
Kaishan Rotary Screw Air Compressor

KRSB 15/20HP Parts Manual

October 2022

Serial numbers ending with U or L

(115PSI/125PIS/150PSI/230V/460V/60HZ/FS/VSD/BELT/ASME/UL)

TABLE OF CONTENTS

Service Parts	3
Serial Number	3
Spare Parts	4
Airend and Inlet valve (15HP).....	5
Airend and Inlet valve (20HP).....	7
Base Mounting.....	9
Reservoir (15HP)	11
Reservoir (20HP)	13
Belt Drive System	15
Air Cooler	17
Fluid Piping (15HP)	19
Fluid Piping (20HP)	21
Air Piping.....	23
Cabinet(Fixed speed).....	25
Cabinet(VSD)	27
Electrical Enclosure (15HP).....	29
Electrical Enclosure (15HP/VSD)	31
Electrical Enclosure (20HP).....	33
Electrical Enclosure (20HP/VSD)	35
Appendix	37
Contact Information	38

Service Parts


The following information must be provided for ordering service parts:

1. The serial number of unit must be provided. It will be verified to ensure correct replacement parts are ordered.
2. Service parts must be ordered from closest authorized distributor.
3. Exact part number, quantity and delivery method must be provided.

All service parts must be ordered through nearest authorized distributor. Insist on genuine manufacturer parts only. Failure to do so may void product warranty.

Serial Number

The unit serial number can be found on serial number tag, which is located on the cabinet corner post of the unit.

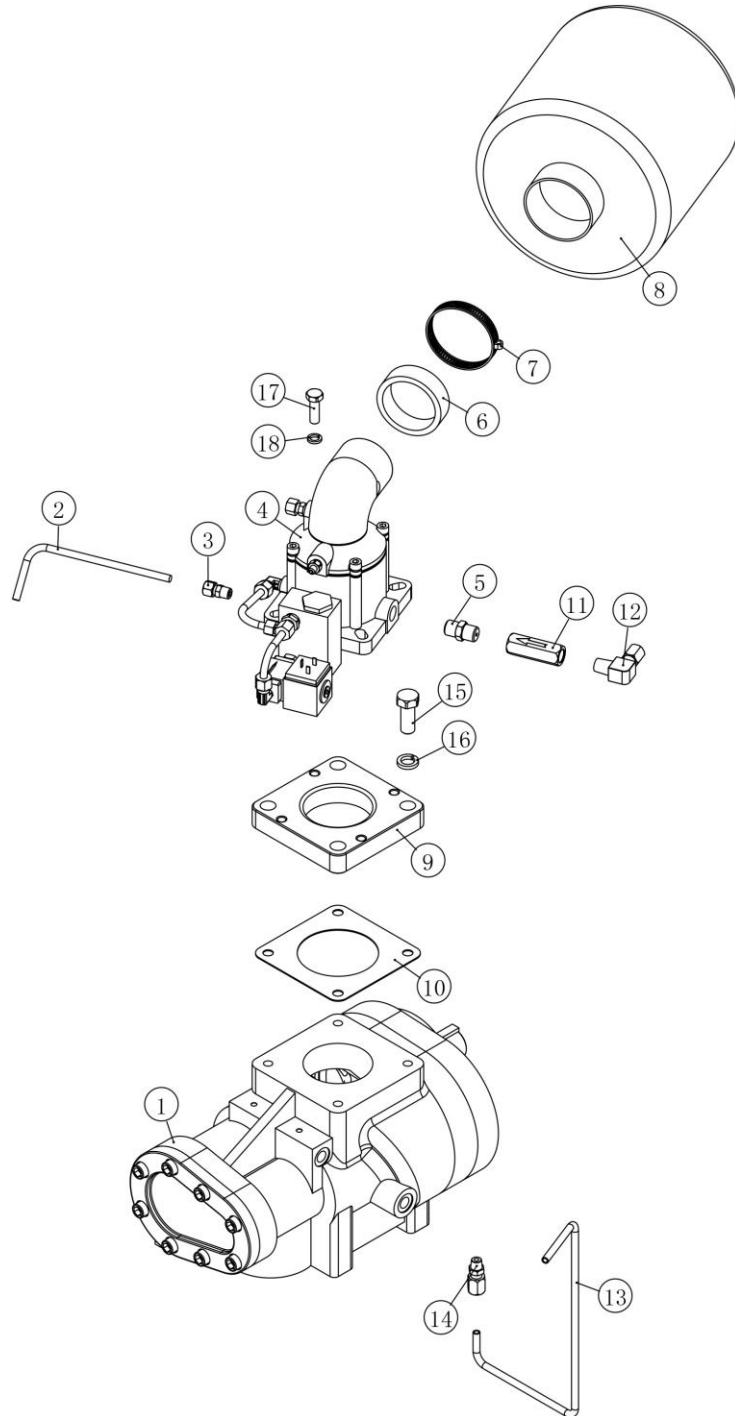
		SCREW AIR COMPRESSOR	
MODEL	<input type="text"/>		
SERIAL NUMBER	<input type="text"/>		
RATED DISCHARGE PRESSURE	<input type="text"/>	PSI	MOTOR POWER <input type="text"/> HP
RATED SPEED	<input type="text"/>	RPM	NET WEIGHT <input type="text"/> KG
OVERAL DIMENSIONS (L x W x H)	MM <input type="text"/>		
VOLTAGE	<input type="text"/>	DATE OF MFG	<input type="text"/>
KAISHAN COMPRESSOR, Daphne, AL USA			

Spare Parts

Recommended spare parts are shown as follows:

ITEM No.	QTY	PART NUMBER	DESCRIPTION		
1	1	07703 01250 00	AIR FILTER ELEMENT		
2	1	07709 94172 00	OIL FILTER		
3	1	07704 40110 26	FLUID/AIR SEPARATOR		

Airend and Inlet valve (15HP)



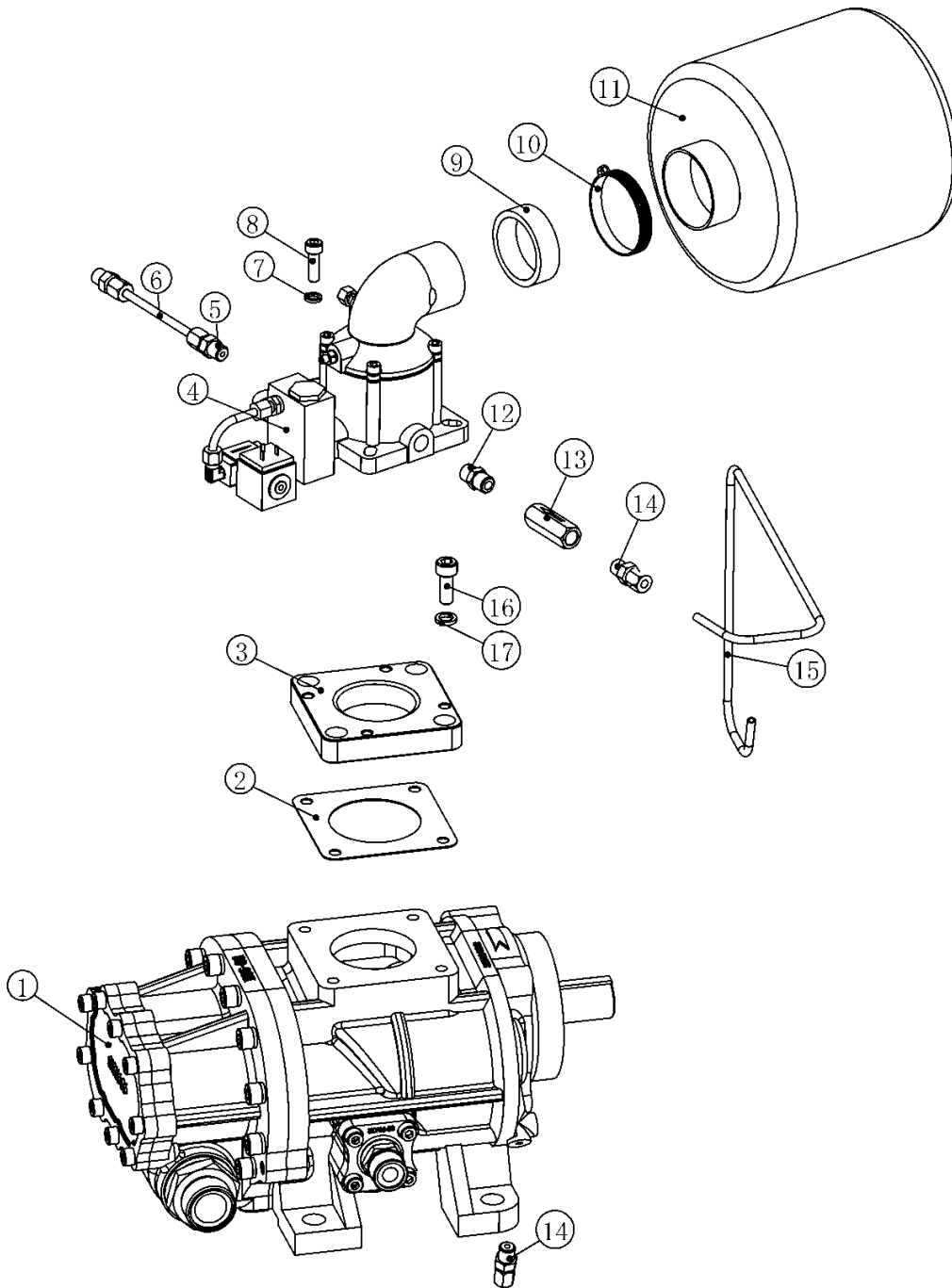
Airend and Inlet valve (15HP)

(GROUP PN:)

NO.	PN	DESCRIPTION	QTY	REMARK
1	07266 05501 00	Airend	1	
2	12316 01001 01	Control pipe	1	
3	01511 06100 00	Joint	2	
4	01608 04011 00	Inlet valve	1	
5	98018 07011 00	Joint	2	
6	13315 01005 00	Connecting ring	1	
7	04401 04607 00	Hoop	1	
8	07702 05087 97	Air filter	1	
9	12315 01001 01	Connecting pipe	1	
10	12315 01002 06	Gasket	1	
11	01610 01000 00	Check valve	1	
12	01513 06130 00	Joint	1	
13	12315 01100 01	Oil pipe	1	
14	01512 06100 00	Joint	1	
15	01365 08000 00	Washer	4	8
16	01344 08020 00	Bolt	4	M8X20
17	01365 08000 00	Washer	4	8
18	01344 08025 00	Bolt	4	M8X30
*19	02809 00102 00	DP switch, air filter	1	
*20	01603 00017 00	Solenoid valve	1	
*21	01605 90264 20	Blowdown valve	1	
*22	04002 00040 00	Inlet valve kit	1	1 Sealer, 1 O-ring 29.82x2.62, 1 Spring A, 1 Spring B, 1 O-ring 82.22x2.62, 1 Piston ring.

Note: * Items not shown on the drawing.

Airend and Inlet valve (20HP)



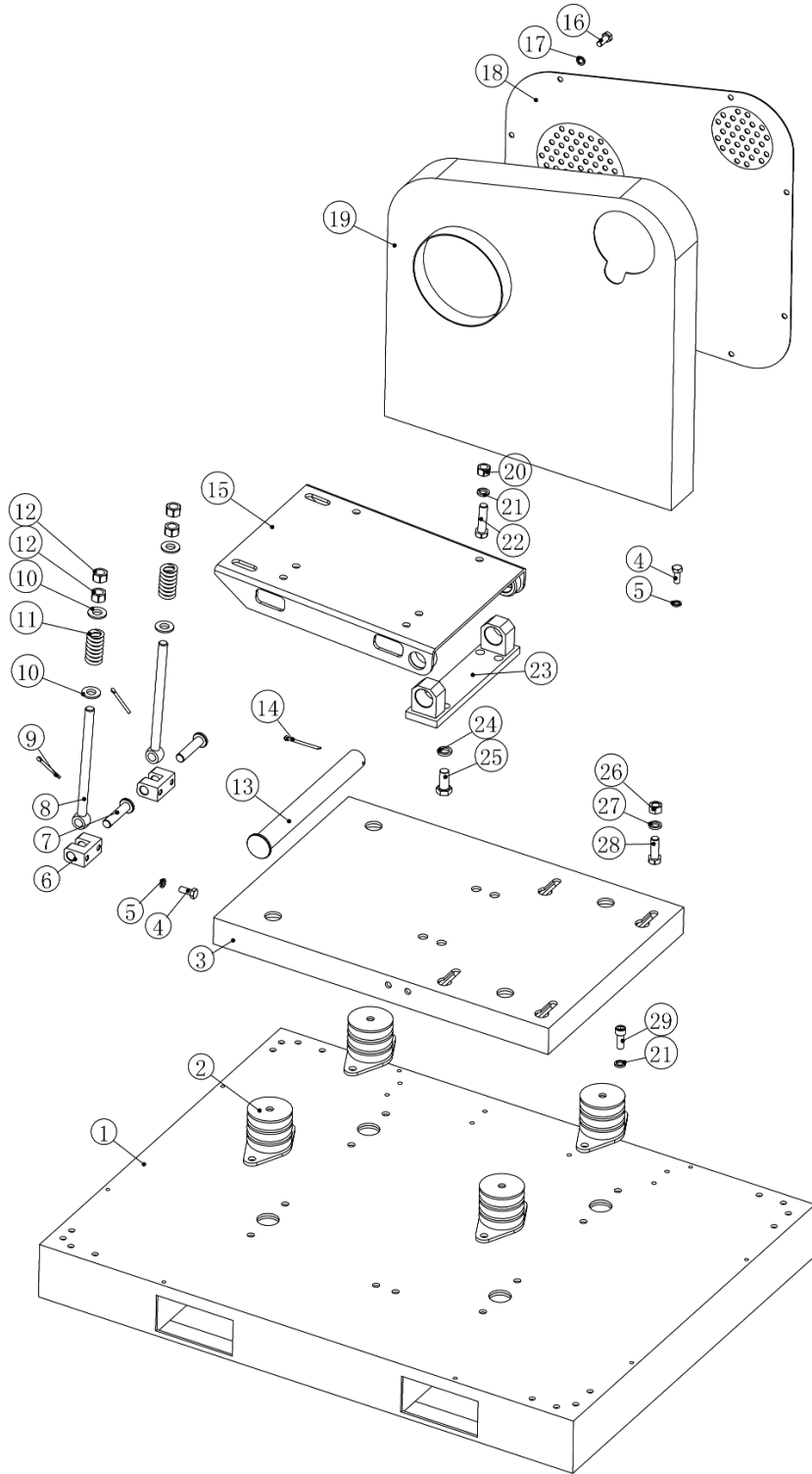
Airend and Inlet valve (20HP)

(GROUP PN:)

NO	PN	DESCRIPTION	QTY	REMARK
1	0570201	Airend	1	
2	12315 01002 01	Gasket	1	
3	14435 01001 05	Flange	1	
4	01608 04011 00	Inlet valve	1	
5	01517 10130 00	Joint	2	
6	12333 01009 00	Control pipe	1	
7	01365 08000 00	Washer	4	8
8	01344 08030 00	Bolt	4	M8X30
9	13315 01005 00	Connecting pipe	1	
10	04401 07109 10	Hoop	1	
11	07702 05087 97	Air filter	1	
12	98018 07011 00	Joint	1	
13	01610 01000 00	Check valve	1	
14	01512 06130 00	Joint	2	
15	12333 01100 00	Control pipe	1	
16	01344 10025 00	Bolt	4	M10X25
17	01365 10000 00	Washer	4	10
*18	02809 00102 00	DP switch, air filter	1	
*20	01603 00017 00	Solenoid valve	1	
*21	01605 90264 20	Blowdown valve	1	
*22	04002 00040 00	Inlet valve kit	1	1 Sealer, 1 O-ring 29.82x2.62, 1 Spring A, 1 Spring B, 1 O- ring 82.22x2.62, 1 Piston ring.

Note: * Items not shown on the drawing.

Base Mounting

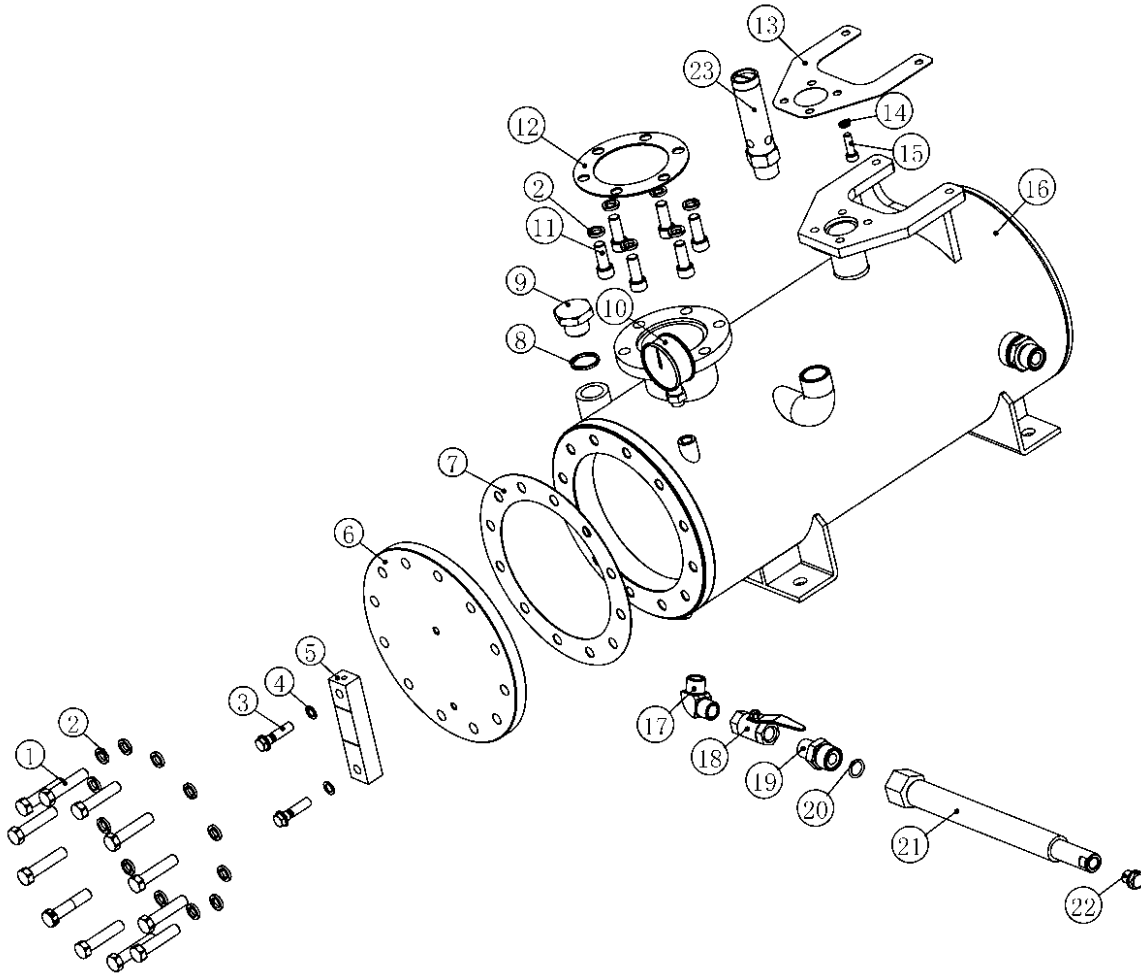


Base Mounting

(GROUP PN:)

NO.	PN	DESCRIPTION	QTY	REMARK
1	12333 02010 00	Base	1	
	12339 02010 00			VSD
2	02905 00001 00	Absorber	4	
3	12333 02030 00	Support	1	
4	01307 10020 00	Bolt	12	M10X20
5	01365 10000 00	Washer	12	10
6	13340 02002 00	Support block	2	
7	13340 02003 00	Pin	2	
8	13323 02001 00	Ball bolt	2	
9	01384 50040 00	Cotter pin	2	5X40
10	13323 02003 0	Washer	4	
11	13323 02002 00	Spring	2	
12	01322 16000 00	Nut	4	M16
13	12333 02004 00	Pin	1	
14	01384 50050 00	Cotter pin	1	5X50
15	12333 02020 02	Motor support	1	
16	01307 08016 00	Bolt	4	M8X15
17	01365 08000 00	Washer	4	8
18	12333 02009 00	Safety net cover	1	20HP
	11333 02009 00			15HP
19	12333 02008 00	Safety guard	1	20HP
	11333 02008 00			15HP
20	01322 14000 00	Nut	4	M14
21	01365 12000 00	Washer	16	12
22	01307 14055 00	Bolt	4	M14X55
23	12333 02005 00	Support block	1	
24	01365 16000 00	Washer	4	16
25	01307 16025 00	Bolt	4	M16X25
26	01322 14000 00	Nut	4	M14
27	01365 14000 00	Washer	4	14
28	01306 14040 00	Bolt	4	M14X40
29	01344 12025 00	Bolt	12	M12X25

Reservoir (15HP)

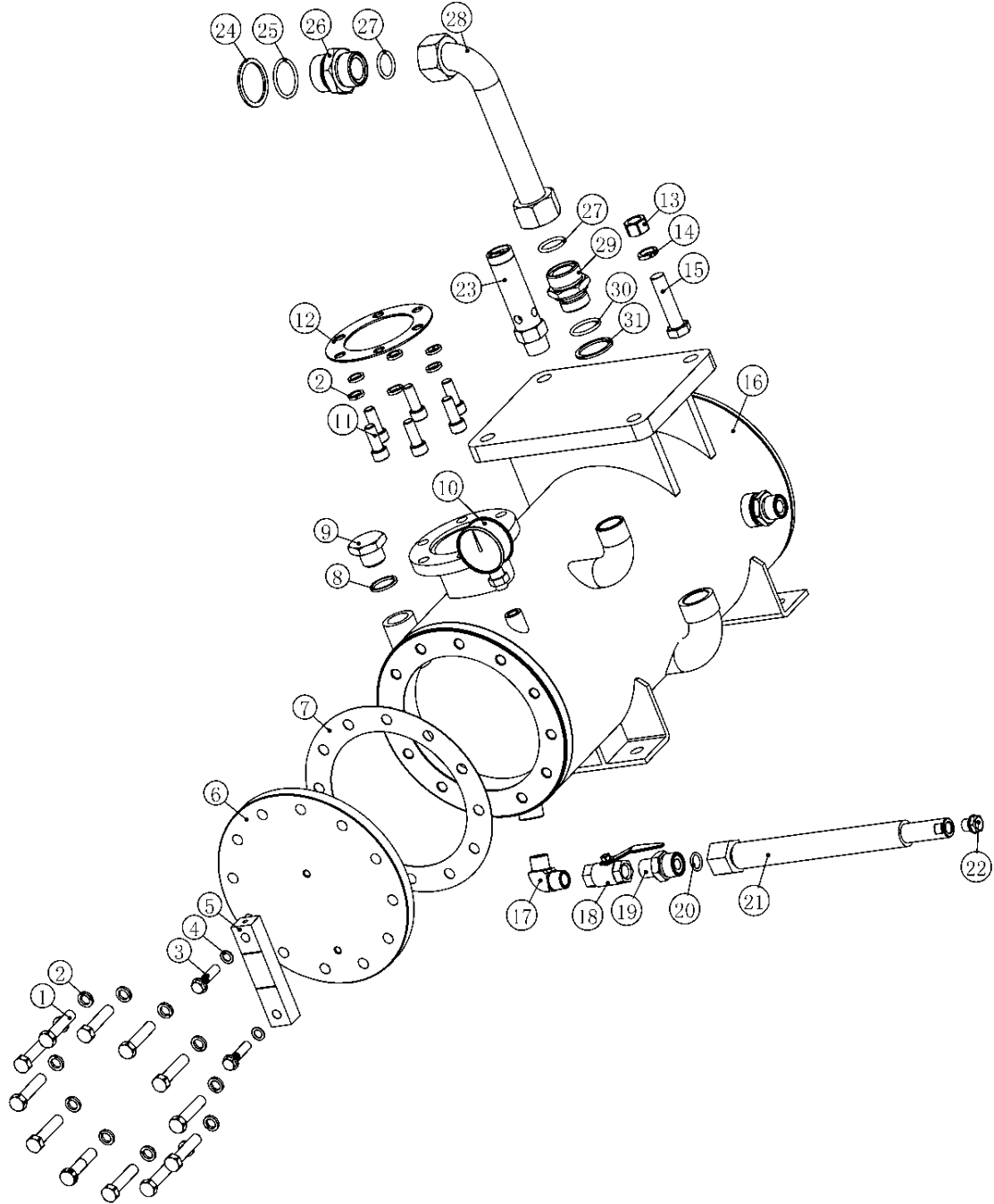


Reservoir (15HP)

(GROUP PN:)

NO.	PN	DESCRIPTION	QTY	REMARK
1	01306 12040 00	Bolt	12	M12X40
2	01365 12000 00	Washer	18	12
3	13315 03001 00	Hollow bolt	2	M10X40
4	02901 01060 10	O-ring	4	10. 6X1. 8
5	13315 03002 00	Oil sight glass	1	
6	12315 03011 40	Cover	1	
7	12315 03011 36	Gasket	1	
8	01534 27000 00	Bonded washer	1	27
9	01535 27200 00	Plug	1	M27X2
10	02801 06306 00	Pressure gauge	1	
11	01344 12030 00	Bolt	6	M12X30
12	12315 03003 06	Flange gasket	1	
13	12315 03001 06	Gasket	1	
14	01365 08000 00	Washer	6	8
15	01344 08025 00	Bolt	6	M8X25
16	11333 03010 00	Fluid/air separator	1	
17	99121 03002 00	Elbow	1	
18	01613 01500 00	Ball valve	1	
19	13315 03006 00	Joint	1	
20	02901 01060 10	O-ring	1	16X2. 65
21	12333 03002 00	Drain pipe	1	
22	13315 03005 00	Plug	1	
23	/	Safety valve	1	UL

Reservoir (20HP)

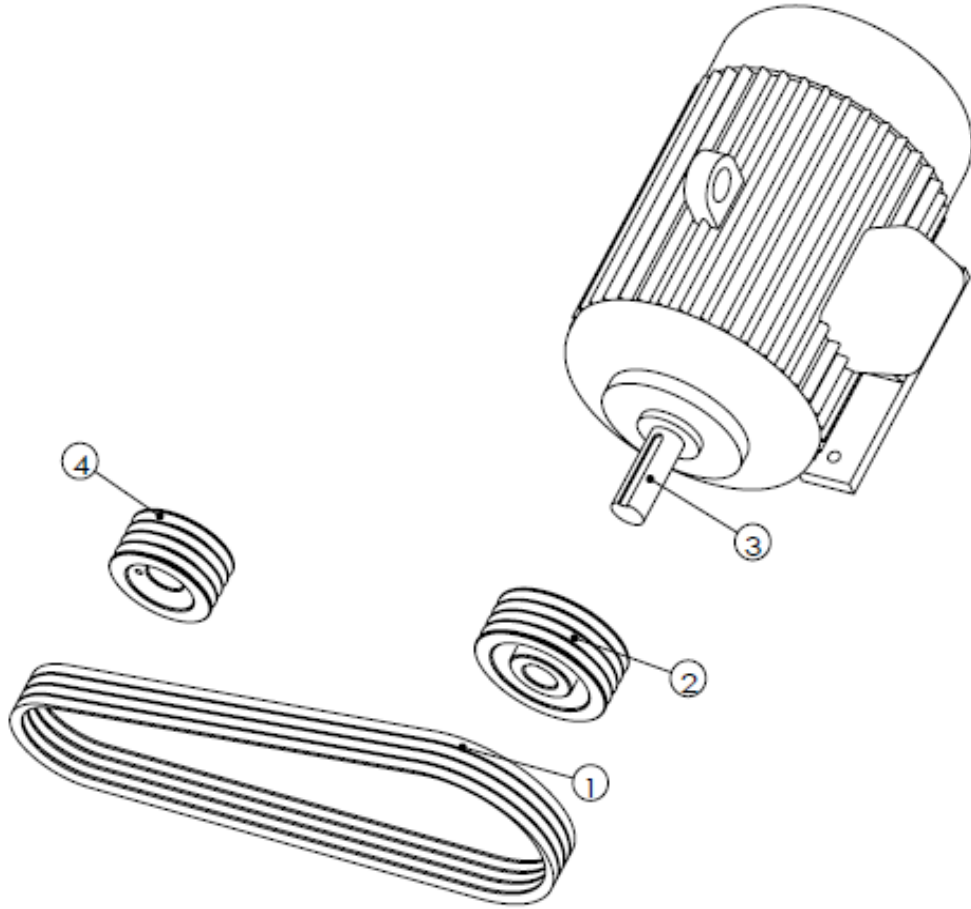


Reservoir (20HP)

(GROUP PN:)

NO.	PN	DESCRIPTION	QTY	REMARK
1	01310 12040 00	Bolt	12	M12X40
2	01365 12000 00	Washer	18	12
3	13315 03001 00	Hollow bolt	2	M10X40
4	02901 01060 10	O-ring	4	10. 6X1. 8
5	13315 03002 00	Oil sight glass	1	
6	12315 03011 40	Cover	1	
7	12315 03011 36	Gasket	1	
8	01534 27000 00	Bonded washer	1	27
9	01535 27200 00	Plug	1	M27X2
10	02801 06306 00	Pressure gauge	1	
11	01344 12030 00	Bolt	6	M12X30
12	12315 03003 06	Flange gasket	1	
13	01322 16000 00	Nut	4	M16
14	01365 16000 00	Washer	4	16
15	01307 16065 00	Bolt	4	M16X65
16	12333 03010 00	Fluid/air separator	1	
17	99121 03002 00	Elbow	1	
18	01613 01500 00	Ball valve	1	
19	13315 03006 00	Joint	1	
20	02901 01060 10	O-ring	1	16X2. 65
21	12333 03002 00	Drain pipe	1	
22	13315 03005 00	Plug	1	
23	/	Safety valve	1	UL
24	02201 00015 00	Screw washer	1	
25	02907 03870 30	O-ring	1	38. 7X3. 55
26	98018 06006 00	Joint	1	
27	02901 02580 30	O-ring	2	25. 8X3. 55
28	12333 03001 00	Fluid/air pipe	1	
29	13315 07003 09	Joint	1	
30	02901 03000 30	O-ring	1	30X3. 55
31	02201 00025 00	Screw washer	1	

Belt Drive System



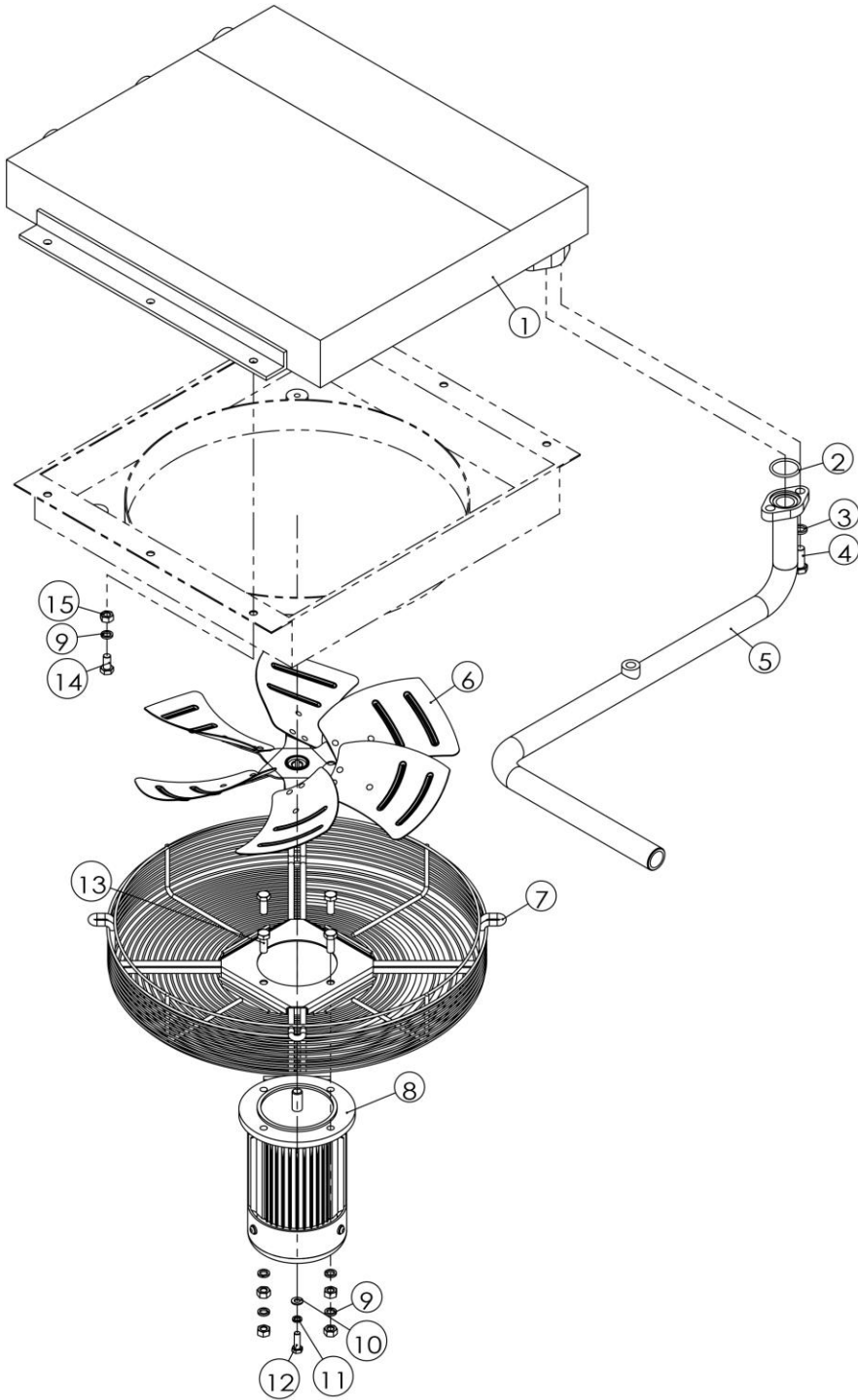
Belt Drive System

(GROUP PN:)

NO.	PN	DESCRIPTION	QTY	REMARK
1	01808 01112 00	BELT	4	15-115/175 Psi
	01808 01137 01			15-125 Psi
	01808 01187 00			15-150 Psi
	01808 01087 01			20-115/150/175 Psi
	01808 01120 00			20-125 Psi
2	01812 16040 42	MOTOR SHEAVE	1	15-115/125 Psi
	01812 17040 42			15-150 Psi
	01812 15040 42			15-175 Psi
	01812 12540 42			20-115/125/150 Psi
	01812 11840 42			20-175 Psi
3	62011 36631 25	MOTOR	1	15HP/230V/460V
	/			15HP/460V/VSD
	62015 36631 25			20HP/230V/460V
	/			20HP/460V/VSD
4	01812 08540 28	AIREND SHEAVE	1	15-115 Psi
	01812 09540 28			15-125 Psi
	01812 11240 28			15-150/175 Psi
	01812 10040 30			20-115 Psi
	01812 10640 30			20-125 Psi
	01812 11840 30			20-150 Psi
	*			20-175 Psi

*Consult factory.

Air Cooler

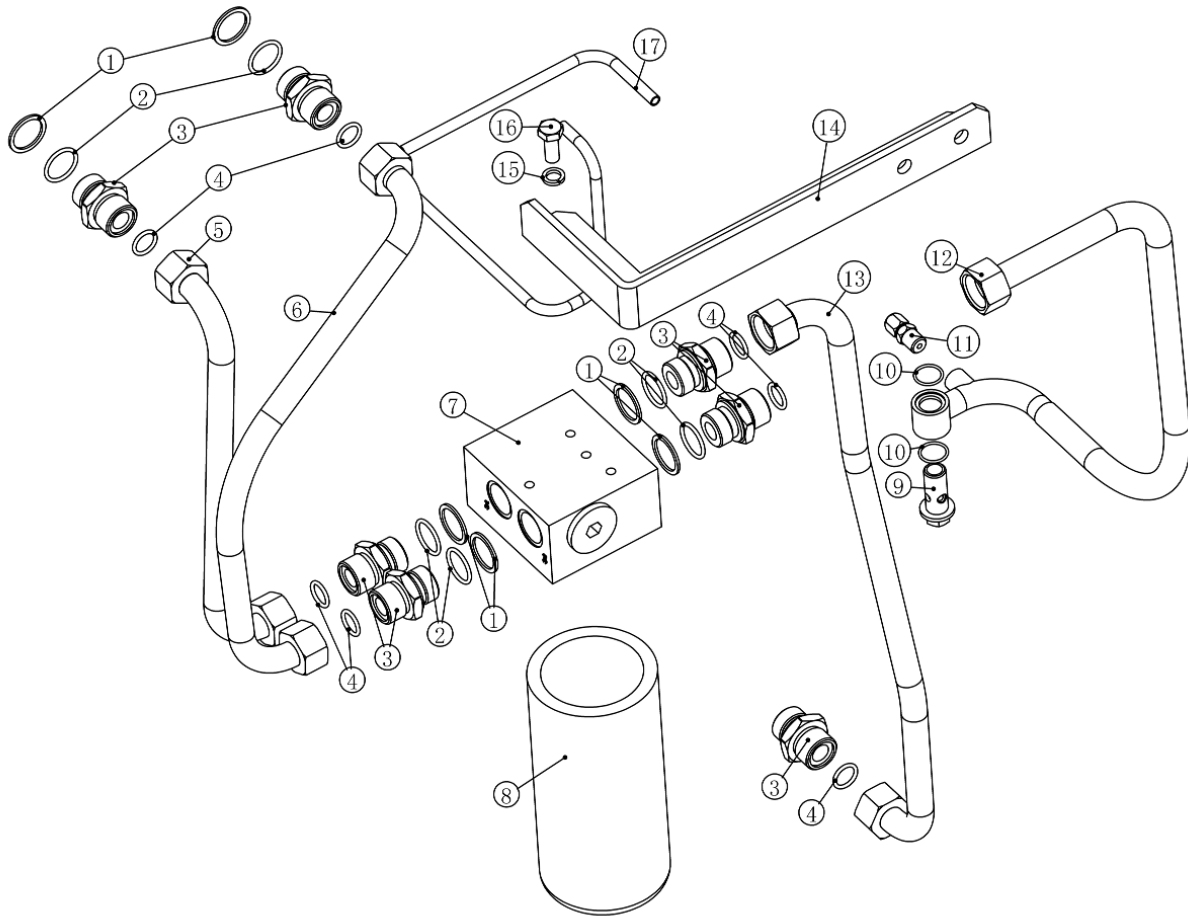


Air Cooler

(GROUP PN:)

NO.	PN	DESCRIPTION	QTY	REMARK
1	12333 05010 00	Cooler	1	
2	02901 03550 30	O-ring	1	35.5X3.55
3	01365 12000 00	Washer	2	12
4	01307 12030 00	Bolt	2	M12X30
5	12333 05001 00	Connecting pipe	1	
	12339 05001 00			VSD
6	07204 45005 00	Fan blade	1	
7	07205 00450 01	Net guard	1	
8	64137 36651 21	Motor	1	0.37KW/230V/460V
9	01365 10000 00	Washer	10	10
10	01366 08000 00	Washer	4	8
11	01365 08000 00	Washer	4	8
12	01307 08025 00	Bolt	4	M8X25
13	01307 10025 00	Bolt	10	M10X25
14	01307 10020 00	Bolt	6	M10X25
15	01322 10000 00	Nut	10	M10

Fluid Piping (15HP)



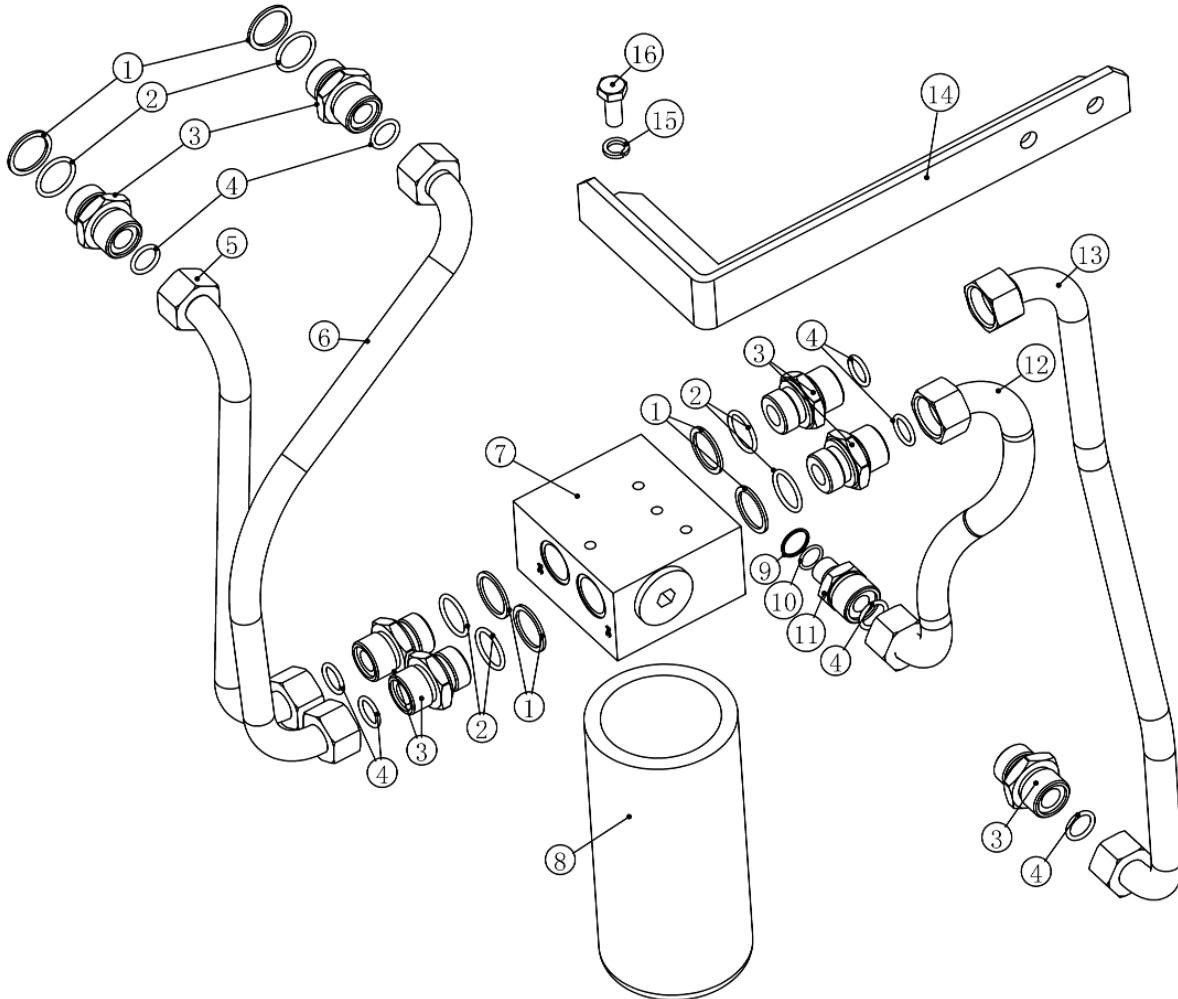
Fluid Piping (15HP)

(GROUP PN:)

NO.	PN	DESCRIPTION	QTY	REMARK
1	02201 00020 00	Screw washer	7	
2	02901 02360 20	O-ring	7	23. 6X2. 65
3	12315 06004 09	Joint	7	
4	02901 01600 20	O-ring	8	16X2. 65
5	12333 06004 00	Oil pipe	1	FS
	12339 06004 00			VSD
6	12333 06003 00	Oil pipe	1	FS
	12339 06003 00			VSD
7	01611 02083 01	Thermal valve	1	
8	07709 94172 00	Oil filter	1	
9	12315 06003 01	Hollow bolt	1	
10	02901 01800 10	O-ring	2	18X1. 8
11	01523 08670 00	Joint	2	
12	11333 06001 00	Oil pipe	1	
13	12333 06002 00	Oil pipe	1	
14	13333 06001 00	Oil filter support	1	
15	01307 08025 00	Bolt	2	M8X25
16	01365 08000 00	Washer	2	8
17	11333 06005 00	Oil pipe	1	
*18	04004 20083 02	Thermal valve kit	1	1 O-ring 38x3, 1 Valve element, 1 Sleeve, 1 Spring.

Note: * Items not shown on the drawing.

Fluid Piping (20HP)



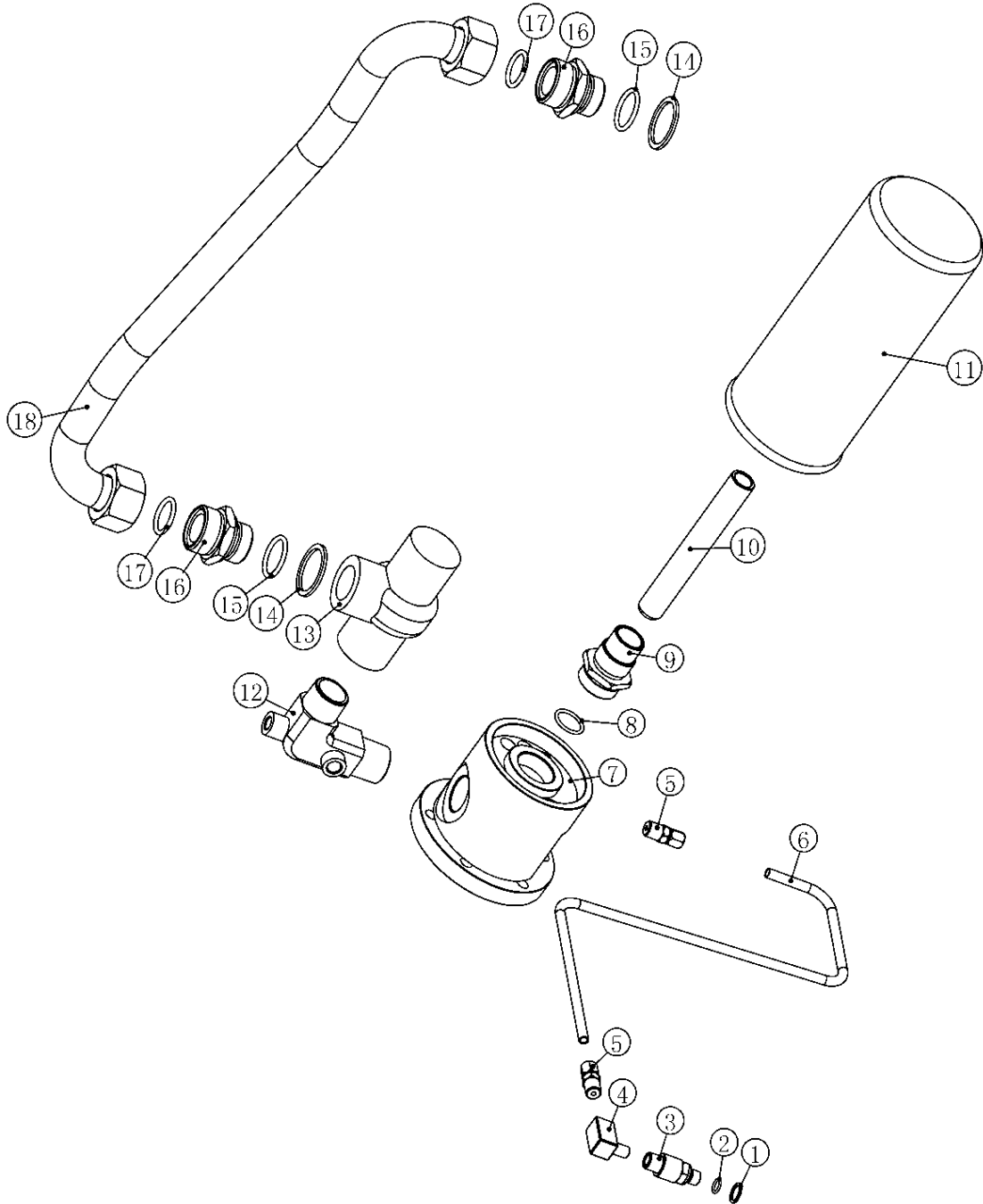
Fluid Piping (20HP)

(GROUP PN:)

NO.	PN	DESCRIPTION	QTY	REMARK
1	02201 00020 00	Screw washer	7	
2	02901 02360 20	O-ring	7	23. 6X2. 65
3	12315 06004 09	Joint	7	
4	02901 01600 20	O-ring	8	16X2. 65
5	12333 06004 00	Oil pipe	1	FS
	12339 06004 00			VSD
6	12333 06003 00	Oil pipe	1	FS
	12339 06003 00			VSD
7	01611 02083 01	Thermal valve	1	
8	07709 94172 00	Oil filter	1	
9	02901 01400 10	O-ring	1	14X1. 8
10	02201 01615 02	Screw washer	1	
11	12404 06005 00	Joint	1	
12	12333 06001 00	Oil pipe	1	
13	12333 06002 00	Oil pipe	1	
14	13333 06001 00	Oil filter support	1	
15	01307 08025 00	Bolt	2	M8X25
16	01365 08000 00	Washer	2	8
*17	04004 20083 02	Thermal valve kit	1	1 O-ring 38x3, 1 Valve element, 1 Sleeve, 1 Spring.

Note: * Items not shown on the drawing.

Air Piping



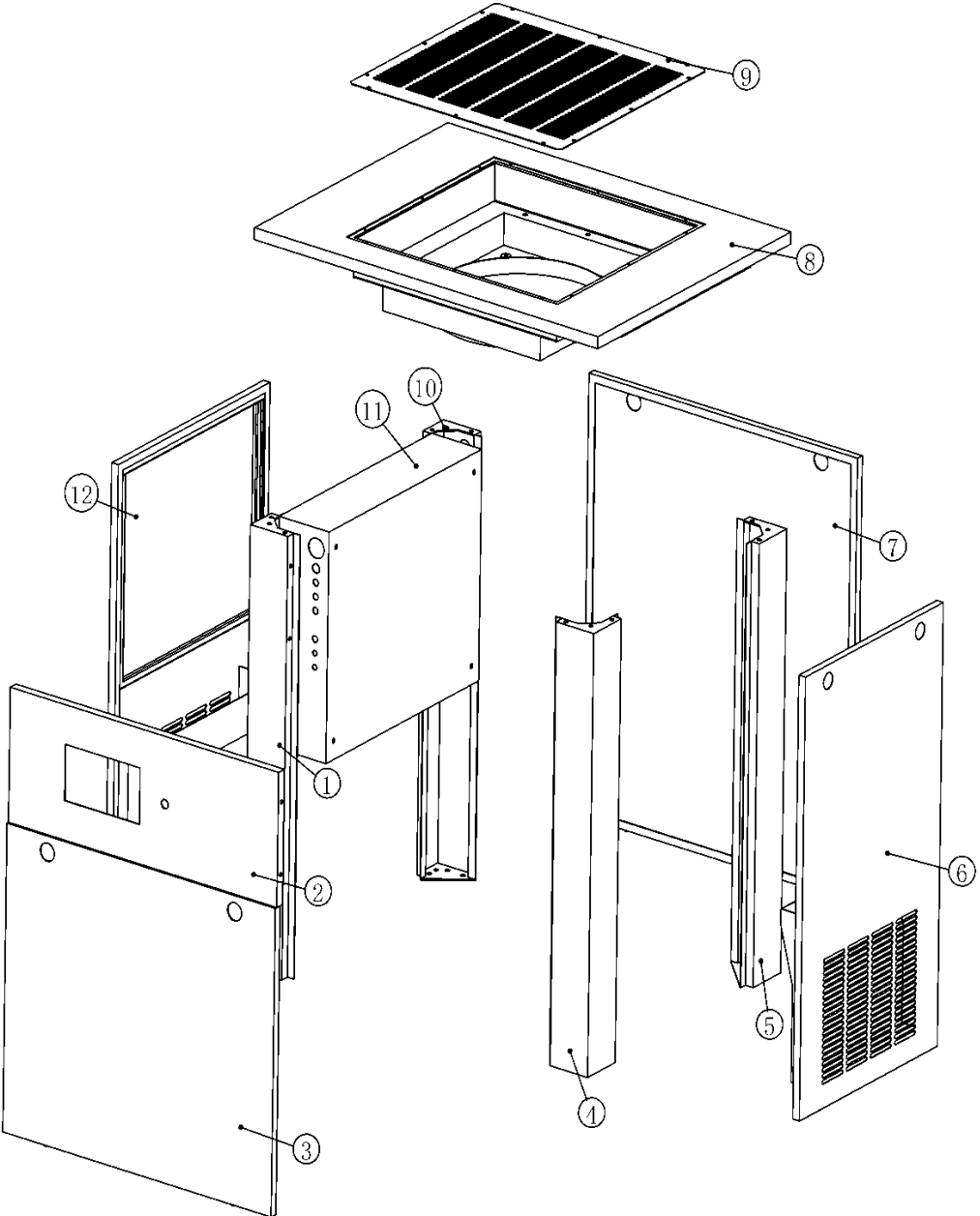
Air Piping

(GROUP PN:)

NO.	PN	DESCRIPTION	QTY	REMARK
1	02201 01215 00	Screw washer	3	
2	02901 00950 10	O-ring	3	9.5X1.8
3	01610 01010 01	Oil sight check valve	1	
4	99131 07007 00	Elbow	1	
5	01523 08670 00	Joint	2	
6	12333 07003 00	Oil return pipe	1	
7	12315 07001 00	Separator support	1	
8	02901 02240 20	O-ring	1	22.4X2.65
9	12315 07002 00	Plug	1	
10	12315 07003 00	Pipe	1	
11	07704 40110 26	Rotary fluid/air separator	1	
12	12333 07002 00	Joint	1	
13	01612 02503 00	MPV	1	MPVLC25C
14	02901 03000 30	O-ring	2	30X3.55
15	02201 00025 00	Screw washer	2	
16	13315 07003 09	Joint	2	
17	02901 02580 30	O-ring	2	25.8X3.55
18	12333 07001 00	Discharge pipe	1	FS
	12339 07001 00			VSD
*19	04006 02503 00	Kit for MPV	1	1 Check valve element, 1 Spring A, 1 Valve element, 1 O-ring 25.07x2.62, 1 O-ring 39x3, 1 Spring B.

Note: * Items not shown on the drawing.

Cabinet(Fixed speed)

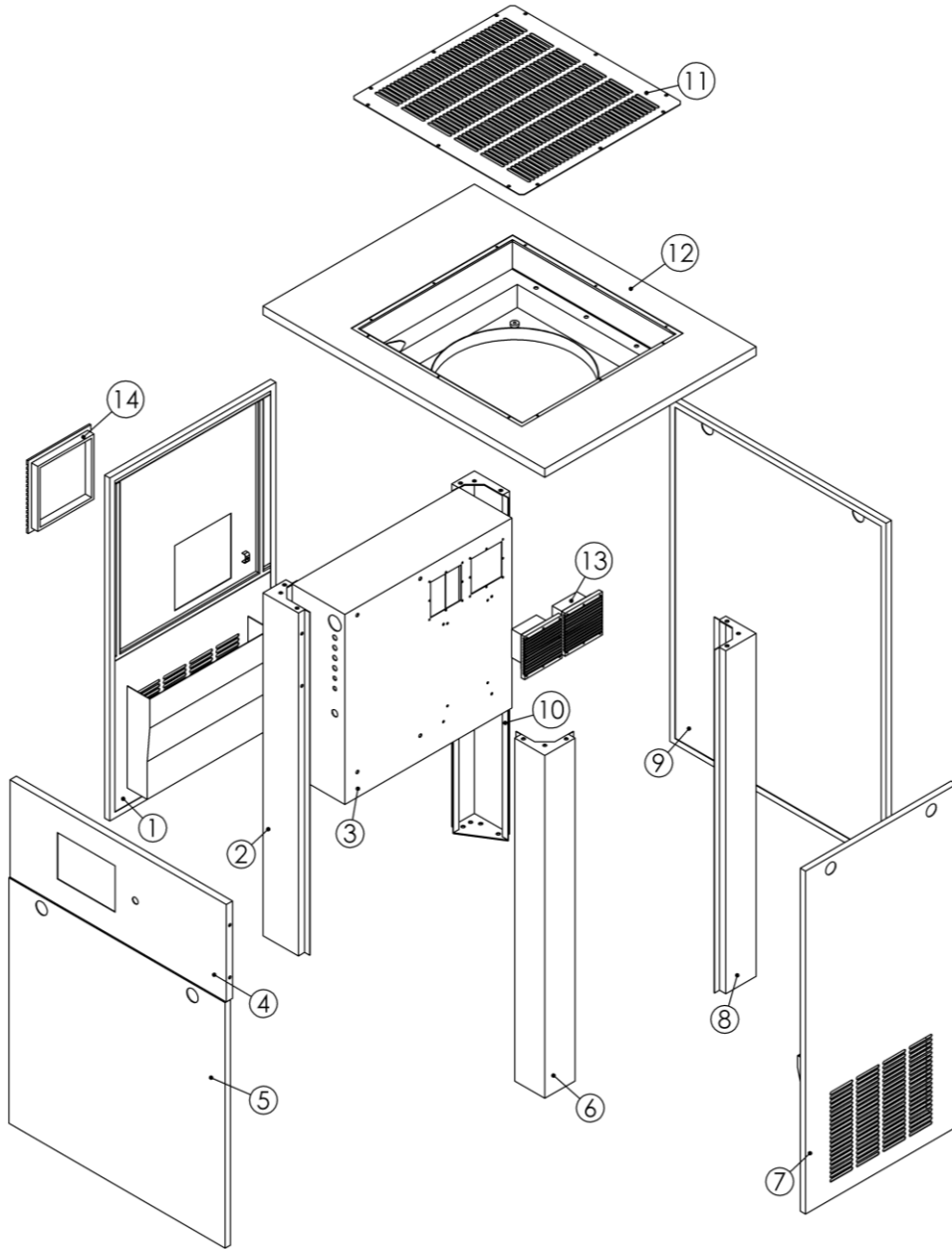


Cabinet(Fixed speed)

(GROUP PN:)

NO.	PN	DESCRIPTION	QTY	REMARK
1	12333 08001 00	Support	1	
2	12333 08004 00	Panel	1	
3	12333 08002 00	Door	1	
4	12333 08003 00	Support	1	
5	12333 08100 00	Support	1	
6	12333 08009 00	Door	1	
7	12333 08110 00	Door	1	
8	12333 08005 00	Top cover	1	
9	12333 08120 00	Top net cover	1	
10	12333 08008 00	Support	1	
11	12333 08006 00	Electric cabinet	1	
12	12333 08007 00	Door	1	

Cabinet(VSD)

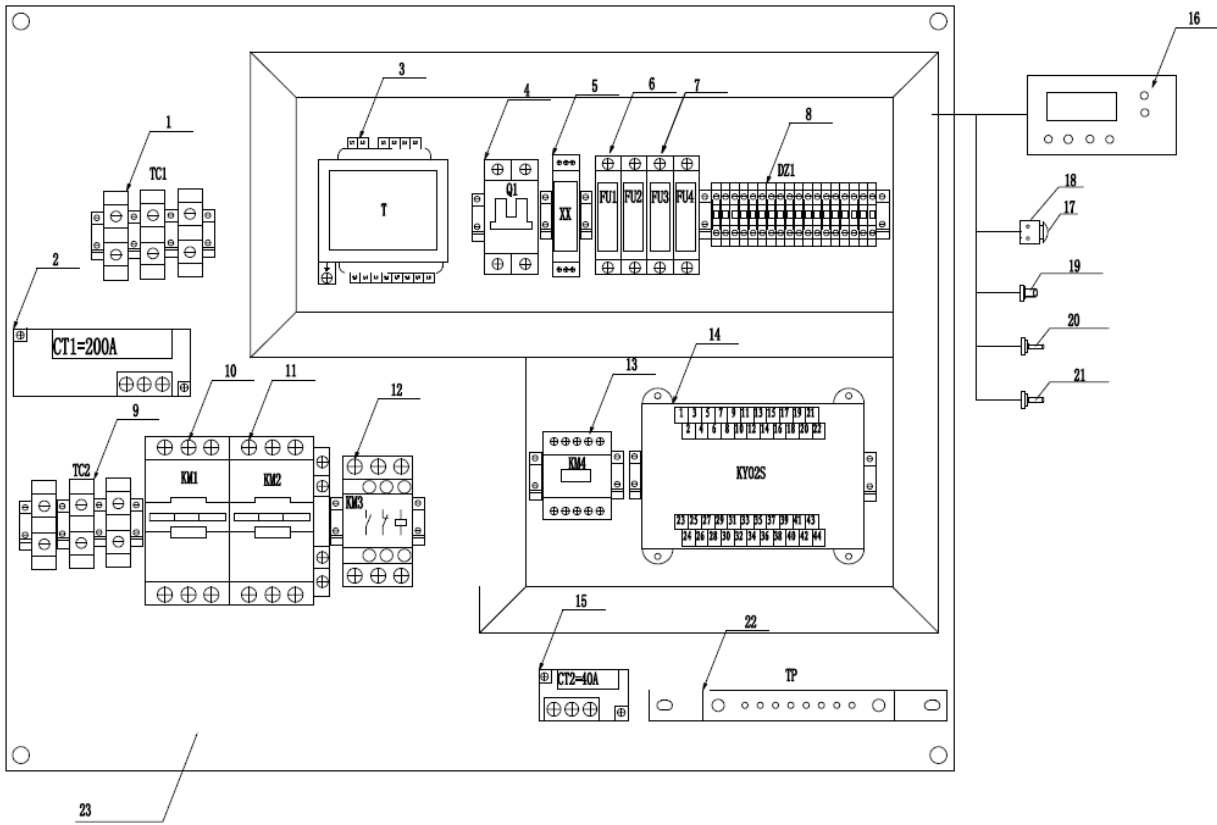


Cabinet(VSD)

(GROUP PN:)

NO.	PN	DESCRIPTION	QTY	REMARK
1	12339 08007 00	Door	1	
2	12339 08001 00	Support	1	
3	12339 08006 00	Electric cabinet	1	
4	12339 08004 00	Panel	1	
5	12339 08002 00	Door	1	
6	12339 08003 00	Support	1	
7	12339 08009 00	Door	1	
8	12339 08100 00	Support	1	
9	12339 08110 00	Door	1	
10	12339 08008 00	Support	1	
11	12333 08120 00	Top net cover	1	
12	12339 08005 00	Top cover	1	
13	07706 98030 00	Fan and filter	2	
14	07706 77253 00	Filter net	1	

Electrical Enclosure (15HP)



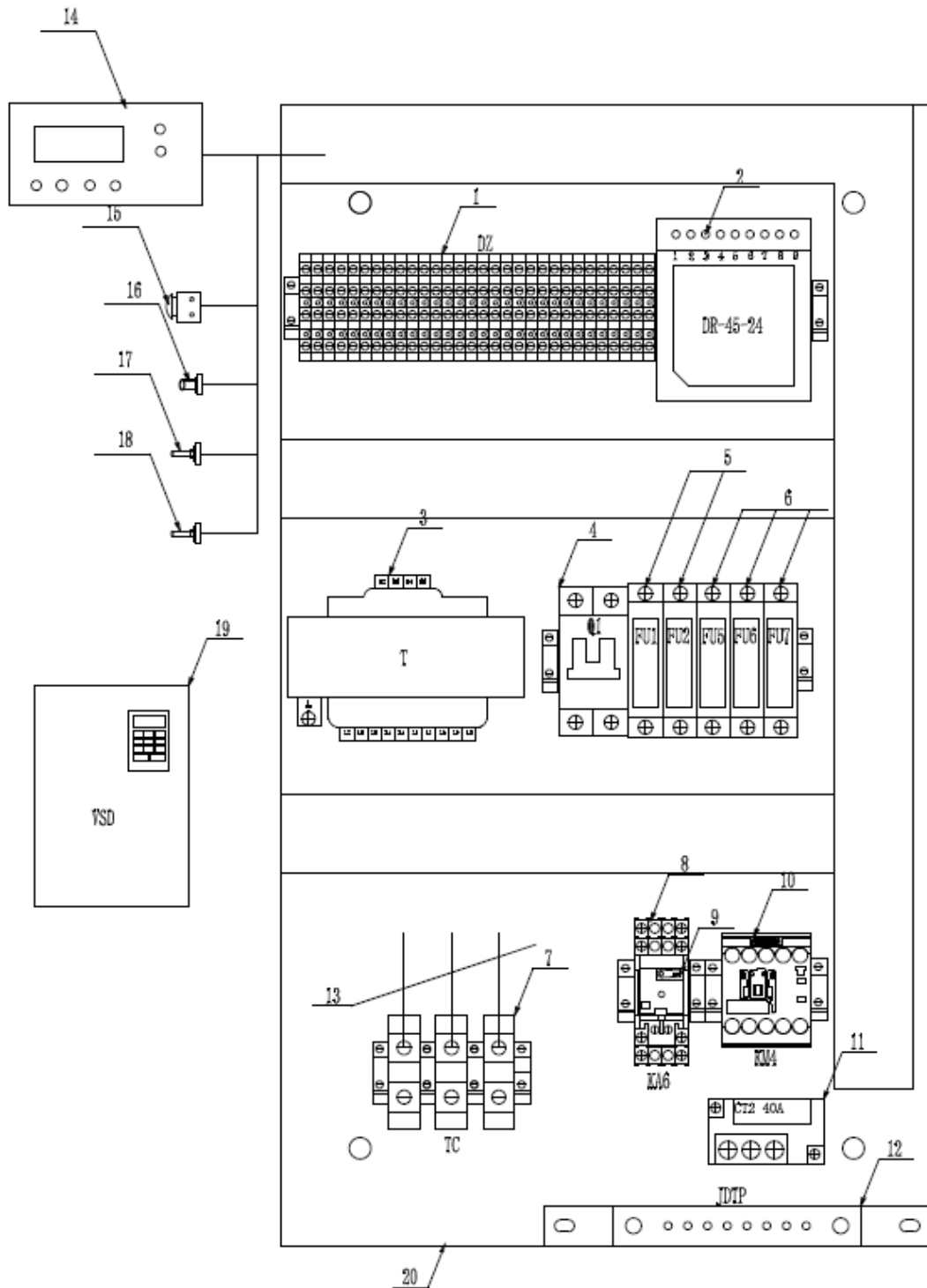
Electrical Enclosure (15HP)

(GROUP PN:)

NO.	PN	DESCRIPTION	QTY	REMARK
1	08703 00035 00	TERMINAL BLOCK	3	TC1
2	02824 00200 00	MOTOR CURRENT TRANSFORMER	1	CT1
3	02818 01000 10	TRANSFORMER	1	T
4	02819 06526 00	BREAKER	1	Q1
5	02814 00080 00	PHASE MONITOR	1	XX
6	02820 00001 00	FUSE BLOCK	2	FU1-FU2
7	02820 00001 00	FUSE BLOCK	2	FU3-FU4
8	08703 00004 00	TERMINAL	18	DZ
9	08703 00035 00	TERMINAL BLOCK	3	TC2
10	02825 00341 00	CONTACTOR	1	KM1
11	02825 00341 00	CONTACTOR	1	KM2
12	02825 60025 01	CONTACTOR	1	KM3
13	02825 60038 00	CONTACTOR	1	KM4
14	02811 00210 55	CONTROLLER	1	PLC
15	02824 20040 00	FAN MOTOR CURRENT TRANSFORMER	1	CT2
16	02815 00202 02	CONTROL PANEL	1	XSQ
17	02827 04844 00	EMERGENCY BUTTON	1	JT
18	02827 04104 00	EMERGENCY BUTTON BASE	1	JT
19	02810 00016 00	PRESSURE SENSOR	1	DP
20	02810 10004 00	TEMP. SENSOR, AIR OUTLET	1	DT
21	02810 10004 00	TEMP. SENSOR	1	ST
22	02829 32020 60	GROUNDING COPPER BAR	1	JDTP
23	12415 09008 02	ELECTRIC PLATE	1	DKB
*24	02821 10002 00	FUSE	2	FU1-FU2
*25	02821 10002 00	FUSE	2	FU3-FU4

Note: * Items are not shown on the drawing.

Electrical Enclosure (15HP/VSD)



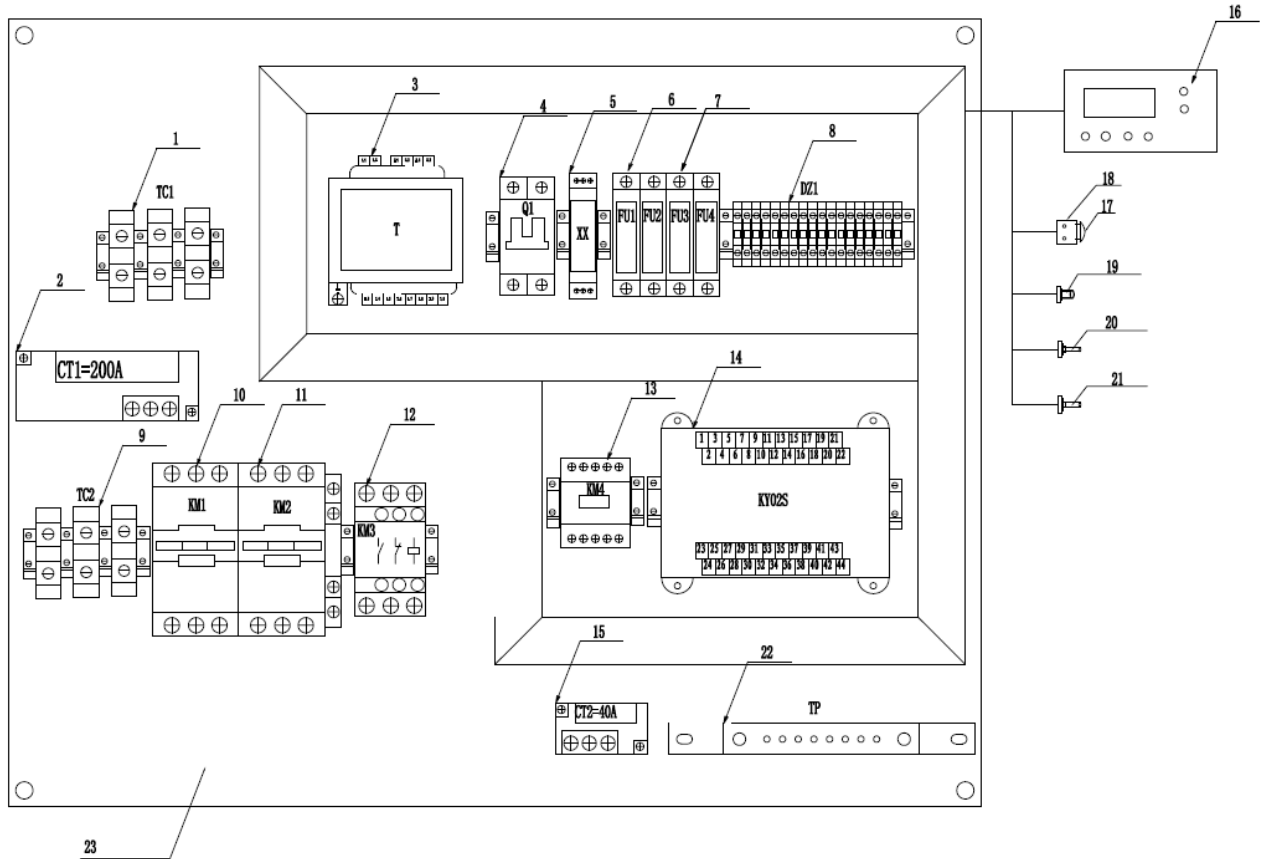
Electrical Enclosure (15HP/VSD)

(GROUP PN:)

NO.	PN	DESCRIPTION	QTY	REMARK
1	08703 00004 00	TERMINAL BLOCK	30	DZ
2	02808 04524 00	POWER SWITCH	1	DR
3	02818 03150 10	TRANSFORMER	1	T
4	02819 06526 00	BREAKER	1	Q1
5	02820 00001 00	FUSE BLOCK	2	FU1-FU2
6	02820 00001 00	FUSE BLOCK	3	FU5-FU7
7	08703 00035 00	TERMINAL BLOCK	3	TC
8	02814 00002 00	INTERMEDIA RELAY SEAT	1	KA6
9	02814 01102 00	INTERMEDIA RELAY HEAD	1	KA6
10	02825 60038 00	FAN MOTOR CONTACTOR	1	KM4
11	02824 20040 00	FAN MOTOR CURRENT TRANSFORMER	1	CT2
12	02829 32020 60	GROUNDING COPPER BAR	1	JDTP
13	08704 10006 00	CABLE	1.8M	BVR
14	02811 15151 47	CONTROL PANEL	1	XSQ
15	02827 04844 00	EMERGENCY BUTTON	1	JT
	02827 04104 00	EMERGENCY BUTTON BASE	1	
16	02810 00016 00	PRESSURE SENSOR	1	DP
17	02810 10004 00	TEMP. SENSOR	1	DT
18	02810 10004 00	TEMP. SENSOR	1	ST
19	02828 50031 00	INVERTER	1	VSD
20	11423 09008 02	ELECTRIC PLATE	1	DKB
*21	02821 10006 00	FUSE	2	FU1-FU2
*22	02821 10002 00	FUSE	3	FU5-FU7

Note: * Items are not shown on the drawing.

Electrical Enclosure (20HP)



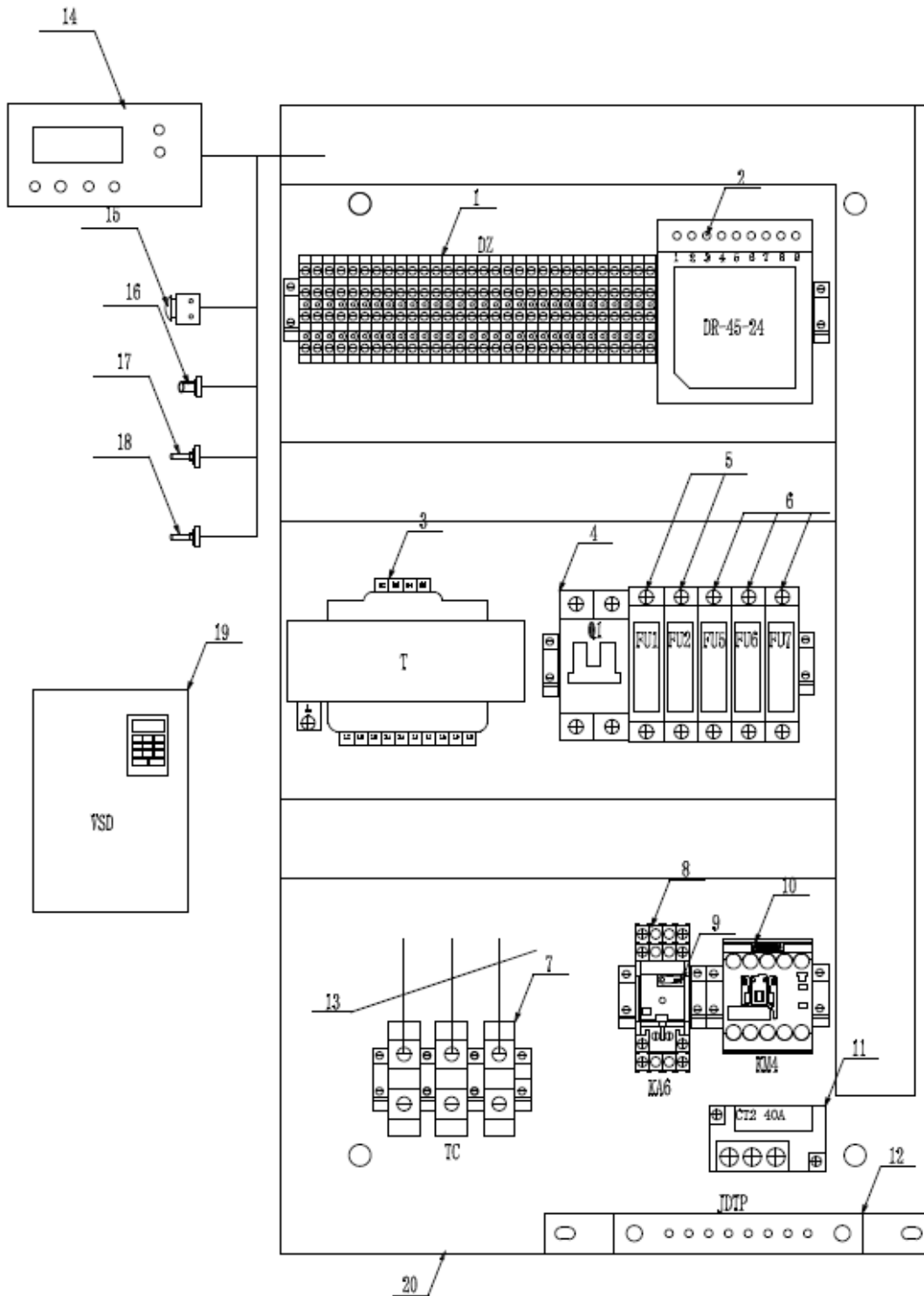
Electrical Enclosure (20HP)

(GROUP PN:)

NO.	PN	DESCRIPTION	QTY	REMARK
1	08703 00035 00	TERMINAL BLOCK	3	TC1
2	02824 00200 00	MOTOR CURRENT TRANSFORMER	1	CT1
3	02818 01000 10	TRANSFORMER	1	T
4	02819 06526 00	BREAKER	1	Q1
5	02814 00080 00	PHASE MONITOR	1	XX
6	02820 00001 00	FUSE BLOCK	2	FU1-FU2
7	02820 00001 00	FUSE BLOCK	2	FU3-FU4
8	08703 00004 00	TERMINAL	18	DZ
9	08703 00035 00	TERMINAL BLOCK	3	TC2
10	02825 60040 01	CONTACTOR	1	KM1
11	02825 60040 01	▷ CONTACTOR	1	KM2
12	02825 60025 01	Y CONTACTOR	1	KM3
13	02825 60038 00	FAN MOTOR CONTACTOR	1	KM4
14	02811 00210 55	CONTROLLER	1	PLC
15	02824 20040 00	FAN MOTOR CURRENT TRANSFORMER	1	CT2
16	02815 00202 02	CONTROL PANEL	1	XSQ
17	02827 04844 00	EMERGENCY BUTTON	1	JT
18	02827 04104 00	EMERGENCY BUTTON BASE	1	JT
19	02810 00016 00	PRESSURE SENSOR	1	DP
20	02810 10004 00	TEMP. SENSOR, AIR OUTLET	1	DT
21	02810 10004 00	TEMP. SENSOR	1	ST
22	02829 32020 60	GROUNDING COPPER BAR	1	JDTP
23	12415 09008 02	ELECTRIC PLATE	1	DKB
*24	02821 10002 00	FUSE	2	FU1-FU2
*25	02821 10002 00	FUSE	2	FU3-FU4

Note: * Items are not shown on the drawing.

Electrical Enclosure (20HP/VSD)



Electrical Enclosure (20HP/VSD)

(GROUP PN:)

NO.	PN	DESCRIPTION	QTY	REMARK
1	08703 00004 00	TERMINAL BLOCK	30	DZ
2	02808 04524 00	POWER SWITCH	1	DR
3	02818 03150 10	TRANSFORMER	1	T
4	02819 06526 00	BREAKER	1	Q1
5	02820 00001 00	FUSE BLOCK	2	FU1-FU2
6	02820 00001 00	FUSE BLOCK	3	FU5-FU7
7	08703 00035 00	TERMINAL BLOCK	3	TC
8	02814 00002 00	INTERMEDIA RELAY SEAT	1	KA6
9	02814 01102 00	INTERMEDIA RELAY HEAD	1	KA6
10	02825 60038 00	FAN MOTOR CONTACTOR	1	KM4
11	02824 20040 00	FAN MOTOR CURRENT TRANSFORMER	1	CT2
12	02829 32020 60	GROUNDING COPPER BAR	1	JDTP
13	08704 08010 00	CABLE	1.8M	BVR
14	02811 15151 47	CONTROL PANEL	1	XSQ
15	02827 04844 00	EMERGENCY BUTTON	1	JT
	02827 04104 00	EMERGENCY BUTTON BASE	1	
16	02810 00016 00	PRESSURE SENSOR	1	DP
17	02810 10004 00	TEMP. SENSOR	1	DT
18	02810 10004 00	TEMP. SENSOR	1	ST
19	02828 50038 00	INVERTER	1	VSD
20	11423 09008 02	ELECTRIC PLATE	1	DKB
*21	02821 10006 00	FUSE	2	FU1-FU2
*22	02821 10002 00	FUSE	3	FU5-FU7

Note: * Items are not shown on the drawing.

Appendix

(If your machine is standard, this page is blank.)

Contact Information

Kaishan Compressor, LLC.,
Add.: 7650-A Stanton St., Daphne, AL, Post code: 36526
Office number: +1 251-202-0577
www.KaishanUSA.com