

ShopTek™



Lubricated Rotary Screw Air Compressors

4-37 kW | 5-50 hp



SULLAIR®

Always air. Always there.®



Sullair: An Industry Leader

Sullair Leadership

Since 1965, Sullair has been recognized worldwide as an innovator and leader in rotary screw compression and vacuum technology. Sullair designs and manufactures its own rotors and air end assemblies. The award-winning rotary screw design sets the industry standard and delivers the quality and reliability you expect from a leader.

Sullair Technology

Using the most modern technologies, equipment and advanced manufacturing techniques, Sullair designs, manufactures, assembles, and tests the most innovative compressed air and vacuum products in the industry. Sullair products are known around the world for their universally applicable design, outstanding craftsmanship and superior quality.

Sullair Commitment to Innovation

Underlying Sullair leadership is a dedication to excellence and a commitment to innovation. We are constantly exploring new ideas and seeking new ways to meet the industry's need for increasingly energy efficient compressed air and vacuum solutions.

All rotors are engineered and machined in the USA.

Stationary Air Power Systems

With our expertise in analyzing, managing and controlling compressed air, Sullair offers total compressed air solutions to help you reduce energy costs and improve productivity.

- Plant air audits
- Energy efficient products
- Compressed air system controls
- Equipment to monitor and manage air systems
- Air treatment products
- After-purchase support

Plus a full complement of OEM parts and lubricants to help keep your compressors running optimally. Each component of the

system is carefully matched for capacity and pressure to provide maximum performance and energy efficiency.



The Sullair Standard

Higher Than the Industry Standard

Sullair ShopTek™ air compressors redefine industry standards for continuous duty compressors in the 5 to 50 hp range. Designed with the end customer in mind, ShopTek compressors feature a small footprint and are built to provide exceptional reliability and extremely low maintenance.

All ShopTek air compressors come standard with:

- *Legendary Sullair air end*
- *10,000 hour Genuine Sullube® factory fill*
- *5-year **Emerald Warranty** — providing coverage on major components including the air end; air/fluid receiver; main drive motor; fluid cooler; and aftercooler*



Legendary Sullair Air End

A continuous supply of compressed air. It's your biggest expectation in an air compressor. The legendary Sullair air end, at the heart of tens of thousands of compressors worldwide, will help keep your operation pumping, worry-free.

Proven Reliability

Bulletproof. It's a word often used in conjunction with the Sullair air end. Although the principle of rotary screw compression remains the same, as does the durability, Sullair continuously improves the materials, engineering and design of its air ends and compressor packages.

Longer air end life

Controlled pressure lubrication and bearing fluid reservoirs assure a reliable supply of fluid to rotating elements – helping extend air end life.



Superior Features and Benefits That Set Sullair Apart

Simple, Compact Design

Sullair compressors utilize design simplicity to provide exceptional reliability and extremely low maintenance. Designed with a small footprint, these compact machines redefine industry standards for continuous duty compressors in the 5 to 50 hp range.

Reliable Sullair Air End

- Patented rotor design
- Bearing fluid reservoirs
- Long life bearings

Sound Enclosure for Quiet Operation

- Reduces sound levels to as low as 66dBA
- Easily removable for service

Intelligent Electronic Controls

Sullair ShopTek compressors are fitted with the latest technology microprocessor controller to ensure uniform operation and uninterrupted production.

Deluxe Monitoring

All essential parameters of the compressor are conveniently displayed on the controller. Pressure is controlled using transducers to minimize off-load running and reduce over-compression to help ensure optimum performance and savings in energy costs.

Energy Efficient Features

All ShopTek motors are designed for improved energy efficiency and a compact footprint. That's why Sullair provides premium efficient motors as standard. Plus, the Sullair air end is designed to deliver maximum output with minimum power consumption, giving ShopTek compressors a superior energy advantage.

All ShopTek compressors are factory-filled with biodegradable Genuine Sullube® 10,000 hour fluid.

- Protects and cleans (no varnish)
- Controls operating temperatures
- Optimal viscosity
- Environmentally friendly
- Reduces fluid loss
- High flash point (263° C)



ShopTek compressors are covered by the 5 year **Emerald Warranty** – which provides coverage on major components including:

- Air end
- Air/fluid receiver
- Main Drive Motor
- Fluid cooler
- Aftercooler

For more information, contact your local authorized Sullair distributor.

ShopTek™ Performance Air System

All ShopTek 5-20 hp compressors may be upgraded to the ShopTek Performance Air System by adding matching dryers, filters and receiver tanks.

Compressed air is a vital source of energy for applications such as general manufacturing, cabinet and trim shops, auto body and tire shops, and commercial laundries. To meet varying air quality requirements, Sullair responds to your needs by developing a total compressed air package.

The Sullair Solution

We've taken the guesswork out of putting your system together. Sullair offers the Performance Air System which includes a ShopTek compressor; a refrigerated dryer; a liquid and particulate filter; and a receiver tank. All components of the System have been perfectly sized to provide maximum performance. Plus, the Performance Air System is simple to install and requires a minimum amount of floor space.

Clean, Dry Air is Essential

Quality air treatment – the removal of condensate and particulate – is essential to protect your plant air system and air-using equipment. Plus, quality air can help improve the quality of your product and process.

The Performance Air System helps achieve your goals with:

- Matched refrigerated dryer – to help remove water vapor found in compressed air. The Sullair dryer features an oversized demister separator, dew point indicator and easy drain access. And the unit features environmentally compatible refrigerant.
- High efficiency filter – to remove particles down to 1.0 micron. The filter also helps to remove coalesced liquid and lubricants.



Features of the Receiver Tank Include:

- ASME and CRN approval
- 80 and 120 gallon tank availability
- Pressure relief and ball valve as standard

ShopTek™ 5-20 hp Compressors

V-Belt System

- Protective belt guard
- Easily adjusted and aligned

Easy Separator Maintenance

- Simply unbolt the cover and lift it off
- No tubing to disconnect
- "O" Ring seal prevents leaking
- Reduces service time

Fluid and Air Cooler(s)

- Easy access for maintenance
- Air-cooled
- Aftercooler on 15 hp and 20 hp models

Heavy Duty Air Filter

- Protects key components from premature failure
- Extends separator, fluid filter and fluid life
- Easy access for maintenance
- Filter efficiency: 99.9% @ 4.9 Micron



Environmental Protection Pan

- Fully-sealed
- Captures spills

Fluid Sight Glass

- Easily check fluid level

IEC Motor

- TEFC (IP54)
- Available voltages include 208V, 230V, 460V and 575V

Control Panel

- Integrated full-voltage starter
- ST Controller
 - Simple user interface
 - Clear and concise graphic display
 - Monitors status of key operating parameters

ShopTek™ 25-50 hp Compressors

Separator

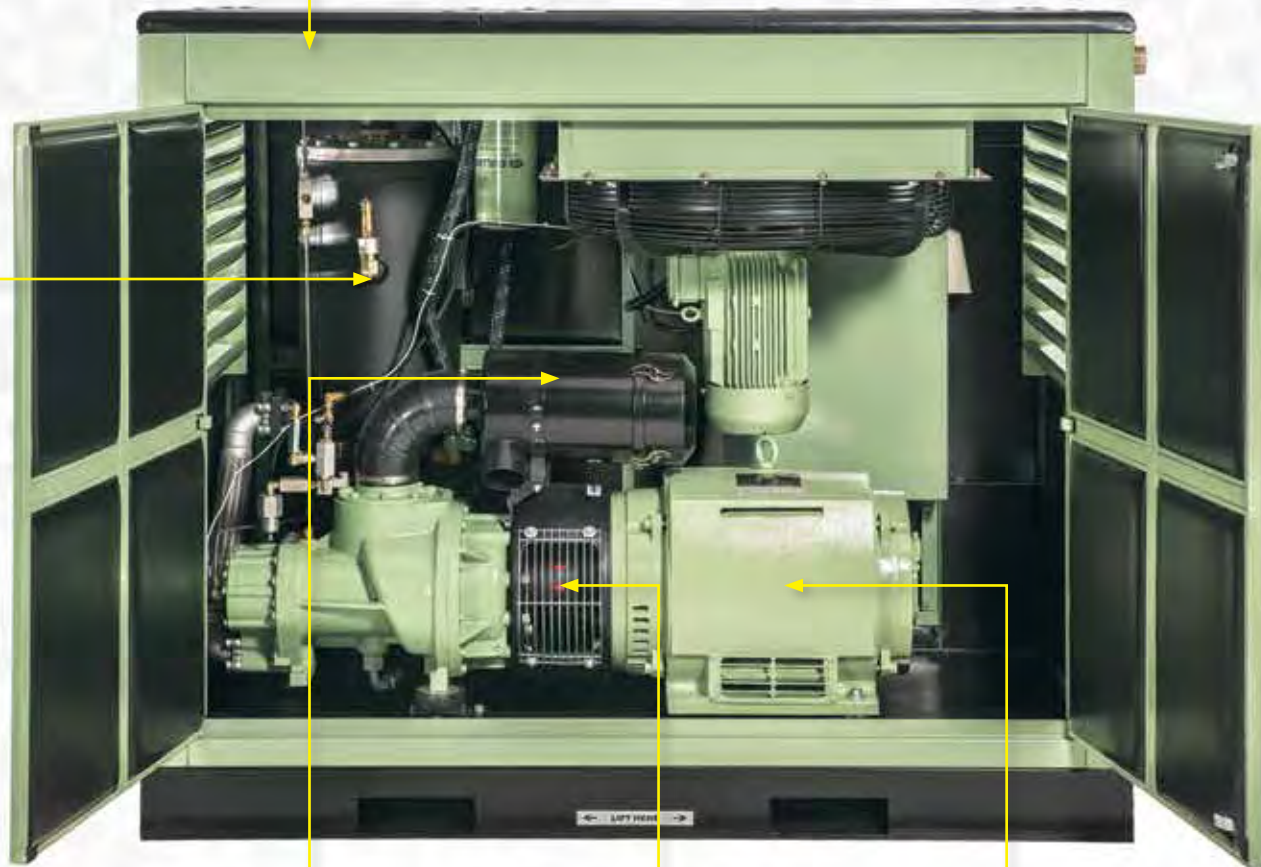
- ASME certified tank
- High quality/low carryover (<2 ppm)
- Access panel for easy removal and serviceability
- Fluid sight glass

Fluid and Air Coolers

- Easy access for maintenance
- Thermostatically controlled oil cooler helps eliminate condensation in oil at lower temps
- Efficient combo cooler design
- Aftercooler is single pass

Control Panel

- EC Controller
 - Clear and concise graphic display
 - Monitors status of key operating parameters
- Modulation Control
 - Stabilizes system pressure
 - Reduces cycling — extends life of wearing components
- Wye-Delta starter



Heavy Duty Inlet Filter

- Protects key components from premature failure
- Extends separator, fluid filter and fluid life
- Easy access for maintenance
- Filter efficiency: 99.9% @ 4.9 Micron

Direct-Coupled Gear Drive

- Provides efficient power transmission
- Ensures alignment and smooth operation

Premium Motor

- Slow-running, premium efficient 1800 RPM

ShopTek™ Technical Specifications

60 HZ					BASE MOUNTED			
Model	Motor HP (kW)	Pressure psig (bar)	Capacity acfm (m³/min)	dBA*	Length in (mm)	Width in (mm)	Height in (mm)	Weight lbs (kg)
ST410	5 (4)	150 (10)	16 (0.47)	66	32.5 (825.5)	21.5 (546.1)	37 (939.8)	524 (237.7)
ST510	7.5 (5)	150 (10)	26.5 (0.76)	67				546 (247.7)
ST709	10 (7.5)	125 (9)	35.5 (1.06)	68				567 (255.8)
ST712		175 (12)	30.1 (0.89)	68				
ST1109	15 (11)	125 (9)	63.5 (1.8)	69	39.3 (998.2)	24.3 (617.2)	40.7 (1033.8)	772 (350.2)
ST1112		175 (12)	46.5 (1.26)	69				
ST1509	20 (15)	125 (9)	80.1 (2.2)	70				
ST1512		175 (12)	62 (1.7)	70				
ST1808	25 (18)	115 (8)	103 (2.9)	75	53 (1340)	29 (740)	51 (1300)	1280 (580)
ST2208	30 (22)	115 (8)	127 (3.6)	75				1433 (650)
ST3008	40 (30)	115 (8)	160 (4.6)	80	63 (1600)	34 (860)	56.7 (1440)	1984 (900)
ST3708	50 (37)	115 (8)	219 (6.2)	80				2205 (1000)

TANK MOUNT				TANK MOUNT WITH DRYER AND FILTER				
Model	Length in (mm)	Width in (mm)	Height in (mm)	Weight lbs (kg)	Length in (mm)	Width in (mm)	Height in (mm)	Weight lbs (kg)
ST410	64 (1625.6)	23 (584.2)	63 (1600.2)	854 (387.4)	64 (1625.6)	23 (584.2)	63 (1600.2)	935 (424.1)
ST510				876 (397.3)				955 (433.2)
ST7XX				897 (406.9)				981 (444.0)
ST11XX	66 (1676.4)	25.5 (647.7)	71.5 (1816.1)	1192 (540.7)	66 (1676.4)	25.5 (647.7)	71.5 (1816.1)	1288 (584.2)
ST15XX				1225 (555.6)				1321 (599.1)

To learn more about ShopTek,
contact your Sullair distributor today.