



A Marley Engineered Products Brand
 470 Beauty Spot Rd. E, Bennettsville, SC 29512

**SUBMITTAL SHEET
 QTS SERIES
 TOE SPACE
 HEATERS**

QTS SERIES - TOE SPACE HEATERS



CAPACITIES
1500/750 or 1125/563 Watts 120, or 240/208V 1Ø only

JOB NAME: _____
 LOCATION: _____
 ARCHITECT: _____
 ENGINEER: _____
 CONTRACTOR: _____
 SUBMITTED BY: _____
 DATE: _____

ITEM	QTY.	CATALOG NUMBER	TAG	WATTS	VOLTS	PHASE	AMPS.	BUILT-IN CONTROLS

ACCESSORIES
AND
CONTROLS

ITEM	QTY.	CAT. NO.	TAG	DESCRIPTION

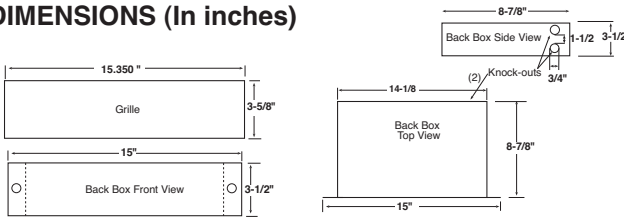
SUBMITTED BY:	DATE	SUBMITTED BY:	DATE



A Marley Engineered Products Brand

470 Beauty Spot Rd. E, Bennettsville, SC 29512

DIMENSIONS (In inches)

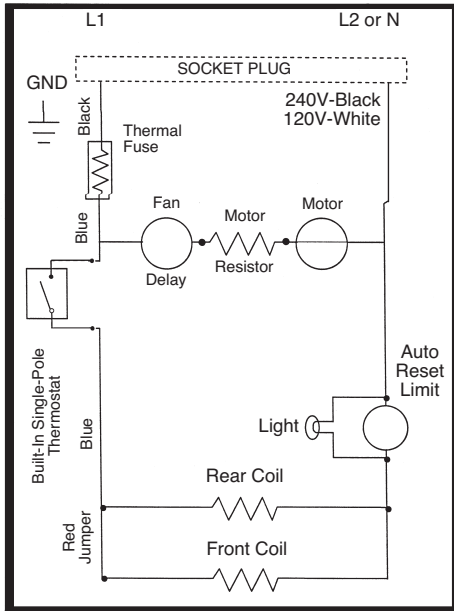


ARCHITECT'S & ENGINEER'S SPECIFICATIONS*

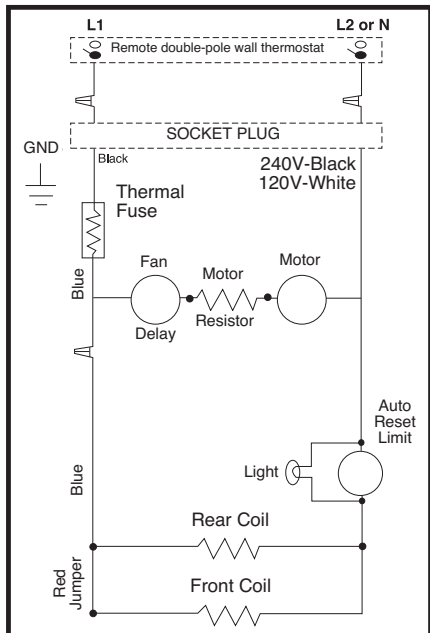
The heating equipment shall include an electric QTS Series fan-forced air heater suitable for installing in toe space areas under cabinets or stairs as manufactured by Berko, a Marley Engineered Products Brand, Bennettsville, SC. Heaters shall be cULus Listed.

BACK BOX: The back box shall be commercial grade galvanized steel and shall contain knockouts through which field wiring leads enter the box. A ground wire pigtail lead shall be attached to the back box.

WIRING DIAGRAM



QTS1504T, QTS1500T, QTS1104 (with QTS-TS accessory), QTS1100 (with QTS-TSP accessory)



INNER FRAME ASSEMBLY: The inner frame assembly shall consist of a commercial grade galvanized steel chassis on which are mounted the heating elements, fan motor and tangential blower, and over temperature protectors. The inner frame assembly shall be completely prewired with a plug connection for power wiring. Pigtail leads are provided for thermostat wiring. The inner frame assembly shall lock into the back box without fasteners.

HEATING ELEMENT: The heating element shall be of non-glowing design consisting of 80% nickel, 20% chromium resistance wire enclosed in a steel sheath to which steel plate fins are brazed. The element shall cover the entire air discharge area to ensure uniform heating of all discharge air. The wattage output of the unit shall be adjustable by removing a jumper wire.

MOTOR AND CONTROLS: The fan motor shall be impedance protected and permanently lubricated. An optional single pole thermostat accessory shall be specified when the unit will not utilize a single pole wall thermostat. Note: Three conductor wire is required when a two pole thermostat is used.

The over temperature protector shall be bi-metallic, snap-action type designed to shut off heater in the event of overheating. A pilot light shall be provided that will illuminate if the over temperature protector operates. A thermal fuse shall provide secondary thermal cut-out for added safety.

FRONT COVER: The front cover shall be of commercial grade steel finished in Black polyester powder paint. It will attach to the back box with two screws.

* Berko reserves the right to change specifications without prior notice.

SELECTION CHART

CATALOG NUMBER	VOLTS	AMPS	WATTS	BTU/HR.
QTS1100	120	9.2/4.7	1125/563	3840/1920
QTS1104	208	4.0/2.0	844/422	2881/1440
	240	4.7/2.3	1125/563	3840/1920
QTS1500T	120	12.5/6.3	1500/750	5120/2560
QTS1504T	208	5.4/2.7	1125/563	3840/1920
	240	6.3/3.1	1500/750	5120/2560
QTS-TSP	Single pole thermostat kit for field installation in QTS1100 or QTS1104 heater. 25 amps @ 120-240 VAC, 45° to 85° F temperature range.			
QTS-AG	Adapter Grille 3-1/2" H x 23-3/8" W			