

Job Name/Location:

Tag No.:

Date:

For:	File	Resubmit
	Approval	Other_____

PO No.:

Architect:

GC:

Engr:

Mech:

Rep:

(Company)

(Project Manager)



LP123IHP

Packaged Terminal Air Conditioner (PTAC)

208-230V Inverter Heat Pump

Power Supply:

V/Hz/Ø	208-230 / 60 / 1
--------	------------------

Operating Range:

Cooling (°F)	54 to 115
Heating (°F)	-4 to +75

Capacity:

Cooling Capacity (Bth/h)	12,000
Heating Capacity (Btu/h)	12,000

Unit Data:

EER (Btu/h.W) ¹	12.0
COP (W/W) ²	3.6
Net / Shipping Weight (lbs.)	107 / 120
Dimensions (W x H X D, inches)	42 x 16 x 19-7/8
Sound Pressure dB(A) (Indoor)	53/49/44/39
Sound Pressure dB(A) (Outdoor)	67
Air Flow Rate CFM (H/M/L/Slo) (Indoor)	400/260/235/155
Air Flow Rate CFM (Outdoor)	670
Outside Air Intake CFM (Manual Damper)	70
Dehumidification (pts. / hr.)	2.8

Electrical:

Power Supply (V/Hz/Ø)		208 / 60 / 1	230 / 60 / 1
MCA (A) ³	With 15A Cord	11.9	11.9
	With 20A Cord	17.2	17.2
	With 30A Cord	28.0	28.0
MOP (A) ⁴	With 15A Cord	15	15
	With 20A Cord	20	20
	With 30A Cord	30	30
Cooling Rated Amps (A)		7.1	6.6
Heating Rated Amps (A)		6.3	5.7
Cooling Power Input (W)		1,000	1,000
Heating Power Input (W)		975	975

Electric Heater Capacity:

Btu/h (kW)			208 / 60 / 1	230 / 60 / 1
	With 15A Cord		5,600 (1.65)	6,800 (2.0)
	With 20A Cord		8,300 (2.45)	10,200 (3.0)
	With 30A Cord		13,500 (4.0)	17,000 (5.0)

Standard Features:

- Digital Control Display
- DIP Switch Setting for Temperature Limiting
- Energy Saver Mode
- Freeze Room Protection
- GoldFin™ Anti-corrosion Treatment
- Temperature Display on Unit

Required Accessories:

- Choose one of these three power cords (208V / 230V only):
- AYUH2315 - 15A - 1.65kW / 2.00kW
- AYUH2320 - 20A - 2.45kW / 3.00kW
- AYUH2330 - 30A - 4.00kW / 5.00kW

Optional Accessories:

- See page 3.

Notes:

1. EER - Energy Efficiency Ratio
2. COP - Coefficient of Performance
3. MCA - Minimum Circuit Ampacity
4. MOP - Maximum Overcurrent Protection

LP123IHP

Packaged Terminal Air Conditioner (PTAC)

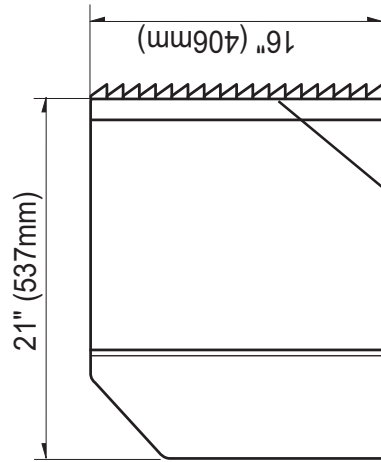
208-230V Inverter Heat Pump



Tag No.: _____

Date: _____

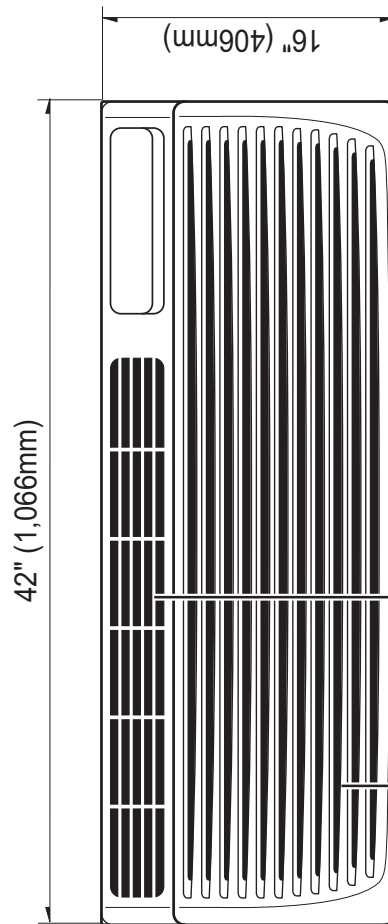
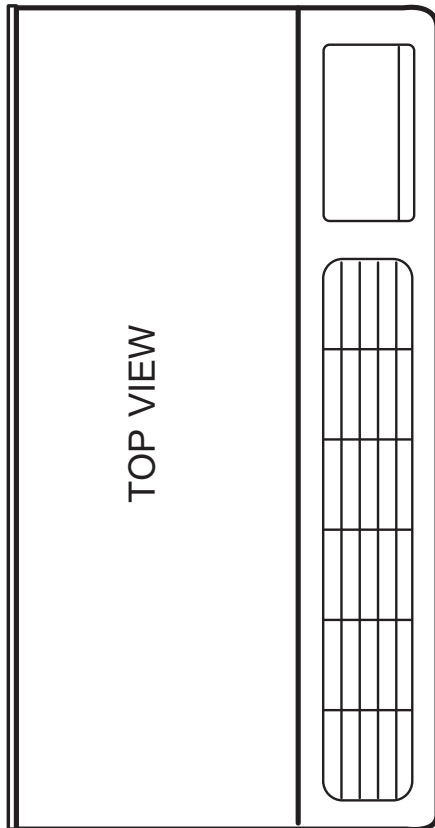
PO No.: _____



Architectural Grille

Note:

1. The unit must not be installed in a closed area.
2. In an area or space having no proper circulation, an air guide must be installed on the outdoor side.



Inlet Grille Vertical Air Deflector

Job Name/Location: _____

LP123IHP
 Packaged Terminal Air Conditioner (PTAC)
 208-230V Inverter Heat Pump



Tag No.: _____

Date: _____

PO No.: _____



AYWH110



AYHW101

Optional Accessories:

Type	Model Number	Description
Control	<input type="checkbox"/> AYWH110	Wired Wall Thermostat Connection Kit
	<input type="checkbox"/> AYHW101	Hard Wire Kit
	<input type="checkbox"/> PQRCHCSA	Wired Remote Controller



AYAD101



AYCP101



AYFT110



AYLD1A



AYLL101B



AYSBS1201B /
AYSBS1301B



AYDSW1201B /
AYDSW1301B

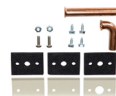
Type	Model Number	Description
Indoor	<input type="checkbox"/> AYAD101	Air Deflector
	<input type="checkbox"/> AYCP101	Control Panel Key Lock
	<input type="checkbox"/> AYFT110	Replacement Filters (Ten [10] Pack)
	<input type="checkbox"/> AYLD1A	Lateral Duct Accessory System
	<input type="checkbox"/> AYLL101B	Leveling Legs (Set of Two [2])
	<input type="checkbox"/> AYSB5101	Sub-Base Panel
	<input type="checkbox"/> AYSB6101	Non-Electrical Sub-Base
	<input type="checkbox"/> AYSB1201B	Sub-Base, 208/230V, 20A without Disconnect Switch
	<input type="checkbox"/> AYSB1301B	Sub-Base, 208/230V, 30A without Disconnect Switch
	<input type="checkbox"/> AYDSW120B	Disconnect Switch, 208/230V, 15-20A
<input type="checkbox"/> AYDSW130B	Disconnect Switch, 208/230V, 30A	



AYAGALA01A / AYAGALC01A /
AYAGALB01A



AYAGPLB01 / AYAGPLC01 /
AYAGPLD01



AYDR101B



AYFDSV01A



AYRGALA01



AYSVB01A

Type	Model Number	Description
Outdoor	<input type="checkbox"/> AYAGALA01A	Architecture Aluminum Grille - Aluminum
	<input type="checkbox"/> AYAGALB01A	Architecture Aluminum Grille - Bronze
	<input type="checkbox"/> AYAGALC01A	Architecture Aluminum Grille - Soft Dove
	<input type="checkbox"/> AYAGALX01A	Architecture Aluminum Grille - Custom Color (minimum 12 week lead time)
	<input type="checkbox"/> AYAGPLB01	Polymer Grille - Dark Bronze
	<input type="checkbox"/> AYAGPLC01	Polymer Grille - Soft Dove
	<input type="checkbox"/> AYAGPLD01	Polymer Grille - White
	<input type="checkbox"/> AYDR101B	Condensate Drain Kit
	<input type="checkbox"/> AYFDSV01A	Four-Piece Insulated Snap-Together Wall Sleeve
	<input type="checkbox"/> AYFPSV02A	Polymer Wall Sleeve
	<input type="checkbox"/> AYSVB01A	42" Wall Sleeve - Single, Assembled
	<input type="checkbox"/> AYSV018B	Wall Sleeve - Snap On (18 inches)
	<input type="checkbox"/> AYSV024B	Wall Sleeve - Snap On (24 inches)
<input type="checkbox"/> AYSVKITB	Wall Sleeve Extension Kit (2 inches)	

Required Accessory (Choose One [1] Power Cord):

Type	Model Number	Description
Power Cord	<input type="checkbox"/> AYUH2315	Power Cord with Plug 15A (With Universal Heater)
	<input type="checkbox"/> AYUH2320	Power Cord with Plug 20A (With Universal Heater)
	<input type="checkbox"/> AYUH2330	Power Cord with Plug 30A (With Universal Heater)