



# SERVICE PARTS LIST

**BULLETIN NO.**  
54-49-3117

SPECIFY CATALOG NO. AND SERIAL NO. WHEN ORDERING PARTS		REVISED BULLETIN	DATE
<b>FASTBACK™ FLIP UTILITY KNIFE with Blade Storage</b>			Apr. 2016
<b>CATALOG NO.</b> 48-22-1903	<b>SERIAL NUMBER</b>	WIRING INSTRUCTION	

**EXAMPLE:**  

00	0
----	---

 Component Parts (Small #) Are Included When Ordering The Assembly (Large #).

**NOTE:**  
 Apply a drop of non-permanent thread locking sealant (Loctite® 222 or the equivalent) to the threads of each screw prior to installation. Fastener heads #3 must be subflush to the blade holder cover.

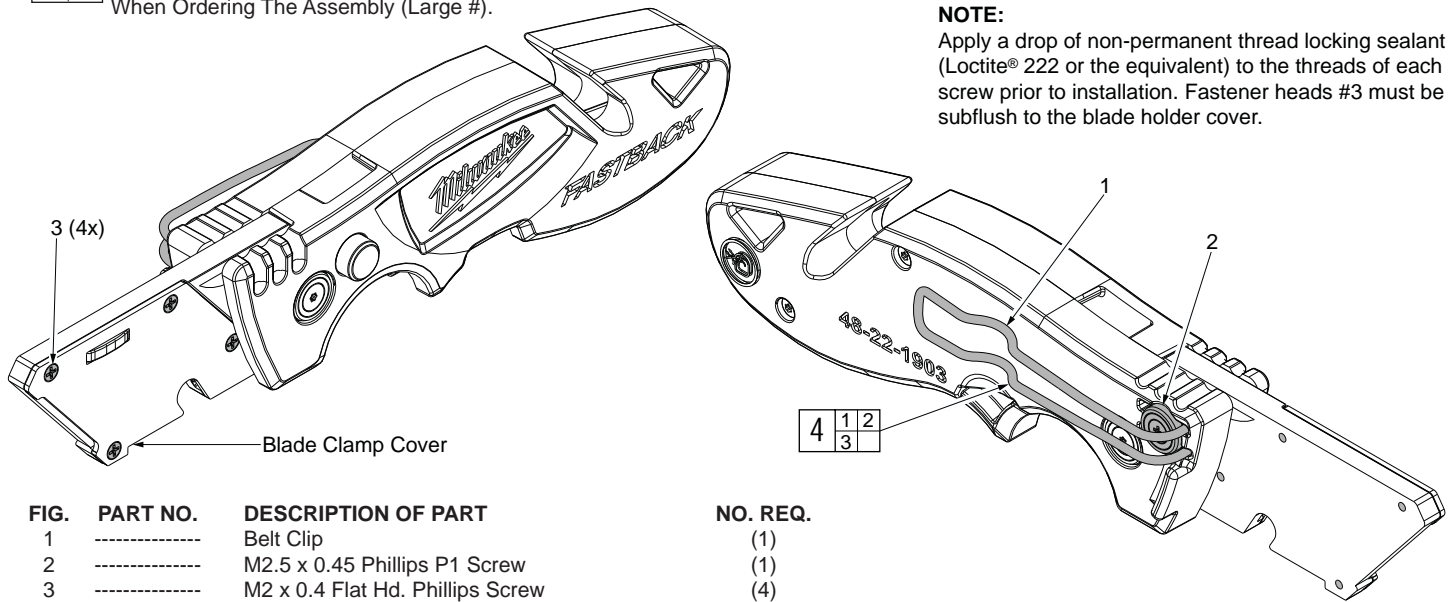


FIG.	PART NO.	DESCRIPTION OF PART	NO. REQ.
1	-----	Belt Clip	(1)
2	-----	M2.5 x 0.45 Phillips P1 Screw	(1)
3	-----	M2 x 0.4 Flat Hd. Phillips Screw	(4)
4	14-46-0114	Belt Clip/Screw Service Kit (Contains all the above)	(1)

SPECIFY CATALOG NO. AND SERIAL NO. WHEN ORDERING PARTS		REVISED BULLETIN	DATE
<b>FASTBACK™ COMPACT FLIP UTILITY KNIFE</b>			
<b>CATALOG NO.</b> 48-22-1906	<b>SERIAL NUMBER</b>	WIRING INSTRUCTION	

**NOTE:**  
 Apply a drop of non-permanent thread locking sealant (Loctite® 222 or the equivalent) to the threads of each screw prior to installation. Fastener heads #3 must be subflush to the blade holder cover.

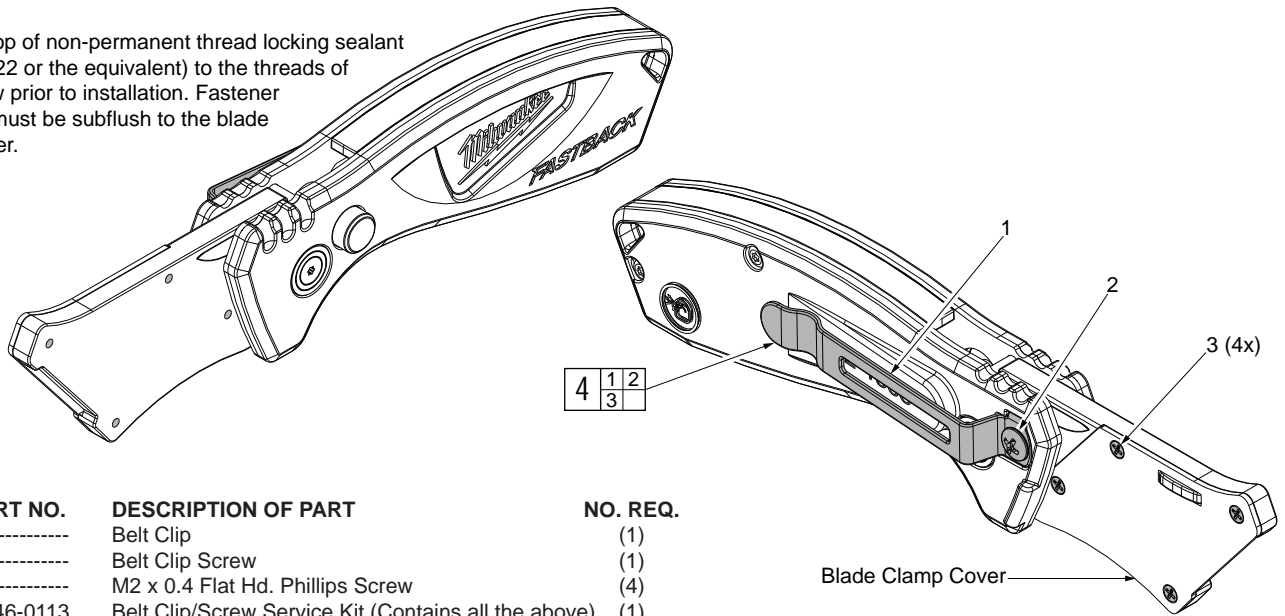


FIG.	PART NO.	DESCRIPTION OF PART	NO. REQ.
1	-----	Belt Clip	(1)
2	-----	Belt Clip Screw	(1)
3	-----	M2 x 0.4 Flat Hd. Phillips Screw	(4)
4	14-46-0113	Belt Clip/Screw Service Kit (Contains all the above)	(1)