

Job Name/Location:

Tag #:

Date:	For: File	Resubmit
PO No.:	Approval	Other_____

Architect: \_\_\_\_\_ GC: \_\_\_\_\_

Engr: \_\_\_\_\_ Mech: \_\_\_\_\_

Rep: \_\_\_\_\_  
(Company) (Project Manager)

# LC128HV

## Ceiling Cassette Single Zone

Indoor Unit (IDU) - LCN128HV4, Outdoor Unit (ODU) - LUJ120HV

### Performance:

#### Cooling:

Cooling Capacity (Min~Rated~Max) (Btu/h)	3,400 ~ 11,100 ~ 12,400
SEER2	19.40
EER2	12.60

SEER - Seasonal Energy Efficiency Ratio

EER - Energy Efficiency Ratio

#### Heating:

Heating Capacity (Min~Rated~Max) (Btu/h)	2,800 ~ 14,000 ~ 15,500
HSPF2	10.35
Max. Heating @ Indoor 70°F DB	
Outdoor 17°F DB	11,900
Outdoor 5°F DB	10,700
Outdoor -4°F DB	9,280

HSPF - Heating Seasonal Performance Factor

### Electrical:

Power Supply (V/Hz/Ø)	208-230/60/1
MOP (A)	15
MCA (A)	12.3
Cooling Rated Amps (A)	10.05
Heating Rated Amps (A)	10.05
Compressor (A)	9.0
Fan Motor (IDU + ODU) (A)	1.05
Cooling Power Input (kW)	0.88
Heating Power Input (kW)	1.19

MOP - Maximum Overcurrent Protection

MCA - Minimum Circuit Ampacity

### Piping:

Liquid (in., O.D., Connection Size/Pipe Size)	1/4 / 1/4
Vapor (in., O.D., Connection Size/Pipe Size)	3/8 / 3/8
Additional Refrigerant (oz./ft.)	0.22
Max. Pipe Length (ft.) <sup>2</sup>	66
Piping Length (no add'l refriger., ft.)	25
Max. Elevation (ft.)	49

### Features:

- Inverter (Variable Speed Compressor)
- Internal Condensate Pump
- Swirl Wind / Jet Cool
- IDU compatible with Multi F ODUs
- Auto Restart
- Auto Changeover
- Ultra-quiet Turbo Fan
- Optional Wi-Fi Control

### Included Accessories:

- Wireless Remote Controller — AKB73757604 (Also referenced by Model No. PQWRHQ0FDB)

### Required Accessories:

- Panel (24-13/32" x 24-13/32") - PT-QAGW0 or PT-QCHW0

### Optional Accessories:

- Cassette Decorative Cover - PTDCQ
- Ventilation Flange<sup>3</sup> - PTVK430
- MultiSITE™ CRC\* Controller - PREMTBVC2/C3/C4
- Simple Remote Controller - PREMTCC00U
- Standard III Remote Controller (White / Black) - PREMTB100 / PREMTBB10
- Remote Temperature Button Sensor - ZRTBS01
- Simple Dry Contact (1 contact, 24 VAC external power) - PDRYCB100
- Dry Contact for Third Party Thermostat - PDRYCB320
- Dry Contact for Economizer - PDRYCB400
- AHU Communication Kit - PAHCMR000
- Auxiliary Heater Kit<sup>5</sup> - PRARH1
- Wi-Fi Module - PWFMD200
- Low Ambient Wind Baffle (Cooling operation to -4°F) - ZLABGP01A
- Drain Pan Heater - PQSH1202



### Operating Range:

#### Outdoor Unit:

Cooling (°F DB)	0 - 118
Heating (°F WB)	-4 ~ +64

#### Indoor Unit:

Cooling (°F WB)	57 ~ 77
Heating (°F DB)	59 ~ 81

### System Data:

Refrigerant Type	R410A
Refrigerant Control	EEV
Refrigerant Charge (lbs.)	2.43
IDU Sound Pressure (H/M/L) (±3 dB[A]) <sup>3</sup>	36 / 35 / 32
ODU Sound Pressure Max. (Cooling / Heating) (±3 dB[A]) <sup>3</sup>	49 / 52
ODU Net / Shipping Weight (lbs.)	71 / 76
IDU Net / Shipping Weight (lbs.)	31 / 37
Grille Net / Shipping Weight (lbs.)	7 / 9

### Fan:

ODU Type	Propeller
IDU Type	Turbo
Fan Speeds (Fan/Cool/Heat)	4 / 5 / 4
Quantity (ODU + IDU)	(1 + 1)
Motor/Drive	Brushless Digitally Controlled/Direct
ODU Air Flow Rate (CFM)	988
IDU Air Flow (CFM H/M/L)	335 / 283 / 247
Dehumidification (pts./hr.)	2.47

### Notes:

1. Acceptable operating voltage: 187V-253V.
2. Piping lengths are equivalent.
3. Must comply with applicable codes for fire isolation dampers.
4. Sound Pressure levels are tested in an anechoic chamber under ISO Standard 3745.
5. All communication / connection (power) cable from the outdoor unit to the indoor unit is field supplied and must be a minimum of four-conductor, 14 AWG, stranded, shielded or unshielded (if shielded, it must be grounded to the chassis of the outdoor unit only), and must comply with applicable local and national codes.
6. This unit comes with a dry helium charge.
7. Nominal data is rated 0 ft. above sea level, with 25 ft. of refrigerant line and a 0 ft. level difference between outdoor and indoor units.
8. Power wiring cable size must comply with the applicable local and national code.
9. Must follow installation instructions in the applicable LG installation manual.
10. Multi-compatible IDUs include socket adapters for refrigerant pipe connection with Single Zone systems.



162279



Proper sizing and installation of equipment is critical to achieve optimal performance. Split system air conditioners and heat pumps (excluding ductless systems) must be matched with appropriate coil components to meet ENERGY STAR® criteria. Ask your contractor for details or visit [www.energystar.gov](http://www.energystar.gov). (ENERGY STAR and the ENERGY STAR mark are registered trademarks owned by the U.S. Environmental Protection Agency.)

For a complete list of available accessories, contact your LG representative.

For continual product development, LG reserves the right to change specifications without notice.

© LG Electronics U.S.A., Inc., Englewood Cliffs, NJ. All rights reserved. "LG Life's Good" is a registered trademark of LG Corp. /www.lghvac.com

# LC128HV Ceiling Cassette Single Zone

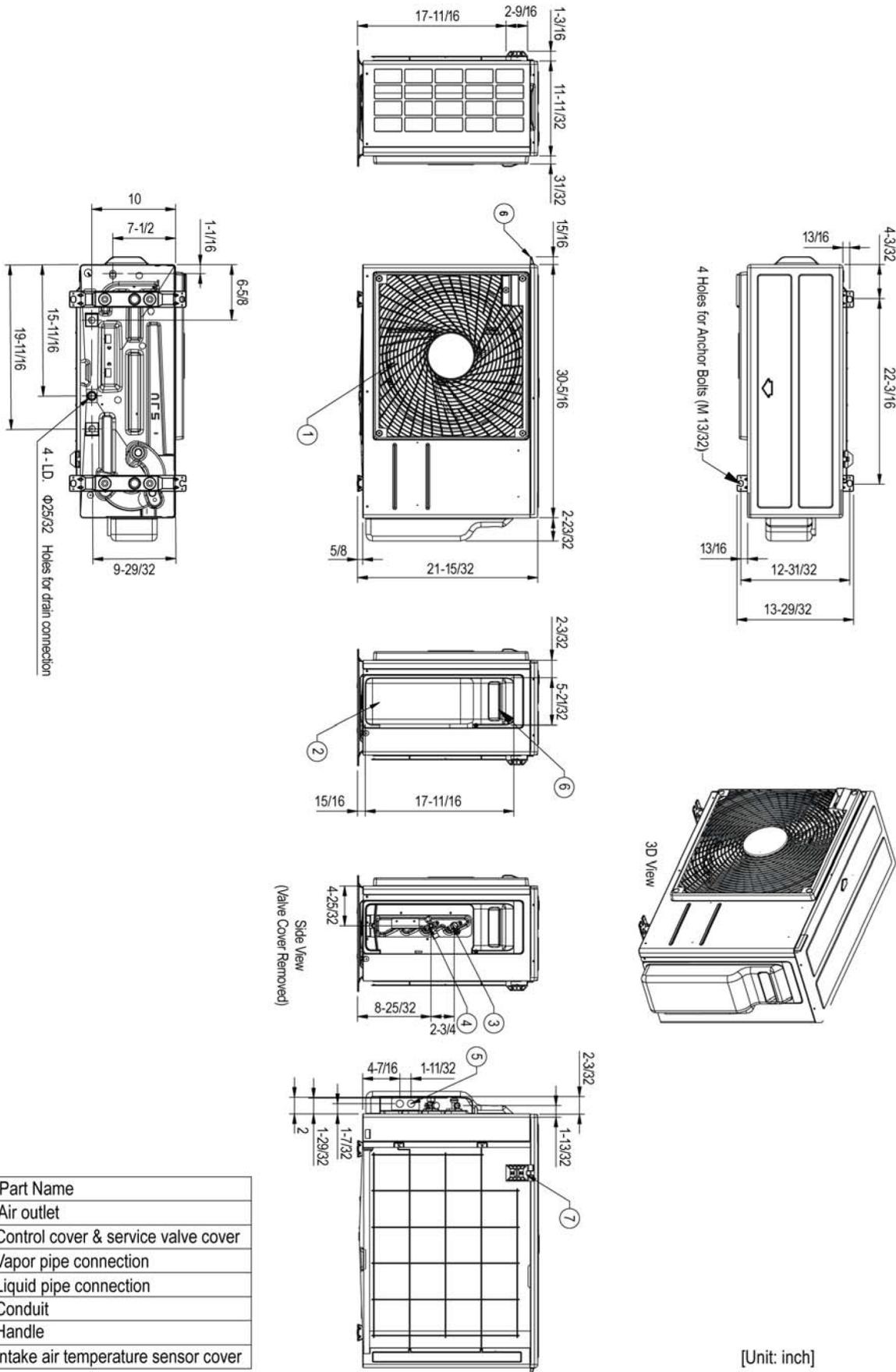
Indoor Unit (IDU) - LCN128HV4, Outdoor Unit (ODU) - LUU120HV



Tag No.: \_\_\_\_\_

Date: \_\_\_\_\_

PO No.: \_\_\_\_\_



No.	Part Name
1	Air outlet
2	Control cover & service valve cover
3	Vapor pipe connection
4	Liquid pipe connection
5	Conduit
6	Handle
7	Intake air temperature sensor cover

[Unit: inch]

