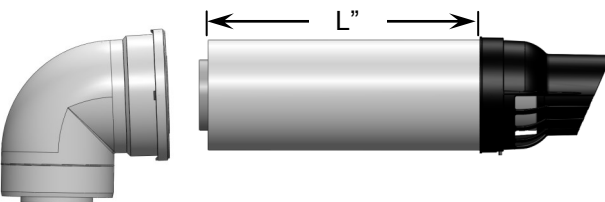


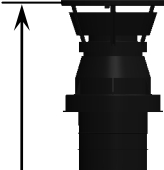
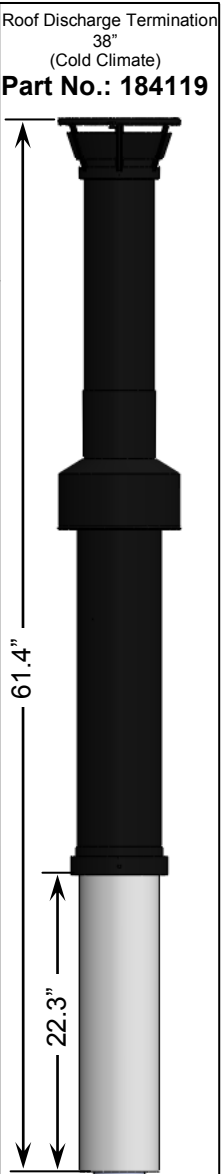
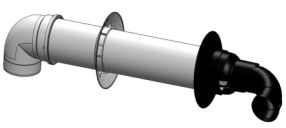
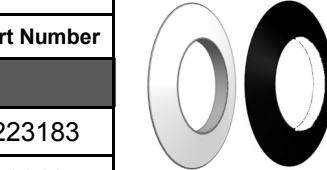


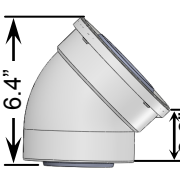
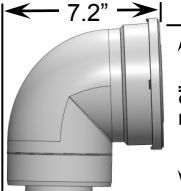
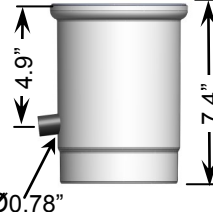


Ubbink Vent Components - Concentric Non-Condensing

- For concentric venting, non-condensing models.
- Current water heater models incorporate a condensate collector and do not require an “adapter” vent component. (For models manufactured prior to 2008 a separate condensate collector is available)
- Plastic vent components consist of an outer plastic vent for the air intake (ø5”) and an inner metal vent for the exhaust gases (ø3”). Metal vent components consist of metal inner and outer vents.
- Plastic and metal vent components are completely interchangeable.

Refer to the Rinnai installation manual and the Ubbink installation instructions for complete installation details and requirements.

PLASTIC VENT COMPONENTS (Plastic Outer Pipe, Metal Inner Pipe)																							
 <p>Universal Non-Condensing Termination Kit</p>		 <p>Roof Termination Extension Kit Part No.: 185342</p>	 <p>Roof Discharge Termination 38" (Cold Climate) Part No.: 184119</p>																				
<table border="1"> <thead> <tr> <th colspan="2">Termination Kit (termination, elbow, rubber wall plates)</th> <th colspan="2">Termination Only</th> </tr> <tr> <th>Length "L"</th> <th>Part Number</th> <th>Length "L"</th> <th>Part Number</th> </tr> </thead> <tbody> <tr> <td>8.7"</td> <td>223191</td> <td></td> <td></td> </tr> <tr> <td>11.5"</td> <td>223181</td> <td>11.5"</td> <td>223183</td> </tr> <tr> <td>21"</td> <td>223182</td> <td>21"</td> <td>223184</td> </tr> </tbody> </table>		Termination Kit (termination, elbow, rubber wall plates)		Termination Only		Length "L"	Part Number	Length "L"	Part Number	8.7"	223191			11.5"	223181	11.5"	223183	21"	223182	21"	223184	 <p>Roof Discharge Termination 18" Part No.: 184118-S</p>	
Termination Kit (termination, elbow, rubber wall plates)		Termination Only																					
Length "L"	Part Number	Length "L"	Part Number																				
8.7"	223191																						
11.5"	223181	11.5"	223183																				
21"	223182	21"	223184																				
 <p>(21" Non-Condensing Horizontal Termination Diverter Kit) Part No.: 223187</p>		 <p>Rubber Wall Plate Part No.: 710342 (White) Part No.: 710602 (Black)</p>																					
 <p>Vent Pipe Extension</p> <table border="1"> <thead> <tr> <th>Length "L"</th> <th>Part Number</th> </tr> </thead> <tbody> <tr> <td>10"</td> <td>224051</td> </tr> <tr> <td>19.5"</td> <td>224052</td> </tr> <tr> <td>39"</td> <td>224053</td> </tr> </tbody> </table>		Length "L"	Part Number	10"	224051	19.5"	224052	39"	224053	 <p>Telescoping Vent Length Part No.: 224054</p> <p>Effective Length 2.2-12 Inches</p>	 <p>45 Degree Elbow Part No.: 224050</p>	 <p>90 Degree Elbow Part No.: 224063</p>	 <p>Condensate Collector Part No.: 224069</p>										
Length "L"	Part Number																						
10"	224051																						
19.5"	224052																						
39"	224053																						

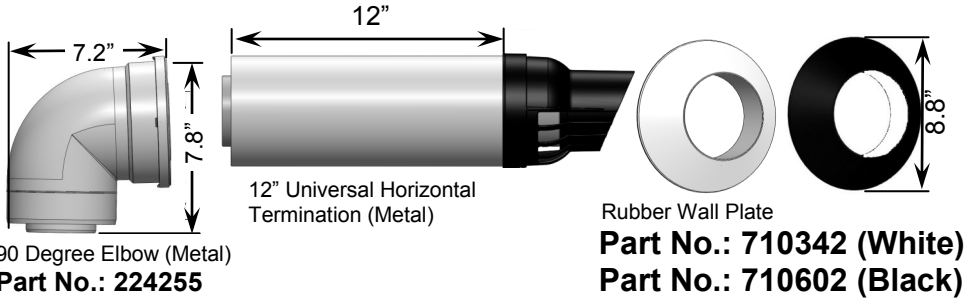
Ubbink Vent Components - Concentric Non-Condensing

METAL VENT COMPONENTS

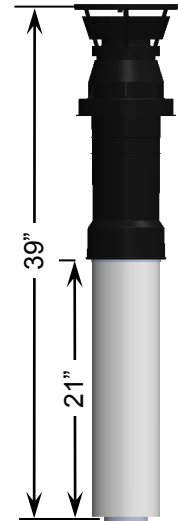
(Plastic Outer Pipe, Metal Inner Pipe)

Universal Termination Kit (Metal)

Part No.: 223188

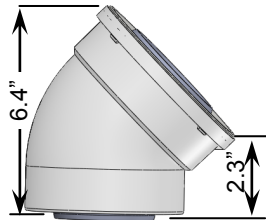
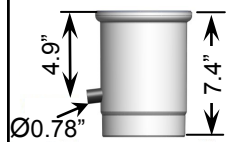


Roof Termination (Metal)

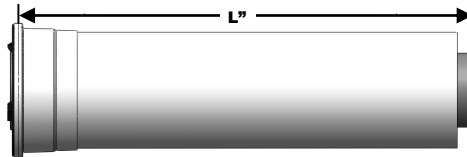


Condensate Collector (Metal)

Part No.: 224245



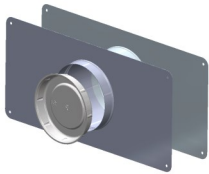
45 Degree Elbow (Metal)
Part No.: 224250



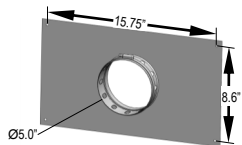
Length "L"	Part Number
10"	224260
19.5"	224265
39"	224270

Thimble
Part No.: 224045

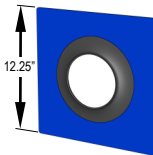
*Fits 2x4 or 2x6
Wall Construction



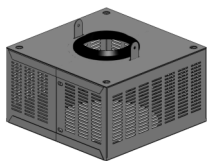
Vent Support Bracket
Part No.: 224049



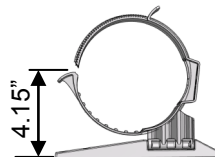
Horizontal—Flashing Panel
Part No.: 102000012



Universal Bug Guard
Part No.: 224042



Pipe Clamp
Part No.: 169044



Roof Flashing

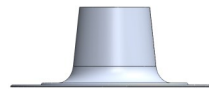


Roof Pitch	Part No. for Shingle Roofs	Part No. for Tile Roofs
1/12 to 6/12	189950	50171949
6/12 to 12/12	189951	50171961
8/12 to 16/12	189952	50171954

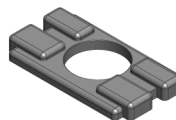
Condensate Trap
Part No.: 222053



Roof Flashing—Flat
Part No.: 146141



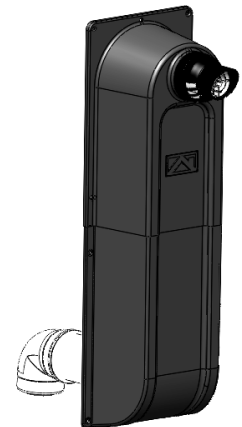
NSF Cover
Part No.: 224040



Flashing for Metal Roof
Part No.: 242141



Raised Horizontal Termination Kit "Snorkel"
Part No.: 224046



Kit Includes:
14.2" Vent Extension, Qty 3-90°
Elbow, 19.5" Vent pipe extension,
Special wall terminal, Cover.