



Stringless Electric Trimmer/Edger

Model No. SB600E

Form No. SJ-SB600E-880E

A Division of Snow Joe, LLC

OPERATOR'S MANUAL

⚠ CAUTION!

Before using this electric tool, carefully read and observe the safety rules and instructions listed below. Before starting work, make sure that you know how to stop the machine in case of an emergency. The incorrect use of this machine could cause serious injury. Keep these instructions in a safe place and on hand so that they can be consulted when required.

⚠ CAUTION!

The grass trimmer should only be used for cutting lawns and along the borders of flower beds. Other uses of the trimmer, not in these instructions, could damage the trimmer or seriously injure the operator.

GENERAL Safety Rules

- The grass trimmer must not be used by anyone under the age of 16.
- Always check the good working order of the trimmer which, if not adequate, could endanger the user.
- Before connecting the trimmer to the mains, make sure that the rotating parts are not damaged.
- Do not use the trimmer if the cutting device is not secured properly or is damaged.
- Before starting the trimmer, make sure that the blade is not touching stones or debris.
- Always wear suitable clothing when using the trimmer to prevent head, hand, or feet injuries. Use a helmet, glasses (or visor). High boots (or sturdy shoes and trousers) and work gloves.
- When the trimmer is in operation, keep the cutting section away from all parts of the body.
- Do not start the trimmer when it is upside down or when not in working position.
- Turn the trimmer off and disconnect the plug when: the trimmer is not being used; it is left unattended; it is being examined because it is not working correctly; the power supply cable is damaged; the blade is being removed or changed or when the trimmer is being moved from one place to another.
- Keep children, other people, and pets away from the trimmer; the grass which is cut and dispersed may contain stones and debris.
- Do not let other people or animals come within 5 meters of the trimmer when in use.
- Remain in a stable and secure position while operating the trimmer.

- Keep the area being cut free from wires, stones, and debris.
- Do not cut against hard objects. This could cause injury or damage the trimmer.
- Use the edge of the guard to keep the trimmer away from walls, surfaces, miscellaneous things, and delicate objects.
- Never use the trimmer without the guard.

⚠ CAUTION!

The guard is critical to the safety of the operator and people near the trimmer. The guard keeps the trimmer in good working order and must always be in place during operation. Failure to have the guard in place during operation is dangerous and will void the warranty.

- Be careful of the blade, which can give deep cuts.
- Do not try to stop the cutting device with your hands. Always let it come to a stop by itself.

⚠ CAUTION!

The blade will continue to rotate after turning the trimmer OFF. Wait until the blade has completely stopped before making contact.

- Only use the type of blade originally provided with the trimmer.
- Do not use the trimmer to cut grass which is not in contact with the ground.
- Do not switch the grass trimmer on in enclosed or poorly ventilated spaces or in the presence of inflammable and/or explosive substances such as liquids, gas, and powders.
- The user of the grass trimmer is responsible for any damage sustained by third parties which has been caused by the grass trimmer within the working area.
- Only cut during broad daylight or with corresponding artificial light.
- Do not cross roads or gravel paths with the trimmer still running.
- When the trimmer is not in use, store it in a dry place and out of the reach of children.
- The trimmer must be operated vertical, perpendicular to the ground.
- Check regularly that the screws are properly secured.









Electrical Safety Rules

- The voltage must correspond to the one marked on the technical data plate (120V~60Hz). Do not use other sources of power.

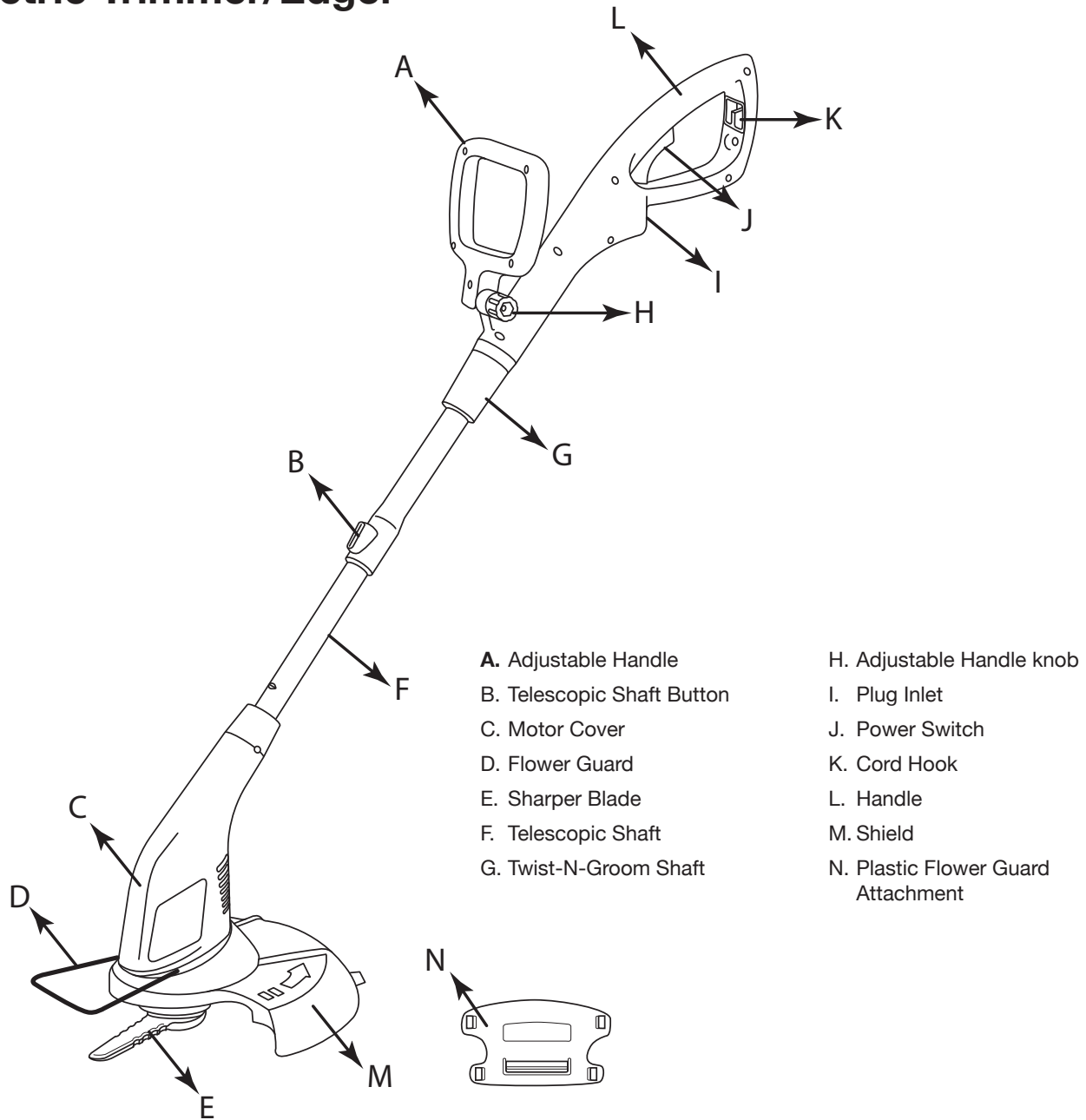
- The power line should have a circuit-breaker no lower than 10A. Consult an electrician.
- Never pass the grass trimmer over the extension cable when the grass trimmer is working as this could cut the cable. Mark sure you always know where the cable is.
- Use the special cable holder for the connection of the extension cable.
- Never use the trimmer when it is raining, avoid moisture and humidity. Do not leave the trimmer outside overnight or cut damp, wet grass.
- The power supply cable should be checked regularly and not damaged. If the cable is not in good condition, do not use the trimmer.
- Only use an extension cable which is rated for outdoor use. Keep the extension cable away from the cutting area, sharp edges, heat, fuels and damp, wet, oily surfaces.
- The mobile socket of the extension cable should be splash proof in compliance with DIN 57282 and DIN VDE 0282 regulations; the cross-section of the wire (max. length: 75m) should be at least 1.5mm². Use H07RN-F harmonied cable.
- This grass trimmer has been built with dual insulation in compliance with EEC 20 regulations. Dual insulation is electrically safer and therefore the trimmer does not need additional grounding.

Safety Symbols

The following table depicts and describes safety symbols that may appear on this product. Read, understand, and follow all instructions on the machine before attempting to assemble and operate.

Symbol	Description
	<p>READ THE OPERATOR'S MANUAL(S) Read, understand and follow all instructions in the manual(s) before attempting to assemble and operate.</p>
	<p>WARNING! Keep out of rain and away from wet areas.</p>
	<p>DANGER! Rotating objects may spin off and cause personal injury. Keep people away from hazard area.</p>
	<p>WARNING! Always turn the machine OFF and disconnect the electrical power before conducting inspection, cleaning and maintenance.</p>
	<p>DANGER! Keep electrical extension cable away from tines.</p>
	<p>DANGER! Rotating parts may cause serious injury. Allow the blade to completely stop before moving the machine, inspection, cleaning and maintenance.</p>
	<p>SAFETY ALERT</p>
	<p>DOUBLE INSULATION</p>

Know Your Sharper Blade Electric Trimmer/Edger



- A. Adjustable Handle
- B. Telescopic Shaft Button
- C. Motor Cover
- D. Flower Guard
- E. Sharper Blade
- F. Telescopic Shaft
- G. Twist-N-Groom Shaft
- H. Adjustable Handle knob
- I. Plug Inlet
- J. Power Switch
- K. Cord Hook
- L. Handle
- M. Shield
- N. Plastic Flower Guard Attachment

Technical Data

Power supply voltage – 120V~60Hz

Power consumption – 450W

Cutting diameter – 12 inch

Idle Speed – 10000min⁻¹

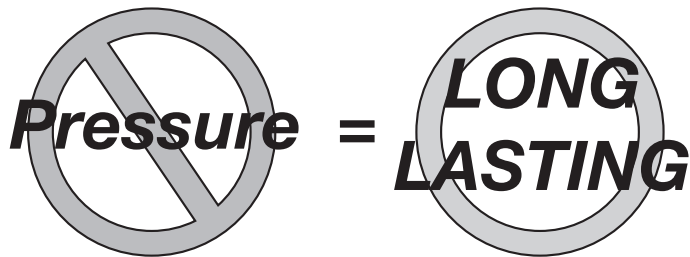
Noise power level LWA – 95dB(A)

SECRETS to a Long Lasting Sharper Blade™

CONGRATULATIONS! YOU ARE ABOUT TO EXPERIENCE A FASTER, EASIER, WAY OF GROOMING YOUR LAWNS EDGE AND MANAGING WEEDS.

First, you will notice that there are obvious differences between your Sharper Blade and string line, among which are size and shape. These differences require you to operate your trimmer slightly differently:

1. Use **MINIMAL** pressure when edging against concrete, brick, or stone. Since the Sharper Blade is more ridged than string, you may feel the need to put pressure on the blade while edging. The more pressure you apply, the **FASTER** the blade will wear. In contrast, the less pressure you apply against hard surfaces, the **LONGER** the blade will last! The **SECRET** is to keep the blade just off the hard surface.
2. **NEVER FORCE** your Sharper Blade. High speed along with an impact against any hard surface may cause the blade to buckle near the center hub and tear. The **SECRET** is to allow the Sharper Blade to do **ALL** the work without extra effort.



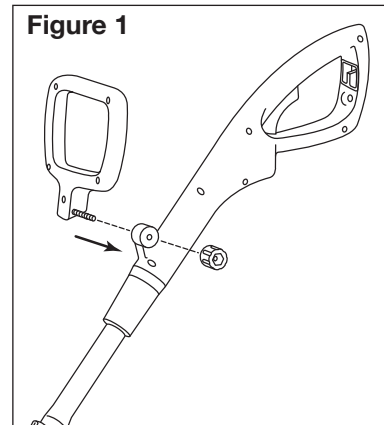
We sincerely hope you feel the Sharper Blade has helped you finish your work faster.

Warm regards,
Customer Service Staff
Sharper Blade™

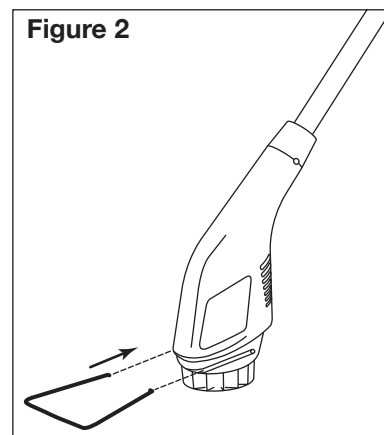
Assembly

Before using the Sharper Blade Electric Trimmer/Edger, follow these instructions to assemble:

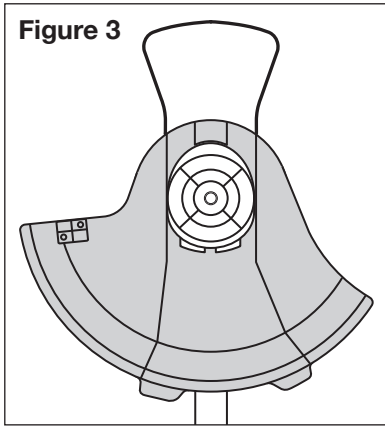
- 1) Remove the trimmer and parts from the box.



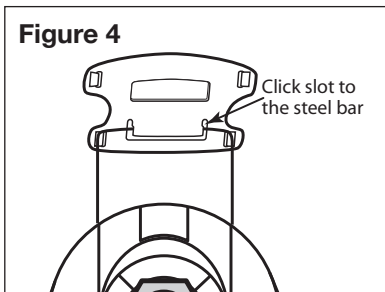
- 2) Assemble the assist handle by fixing the knob (Figure 1).



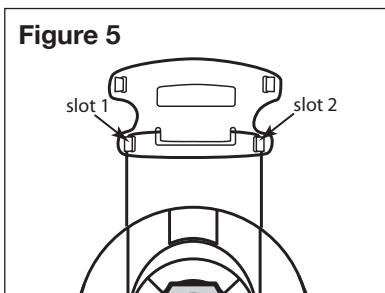
- 3) Insert the steel flower guard into the lower motor cover and lock in place (Figure 2).



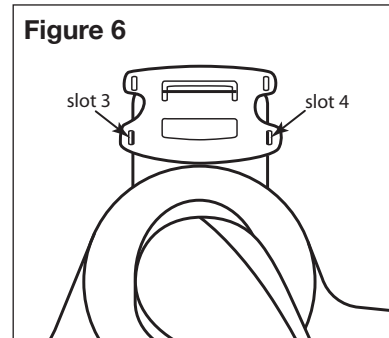
4) Place the Shield over the blade shaft and snap into place (Fig. 3).



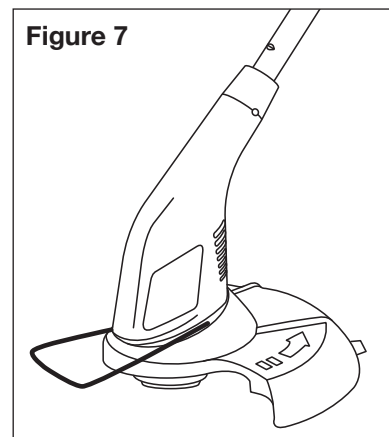
5) Assemble the plastic flower guard attachment to the steel flower guard. There are 3 positions to meet different blade lengths. First insert the slot of the plastic plate into the steel bar (Figure 4).



6) Rotate the plastic flower guard attachment away from you till the plastic is close to the steel bar and the two bottom corner slots of the plastic feet snap in place to the steel bar (Figure 5). This is position 1, the diameter of the protection area is 12 inches.



7) Turn the plastic flower guard attachment towards you till the plastic is close to the steel bar and the two bottom corner slots of the plastic feet snap to the steel bar (Figure 6). This is position 2, now the diameter of the protection area is 11 inches.

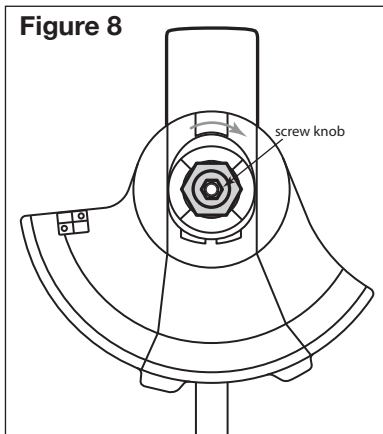


8) Remove the plastic flower guard attachment. (Figure 7). Now in position 3, the diameter of the protection area is 9.5 inches.

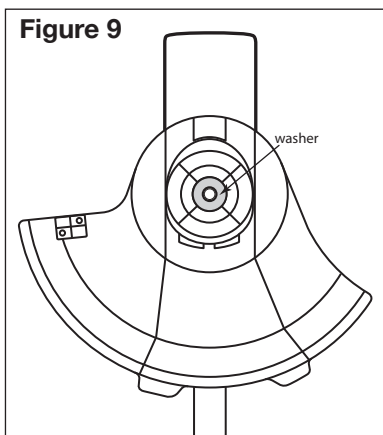
9) Ultimately you can remove the flower guard from the motor cover. This will allow you maximum use of the Sharper Blade.

NOTE: Be careful when operating the machine while steel flower guard is removed.

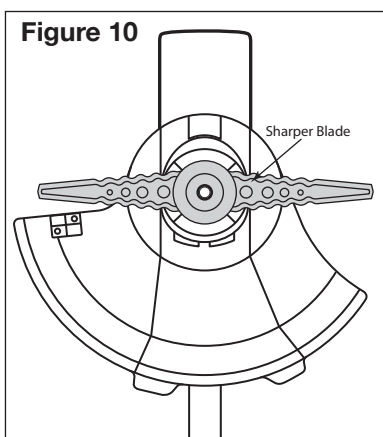
Installing or Changing Blade



1) Remove screw knob (Figure 8).

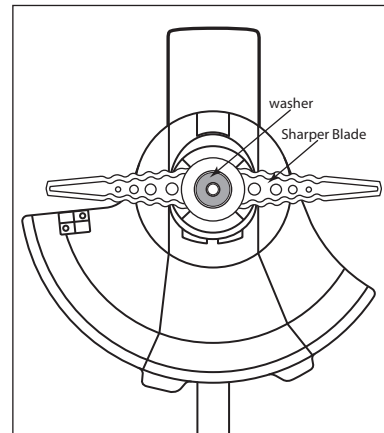


2) Remove the washer (Figure 9).



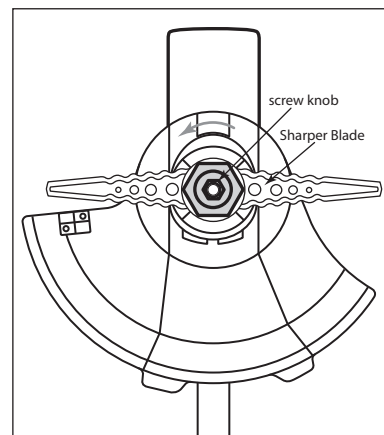
3) Assemble the Sharper Blade to the Electric Trimmer/Edger (Figure 10).

Figure 11



4) Place the washer on the Blade (Figure 11).

Figure 12



5) Tighten the screw knob (Figure 12).

Operation



⚠️WARNING:

Rocks or debris may ricochet or be thrown into eyes and face, cause blindness, or other serious injury. Never lean over the trimmer head and always wear eye protection.

When operating unit, stand as shown and check for the following:

- Wear eye protection and heavy clothing.
- Hold the trigger handle with one hand and adjustable handle with the other hand.
- Keep the trimmer below waist level.
- Cut only from your right to your left to ensure debris is thrown away from you. Without bending over, keep the trimmer near and parallel to the ground.

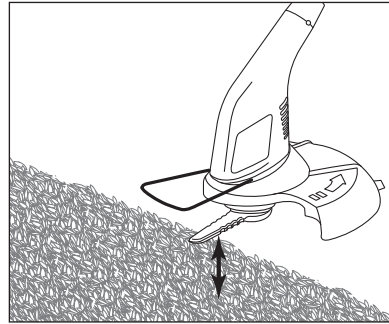
⚠️WARNING:

Use only Sharper Blade Electric Trimmer/Edger™ replacement blade. Other products will not work properly and will result in improper cutting head function or can cause serious injury. Do not use other materials such as steel blades, wire, string, rope, etc. Other materials can break off during cutting and become a dangerous missile that can cause serious injury.

TRIMMING

Hold the bottom of the trimmer head above the ground and at an angle if desired. Allow only the blade to make contact. Do not force blade into work area.

Trimming

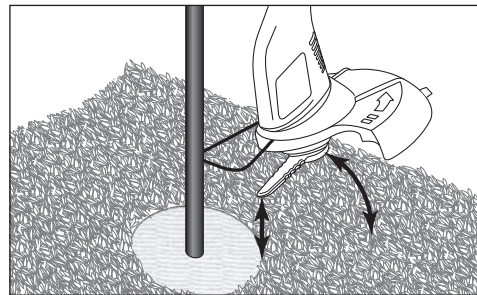


Blade above the ground

SCALPING

The scalping technique removes unwanted vegetation down to the ground. Hold the bottom of the trimmer head about 3 inches (8 cm) above the ground and at an angle. Allow the tip of the line to strike the ground around trees, posts, monuments, etc. This technique increases line wear.

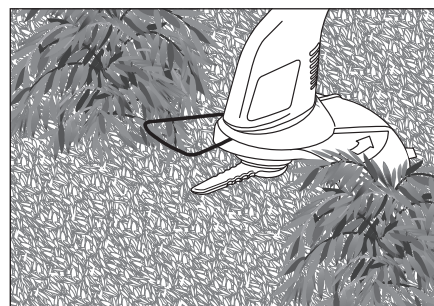
Scalping



MOWING

Your trimmer is ideal for mowing in places conventional lawn mowers cannot reach. In the mowing position, keep the line parallel to the ground. Avoid pressing the head into the ground as this can scalp the ground and damage the tool.

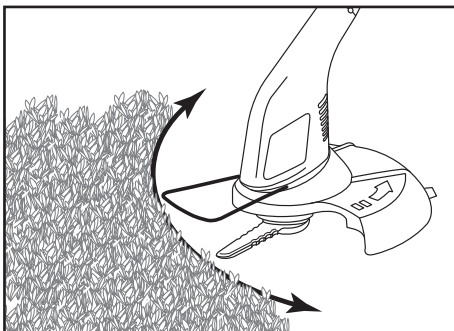
Mowing



SWEEPING

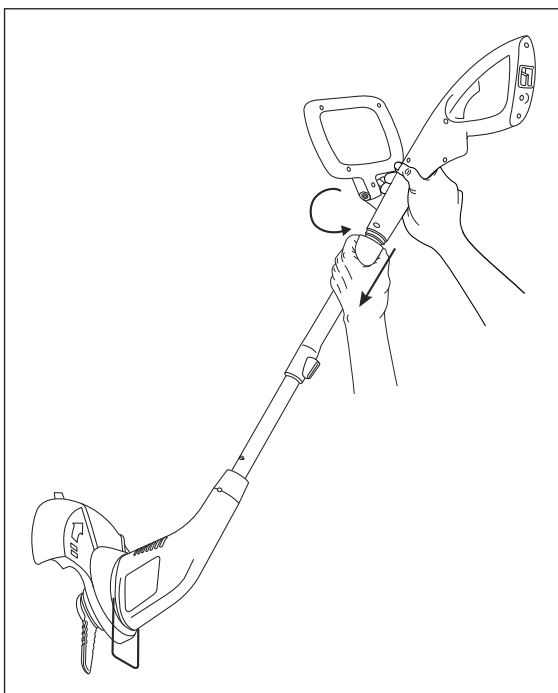
Fanning action can be used for quick and easy clean up. Keep the line parallel to and above the surfaces being swept and move the tool from side to side.

Sweeping



EDGING

To change your Sharper Blade Trimmer into an edger, you must slide down the Twist-N-Groom Shaft (black ring) $\frac{1}{2}$ ", and twist to rotate the black ring 180° in a clockwise direction.



To convert from edger back to trimmer, hold the green handle, slide the Twist-N-Groom Shaft (black ring) down $\frac{1}{2}$ ", and twist to rotate the black ring 180° anti-clockwise direction.

Maintenance

Before carrying out any maintenance operations, cut off the electric power supply by disconnecting the plug from the extension cable.

- Regular cleaning and maintenance of your grass trimmer will ensure efficiency and prolong the life of your machine.
- After each cutting operation, take apart and clean out the grass and soil from; the whole trimmer and guard.
- During operation, keep the air slots clean and free from grass.
- Only use a cloth soaked with hot water and a soft brush to clean the grass trimmer.
- Do not spray or wet the appliance with water.
- Do not use detergents or solvents as these could ruin the trimmer. The parts in plastic can easily be damaged by chemical agents.
- If cutting blade no longer cuts or breaks, have this replaced by contacting an authorized service center.

⚠ CAUTION!

The blade can give deep cuts.

- For repairs which have not been explained in these instructions, contact an authorized service center.

Trouble-Shooting

⚠ CAUTION!

Always disconnect the electric power supply before conducting maintenance or troubleshooting.

- If the grass trimmer vibrates: remove the spool and clean the slots, carefully remove any grass and weeds and so forth. If vibration persists after reassembly, replace the blade with a new one. In the event of the problem not disappearing, have the trimmer checked at an authorized service center.
- If the trimmer does not start: check all the electrical connections; make sure the safety circuit-breaker has not been activated; check that a fuse has blown in your electrical system. Take the trimmer to an authorized service center if the trimmer does not start after completing the checks.

Storage

Follow these recommendations for storing the grass trimmer.

- Carry out general cleaning of the grass trimmer and its ancillary parts (see maintenance paragraph), this prevents



A Two-Year Full Warranty for residential use in the United States and Canada



General Conditions:

Snow Joe, LLC warrants this product to the original purchaser for two years against defects in material or workmanship when used for normal residential purposes. Snow Joe, LLC will repair any defect in material or workmanship, and repair or replace any defective part, subject to the conditions, limitations, and exclusions set forth herein. Such repair or parts replacement will be free from charge to the original purchaser except noted below.

The duration of the warranty applies only if the product is put to personal use around the household or residence. If the product is put to any business use, commercial or industrial, then the duration of this warranty is 90 days from the date of original purchase. If any product is rented or leased, the duration of the warranty is 90 days from the date of original purchase.

It is the owner's responsibility to perform correctly all maintenance, and minor adjustments explained in the owner's manual.

Electric Products:

To obtain a replacement electric powered unit or repair the existing electric powered unit, you must return the complete unit, postage prepaid, to the Snow Joe Center, 86 Executive Avenue, Edison, NJ 08817

Gasoline / Battery Products:

Limitations

- Batteries are warranted only for the period of 12 months after the date of purchase on a prorated basis. Rechargeable batteries will be replaced free from charge during the first 90 days. After the initial 90 days, batteries will be replaced at prorated cost to the customer
- Idlers, cables, and electrical components are warranted to the original purchaser for use at household or residence for a period of two years

Exclusions

- Snow Joe Brand Engines are covered under this warranty. All other engines and engine accessories are covered only by the engine manufacturer's warranty and are not covered by this warranty
- Parts used that are not genuine Snow Joe parts are not covered by this warranty
- Damages resulting from misuse, alteration, improper assembly, improper adjustment, neglect, or accident which requires repair is not covered under this warranty
- Belts and Augers are not covered under warranty – Belts and Augers wear out and can be purchased at the Snow Joe center.

Snow Joe, LLC may from time to time change the design of its products. Nothing contained in this warranty shall be construed as obligating Snow Joe, LLC to incorporate such design changes into previously manufactured products, nor shall such changes be construed as an admission that previous designs were defective.

This warranty is intended to cover product defects only. Snow Joe, LLC is not liable for indirect, incidental, or consequential damages in connection with the use of the Snow Joe Products covered by this warranty. This warranty does not cover any cost or expense incurred by the purchaser in providing substitute equipment or service during reasonable periods of malfunction or non-use of this product, while waiting for completion of repairs under this warranty. Some states do not allow exclusions of incidental or consequential damages, so the above exclusions may not apply in all states. This warranty gives you specific legal rights in your state, which varies from state to state.

If you wish to contact Snow Joe, please direct inquiries to the:

Customer Service Department

Snow Joe Center

86 Executive Avenue

Edison, NJ 08817

Customers who have purchased Snow Joe products exported from the United States and Canada should contact their Snow Joe Distributor (Dealer) to obtain information applicable for your country, province, or state. If for any reason, you are not satisfied with the distributor's service, or if you have difficulty obtaining warranty information, contact your Snow Joe importer. If in the event your efforts are unsatisfactory, please write to the Snow Joe Center at the above address.

If you have any questions about your product warranty, please call 1-866-SNOW-JOE or visit us online at www.snowjoe.com.