

Please carefully read and save these instructions before attempting to assemble, maintain, install, or operate this product. Observe all safety information to protect yourself and others. Failure to observe the instructions may result in property damage and/or personal injury. Please keep instructions for future reference.

Important Operating Instructions



HVLP TOUCH UP SPRAY GUN

Model: 9410

CALIFORNIA PROPOSITION 65

WARNING: You can create dust when you cut, sand, drill or grind materials such as wood, paint, metal, concrete, cement, or other masonry. This dust often contains chemicals known to cause cancer, birth defects, or other reproductive harm. Wear protective gear.

WARNING: This product or its power cord may contain chemicals, including lead, known to the State of California to cause cancer and birth defects or other reproductive harm. Wash hands after handling.

Important!

When using equipment, a few safety precautions must be observed to avoid injuries and damage. Please read the complete operating manual with due care. Keep this manual in a safe place, so that the information is available at all times. If you give the equipment to any other person, give them these operating instructions as well. We accept no liability for damage or

accidents which arise due to non-observance of these instructions and the safety information herein.

SPECIFICATIONS

Air Inlet: 1/4 inch NPT

Avg. Air Consumption: 9 CFM

Max Air Pressure: 45 PSI

FEATURES

- Adjustable fan size
- The durable caps are made of brass (not aluminum)
- Lightweight, durable die-cast alloy gun body
- For use with lacquer, enamel, stain, primer, and urethane
- Designed for all your small jobs and touch up needs

CAUTION:

FOR YOUR OWN SAFETY, READ INSTRUCTION MANUAL COMPLETELY AND CAREFULLY BEFORE OPERATING THIS HVLP TOUCH UP SPRAY GUN.

Any failures made in following the safety regulations and instructions may result in an electric shock, fire and/or serious injury.

SAFETY INSTRUCTIONS

Keep work area clean and well lit. Cluttered, dim work areas invite accidents.

Observe work area conditions. Do not use the tool in the presence of flames or flammable liquids, gases, or dust.

Keep children away. Do not let them handle machines, tools, extension cords, or air hoses.

Store idle equipment. When not in use, the tool should be stored in a safe, dry location out of the reach of children.

Use the right tool for the job. Do not attempt to force a tool or attachment to do a job that it was not intended to do.

For warranty purchases, please keep your dated proof of purchase. File or attach to the manual for safekeeping.

The tool will do the job better and safer at the rate at which it was intended.

Dress properly. Do not wear loose clothing or jewelry as they can be caught in moving parts. Protective, electrically non-conductive clothes and non-skid footwear are recommended when working. Contain long hair.

Do not overreach. Keep proper footing and balance at all times. Do not reach over or across running tools or air hoses.

Disconnect air hoses and release any built-up pressure. Never service or disassemble the air sander with the air hose attached. Always release any built-up air even after disconnecting the hose. Disconnect the air sander when not in use.

Avoid unintentional starting. Be sure the trigger is in the OFF position before connecting the air supply. Do not carry the tool with your finger on the trigger, whether it is attached to the air source or not.

Stay alert. Watch what you are doing and use common sense when operating this tool. Do not use this tool while tired or under the influence of drugs, alcohol, or medication. A moment of inattention while operating this tool increases the risk of injury.

Use clean, dry, regulated, compressed air at 90 PSI.

Never use oxygen, carbon dioxide, combustible gases, or any other bottled gas as a power source for this tool.

Check for damaged parts. Before using any tool, any part that appears damaged should be carefully checked to determine that it will operate properly and perform its intended function. Check for misalignment or binding of moving parts, breakage of parts, and any other condition that may affect the tool's operation. If damaged, have the tool serviced before using. Do not use the tool if the trigger does not operate properly.

Replacement parts and accessories. This product is to be serviced by a qualified technician. When servicing, use only identical replacement parts. Only use accessories intended for use with this tool. Use of any other parts will void the warranty.

Maintenance. For your safety, this product should be serviced or repaired regularly by a qualified technician.

Do not operate the spray gun near open flames, pilot lights, heaters, or any other heat source. Make sure you have adequate ventilation. Most solvents and paints are extremely flammable, especially when sprayed. Never smoke cigarettes in the same room you are working in.

Read labels on cleaning solvents and paint coatings.

Chlorinated solvents such as 111-Trichlorethane and Methylene Chloride (also known as methyl-chloride) can chemically react with aluminum and may explode. Many paint sprayers contain aluminum. Contact solvent manufacturer or paint supplier if you are in doubt.

Paints and solvents may be harmful or fatal if swallowed or inhaled. Always use a respirator when spraying. Avoid prolonged skin contact with solvents or paints as they will irritate skin. After contact, immediately wash off exposed area with hot, soapy water.

Check all spray gun seals and connections. Before use, make sure the lid is fully tightened on the cup, ensure that the screws and nuts are correctly tightened, and make sure the air hose is securely fastened and does not leak.

WARNING

Never point the paint gun at yourself or any other person or animal. Solvents and diluting agents can cause burns.

WARNING

The warnings, cautions, and instructions discussed in this instruction manual cannot possibly cover all conditions and situations that may occur. It must be understood by the operator that common sense and caution are factors that cannot be built into this product, but must be supplied by the operator.

OPERATING INSTRUCTIONS

OPERATION

WARNING

Check to see that all nuts and bolts are tight. Always disconnect the unit from the air supply before carrying out any repair work.

1. Mount the nozzle set tightly. Align the air nozzle so that the number stamped on it can be read from the right way round.
2. Blow out the air hose before attaching it to the air connection. (Air hose pressure-resistant up to a minimum 10 bar and solvent-resistant. Total electric resistance less than 100 million Ohm.)
3. The paint spray gun has been treated with an anticorrosive agent before leaving the factory and must therefore be flushed out thoroughly with thinner before use.

ADJUSTING THE AIR VOLUME

The air supply can be regulated to suit all operational conditions. When the air adjustment valve is in the vertical position (parallel to the gun body), you get maximum atomization. When the air adjustment valve is in the horizontal position (across gun body), you will achieve minimum atomization.

WARNING

During operation, never remove the fluid control valve.

REDUCING THE MATERIAL VOLUME

The volume of material flowing from the nozzle and thus the needle stroke can be reduced easily by screwing in the material-volume regulation screw.

CHANGING THE NOZZLE SET

Always change the complete nozzle set whenever changing the nozzle size. The components, which consists of the air cap, fluid nozzle, and paint needle, are supplied as a complete set. Insert the paint nozzle before the paint needle.




EXCHANGE THE AIR PISTON AND PISTON PACKING

To replace the air piston, remove the hollow screw and detach the air adjustment valve. Pull out the spring and air piston. Exchange the air piston. Unscrew the stuffing box screw and remove the old packing. Insert new packing with the flat end first, and gently tighten the stuffing box screw towards the packing.

CLEANING AND MAINTENANCE

1. Flush the material-conveying parts of the gun thoroughly with thinner.
2. Clean the air nozzle with a paintbrush. Do not immerse the nozzle in thinner.
3. Under no circumstance try to clean the clogged openings using an unsuitable tool, since the slightest amount of damage adversely affects the spray pattern.

Troubleshooting Guide

Symptom	Possible Cause(s)	Corrective Action
Gun leaks from fluid tip	Foreign substances between fluid tip and needle preventing sealing	Clean the fluid needle and fluid nozzle with thinner or use a new set of nozzles.
Paint merges from fluid needle - needle sealing	Self tensioning needle sealing damaged or lost	Replace needle sealing
Spray pattern in sickle shape 	Horn air hose or air circuit clogged	Soak in thinner, then clean the nozzle and needle
Drop like or oval shaped pattern 	Dirt on fluid pin tip or air outlet	Turn air nozzle 180 degrees. If defective pattern remains, clean fluid tip pin and air circuit
Paint spray flutters 	Too little material in cup	Refill material
	Fluid nozzle not tight self-adjusting	Tighten parts
	Needle sealing damaged	Replace needle sealing
	Nozzle set dirty or damaged	Clean or replace, as needed
Material bubbles or "boils" in paint cup	Atomization air flows through the paint channel to the cup. The paint nozzle is not sufficiently tightened. Air nozzle is not completely screwed on. The air net is clogged and the seal is defective or the nozzle insert is damaged	Tighten parts accordingly, clean or replace

Limited Manufacturer Warranty

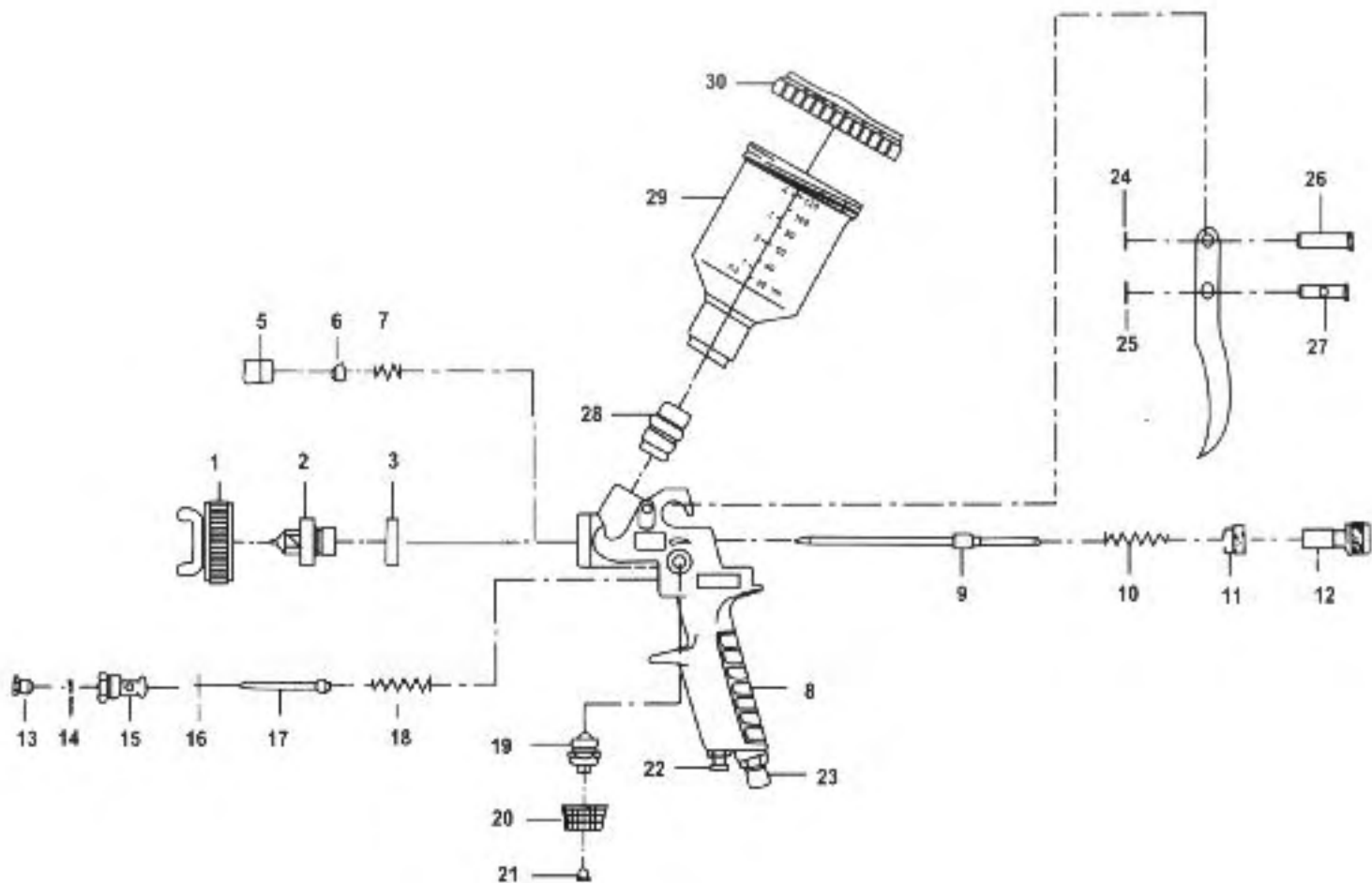
North American Tool (NAT) Industries makes every effort to ensure that this product meets high quality and durability standards. NAT warrants to the original retail consumer a 1-year limited warranty from the date the product was purchased at retail and each product is free from defects in materials. Warranty does not apply to defects due directly or indirectly to misuse, abuse, negligence, or accidents, repairs or alterations, or a lack of maintenance. NAT shall in no event be liable for death, injuries to persons or property, or for incidental, special, or consequential damages arising from the use of our products. To receive service under warranty, the original manufacturer part must be returned for examination by an authorized service center. Shipping and handling charges may apply. If a defect is found, NAT will either repair or replace the product at its discretion.

DO NOT RETURN TO STORE

For Customer Service:

Email: feedback@natitools.com or Call 1-800-348-5004

Parts List



Call 1-800-348-5004 for assistance or replacement parts

Please provide the following information:

- Model number
- Part description and number as shown in parts list
- Serial number (if any)

Address any correspondence to:

North American Tool Industries
 84 Commercial Rd
 Huntington, IN 46750

No.	Description
1	Air Nozzle w/ Brass Cap
2	Fluid Nozzle
3	Piston Ring
5	Compression Screw
6	Sealing for Air Piston
7	Compression Spring for Needle Seal
8	Gun Body
9	Fluid Needle
10	Spring for Paint Needle
11	Screw Nut
12	Fluid Control Knob
13	Stuffing Box for Air Piston
14	Packing for Air Piston
15	Air Switch Valve
16	Piston Ring

No.	Description
17	Air Piston Complete
18	Spring for Air Piston
19	Spindle Complete
20	Control Knob
21	Counter Sunk Screw
22	Air Adjust Valve Assembly
23	Air Correction Piece R 1/4 inch
24	Locking Plate
25	Locking Plate
26	Bolt
27	Trigger Sleeve
28	Paint Connection
29	Plastic Cup
30	Cover