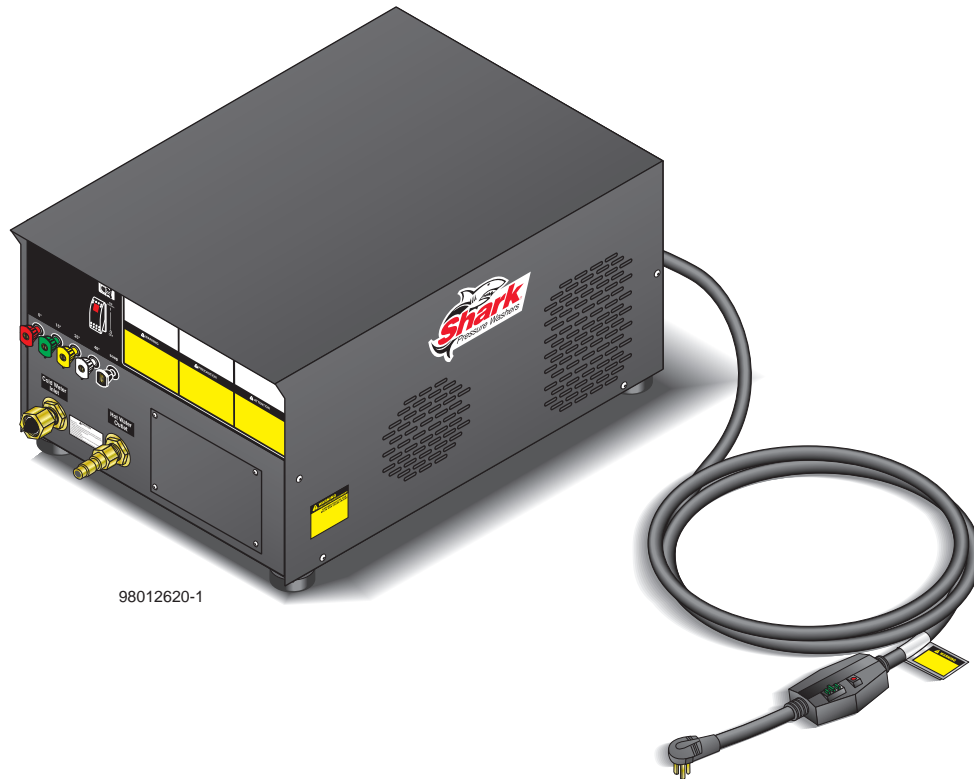




# CB

# OPERATOR'S MANUAL



98012620-1



<u>MODEL #</u>	<u>ORDER #</u>	<u>MODEL #</u>	<u>ORDER #</u>
CB-301007D	1.106-551.0	CB-353007A	1.106-556.0
CB-402007A	1.106-552.0	CB-353007B	1.106-557.0
CB-402007B	1.106-553.0	CB-353007C	1.106-558.0
CB-402007C	1.106-554.0	CB-353007G	1.106-559.0
CB-402007H	1.106-555.0	CB-353007H	1.106-560.0

To locate your local Shark Commercial Pressure Washer Dealer nearest you,  
visit [www.Sharkpw.com](http://www.Sharkpw.com)

9.801-262.0



# CONTENTS

Important Safety Information	4-5
Component Identification	6
Assembly Instructions	7
Operating Instructions	8
Applying Detergent & General Operating Techniques	9
Shut Down & Clean-Up	10
Storage	10
Troubleshooting	11
Preventative Maintenance	12
Oil Change Record	12
Hose & Spray Gun Assembly & Parts List	13
Exploded View	14-15
Exploded View Parts List	16-17
VB8 Valve Exploded View and Parts List	18
Pump Exploded View and Parts List	19
Specifications Page	20-21
Multi-Room Installation Guide	22
KD Pump Exploded View and Parts List	23-24
KM Series Pump Exploded View and Parts List	25-26
VRT 3 Unloader Exploded View and Parts List	27
Warranty	

Model Number \_\_\_\_\_

Serial Number \_\_\_\_\_

Date of Purchase \_\_\_\_\_

The model and serial numbers will be found on a decal attached to the pressure washer. You should record both serial number and date of purchase and keep in a safe place for future reference.

# INTRODUCTION & IMPORTANT SAFETY INFORMATION

Thank you for purchasing a Shark Pressure Washer. We reserve the right to make changes at any time without incurring any obligation.

## Owner/User Responsibility:

The owner and/or user must have an understanding of the manufacturer's operating instructions and warnings before using this pressure washer. Warning information should be emphasized and understood. If the operator is not fluent in English, the manufacturer's instructions and warnings shall be read to and discussed with the operator in the operator's native language by the purchaser/owner, making sure that the operator comprehends its contents.

Owner and/or user must study and maintain for future reference the manufacturers' instructions.

The operator must know how to stop the machine quickly and understand the operation of all controls. Never permit anyone to operate the engine without proper instructions.

## SAVE THESE INSTRUCTIONS

This manual should be considered a permanent part of the machine and should remain with it if machine is resold.

When ordering parts, please specify model and serial number. Use only identical replacement parts.

This machine is to be used only by trained operators.

## IMPORTANT SAFETY INFORMATION



**WARNING:** To reduce the risk of injury, read operating instructions carefully before using.

1. Read the owner's manual thoroughly. Failure to follow instructions could cause malfunction of the machine and result in death, serious bodily injury and/or property damage.
2. Know how to stop the machine and bleed pressure quickly. Be thoroughly familiar with the controls.
3. Stay alert — watch what you are doing.
4. All installations must comply with local codes. Contact your electrician, plumber, utility company or the selling distributor for specific details. If your machine is rated 250 volts or less, single phase will be provided with a ground fault circuit interrupter (GFCI). If rated more than 250 volts, or

more than single phase this product should only be connected to a power supply receptacle protected by a GFCI.

**DANGER:** Improper connection of the equipment-grounding conductor can result in a risk of electrocution. Check with a qualified electrician or service personnel if you are in doubt as to whether the outlet is properly grounded. Do not modify the plug provided with the product - if it will not fit the outlet, have a proper outlet installed by a qualified electrician. Do not use any type of adaptor with this product



**WARNING:** Keep wand, hose, and water spray away from electric wiring or fatal electric shock may result.

5. To protect the operator from electrical shock, the machine must be electrically grounded. It is the responsibility of the owner to connect this machine

to a UL grounded receptacle of proper voltage and amperage ratings. Do not spray water on or near electrical components. Do not touch machine with wet hands or while standing in water. Always disconnect power before servicing.



**WARNING:** Flammable liquids can create fumes which can ignite, causing property damage or severe injury.

**WARNING:** Risk of explosion — Do not spray flammable liquids.

6. Do not allow acids, caustic or abrasive fluids to pass through the pump.
7. Never run pump dry or leave spray gun closed longer than 1-2 minutes.
8. Keep operating area clear of all persons.



**WARNING:** High pressure spray can cause paint chips or other particles to become airborne and fly at high speeds. To avoid personal injury, eye, hand and foot safety devices must be worn.

9. Eye, hand, and foot protection must be worn when using this equipment.

# IMPORTANT SAFETY INFORMATION



**WARNING:** Grip cleaning wand securely with both hands before starting. Failure to do this could result in injury from a whipping wand.



**WARNING:** Be extremely careful when using a ladder, scaffolding or any other relatively unstable location. The cleaning area should have adequate slopes and drainage to reduce the possibility of a fall due to slippery surfaces.



**WARNING:** High pressure developed by these machines will cause personal injury or equipment damage. Keep clear of nozzle. Use caution when operating. Do not direct discharge stream at people, or severe injury or death will result.



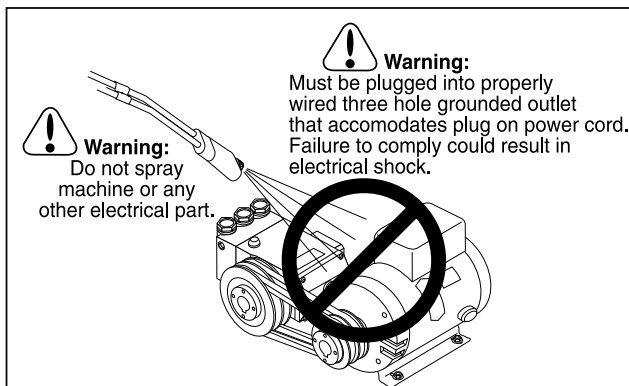
Follow the maintenance instructions specified in the manual.

10. To reduce the risk of injury, close supervision is necessary when a machine is used near children. Do not allow children to operate the pressure washer. **This machine must be attended during operation.**
11. Never make adjustments on machine while in operation.
12. Be certain all quick coupler fittings are secured before using pressure washer.

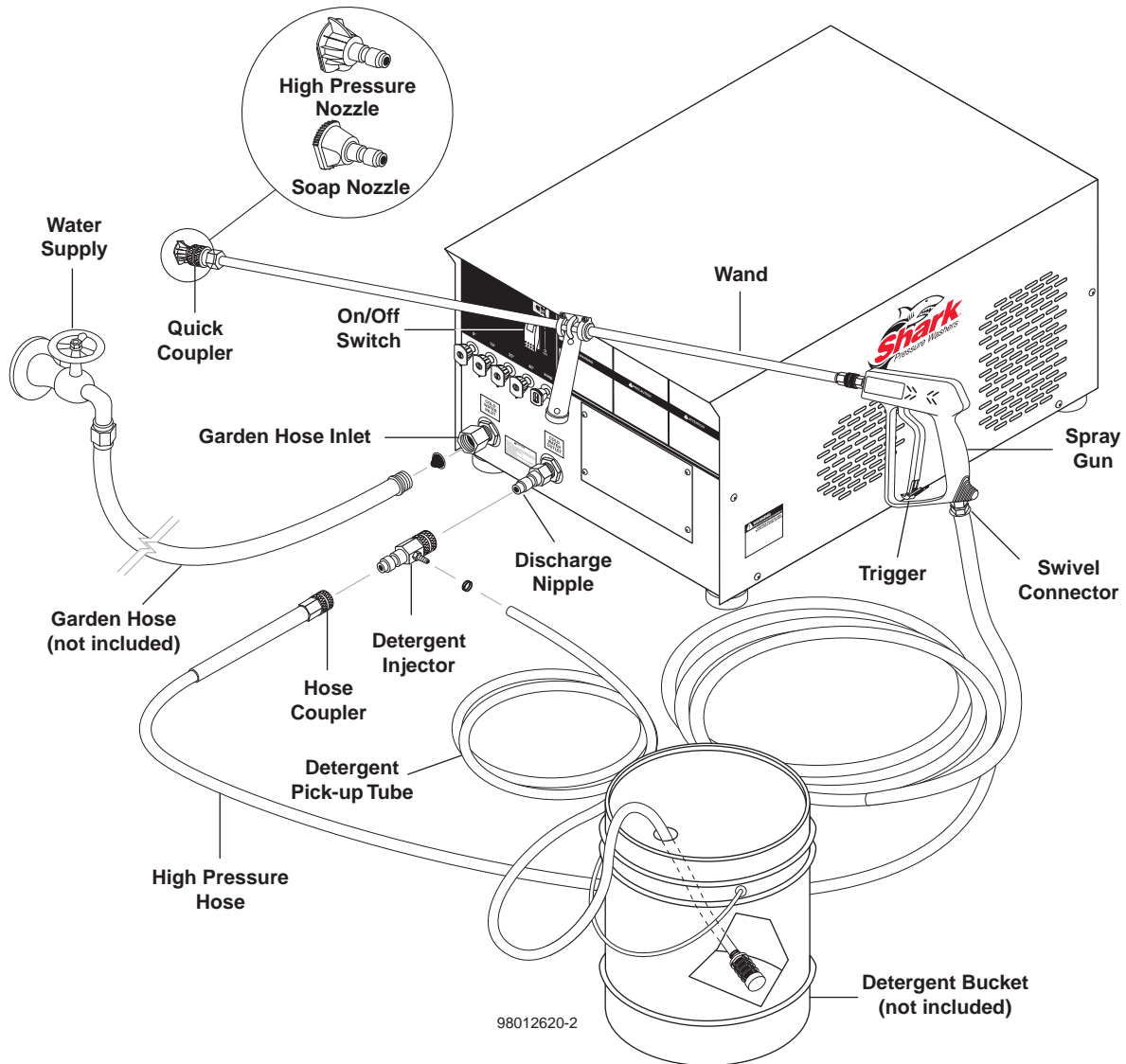


**WARNING:** Protect machine from freezing.

13. To keep machine in best operating conditions, it is important you protect machine from freezing. Failure to protect machine from freezing could cause malfunction of the machine and result in death, serious bodily injury, and/or property damage. Follow storage instructions specified in this manual.
14. Inlet water must be clean fresh water and no hotter than 185°F.
15. Manufacturer will not be liable for any changes made to our standard machines or any components not purchased from us.
16. The best insurance against an accident is precaution and knowledge of the machine.



## COMPONENT IDENTIFICATION



98012620-2

**Detergent Injector** - Allows you to siphon and mix detergents, when used with soap nozzle.

**High Pressure Hose** — Connect one end to water pump discharge nipple and the other end to spray gun.

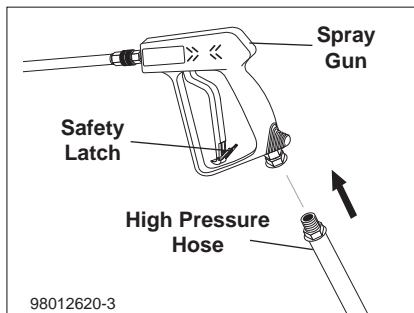
**Spray Gun** — Controls the application of water and detergent onto cleaning surface with trigger device. Includes safety latch.

**Wand** — Must be connected to the spray gun.

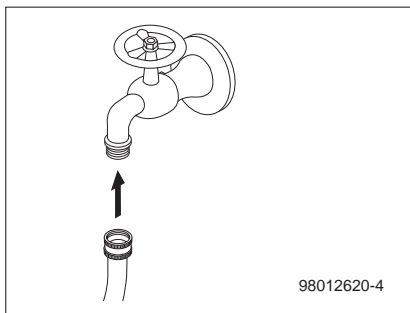
**Swivel Connector** - Allows free range of movement to avoid coiling hoses.

**NOTE:** If trigger on spray gun is released for more than 2 minutes, water will leak from pump protector valve. Warm water will discharge onto floor and cool water will allow the pump protector to seal. This system prevents internal pump damage.

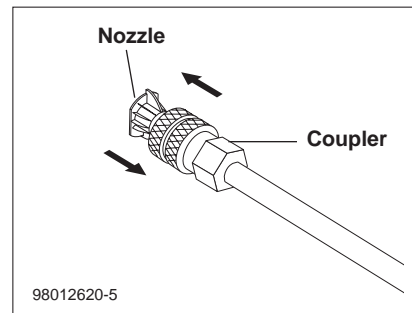
# ASSEMBLY INSTRUCTIONS



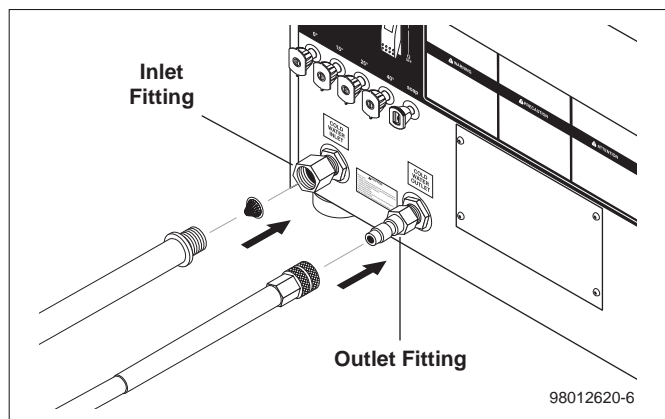
**STEP 1:** Attach the high pressure hose to the spray gun using teflon tape on hose threads. Use safety latch to prevent from opening.



**STEP 2:** Connect garden hose to the cold water source. Before installing nozzle, turn on water supply and run machine, allowing water to flush through the system until clear.

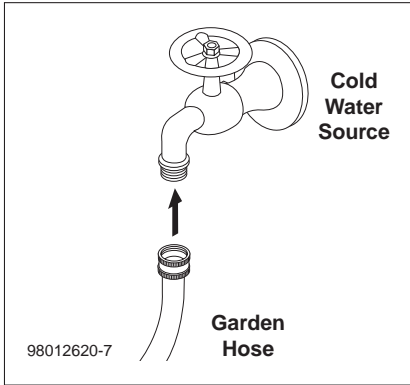


**STEP 3:** Insert nozzle into coupler. Release the coupler collar and push the nozzle until the collar clicks. Pull the nozzle to make sure it is seated properly.

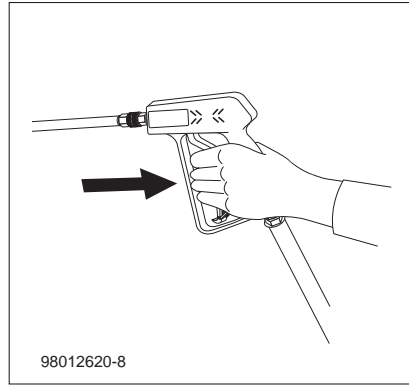


**STEP 4:** Connect the high pressure hose to the outlet discharge fitting. Push coupler collar forward until secure. Connect the garden hose to pump water inlet. Inspect inlets. **CAUTION: Do not run the pump without water or pump damage will result.**

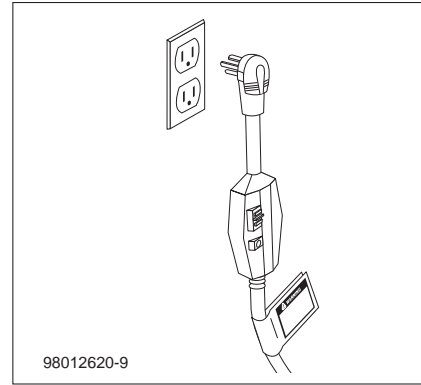
## OPERATING INSTRUCTIONS



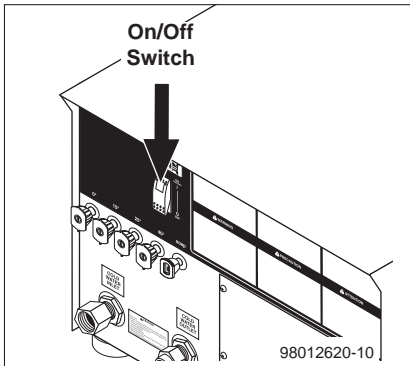
**STEP 1:** Connect garden hose to the cold water source and turn water on completely. Never use hot water.



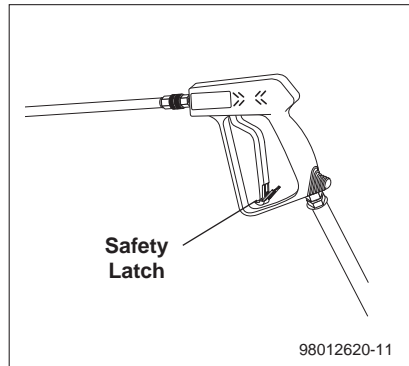
**STEP 2:** Trigger the spray gun to eliminate trapped air then wait for a steady flow of water to emerge from the spray wand. Then install nozzle.



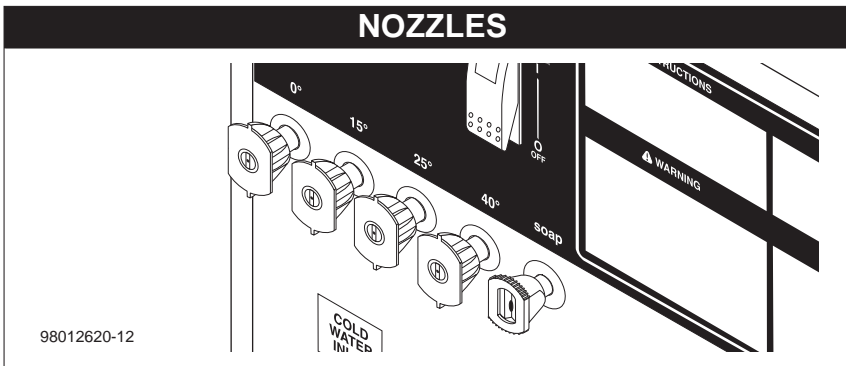
**STEP 3:** Connect to appropriate power supply. Push GFCI reset button.



**STEP 4:** Turn machine on by pushing on/off switch at front of machine.



**⚠ WARNING!** Never replace nozzles without engaging the safety latch on the spray gun trigger.



The five color-coded quick connect nozzles provide a wide array of spray widths from 0° to 40° and are easily accessible when placed in the convenient rubber nozzle holder, which is provided on the front of the machine.

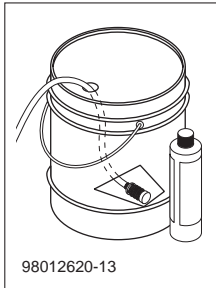
**NOTE:** For a more gentle rinse, select the white 40° or green 25° nozzle. To scour the surface, select the yellow 15° or red 0° nozzle. To apply detergent select the black nozzle.



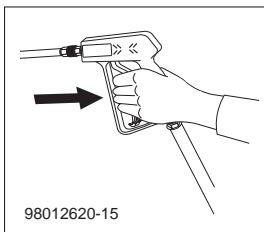
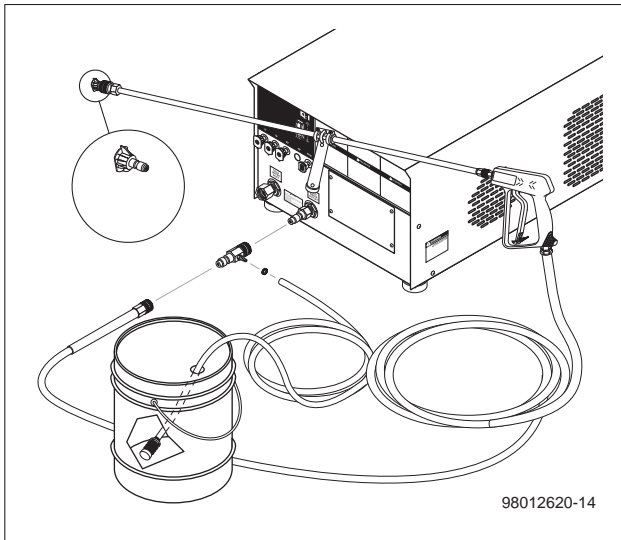
# DETERGENTS AND GENERAL OPERATING TECHNIQUES



**WARNING:** Some detergents may be harmful if inhaled or ingested, causing severe nausea, fainting or poisoning. The harmful elements may cause property damage or severe injury.



**STEP 1:** Use detergent designed specifically for pressure washers. Household detergents could damage the pump. Prepare detergent solution as required by the manufacturer. Fill a container with pressure washer detergent. Place the filter end of detergent suction tube into the detergent container.



**STEP 2:** Apply safety latch to spray gun trigger. Secure black detergent nozzle into quick coupler. **NOTE:** Detergent cannot be applied using the Yellow nozzle.

**STEP 3:** With the motor running, pull trigger to operate machine. Liquid detergent is drawn into the machine and mixed with water. Apply detergent to work area. Do not allow detergent to dry on surface.

**IMPORTANT:** You must flush the detergent injection system after each use by placing the suction tube into a bucket of clean water, then run the pressure washer in low pressure for 1-2 minutes.

## THERMAL PUMP PROTECTION

If you run your pressure washer for 2 minutes without pressing the trigger on the spray gun, circulating water in the pump can reach high temperatures. When the water reaches this temperature, the pump protector engages and cools the pump by discharging the warm water onto the ground. This thermal device prevents internal damage to the pump.

## CLEANING TIPS

Pre-rinse cleaning surface with fresh water. Place detergent suction tube directly into cleaning solution and apply to surface at low pressure (for best results, limit your work area to sections approximately 6' square and always apply detergent from bottom to top). Allow detergent to remain on surface 1-3 minutes. Do not allow detergent to dry on surface. If surface appears to be drying, simply wet down surface with fresh water. If needed, use brush to remove stubborn dirt. Rinse at high pressure from top to bottom in an even sweeping motion keeping the spray nozzle approximately 1' from cleaning surface. Use overlapping strokes as you clean and rinse any surface. For best surface cleaning action spray at a slight angle.

### Recommendations:

- Before cleaning any surface, an inconspicuous area should be cleaned to test spray pattern and distance for maximum cleaning results.
- If painted surfaces are peeling or chipping, use extreme caution as pressure washer may remove the loose paint from the surface.
- Keep the spray nozzle a safe distance from the surface you plan to clean. High pressure wash a small area, then check the surface for damage. If no damage is found, continue to pressure washing.

### CAUTION - Never use:

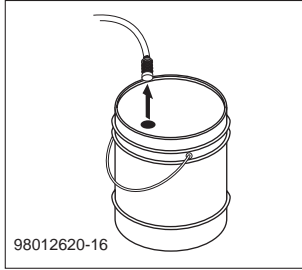
- Bleach, chlorine or other corrosive chemicals
- Liquids containing solvents (i.e., paint thinner, gasoline, oils)
- Tri-sodium phosphate products
- Ammonia products
- Acid-based products

These chemicals will harm the machine and will damage the surface being cleaned.

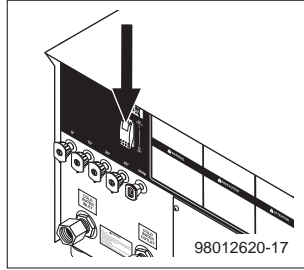
## RINSING

It will take a few seconds for the detergent to clear. Apply safety latch to spray gun. Remove black soap nozzle from the quick coupler. Select and install the desired high pressure nozzle. **NOTE:** You can also stop detergent from flowing by simply removing detergent siphon tube from bottle.

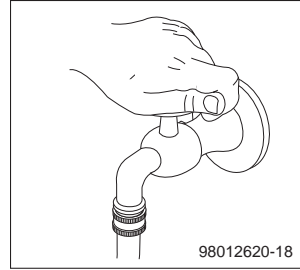
## SHUTTING DOWN AND CLEAN-UP



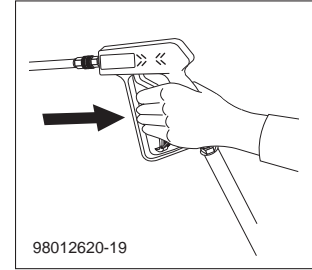
**STEP 1:** Remove detergent suction tube from soap container and insert into one gallon of fresh water. Use black soap nozzle with detergent injector. Pull trigger on spray gun and siphon water for one minute.



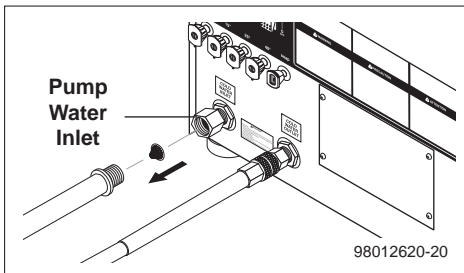
**STEP 2:** Turn off machine by pushing switch on front panel.



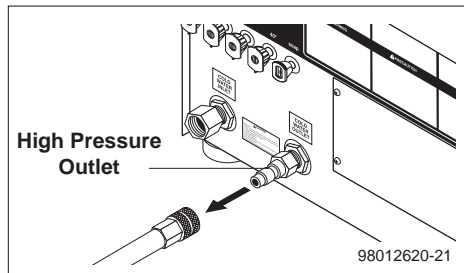
**STEP 3:** Turn off water supply.



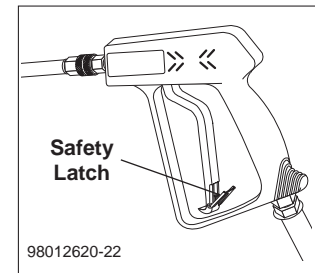
**STEP 4:** Press trigger to release water pressure.



**STEP 5:** Disconnect the garden hose from the water inlet on the machine. Protect from freezing.



**STEP 6:** Disconnect the high pressure hose from high pressure outlet.



**STEP 7:** Engage the spray gun safety lock.

## STORAGE

### Pump Storage



**CAUTION**

**CAUTION:** Always store your pressure washer in a location where the temperature will not fall below 32° F (0° C). The pump in this machine is susceptible to permanent damage if frozen.

#### **FREEZE DAMAGE IS NOT COVERED BY WARRANTY.**

If you must store your pressure washer in a location where the temperature is below 32° F, you can minimize the chance of damage to your machine by draining your machine as follows:

1. Stop the pressure washer and detach supply hose and high pressure hose. Squeeze the trigger of the spray gun to drain all water from the wand and hose.
2. Restart pressure washer and let it run briefly (about 5 seconds) until water no longer discharges from the high pressure outlet.

## TROUBLESHOOTING

PROBLEM	POSSIBLE CAUSE	SOLUTION
<b>PUMP RUNNING NORMALLY BUT PRESSURE LOW ON INSTALLATION</b>	Pump sucking air	Check water supply and possibility of air.
	Check valves sticking	Check and clean or replace if necessary.
	Unloader valve seat faulty	Check and replace if necessary.
	Nozzle incorrectly sized	Check and replace if necessary.
	Worn piston packing	Check and replace if necessary.
<b>FLUCTUATING PRESSURE</b>	Valves worn	Check and replace if necessary.
	Blockage in valve	Check and clean if necessary.
	Pump sucking air	Check water supply connections.
	Worn piston packing	Check and replace if necessary.
	Insufficient water	Check filter and hose for breakage.
<b>PRESSURE LOW AFTER PERIOD OF NORMAL USE</b>	Nozzle worn	Check and replace if necessary.
	Suction or delivery valves worn	Check and replace if necessary.
	Suction or delivery valves blocked	Check and clean if necessary.
	Unloader valve seat worn	Check and replace if necessary.
	Unloader adjusted improperly	Call local Landa dealer. Tampering with the factory setting may cause personal injury and/or property damage and will void the manufacturer's warranty.
	Worn piston packing	Check and replace if necessary.
	Bypass valve within unloader is obstructed or leaking	Remove and clean bypass cartridge.
<b>PUMP NOISY</b>	Air in suction line	Check water supply and connections on suction line.
	Broken or weak suction or delivery valve spring	Check and replace if necessary.
	Foreign matter in valves	Check and clean if necessary.
	Worn bearings	Check and clean if necessary.
	Excessive temperature of water	Reduce to below 140°F.
<b>PRESENCE OF WATER IN PUMP OIL</b>	Oil seal worn	Check and replace if necessary.
	High humidity in air	Check and change oil twice as often.
	Piston packing worn	Check and replace if necessary.
<b>WATER DRIPPING FROM UNDER PUMP</b>	Piston packing worn	Check and replace if necessary.
	O-Ring plunger retainer worn	Check and replace if necessary.
<b>OIL DRIPPING FROM PUMP</b>	Oil seal worn	Check and replace if necessary.
<b>EXCESSIVE VIBRATION IN HIGH PRESSURE HOSE</b>	Irregular functioning of the pump valves	Check and replace if necessary.
	Obstruction in filter	Clean inlet filter.
<b>MOTOR WILL NOT RUN</b>	Motor overload	Push in the overload button located on the motor (single phase) or the overload button on the magnetic start switch (three phase).
	Step down transformer fuses	Check fuses and voltage. Replace if necessary.
	Coil of magnetic starter defective	Replace coil after the timer and unloader switch have been tested.
<b>MACHINE WILL NOT TURN ON WHEN SWITCH IS PUSHED</b>	Timer is defective	Join wires 15 and 16 together on timer. If machine works, replace timer.

## PREVENTATIVE MAINTENANCE

### PREVENTATIVE MAINTENANCE

This pressure washer was produced with the best available materials and quality craftsmanship. However, you as the owner, have certain responsibilities for the correct care of the equipment. Attention to regular preventative maintenance procedure will assist in preserving the performance of your equipment. Contact your dealer for maintenance. Regular preventative maintenance will add many hours to the life of your pressure washer. Perform maintenance more often under severe conditions.

MAINTENANCE SCHEDULE		
<b>Pump Oil</b>	Inspect	25 Hours or Weekly
	Change	Yearly
<b>Check Valve Clearance</b>		Yearly
<b>Water Filter</b>	Inspect	Every 6 Hours or Daily
	Clean	Yearly

### OIL CHANGE RECORD

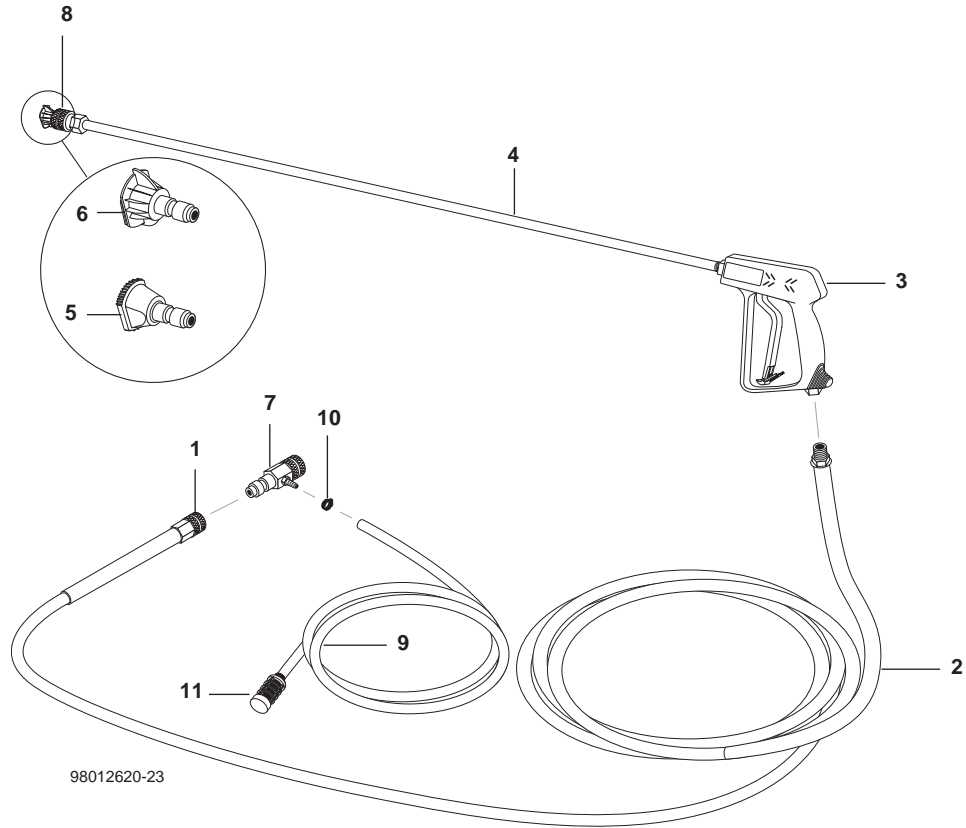
Check pump oil level before first use. Change pump oil after first 50 hours and every month or 500 hours thereafter.

Use SAE 30 weight oil.

Date Oil Changed Month/Day/Year	Estimated Operating Hours Since Last Oil Change

Date Oil Changed Month/Day/Year	Estimated Operating Hours Since Last Oil Change

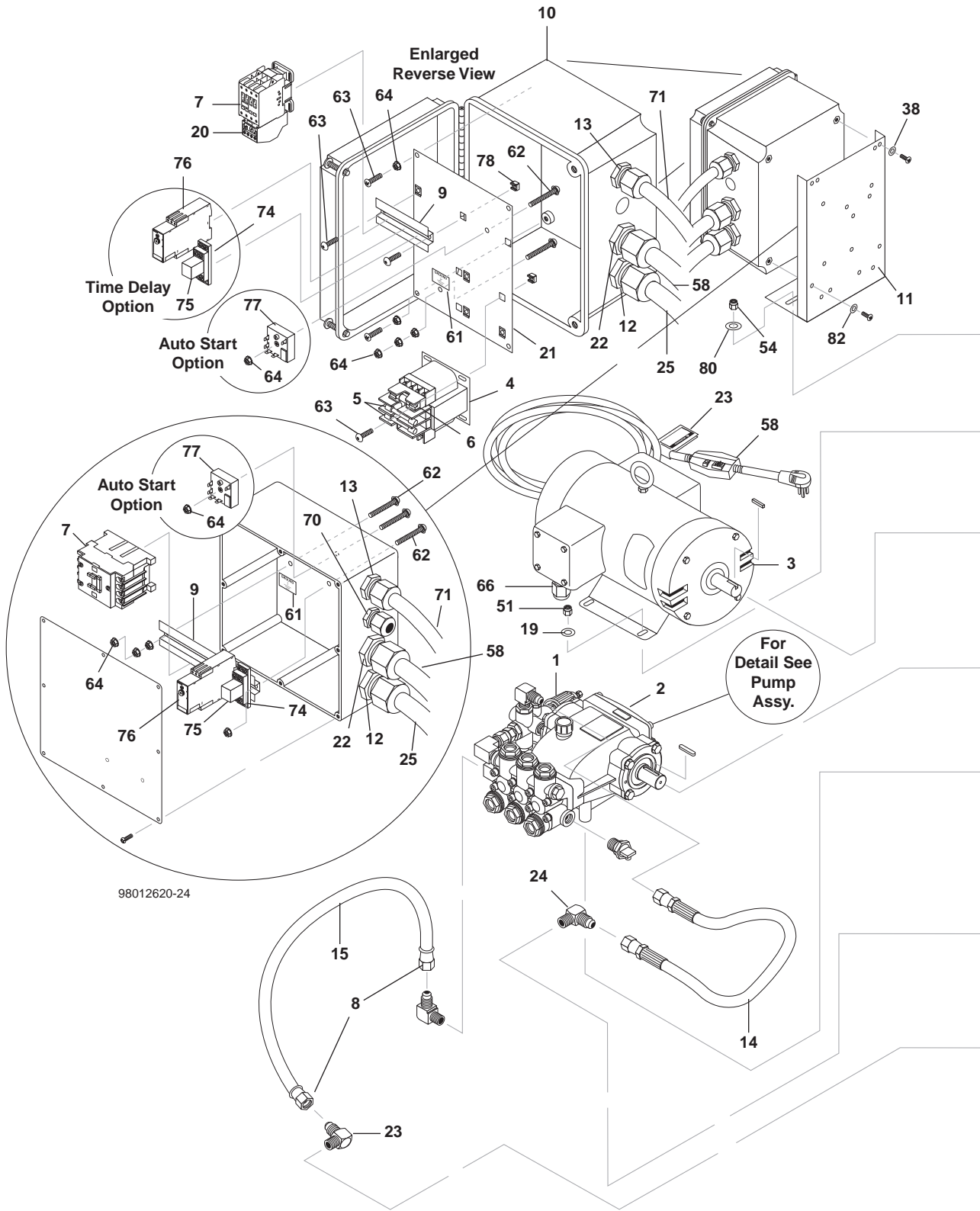
## HOSE & SPRAY GUN ASSEMBLY



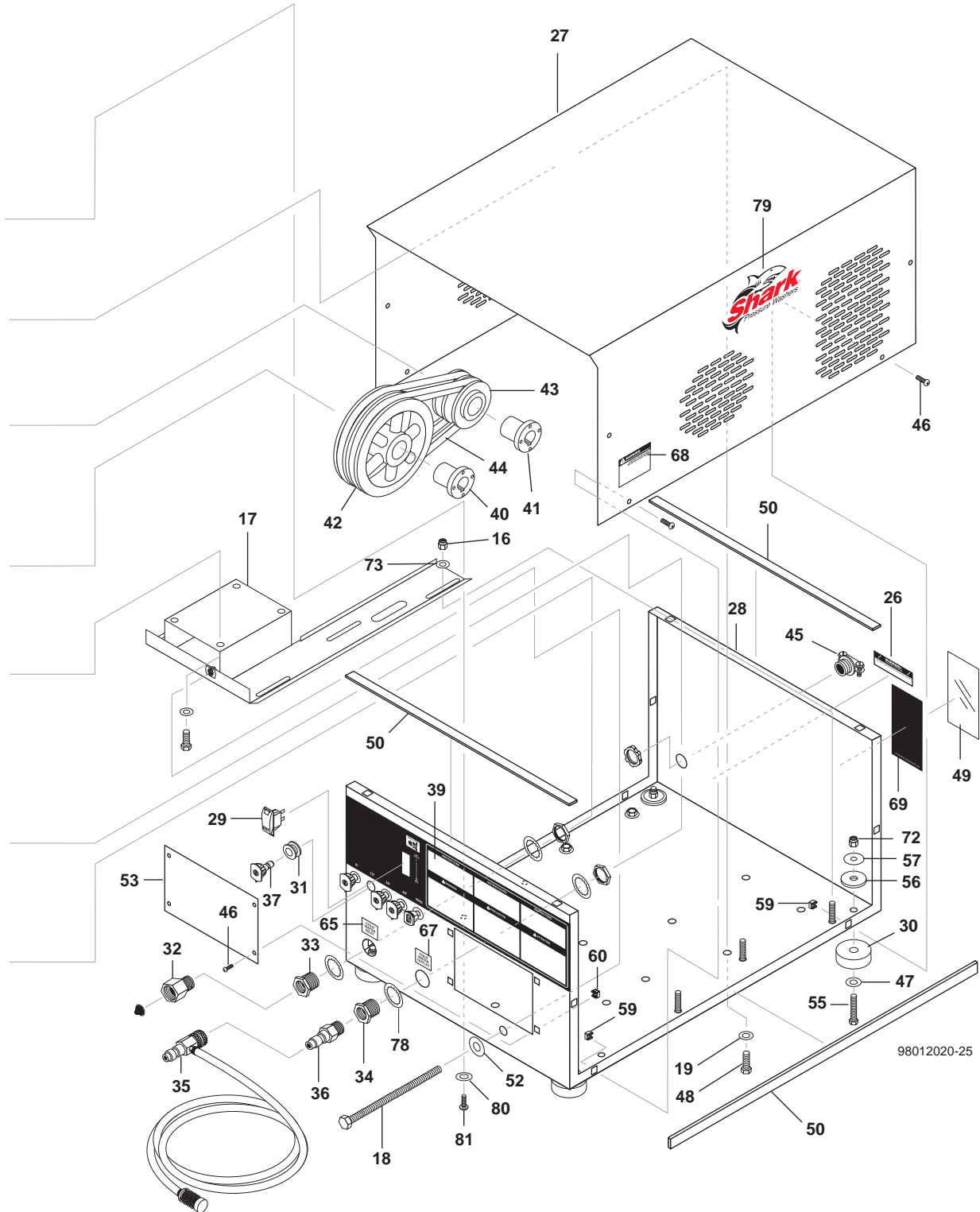
## HOSE & SPRAY GUN ASSEMBLY PARTS LIST

ITEM	PART NO.	DESCRIPTION	QTY
1	9.802-166.0	Coupler, 3/8" Female	1
	9.802-100.0	Quick Coupler O-Ring	1
2	8.739-125.0	Hose, 3/8" x 50', 1 Wire, Tuff-Flex	1
3	8.701-384.0	Gun, ST-1500, 5000 10.4 GPM	1
4	9.802-219.0	Wand w/Side Grip	1
5	8.712-398.0	Nozzle, Soap, Brass	1
6		Nozzle, See Exploded View Parts List	
7	9.802-216.0	Injector, Detergent Adj., 3-5 GPM 0.083	1
8	9.802-164.0	Coupler, 1/4" Female	1
	9.802-096.0	Quick Coupler O-Ring	1
9	9.802-251.0	Tube, 1/4" x 1/2" Clear Vinyl	6 ft.
10	6.390-126.0	Clamp, Hose	2
11	8.707-057.0	Strainer	1

# EXPLODED VIEW



# EXPLODED VIEW



## EXPLODED VIEW PARTS LIST

ITEM	PART NO.	DESCRIPTION	QTY	ITEM	PART NO.	DESCRIPTION	QTY
1		Unloader, See Specifications Pages		25	9.802-436.0	Cord, Serv, SEO, 10/3 Coleman, Motor (552.0)	3.33 ft.
2		Pump, See Specifications Pages			9.802-437.0	Cord Service, 10/4, Motor (560.0)	3.33 ft.
3		Motor, See Specifications Pages			9.802-428.0	Cord, Service, 12/3, Motor (551.0)	4.25 ft.
4	9.802-551.0	Transformer (552.0, 553.0 554.0, 556.0, 557.0, 558.0)	1		9.802-425.0	Cord, Service, 8/3, Motor (556.0, 559.0)	3.33 ft.
	9.804-556.0	Transformer (555.0, 559.0, 560.0)	1		9.802-429.0	Cord Service, 12/4, Motor (553.0, 554.0, 555.0, 557.0, 558.0)	3.33 ft.
5	8.933-007.0	Fuse, ATMR, 1 Amp, 600V (552.0, 553.0, 550.0, 556.0, 557.0, 559.0, 560.0)	2	26	9.800-016.0	Label, Disconnect Power Supply	1
	9.802-462.0	Fuse, 1/2 Amp, 600V (554.0, 558.0)	2	27	9.802-879.0	Cover, Cabinet, Cold Water, Black	1
6	9.802-463.0	Fuse, Paper, Buss FNM-1/2, 250V Midget	1	28	9.802-875.0	Base Cabinet, Cold Water, Wrinkle Black	1
7		Contactactor, See Specification Pages		29	9.802-451.0	Switch, Rocker, Carling w/Green Lens	1
8	9.802-151.0	Swivel, 1/2" JIC Fem, Push-On	2		9.802-452.0	Switch, Rocker, Carling Red (Time-Delay Shutdown Option)	1
9	9.802-457.0	Din Rail, 35 mm	4"	30	9.802-066.0	Pad, Soft Rubber, Duro 50	4
10	9.802-476.0	Box, Plastic, 10" x 8" x 6" w/Lid	1	31	9.802-064.0	Grommet, Rubber (Nozzle Holder)	5
	9.802-475.0	Box, Plastic 8" x 8" x 4" (551.0)	1	32	9.802-146.0	Swivel, 1/2" MP x 3/4" GHF w/Strainer	1
11	9.803-038.0	Bracket, Electric Box Support	1	33	8.707-000.0	Connector, 1/2" Anchor	1
12	9.802-515.0	Strain Relief, STRT, LQ Tite 1/2" (551.0)	1	34	8.706-998.0	Connector, 3/8" Anchor	1
	9.802-524.0	▲ Locknut, 1/2" Conduit (551.0)	1	35	9.802-225.0	Downstream Injector Assembly, Non-Adj.	1
	9.802-518.0	Strain Relief, STRT, LQ Tite 3/4"	1	36	9.802-171.0	Nipple, 3/8" x 3/8" NPT ST Male	1
	9.802-526.0	▲ Lock Nut, 3/4"	1	37	8.712-361.0	Nozzle, 0006, Red (552.0-555.0)	1
13	9.802-515.0	Strain Relief, STRT, LQ Tite 1/2"	1		8.712-362.0	Nozzle, 1506, Yellow (552.0-555.0)	1
	9.802-524.0	Locknut, 1/2" Conduit	1		8.712-363.0	Nozzle, 2506, Green (552.0-555.0)	1
14	8.918-423.0	Hose, 3/8" x 22", 2 Wire, Pressure Loop	1		8.712-364.0	Nozzle, 4006, White (552.0-555.0)	1
15	9.802-259.0	Hose, 1/2" Push-On	1 ft.		8.712-345.0	Nozzle, 0004, Red (556.0-560.0)	1
16	9.802-776.0	Nut, 5/16" ESNA	4		8.712-346.0	Nozzle, 1504, Yellow (556.0-560.0)	1
17	9.803-100.0	Slider, Pump	1		8.712-347.0	Nozzle, 2504, Green (556.0-560.0)	1
18	9.802-738.0	Bolt, 1/2" x 8"	1		8.712-348.0	Nozzle, 4004, White (556.0-560.0)	1
19	8.718-980.0	Washer, 5/16", Flat, SAE(551.0)	4		8.712-357.0	Nozzle, 0005.5, Red (551.0)	1
	9.802-807.0	Washer, 3/8" SAE, Flat (552.0-560.0)	4		8.712-358.0	Nozzle, 1505.5, Yellow (551.0)	1
20		Overload, See Specifications Pages			8.712-359.0	Nozzle, 2505.5, Green (551.0)	1
21	9.803-032.0	Standoff, Electrical Box (552.0-560.0)	1		8.712-360.0	Nozzle, 4005.5, White (551.0)	1
22	9.802-518.0	Strain Relief, 3/4" Strt, LQ Tite (551.0, 552.0, 553.0, 554.0, 557.0, 558.0, 560.0)	1	38	8.718-858.0	Washer, 1/4" Flat Rubber Back, SS	4
	9.802-526.0	▲ Lock-Nut, 3/4"	1				
	9.802-521.0	Strain Relief, 3/4" (556.0, 559.0)	1				
23	8.932-969.0	Label, Warn Service Cord	1				
24	9.802-039.0	Elbow, 1/2" JIC x 3/8", 90°	1				

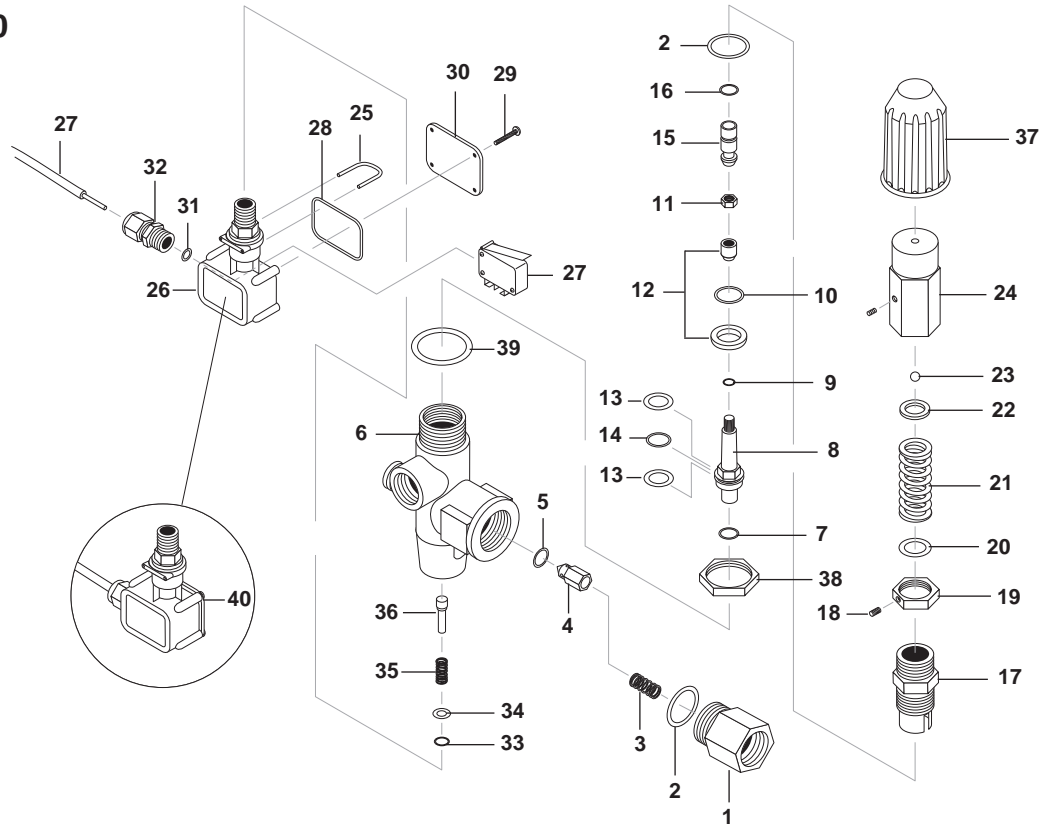


## EXPLODED VIEW PARTS LIST

ITEM	PART NO.	DESCRIPTION	QTY	ITEM	PART NO.	DESCRIPTION	QTY	
39	9.800-064.0	Label	1	66	9.803-278.0	Strain Relief, 3/4", LQ Tite (551.0)	1	
40	Bushing, See Specifications Pages				9.802-518.0	Strain Relief, STRT, LQ Tite (552.0, 553.0, 554.0, 555.0)	1	
41	Bushing, See Specifications Pages				9.802-526.0	▲ Locknut, 3/4" (551.0)	1	
42	Pump Pulley, See Specifications Pages				9.803-279.0	Strain Relief, 1" (553.0, 554.0, 555.0, 556.0, 559.0, 560.0)	1	
43	Motor Pulley, See Specifications Pages				9.803-280.0	▲ Locknut, 1" (553.0, 554.0, 555.0, 556.0, 559.0, 560.0)	1	
44	Belt, See Specifications Pages				67	8.932-970.0	Label, Cold Water Outlet	1
45	9.802-522.0	Strain Relief, 1"	1	68	9.800-007.0	Label, Warning, Exposed Pulleys	1	
46	9.802-765.0	Screw, 1/4" x 1/2", BH SOC CS	12	69	9.800-013.0	Label, Intended for Indoor Use	1	
47	9.802-817.0	Washer, 3/8" x 1" Steel	4	70	9.802-514.0	Strain Relief, Small, LQ Tite (Time Delay/Auto-Start Option)	1	
48	9.802-710.0	Bolt, 5/16" x 1 NC (551.0)	4		9.802-524.0	▲ Lock-Nut, 1/2" Conduit (Time Delay/Auto-Start Option)	1	
	9.802-720.0	Bolt, 3/8" x 1" NC, HH (552.0-560.0)	4	71	9.802-423.0	Cord, Service, SEO, 16/3	2.5 ft.	
49	9.800-034.0	Label, Clear Lexan, 2-1/4" x 4-1/2"	1		9.802-424.0	Cord, Service, SEO 16/4 (Time Delay Shutdown Option)	2.5 ft.	
50	9.802-073.0	Weather Stripping	7 ft.	72	9.802-779.0	Nut, 3/8" ESNA	4	
51	9.802-779.0	Nut, 3/8" ESNA, NC (552.0-560.0)	4	73	8.718-980.0	Washer, 5/16" Flat	4	
	9.802-776.0	Nut, 5/16", ESNA, NC (551.0)	4	74	9.802-467.0	Base Relay (Time Delay Shutdown Option)	1	
52	9.802-800.0	Washer, 1/2" Flat	1	75	9.802-468.0	Relay (Time Delay Shutdown Option)	1	
53	9.803-081.0	Cover, Access Hole	1	76	8.751-306.0	Timer, Multi-Function, 24V-120/240V (Time Delay Shutdown Option)	1	
54	9.802-773.0	Nut, 1/4", ESNA NC	2	77	9.802-472.0	Timer, Solid State, 120V, 5-60 Mins, Adjustable (Auto Start/ Stop Option)	1	
55	9.802-723.0	Bolt, 3/8" x 1-1/2", NC HH	4	78	9.800-049.0	Label, Manufacturer's Cleaning Solution	1	
56	9.802-067.0	Bumper Pad, Engine	4	79	8.900-870.0	Label, Shark Logo, Die-Cut	2	
57	9.802-811.0	Washer, 3/8" x 1-1/2" Fender	4	80	9.802-802.0	Washer, 1/4" Flat SAE Zinc	8	
58	9.802-431.0	GFCI, 120V 20A w/36' 12-3 Cord (551.0)	1	81	9.802-700.0	Bolt, 1/4" x 3/4" NC HH (6/2937)	4	
	9.802-430.0	GFCI, 240V 1Ph, 30A, 36' 10-3 Cord (552.0)	1	82	9.802-791.0	▲ Nut, Cage, 10/32" x 16 Gauge (552.0-560.0)	6	
	9.802-434.0	GFCI 240V 1Ph 40A, 36' 8-3 Cord (556.0, 559.0)	1			▲ Not Shown		
	9.802-429.0	Cord, Serv, SEO 12/4 (553.0, 554.0, 557.0, 558.0)	10 ft.					
	9.802-437.0	Cord, Service, 10/4 (560.0)	10 ft.					
59	9.802-794.0	Nut, Cage, 1/4" x 12 Gauge	8					
60	9.802-074.0	Nut, 1/4" Square Head Grommet, Nylon	4					
61	9.800-040.0	Label, Ground	1					
62	9.802-762.0	Screw, 10/32" x 1-1/4" RH, SL (552.0-560.0)	1					
		(551.0)	2					
63	9.802-759.0	Screw, 10/32" x 1/2" BHSOC (552-560.0)	11					
64	9.802-695.0	Nut, 10/32" KEPS (551.0) (552.0-560.0)	4					
			10					
65	9.800-020.0	Label, Cold Water Inlet, HS	1					

## VB8 UNLOADER VALVE EXPLODED VIEW

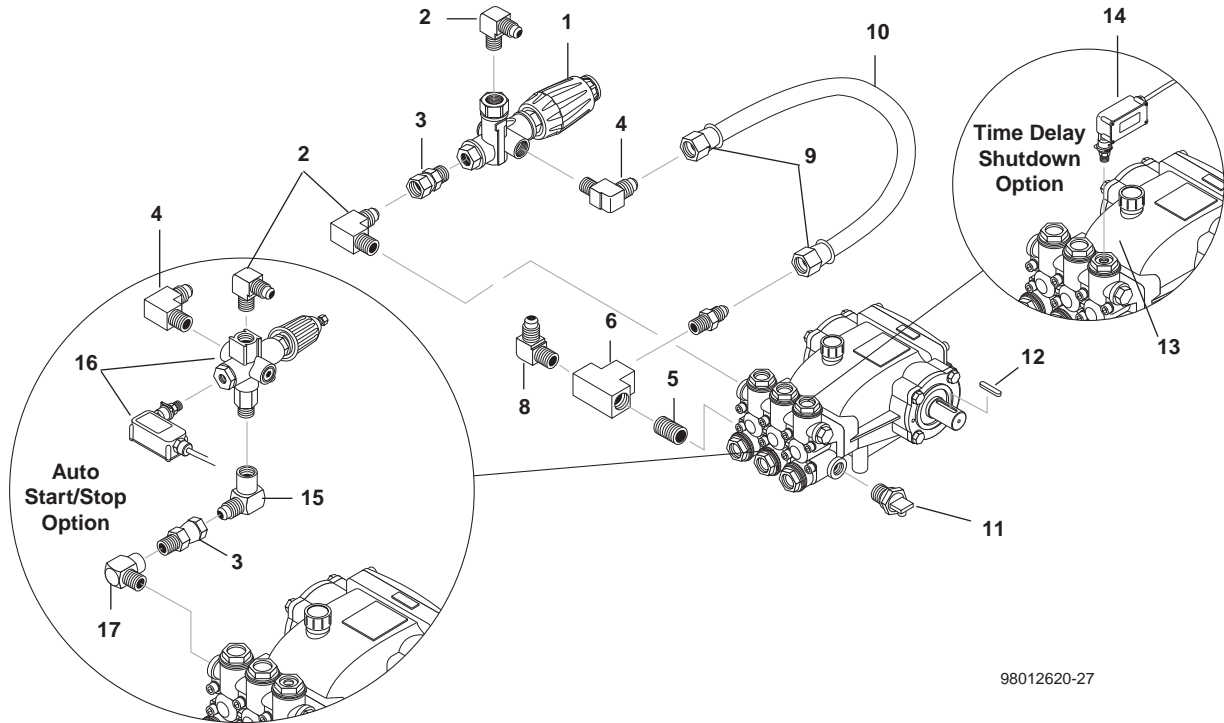
9.802-362.0



## VB8 UNLOADER VALVE EXPLODED VIEW PARTS LIST

ITEM	PART NO.	DESCRIPTION	QTY	ITEM	PART NO.	DESCRIPTION	QTY
1	60.0058.31	3/8 Bsp F Outlet Fitting	1	22	60.1210.31	Upper Frame	1
2	10.3070.02*	O-ring 1.78 x 18.77 mm	2	23	14.7421.00	1/4" Ball	1
3	60.0053.51	Spring	1	24	60.1209.31	Brass Cap	1
4	60.0052.31	Check Valve	1	25	29.0087.51	Sst Clip	1
5	10.3213.00*	O-ring 3 x 6 mm	1	26	29.0089.84	Plastic Housing	1
6	60.1201.35	VB8 Brass Body	1	27	12.5006.00	El.Cable + Micro Switch	1
7	10.3170.08*	O-Ring 2.62 x 7.6 mm	1	28	10.3206.01	O-ring 2.62 x 28.25 mm	1
8	60.1206.31	Piston	1	29	16.3020.00	2.5 x 12 mm screw	2
9	10.3001.01*	O-ring 1 x 4 mm	1	30	29.0088.84	Cover	1
10	10.3066.01*	O-ring 1.78 x 15.6 mm	1	31	10.3169.00	O-ring 2.62 x 6.02 mm	1
11	60.1205.31	M 6 Nut	1	32	29.0082.84	Black Nut-40 Bar	1
12	60.2221.20*	VB8/9 Seat+Shutter	1	33	10.3038.00	O-ring 1.78 x 3.68 mm	1
13	10.4021.00*	Back Ring 11.4 x 15.9 mm	2	34	14.3519.53	Sst Washer 4 x 8 mm	1
14	10.3175.00*	O-ring 2.62 x 10.77 mm	1	35	60.2303.51	Spring	1
15	60.1204.31	Spring Guide	1	36	60.1281.31	PR 5 Pin	1
16	10.3167.01*	O-ring 2.62 x 5.23 mm	1	37	60.1202.84	Plastic Handle (60.1290.00)	1
17	60.1203.31	Piston Housing	1	38	14.3582.00	Washer D. 30 mm (60.1290.00)	1
18	16.2100.00	M 4 x 4 mm Dowel	1	39	60.2254.31	M 30 Nut (60.1290.00)	1
19	60.1704.31	M 22 Nut	1	40	29.0096.24	PR 5 Pl.Housing Kit	1
20	14.3719.00	Washer 9 x 15 mm	1				
21	60.1208.61	3.2 x 33 mm Spring	1	Kit	P/N	Description	
				*K1	60.1212.24	VB8 Spare Parts Kit 9x1 pcs	1

## PUMP EXPLODED VIEW



98012620-27

## PUMP EXPLODED VIEW PARTS LIST

ITEM	PART NO.	DESCRIPTION	QTY	ITEM	PART NO.	DESCRIPTION	QTY
1	8.750-299.0	Unloader, VRT3, 8 GPM @ 4500 PSI	1	14	9.802-458.0	Switch, Pressure, N/O, 1/4" NP (Time Delay Shutdown Option)	1
2	9.802-039.0	Elbow, 1/2" JIC, 3/8", 90°	1	15	9.802-042.0	Elbow, 1/2" JIC x 3/8 Fem, 90° (Auto Start/Stop Option)	1
3	9.802-048.0	Swivel, 1/2" JIC x 3/8" Male	1	16	9.802-362.0	Unloader, PA 8 GPM @3650 PSI, VB8, w/Switch (Auto Start/Stop Option)	1
4	9.802-129.0	Elbow, 1/2" JIC x 3/8"	1	17	8.706-207.0	Elbow, 3/8 Street	1
5	8.706-790.0	Nipple, 1/2" Close	1				
6	8.706-844.0	Tee, 1/2" Female Pipe	1				
7	9.802-128.0	Nipple, 1/2" JIC x 1/2" MPT Pipe	1				
8	9.802-131.0	Elbow, 1/2" JIC x 1/2", 90°	1				
9	9.802-151.0	Swivel Push-On, 1/2" JIC Female	2				
10	9.802-259.0	Hose, 1/2" Push-On	18"				
11	9.803-670.0	Protector, Pump, 1/2", 190°	1				
12	Pump, See Specifications Pages						
13	9.802-632.0	Cap, Valve w/1/4" Gauge Port (Time Delay Shutdown Option) (All Except 300.0)	1				
	9.804-022.0	Cap, Valve w/1/4" Gauge Port (Time Delay Shutdown Option (300.0)	1				

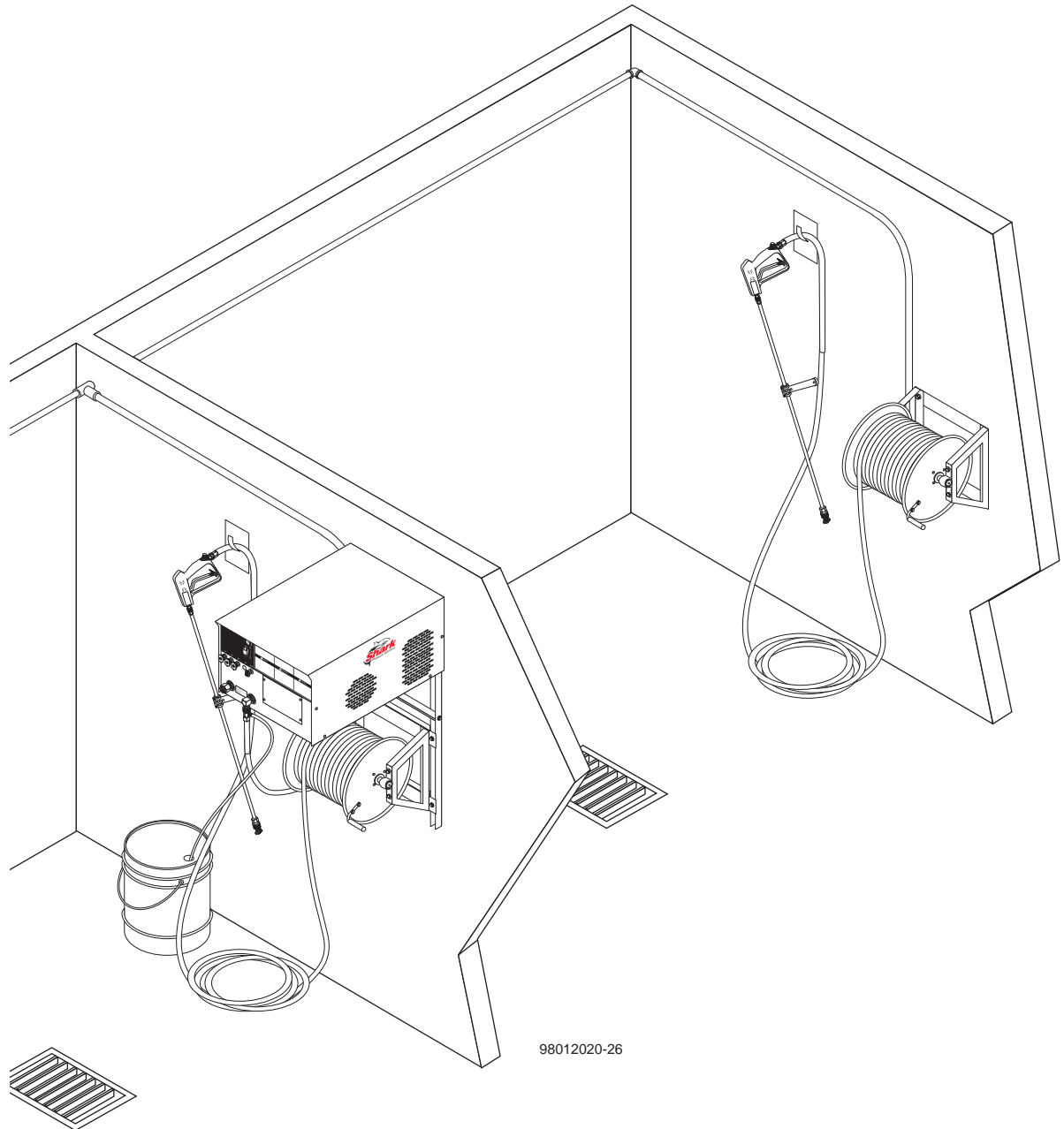
## SPECIFICATIONS

Model	Pump	Pump Part No.	Pump Pulley	Pump Pulley Part No.	Pump Bushing	Bushing Part No.	Size	Voltage/ph	Hz
1.106-551.0	KD3030R	9.804-006.0	AK74H	9.802-369.0	24MM	9.802-402.0	2HP	120V/1PH	60
1.106-552.0	KM4035R	8.751-189.0	2AK74H	9.802-369.0	24MM	9.802-402.0	6.2HP	230V/1PH	60
1.106-553.0	KM4035R	8.751-189.0	2AK74H	9.802-369.0	24MM	9.802-402.0	6.2HP	230V/3PH	60
1.106-554.0	KM4035R	8.751-189.0	2AK74H	9.802-369.0	24MM	9.802-402.0	6.2HP	460V/3PH	60
1.106-555.0	KM4035R	8.751-189.0	2AK74H	9.802-369.0	24MM	9.802-402.0	6.2HP	208V/3PH	60
1.106-556.0	KM4035R	8.751-189.0	2BK80H	8.715.592.0	24MM	9.802-402.0	7.5HP	230V/1PH	60
1.106-557.0	KM4035R	8.751-189.0	2BK80H	8.715.592.0	24MM	9.802-402.0	7.5HP	230V/3PH	60
1.106-558.0	KM4035R	8.751-189.0	2BK80H	8.715.592.0	24MM	9.802-402.0	7.5HP	460V/3PH	60
1.106-559.0	KM4035R	8.751-189.0	2BK80H	8.715.592.0	24MM	9.802-402.0	7.5HP	208V/1PH	60
1.106-560.0	KM4035R	8.751-189.0	2BK80H	8.715.592.0	24MM	9.802-402.0	7.5HP	208V/3PH	60

## SPECIFICATIONS

Model	Motor Part No.	Motor Pulley	Motor Pulley Part No.	Motor Bushing	Motor Part No.	Belt Size	Belt Part No.	Contractor Part No.	Overload Part No.
551.0	9.802-339.0	AK32x5/8	9.804-004.0	N/A	N/A	AX40 (1)	9.804-005.0	8.724-268.0	N/A
552.0	9.802-336.0	2AK56H	9.802-373.0	HX1-1/8"	9.802-400.0	AX42 (2)	9.802-411.0	8.724-276.0	N/A
553.0	8.751-004.0	2AK56H	9.802-373.0	HX1-1/8"	9.802-400.0	AX42 (2)	9.802-411.0	8.724-268.0	8.724-304.0
554.0	8.751-004.0	2AK56H	9.802-373.0	HX1-1/8"	9.802-400.0	AX42 (2)	9.802-411.0	8.724-268.0	8.724-312.0
555.0	9.802-330.0	2AK56H	9.802-373.0	HX1-1/8"	9.802-401.0	AX42 (2)	9.802-411.0	8.724-268.0	8.724-304.0
556.0	8.715-097.0	2BK52H	9.802-386.0	HX1-3/8"	9.802-401.0	BX43 (2)	9.802-420.0	8.724-276.0	8.724-306.0
557.0	8.751-014.0	2BK50H	8.751-583.0	HX1-3/8"	9.802-401.0	BX43 (2)	9.802-420.0	8.724-268.0	8.724-304.0
558.0	8.751-014.0	2BK50H	8.751-583.0	HX1-3/8"	9.802-401.0	BX43 (2)	9.802-420.0	8.724-268.0	8.724-312.0
559.0	9.802-332.0	2BK52H	9.802-386.0	HX1-3/8"	9.802-401.0	BX43 (2)	9.802-420.0	8.724-276.0	8.724-306.0
560.0	9.802-333.0	2BK52H	9.802-386.0	HX1-3/8"	9.802-401.0	BX43 (2)	9.802-420.0	8.724-268.0	8.724-305.0

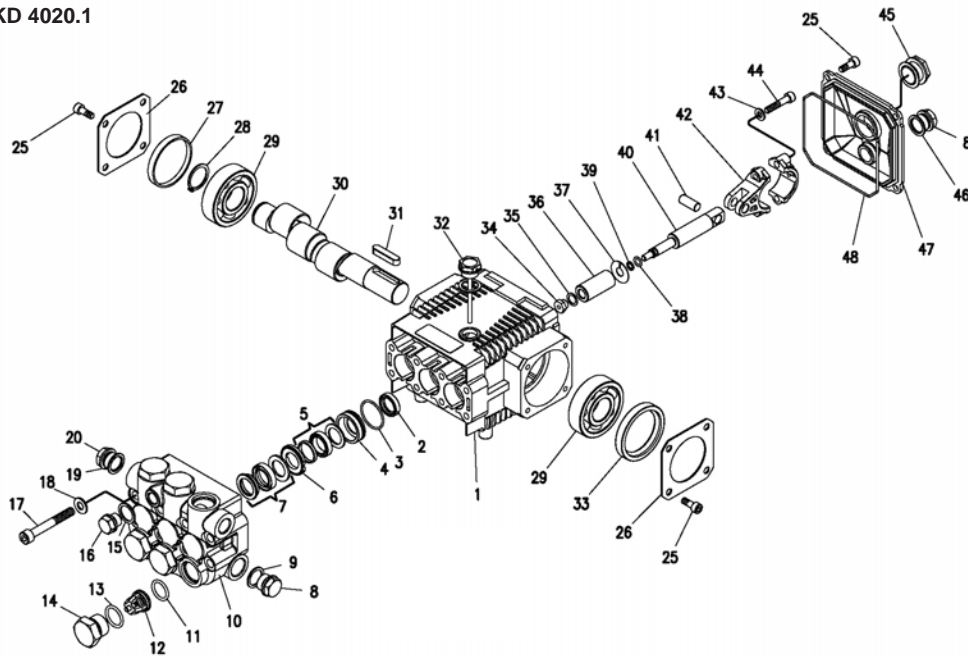
# MULTI-ROOM INSTALLATION



98012020-26

## KD.1 PUMP EXPLODED VIEW

9.803-417.0 KD 3025.1  
 9.804-006.0 KD 3030.1  
 9.804-019.0 KD 4020.1



TORQUE SPECS	
Item #	Ft.-lbs
14	65
17	18
25	7.6
34	7
44	13

## KD.1 PUMP EXPLODED VIEW PARTS LIST

ITEM	PART NO.	DESCRIPTION	QTY	ITEM	PART NO.	DESCRIPTION	QTY
1	9.803-938.0	Crankcase	1	11*	See Kits	O-Ring Ø1.78 x 15.54	6
2*	See Kits	Plunger Oil Seal	3	12*	See Kits	Valve Assembly	6
3*	See Kits	O-Ring Ø1.78 x 28.30	3	13*	See Kits	O-Ring Ø2.62 x 18.77	6
4*	See Kits	Pressure Ring 15mm (3030)	3	14	9.803-949.0	Valve Plug	6
	See Kits	Pressure Ring 18mm (4020, 3025)	3	15	9.803-950.0	Copper Washer 1/4	1
5*	See Kits	U-Seal, 15mm (3030)	3	16	9.803-951.0	Brass Plug G1/4	1
	See Kits	U-Seal, 18mm (4020, 3025)	3	17	9.803-952.0	Manifold Stud Bolt	8
6*	See Kits	Intermediate Ring 15mm (3030)	3	18	9.802-884.0	Washer	8
	See Kits	Intermediate 18mm (4020, 3025)	3	19	9.803-198.0	Copper Washer 3/8	1
7*	See Kits	Intermed. Ring 15mm (3030)	3	20	9.802-925.0	Brass Plug 3/8	2
	See Kits	Intermed. Ring 18mm (4020, 3025)	3	25	9.802-939.0	Screw	12
8	9.802-926.0	Brass Plug 1/2"	1	26	9.803-953.0	Bearing Cover	2
9	9.803-199.0	Copper Washer 1/2"	1	27	9.803-954.0	Bearing Seal	1
10	9.803-946.0	Manifold Housing	1	28	9.802-914.0	Snap Ring	1
				29	9.803-955.0	Ball Bearing	2
				30	9.803-956.0	Crankshaft	1
				31	9.803-167.0	Crankshaft Key	1
				32	9.803-957.0	Oil Dipstick	1

## KD.1 PUMP EXPLODED VIEW PARTS LIST (CONT)

ITEM	PART NO.	DESCRIPTION	QTY
33	8.933-010.0	Crankshaft Seal	1
34*	See Kits	Plunger Nut	3
35*	See Kits	Copper Spacer	3
36*	See Kits	Plunger, 15mm (3030)	3
	See Kits	Plunger, 18mm (4020, 3025)	3
37*	See Kits	Copper Spacer	3
38*	See Kits	O-Ring Ø1.78 x 5.28	3
39*	See Kits	Teflon Ring	3
40*	See Kits	Plunger Rod	3
41	9.803-965.0	Connecting Rod Pin	3
42	9.803-966.0	Connecting Rod	3
43	9.803-218.0	Spring Washer	6
44	8.933-020.0	Connecting Rod Screw	6
45	9.803-202.0	Sight Glass	1
46	9.803-197.0	Gasket	1
47	9.803-968.0	Crankcase Cover	1
48	9.803-969.0	O-Ring Ø2.62 x 107.62	1

\* Available in kit (See below)

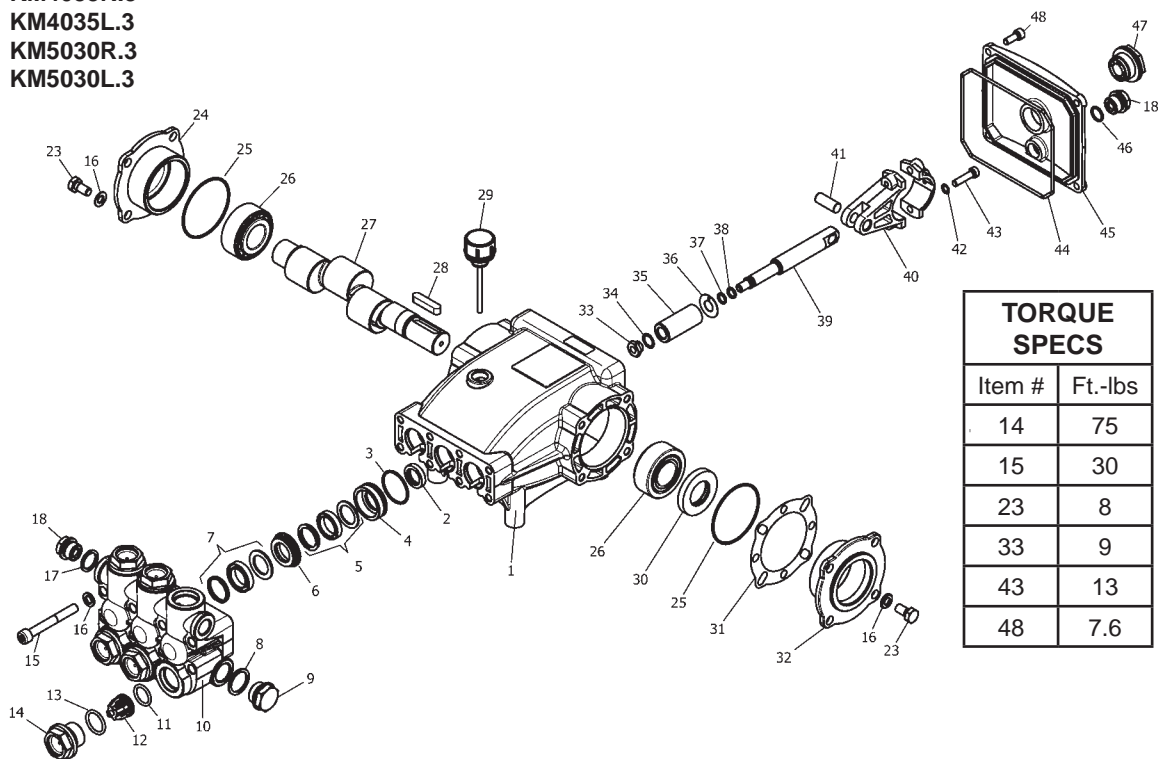
REPAIR KIT NUMBER	8.725-354.0	8.725-356.0	8.725-355.0	8.725-357.0
KIT DESCRIPTION	Plunger Seal 15mm 3030	Plunger Seal 18mm 3025 4020	Complete Seal Packing, 15mm 3030	Complete Seal Packing, 18mm 3025 4020
ITEM NUMBERS INCLUDED	3, 5, 7	3, 5, 7	3, 4, 5, 6, 7	3, 4, 5, 6, 7,
NUMBER OF CYLINDERS KIT WILL SERVICE	3	3	1	1

REPAIR KIT NUMBER	9.803-934.0	9.803-935.0	9.803-936.0	9.803-937.0
KIT DESCRIPTION	Plunger 15mm 3030	Plunger 18mm 3025 4020	Complete Valve	Plunger Oil Seals
ITEM NUMBERS INCLUDED	34, 35, 36, 37, 38, 39, 40	34, 35, 36, 37, 38, 39, 40	11, 12, 13	2
NUMBER OF CYLINDERS KIT WILL SERVICE	1	1	6	3



## KM.3 SERIES PUMP EXPLODED VIEW

- 8.751-186.0 KM3540R.3
- 8.751-187.0 KM4030R.3
- 8.751-188.0 KM4030L.3
- 8.751-189.0 KM4035R.3
- 8.751-190.0 KM4035L.3
- 8.751-191.0 KM5030R.3
- 8.751-192.0 KM5030L.3



## KM.3 SERIES PUMP EXPLODED VIEW PARTS LIST

ITEM	PART NO.	DESCRIPTION	QTY	ITEM	PART NO.	DESCRIPTION	QTY
1	8.751-216.0	Crankcase	1	23	9.802-944.0	Screw, Hex, 8mm x18mm	8
2*	See Kits Below	Plunger Oil Seal	3	24	8.717-210.0	Closed Bearing Housing	1
3*	See Kits Below	O-Ring Ø1.78 x 31.47	3	25	9.803-192.0	O-Ring Ø1.78 x 60.05	2
4*	See Kits Below	Pressure Ring	3	26	8.933-011.0	Tapered Roller Bearing	2
5*	See Kits Below	U-Seal	3	27	8.751-222.0	Crankshaft (5030,3540)	1
6*	See Kits Below	Intermediate Ring	3		8.751-223.0	Crankshaft (4030, 4035)	1
7*	See Kits Below	U-Seal	3	28	9.803-167.0	Crankshaft Key	1
8	9.803-199.0	Washer, Copper	1	29	9.802-921.0	Oil Dip Stick	1
9	9.802-926.0	Plug, Brass 1/2	1	30	9.803-140.0	Crankshaft Seal	1
10	8.751-218.0	Manifold Head	1	31	9.803-178.0	Shim	2
11*	See Kits Below	O-Ring Ø2.62 x 17.13	6	32	8.717-209.0	Bearing Housing	1
12*	See Kits Below	Valve Assembly	6	33*	See Kits Below	Plunger Nut, M8	3
13*	See Kits Below	O-Ring Ø2.62 x 20.29	6	34*	See Kits Below	Copper Spacer	3
14	9.802-928.0	Valve Plug	6	35*	See Kits Below	Plunger (4035)	3
15	9.802-938.0	Manifold Stud Bolt	8		See Kits Below	Plunger (4030, 5030)	3
16	9.802-884.0	Washer	16		See Kits Below	Plunger (3540)	3
17	9.803-198.0	Copper Washer 3/8	1				
18	9.802-925.0	Brass Plug 3/8	1				

## KM.3 SERIES PUMP EXPLODED VIEW PARTS LIST

ITEM	PART NO.	DESCRIPTION	QTY
36*	See Kits Below	Copper Spacer	3
37*	See Kits Below	O-Ring Ø1.78 x 7.66	3
38*	See Kits Below	Teflon Ring	3
39	8.751-224.0	Plunger Rod	3
40	9.803-158.0	Connecting Rod	3
41	8.751-228.0	Connecting Rod Pin	3
42	9.803-218.0	Spring Washer	6
43	9.803-238.0	Connecting Rod Screw	6
44	8.933-016.0	O-Ring, Ø2.62 x 126.67	1
45	8.751-229.0	Crankcase Cover	1
46	9.803-197.0	O-Ring, Ø1.78 x 14	1
47	9.803-202.0	Sight Glass 3/4	1
48	9.802-939.0	Cover Screw	5

\* Available in kit (See below)

REPAIR KIT NO.	8.725-360.0	8.725-362.0	8.725-358.0	8.725-361.0	8.725-363.0	8.725-359.0
KIT DESCRIPTION	Plunger Seal 4035 18mm	Plunger Seal 4030 5030 20mm	Plunger Seal 3540 15mm	Complete Seal Packing 4035 18mm	Complete Seal Packing 4030 5030 20mm	Complete Seal Packing 3540 15mm
ITEM NUMBERS INCLUDED	3, 5, 7	3, 5, 7	3, 5, 7	3, 4, 5, 6, 7	3, 4, 5, 6, 7	3, 4, 5, 6, 7
NO. OF CYLINDERS KIT WILL SERVICE	3	3	3	1	1	1

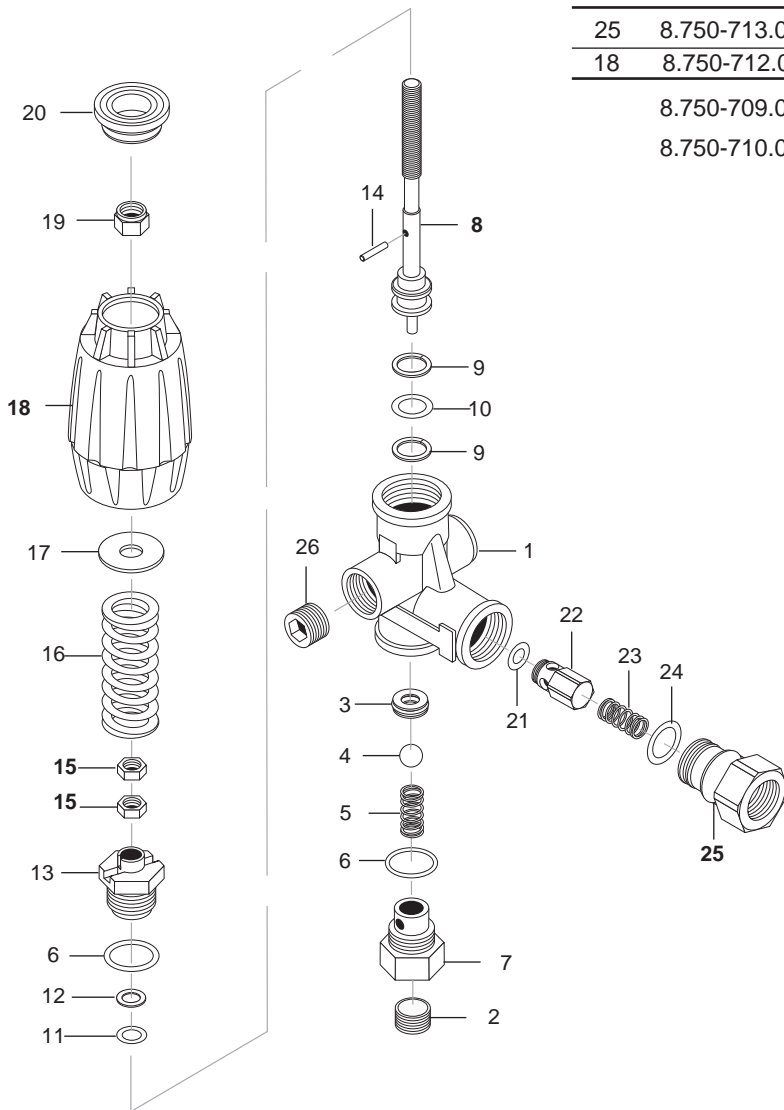
REPAIR KIT NO.	8.751-237.0	8.751-238.0	8.933-023.0	9.802-603.0	9.802-609.0
KIT DESCRIPTION	Plunger 4035 18mm	Plunger 4030 5030 20mm	Plunger 3540 15mm	Complete Valve	Plunger Oil Seals
ITEM NUMBERS INCLUDED	33, 34, 35, 36, 37, 38	33, 34, 35, 36, 37, 38	33, 34, 35, 36, 37, 38	11, 12, 13	2
NO. OF CYLINDERS KIT WILL SERVICE	1	1	1	6	3

# VRT3 UNLOADER EXPLODED VIEW AND PARTS LIST

8.750-297.0, 8 GPM, 2320 PSI

8.750-298.0, 8 GPM, 3630 PSI

8.750-299.0, 8 GPM, 4500 PSI



ITEM	PART NO.	DESCRIPTION	QTY
25	8.750-713.0	Outlet Fitting	1
18	8.750-712.0	Knob, Unloader	1
	8.750-709.0	Repair Kit, VRT3, 2320/3630 PSI	
	8.750-710.0	Repair Kit, VRT3, 4500 PSI	
		(Kit Items: 3, 4, 6, 9-12, 21, 24)	

## Unloader Adjustment Procedures

1. Remove lock nut (Item 19).
2. Remove adjustment knob (Item 18).
3. Loosen the two (2) nuts (Item 15), move them upward on stem (Item 8) until you see 4 or more threads below the nut.
4. Re-attach adjusting knob (Item 18).
5. Start machine. Open the trigger of the spray gun. Increase pressure by turning adjustment knob (Item 18) clockwise until pressure is at the desired operating pressure.
6. Remove the adjustment knob (Item 18), tighten the lower nut (Item 15) tightly against the upper nut (Item 15). Re-attach adjustment knob (Item 18) and screw down until contact is made with the nuts (Items 15). Screw down lock nut (Item 19) onto the stem (Item 8) until the threads cut into the nylon insert of the lock nut (Item 19).

\*If adjustment knob (Item 18) **DOES NOT** make contact with upper nut (Items 15), remove adjusting knob (Item 18), re-adjust (raise) nuts (Items 15) on stem (Item 8) and re-attach adjustment knob (Item 18), then repeat step #6.

\*\*If adjustment knob (Item 18) **DOES** make contact with upper nut; release the trigger of the spray gun and watch the pressure gauge for the pressure increase ("spike"). This "spike" **SHOULD NOT** exceed 500 psi above the operating pressure. If "spike" pressure exceeds the 500 psi limit, remove the adjusting knob (Item 18) and re-adjust (lower) the nuts (Items 15) on the stem (Item 8). Re-attach the adjusting knob (Item 18), then repeat step #6.

## LIMITED NEW PRODUCT WARRANTY—COMMERCIAL PRESSURE WASHERS



Phone: 800-771-1881

Fax: 877-526-3246

www.sharkpw.com

### WHAT THIS WARRANTY COVERS

All Shark pressure washers are warranted by Shark to the original purchaser to be free from defects in materials and workmanship under normal use, for the periods specified below. This Limited Warranty, subject to the exclusions shown below, is calculated from the date of the original purchase, and applies to the original components only. Any parts replaced under this warranty will assume the remainder of the pressure washer's warranty period.

#### FIVE YEAR PARTS AND ONE YEAR LABOR WARRANTY

Components manufactured by Shark, such as frames, handles, float tanks, fuel tanks, belt guards, and heating coils. Pro-Duty rated units (DD Series) have a three-year limited warranty against defects and workmanship. Internal components on the oil-end of Kärcher axial pumps have a 5 year warranty. Kärcher crankshaft pumps have a 7 year warranty on non-wear parts. Heating coils are pro-rated at 25% after 2 years. Kärcher and non-Kärcher swash and wobble plate pumps have a one year warranty; other pumps carry their manufacturer's warranty.

#### ONE YEAR PARTS AND ONE YEAR LABOR WARRANTY

All other components, excluding normal wear items as described below, will be warranted for one year on parts and labor. Parts and labor warranty on these parts will be for one year regardless of the duration of the original component manufacturer's part warranty.

#### WARRANTY PROVIDED BY OTHER MANUFACTURERS

Motors, generators, and engines, which are warranted by their respective manufacturers, are serviced through these manufacturers' local authorized service centers. Shark is not authorized and has no responsibility to provide warranty service for such components. Motors manufactured outside of the United States will be warranted by Shark.

#### WHAT THIS WARRANTY DOES NOT COVER

This warranty does not cover the following items:

1. Normal wear items, such as nozzles, spray guns, discharge hoses, wands, quick couplers, seals, filters, gaskets, O-rings, packings, pistons, pump valve assemblies, strainers, belts, brushes, rupture disks, fuses, pump protectors.
2. Any components or other devices incorporated into a Shark product that are not manufactured by Shark, including, but not limited to gasoline engines, pumps, etc.
3. Defects caused by improper or negligent operation or installation, accident, abuse, misuse, neglect, unauthorized modifications, repair or maintenance of the product by persons other than authorized representatives of Shark, including, but not limited to, the failure of the Customer to comply with recommended product maintenance schedules.
4. Shark products that have been returned by the original Customer and are ultimately re-sold by an Authorized Servicing Dealer or other sales or service outlet to another purchaser.
5. Shark products that are sold by any distributor or retailer that is not an official authorized dealer or retailer of Shark products.
6. Defects caused by acts of nature and disaster including, but not limited to, floods, fires, wind, freezing, earthquakes, tornadoes, hurricanes and lightning strikes.
7. Defects caused by water sediments, rust corrosion, thermal expansion, scale deposits or a contaminated water supply (such as water in the unit with chloride content higher than that of 80 mg/liter or use of chemicals not approved or recommended by Shark).
8. Defects caused by improper voltage, voltage spikes or power transients in the electrical supply.
9. Devices or accessories not distributed or approved by Shark.
10. Any cost of labor arising from the removal and reinstallation of the alleged defective part by Customer.
11. Transportation of the product to an Authorized Servicing Dealer, field labor, replacement rental and any freight charges.

Any components, accessories or other devices provided with the product but not manufactured by Shark (such as engines, pumps, etc.) are subject to warranties and service through their respective manufacturers authorized service centers and according to the applicable terms and conditions of such manufacturers warranties. Such components or other devices not manufactured by Shark should be referred by the Customer to an authorized service center or their respective manufacturers for repair or replacement.

THE FOREGOING WARRANTY IS IN LIEU OF ALL OTHER WARRANTIES OF ANY KIND, WHETHER ARISING BY LAW, CUSTOM OR CONDUCT. SHARK MAKES NO ADDITIONAL WARRANTIES, EITHER EXPRESSED OR IMPLIED, INCLUDING, WITHOUT LIMITATION, ANY EXPRESSED OR IMPLIED WARRANTIES OF MERCHANTABILITY OR FITNESS OF EQUIPMENT FOR A PARTICULAR PURPOSE AND ANY SUCH WARRANTIES ARE EXPRESSLY DISCLAIMED. SHARK FURTHER DISCLAIMS ANY WARRANTY THAT THE PRODUCT PURCHASED BY CUSTOMER WILL MEET ANY PARTICULAR REQUIREMENT OF CUSTOMER EVEN IF SHARK HAS BEEN ADVISED OF SUCH REQUIREMENT.

THE RIGHTS AND REMEDIES PROVIDED UNDER THIS WARRANTY ARE EXCLUSIVE AND IN LIEU OF ANY OTHER RIGHTS OR REMEDIES OF CUSTOMER. SHARK SHALL NOT UNDER ANY CIRCUMSTANCES BE LIABLE TO ANY PERSON OR ENTITY INCLUDING, BUT NOT LIMITED TO, THE CUSTOMER OR ANY END USER OF THE PRODUCT FOR ANY SPECIAL, INDIRECT, INCIDENTAL OR CONSEQUENTIAL DAMAGES OR ECONOMIC LOSS, LOSS OF PROFITS OR LOSS OF USE OF THE PRODUCT, ARISING IN CONNECTION WITH THE SALE, DELIVERY, INSTALLATION, TRAINING OR USE OF PRODUCT. SHARK'S LIABILITY, WHETHER IN CONTRACT OR IN TORT, ARISING OUT OF ANY WARRANTIES OR REPRESENTATIONS, INSTRUCTIONS OR DEFECTS FROM ANY CAUSE, SHALL BE LIMITED EXCLUSIVELY TO THE COST OF REPAIR OR REPLACEMENT PARTS UNDER AFORESAID CONDITIONS.

The purpose of the foregoing limitations on liability and Customer remedies is to protect Shark from unknown or undeterminable risks. Some states do not allow the exclusion or limitation of incidental or consequential damages, so the above limitation or exclusion may not apply to the Customer.

Shark sales and service representatives are not authorized to waive or alter the terms of this warranty, or to increase the obligations of Shark under the warranty.

Shark reserves the right to make design changes in any of its products without prior notification to the Customer.





[www.sharkpw.com](http://www.sharkpw.com)

Shark CB 9.801-262.0 • Revised 5/13 • Printed in U.S.A. or Mexico