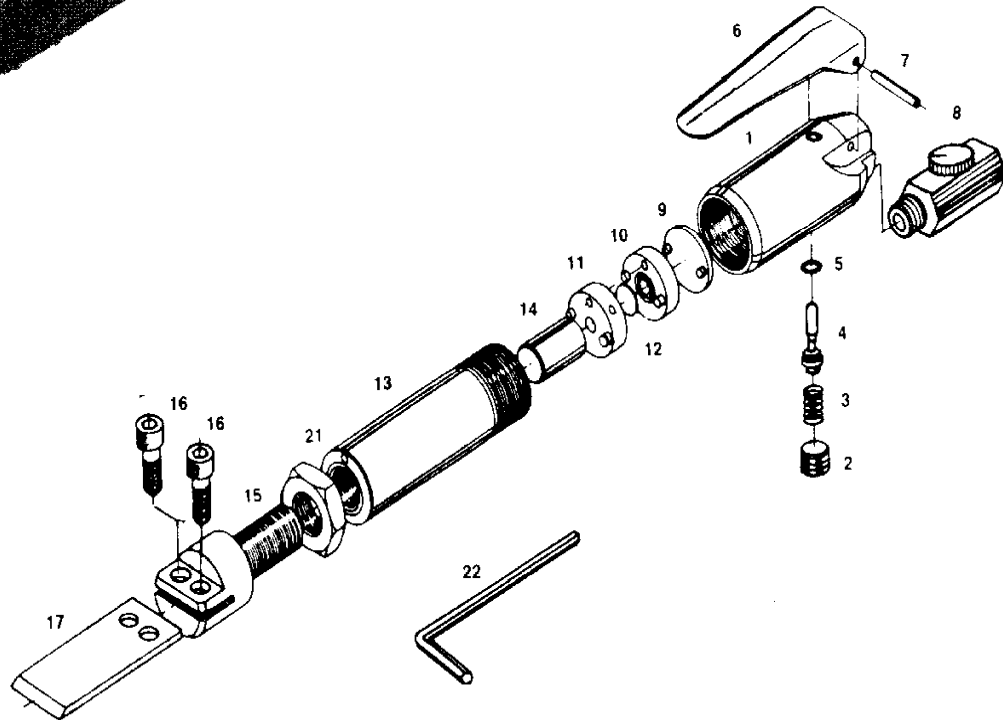
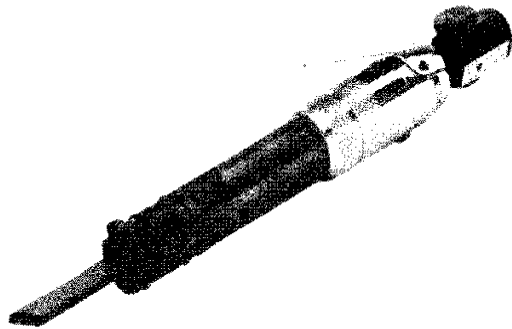


SPECIFICATIONS:

Bore Diameter.....	1/2"
Blows Per Minute.....	4,800
Stroke Length.....	2-1/4"
Operating Air Pressure.....	90 PSI
Avg. Air Consumption.....	4.5 CFM
Minimum Hose Size.....	3/8" I.D.
Air Inlet.....	1/4" NPT
Overall Length.....	9-3/4"
Net Weight.....	1.5 LBS



Replacement Part list for R3462 Air Powered Scraper

Ref.	Part No.	Description	Ref.	Part No.	Description
1	R3462-01	Handle	11	R3462-11	Lower Valve
2	R3462-02	Screw Plug	12	R3462-12	Valve Disc
3	R3462-03	Spring	13	R3462-13	Cylinder Accessories
4	R3462-04	Valve Stem	14	R3462-14	Piston
5	R3462-05	"O" Ring	15	R3462-15	Blade Holder
6	R3462-06	Trigger	16	R3462-16	Lock Screw (2)
7	R3462-07	Roll Pin (2)	17	R3462-17	Scraping Blade-Standard
8	R3462-08	Air Regulator	21	R3462-18	Lock Nut
9	R3462-09	Upper Valve	22	R3462-19	4mm Hex Wrench
10	R3462-10	Middle Valve			