



Dear Valued Customer....

Let me take this opportunity to congratulate you on your purchase of a ProMow Reel Mower System. You have purchased perhaps the most revolutionary new product since the Weed Eater! No other product exists that will allow you to mow your yard in 1/3 of the time and give you professionally manicured results all for a fraction of the cost of any alternative.

When used as directed, your ProMow unit will leave your yard looking healthy and lush. After all, the most qualified greens keepers in the world use ganged reel mowers to manicure their golf courses to "green carpet" perfection!

I recommend that you spend a few minutes and read the mowing tips and the troubleshooting guide found in the following pages. I believe these tips will make your ProMow experience much more satisfying and give you optimum performance with your new ProMow unit.

Also, please take a minute and complete the warranty page found in your packet. You may also complete the registration of your mower online, just link to our web site: [www.promow.com/register.html](http://www.promow.com/register.html). We will need this information should you ever need warranty service and to notify you of changes, upgrades, or possible recall conditions. This information will not be sold or used by anyone other than ProMow, Inc.

Once again, we appreciate your business and hope you experience all the benefits a ProMow mower can bring to you.

Sincerely,

A handwritten signature in black ink, appearing to read "Douglas J. Short", written in a cursive style.

Douglas J. Short  
CEO  
ProMow, Inc.

# MAINTENANCE AND WARRANTY INFORMATION

***Loss of parts due to loose bolts are not covered by warranty.***

Check all bolts for tightness regularly, especially the axle and roller bracket bolts. **DO NOT OPERATE WITH LOOSE BOLTS.**

Wing bolts need to be kept tight to prevent hole wear. Wings need to be able to flex with the terrain. Oil all flex points as needed.

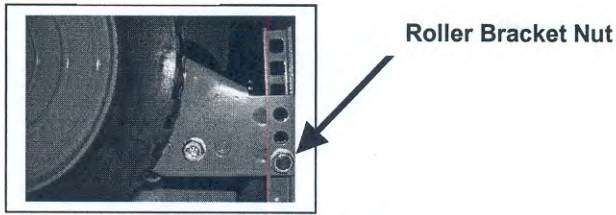
Lubricate reels after each use with a light oil such as WD-40, to prevent rust forming on cutting surfaces. (Refer to Maintenance and Adjustment for more information.)

For all your service needs calls toll-free 1-877-477-6669.



# MAINTENANCE & ADJUSTMENT

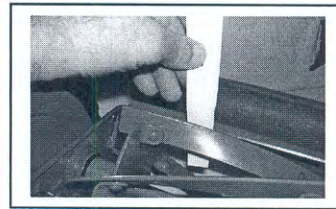
Figure 1



HEIGHT OF CUT ADJUSTMENT

The height of cut adjusts from 1 1/2" to 2 1/2" and is adjusted by moving the roller bracket up or down. (See Figure 1) Lowering the bracket raises the cut. Raising the bracket lowers the cut. Do not lower bracket lower than the top hole of the bracket and the top hole of the mower. Use the lower hole of the mower for the roller bracket bolt. Pin the reel to the frame using the upper hole of mower.

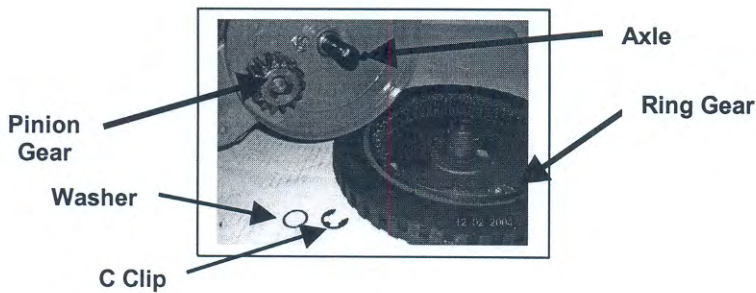
Figure 2



PAPER TEST  
(For Proper Adjustment of Blades)

When properly adjusted, the mower will cut paper as shown when you rotate the blades. (See Figure 2) It should cut evenly side to side. The ideal reel adjustment is a loose as possible and still able to cut paper nicely. **Caution – do not spin blades with this test. Grip blade firmly and rotate slowly to avoid cutting fingers.**

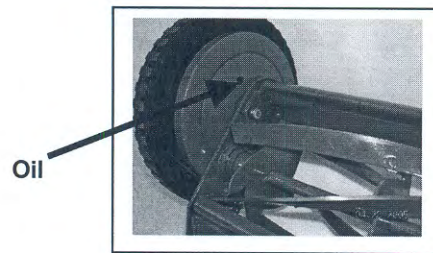
Figure 3



LUBRICATION

(See Figure 3) 1. To check lubrication, remove wheel by removing C clip, washer, than pull wheel off the mower. 2. Ring gear should run in grease. Put grease on ring gear (approx. 1 Tlbs) to coat gear generously. No grease need be applied to the pinion gear, as it will pull grease from the ring gear. Spray a bit of W-D40 into pinion gear to prevent grease from gumming up the pawl, which is inside the pinion gear. The pawl is what drives the reel from the pinion gear. Dry grease will cause it to stick, causing the wheel not to turn the reel. **Coat reel cutting surfaces with WD40 or similar oil after each use to prevent rust formation.**

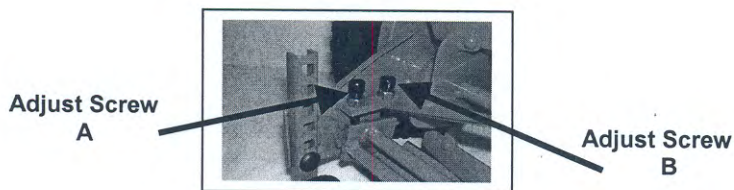
Figure 3 A



LUBRICATE WHEEL GEARS

Oil can be substituted for grease to lubricate wheel gears. If you choose to use oil vs. grease, remember to lubricate more often. Reels can be oiled while attached to mower frame by lifting the front of the reel to get the wheels up off of the ground. Oil in hole (See Figure 3A) with a squirt oil can, **(2 squirts)** while turning the wheel in reverse as to not turn reel blades. This will spread oil to gears and axle. We recommend, if oil is used, oil approximately every 10 hrs. of use. New or used oil may be used. Oil just prior to use to prevent leakage and better oil distribution. Never operate mower with-out lubrication in wheel gears. It would be advisable to inspect lubrication by removing a wheel occasionally. Adjust frequency of lubrication to need.

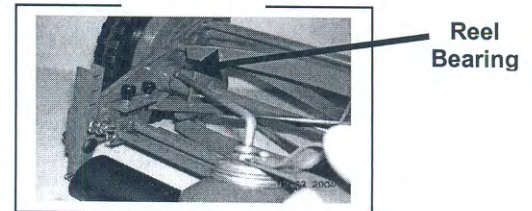
Figure 4



BLADE ADJUSTMENTS

The mower cut bar is adjusted by the 2 screws on each side of the reel A and B, (See Figure 4). To adjust the cut bar to rub the reel blades, loosen slightly B and tighten A. This maintenance process will need to be done on both sides of the mower. Blades should rub equally across the whole cutting bar. Adjust to where it cuts paper when you do the paper test described in Figure 2. When adjusted lock the screw with the nut on the screw by holding screw and turning nut to the mower

Figure 5



OILING REEL BEARINGS

Oil reel bearing occasionally according to time of use. Use a heavy weight oil such as #30 weight. Apply oil as shown above, with a squirt type oil container, oil each end. **Remember, lubrication is cheaper and easier than repairs.**

**For questions or service needs call our toll free number 1-877-477-6669**



### Pro 7 Pictured

Front Wing (Long) →

← Rear Wings (Short)

Attach wing to frame .  
tighten bolt secure  
snug as possible that  
allows wing to flex with  
weight of reel. Oil Connection

Keep wing bolts tight to avoid  
hole wear and mower tracking true

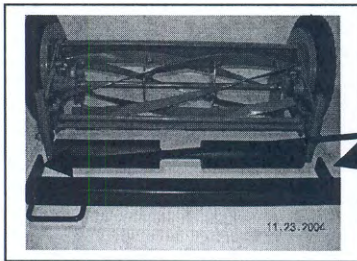
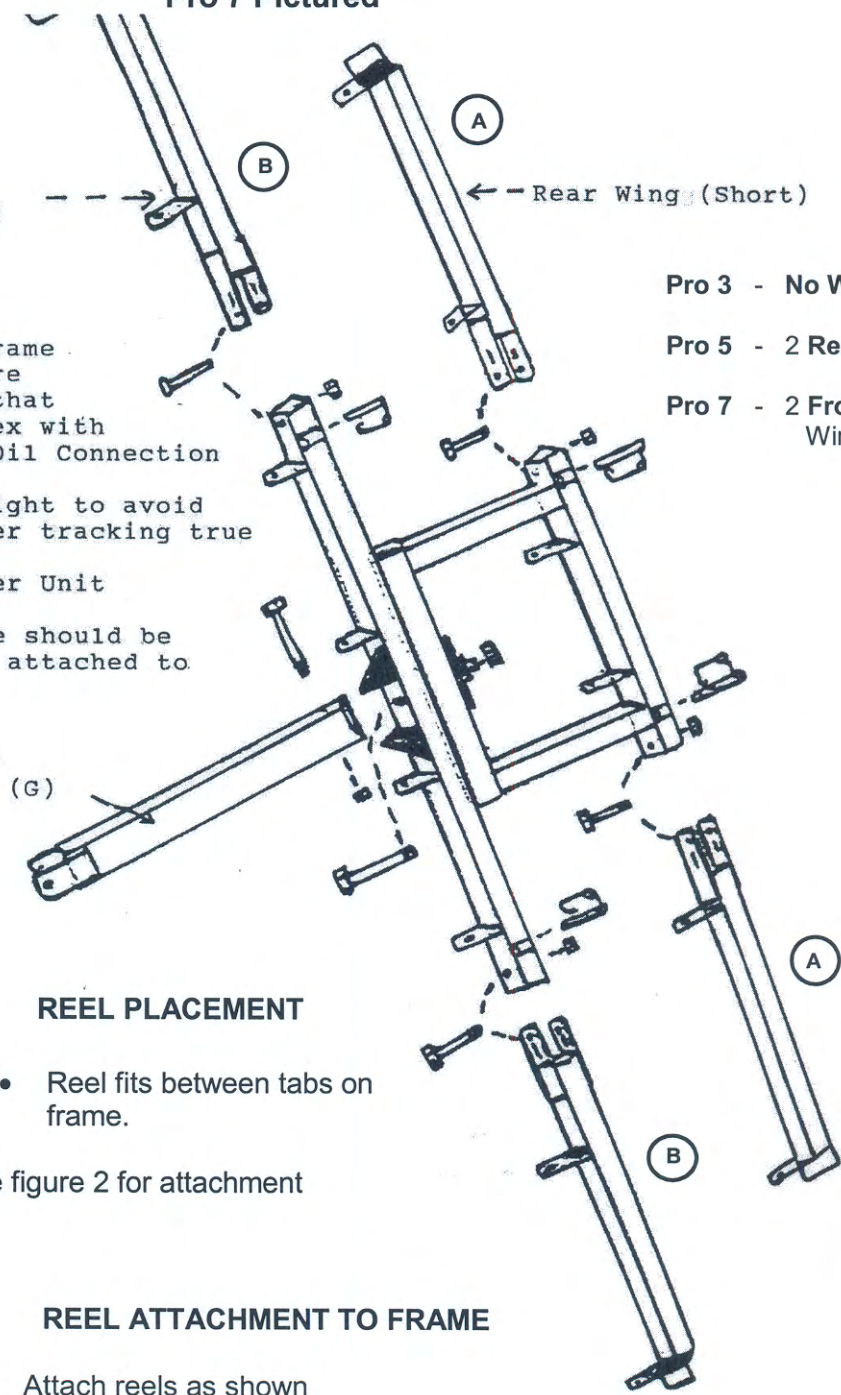
#### (G) Attach to Power Unit

Tongue top surface should be  
nearly level when attached to  
power unit

Pro 3 - No Wings Used

Pro 5 - 2 Rear Wings Used

Pro 7 - 2 Front and 2 Rear  
Wings Used



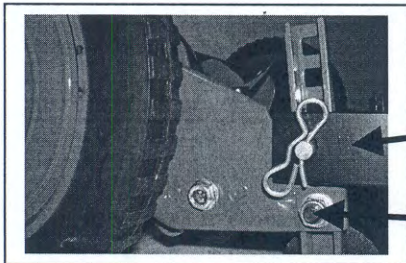
#### REEL PLACEMENT

- Reel fits between tabs on frame.

See figure 2 for attachment

#### REEL ATTACHMENT TO FRAME

Attach reels as shown



- Attach frame tab to upper hole of mower.
- Use lower hole on mower for roller bracket bolt.

For questions or service needs call our toll free number 1-877-477-6669

# Mower Heads Usage and Care

## Blade Adjustment

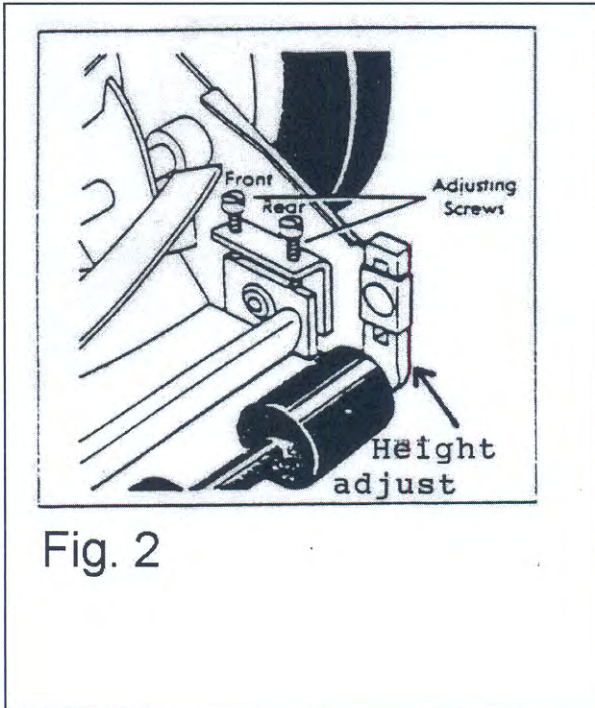


Fig. 2

- Blades are adjusted before leaving factory for proper cut. Normally no further adjustment is required.
- Misalignment can occur during shipping or after prolonged use, resulting in a rough or uneven cut.
- All adjustments should be made from the rear of the mower as show.
- Cutting action is adjusted through use of adjusting screws that pivot the cutter bar similar to a teeter-totter.
- Each side can be adjusted separately. The front screws (when tightened) loosen up the cutting action by forcing the cutter bar away from the reel. The rear adjustment screw (when tightened) tightens the cutting action by forcing the cutter bar towards the reel blade.
- Refer to Fig. 2
- Adjusting the screws is a precise procedure. 1/16 of a turn is considered a major adjustment. Work in small adjustments.
- Major changes in adjustment may require loosening the opposing screw (front or back) an equal amount.
- **Height Adjustment** – Raise or lower roller brackets left and right side to desired height refer to Fig. 2

## LOOSENING THE BLADES

- Condition: Reel will not turn freely; Blades should make contact and have a clean whispering sound when set properly.
- Oil blades with W-D40 or similar oil. Blades may be rusted.
- If still to tight, move cutter bar away from reel blades slightly.
- Loosen one or both back screws (depending on area binding) slightly by turning them counter-clockwise.
- Tighten one or both front screws slightly to push cutter bar down and away.

## TIGHTENING BLADES

- Condition: Mower is not cutting grass properly; the reel and cutter bar are not making contact.
- The cutter bar must be moved close to the reel to regain proper contact adjustment.
- Loosen one or both front screws slightly by turning them counter-clockwise.
- Tighten one or both rear screws correspondingly by running them clockwise a small amount at a time until proper contact is made.



# PROMOW MOWING TIPS

- **THIS IS A FINISH CUT MOWER ONLY.** IT IS NOT INTENDED TO CUT WEEDS OR VERY TALL GRASS.
- FOR BEST RESULTS WHEN MOWING, DO NOT CUT OFF MORE THAN 1"-2" OF GRASS DURING EACH MOWING.
- IF YOU ALLOW YOUR GRASS TO GROW TO A TALLER LENGTH, MOWING TWICE WILL RESULT IN THE SMOOTHEST CUT.
- EACH TIME YOU MOW, MOW AT A DIFFERENT ANGLE. CROSS MOWING WILL RESULT IN THE SMOOTHEST CUT.
- CHECK CUTTER BARS EVERY 2-3 MOWINGS. TO KNOW THE BARS ARE ADJUSTED, REELS WILL JUST TOUCH THE CUTTER BAR MAKING A LIGHT WHISPING NOISE AND SHOULD CUT PAPER ACROSS THE ENTIRE CUTTER BAR. TO ADJUST CUTTER BARS REFER TO THE MAINTENANCE AND ADJUSTMENT PAGE.
- IF YOU NOTICE WHEEL MARKS FROM TRACTOR, YOU ARE WAITING TOO LONG BETWEEN MOWINGS OR YOUR GRASS MAY BE TOO WET.
- TO HELP ON RUST & WEAR, SPRAY W-D 40, OR SIMILAR LUBRICANT ON THE CUTTER BAR AFTER EACH MOWING.
- ALWAYS STORE IN A DRY PLACE.
- AFTER CONSIDERABLE USE YOUR PROMOW UNIT MAY NEED TO BE SHARPENED. THIS CAN BE DONE AT HOME WITH A PROMOW SHARPENING KIT OR THROUGH YOUR LOCAL SHARPENING SHOP.

## CUSTOMER RESPONSIBILITIES

- READ AND FAMILIARIZE YOURSELF WITH ALL INSTRUCTIONS AND USEAGE HINTS IN THIS MANUAL.
- INSPECT YOUR MOWING AREA FOR ANY DEBRIS OR OBJECTS THAT COULD CAUSE PROBLEMS AND REMOVE PRIOR TO MOWING.
- MAKE SURE YOUR MOWER IS IN SAFE OPERATING CONDITION. DO NOT ATTEMPT TO OPERATE IF YOU HAVE ANY DAMAGE' REPAIR IT FIRST.
- \*\*TRAVEL AT A SAFE SPEED. EXCESSIVE SPEED IS UNSAFE AND MAY CAUSE DAMAGE TO THE UNIT.
- DO NOT MOW NEAR SMALL CHILDREN OR OTHER PEOPLE.
- PERIODICALLY CHECK YOUR UNIT FOR DAMAGE AND MAKE SURE ALL NUTS AND BOLTS ARE TIGHT.
- ALWAYS EXERCISE CARE WHEN OPERATING YOUR MOWER, AVOID STRIKING OR RUNNING INTO OR OVER SOLID OBJECTS OR DEBRIS.

## CARE

- KEEP YOUR MOWER CLEAN AND REGULARLY LUBRICATE BLADES WITH WD-40 OR SIMILAR LUBRICANT. RECOMMENDED AFTER EACH MOWING.
- CHECK ALL BOLTS AND NUTS TO BE SURE THEY ARE PROPERLY SECURED.
- STORE IN A CLEAN DRY AREA.
- DO NOT TRAVEL WITH THE WINGS IN UPRIGHT POSITION. DAMAGE TO THE FRAME OR MOWER HEADS CAN RESULT.
- IF YOU HAVE ANY QUESTIONS OR PROBLEMS CALL PROMOW TOLL-FREE AT 1-877-477-66699.

## WARRANTY

SEE "WARRANTY REGISTRATION - NEW EQUIPMENT LIMITED WARRANTY" IN THIS MANUAL. WARRANTY WILL NOT BE EFFECTIVE UNLESS REGISTERED BY COMPLETING FORM AND MAILING TO PROMOW.

**\*\*CAUTION: A brisk walk, about 4 MPH, should be considered top speed. Reduce speed down from 4 MPH on rough terrain. Speeds that exceed 4 MPH will cause premature wearing of the bearings and possible damage to the reel itself\*\*.**

## EVIDENCE OF EXCESSIVE SPEED WILL VOID WARRANTY

Problem or Question? Call ProMow Toll-Free: 1-877-477-6669



# WARRANTY REGISTRATION

## NEW EQUIPMENT LIMITED WARRANTY

### LIMITED WARRANTY

ProMow, Inc. product warranties and obligations set forth below are in lieu of any other express warranties or obligations of ProMow, Inc., its distributors, or retailers. The warranties and limitations extend only to the original purchaser or to the person for whom the product was originally purchased for.

For one year from purchase on mower heads and two years on frames (warranty card must be on record to enforce warranty) ProMow, Inc. will replace free of charge to the original buyer, any part(s) found defective in material or workmanship upon examination by our factory or a factory authorized service center. Damage due to misuse, abuse, or modification is excluded...as in normal wear such as tire wear, dulling of blades, lost parts, etc. Parts sent to factory for replacement must be shipped pre-paid by the buyer. **Contact ProMow, Inc. for all warranty claims and adjustments prior to shipping.** ProMow reserves the right to make changes in materials or design of the product at any time without notice. No other warranty of any kind whatsoever, express or implied, is made with respect to this sale; and all implied warranties of merchantability and fitness for a particular purpose which exceed the obligations set forth in this written warranty are hereby disclaimed and excluded from this sale.

### LIMITATION OF REMEDY

During the warranty period, ProMow will at its option either repair or replace defective mower heads or frames. **To obtain repair or replacement, call ProMow, Inc customer service for a return authorization number.** Then attach your name, address, phone number, description of problem and proof of purchase (for example, a sales receipt or cancelled check) to the product. At your expense, ship or deliver the product to ProMow, Inc. located at 8318 Clinton Park Drive, Ft. Wayne, Indiana 46825.

Some states do not allow limitations on how long warranty lasts, and some states do not allow the exclusion of limitations of incidental or consequential damages, so the above limitations or exclusions may not apply to you.

### RELEASE OF LIABILITY

I agree that I will release ProMow, Inc, its distributors and retailers from any and all responsibility or liability for injuries or damages to the user of the ProMow gang-reel mowers I am purchasing, or to any other person. I agree not to make a claim against ProMow, Inc., its distributors or retailers for injuries or damages relating to use of the equipment, other than such claims are allowed by the limited warranty set forth above.

Date of Purchase: \_\_\_\_\_

Model: \_\_\_\_\_

Serial No: \_\_\_\_\_

Name: \_\_\_\_\_

Street: \_\_\_\_\_

City: \_\_\_\_\_

State: \_\_\_\_\_ Zip: \_\_\_\_\_

Daytime Phone: \_\_\_\_\_

E-Mail: \_\_\_\_\_

(This data for ProMow Use Only)

Web: [www.promow.com](http://www.promow.com)

Dealer Name: \_\_\_\_\_

Address: \_\_\_\_\_

City: \_\_\_\_\_

State: \_\_\_\_\_ Zip: \_\_\_\_\_

**WARRANTY WILL NOT BE EFFECTIVE UNLESS  
REGISTERED BY COMPLETING THIS FORM AND  
MAILING WITHIN 15 DAYS OF PURCHASE.**

MAIL TO: ProMow, Inc. 8318 Clinton Park Drive  
Ft. Wayne, IN 46825 (260) 482-6699