

WIRING INSTRUCTIONS

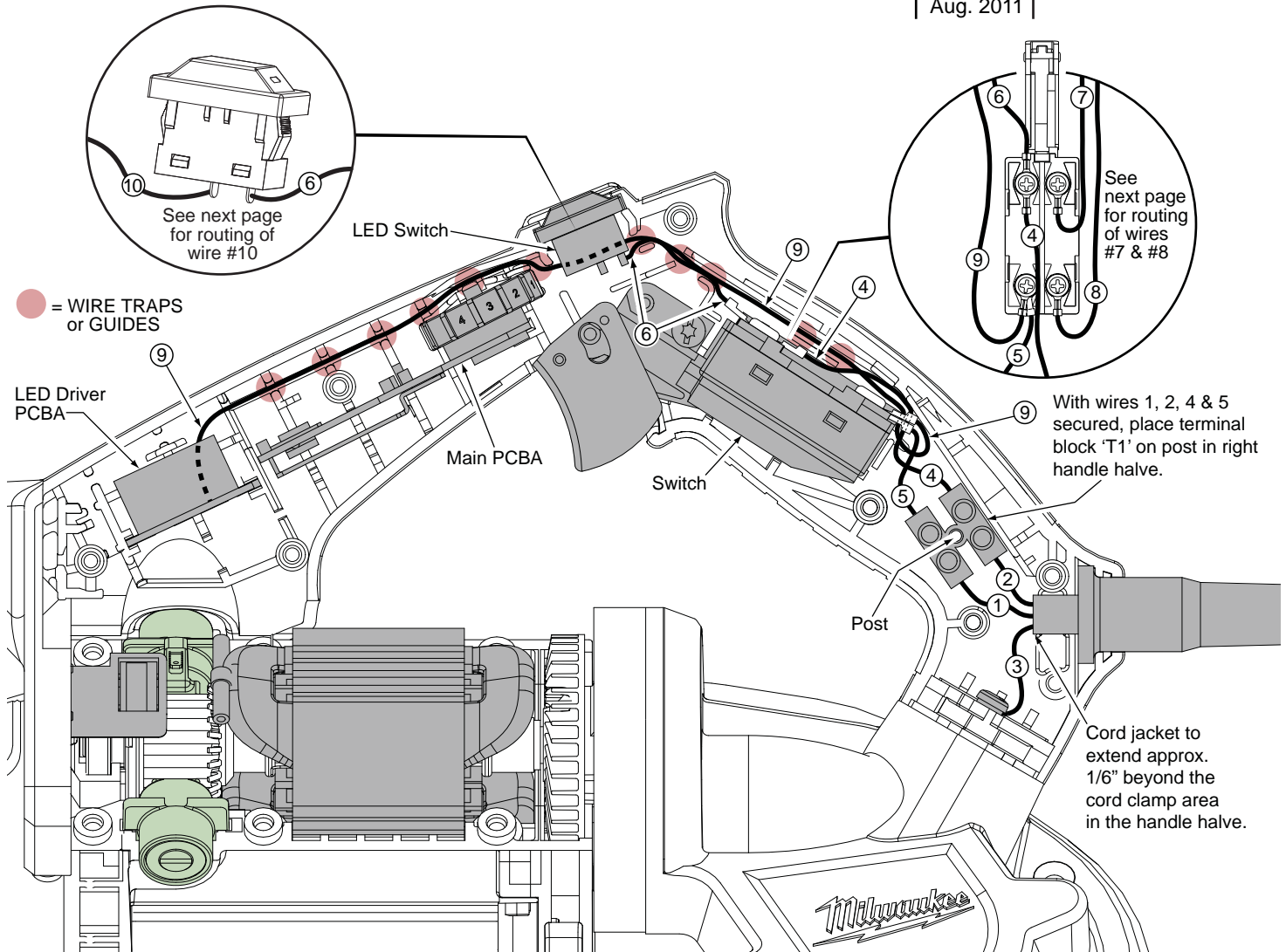
TITLE

AC COMPACT BAND SAW

MILWAUKEE ELECTRIC TOOL CORP. 13135 WEST LISBON RD. BROOKFIELD, WIS.

DATE
Aug. 2011

**BULLETIN
58-01-6200**



WIRING SPECIFICATIONS

Wire No.	Wire Color	Origin or Gauge	Length (Inches)	Terminals, Connectors and 1 or 2 End Wire Preparation
1	White	Cord, 18	1-9/16	Route from cord to bottom left position on terminal block T1.
2	Black	Cord, 18	1-9/16	Route from cord to bottom right position on terminal block T1.
3	Green	Cord, 18	1-3/4	Route from cord and secure ground screw terminal to gearcase.
4	Black	23-94-0060	3-3/8	Connect to top right position on T1. Connect to position '1' on top left side of switch, along with #6.
5	White	23-94-0065	1-3/4	Connect to bottom left position on T1. Connect to position '2' on bottom left side of switch, along with #9.
6	Red	LED Switch	1-15/16	Route from LED switch to position '1' on top-left side of switch, along with #4.
7	Black	PCBA Assy.	7-1/4	Route from PCBA assembly to position '2' on top right side of switch.
8	White	PCBA Assy.	9-1/4	Route from PCBA assembly to position '1' on bottom right side of switch.
9	White	LED PCBA	9-1/16	Route from LED PCBA to position '2' on bottom left side of switch, along with #5.
10	Black	LED PCBA	5-1/2	Route from LED PCBA to position '2' on LED switch and solder.
11a	Red	LED	10-5/8	Place LED in deck and route wires through deck up into right handle.
11b	Black	LED	10-5/8	Attach connector end of #11a and #11b to block on LED PCBA.
12a	White	Sensor PCBA	5-1/8	Place Sensor PCBA in motor cover, routing wires through opening as shown. Attach connector end of #12a and #12b to connector end of #13a and 13b.
12b	Black	Sensor PCBA	5-1/8	
13a	White	PCBA Assy.	2-3/8	Attach connector end of #13a and #13b to connector end of #12a and #12b.
13b	Black	PCBA Assy.	2-3/8	
14	Blue	PCBA Assy.	1-3/8	Join connector end to connector on white field wire #15.
15	White	Field	6-1/2	Join connector end to connector on blue PCBA assembly wire #14.
16	Red	Field	2-9/16	Route wire from field to bottom (left) brush tube assembly.
17	Red	23-94-0085	6-1/2	Join one end to connector of red wire #18 from PCBA assembly. Connect other end to top (right) brush tube assembly.
18	Red	PCBA Assy.	4-3/4	Join connector to corresponding connector of red leadwire assy. #17.
19	Black	Field	----	Jumper wire. Component of field (Not Illustrated).

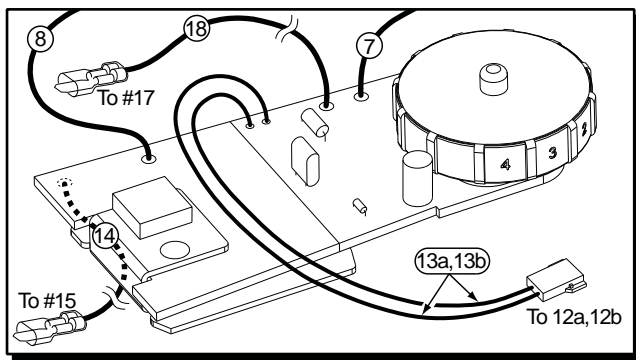
BULK LEAD WIRE - BULLETIN NO. 58-01-0003

AS AN AID TO REASSEMBLY, TAKE NOTICE OF WIRE ROUTING AND POSITION IN WIRE GUIDES AND TRAPS WHILE DISMANTLING TOOL.

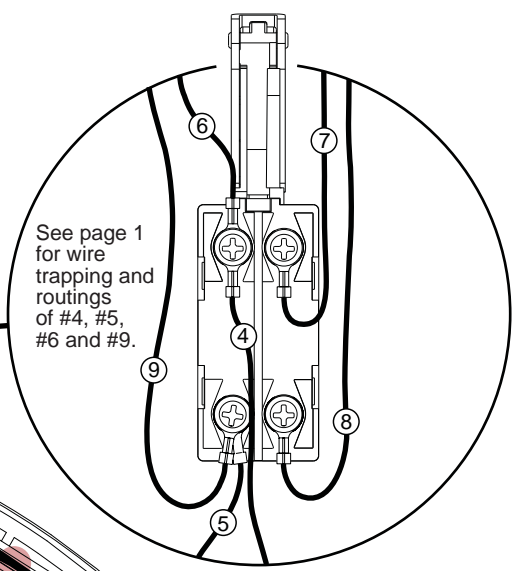
BE CAREFUL AND AVOID PINCHING WIRES BETWEEN HANDLE HALVES WHEN ASSEMBLING.

NOTE:
All leads must be held to ± 1/8".
All lead lengths are before stripping.

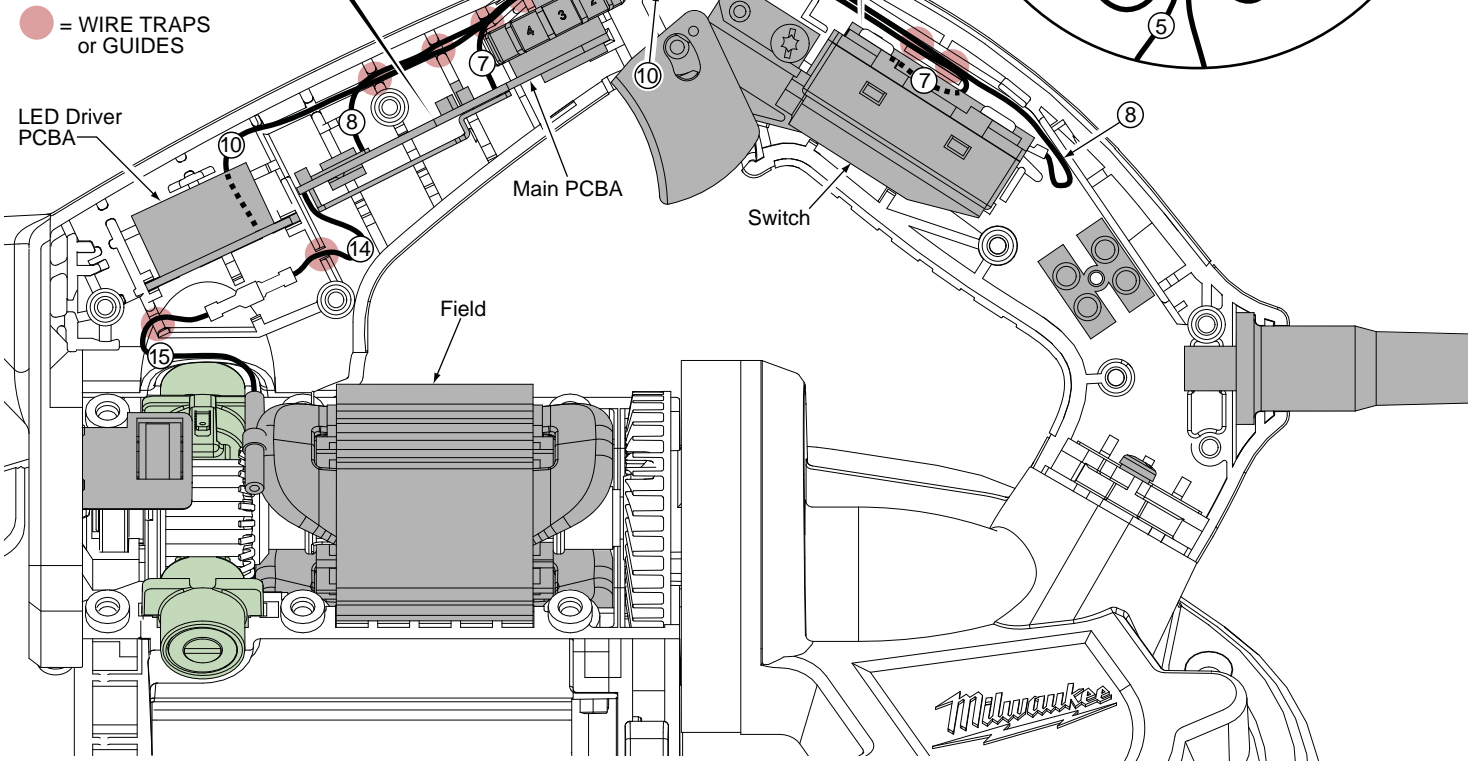
TERMINAL DESCRIPTION		
Code	Part No.	Qty.
T1	22-56-0475	1



See next page for wire trapping and routings of #14, #13a, #13b and #18.



See page 1 for wire trapping and routings of #4, #5, #6 and #9.



● = WIRE TRAPS or GUIDES

WIRING SPECIFICATIONS

Wire No.	Wire Color	Origin or Gauge	Length (Inches)	Terminals, Connectors and 1 or 2 End Wire Preparation
1	White	Cord, 18	1-9/16	Route from cord to bottom left position on terminal block T1.
2	Black	Cord, 18	1-9/16	Route from cord to bottom right position on terminal block T1.
3	Green	Cord, 18	1-3/4	Route from cord and secure ground screw terminal to gearcase.
4	Black	23-94-0060	3-3/8	Connect to top right position on T1. Connect to position '1' on top left side of switch, along with #6.
5	White	23-94-0065	1-3/4	Connect to bottom left position on T1. Connect to position '2' on bottom left side of switch, along with #9.
6	Red	LED Switch	1-15/16	Route from LED switch to position '1' on top left side of switch, along with #4.
7	Black	PCBA Assy.	7-1/4	Route from PCBA assembly to position '2' on top right side of switch.
8	White	PCBA Assy.	9-1/4	Route from PCBA assembly to position '1' on bottom right side of switch.
9	White	LED PCBA	9-1/16	Route from LED PCBA to position '2' on bottom left side of switch, along with #5.
10	Black	LED PCBA	5-1/2	Route from LED PCBA to position '2' on LED switch and solder.
11a	Red	LED	10-5/8	Place LED in deck and route wires through deck up into right handle.
11b	Black	LED	10-5/8	Attach connector end of #11a and #11b to block on LED PCBA.
12a	White	Sensor PCBA	5-1/8	Place Sensor PCBA in motor cover, routing wires through opening as shown. Attach connector end of #12a and #12b to connector end of #13a and #13b.
12b	Black	Sensor PCBA	5-1/8	
13a	White	PCBA Assy.	2-3/8	Attach connector end of #13a and #13b to connector end of #12a and #12b.
13b	Black	PCBA Assy.	2-3/8	
14	Blue	PCBA Assy.	1-3/8	Join connector end to connector on white field wire #15.
15	White	Field	6-1/2	Join connector end to connector on blue PCBA assembly wire #14.
16	Red	Field	2-9/16	Route wire from field to bottom (left) brush tube assembly.
17	Red	23-94-0085	6-1/2	Join one end to connector of red wire #18 from PCBA assembly. Connect other end to top (right) brush tube assembly.
18	Red	PCBA Assy.	4-3/4	Join connector to corresponding connector of red leadwire assy. #17.
19	Black	Field	----	Jumper wire. Component of field (Not Illustrated).

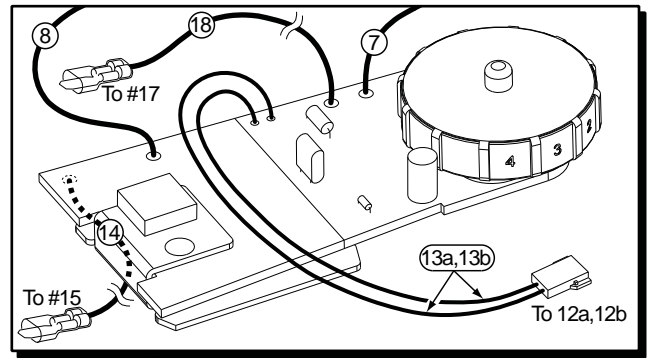
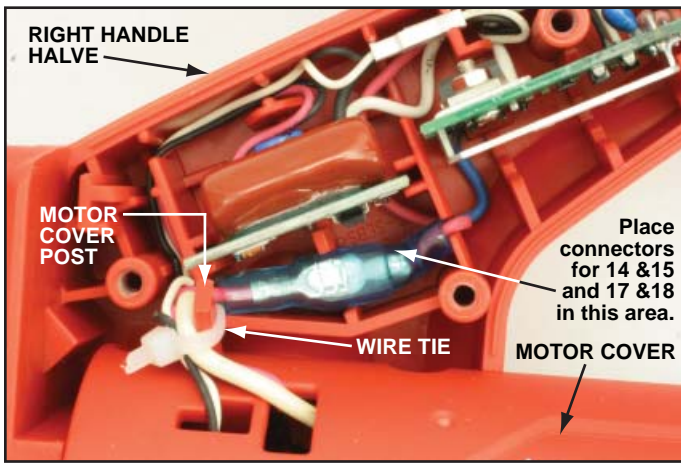
BULK LEAD WIRE - BULLETIN NO. 58-01-0003

AS AN AID TO REASSEMBLY, TAKE NOTICE OF WIRE ROUTING AND POSITION IN WIRE GUIDES AND TRAPS WHILE DISMANTLING TOOL.

BE CAREFUL AND AVOID PINCHING WIRES BETWEEN HANDLE HALVES WHEN ASSEMBLING.

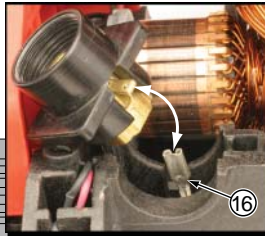
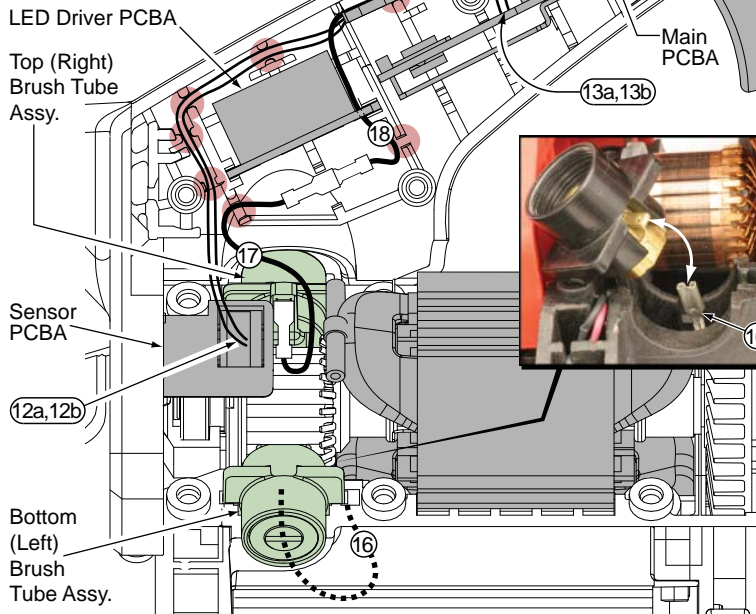
NOTE:
All leads must be held to ± 1/8".
All lead lengths are before stripping.

TERMINAL DESCRIPTION		
Code	Part No.	Qty.
T1	22-56-0475	1



See previous page for wire trapping and routings of #7, #8 and #14.

Black and white Sensor PCBA wires #12a and 12b along with white field wire #15 and red leadwire assembly #17 are to be routed through holes in the motor cover as shown. Connect #12a,12b to #13a,13b. Connect #14 to #15 and connect #17 to #18. Secure wires #12a,12b, #15 and #17 to motor cover post with small wire tie.



Red field wire #16 connects to the Bottom (left) brush tube assembly as shown. Push wire terminal onto brush tube tab and slide assembly (terminal down) into groove of deck.

● = WIRE TRAPS or GUIDES

WIRING SPECIFICATIONS

Wire No.	Wire Color	Origin or Gauge	Length (Inches)	Terminals, Connectors and 1 or 2 End Wire Preparation
1	White	Cord, 18	1-9/16	Route from cord to bottom left position on terminal block T1.
2	Black	Cord, 18	1-9/16	Route from cord to bottom right position on terminal block T1.
3	Green	Cord, 18	1-3/4	Route from cord and secure ground screw terminal to gearcase.
4	Black	23-94-0060	3-3/8	Connect to top right position on T1. Connect to position '1' on top left side of switch, along with #6.
5	White	23-94-0065	1-3/4	Connect to bottom left position on T1. Connect to position '2' on bottom left side of switch, along with #9.
6	Red	LED Switch	1-15/16	Route from LED switch to position '1' on top left side of switch, along with #4.
7	Black	PCBA Assy.	7-1/4	Route from PCBA assembly to position '2' on top right side of switch.
8	White	PCBA Assy.	9-1/4	Route from PCBA assembly to position '1' on bottom right side of switch.
9	White	LED PCBA	9-1/16	Route from LED PCBA to position '2' on bottom left side of switch, along with #5.
10	Black	LED PCBA	5-1/2	Route from LED PCBA to position '2' on LED switch and solder.
11a	Red	LED	10-5/8	Place LED in deck and route wires through deck up into right handle.
11b	Black	LED	10-5/8	Attach connector end of #11a and #11b to block on LED PCBA.
12a	White	Sensor PCBA	5-1/8	Place Sensor PCBA in motor cover, routing wires through opening as shown. Attach connector end of #12a and #12b to connector end of #13a and #13b.
12b	Black	Sensor PCBA	5-1/8	
13a	White	PCBA Assy.	2-3/8	Attach connector end of #13a and #13b to connector end of #12a and #12b.
13b	Black	PCBA Assy.	2-3/8	
14	Blue	PCBA Assy.	1-3/8	Join connector end to connector on white field wire #15.
15	White	Field	6-1/2	Join connector end to connector on blue PCBA assembly wire #14.
16	Red	Field	2-9/16	Route wire from field to bottom (left) brush tube assembly.
17	Red	23-94-0085	6-1/2	Join one end to connector of red wire #18 from PCBA assembly. Connect other end to top (right) brush tube assembly.
18	Red	PCBA Assy.	4-3/4	Join connector to corresponding connector of red leadwire assy. #17.
19	Black	Field	----	Jumper wire. Component of field (Not Illustrated).

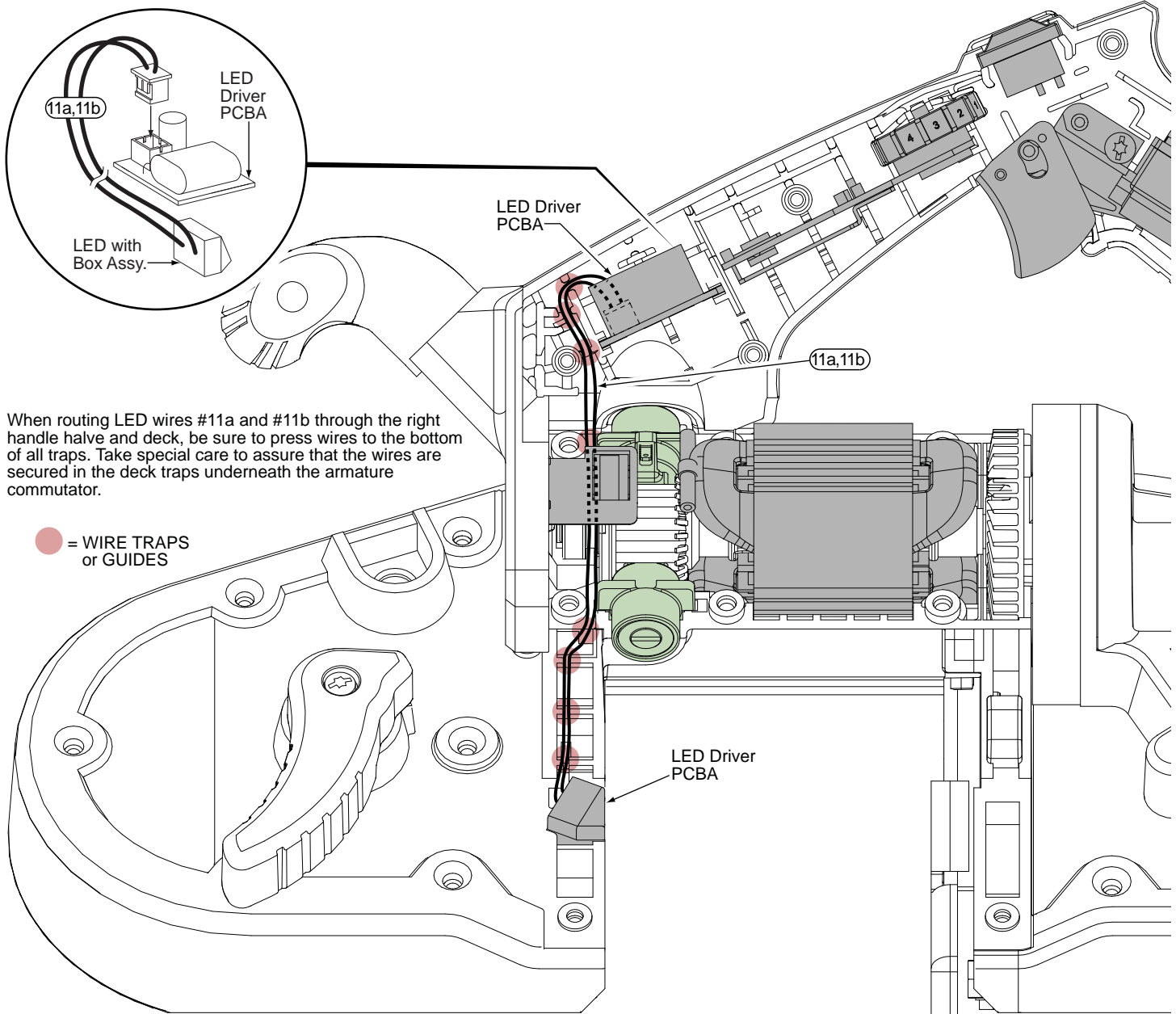
AS AN AID TO REASSEMBLY, TAKE NOTICE OF WIRE ROUTING AND POSITION IN WIRE GUIDES AND TRAPS WHILE DISMANTLING TOOL.

BE CAREFUL AND AVOID PINCHING WIRES BETWEEN HANDLE HALVES WHEN ASSEMBLING.

NOTE:
All leads must be held to ± 1/8".
All lead lengths are before stripping.

TERMINAL DESCRIPTION

Code	Part No.	Qty.
T1	22-56-0475	1



When routing LED wires #11a and #11b through the right handle half and deck, be sure to press wires to the bottom of all traps. Take special care to assure that the wires are secured in the deck traps underneath the armature commutator.

● = WIRE TRAPS or GUIDES

WIRING SPECIFICATIONS

Wire No.	Wire Color	Origin or Gauge	Length (Inches)	Terminals, Connectors and 1 or 2 End Wire Preparation
1	White	Cord, 18	1-9/16	Route from cord to bottom left position on terminal block T1.
2	Black	Cord, 18	1-9/16	Route from cord to bottom right position on terminal block T1.
3	Green	Cord, 18	1-3/4	Route from cord and secure ground screw terminal to gearcase.
4	Black	23-94-0060	3-3/8	Connect to top right position on T1. Connect to position '1' on top left side of switch, along with #6.
5	White	23-94-0065	1-3/4	Connect to bottom left position on T1. Connect to position '2' on bottom left side of switch, along with #9.
6	Red	LED Switch	1-15/16	Route from LED switch to position '1' on top left side of switch, along with #4.
7	Black	PCBA Assy.	7-1/4	Route from PCBA assembly to position '2' on top right side of switch.
8	White	PCBA Assy.	9-1/4	Route from PCBA assembly to position '1' on bottom right side of switch.
9	White	LED PCBA	9-1/16	Route from LED PCBA to position '2' on bottom left side of switch, along with #5.
10	Black	LED PCBA	5-1/2	Route from LED PCBA to position '2' on LED switch and solder.
11a	Red	LED	10-5/8	Place LED in deck and route wires through deck up into right handle.
11b	Black	LED	10-5/8	Attach connector end of #11a and #11b to block on LED PCBA.
12a	White	Sensor PCBA	5-1/8	Place Sensor PCBA in motor cover, routing wires through opening as shown. Attach connector end of #12a and #12b to connector end of #13a and 13b.
12b	Black	Sensor PCBA	5-1/8	
13a	White	PCBA Assy.	2-3/8	Attach connector end of #13a and #13b to connector end of #12a and #12b.
13b	Black	PCBA Assy.	2-3/8	
14	Blue	PCBA Assy.	1-3/8	Join connector end to connector on white field wire #15.
15	White	Field	6-1/2	Join connector end to connector on blue PCBA assembly wire #14.
16	Red	Field	2-9/16	Route wire from field to bottom (left) brush tube assembly.
17	Red	23-94-0085	6-1/2	Join one end to connector of red wire #18 from PCBA assembly. Connect other end to top (right) brush tube assembly.
18	Red	PCBA Assy.	4-3/4	Join connector to corresponding connector of red leadwire assy. #17.
19	Black	Field	----	Jumper wire. Component of field (Not Illustrated).

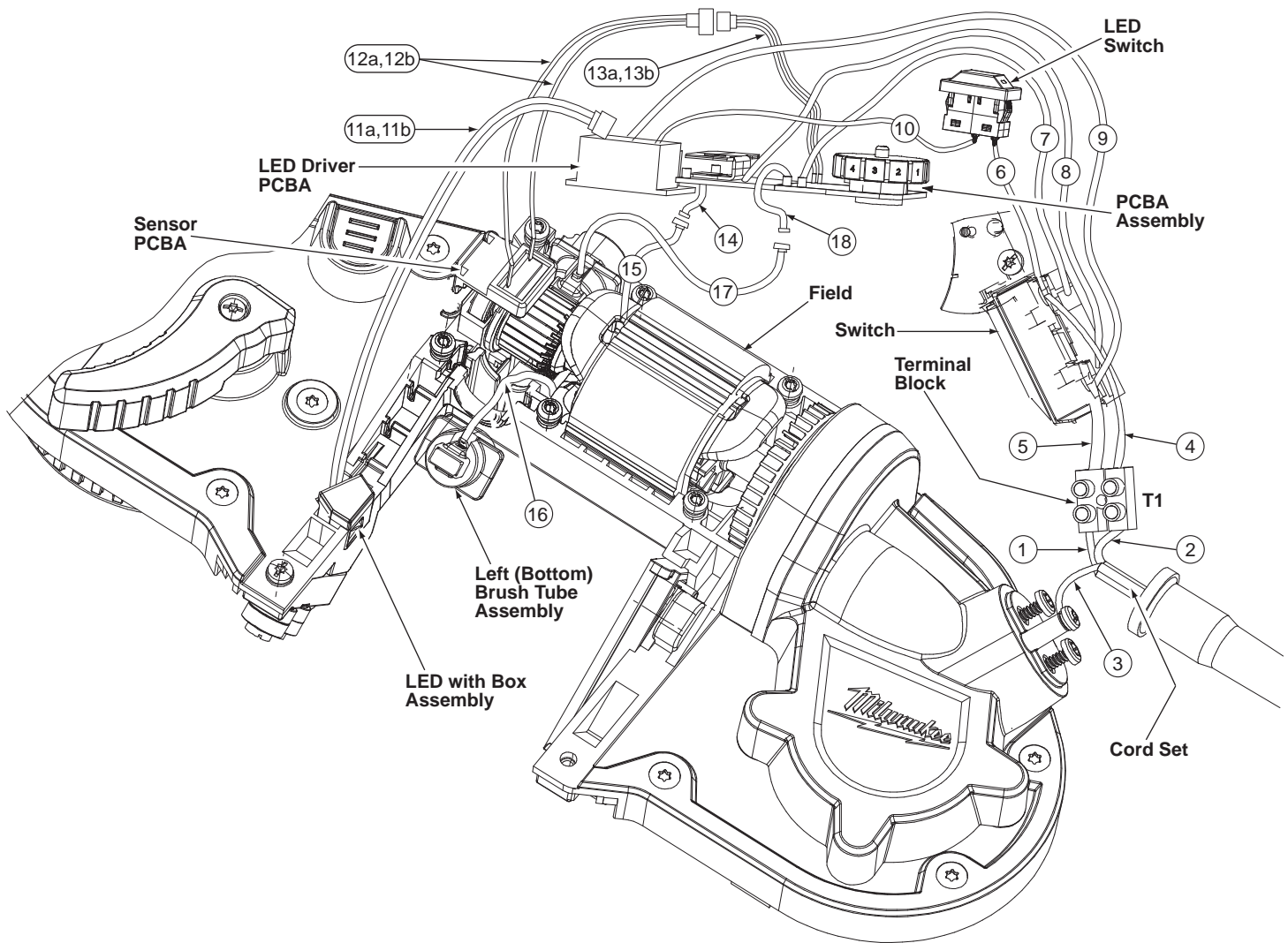
BULK LEAD WIRE - BULLETIN NO. 58-01-0003

AS AN AID TO REASSEMBLY, TAKE NOTICE OF WIRE ROUTING AND POSITION IN WIRE GUIDES AND TRAPS WHILE DISMANTLING TOOL.

BE CAREFUL AND AVOID PINCHING WIRES BETWEEN HANDLE HALVES WHEN ASSEMBLING.

NOTE:
All leads must be held to ± 1/8".
All lead lengths are before stripping.

TERMINAL DESCRIPTION		
Code	Part No.	Qty.
T1	22-56-0475	1



WIRING SPECIFICATIONS

Wire No.	Wire Color	Origin or Gauge	Length (Inches)	Terminals, Connectors and 1 or 2 End Wire Preparation
1	White	Cord, 18	1-9/16	Route from cord to bottom left position on terminal block T1.
2	Black	Cord, 18	1-9/16	Route from cord to bottom right position on terminal block T1.
3	Green	Cord, 18	1-3/4	Route from cord and secure ground screw terminal to gearcase.
4	Black	23-94-0060	3-3/8	Connect to top right position on T1. Connect to position '1' on top left side of switch, along with #6.
5	White	23-94-0065	1-3/4	Connect to bottom left position on T1. Connect to position '2' on bottom left side of switch, along with #9.
6	Red	LED Switch	1-15/16	Route from LED switch to position '1' on top left side of switch, along with #4.
7	Black	PCBA Assy.	7-1/4	Route from PCBA assembly to position '2' on top right side of switch.
8	White	PCBA Assy.	9-1/4	Route from PCBA assembly to position '1' on bottom right side of switch.
9	White	LED PCBA	9-1/16	Route from LED PCBA to position '2' on bottom left side of switch, along with #5.
10	Black	LED PCBA	5-1/2	Route from LED PCBA to position '2' on LED switch and solder.
11a	Red	LED	10-5/8	Place LED in deck and route wires through deck up into right handle.
11b	Black	LED	10-5/8	Attach connector end of #11a and #11b to block on LED PCBA.
12a	White	Sensor PCBA	5-1/8	Place Sensor PCBA in motor cover, routing wires through opening as shown. Attach connector end of #12a and #12b to connector end of #13a and #13b.
12b	Black	Sensor PCBA	5-1/8	
13a	White	PCBA Assy.	2-3/8	Attach connector end of #13a and #13b to connector end of #12a and #12b.
13b	Black	PCBA Assy.	2-3/8	
14	Blue	PCBA Assy.	1-3/8	Join connector end to connector on white field wire #15.
15	White	Field	6-1/2	Join connector end to connector on blue PCBA assembly wire #14.
16	Red	Field	2-9/16	Route wire from field to bottom (left) brush tube assembly.
17	Red	23-94-0085	6-1/2	Join one end to connector of red wire #18 from PCBA assembly. Connect other end to top (right) brush tube assembly.
18	Red	PCBA Assy.	4-3/4	Join connector to corresponding connector of red leadwire assy. #17.
19	Black	Field	----	Jumper wire. Component of field (Not Illustrated).

BULK LEAD WIRE - BULLETIN NO. 58-01-0003

AS AN AID TO REASSEMBLY, TAKE NOTICE OF WIRE ROUTING AND POSITION IN WIRE GUIDES AND TRAPS WHILE DISMANTLING TOOL.

BE CAREFUL AND AVOID PINCHING WIRES BETWEEN HANDLE HALVES WHEN ASSEMBLING.

NOTE:
All leads must be held to ± 1/8".
All lead lengths are before stripping.

TERMINAL DESCRIPTION		
Code	Part No.	Qty.
T1	22-56-0475	1