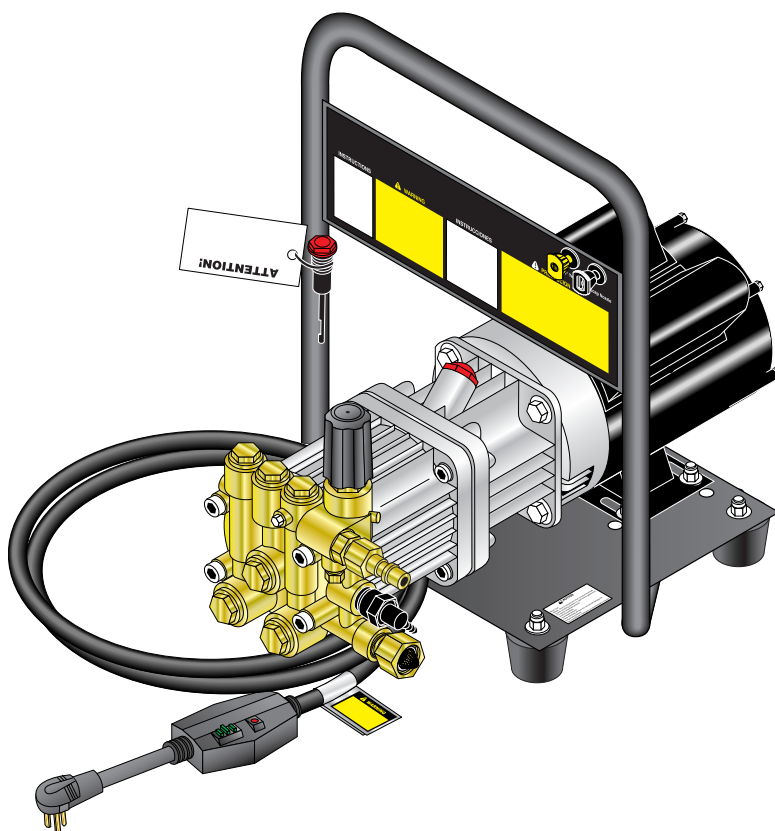




# KÄRCHER

## OPERATOR'S MANUAL



<u>MODEL</u>	<u>ORDER #</u>	<u>MODEL</u>
HD 2.0/10 Ed	1.575-400.0	HE-201006D
HD 1.8/14 Ed	1.575-401.0	HE-201406D

To locate your local Kärcher Commercial Pressure Washer Dealer nearest you,  
visit [www.karchercommercial.us](http://www.karchercommercial.us)

9.800-088.0

# CONTENTS

---

Important Safety Information .....	3-4
Component Identification .....	5
Assembly Instructions.....	6
Operating Instructions.....	7
Applying Detergent and General Operating Techniques.....	8
Shut Down and Clean-Up .....	9
Storage .....	9
Troubleshooting .....	10
Preventative Maintenance .....	11
Oil Change Record .....	11
Exploded View .....	12
Exploded View Parts List .....	13-14
Hose and Spray Gun Assembly.....	15
AXD Pump Exploded View and Parts List .....	16-17
Warranty	

Model Number \_\_\_\_\_

Serial Number \_\_\_\_\_

Date of Purchase \_\_\_\_\_

The model and serial numbers will be found on a decal attached to the pressure washer. You should record both serial number and date of purchase and keep in a safe place for future reference.

# INTRODUCTION & IMPORTANT SAFETY INFORMATION

Thank you for purchasing this Pressure Washer. We reserve the right to make changes at any time without incurring any obligation.

## Owner/User Responsibility:

The owner and/or user must have an understanding of the manufacturer's operating instructions and warnings before using this pressure washer. Warning information should be emphasized and understood. If the operator is not fluent in English, the manufacturer's instructions and warnings shall be read to and discussed with the operator in the operator's native language by the purchaser/owner, making sure that the operator comprehends its contents.

Owner and/or user must study and maintain for future reference the manufacturers' instructions.

The operator must know how to stop the machine quickly and understand the operation of all controls. Never permit anyone to operate the engine without proper instructions.


**This manual should be considered a permanent part of the machine and should remain with it if machine is resold.**

**When ordering parts, please specify model and serial number. Use only identical replacement parts.**

**This machine is to be used only by trained operators.**

## IMPORTANT SAFETY INFORMATION

**! WARNING**



**READ OPERATOR'S MANUAL THOROUGHLY PRIOR TO USE.**

**WARNING: To reduce the risk of injury, read operating instructions carefully before using.**

1. Read the owner's manual thoroughly. Failure to follow instructions could cause malfunction of the machine and result in death, serious bodily injury and/or property damage.
2. Know how to stop the machine and bleed pressure quickly. Be thoroughly familiar with the controls.
3. Stay alert — watch what you are doing.
4. All installations must comply with local codes. Contact your electrician, plumber, utility company or the selling distributor for specific details. If your machine is rated 250 volts or less, single phase will be provided with a ground fault circuit interrupter (GFCI). If rated more than 250 volts, or more than single phase this product should only be connected to a power supply receptacle protected by a GFCI.

**DANGER: Improper connection of the equipment-grounding conductor can result in a risk of electrocution. Check with a qualified electrician or service personnel if you are in doubt as to whether the outlet is properly grounded. Do not modify the plug provided with the product - if it will not fit the outlet, have a proper outlet installed by a qualified electrician. Do not use any type of adaptor with this product**

**! WARNING**



**KEEP WATER SPRAY AWAY FROM ELECTRICAL WIRING.**

**WARNING: Keep wand, hose, and water spray away from electric wiring or fatal electric shock may result.**

5. To protect the operator from electrical shock, the machine must be electrically grounded. It is the responsibility of the owner to connect this machine

to a UL grounded receptacle of proper voltage and amperage ratings. Do not spray water on or near electrical components. Do not touch machine with wet hands or while standing in water. Always disconnect power before servicing.

**! WARNING**



**RISK OF EXPLOSION: DO NOT SPRAY FLAMMABLE LIQUIDS.**

**WARNING: Flammable liquids can create fumes which can ignite, causing property damage or severe injury.**

**WARNING: Risk of explosion — Do not spray flammable liquids.**

6. Do not allow acids, caustic or abrasive fluids to pass through the pump.
7. Never run pump dry or leave spray gun closed longer than 1-2 minutes.
8. Keep operating area clear of all persons.

**! WARNING**



**USE PROTECTIVE EYE WEAR AND CLOTHING WHEN OPERATING THIS EQUIPMENT.**

**WARNING: High pressure spray can cause paint chips or other particles to become airborne and fly at high speeds. To avoid personal injury, eye, hand and foot safety devices must be worn.**

9. Eye, hand, and foot protection must be worn when using this equipment.

## IMPORTANT SAFETY INFORMATION



**WARNING:** Grip cleaning wand securely with both hands before starting. Failure to do this could result in injury from a whipping wand.



**WARNING:** High pressure developed by these machines will cause personal injury or equipment damage. Keep clear of nozzle. Use caution when operating. Do not direct discharge stream at people, or severe injury or death will result.

10. To reduce the risk of injury, close supervision is necessary when a machine is used near children. Do not allow children to operate the pressure washer. **This machine must be attended during operation.**
11. Never make adjustments on machine while in operation.
12. Be certain all quick coupler fittings are secured before using pressure washer.



**WARNING: Protect machine from freezing.**

13. To keep machine in best operating conditions, it is important you protect machine from freezing. Failure to protect machine from freezing could cause malfunction of the machine and result in death, serious bodily injury, and/or property damage. Follow storage instructions specified in this manual.

14. Inlet water must be clean fresh water and no hotter than 90°F.
15. Manufacturer will not be liable for any changes made to our standard machines or any components not purchased from us.
16. The best insurance against an accident is precaution and knowledge of the machine.

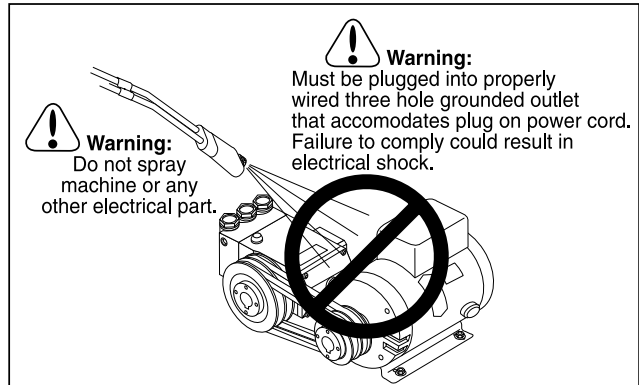


**WARNING:** Be extremely careful when using a ladder, scaffolding or any other relatively unstable location. The cleaning area should have adequate slopes and drainage to reduce the possibility of a fall due to slippery surfaces.

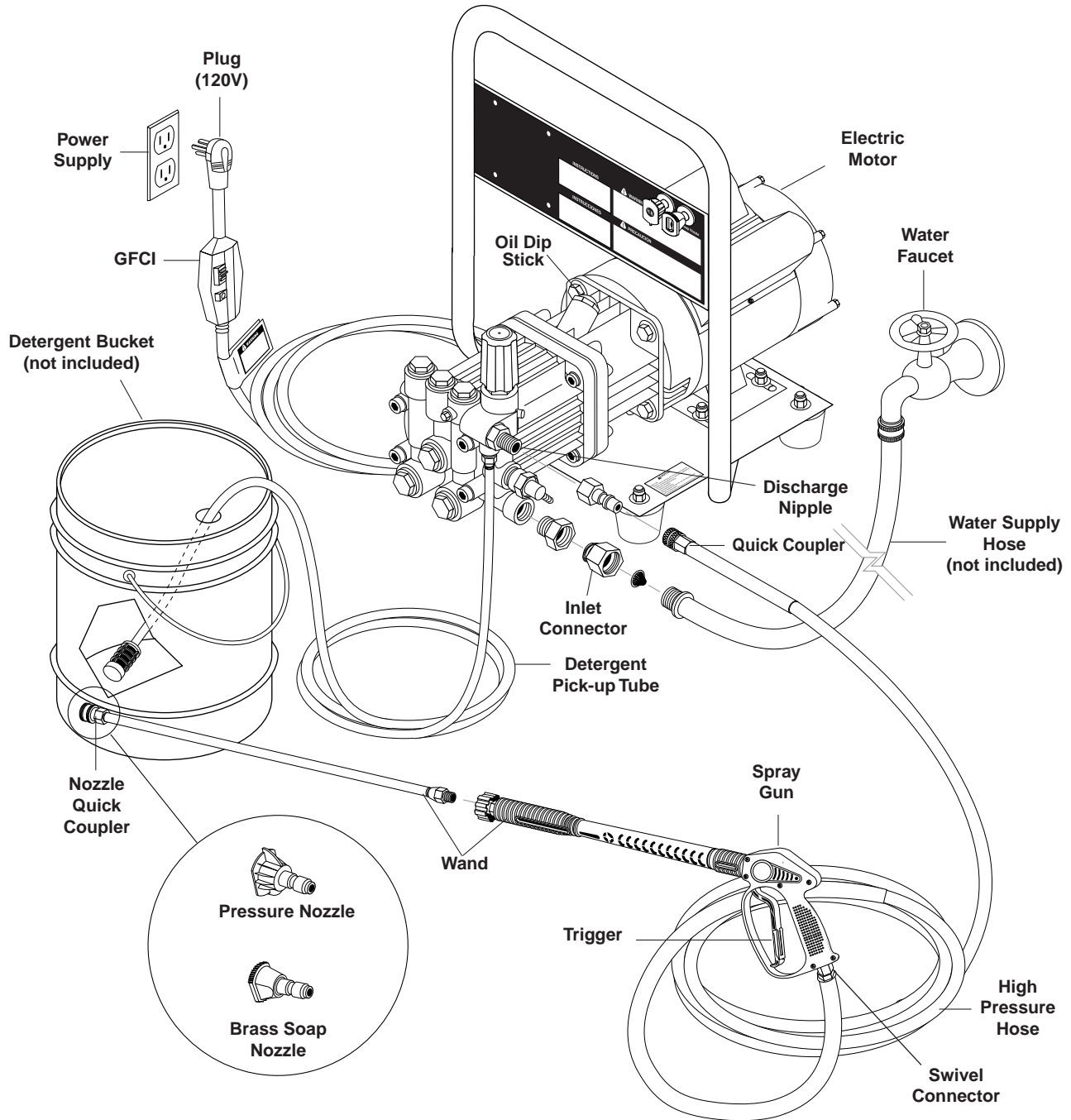
17. Do not overreach or stand on unstable support. Keep good footing and balance at all times.
18. Do not operate this machine when fatigued or under the influence of alcohol, prescription medications, or drugs.



**Follow the maintenance instructions specified in the manual.**



# COMPONENT IDENTIFICATION



**Detergent Injector** - Allows you to siphon and mix detergents.

**High Pressure Hose** - Connect one end to water pump discharge nipple and the other end to spray gun.

**Nozzle Quick Coupler** -

**Pump** - Develops high pressure.

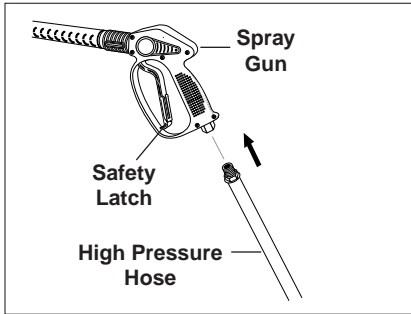
**Spray Gun** - Controls the application of water and detergent onto cleaning surface with trigger device. Includes safety latch.

**Swivel Connector** - Allows free range of movement to avoid coiling hoses.

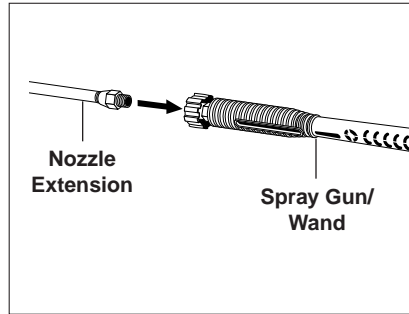
**Wand** - Must be connected to the spray gun.

**Note:** If trigger on spray gun is released for more than 2 minutes, water will leak from valve. Warm water will discharge from pump protector onto floor. This system prevents internal pump damage.

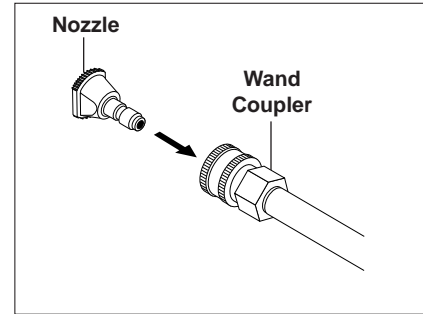
# ASSEMBLY INSTRUCTIONS



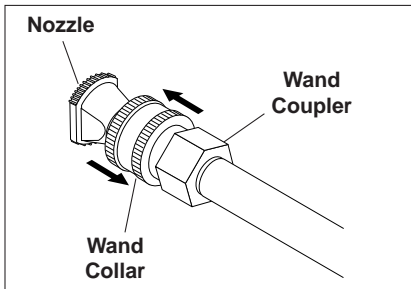
**STEP 1:** Attach the high pressure hose to the spray gun using teflon tape on hose threads.



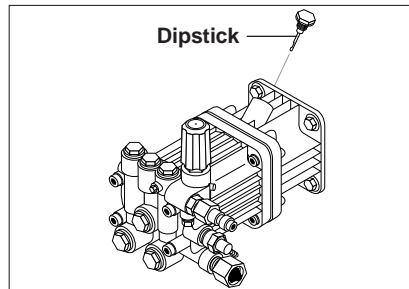
**STEP 2:** Attach nozzle extension to spray gun/wand. Tighten both by hand.



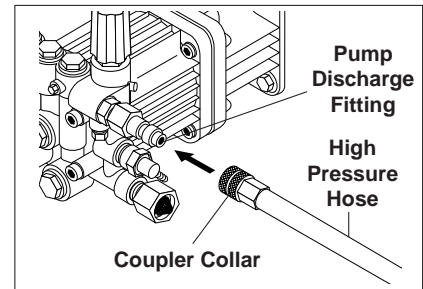
**STEP 3:** Pull the spring-loaded collar of the wand coupler back to insert your choice of pressure nozzle.



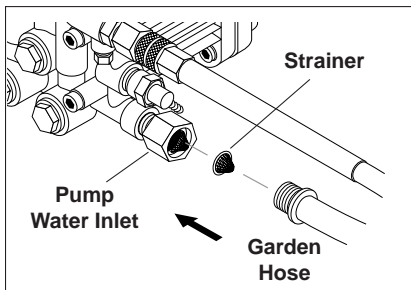
**STEP 4:** Release the coupler collar and push the nozzle until the collar clicks. Pull the nozzle to make sure it is seated properly.



**STEP 5:** Remove shipping cap and install oil dipstick. Check pump oil level by using dipstick. Use 30 wt. non detergent oil.



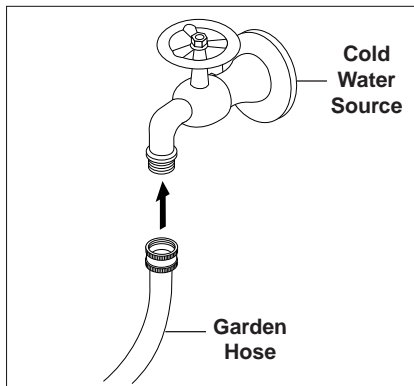
**STEP 6:** Connect the high pressure hose to the pump discharge fitting. Push coupler collar forward until secure.



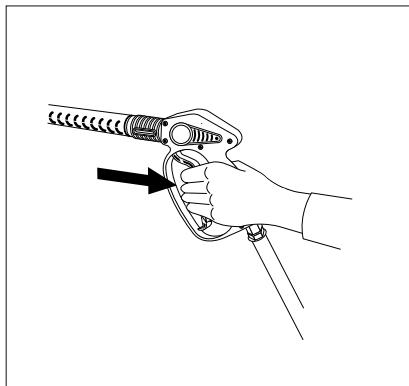
**STEP 7:** Inspect strainer for blockage. Connect the garden hose to pump water inlet.

**CAUTION:** Do not run the pump without water or pump damage will result.

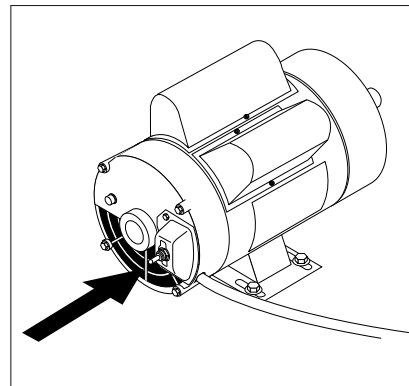
# OPERATING INSTRUCTIONS



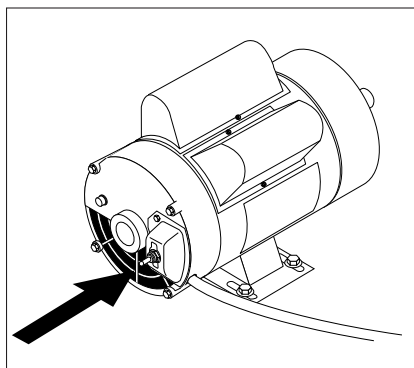
**STEP 1:** Connect garden hose to the cold water source and turn water on completely. Never use hot water.



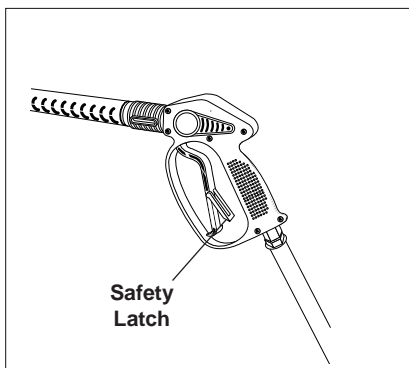
**STEP 2:** Trigger the spray gun to eliminate trapped air then wait for a steady flow of water to emerge from the spray nozzle.



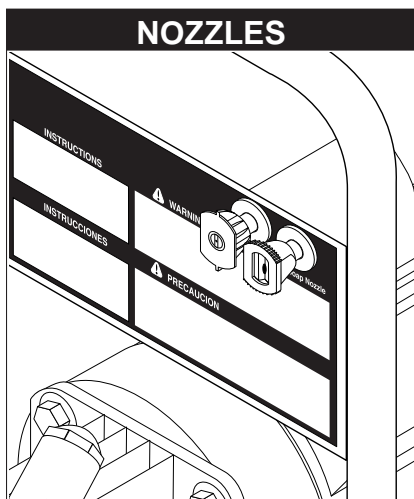
**STEP 4:** Connect to appropriate power supply.



**STEP 4:** Turn machine on by flipping switch at rear of motor.



**! WARNING!** Never replace nozzles without engaging the safety latch on the spray gun trigger.



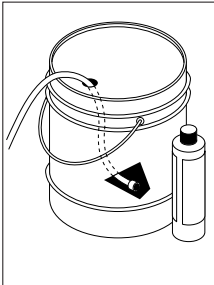
The two color-coded quick connect nozzles are easily accessible when placed in the convenient rubber nozzle holder, which is provided on the front of the machine.

**NOTE:** To rinse, select the yellow. To apply detergent select the black nozzle.

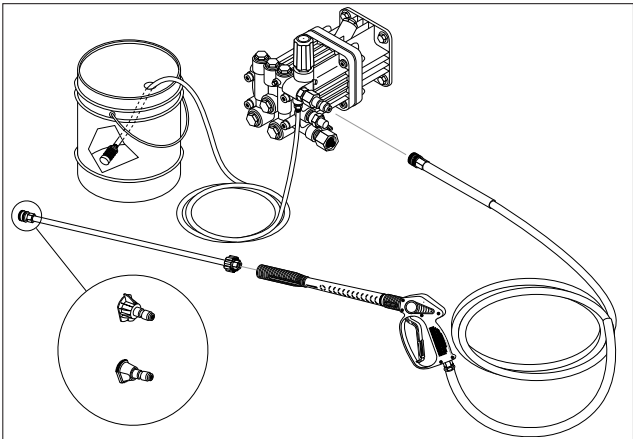
# DETERGENTS AND GENERAL OPERATING TECHNIQUES



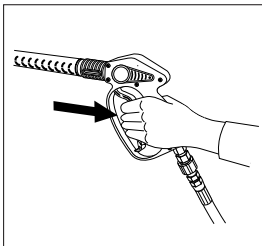
**WARNING:** Some detergents may be harmful if inhaled or ingested, causing severe nausea, fainting or poisoning. The harmful elements may cause property damage or severe injury.



**STEP 1:** Use detergent designed specifically for pressure washers. Household detergents could damage the pump. Prepare detergent solution as required by the manufacturer. Fill a container with pressure washer detergent. Place the filter end of detergent suction tube into the detergent container.



**STEP 2:** Apply safety latch to spray gun trigger. Secure black detergent nozzle into quick coupler. **NOTE:** Detergent cannot be applied using the Yellow nozzle.



**STEP 3:** With the engine running, pull trigger to operate machine. Liquid detergent is drawn into the machine and mixed with water. Apply detergent to work area. Do not allow detergent to dry on surface.

**IMPORTANT:** You must flush the detergent injection system after each use by placing the suction tube into a bucket of clean water, then run the pressure washer in low pressure for 1-2 minutes.

## THERMAL PUMP PROTECTION

If you run the engine on your pressure washer for 3-5 minutes without pressing the trigger on the spray gun, circulating water in the pump can reach high temperatures. When the water reaches this temperature, the pump protector engages and cools the pump by dis-

charging the warm water onto the ground. This thermal device prevents internal damage to the pump.

## CLEANING TIPS

Pre-rinse cleaning surface with fresh water. Place detergent suction tube directly into cleaning solution and apply to surface at low pressure (for best results, limit your work area to sections approximately 6 feet square and always apply detergent from bottom to top). Allow detergent to remain on surface 1-3 minutes. Do not allow detergent to dry on surface. If surface appears to be drying, simply wet down surface with fresh water. If needed, use brush to remove stubborn dirt. Rinse at high pressure from top to bottom in an even sweeping motion keeping the spray nozzle approximately 1 foot from cleaning surface. Use overlapping strokes as you clean and rinse any surface. For best surface cleaning action spray at a slight angle.

### Recommendations:

- Before cleaning any surface, an inconspicuous area should be cleaned to test spray pattern and distance for maximum cleaning results.
- If painted surfaces are peeling or chipping, use extreme caution as pressure washer may remove the loose paint from the surface.
- Keep the spray nozzle a safe distance from the surface you plan to clean. High pressure wash a small area, then check the surface for damage. If no damage is found, continue to pressure washing.

### **CAUTION - Never use:**

- Bleach, chlorine products and other corrosive chemicals
- Liquids containing solvents (i.e., paint thinner, gasoline, oils)
- Tri-sodium phosphate products
- Ammonia products
- Acid-based products

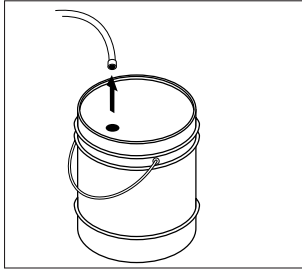
These chemicals will harm the machine and will damage the surface being cleaned.

## RINSING

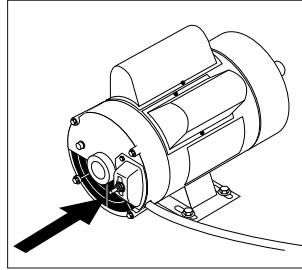
It will take a few seconds for the detergent to clear. Apply safety latch to spray gun. Remove black soap nozzle from the quick coupler. Select and install the desired high pressure nozzle. **NOTE:** You can also stop detergent from flowing by simply removing detergent siphon tube from bottle.



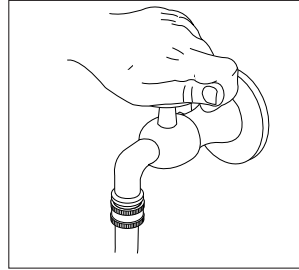
## SHUTTING DOWN AND CLEAN-UP



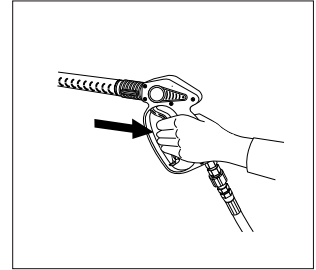
**STEP 1:** Remove detergent suction tube from container and insert into one gallon of fresh water. Slide nozzle forward for low pressure or to connect black detergent nozzle. Pull trigger on spray gun and siphon water for one minute.



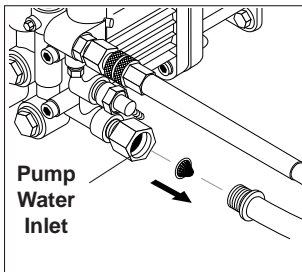
**STEP 2:** Turn off machine by flipping switch on rear of motor.



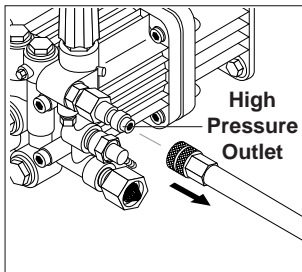
**STEP 3:** Turn off water supply.



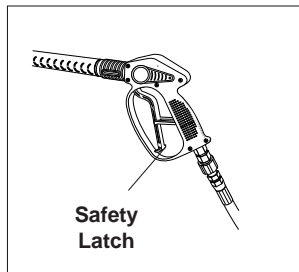
**STEP 4:** Press trigger to release water pressure.



**STEP 5:** Disconnect the garden hose from the water inlet on the machine.



**STEP 6:** Disconnect the high pressure hose from high pressure outlet.



**STEP 7:** Engage the spray gun safety lock.

## STORAGE

### Pump Storage



**CAUTION**

**CAUTION:** Always store your pressure washer in a location where the temperature will not fall below 32° F (0° C). The pump in this machine is susceptible to permanent damage if frozen.

**FREEZE DAMAGE IS NOT COVERED BY WARRANTY.**

If you must store your pressure washer in a location where the temperature is below 32° F, you can minimize the chance of damage to your machine by draining your machine as follows:

1. Stop the pressure washer and detach supply hose and high pressure hose. Squeeze the trigger of the spray gun to drain all water from the wand and hose.
2. Restart pressure washer and let it run briefly (about 5 seconds) until water no longer discharges from the high pressure outlet.

## TROUBLESHOOTING

PROBLEM	POSSIBLE CAUSE	SOLUTION
<b>PUMP RUNNING NORMALLY BUT PRESSURE LOW ON INSTALLATION</b>	Pump sucking air	Check water supply and possibility of air seepage.
	Check valves sticking	Check and clean or replace if necessary.
	Unloader valve seat faulty	Check and replace if necessary.
	Nozzle incorrectly sized	Check and replace if necessary.
	Worn piston packing	Check and replace if necessary.
<b>FLUCTUATING PRESSURE</b>	Valves worn	Check and replace if necessary.
	Blockage in valve	Check and replace if necessary.
	Pump sucking air	Check water supply connections.
	Worn piston packing	Check and replace if necessary.
	Insufficient water	Check filter and hose for breakage/clogging
<b>PRESSURE LOW AFTER PERIOD OF NORMAL USE</b>	Nozzle worn	Check and replace if necessary.
	Suction or delivery valves worn	Check and replace if necessary.
	Suction or delivery lines blocked	Check and clean if necessary.
	Unloader valve seat worn	Check and replace if necessary.
	Worn piston package	Check and replace if necessary.
	Water temperature excessive	Reduce to below 140° F.
<b>PUMP NOISY</b>	Air in suction line	Check water supply and connections on suction line.
	Broken or weak suction or delivery valve spring.	Check and replace if necessary.
	Foreign matter in valves	Check and clean if necessary.
	Worn bearings	Check and replace if necessary.
	Water temperature excessive	Reduce to below 160° F.
<b>PRESENCE OF WATER IN PUMP OIL</b>	Oil seal worn	Check and replace if necessary.
	High humidity in air	Check and replace if necessary.
	Piston packing worn	Check and replace if necessary.
<b>WATER DRIPPING FROM UNDER PUMP</b>	Piston packing worn	Check and replace if necessary.
	O-ring plunger retainer worn	Check and replace if necessary.
<b>WATER DRIPPING FROM PUMP PROTECTOR</b>	Water supply pressure too high (over 90 psi)	Lower water supply pressure using regulator.
	Spray gun is in the off position for over 1-2 minutes	Turn machine off if not in use for over 1-2 minutes.
<b>OIL DRIPPING</b>	Oil seal worn	Check and replace if necessary.
<b>EXCESSIVE VIBRATION IN HIGH PRESSURE HOSE</b>	Irregular functioning of the pump valves	Check and replace if necessary.
<b>MOTOR DOES NOT START WHEN SWITCHED ON</b>	Plug not well connected or lack of power supply	Check plug, cable and switch.
<b>WHEN SWITCHING ON THE MACHINE, MOTOR HUMS BUT DOES NOT RUN</b>	Main voltage is insufficient, lower than the minimum required.	Check to make sure main power supply is adequate.
	The pump is stuck or frozen	Check by turning the motor manually.
<b>MOTOR STOPS</b>	Tripped thermal overload due to overheating	Check that main voltage corresponds to specifications for the machine. Wait a few minutes before turning on the machine again by resetting the GFCI on the cord.

## PREVENTATIVE MAINTENANCE

This pressure washer was produced with the best available materials and quality craftsmanship. However, you as the owner have certain responsibilities for the correct care of the equipment. Attention to regular preventative maintenance procedures will assist in preserving the performance of your equipment. Contact your dealer for maintenance. Regular preventative maintenance will add many hours to the life of your pressure washer. Perform maintenance more often under severe conditions.

Pump Oil	Inspect	Daily, Inspect the oil level
	Change	After first 50 hours, then every 500 hours or annually
Replace High Pressure Nozzle		Every 6 months
Replace Quick Connects		Annually
Replace Clean Water Screen/Filter		Weekly
Replace HP Hose		Annually if there is any sign of wear
Grease Motor		Every 10,000 hours or annually

### General Inspection

Inspect the motor at regular intervals, approximately every 500 hours of operation, or every 3 months, whichever occurs first. Keep the motor clean and the ventilation openings clear. The following steps should be performed at each inspection:

**WARNING:** Do not touch electrical connections before you first ensure that power has been disconnected. Electrical shock can cause serious or fatal injury. Only qualified personnel should attempt the installation, operation and maintenance of this equipment.

1. Check that the motor is clean. Check that the interior and exterior of the motor is free of dirt, oil, grease, water, etc. Oily vapor, paper pulp, textile lint, etc. can accumulate and block motor ventilation. If the motor is not properly ventilated overheating can occur and cause early motor failure.
2. Check all electrical connectors to be sure that they are tight.

### Lubrication & Bearings

Bearing grease will lose its lubricating ability over time, not suddenly. The lubricating ability of a grease (over time) depends primarily on the type of grease, the size of the bearing, the speed at which the bearing operates and the severity of the operating conditions. Good results can be obtained if the following recommendations are used in your maintenance program.

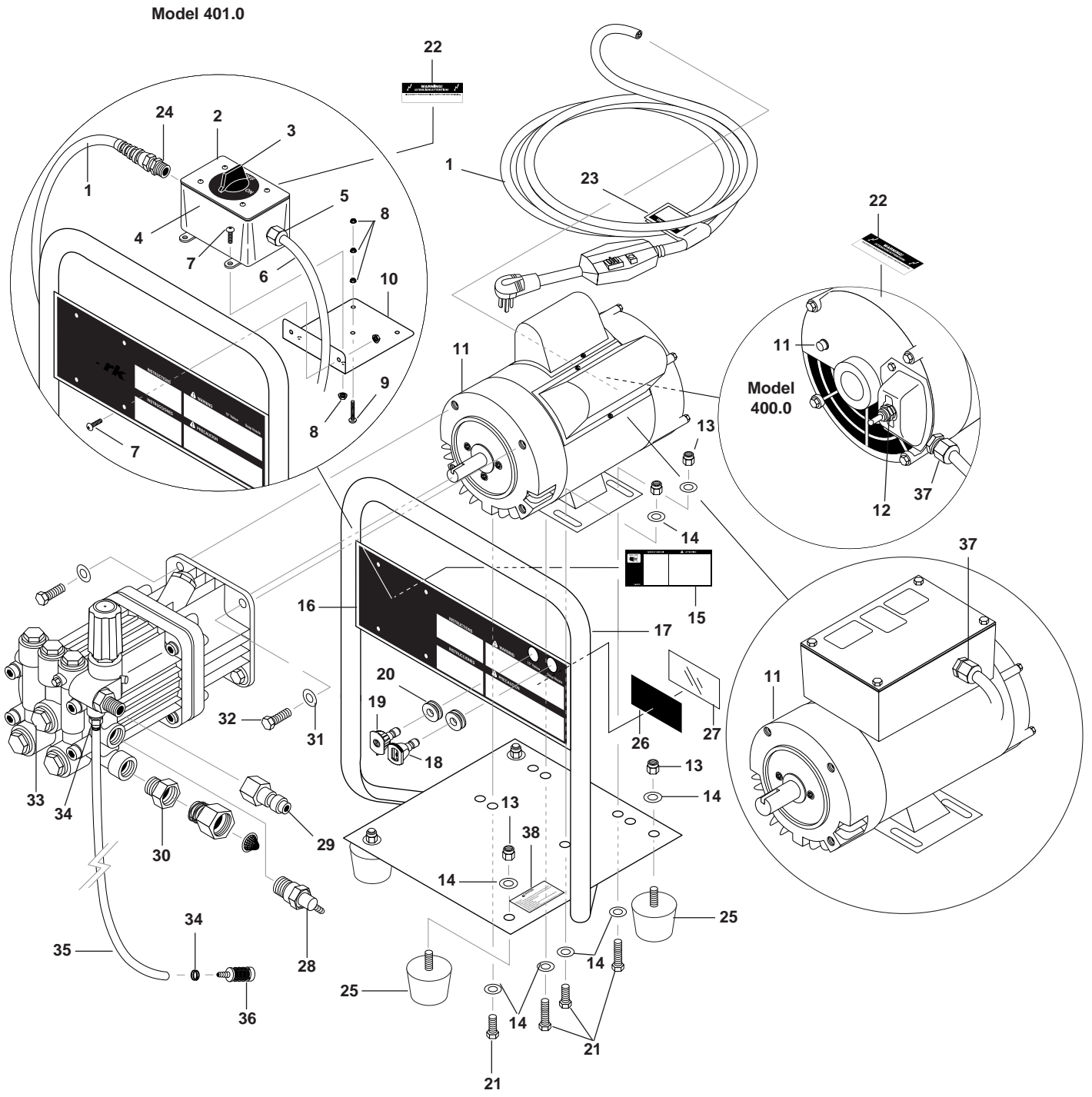
### Type of Grease

A high grade ball or roller bearing grease should be used. Recommended greases standard service conditions are: Shell Dolium R (Factory installed) or Chevron SRI

## OIL CHANGE RECORD

Date Oil Changed Month/Day/Year	Estimated Operating Hours Since Last Oil Change	Date Oil Changed Month/Day/Year	Estimated Operating Hours Since Last Oil Change

# EXPLODED VIEW



## EXPLODED VIEW PARTS LIST

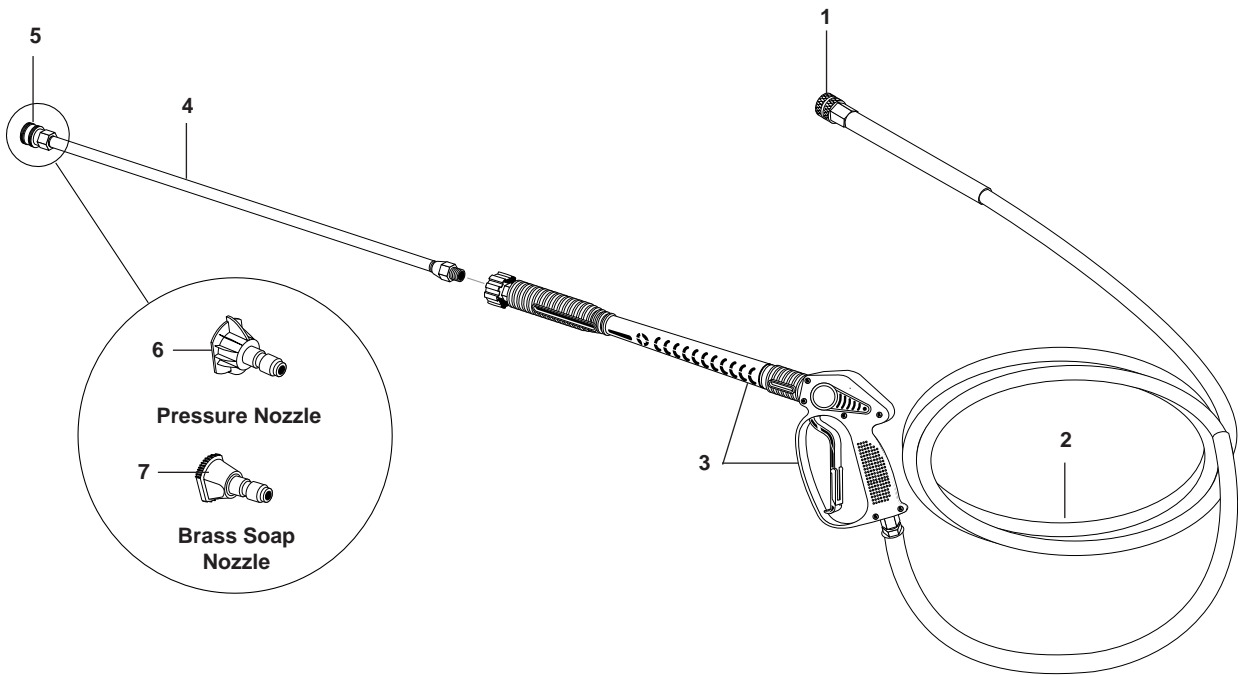
ITEM	PART NO.	DESCRIPTION	QTY
1	9.802-432.0	GFCI, 120V 15 Amp w/36' 12-3 Cord(400.0)	1
	9.802-431.0	GFCI, 120V 20 Amp w/36' 12-3 Cord(401.0)	1
2	9.802-478.0	Lid, Plastic Carlon (401.0)	1
3	9.802-450.0	Switch, 2 Position 120V-600V (401.0)	1
4	9.802-477.0	Box, Plastic Carlon (401.0)	1
	9.800-040.0	▲ Label, Ground	1
5	9.802-518.0	Strain Relief, Strt, LQ Tite, Large (401.0)	1
	9.802-526.0	▲ Locknut, 3/4"	1
6	9.802-427.0	Cord, Service, SOWA, 12/3 (401.0)	2 ft.
7	9.802-759.0	Screw, 10/32" x 1/2" BHSOC (401.0)	6
8	9.802-695.0	Nut, 10/32" Keps (401.0)	9
9	9.802-699.0	Screw, 10-32" x 3/4" RH, SL, Black (401.0)	1
10	9.803-128.0	Bracket, Switch Box (401.0)	1
11	9.802-338.0	Motor, 1.5 HP, 1 PH, 3450 RPM (400.0)	1
	9.802-339.0	Motor, 2 HP, 1 PH, 3450 RPM (401.0)	1
12	9.802-454.0	Switch, Toggle, Assy (400.0)	1
13	9.802-776.0	Nut, 5/16" ESNA, NC	8
14	9.802-804.0	Washer, 5/16" Flat SAE	12
15	9.800-037.0	Label, French Warning	1
16	9.800-059.0	Label, Instructions	1
17	9.802-873.0	Handle Assy, Black	1
18	9.802-311.0	Nozzle, Compl. QCEM-6540 w/Black Nylon (Soap Nozzle)	1
19	9.804-624.0	Nozzle, SAQCMEG 150375 Yellow (400.0)	1
	9.802-288.0	Nozzle, SAQCMEG 1503 Yellow (401.0)	1
20	9.802-064.0	Grommet, Rubber, Nozzle Holder	2
21	9.802-709.0	Bolt, 5/16" x 3/4" NC	4
22	9.800-016.0	Label, Disconnect Power	1
23	9.800-015.0	Label, Warning, Service Cord	1
24	9.802-516.0	Strain Relief, 90° (401.0)	1
	9.802-524.0	▲ Locknut, 1/2" Conduit (401.0)	1
25	9.802-063.0	Mount, Vibration, 5/16"-18 x 9/16" Stud, 30 Duro	4
26	9.800-013.0	Label, Intended For Indoor Use	1
27	9.800-034.0	Label, Clear Lexan, 2-1/4" x 4-1/2"	1
28	9.802-181.0	Pump Protector, 3/8" PTP	1
29	9.802-170.0	Nipple, 3/8" x 3/8" NPT ST Female	1
30	9.802-148.0	Adapter, 1/2" x 1/2" Pipe	1
31	9.802-807.0	Washer, 3/8" Flat SAE	4
32	9.802-720.0	Bolt, 3/8" x 1", NC	4
33	9.802-357.0	Pump, Comet AXD2020E	1
34	9.802-210.0	Clamp, Hose UNI .46 - .54	2
35	9.802-251.0	Hose, 1/4" x 1/2" Clear Vinyl	6 ft.
36	9.802-160.0	Strainer, 1/4" Barb	1

**EXPLODED VIEW PARTS LIST**

<b>ITEM</b>	<b>PART NO.</b>	<b>DESCRIPTION</b>	<b>QTY</b>
37	9.802-514.0	Strain Relief, Straight, LQ Tite (400.0)	1
	9.802-525.0	▲ Locknut, 1/2" (400.0)	1
	9.802-518.0	Strain Relief, 3/4" Strt. LQ Tite (401.0)	1
	9.802-526.0	▲ Locknut, 3/4" (401.0)	1
38	9.800-049.0	Label, Manufacturer's Cleaning Solution	1
39	9.800-095.0	Tag, Pump Plug/Vented Cap	1

▲ Not Shown

## HOSE & SPRAY GUN ASSEMBLY

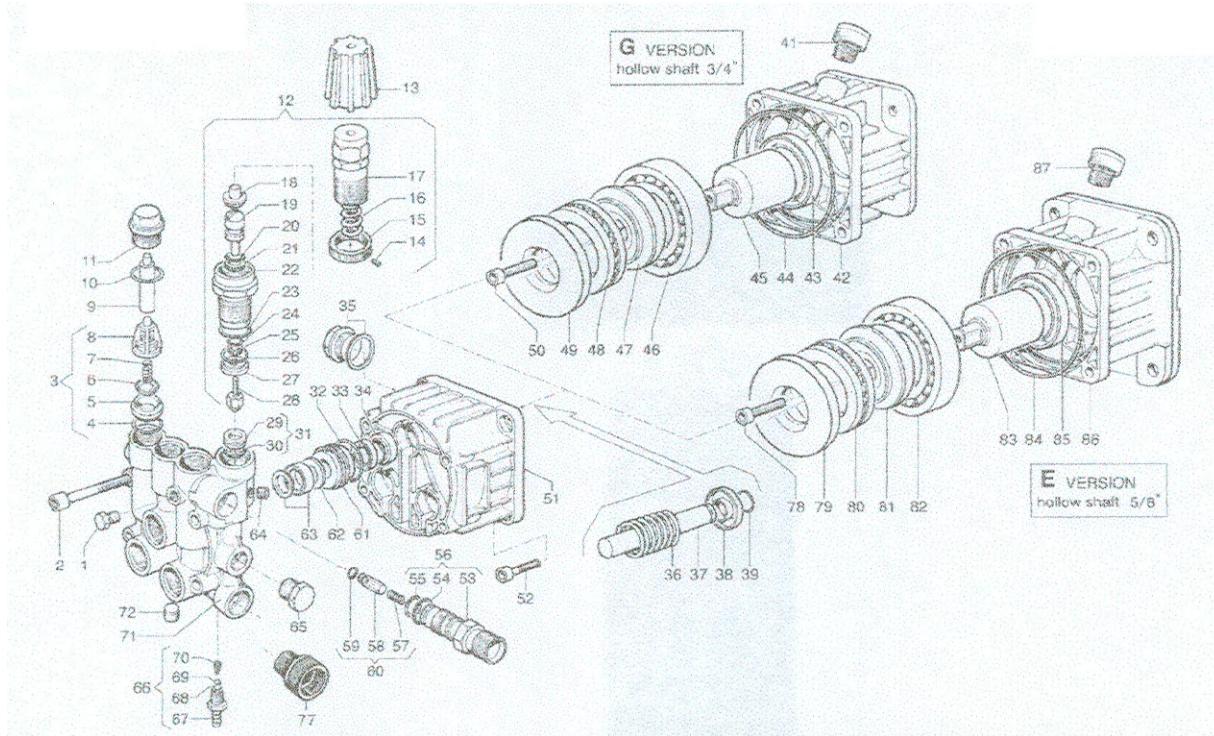


## HOSE & SPRAY GUN ASSEMBLY PARTS LIST

ITEM	PART NO.	DESCRIPTION	QTY
1	9.802-166.0	Coupler, 3/8" Female	1
	9.802-100.0	▲ Quick Coupler O-Ring	1
2	8.739-125.0	Hose, 3/8" x 50', Tuff-Flex, 1 Wire	1
3	9.802-223.0	Spray Gun, Shut-Off	1
4	9.802-220.0	Wand, Straight	1
5	9.802-164.0	Coupler, 1/4" Female	1
	9.802-096.0	Quick Coupler O-Ring	1
6	9.802-288.0	Nozzle, 3.0 15° Yellow (401.0)	1
	9.804-624.0	Nozzle, 3.75 15° Yellow (400.0)	1
7	9.802-311.0	Nozzle, Brass Soap	1

▲ Not Shown

## AXD PUMP EXPLODED VIEW



## AXD PUMP EXPLODED VIEW PARTS LIST

ITEM	PART #	DESCRIPTION	KIT	QTY	ITEM	PART #	DESCRIPTION	KIT	QTY
1	89-3202.0018.00	Cap, 1/8"		1	23	89-1210-0407.00	O-Ring	E-F	1
2	89-3609.0156.00	Screw M8x55		4	24	89-1210.0405.00	O-Ring	E-F	1
3	89-1220.0045.00	Valve Kit		6	25	89-0009.0205.00	Ring	E-F	1
4	89-1210.0049.00	O-Ring, 1.78 x 12.42 A-D		6	26	89-1210.0404.00	O-Ring	E-F	1
5	89-3009.0129.00	Valve Seat	A	6	27	89-0009.0204.00	Ring	E-F	1
6	89-3604.0028.00	SUC/DEL Valve	A	6	28	89-3002-0508.00	Housing with Ball	E-F	1
7	89-1802.0192.00	Spring	A	6	29	89-3009.0122.00	Seat	E-F	1
8	89-1206.0033.00	Valve Cage	A	6	30	89-1210.0403.00	O-Ring	E-F	1
9	89-0601.0273.00	Spacer		2	31	89-3009.0013.00	Valve Seat		1
10	89-1210.0151.00	O-Ring, 1.78 x 17.77 A-D		6	32	89-1210-0356.00	O-Ring, 1.78 x 25.12 B-D		3
11	89-3202.0236.00	Plug		6	33	89-1241.0050.00	Piston Seal Ø14	B	3
12	89-1215-0271.00	Reg Val Kit for AX 180 Bar		1	34	89-0019.0103.00	Sealing Ring	D	3
13	89-1817.0053.00	Knob		1	35	89-3201.0018.00	Oil Level Plug		1
14	89-3622.0030.00	Stop, Adjustable Nut, M4x4	E	1	36	89-1802-0153.00	Spring		3
15	89-1227.0022.00	Nut	E	1	37	89-2409.0089.00	Piston	C	3
16	89-1802-0182.00	Spring,	E	1	38	89-0009.0221.00	Ring	C	3
17	89-0204.0046.00	Adjustable Knob	E	1	39	89-0009.0220.00	Ring Ø14	C	3
18	89-0009.0207.00	Seat	E	1	51	89-0403.0135.00	Pump Crankcase		1
19	89-2409.0077.00	Piston Rod	E-F	1	52	89-3609.0005.00	Screw M8x20		4
20	89-1210.0406.00	O-Ring	E-F	1	53	89-3410.0295.00	Injector Body M22 x 1.5	E	1
21	89-0009.0206.00	Ring	E-F	1		89-3410.0298.00	Injector Body, 3/8 NPT	E	1
22	89-0204-0045.00	Housing	E	1	54	89-1210.0049.00	O-Ring 1.78 x 12.42 D-E-F		1
					55	89-1210.0040.00	O-Ring, 1.78 x 15.6	E-F	1



## AXD PUMP EXPLODED VIEW PARTS LIST

ITEM	PART NO.	DESCRIPTION	KIT	QTY
56	89-3410.0302.00	Injector Body Kit M22x 1.5		1
	89-3410.0303.00	Injector Body Kit 3/8 NPT		1
57	89-1802.0197.00	Spring	E	1
58	89-2409.0086.00	Check Valve	E	1
59	89-1210.0397.00	O-Ring	E-F	1
60	89-2409.0091.00	Check Valve Kit		1
61	89-0009.0219.00	Ring		3
62	89-0009.0230.00	Ring	B	3
63	89-1241.0055.00	Piston Seal 150 Bar (2520G, 3020G, 3522G)	B	3
	89-1241.0056.00	Piston Seal 180 Bar (3025G)	B	3
64	89-3200.0017.00	Plug 1/8 x 8		1
65	89-3200.0007.00	Plug 3/8 Gas OT58		1
66	89-2803.0435.00	Injector Kit		1
67	89-2003.0425.00	Hose Barb Fitting		1
68	89-2812.0067.00	O-Ring		1
69	89-3003.0026.00	Ball		1
70	89-1802.0180.00	Spring		1
71	89-3218.0299.00	Pump Valve Chamber		1
72	89-3200.0017.00	Plug 1/8 x 8		1
77	89-2800.0081.00	Garden Hose Tail		1

<b>Kit A</b>	89-5025.0014.00	Complete Valve Kit
<b>Kit B</b>	89-5019.0077.00	Piston Seal Kit, 150 Bar
	89-5019.0078.00	Piston Seal Kit, 180 Bar
<b>Kit C</b>	89-2409.0092.00	Piston Kit
<b>Kit D</b>	89-5019.0079.00	Seal Kit
<b>Kit E</b>	89-5026.0142.00	Overhaul Kit, M22 x 1.5
	89-5026.0143.00	Overhaul Kit, 3/8" NPT
<b>Kit F</b>	89-5026.0144.00	Maintenance Kit

**LIMITED NEW PRODUCT  
WARRANTY—COMMERCIAL  
PRESSURE WASHERS**



Phone: 360-833-1600  
Fax: 800-248-8409  
www.karchercommercial.us

**WHAT THIS WARRANTY COVERS**

All Kärcher commercial pressure washers are warranted by Kärcher to the original purchaser to be free from defects in materials and workmanship under normal use, for the periods specified below. This Limited Warranty, subject to the exclusions shown below, is calculated from the date of the original purchase, and applies to the original components only. Any parts replaced under this warranty will assume the remainder of the pressure washer's warranty period.

**FIVE YEAR PARTS AND ONE YEAR LABOR WARRANTY**

Components manufactured by Kärcher, such as frames, handles, float tanks, fuel tanks, belt guards, and heating coils. Internal components on the oil-end of Kärcher axial pumps have a 5 year warranty. Period of warranty on axial pumps shall be one year. Kärcher crankshaft pumps have a 7 year warranty on non-wear parts. Heating coils are pro-rated at 25% after 2 years. Stainless steel coils have a 10 year warranty.

**ONE YEAR PARTS AND ONE YEAR LABOR WARRANTY**

All other components, excluding normal wear items as described below, will be warranted for one year on parts and labor. Parts and labor warranty on these parts will be for one year regardless of the duration of the original component manufacturer's part warranty.

**WARRANTY PROVIDED BY OTHER MANUFACTURERS**

Motors, generators, and engines, which are warranted by their respective manufacturers, are serviced through these manufacturers' local authorized service centers. Kärcher is not authorized and has no responsibility to provide warranty service for such components. Motors manufactured outside of the United States will be warranted by Kärcher.

**WHAT THIS WARRANTY DOES NOT COVER**

This warranty does not cover the following items:

1. Normal wear items, such as nozzles, spray guns, discharge hoses, wands, quick couplers, seals, filters, gaskets, O-rings, packings, pistons, pump valve assemblies, strainers, belts, brushes, rupture disks, fuses, pump protectors.
2. Any components or other devices incorporated into a Kärcher product that are not manufactured by Kärcher, including, but not limited to gasoline engines, pumps, etc.
3. Defects caused by improper or negligent operation or installation, accident, abuse, misuse, neglect, unauthorized modifications, repair or maintenance of the product by persons other than authorized representatives of Kärcher, including, but not limited to, the failure of the Customer to comply with recommended product maintenance schedules.
4. Kärcher products that have been returned by the original Customer and are ultimately re-sold by an Authorized Servicing Dealer or other sales or service outlet to another purchaser.
5. Kärcher products that are sold by any distributor or retailer that is not an official authorized dealer or retailer of Kärcher products.
6. Defects caused by acts of nature and disaster including, but not limited to, floods, fires, wind, freezing, earthquakes, tornadoes, hurricanes and lightning strikes.
7. Defects caused by water sediments, rust corrosion, thermal expansion, scale deposits or a contaminated water supply (such as water in the unit with chloride content higher than that of 80 mg/liter or use of chemicals not approved or recommended by Kärcher).
8. Defects caused by improper voltage, voltage spikes or power transients in the electrical supply.
9. Devices or accessories not distributed or approved by Kärcher.
10. Any cost of labor arising from the removal and reinstallation of the alleged defective part by Customer.
11. Transportation of the product to an Authorized Servicing Dealer, field labor, replacement rental and any freight charges.

Any components, accessories or other devices provided with the product but not manufactured by Kärcher (such as engines, pumps, etc.) are subject to warranties and service through their respective manufacturers authorized service centers and according to the applicable terms and conditions of such manufacturers warranties. Such components or other devices not manufactured by Kärcher should be referred by the Customer to an authorized service center or their respective manufacturers for repair or replacement.

THE FOREGOING WARRANTY IS IN LIEU OF ALL OTHER WARRANTIES OF ANY KIND, WHETHER ARISING BY LAW, CUSTOM OR CONDUCT. KÄRCHER MAKES NO ADDITIONAL WARRANTIES, EITHER EXPRESSED OR IMPLIED, INCLUDING, WITHOUT LIMITATION, ANY EXPRESSED OR IMPLIED WARRANTIES OF MERCHANTABILITY OR FITNESS OF EQUIPMENT FOR A PARTICULAR PURPOSE AND ANY SUCH WARRANTIES ARE EXPRESSLY DISCLAIMED. KÄRCHER FURTHER DISCLAIMS ANY WARRANTY THAT THE PRODUCT PURCHASED BY CUSTOMER WILL MEET ANY PARTICULAR REQUIREMENT OF CUSTOMER EVEN IF KÄRCHER HAS BEEN ADVISED OF SUCH REQUIREMENT.

THE RIGHTS AND REMEDIES PROVIDED UNDER THIS WARRANTY ARE EXCLUSIVE AND IN LIEU OF ANY OTHER RIGHTS OR REMEDIES OF CUSTOMER. KÄRCHER SHALL NOT UNDER ANY CIRCUMSTANCES BE LIABLE TO ANY PERSON OR ENTITY INCLUDING, BUT NOT LIMITED TO, THE CUSTOMER OR ANY END USER OF THE PRODUCT FOR ANY SPECIAL, INDIRECT, INCIDENTAL OR CONSEQUENTIAL DAMAGES OR ECONOMIC LOSS, LOSS OF PROFITS OR LOSS OF USE OF THE PRODUCT, ARISING IN CONNECTION WITH THE SALE, DELIVERY, INSTALLATION, TRAINING OR USE OF PRODUCT. KÄRCHER'S LIABILITY, WHETHER IN CONTRACT OR IN TORT, ARISING OUT OF ANY WARRANTIES OR REPRESENTATIONS, INSTRUCTIONS OR DEFECTS FROM ANY CAUSE, SHALL BE LIMITED EXCLUSIVELY TO THE COST OF REPAIR OR REPLACEMENT PARTS UNDER AFORESAID CONDITIONS.

The purpose of the foregoing limitations on liability and Customer remedies is to protect Kärcher from unknown or undeterminable risks. Some states do not allow the exclusion or limitation of incidental or consequential damages, so the above limitation or exclusion may not apply to the Customer.

Kärcher sales and service representatives are not authorized to waive or alter the terms of this warranty, or to increase the obligations of Kärcher under the warranty.

Kärcher reserves the right to make design changes in any of its products without prior notification to the Customer.