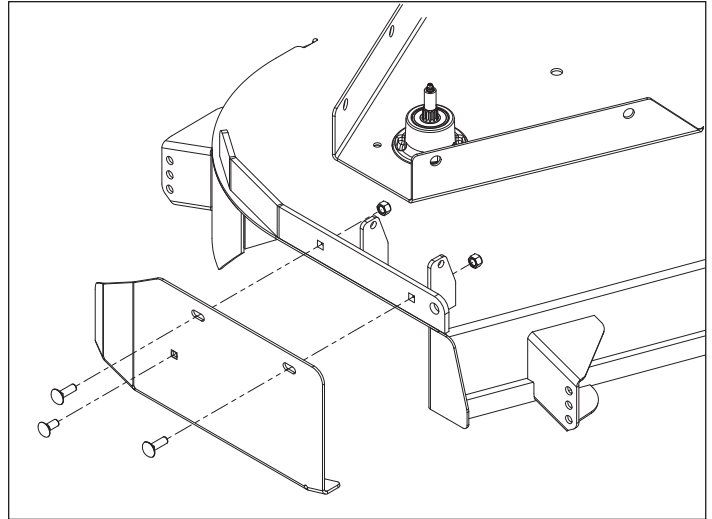


INSTALLATION INSTRUCTIONS

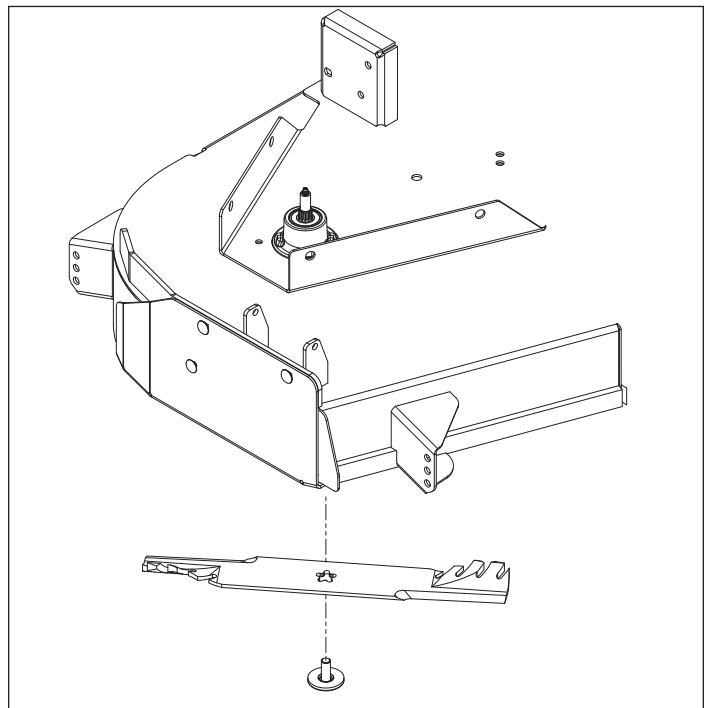
52" MULCH KIT - 966 515201

IMPORTANT: BEFORE PROCEEDING, PLACE ALL CONTROLS IN THE *DISENGAGED* OR *OFF* POSITION, REMOVE SPARK PLUG WIRES FROM THE SPARK PLUGS AND REMOVE IGNITION KEY.

1. Block the front of the mower up to give access to the underside of the front deck. Remove the discharge chute assembly by removing hardware on the bracket top. Set the assembly and hardware aside for reinstallation when the mulch kit is not being used.
2. Carefully remove the cutting blades, retaining the blade bolts for reuse. Clean any grass out from underneath the deck.
3. Set the left hand baffle in place and secure it to deck with nuts and bolts as shown. Attach right hand baffle with the same procedure.
4. Fasten the mulch cap to the deck and baffle.



5. Install the kit mulching blades using the existing blade bolts (torque to 90 ft./lbs.).
6. Rotate the blades by hand and check for clearance of all baffles.
7. Make sure all hardware is tight.
8. Remove blocks and return the mower to its normal position.

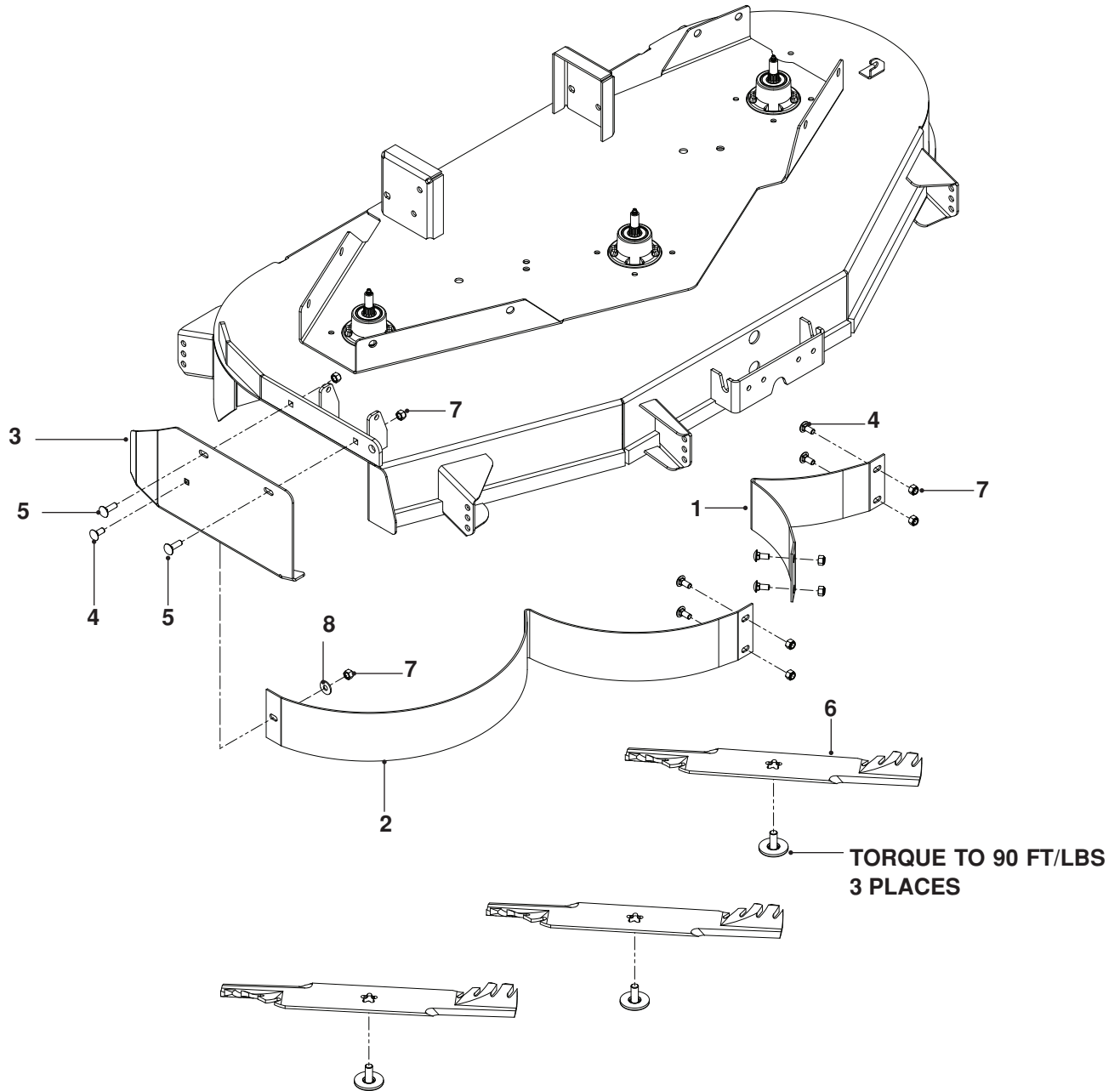


WARNING!

Blades are sharp. Protect your hands with gloves and/or wrap blades with a heavy cloth when handling.



PARTS LIST



ITEM	PART NO.	QTY.	DESCRIPTION
1..	575 228502....	1....	BAFFLE, MULCH LH
2..	575 228302....	1....	BAFFLE, MULCH RH
3..	539 112344....	1....	CAP, MULCH
4..	539 990316....	7....	RHSNB ⁵ / ₁₆ -18 x ³ / ₄ GR 5

ITEM	PART NO.	QTY.	DESCRIPTION
5..	539 990208....	2....	RHSNB ⁵ / ₁₆ -18 X 1 GR 5
6..	575 240701....	3....	BLADE, 17.75"
7..	539 990717....	9....	NUT ⁵ / ₁₆ -18 HEX NYLOC
8..	539 990692....	1....	WASHER ⁵ / ₁₆