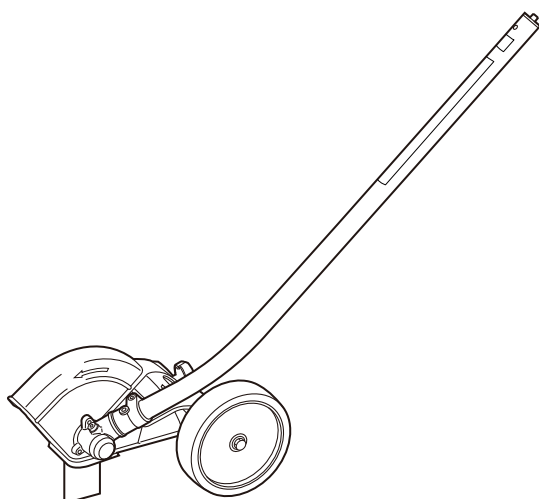


Edger Attachment

SSET

Instruction Manual



SSET

For Safe Use of Edger Attachment

- Be sure to read this manual and the powerhead (separately sold) manual to have a good understanding of the contents before handling the edger.
- If there is no powerhead manual, you can purchase one from your servicing dealer.
- Keep this manual and the powerhead manual in a readily accessible location.

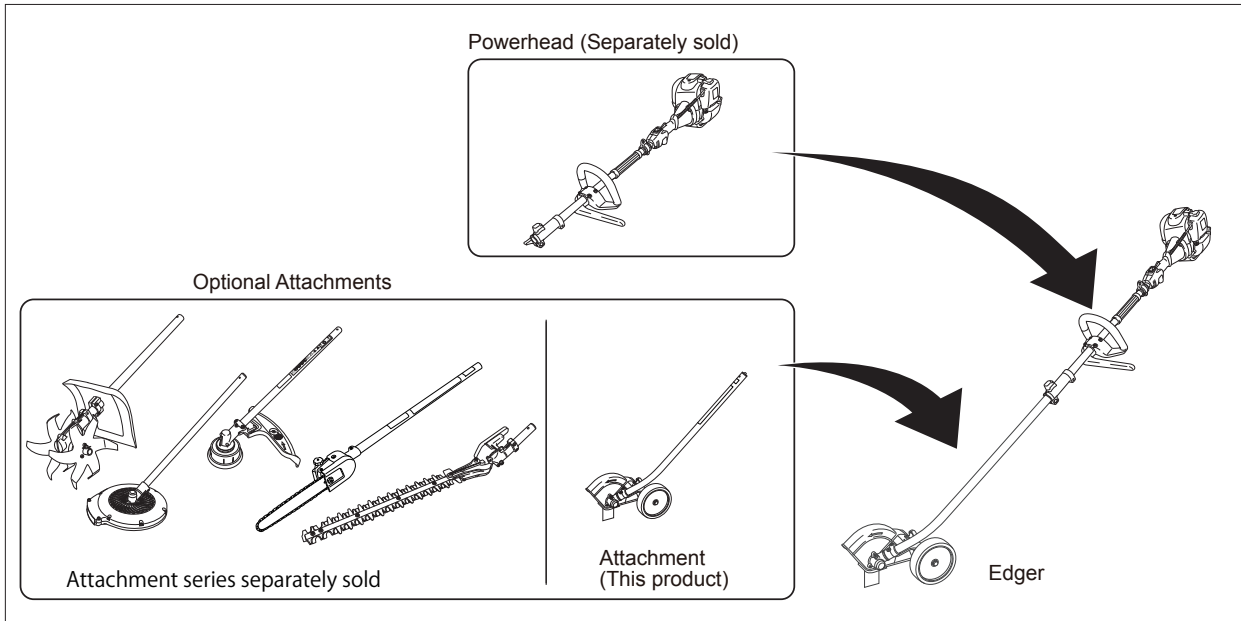
Contents

Important Information	2
1. Safety	4
1.1 Warnings	4
1.2 General Precautions	6
1.3 Safety Devices and Protective Guard	11
1.4 Protective Equipment	12
1.5 Noise	12
1.6 Vibration	12
2. Outline	13
2.1 Name of Parts and Their Functions	13
2.2 Specification	14
2.3 Attached Material	14
2.4 Position of Model and Serial No.	14
2.5 Replaceable Items	15
3. Installation	16
3.1 Installation Method	16
3.2 Installation and Removal of Blade	19
4. Operation	20
4.1 Transporting Method	20
4.2 Pre-operation Check	21
4.3 Start and Stop	22
4.4 Precautions for Operation	23
4.5 Edging Grass	24
4.6 Adjustment of Edging Depth	25
4.7 Actions after Operation	26
5. Maintenance	27
5.1 Daily	28
5.2 Every 20 Hours	28
5.3 As Necessary	29
6. Storing	31
7. Waste Disposal	33
8. Troubleshooting	33
9. Servicing	34
10. Technical data	35
How to Contact Honda	36
Distributor's Limited Warranty	37
PRODUCT REGISTRATION	39

Important Information

Intended Purpose

This product (hereinafter referred to as an attachment) is designed to be attached to an approved powerhead (to be purchased separately) for edging grass. (Refer to page 16 for approved powerheads.) Do not use the edger for any other purpose or in any other way.



General

- Use a genuine blade.
- When handling the edger, observe all the applicable safety rules, standards or regulations in the area where the edger is used.

This edger is designed and produced according to the standards and regulations applied in the purchase country, assuming that the use is limited to the purchase country only. It will not comply with standards and regulations of other countries. Do not export or resell the edgers to any other countries because the languages are different.

- Before use, read this instruction manual and the powerhead manual thoroughly, and have a good understanding of the contents. Do not allow any person who does not understand the contents of this manual to handle the edger.
- Do not take any actions other than those described in this manual and the powerhead manual.

Important Cautions for Safe Work

- NIKKARI Co., Ltd. (hereinafter referred to as NIKKARI) cannot foresee all the risks in handling the edger. Therefore, also give consideration to general safety measures not stated in this manual and powerhead manual to prevent injuries when handling the edger.
- The edger is a high-speed edging tool. To decrease risk of personal injury, special safety precautions must be observed. If it is used carelessly or inappropriately, the blade could make contact with hands or body, resulting in a fatal or serious injury such as amputation of hands or fingers.

Important Cautions for Instruction Manual

- This instruction manual is copyrighted and all rights are reserved. This instruction manual, in whole or part, may not be copied, translated or reproduced to any electronic medium or machine readable without prior written consent from NIKKARI.
- The contents described in this instruction manual and powerhead manual are subject to change without prior notice.
- Illustrations or figures shown in this instruction manual may partially differ from your edger.
- If you lend or rent the edger, be sure to provide the user with this manual and the powerhead instruction manual. Also, advise the user that they need to have a good understanding of the content of both manuals before starting any work.
- If this instruction manual or powerhead manual is lost or damaged, order a replacement from your servicing dealer immediately.
- If you have any questions about descriptions in this manual or powerhead manual, contact your servicing dealer.
- The names of companies and products described in this manual are generally trademarks or registered trademarks of each company.

1. Safety

California Proposition 65

This product contains or emits chemicals known to the State of California to cause cancer, birth defects, or other reproductive harm.





1.1 Warnings

For appropriate use of the edger, follow the instructions in this manual. Warning labels are attached to places where there are potential risks. The warning labels in this instruction manual are categorized depending on the degree of risk as shown in the table below.




1.1.1 Warning Description

Signal words in this instruction manual are categorized as shown below. If the warning for each signal word is ignored, injury or death may result.

■ Meanings of signal words

 DANGER	Indicates an immediately hazardous situation which, if not avoided, will result in death or serious injury.
 WARNING	Indicates a potentially hazardous situation which, if not avoided, could result in death or serious injury.
 CAUTION	Indicates a potentially hazardous situation which, if not avoided, could result in mild to moderate injury.
 Note	It could result in property damage. Indicates to emphasize important information or provide helpful information.

■ Meanings of symbols

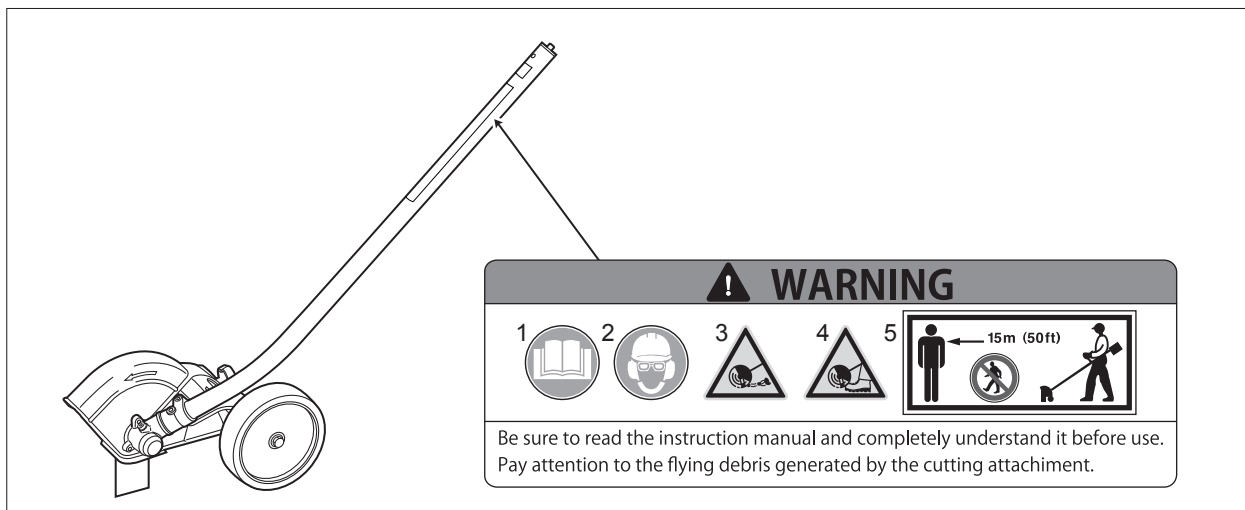
	Caution Sign	Indicates that hazardous situation may result if you fail to follow the instructions. The hazards are indicated by the pictogram inside the symbol.
	Prohibition Sign	Indicates prohibition of dangerous action. Prohibited actions are indicated by the pictogram inside or by the symbol.
	Enforcement Sign	Indicates enforcement of actions. Actions to be enforced are indicated by the pictogram inside the symbol. This action is required to avoid hazard.

1.1.2 Warning Labels

■ Cautions for Handling

- (a) This edger is provided with warning labels to indicate important cautions. Understand the meanings of the warning labels thoroughly to work in a safe environment.
- (b) Do not operate the edger until you have a good understanding of the meanings of the warning labels. If you do not understand the meanings, contact your servicing dealer.
- (c) Be sure to observe the warning labels and warning messages in the instruction manual at all times while handling the edger.
- (d) Do not remove or damage the warning labels. Also, do not clean the warning labels with solvent.
- (e) Do not paint the warning labels when repainting the edger.
- (f) If the warning labels become illegible, damaged or removed, purchase new ones from your servicing dealer, and attach them in accordance with the "■ Warning Labels and Attached Locations".

■ Warning Labels and Attached Locations



1	Be sure to read the instruction manual and completely understand it before use.
2	Wear personal protective equipment for eyes, ears, and head during operation.
3	Remove stones , wires or wastes materials so as not to get injured by scattering of such object.
4	Take care not to get injured by the edging attachment or scattered objects.
5	Keep people and animals out of the area within a radius of 50 ft (15 m) from the edger during operation.

1.2 General Precautions

1.2.1 Overall Precautions

When handling the edger, follow the precautions of the powerhead manual in addition to the following precautions.

DANGER



Do not use for cutting branches etc.

Do not use the edger when tired, ill, or after consuming alcohol, drugs, or medication.

Do not use the edger with the blade guard or the protection rubber removed.

* It could cause a serious injury as a result of flying debris, etc.



Be sure to firmly tighten the knob bolt at the attachment connection before using the attachment.

* The attachment could come off, resulting in serious injury or death.

WARNING



Do not use the edger for any purpose other than edging grass.

Do not allow minors to operate the edger.

Do not modify the edger.

Do not install any unapproved powerhead to the attachment.

Do not remove the safety devices.

Do not touch the blade during operation.



If you lend or rent the edger, be sure to provide the user with this manual and the powerhead instruction manual. Also, advise the user that he or she needs to have a good understanding of the content of both manuals before starting any work.

Always shut off the engine and remove the edger from the powerhead before handling the blade.

1.2.2 Precautions for Clothing

WARNING



Wear a hard hat when using or transporting the edger.

Wear appropriate personal protective equipment when using the edger.

For details about protective clothing refer to “1.4 Protective Equipment”.

⚠ WARNING



Wear goggles meeting the requirements of ANSI Z87.1 when using the edger. Also use a face shield (or face screen) if possible.

* Failure to use goggles or face shield, could result in eye injury from flying debris.

Wear hearing protective equipment such as ear protections when using the edger.

1.2.3 Precautions before Operation

⚠ WARNING



Do not allow children or animals to enter the working range of the edger within 50 ft (15 m).

Do not operate the edger near electrical wires.

* Otherwise, you may suffer an electric shock.



Make sure that the edger is operated normally or there is not any part missing or damaged before starting the operation.

If the protection rubber is worn, broken or damaged, etc., replace with a new one.

* If the protection rubber is faulty, it will not function appropriately, resulting in serious injury.

Before/after the edging work, make sure that the knob bolt for adjusting the height of the wheel is tightened.

Before checking the height of the wheel, turn off the engine, and remove the edger attachment from the powerhead.

* Otherwise, the knob bolt can become loose during use, which could cause the height of the wheel to be changed suddenly, resulting in injury.

Before starting the operation or when hitting the edger against something hard such as stones, make sure that the knob bolt of powerhead connections is not loosened.

* Otherwise, it could cause the attachment to fall off.

Make sure that the positioning knob is lowered to the locked position when installing the edger. (Refer to page 17.)

* The attachment could come off.

Before use, always inspect the powerhead and attachment for any loose, damaged or missing parts.

* Anything loose, damaged, or missing could cause parts of the powerhead attachment to fall off or fail and seriously injure or kill the user.

⚠ WARNING



Before using edger, inspect the work area for any obstacles that cannot be removed so you can avoid contacting them when operating the edger.

* Otherwise, you may trip on the obstacle or unintentionally hit it with the blade, potentially resulting in serious injury or death.

►► Note

- If the edge of the blade is blunt or damaged, do not operate the edger. Otherwise, it could cause damage to the engine and machine due to overloading.

1.2.4 Precautions at Start-up

⚠ WARNING



The edger must only be started and operated by one person.

* Operation by more than one person increases the likelihood of mishandling and resulting injury.

⚠ CAUTION



Always start the edger in an open, flat area with the edger off the ground.

* Otherwise, you risk injury from falling or hitting the edger blade on the ground or obstacles.

1.2.5 Precautions for Operation

⚠ DANGER



Do not operate the edger on insecure footings including a ladder, tree, back of the truck.

* You could fall off the footing, drop the edger or contact the blade by inappropriately handling it, resulting in serious injury or death.



Make sure that the wheel is touching the ground before starting the work.

* Otherwise, small stones, etc. will scatter or edger will be out of control, resulting in injury.

⚠ WARNING



Do not operate the edger using just one hand.

* You could drop the edger or contact the blade by mishandling, potentially leading to serious injury or death.

If the blade starts moving while idling, do not use the edger.

WARNING



Do not run when edging grass.

Walk slowly.

* It could cause you to fall down or lose your balance, resulting in unexpected injury.



Exhaust contains carbon monoxide, a clear, odorless gas that can injure or kill you. Only use in well ventilated locations.

Always keep the edger head at or below ankle height.

* Using the edger with the head higher than ankle height increases the risk of mishandling or loss of balance, potentially resulting in serious injury or death.

Always concentrate on your work when using the edger.

If you need to do other work or talk to others, stop the engine first.

* Failure to properly concentrate could result in mishandling and resultant injury.

Always use the harness when operating the edger.

* Failure to use the harness increases the likelihood of mishandling and resultant injury.

If the edger head becomes entangled and stops, stop the engine and make sure the edger blade is not moving before untangling the edger head.

* Failure to fully stop the engine and edger blade could result in cuts to or amputation of fingers, hands or arms.

CAUTION



Do not touch hot surfaces such as the gear case during or immediately after the operation.

* Failure to observe the instruction could result in burns because the gear case could be very hot.

►► Note

- Be sure to use blades and the other parts specified by the manufacturer. If any blade other than that specified is used, the blade could be damaged or it could come off, resulting in injury of the operator and/or bystanders.

1.2.6 Precautions for Maintenance

DANGER



Do not grind the blade. Replace with a new blade.

* Otherwise, the blade could break, resulting in injury.

When replacing the worn or broken blade, replace the blade cap and the blade mounting bolt together as a set.

* Otherwise, you will lose your control, causing the blade to come off or edger to become faulty.

WARNING



Do not replace parts with inappropriate parts.

* Failure to observe the instruction could cause the product not to perform as intended and cause injury due to deterioration of safety.



Before performing maintenance, repair or cleaning, stop the engine and remove the attachment from the powerhead.

* If the engine starts during the work, hands or fingers could be severed by the moving parts or blade, resulting in serious injury or death.

►► Note

- Do not perform any maintenance or repair other than those described in the instruction manual. Other maintenance or repairs should be performed by your servicing dealer.
- Use a specified grease (general purpose No. 2 lithium grease). Also referred to as NLGI Grade-2 Lithium Based Grease. Using the wrong grease can lead to damage or failure.

1.2.7 Precautions for Transporting

WARNING



Before transporting the edger, stop the engine, and ensure the blade has stopped.

►► Note

- When transporting the edger, install it to a harness or keep it balanced by holding the shaft tube.
- Before transporting the edger on the back of the truck, etc., remove the attachment from the powerhead, and then secure it so it does not move.

1.2.8 Precautions for Storing

CAUTION



When storing the attachment with the hook of the pipe cap attached to the pipe, etc., do not pull or swing the attachment.



When storing the edger attachment, remove the blade and place it out of the reach of children.

1.3 Safety Devices and Protective Guard

1.3.1 Safety Devices (Stop Devices)

To stop the edger in case of an abnormality, use the stop device on the powerhead to stop blade rotation.

Refer to the powerhead manual for details.

1.3.2 Safety Devices (Quick Release)

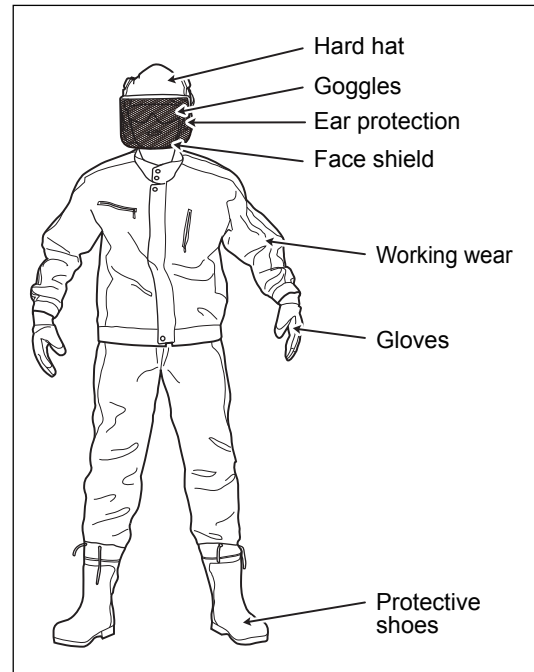
In case of an abnormality, the edger can be released from the harness by using the quick release device.

Refer to the powerhead manual for details.

1.4 Protective Equipment

When using the edger for edging, it is recommended to wear the following protective equipment.

- (a) Hard hat
- (b) Working wear (long sleeve jackets and full-length pants of heavy material)
- (c) Protective shoes (sturdy boots with nonslip sole)
(Steel-toed safety boots are recommended.)
Leg protector
- (d) Gloves (heavy-duty, nonslip gloves)
- (e) Goggles that meet the requirements of ANSI Z87.1.
- (f) Face shield (or face screen) (use together with goggles is recommended)
- (g) Ear protection



►► Note

- Do not wear any jewelry, neckties or scarves.
- Secure hair so it is above shoulder level.
- If the jackets or pants are loose, tighten the cuffs or hems.
- Do not wear short pants, sandals, or go barefoot.

1.5 Noise

A person operating the edger must use ear protection equipment.

However, take care when wearing the ear protection equipment. Your ability to hear shouts or alarms is restricted.

1.6 Vibration

Vibration generated by the edger may cause vibration induced Hand-Arm Vibration Syndrome (HAVS). This will cause swelling pain or numbness of hands, and there is a risk of affecting the hand.

To prevent such problems, do not continuously operate for a long time. Instead, take an appropriate break.

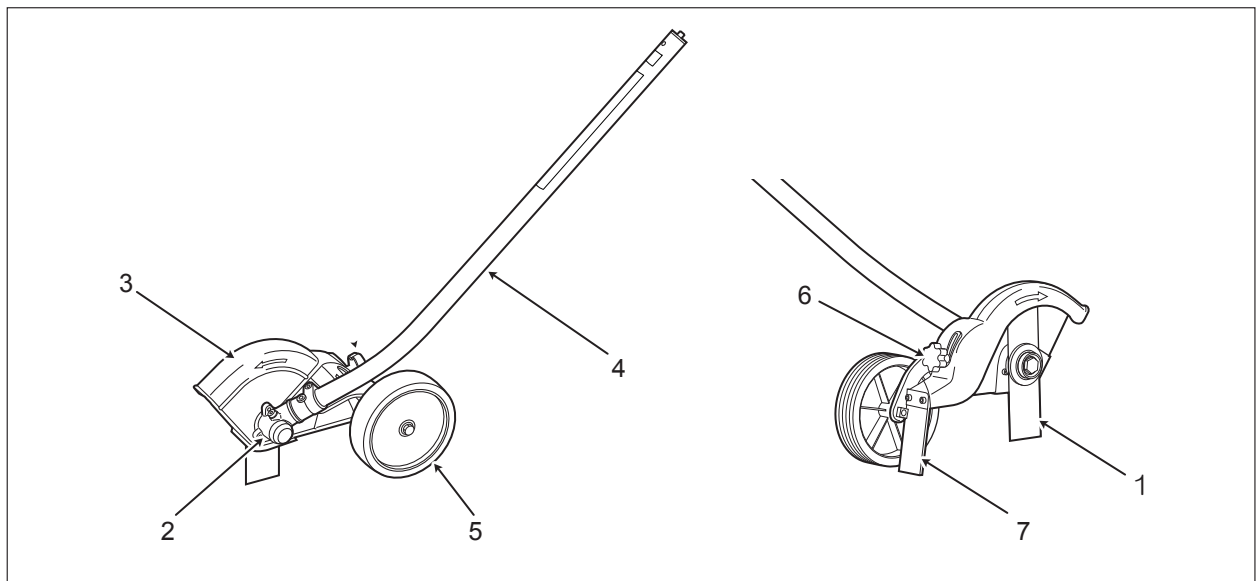
2. Outline

2.1 Name of Parts and Their Functions

The edger is a device with the attachment installed to the powerhead (separately sold). The following is the structure of the attachment and name and function of each part.

►► Note

- There are two types of powerheads. For details about the powerhead, refer to the powerhead manual.



No.	Name	Description
1	Blade	Rotates at high speed for edging grasses.
2	Gear case	Changes rotational angle from the powerhead to the cutting head.
3	Blade guard	Guards from objects such as grasses, stones and sand scattered by the blade.
4	Shaft tube	It is the main frame. The power transmission shaft (flexible shaft) is inside this tube.
5	Wheel	It rolls on the ground while working for support. It is also used to adjust the height.
6	Height adjustment knob	It is the knob to adjust the height of the wheel.
7	Protection rubber	Protects from grasses, weeds, stones, sand, etc. scattered by the blade.

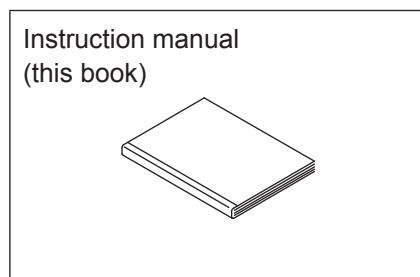
2.2 Specification

■ Standard Specification

Item	Specification
Weight	4.1 lb (1.9 kg)
Length	27.5 in (700 mm)
Blade length	7.87 in (200 mm)

2.3 Attached Material

The following are attached materials. For the powerhead, refer to the powerhead manual.

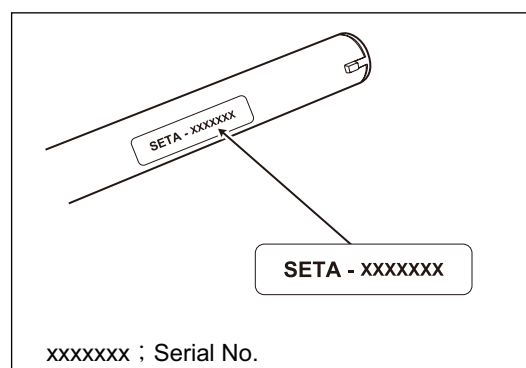


2.4 Position of Model and Serial No.

Check the model code of your attachment on the nameplate attached to the machine shaft. Record serial No. (See “9. Servicing”). You will need this model code and serial No. when ordering parts, and when making technical or warranty inquiries.



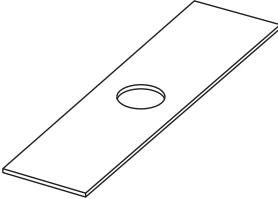
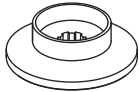
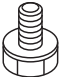

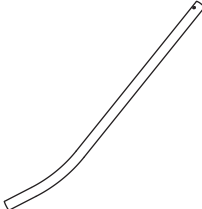
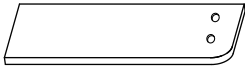
▶▶Note

- The model code is 4 letters.
The model code is different from the model name.



2.5 Replaceable Items

The following are some common replaceable items for this attachment.
Contact your servicing dealer for replacement parts.

<p>Cap</p> 	<p>Blade guard</p> 	<p>Blade</p> 	<p>Blade cap</p> 
<p>Blade mounting bolt</p> 	<p>Flexible shaft</p> 	<p>Pipe compl</p> 	<p>Protection rubber</p> 

3. Installation

3.1 Installation Method

 **WARNING**



Before installing or removing any attachment or part, stop the engine and, if attached, let the edger blade come to a complete stop.

* If the engine starts during the work, hands or fingers could be severed by the moving parts or blade.

3.1.1 Combination with Powerhead

 **WARNING**



Do not install any unapproved powerhead to the attachment.

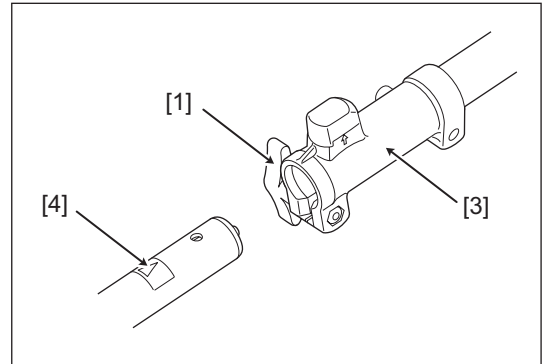
* The attachment could separate from the powerhead, causing severe injury.

The attachment can be installed only to our approved equipment (shown below).

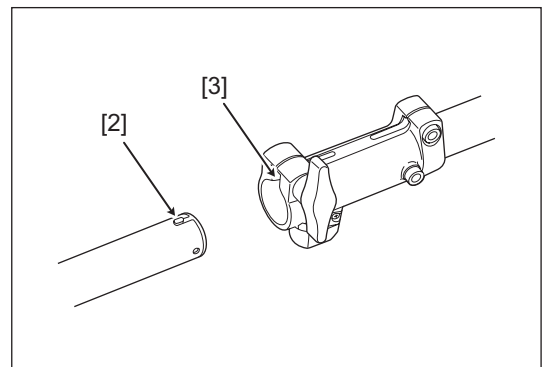
Manufacturer	Approved Powerheads
Honda Motor Co., Ltd.	UMC425A
Honda Motor Co., Ltd.	UMC435A

3.1.2 Connecting

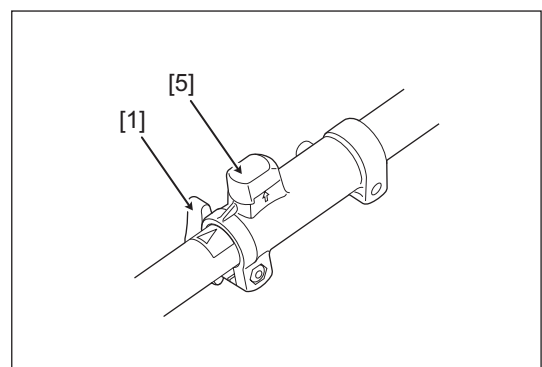
- 1** Loosen the knob bolt [1] of powerhead connections.



- 2** Align the boss (protrusion) [2] at the end of the pipe with the slit of the joint case [3], and insert it to the label [4] position.

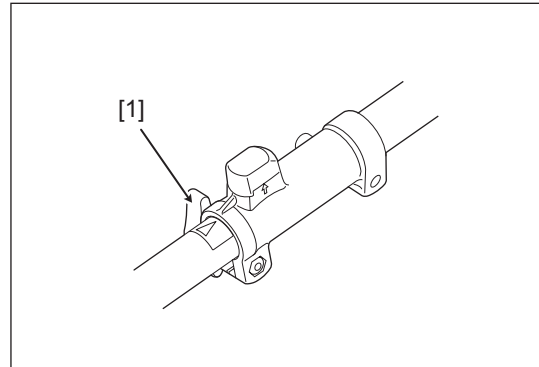


- 3** Make sure that the positioning knob [5] is lowered to the locked position as shown, and then tighten the knob bolt [1] of the powerhead connections.

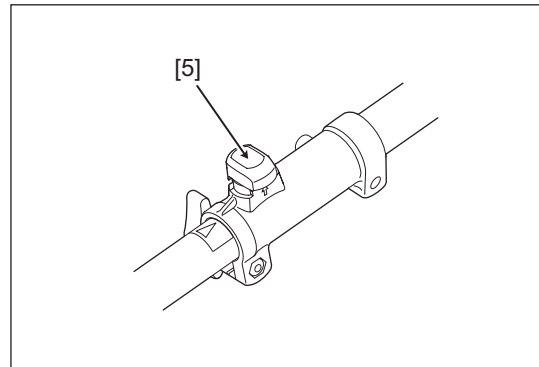


3.1.3 Removing

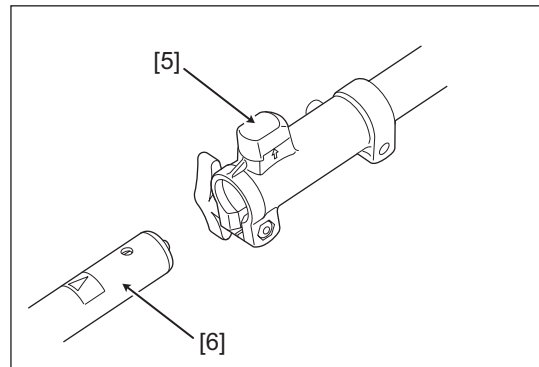
- 1** Loosen the knob bolt [1] of powerhead connections.



- 2** Lift the positioning knob [5], and turn it 90°, either clockwise or counterclockwise.



- 3** Pull out the shaft tube [6].
If the shaft tube is hard to remove, hold it so that the attachment is parallel to the pipe of the powerhead, and then pull it out.



- 4** Turn the positioning knob [5] until it comes to the center and locks in place. When the positioning knob [5] is returned to the center, it will be released downward.

3.2 Installation and Removal of Blade

Thoroughly read “1.2 General Precautions” before installing and removing the blade.

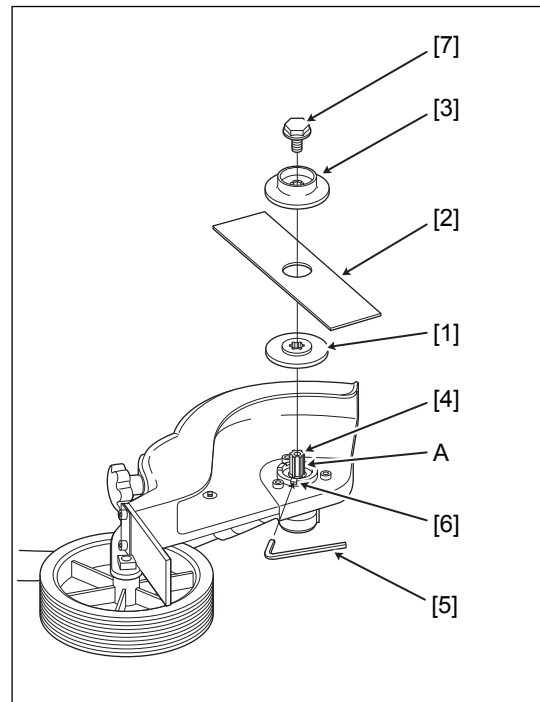
3.2.1 Installation of Blade

- 1** Put on gloves.
- 2** Put the blade guard [1], the blade [2] and the blade cap [3] on the output shaft [4].
- 3** Insert the L type wrench [5] into the groove [6] for fixing gear case and rotate the blade mounting bolt [7] counterclockwise to tighten.

Blade mounting bolt tightening torque:
16.7 to 19.6 Nm

►► Note

- The directions for loosening/tightening the blade mounting bolt [7] are opposite to the ones of general nuts.



3.2.2 Removal of Blade

Wear gloves, and remove the blade in the opposite way of the installation of the blade.

4. Operation

4.1 Transporting Method

⚠ WARNING



When transporting the edger, wear appropriate clothes and personal protective equipment.

* Otherwise, it could cause injury.

Before transporting the edger, stop the engine, and ensure the blade has stopped.

Remove obstacles, and watch your step when transporting the edger.

* If the footing is insecure, an injury due to tripping over or falling could happen.

▶▶ Note

- When transporting the edger, install it to a harness or keep it balanced by holding the shaft tube.
- Before transporting the edger on the back of the truck, etc., remove the attachment from the powerhead, and then secure it so it does not move.

1 Wear protective equipment. For detail about the protective equipment, refer to "1.4 Protective Equipment".

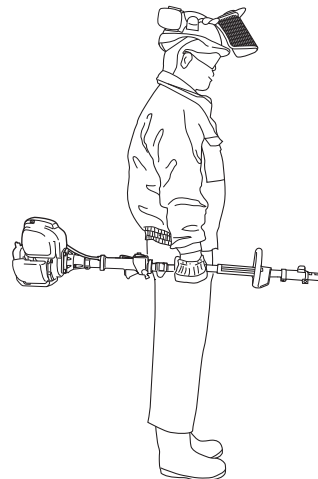
2 Make sure that the engine is stopped and the blade is not moving.

3 <When hand-carrying the edger>
Install it to the harness or use the shaft tube to maintain balance.

<When transporting by truck, etc.>

- (1) Remove the attachment from the powerhead.
- (2) Put the edger on the back of the truck, and secure it.

When hand-carrying the edger



4.2 Pre-operation Check

WARNING



Make sure that the edger is operated normally or there is not any part missing or damaged before starting the operation.

Before operating the edger, check the following.

- (a) If any part is damaged or worn out, replace before using. Contact your service dealer for a replacement part.
 - Check to see if there is any looseness, cracks, bending, or distortion of parts (nuts, screws, etc.)
 - Check to see if the blade is damaged.
 - Check to see if the knob bolt of powerhead connections is loosened.
- (b) Check to see if the edger functions normally. If it is faulty, contact your servicing dealer for repair.
 - Check to see if the throttle trigger is operating freely (if it returns to the idling position).
 - Check to see if the start/stop switch functions normally.
- (c) Check the handle for dirt, etc. If it is dirty, wipe it off.
 - Check to see if it is kept clean (if there is oil or resin adhering.)
 - Be sure it's dry before using.
- (d) Check the idling status. If it is faulty, perform the steps described in the powerhead manual.
 - Check to see if the blade moves during idling.
If it does, stop the engine and contact the servicing dealer for repair.
- (e) Tighten the mounting bolts of the blade.
If there is any looseness, it could result in serious injury.
For tightening the bolts of blade, refer to "3.2 Installation and Removal of Blade".
- (f) Check the blade.
Make sure that there is no break, chip-off, bending, burr, crack, etc.
- (g) Make sure that the wheel rotates smoothly.
If there is any abnormality, clean the wheel according to "5.3.2 Cleaning of wheel".
- (h) In addition to the above, perform the steps described in the powerhead manual.

4.3 Start and Stop

The edger is operated by the powerhead.
Refer to the powerhead manual.

4.3.1 Start

WARNING



The edger must only be started and operated by one person.

* Operation by more than one person increases the likelihood of mishandling and resulting injury.

For starting the edger, refer to the powerhead manual.

4.3.2 Stop

When the throttle trigger is released, the engine power will decrease, and the blade will come to a stop. However, it will not stop immediately after the throttle trigger is released, but instead will continue to turn for a short while (flywheel effect).

Maintain proper control until the blade has come to a complete stop.

Refer to the powerhead manual for details.

4.4 Precautions for Operation

When operating the edger, observe the following as well as “1.2 General Precautions”.

■ General

- The edger is not insulated against electric shock. Have a person qualified for electric work remove wires and cables. If there are still wires or cables not removable, do not operate the edger.
- Do not cut any materials other than grass and shrubs.
- If bystanders and pets are approached during operation, stop the operation immediately. There is a risk of injury to bystanders and pets being hit by blades bounced back in an unexpected direction.
- There is still a risk of injury by thrown object even if bystanders keep a distance of 50 ft (15 m) or more. They should be encouraged to wear eye protection.
- Always stop the engine when leaving the edger.
- Keep the blade from hitting hard materials such as rocks, tree stub and pillars etc.
- Avoid stones and stumps. They could bounce back, or the blade edge and stones, etc. could be scattered, resulting in injury.

■ Check the Edger

- Make sure that the blade guard is securely installed in appropriate position before starting the operation.
- Make sure that an appropriate blade guard is installed.

■ Check the Work Area

- Remove all objects such as rocks, broken glass, nails, wire, or string, which can be thrown or become entangled in the blade in the work area before starting operation. Pay attention when operating the edger near fences or poles.
- Keep away from fences, edges, cliffs and hard objects.
- Take extreme care when operating in a slippery location/environment. Also watch out for rough ground, stumps, roots, ditches or holes which could cause you to trip or stumble. Do not use the edger when it is raining.
- To prevent fire, do not use the edger in a place where there are flammable liquids.

■ In Emergency

- If the blade is contacted with obstructions, immediately stop the engine. After the blade is completely stopped, check to see if the blade is broken, bent or cracked. If there is any failure, replace the blade. Also, check if the shaft tube is bent, broken or cracked. If there is any failure, contact your servicing dealer.
- When removing the foreign objects wound around the blade, gear case or blade guard, be sure to stop the engine with the start/stop switch. Do not place your hands, etc. close to the blade while the engine is operating even if the blade is not rotating. When the throttle cable is gripped accidentally, the blade will suddenly start rotating, causing serious injury.
- If there is any problem, such as abnormal noise or vibration, stop the operation immediately and check for the cause.
If anything abnormal is found, such as a blunt edge of the blade, etc., make sure that no part is cracked or missing. Even if the blade has superficial cracks instead of damage or wear, replace the blade.
- In case of an abnormality, the edger can be released from the harness or shoulder harness by using the quick release.

4.5 Edging Grass

⚠ WARNING



Do not allow children or animals to enter the working range of the edger within 50 ft (15 m).



The edger must only be started and operated by one person.

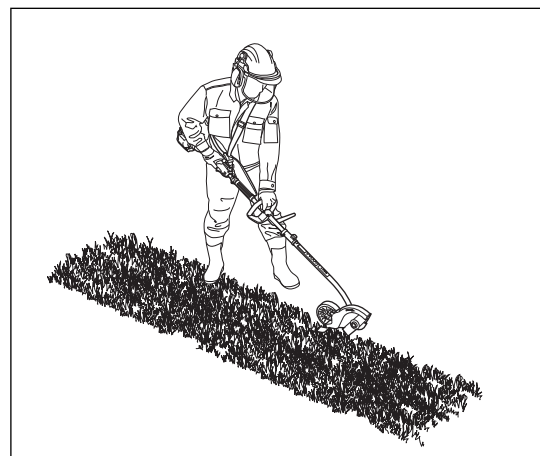
* Operation by more than one person increases the likelihood of mishandling and resulting injury.

When using multiple edgers at the same time, each operator must be at least within 50 ft (15 m) away from the others.

The following shows examples of use of the edger.

■ Holding Method of Edger

- Always hold the edger with both hands during operation.
To prevent injury due to inappropriate operation, always support the edger steady during operation by holding as follows.
Right hand: Control grip.
Left hand: Loop handle.
(This also applies to left-handers.)
- Always keep the machine away from your body.
- Do not over-reach during the operation. Your arm gets tired, losing control.



■ Operating Method

- Align the edging position with the blade, and slowly move forward while edging.
- The wheel must always be touching the ground during the work.

■ Prohibited Matter

- Do not hold the edger on your left side.

▶▶Note

- This edger is designed for the operation with it held on the right side of the operator.
- Do not operate holding the edger higher than your ankle.
- Do not move backward while edging.



4.6 Adjustment of Edging Depth

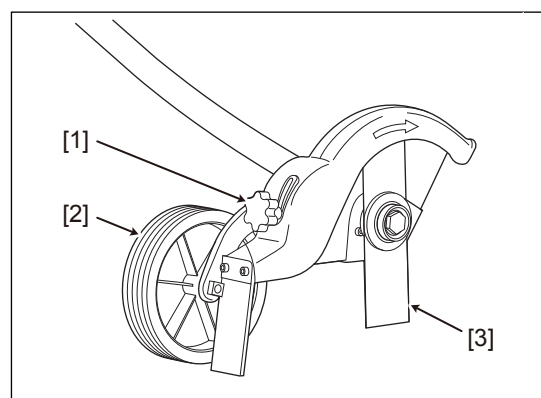
⚠ WARNING



Before/after the edging work, make sure that the knob bolt for adjusting the height of the wheel is tightened.

* Otherwise, the knob bolt can become loose during use, which could cause the height of the wheel to be changed suddenly, resulting in injury.

- 1** Loosen the height adjustment knob [1].
- 2** Move the wheel [2] up/down to adjust the height of the blade [3] from the ground.
- 3** Tighten the height adjustment knob [1].



4.7 Actions after Operation

After using the edger, take the following actions.

1 Set the start/stop switch to OFF (O side) to stop the engine.

▶▶ Note

- Make sure that blades rotation has come to a complete stop, before setting the unit down.

2 Tighten all the nuts, bolts, and screws other than the ones for adjusting the carburetor.

3 Store the edger according to “6. Storing”.

5. Maintenance

⚠ DANGER



Do not grind the blade. Replace with a new blade.

* Otherwise, the blade could break, resulting in injury

⚠ WARNING



Before performing maintenance, repair or cleaning, stop the engine and remove the attachment from the powerhead.

* If the engine starts during the work, hands or fingers could be severed by the moving parts or blade, resulting in serious injury or death.

►► Note

- Do not perform any maintenance or repair other than those described in the instruction manual. Other maintenance or repairs should be performed by your service dealer.

Maintenance items for the attachment are described as follows.

For maintenance of the powerhead, refer to the powerhead manual.

■ Maintenance List

Item	Daily	Every 20 hours	As necessary	Remarks
Inspection of blade	○			Refer to 5.1.1.
Looseness of screws and nuts	○			Refer to 5.1.2.
Removal of foreign objects	○			Refer to 5.1.3.
Greasing		○		Refer to 5.2.1.
Replacement of blade			○	Refer to 5.3.1.
Cleaning of wheel			○	Refer to 5.3.2.
Replacement of cap			○	Refer to 5.3.3.

5.1 Daily

5.1.1 Inspection of Blade

Check the following.

- The blade is not broken, chipped, bent or cracked.

If there is any failure, contact your servicing dealer.

If the edging performance starts to be degraded, for example, the blade is frequently caught in the branches, the blade must be replaced. (Refer to "5.3.1 Replacement of Blade")

5.1.2 Looseness of Screws and Nuts

Check the screws and nuts for looseness.

If any, tighten it securely.

5.1.3 Removal of Foreign Objects

Remove the blade to remove the foreign objects attached to the part A of gear case.

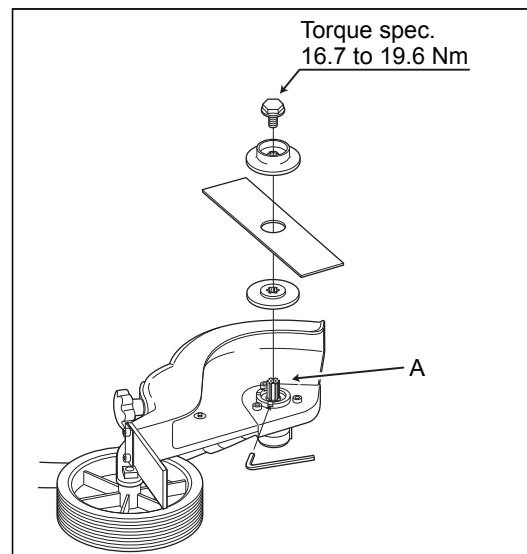
For the replacement of the blade, refer to "3.2.2 Removal of Blade".

►► Note

- If the work is continued without removing the foreign objects, the gear case could be broken, resulting in a serious injury.

Remove the foreign objects attached to the engine.

When the blade is tangled with bands, wires and grasses etc., remove these things.



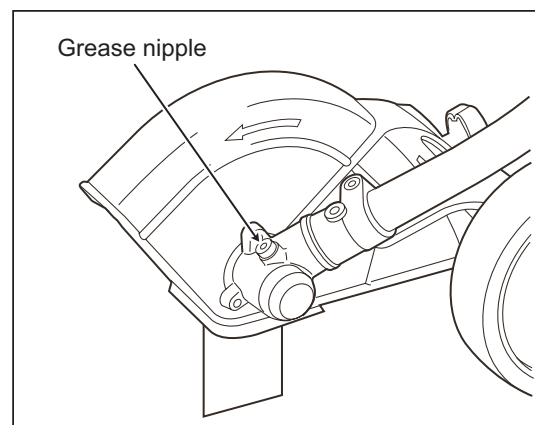
5.2 Every 20 Hours

5.2.1 Greasing

Apply grease from the grease nipple.

Use general purpose No. 2 lithium grease for greasing.

Also referred to as NLGI Grade-2 Lithium Based Grease.



5.3 As Necessary

5.3.1 Replacement of Blade

⚠ DANGER



When replacing the worn or broken blade, replace the blade cap and the blade mounting bolt together as a set.

* Otherwise, you will lose your control, causing the blade to come off or edger to become faulty.

Refer to "3.2.1 Installation of Blade" and "3.2.2 Removal of Blade" for replacing the blade.

5.3.2 Cleaning of Wheel

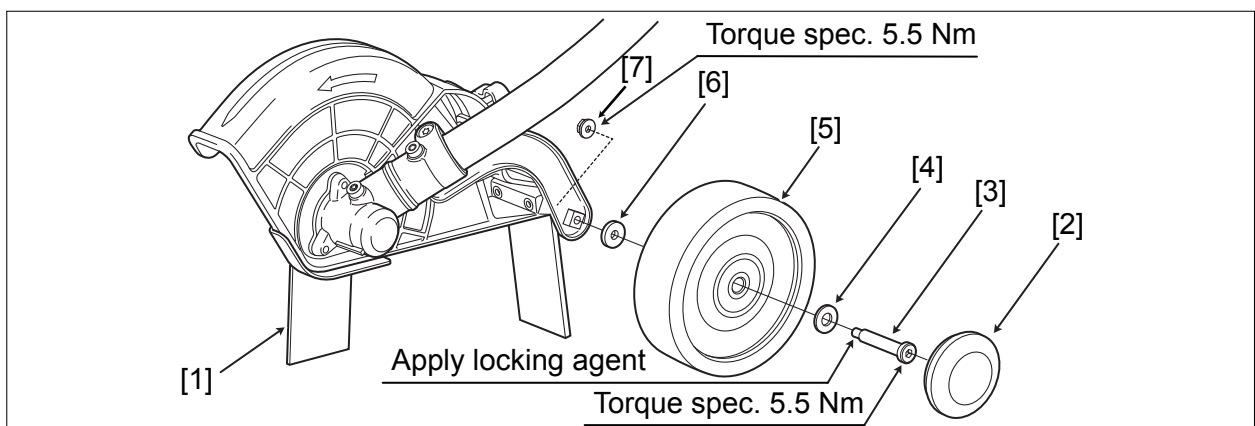
- 1** Remove the blade [1].
Refer to "3.2 Installation and Removal of Blade".
- 2** Remove the cap [2] with a straight slot screwdriver, etc. and loosen the nut [7].
- 3** Loosen the bolt [3] and remove the washer (thin) [4], the wheel [5] and the washer (thick) [6] to remove the foreign objects.

▶▶ Note

- If washing the wheel with water, dry it completely after washing to prevent rust.

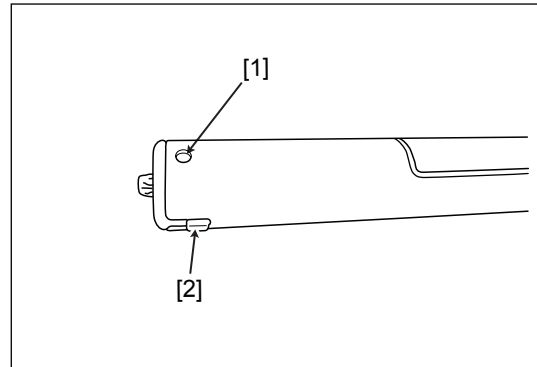
- 4** Apply some locking agent (middle strength) to the thread part of the bolt [3]. Tighten (5.5 Nm) the washer (thick) [6], the wheel [5] and the washer (thin) [4] with the bolt [3] and tighten (5.5 Nm) the nut [7]. Insert the cap [2].
For detailed information of the locking agent, contact the sales agency.

- 5** Make sure that the wheel [5] rotates smoothly.



5.3.3 Replacement of Cap

- 1** Push the hole [1] with a thin rod to pull out the cap.
- 2** Align the boss (protrusion) of cap [2] with the pipe groove to insert the cap [2].
Make sure that the cap will not come off.



6. Storing

⚠ CAUTION



When storing the attachment with the hook of the pipe cap attached to the pipe, etc., do not pull or swing the attachment.



Wear gloves when handling the blade during the replacement, etc.

* Otherwise, hands or fingers could be severed by the blade.

When storing the edger attachment, remove the blade and place it out of the reach of children.

▶▶ Note

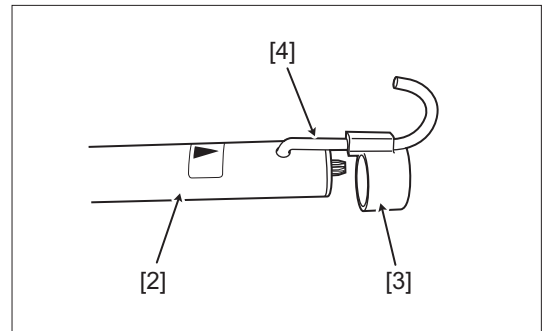
- Do not discard grease into the river, the sea, or the ground. Otherwise, it could pollute the environment.

After the work or when storing, follow the procedure below.

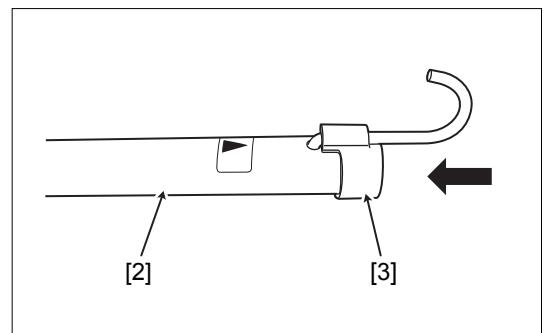
For directions after the powerhead operation is completed or storing method, refer to the powerhead manual.

1 Remove the attachment from the powerhead.

2 Insert the hanging hook [4] of the pipe cap [3] into the hole of the shaft tube [2]

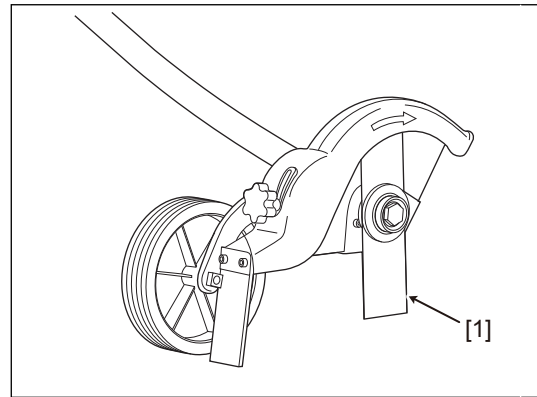


3 Insert the pipe cap [3] into the shaft tube [2]



4 Put on gloves.

-
- 5** Check to see if the blade [1] is not damaged.



- 6** Remove the blade [1].
Refer to "3.2.2 Removal of Blade" for removing the blade.
- 7** Clean the attachment. Wipe off the dirt or stain with a cloth, etc.
- 8** Store the edger in the following place.
- (a) Locked place
 - (b) High place out of reach of children and other unauthorized person
 - (c) Dry and cool dark place

7. Waste Disposal

For disposal, observe the standards and regulations of your region. If there is any question, contact your servicing dealer.

8. Troubleshooting

In case of failure, follow the table below.

⚠ DANGER



When troubleshooting, stop the engine and then remove the attachment from the powerhead.

* If the engine starts during the work, hands or fingers could be severed by the moving parts or blade.

Situation	Possible Cause	Correction
Output is not enough.	Throttle cable adjustment is faulty	Refer to the powerhead manual.
	Engine concern.	Refer to the powerhead manual.
Vibration is too large.	Poor balance of attachment	Contact your servicing dealer.
	Improper-installation of attachment	Check the installed status. Tighten attach nut.
	Looseness of connection of attachment	Contact your servicing dealer.
	Shaft tube is bent.	Contact your servicing dealer.
	Blade is cracked or broken.	Contact your servicing dealer.
Blade is dull	Blade has concern.	Bring to your servicing dealer for regrinding or purchase a new blade.
Blade does not move even if the engine speed is increased.	Gear has worn.	Contact your servicing dealer.
	Debris is wrapped around blade or shaft.	Remove debris.
Wheel does not rotate smoothly	Foreign objects are caught inside.	Refer to "5.3.2 Cleaning of wheel".

9. Servicing

For repair, handling method or cleaning, contact your servicing dealer.

■ When Requesting for Repair

If there is any problem, try finding the cause and take measures according to “8. Troubleshooting”. If it does not solve the trouble, contact your servicing dealer.

■ Contact for Repair

Contact your servicing dealer for repair.

Record serial No. (See “2.4 Position of Model and Serial No.”) in the space below. You will need this model code and serial No. when ordering parts, and when making technical or warranty inquiries.

Required information	
Name of product	Edger attachment
Model code & Serial No.	SETA -
Purchased date	
Purchased from	

10. Technical data

		Model	SSET	
		Powerhead	UMC425A	UMC435A
		Handle	LOOP	LOOP
a)	Mass (without powerhead)	lb (kg)	4.1 (1.9)	
	Length (without powerhead)	in (mm)	27.5 (700)	
	Cutting attachments (blade length)	in (mm)	7.87 (200)	
	Blade arbor size	in (mm)	1 (25.4)	

How to Contact Honda

Honda Power Equipment dealership personnel are trained professionals. They should be able to answer any question you may have. If you encounter a problem that your dealer does not solve to your satisfaction, please discuss it with the dealership's management. The Service Manager or General Manager can help. Almost all problems are solved in this way.

If you are dissatisfied with the decision made by the dealership's management, contact the Honda Power Equipment Customer Relations Office. You can write:

American Honda Motor Co., Inc.
Power Equipment Division
Customer Relations Office
4900 Marconi Drive
Alpharetta, GA 30005-8847

Or telephone: (770) 497-6400 M-F, 8:30 a.m. - 7:00 p.m. ET

When you write or call, please give us this information:

- Model and serial numbers
- Name of the dealer who sold the product to you
- Name and address of the dealer who services your product
- Date of purchase
- Your name, address, and telephone number
- A detailed description of the problem



Distributor's Limited Warranty

NIKKARI ATTACHMENTS

This warranty is limited to the following Nikkari products when distributed by American Honda Motor Co., Inc., Power Equipment Division, 4900 Marconi Drive, Alpharetta, Georgia 30005.

PRODUCTS COVERED BY THIS WARRANTY:	LENGTH OF WARRANTY: (FROM DATE OF ORIGINAL RETAIL PURCHASE)	
	PRIVATE RESIDENTIAL ⁽¹⁾	COMMERCIAL/RENTAL/INSTITUTIONAL
Hand-Held Attachments		
SSST trimmer	36 months	24 months
SSBL blower		
SSCL cultivator		
SSST edger		
SSHH hedge trimmer		
SSPP pole pruner		

(1) Private residential: Used in maintaining owner's primary and/or secondary residence. Any other use, including but not limited to informal "for hire" use, is considered commercial/rental/institutional use.

To Qualify for This Warranty:

The product must be purchased in the United States, Puerto Rico, or the U.S. Virgin Islands from American Honda or a dealer authorized by American Honda to sell those attachments. This warranty applies to first retail purchaser and each subsequent owner during the applicable warranty time period, unless noted otherwise.

What American Honda Will Repair or Replace Under Warranty:

American Honda will repair or replace, at its option, any part that is proven to be defective in material or workmanship under normal use during the applicable warranty time period. Warranty repairs and replacements will be made without charge for parts or labor. Anything replaced under warranty becomes the property of American Honda Motor Company, Inc. All parts replaced under warranty will be considered as part of the original product, and any warranty on those parts will expire coincident with the original product warranty.

To Obtain Warranty Service:

You must, at your expense, take the Nikkari attachment and proof of purchase to any Honda Power Equipment dealer in the United States, Puerto Rico, or the U.S. Virgin Islands who is authorized to sell and/or service that product, during the dealer's normal business hours. To locate a dealer near you, visit our web site at <http://PowerEquipment.Honda.com> and click on Find a Dealer.

If you are unable to obtain warranty service or are dissatisfied with the warranty service you receive, contact the owner of the dealership involved; normally this will resolve the problem. However, if you should require further assistance, write or call the Power Equipment Customer Relations Department of American Honda Motor Co., Inc. at the following address:

American Honda Motor Co., Inc.
Power Equipment Customer Relations Dept.
4900 Marconi Drive
Alpharetta, GA 30005-8847
Telephone: (770) 497-6400

Exclusions:

1. Any damage or deterioration resulting from the following:
 - Neglect of the periodic maintenance as specified in the product owner's manual
 - Improper repair or maintenance
 - Operating methods other than those indicated in the product owner's manual
 - A low fluid level or the use of fluids other than specified by Nikkari.
 - Exposure of the product to soot and smoke, bird droppings, sea water, salt, rain, corrosive chemical agents, or extreme weather conditions
 - Collision, fuel contamination or deterioration, neglect, unauthorized alteration, misuse, incorporation or use of unsuitable attachments or parts
 - Normal wear and tear (including, but not limited to, normal fading of painted or plated surfaces, sheet peeling, and other natural deterioration)
2. Consumable parts: Honda does not warrant parts deterioration due to normal wear and tear. The following parts are not covered by this warranty unless they are needed during another repair covered under this warranty: spark plug, fuel filter, air cleaner element, clutch disc, tire, wheel bearing, recoil starter rope, cable, belt, cutter blade, oil, and grease.
3. Cleaning, adjustment, and normal periodic maintenance work (blade sharpening, belt and cable adjustments).
4. Any product that has ever been declared a total loss or sold for salvage by a financial institution or insurer. This exclusion does not apply to any recalls or other campaigns.
5. Tiller tines of roto-tillers are specifically not warranted against impact damage including, but not limited to, abrasive damage.

Disclaimer of Consequential Damage and Limitation of Implied Warranties:

American Honda disclaims any responsibility for loss of time or use of the product, transportation, commercial loss, or any other incidental or consequential damage. Any implied warranties are limited to the duration of this written limited warranty. Some states do not allow limitations on how long an implied warranty lasts and/or do not allow the exclusion or limitation of incidental or consequential damages, therefore the above exclusions and limitations may not apply to you. This warranty gives you specific legal rights, and you may also have other rights, which vary from state to state.

American Honda Motor Co., Inc.
July 2015



MEMO

PRODUCT REGISTRATION

Thank you for choosing Honda. To ensure you receive important service information in the event of a product update or recall, please register your edger within 30 days of purchase.

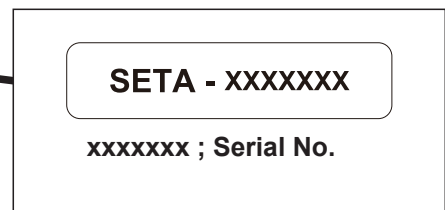
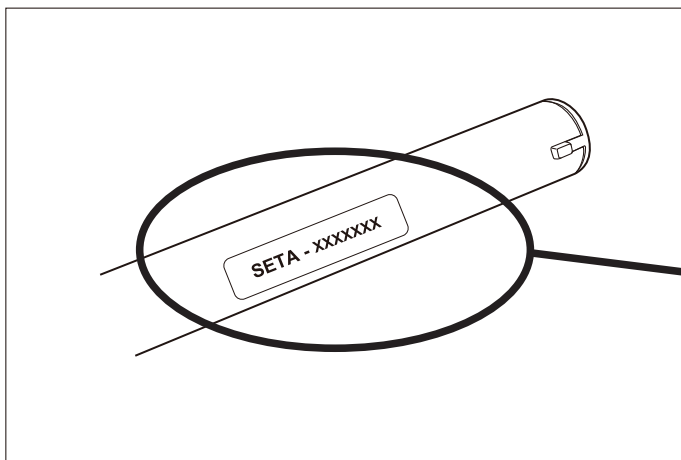
From time to time, American Honda conducts sales promotion that require you to register your edger within 30 days of purchase. If you purchased your Honda edger during one of these promotions, you must register your edger within 30 days.

Your information will remain confidential. It will not be released to any other company or organization.

Failure to register your edger does not diminish your warranty rights.

Please complete and mail the postage paid card or register online at <http://powerequipment.honda.com>

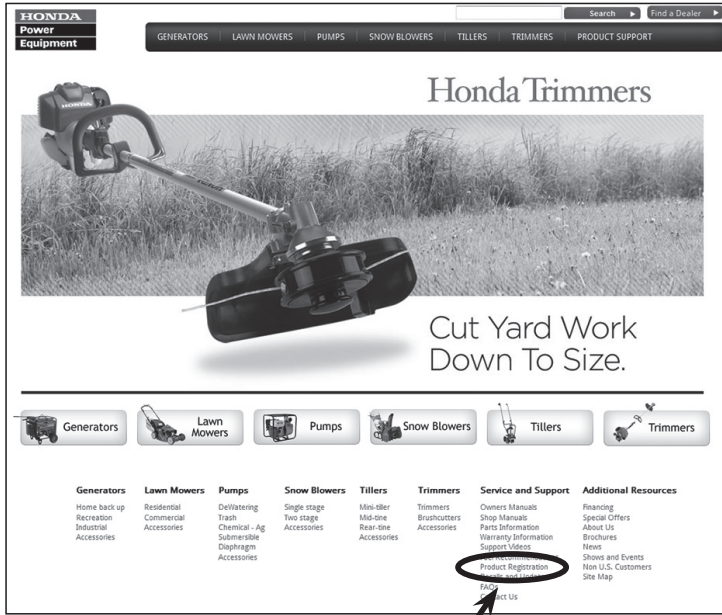
Please register your edger attachment, even if you've already registered your UMC425 or UMC435 powerhead.



Print the serial number here.

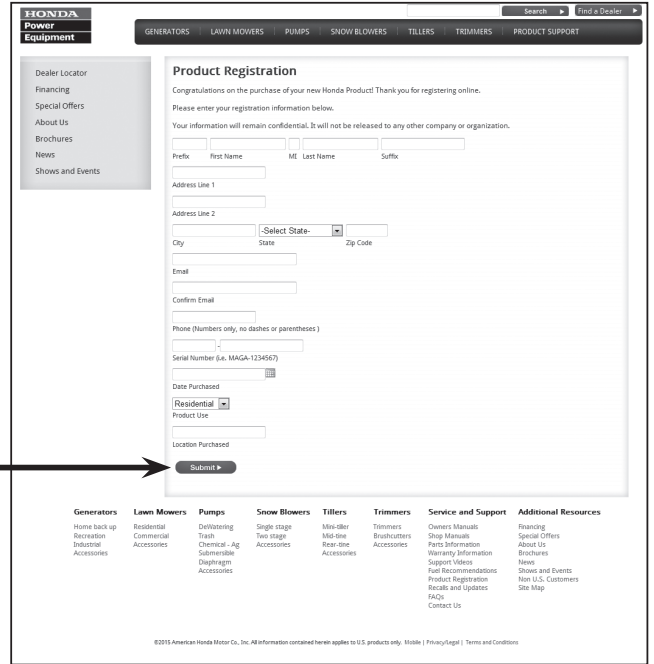
Serial number	<input type="text"/>	* Dealer Store number	<input type="text"/>	* Dealer ZIP code	<input type="text"/>
					<small>* If available</small>
Owner's Last Name	<input type="text"/>		First Name	<input type="text"/>	
Company Name <small>(commercial/rental users)</small>	<input type="text"/>		Telephone	<input type="text"/>	
Address	<input type="text"/>				
City	<input type="text"/>	State	<input type="text"/>	ZIP Code	<input type="text"/>
E-mail address	<input type="text"/>				
Date of Purchase	<input type="text"/>	-	<input type="text"/>	-	<input type="text"/>
	<small>MONTH</small>		<small>DAY</small>		<small>YEAR</small>
Purchased Via <small>(check one)</small>	<input type="checkbox"/>	In Store	<input type="checkbox"/>	Online	
Application <small>(check one)</small>	<input type="checkbox"/>	Commercial <small>(professional use)</small>	<input type="checkbox"/>	Non-commercial <small>(private, homeowner use)</small>	<input type="checkbox"/>
				Rental <small>(for-hire use)</small>	

1. Go to www.PowerEquipment.Honda.com to register your unit.



2. Click on **Product Registration**.

3. Complete the required information and click **Submit**.
It's that simple!



Product Registration



NO POSTAGE
NECESSARY
IF MAILED
IN THE
UNITED STATES

BUSINESS REPLY MAIL

FIRST-CLASS MAIL PERMIT NO. 117 ALPHARETTA GA

POSTAGE WILL BE PAID BY ADDRESSEE

Power Equipment Division
American Honda Motor Co. Inc.
4900 Marconi Dr
Alpharetta GA 30005-9956



E1464-0