

AVAILABLE REPAIR KITS

Rotary Head Kit - Major:

P/N 2100373 (DFSCP18)

P/N 2100372 (DFSCP18GZ)

Includes items 2, 3, 4, 5, 6, 7, 8, 9, 10, 11, 12, 13, 14, 15 and 16

Rotary Head Kit - Minor:

P/N 2100203

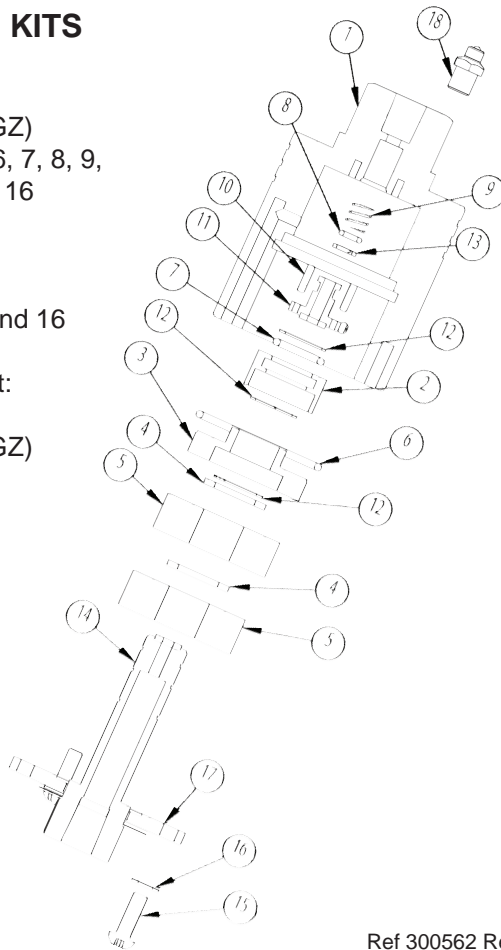
Includes items 9, 10, 12 and 16

Complete Rotary Head Kit:

P/N 2103221 (DFSCP18)

P/N 2103220 (DFSCP18GZ)

Includes all items



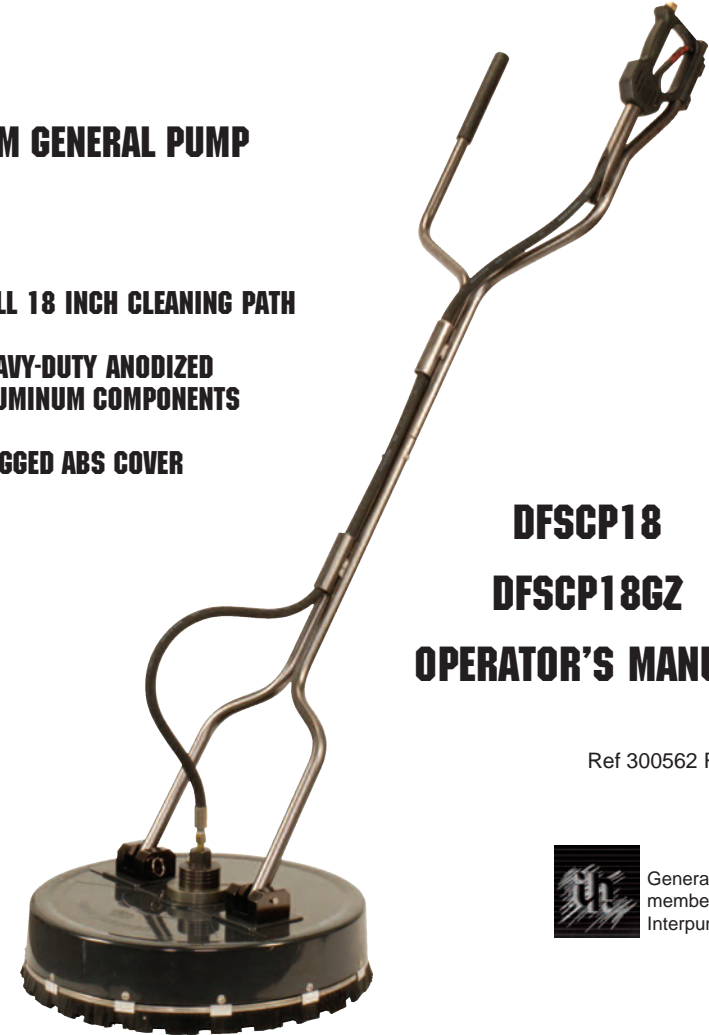
Ref 300562 Rev. H
11 12

ITEM NO.	PART NO.	DESCRIPTION	QTY.
1	2500010	HOUSING, DFSCP18GZ	1
	2500011	HOUSING, DFSCP18	
2	2520030	RETAINER, BEARING	1
3	2520028	RETAINER, BEARING	1
4	2520027	SPACER, BEARING	2
5	2640004	BEARING, DFSCP18GZ	2
	2640015	BEARING, DFSCP18	
6	2701012	O RING	1
7	2701011	O RING	1
8	2701010	O RING	1
9	2720007	SPRING	1
10	2530008	PIN	2
11	2530007	STEM, SMALL	1
12	2520029	SNAP RING	3
13	2710000	BACK UP RING	1
14	2520113	STEM	1
15	2200092	SCREW, M5 X 16	3
16	2200050	WASHER	3
17	2500012	RETAINER, BEARING	1
18	2640012	ZERK, GREASE, DFSCP18GZ	1

THE HAMMERHEAD PROFESSIONAL FLAT SURFACE CLEANER

FROM GENERAL PUMP

- FULL 18 INCH CLEANING PATH
- HEAVY-DUTY ANODIZED ALUMINUM COMPONENTS
- RUGGED ABS COVER



DFSCP18
DFSCP18GZ
OPERATOR'S MANUAL

Ref 300562 Rev. H
11 12



General Pump is a member of the Interpump Group



WARNING: Read Before Operating Machine

Always wear protective eyewear

Keep clear of rotating nozzles

Never lock trigger gun open with any device

Drain water in cold weather to avoid freezing

Tampering with any part of this machine will void all warranties



Operating Instructions

1. Connect to Pressure Washer.
2. Turn water on and open valve. Open trigger gun for flow of water through nozzles. Nozzles must have flowing spray. If not, remove tips and clean; reassemble, making sure that groove of nozzle is parallel to spray bar. Use thread sealant when installing nozzles.
3. Start Pressure Washer. The Hammerhead is ready for operation.
4. Walk slowly behind the Hammerhead cleaning as you go. If striping occurs, slow down your pace.
5. Periodically check weep hole on bottom of swivel. Water will seep slowly; if water shoots out, stop and replace seals. Swivel assembly can be rebuilt.
6. For maximum effectiveness keep spray tips clean. If the machine vibrates, stop and clean spray tips.
7. DFSCP18GZ ONLY: Use No. 2 general purpose waterproof lithium grease. For hot water applications, use a quality high temperature grease. Grease swivel as needed depending on usage. Contact your dealer with questions about greasing.

DO NOT ALLOW MACHINE TO REMAIN STATIONARY ON SOFT SURFACES SUCH AS WOOD.

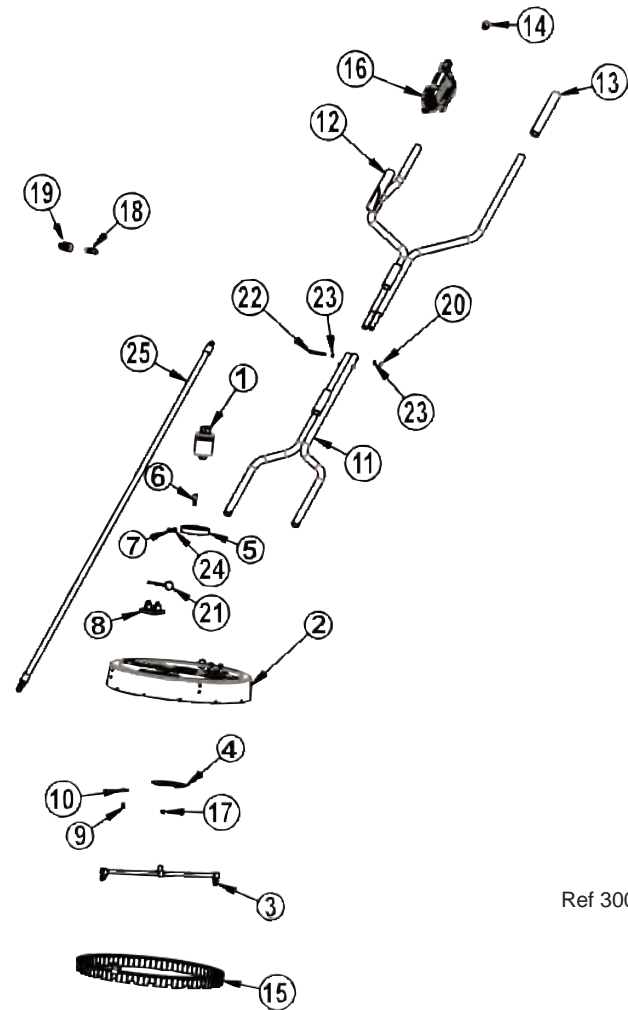
Caution: Striking any raised obstacle during operation will damage machine. If contact does occur and results in vibration when operating machine, STOP and replace spray bar. Continued operation could result in serious injury or damage to machine.

Operating Pressures: 1,000 to 4,000 PSI
 Max Flow: 8.0 GPM
 Dimensions: 70" x 18.3" x 18.3"
 Weight: 17 lbs.

General Pump

1174 Northland Drive • Mendota Heights, MN 55120
 Phone: 651.686.2199 • Fax: 800.535.1745
 www.generalpump.com • sales@gpcompanies.com

Ref 300562 Rev.H
 11 12



Ref 300562 Rev.H
 11 12

ITEM NO.	PART NO.	DESCRIPTION	QTY.
1	2103221	Swivel (DFSCP18)	1
	2103220	Swivel (DFSCP18GZ)	
2	2660119	Deck, GP	1
3	2530052	Arm, Rotary, Assy.	1
4	2630010	Plate, Retaining	1
5	2540023	Collar, Split	1
6	2200055	SHCS, M8	4
7	2200054	SHCS, M8	1
8	2540020	Block, Handle	2
9	2200047	Bolt, M6	8
10	2203406	Washer, M6	8
11	2540021	Handle, Lower	1
12	2540022	Handle, Upper	1

ITEM NO.	PART NO.	DESCRIPTION	QTY.
13	2660047	Grip, Handle	1
14	2660046	Plug, Handle	1
15	2660049	Brush Assy.	1
16	DG4000FSC	Gun, Flat Surface Cleaner	1
17	2200053	Nut, M8 x 1.25	4
18	D10009	Plug	1
19	D10004	Coupler, 3/8 x 3/8 M	1
20	2200026	Nut, M6, Nylok	2
21	2202010	Pin, 55mm, w/Ring, SST	2
22	2200058	HHCS	2
23	2200018	Washer, M6	4
24	2203507	Washer	1
25	2702026	Hose, FSC, 18"	1