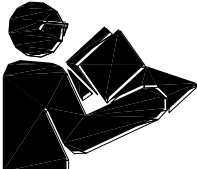





ITEM NUMBERS: 1578172GN, 1578182GN,
1578202GN, 1577543GN,
1577544GN

	 WARNING
	<p>Read this manual. Serious injury or death can result if safety instructions are not followed.</p>

	<p>Engine is shipped without oil.</p> <ul style="list-style-type: none">- Before starting engine, fill engine oil.- See engine manual for engine oil requirements.
	<p>Pump is shipped with oil.</p> <ul style="list-style-type: none">- Remove shipping plug and install vented fill cap. (Comet Pumps)- Remove shipping tape from pump oil fill cap. (Cat Pumps)- See pump oil cap section of this manual.
	<p>Closely inspect all components.</p> <ul style="list-style-type: none">-If you have damaged components then: Contact the freight company that delivered the unit and file a claim.-If you have missing components then: Contact Customer Service at 1-800-822-0295

Hazard Signal Word Definitions






	<p>This is the safety alert symbol. It is used to alert you to potential personal injury hazards. Obey all safety messages that follow this symbol to avoid possible injury or death.</p>
	<p>DANGER (red) indicates an imminently hazardous situation which, if not avoided, will result in death or serious injury.</p>
	<p>WARNING (orange) indicates a potentially hazardous situation which, if not avoided, could result in death or serious injury.</p>
	<p>CAUTION (yellow) indicates a potentially hazardous situation which, if not avoided, may result in minor or moderate injury.</p>
	<p>CAUTION (yellow) used without the safety alert symbol indicates a potentially hazardous situation which, if not avoided, may result in property damage.</p>

fig01453

Table of Contents

Important Safety Rules	4
Warning Label Locations	6
Assembly Instructions.....	7
Machine Component Identification.....	10
Pump Oil Cap and Pump Component Identification...	11
Operation Instructions	12
Water Supply.....	12
Start-Up/Shut-Down Instructions.....	13
Spray Gun Safety Lock and Attaching the Lance.....	14
Installing Nozzles and Quick Connect hoses.....	15
Applying Chemicals.....	16
Maintenance and Storage.....	17
Maintenance Mode and Maintenance Schedule....	17
Pump Oil Change.....	18
Long Term Storage.....	19
Winter Storage.....	19
Troubleshooting	20
Specifications	21
Parts Exploded View	22
Pump Exploded Views.....	24
Pump Breakdowns.....	26
Warranty	33

☐ Important Safety Rules







 WARNING	
	<p>1.) Read owner's manual completely. Serious injury or death can result if safety instructions are not followed. You must be 16 or older to operate this machine. Keep untrained people away.</p>
	<p>2.) Skin puncture hazard. High pressure fluid can inject under skin resulting in serious injury including amputation. Do not direct spray at people or animals. -If skin injection happens, seek IMMEDIATE surgical treatment. -Do not check for leaks with hand. Instead, use a piece of cardboard to check for leaks. -Do not use unit if exterior hose damage is evident. Make sure all fittings are tight before starting. Relieve system pressure before servicing. -Know how to stop engine and bleed pressures quickly. Be thoroughly familiar with the controls. -Make sure accessories meet the unit's temperature and pressure limits. -Stop engine, bleed pressure, and engage spray gun safety lock before leaving unit unattended.</p>
 	<p>3.) Risk of fire and explosion. Hot exhaust fumes from engine can cause fire. Gasoline is highly flammable and explosive. You can be burned or seriously injured when handling fuel. -Position muffler at least 7 feet from combustible objects. -Before adding fuel, stop the engine and keep heat, sparks, and flame away. Do not add fuel when engine is running or still hot. No smoking near engine. -Do not pump fuel directly into engine at gas station. Static charge can build and ignite fuel. Use a UL approved fuel container to transfer gas to the engine. Wipe up fuel spills immediately. -Only store and handle fuel outdoors. Gasoline vapors can ignite if they collect inside an enclosure. Explosion can result. -Do not change or add to exhaust system. Fire can result. -Do not change or add fuel tanks or fuel lines. Fire can result. -Before each use, check fuel tank and fuel lines for leaks. Any fuel leak is a fire hazard. Fix any fuel leaks before starting engine. -During transportation take precautions to make sure pressure washer will not tip over and cause a fuel leak fire hazard.</p>
	<p>4.) Poisonous gas. This machine gives off carbon monoxide, a poisonous gas that can kill you. You CANNOT smell it, see it, or taste it. -ONLY run machine outdoors and away from air intakes. -NEVER run machine inside homes, garages, sheds, or other semi-enclosed spaces. These spaces can trap poisonous gases, EVEN IF you run a fan or open doors and windows. If you start to feel sick, dizzy, or weak while using this machine, shut it off and get to fresh air RIGHT AWAY. See a doctor. You may have carbon monoxide poisoning.</p>

fig01572

Save These Instructions

☐ Important Safety Rules

WARNING



5.) Risk of exposure to dangerous chemicals.

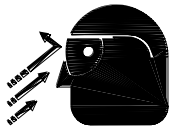
Serious injury or death can result if chemical manufacturer instructions are not followed.

- Wear protective gloves when handling and cleaning with chemicals.
- Understand all safety hazards and first aid for all chemicals being used.
- When cleaning filters, check if chemicals have been used and take any precautions that are recommended by the chemical manufacturer.
- Different chemicals may interact dangerously with each other, always follow chemical manufacturer directions before switching chemicals.
- Calculate the correct amount of chemical to mix, dispose of excess chemical per the manufacturer instructions.
- Never spray flammable liquids.



6.) Risk of electrocution.

Electricity can kill you. Keep water away from electrical outlets and electrical devices.



7.) Flying objects.

Small particles may fly out while spraying. Wear safety glasses. Serious eye injury can occur.

Make sure nozzle is secure before squeezing trigger. If nozzle is not secure it will become a projectile.



8.) Fall hazard.

Pressure washer creates puddles and slippery surfaces. Keep good footing and balance. Serious injury can occur.

- Wear footwear capable of maintaining a good grip on wet surfaces.
- Gun kicks back. Hold with both hands.
- Do not overreach or stand on unstable supports.
- Do not stand on ladders or scaffolding.
- Do not place pressure washer on soft or unstable ground.



CAUTION

1.) Hot muffler.

You can be burned by muffler. Do not touch.

fig01846

Warning Label Locations

- | <u>START-UP INSTRUCTIONS</u> | <u>SHUT-DOWN INSTRUCTIONS</u> |
|--|--|
| 1. Attach garden hose. | 1. Turn engine OFF. |
| 2. Attach pressure hose. | 2. Turn water supply OFF. |
| 3. Attach gun and lance. | 3. Squeeze trigger to relieve system pressure. |
| 4. Turn water supply ON. | 4. Remove garden hose. |
| 5. Squeeze trigger to purge air from pump. | 5. Remove pressure hose. |
| 6. Insert nozzle. | 6. Turn fuel valve OFF (if equipped). |
| 7. Start engine. | |



Located on Engine

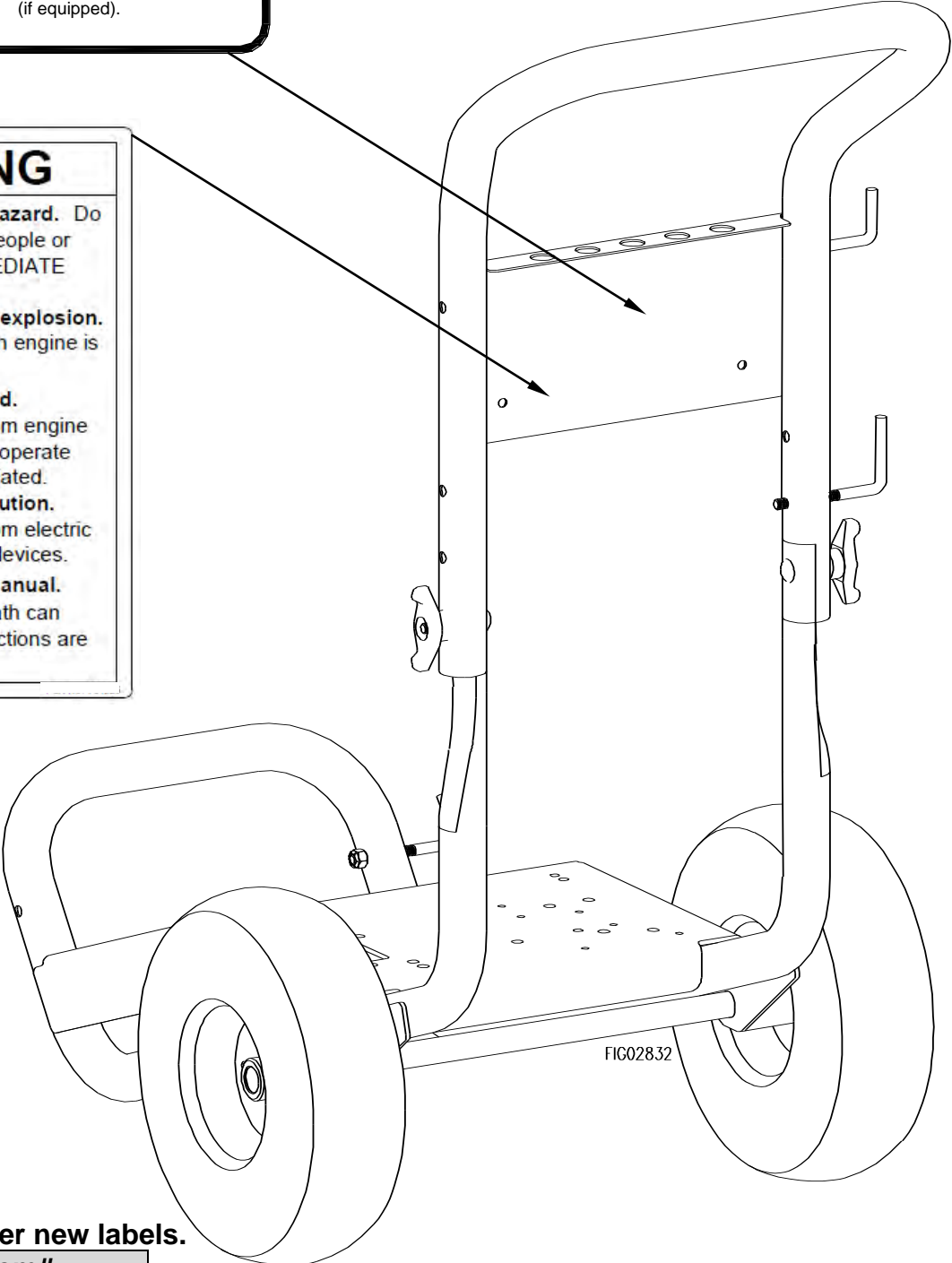
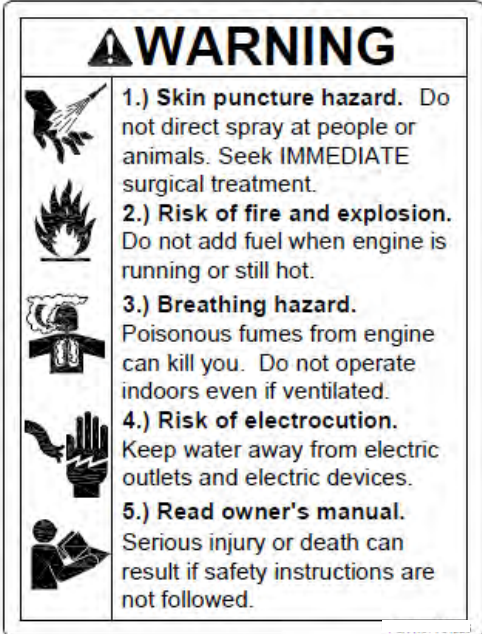


FIG02832

Call 1-800-822-0295 to order new labels.

Description	Item#
Instruction Label	781027
Burn Hazard- Refer to breakdown (ref #23)	781026
Warning	

□ Assembly Instructions

I.) Unpack

Your pressure washer is shipped in two boxes except for models 1577543 and 1577544 which are shipped in one box. Separate and identify the components found in the box/boxes.

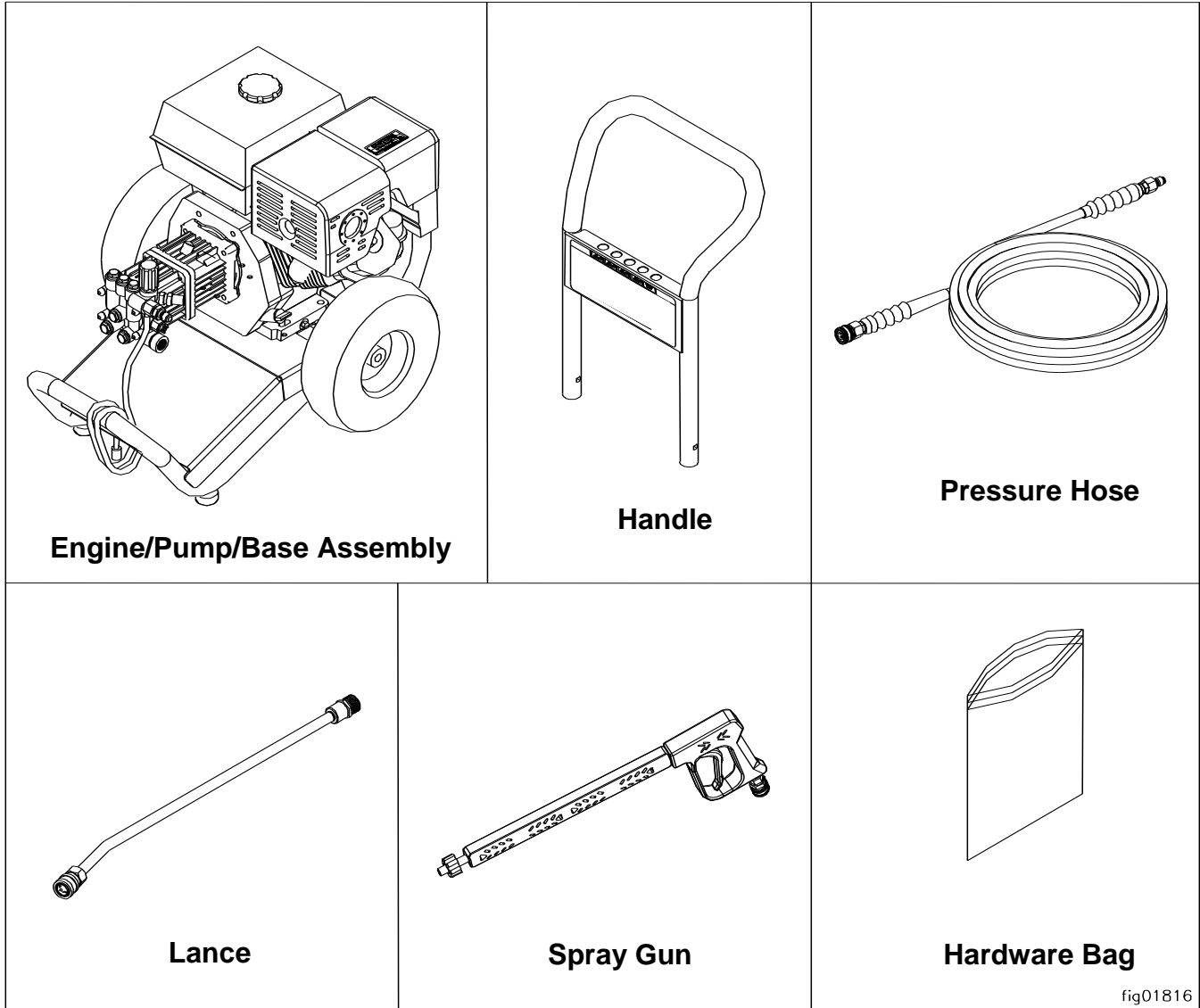


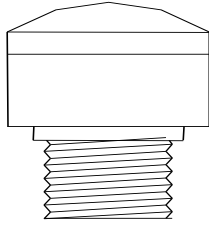
fig01816

* Depending in model, components may appear differently than illustrated

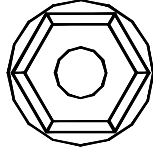
Any Questions, Comments, Problems or Parts Orders
Call GNE Product Support 1-800-822-0295

Assembly Instructions

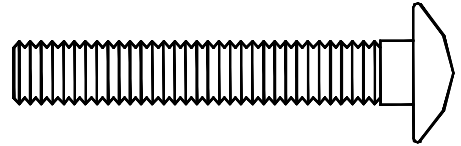
II.) Hardware Bag



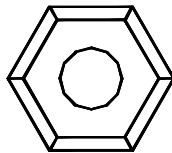
Vented fill cap
1577543GN, 1577544GN



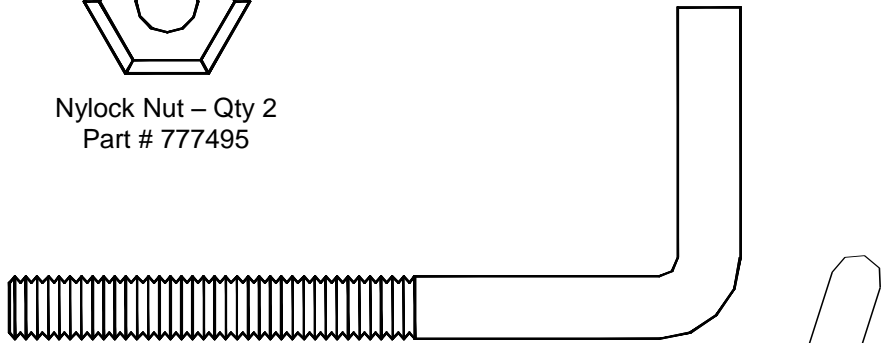
Flange Nut – Qty 2
Part # 82019



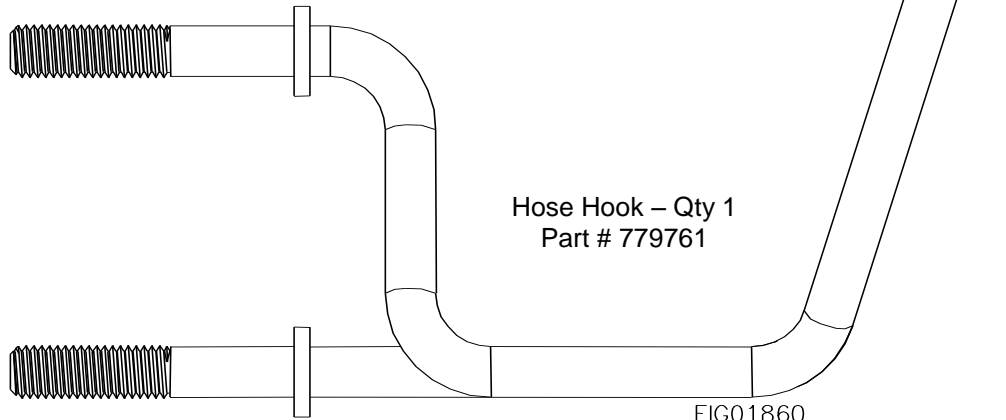
Carriage Bolt – Qty 2
Part # 82233



Nylock Nut – Qty 2
Part # 777495



Gun Hook – Qty 1
Part # 38509

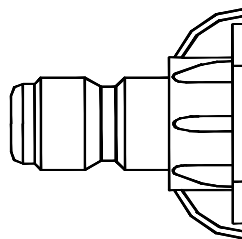


Hose Hook – Qty 1
Part # 779761

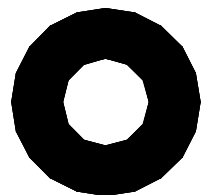
FIG01860



T- Handle Knob – Qty 2
Part # 38578



Nozzle – Qty 2 or 5
Varies by model

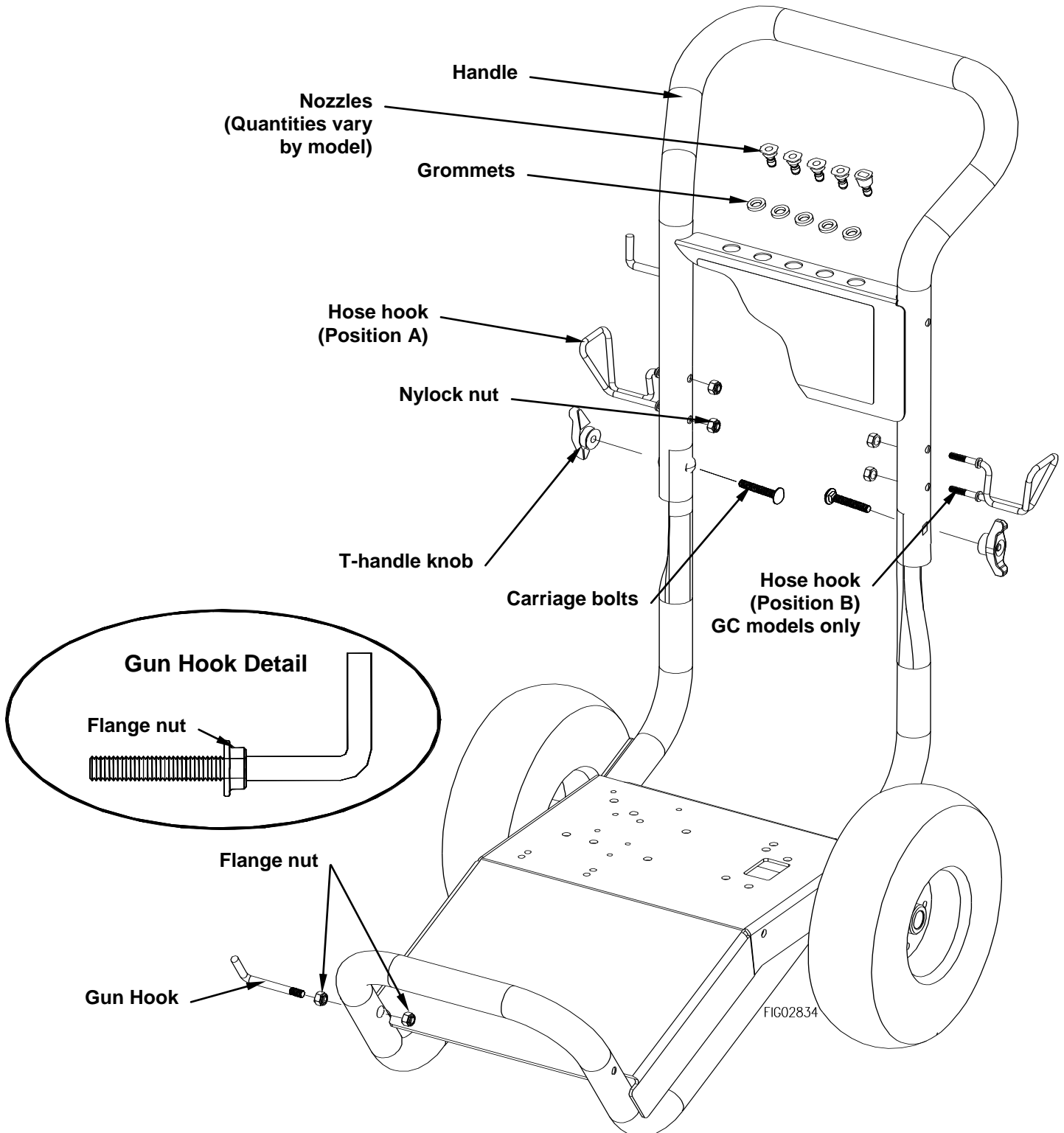


Grommet – Qty 5
Part # 35198

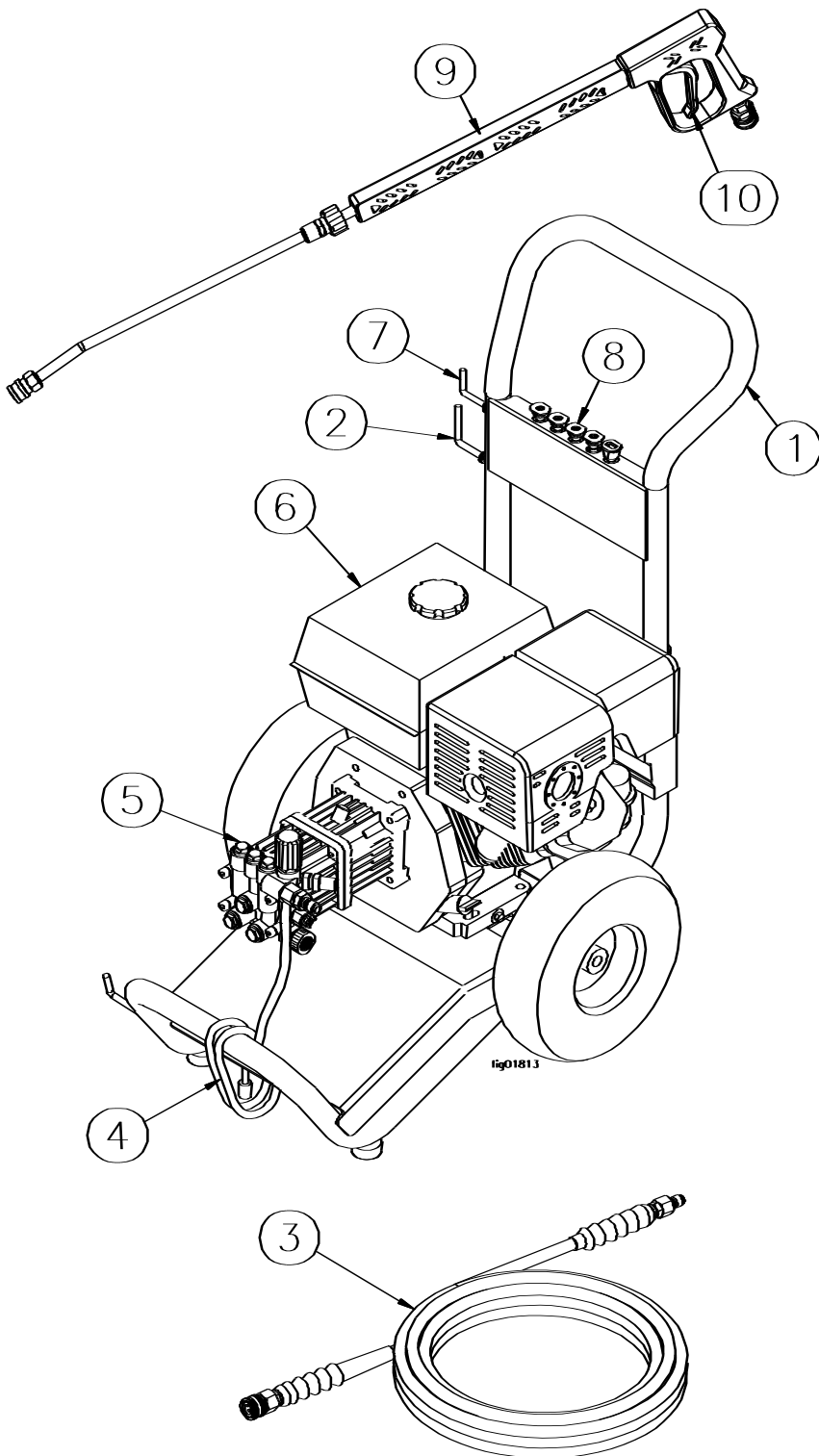
Assembly Instructions

III.) Handle Assembly

- 1.) Attach handle to base with two carriage bolts and t-handle knobs.
- 2.) Spin a flange nut backwards onto the gun hook. (see hook detail)
- 3.) Mount the hose hook onto the handle and gun hook onto base as shown.
- 4.) Insert grommets into the holes on the handle nameplate.
- 5.) Press nozzles into grommets according to the colors indicated on the handle decal.



Machine Component Identification



- 1.) **Handle.** Designed for easy cart movement.
- 2.) **Hose Hook.** Store hose on hook. (Position depends on model, see Assembly Instructions section.)
- 3.) **Pressure Hose.** Attach quick couplers to gun and water outlet.
- 4.) **Chemical Hose.** Submerge in cleaning solution.
- 5.) **Water Pump.** Inspect for loose/broken parts prior to each use.
- 6.) **Engine.** Honda engine provides years of reliable use.
- 7.) **Gun Hook.** Store gun on hook.
- 8.) **Nozzles.** Change nozzles for different spray patterns
- 9.) **Spray Gun.** Always use two hands for safe operation.
- 10.) **Trigger.** Actuate to allow pressurized water to flow out of spray gun.

*Note: Components on models vary slightly

Operation Instructions

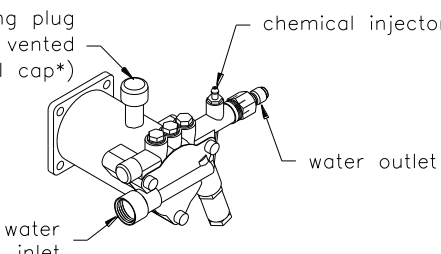
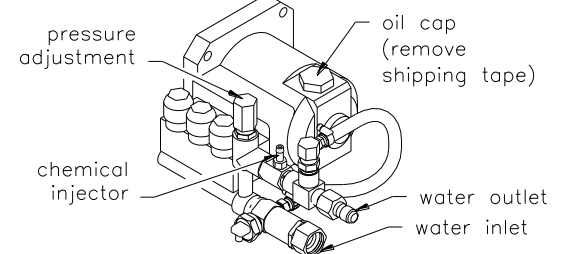
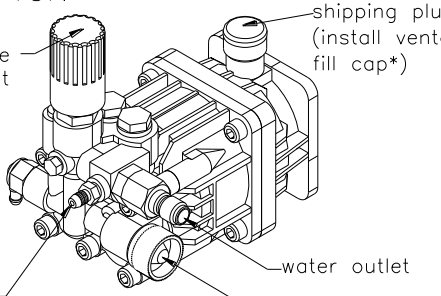
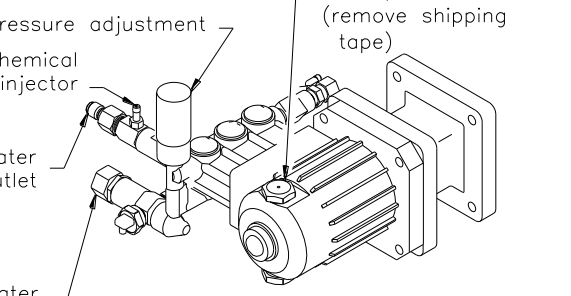
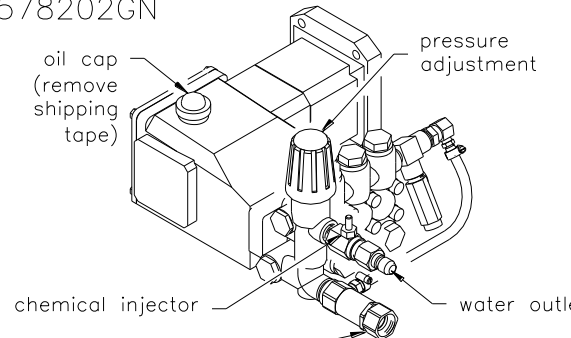
<p>1577543GN</p> <p>shipping plug (install vented fill cap*)</p> <p>chemical injector</p> <p>water outlet</p> <p>water inlet</p> 	<p>1578172GN</p> <p>pressure adjustment</p> <p>oil cap (remove shipping tape)</p> <p>chemical injector</p> <p>water outlet</p> <p>water inlet</p> 
<p>1577544GN</p> <p>pressure adjustment</p> <p>shipping plug (install vented fill cap*)</p> <p>chemical injector</p> <p>water outlet</p> <p>water inlet</p> 	<p>1578182GN</p> <p>pressure adjustment</p> <p>oil cap (remove shipping tape)</p> <p>chemical injector</p> <p>water outlet</p> <p>water inlet</p> 
<p>*Note: Discard shipping plug and o-ring.</p>	<p>1578202GN</p> <p>oil cap (remove shipping tape)</p> <p>pressure adjustment</p> <p>chemical injector</p> <p>water outlet</p> <p>water inlet</p> 

FIG04783



Operation Instructions

Water Supply

- 1.) Make sure the water supply is clean. Debris can cause excess pump wear and reduce performance.
- 2.) An insufficient water supply will damage your pump. Make sure the water supply is steady and is 20% over the rated flow of your pump. Use a stopwatch to time how long it takes to fill a 5-gallon bucket with your garden hose. The bucket must fill faster than the times listed in the table below.

Model	Time to fill 5 gallon bucket
1577543GN	100 seconds
1577544GN	100 seconds
1578172GN	100 seconds
1578182GN	84 seconds
1578202GN	72 seconds

- 3.) The water supply garden hose must have an inside diameter of at least 5/8". If the hose is more than 100 ft. long, the diameter must be at least 3/4".
- 4.) Never use a reservoir tank as a water source. Drawing water out of a tank may cause pump cavitation and damage to your pump. This pressure washer is designed for a pressurized water source such as a city water faucet. However, the water source pressure must not exceed 115 psi (8 bar).
- 5.) Always use a flexible rubber hose for your water supply. Do not use rigid piping.



Operation Instructions

Start-Up Instructions

1. Attach garden hose to water inlet.
2. Attach pressure hose to water outlet and gun.
3. Attach spray gun to lance.
4. Turn water supply ON.
5. Squeeze trigger to purge air from pump.
6. Insert nozzle.
7. Start engine.

Shut-Down Instructions

1. Turn engine OFF.
2. Turn water supply OFF.
3. Squeeze trigger to relieve system pressure.
4. Remove garden hose.
5. Remove pressure hose.
6. Turn fuel valve OFF (if equipped).

WARNING



Skin puncture hazard.

High pressure fluid can inject under skin resulting in serious injury including amputation. Do not direct spray at people or animals.

-If skin injection happens, seek IMMEDIATE surgical treatment.

-Do not check for leaks with hand. Instead, use a piece of cardboard to check for leaks.

-Do not use unit if exterior hose damage is evident. Make sure all fittings are tight before starting. Relieve system pressure before servicing.

-Know how to stop engine and bleed pressures quickly. Be thoroughly familiar with the controls.

-Make sure accessories meet the unit's temperature and pressure limits.

-Stop engine and bleed pressures before leaving unit unattended.

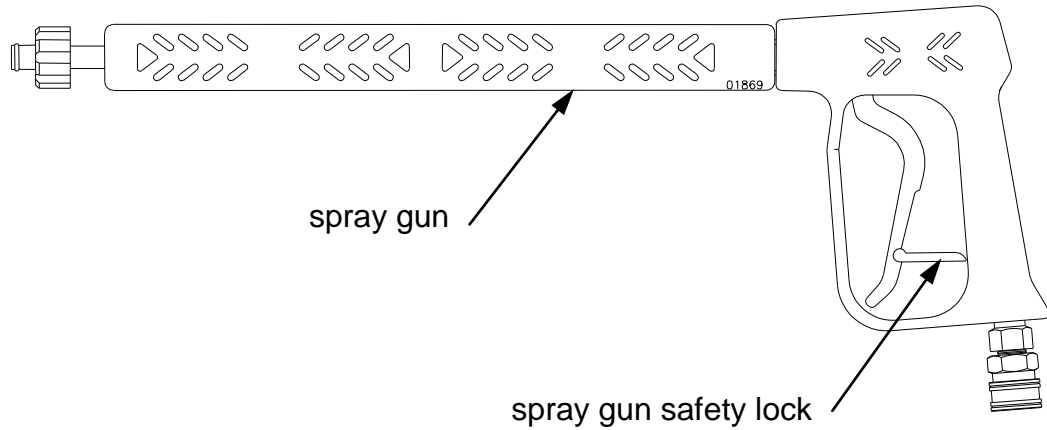
fig01863



Operation Instructions

Spray Gun Safety Lock

When not spraying, use the spray gun safety lock to prevent accidental high pressure discharge.

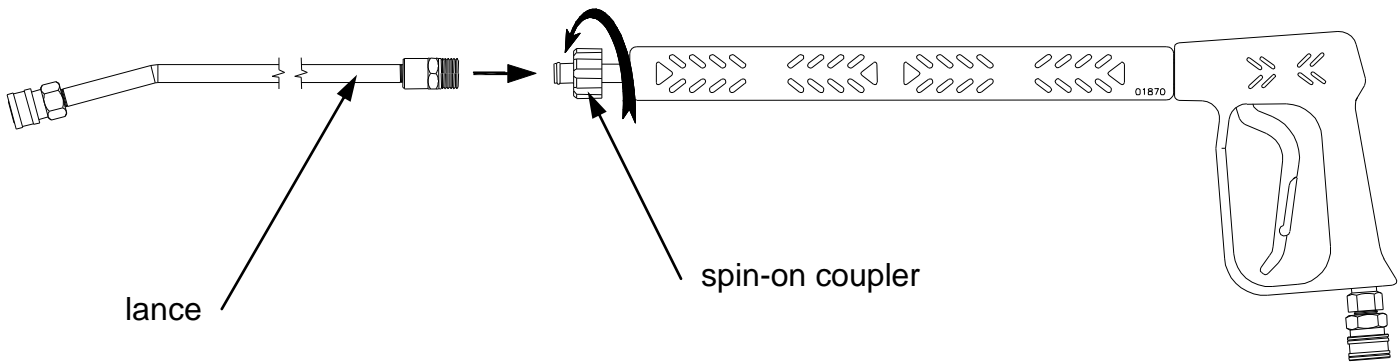


* Note: Depending on model, gun may appear differently.

Attaching the Lance

Tighten spin-on coupler hand tight.

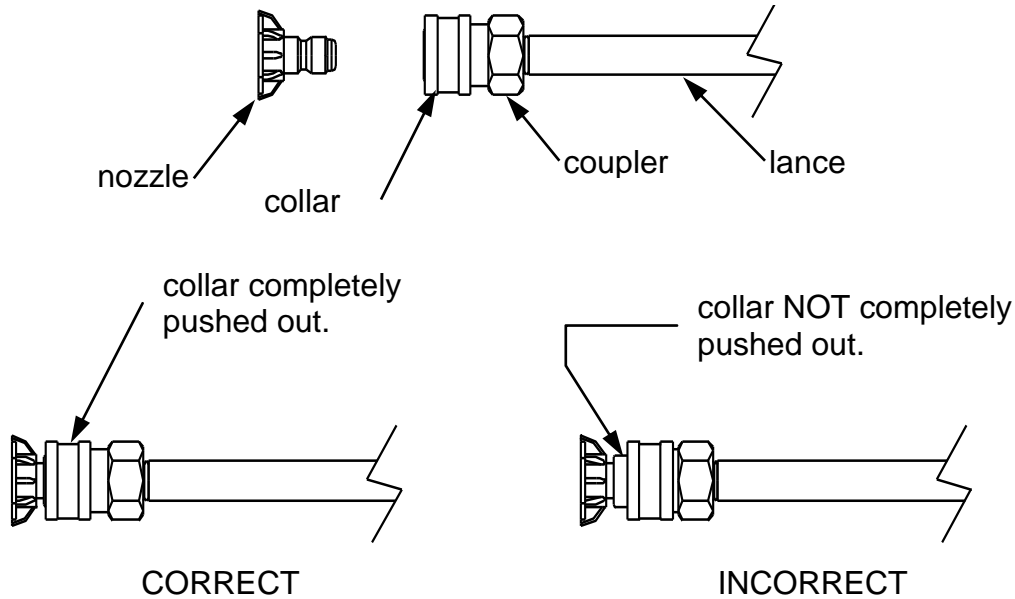
Note: The o-rings make the seal so there is no need to tighten with a wrench.



Installing Nozzles

Operation Instructions

To install a nozzle pull back the collar and push the nozzle into the coupler. Once the connection is made, pull on the nozzle to make sure it is secure.



⚠ WARNING

Flying objects.

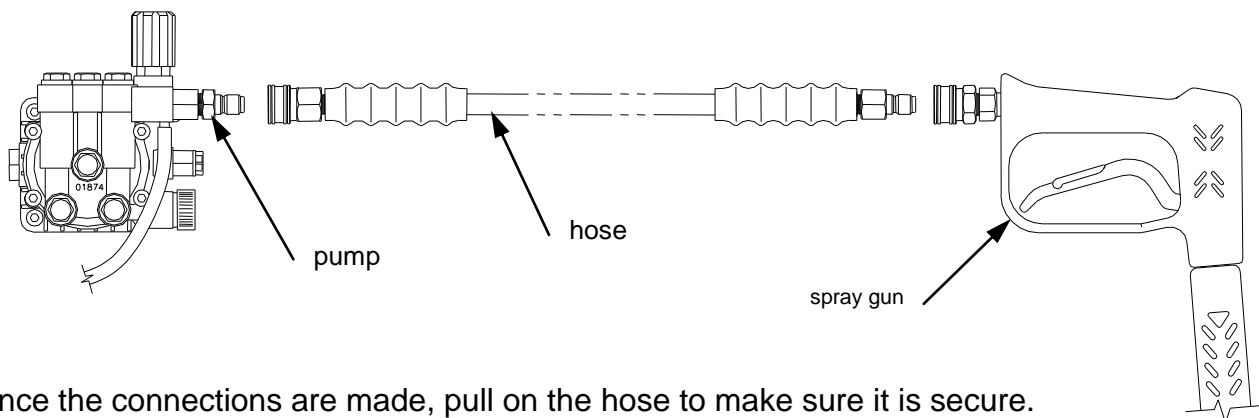
Make sure nozzle is secure before squeezing trigger. If nozzle is not secure it will become a projectile. Serious injury can occur.

fig01864

Attach Quick Connect Couplers

-To install the hose onto the pump, pull back the collar and push the hose into the coupler on the pump.

-To install the hose onto the spray gun, pull back the collar on the spray gun and push the hose into the coupler on the spray gun.

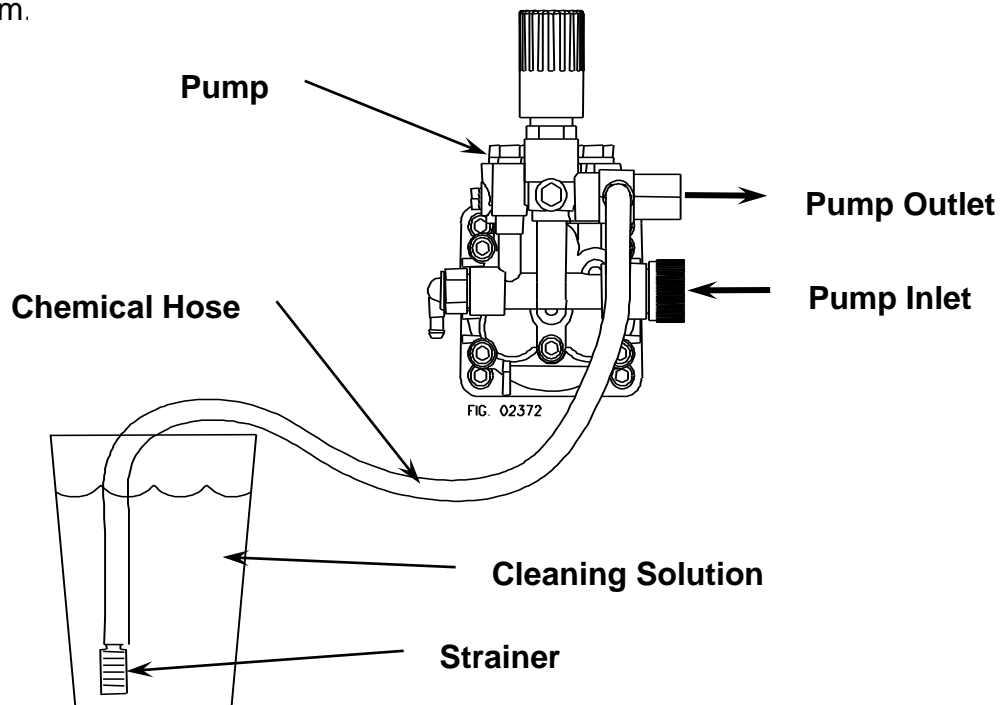


Once the connections are made, pull on the hose to make sure it is secure.

Operation Instructions

Applying Chemicals

- 1.) Install the black nozzle to spray chemicals onto the cleaning surface.
- 2.) Start the pressure washer according to the start-up instructions.
- 3.) Submerge the chemical hose in cleaning solution. (See Pump Component Identification section for chemical injector location.)
- 4.) Squeeze the spray gun trigger. The chemical injector will draw the chemical into the water stream.
- 5.) Apply chemicals evenly onto the cleaning surface. Allow the chemicals to react with the dirt, then clean at high pressure with green nozzle.
- 6.) Never use more chemical than is necessary to clean the surface.
- 7.) To clean the chemical injector, draw water through the strainer until all the chemical is purged from the system.



! WARNING

Risk of exposure to dangerous chemicals.

Serious injury or death can result if chemical manufacturer instructions are not followed.

- Wear protective gloves when handling and cleaning with chemicals.
- Understand all safety hazards and first aid for all chemicals being used.
- When cleaning filters, check if chemicals have been used and take any precautions that are recommended by the chemical manufacturer.
- Different chemicals may interact dangerously with each other, always follow chemical manufacturer directions before switching chemicals.
- Calculate the correct amount of chemical to mix, dispose of excess chemical per the manufacturer instructions.
- Never spray flammable liquids.



Maintenance and Storage

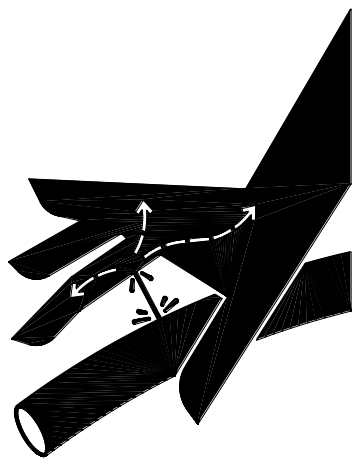
Maintenance Mode

Before performing any maintenance on the pressure washer, it must be placed in maintenance mode.

- 1.) Turn off engine.
- 2.) Turn off water supply.
- 3.) Squeeze trigger to relieve system pressure.
- 4.) Shut off fuel valve.
- 5.) Unplug spark plug wire from spark plug, (see engine owners' manual).

Maintenance Schedule

What to Check	When To Check	What to Do
Inlet Filter	Each Use	Visually inspect and clean inlet filter with clear water.
Pressure Hose	Each Use	Visually inspect pressure hose and hose couplings. Replace hose if any of the following is evident: hose coupling is damaged, wire mesh is exposed or damaged, hose is permanently kinked or flattened, outer hose cover is blistered or loose.
Bolts	Each Use	Tighten any loose bolts.
Engine Oil	See engine manual	See engine manual for oil change instructions
Pump Oil	After 1 st 50hrs, then 3mo/500hr	Change pump oil. See pump oil change instructions on next page.



⚠ WARNING

Skin injection hazard.

High pressure fluid can inject under skin resulting in serious injury including amputation.

- Make sure all fittings are tight before applying pressure. Relieve system pressure before servicing.
- Do not check for leaks with hand. Instead, use a piece of cardboard to check for leaks.
- If skin injection happens, seek immediate "Surgical Treatment".

fig01454

Maintenance and Storage

Pump Oil Change

1) Place a suitable container below the pump to catch the used oil.

VRX: Remove the bolts that connect the pump to the engine. Remove fill cap and rotate pump upside down.

All other pumps: Remove drain plug.

2) Allow the used oil to drain completely.

VRX: Rotate pump to the upright position, and reinstall mounting bolts.

All other pumps: Reinstall drain plug.

3) Please dispose of used oil in a manner that is compatible with the environment. We suggest you take used oil in a sealed container to your local recycling center or service station for reclamation. Do not throw it in the trash, pour it on the ground or down the drain.

4) With the pump in a level position add oil to the pump (see capacities below). For Comet and GNE pumps: Use Universal Tractor Transmission Oil (part# COCP2101) or Mobil1 15W50 synthetic oil. For Cat pumps: Use SAE 30 non-detergent oil or Cat pump oil item # 22158.

VRX: Add specified capacity.

All other pumps: Fill to middle of sight glass.

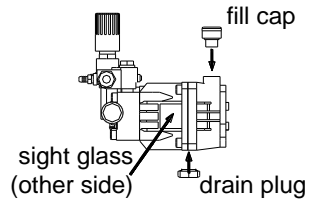
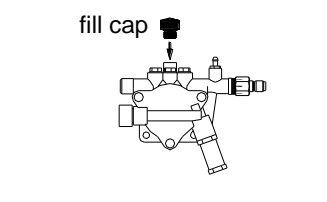
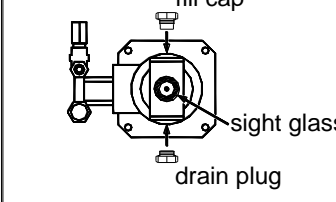
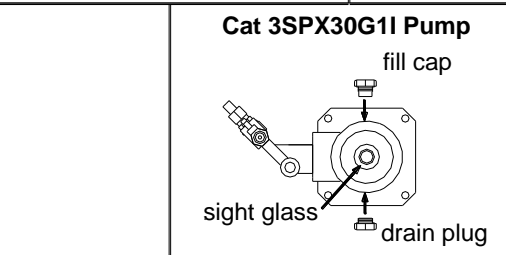
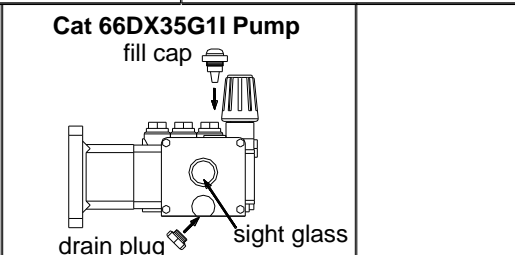
<p>Comet AXD 2530 Pump</p>  <p>Oil capacity: 4.3 oz. (.13L)</p>	<p>Comet VRX 2528G Pump</p>  <p>Oil capacity: 3.4 oz. (.10 L)</p>	<p>Cat 4DNX25GSI Pump</p>  <p>Oil capacity: 8.5 oz. (.25L)</p>
<p>Cat 3SPX30G1I Pump</p>  <p>Oil capacity: 10.2 oz. (.30L)</p>	<p>Cat 66DX35G1I Pump</p>  <p>Oil capacity: 18 oz. (.53L)</p>	

FIG04980

□ Maintenance and Storage

Long Term Storage

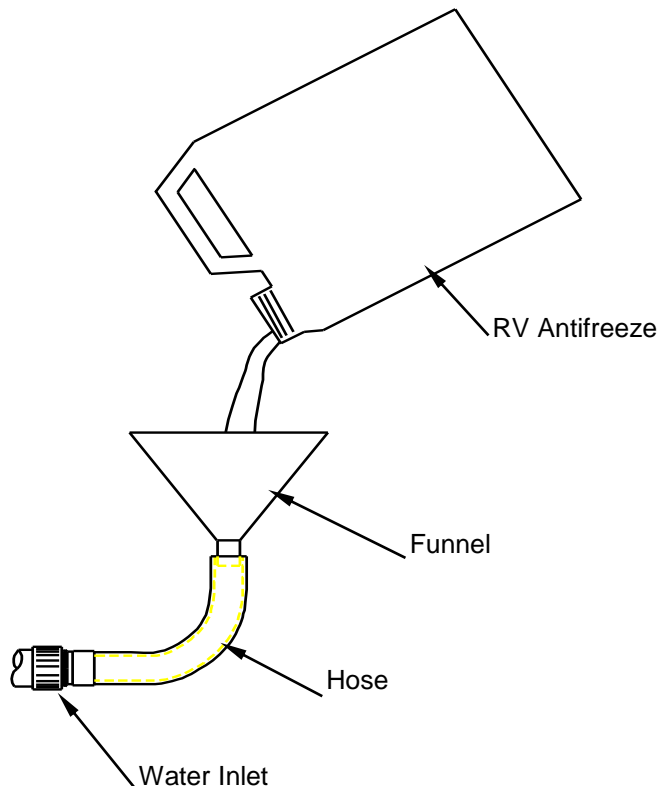
Follow the engine owner's manual for storing the engine.

Winter Storage

Protect your pump, hose, and gun from freezing.

Items needed: 12" piece of garden hose or equivalent, funnel and RV antifreeze (approximately 6 oz.)

- 1.) Follow the storage instructions listed above.
- 2.) Disconnect spark plug cable. Make sure the engine start switch is OFF and the fuel valve is OFF.
- 3.) Attach the garden hose with funnel to the pump inlet (see illustration).
- 4.) Pour RV antifreeze into the funnel, pull the engine recoil until antifreeze comes out the pump outlet.
- 5.) Drain all water from the high pressure hose. Depress trigger on gun and drain all water out of gun/lance.



Troubleshooting

Problem	Solution
Engine will not start	SOLUTION: A,B
Low/Surging pressure or no water flow	SOLUTION: C,D,E,F,G,H
No chemical injection	SOLUTION: I,J,K,L
Cause	Solution
A- Low oil shutdown	See engine manual for oil requirements
B- Engine starting instructions not followed	See engine manual for starting instructions
C- Insufficient water supply	See water supply section of this manual
D- Plugged pump inlet filter	See maintenance section of this manual
E- Wrong nozzle	Make sure high pressure nozzle is being used
F- Plugged nozzle	Remove nozzle, check for blockage
G- Worn nozzle	Replace nozzle
H- Leak in pressure hose	Replace pressure hose
I- Wrong nozzle	Make sure chemical nozzle is being used
J- Back pressure from extra long discharge hose	Try shorter hose
K- Leak in chemical siphon hose	Replace hose – use hose clamps if necessary
L- Chemical strainer not submerged	Make sure strainer is completely submerged

The manufacturer reserves the right to make improvements in design and/or changes in specifications at any time without incurring any obligation to install them on units previously sold.

Any Questions, Comments, Problems or Parts Orders
Call GNE Product Support 1-800-822-0295

Specifications

1578172GN

PSI (bar)	3000 (207)
GPM (l/min)	2.5 (9.4)
Max Water Temp	140°F (60°C)
Noise Level	78 dB
Dimensions L x W x H	34" x 21" x 38" (864mm x 534mm x 965mm)
Weight	96 lb (44kg)

1578182GN

PSI (bar)	3300 (227)
GPM (l/min)	3.0 (11.3)
Max Water Temp	140°F (60°C)
Noise Level	82 dB
Dimensions L x W x H	34" x 21" x 38" (864mm x 534mm x 965mm)
Weight	123 lb (55.8 kg)

1578202GN

PSI (bar)	4000 (275)
GPM (l/min)	3.5 (13.2)
Max Water Temp	140°F (60°C)
Noise Level	82 dB
Dimensions L x W x H	34" x 21" x 38" (864mm x 534mm x 965mm)
Weight	147 lb (66.7 kg)

1577544GN

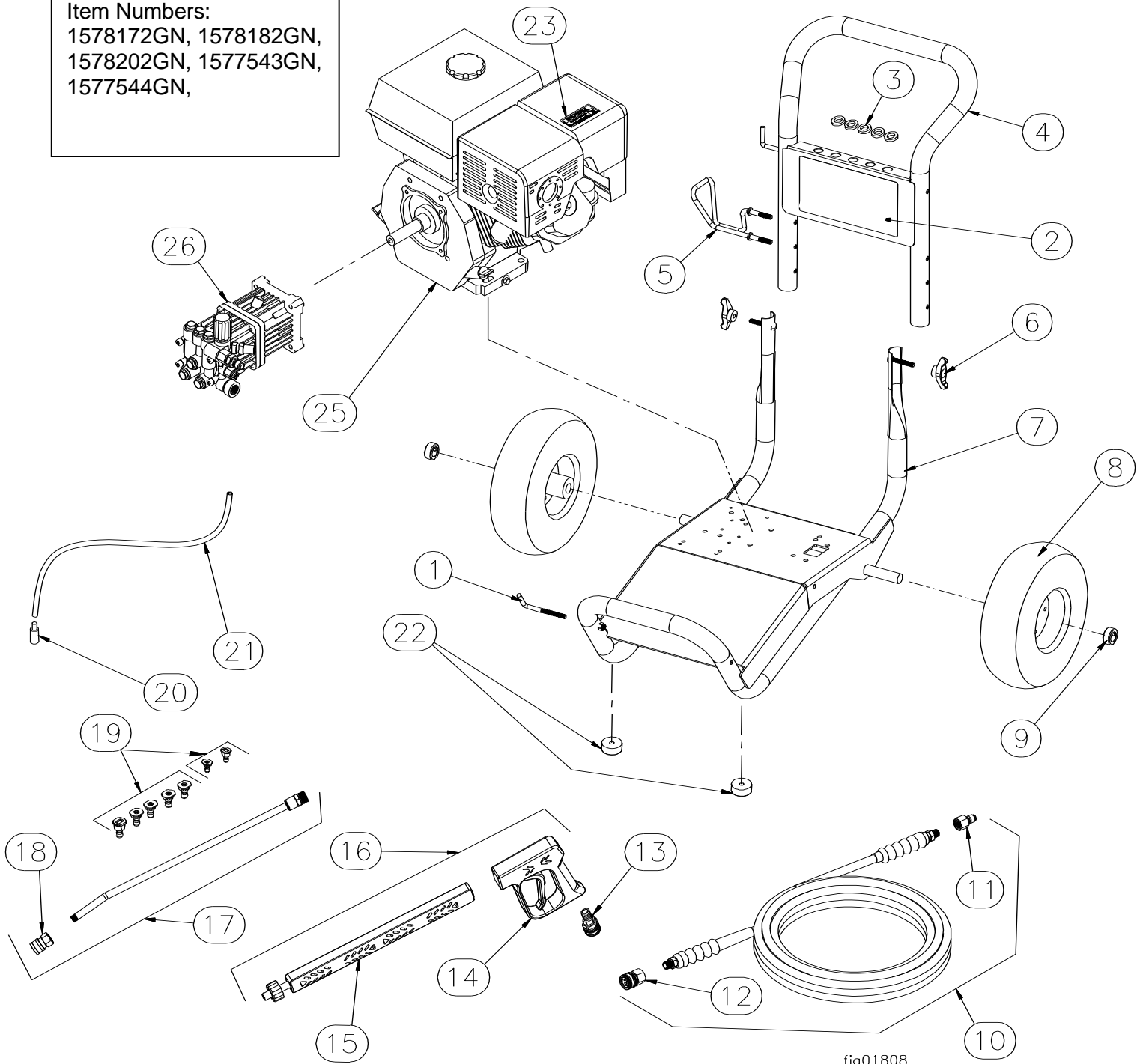
PSI (bar)	3000 (207)
GPM (l/min)	2.5 (9.4)
Max Water Temp	140°F (60°C)
Noise Level	82 dB
Dimensions L x W x H	34" x 21" x 38" (864mm x 534mm x 965mm)
Weight	83 lbs (37.6 kg)

1577543GN

PSI (bar)	2800 (193)
GPM (l/min)	2.5 (9.4)
Max Water Temp	140°F (60°C)
Noise Level	75 dB
Dimensions L x W x H	34" x 21" x 38" (864mm x 534mm x 965mm)
Weight	77 lbs (35 kg)

Parts Exploded View-Rev C

Item Numbers:
1578172GN, 1578182GN,
1578202GN, 1577543GN,
1577544GN,

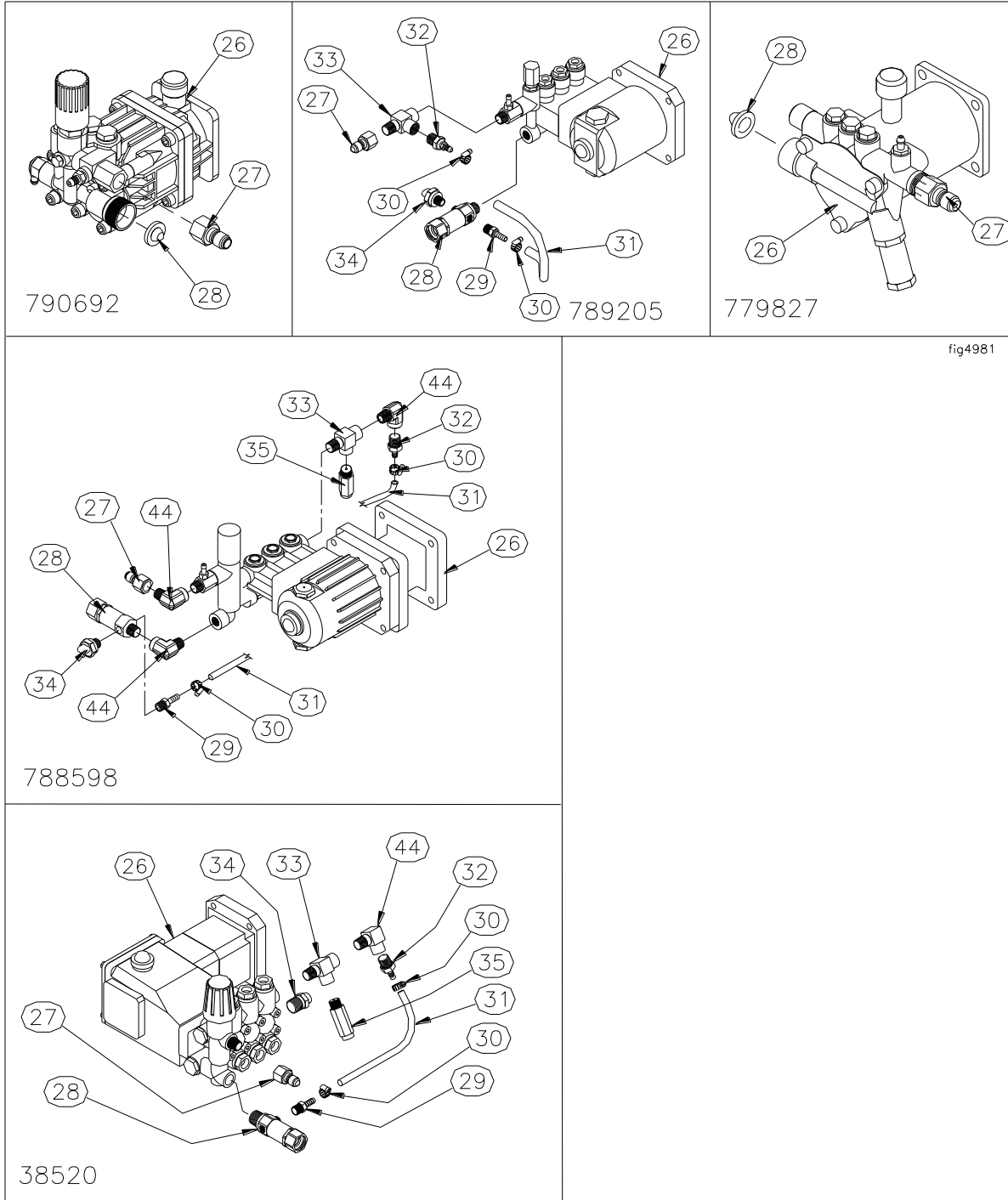


* Depending on model, components may appear differently.

Parts Exploded View-Rev C

REF#	PART#	DESCRIPTION	QTY	MODEL
1	38509	Gun Hook	1	All
2	789541GN	Decal	1	All
3	35198	Grommet	5	All
4	780223GB	Handle	1	All
5	779761	Hose hook	1	All
6	38578	Knob	2	All
7	779924GB	Base	1	All
8	12278	Wheel	2	All
9	305200	Wheel Retainer	2	All
10	38525	50' Pressure Hose	1	1578172GN, 1578182GN, 1578202GN
	38524	25' Pressure Hose		1577543GN, 1577544GN
11	777915	Hose Quick Couple Nipple	1	All
12	777914	Hose Quick Coupler	1	All
13	780455	Spray Gun Quick Coupler	1	All
14	779168	Spray Gun Handle	1	1578172GN, 1578182GN, 1578202GN
15	22622	Lance w/ Quick Connect	1	1578172GN, 1578182GN, 1578202GN,
16	779165	Spray Gun	1	1578172GN, 1578182GN, 1578202GN,
	38527			1577543GN, 1577544GN
17	779166	Lance	1	All
18	777904	Nozzle Quick Coupler	1	All
19	38530	Nozzle 2 Pack #3.0	1	1577543GN, 1577544GN
	38531	Nozzle 5 Pack #3.0		1578172GN
	38532	Nozzle 5 Pack #3.5		1578182GN, 1578202GN
20	221222	Chemical Strainer	1	All
21	777165	Braided Chemical Hose (sold by foot)	4 ft	All
22	2215	Rubber Foot	2	All
23	781026	Burn Hazard Decal	1	All
25	GNEGX160	Honda GX 160 Engine	1	1578172GN
	GNEGX270	Honda GX 270 Engine		1578182GN
	GNEGX390	Honda GX 390 Engine		1578202GN
	GNEGC160	Honda GC 160 Engine		1577543GN
	GNEGC190	Honda GC 190 Engine		1577544GN
26	790692	Comet AXD 2530G Pump	1	1577544GN
	789205	Cat 4DNX Pump		1578172GN
	788598	Cat 4SPX Pump		1578182GN
	38520	Cat 66DX Pump		1578202GN
	779827	Comet VRX Pump		1577543GN

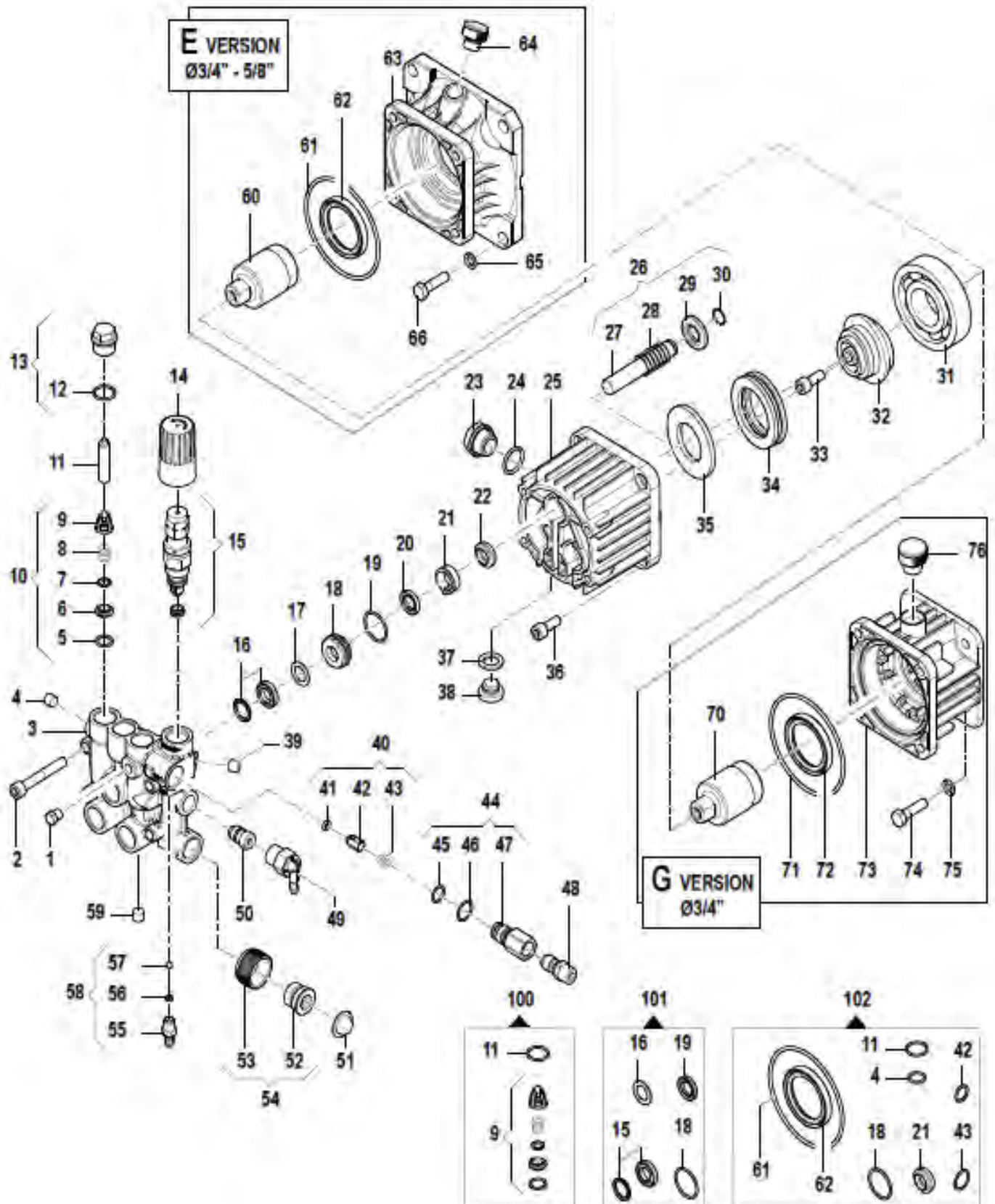
Pump Explosions



Pump Explosions-cont'd

REF#	PART#	DESCRIPTION	QTY	MODEL
26	790692	Comet AXD 2530G Pump	1	1577544GN
	789205	Cat 4DNX Pump		1578172GN
	788598	Cat 3SPX Pump		1578182GN
	38520	Cat 66DX Pump		1578202GN
	779827	Comet VRX 2528G Pump		1577543GN
27	777915	Quick Connect Outlet Plug	1	All
28	4027	Inlet Filter Washer	1	1577543GN
	38596	3/8" Inlet Filter		1578172GN,1578182GN
	35169	1/2" Inlet Filter		1578202GN
29	777340	1/4" x 1/4" Hose Barb Fitting	1	1578172GN,1578202GN
30	777834	1/4" Hose Clamp	2	1578172GN,1578182GN, 1578202GN
31	777165	1/4" PVC Hose <small>(sold by foot)</small>	1 ft	1578172GN,1578182GN, 1578202GN
32	38584	Easy Start Valve	1	1578172GN,1578182GN, 1578202GN
33	777347	3/8" Street Tee	1	1578172GN,1578182GN, 1578202GN
34	35918	Thermal Valve	1	1578172GN,1578182GN
	777836			1578202GN
35	777376	Pop Off Valve	1	1578182GN, 1578202GN
44	777410	3/8 Street elbow	3	1578182GN
			1	1578202GN

Comet AXD Pump Exploded View

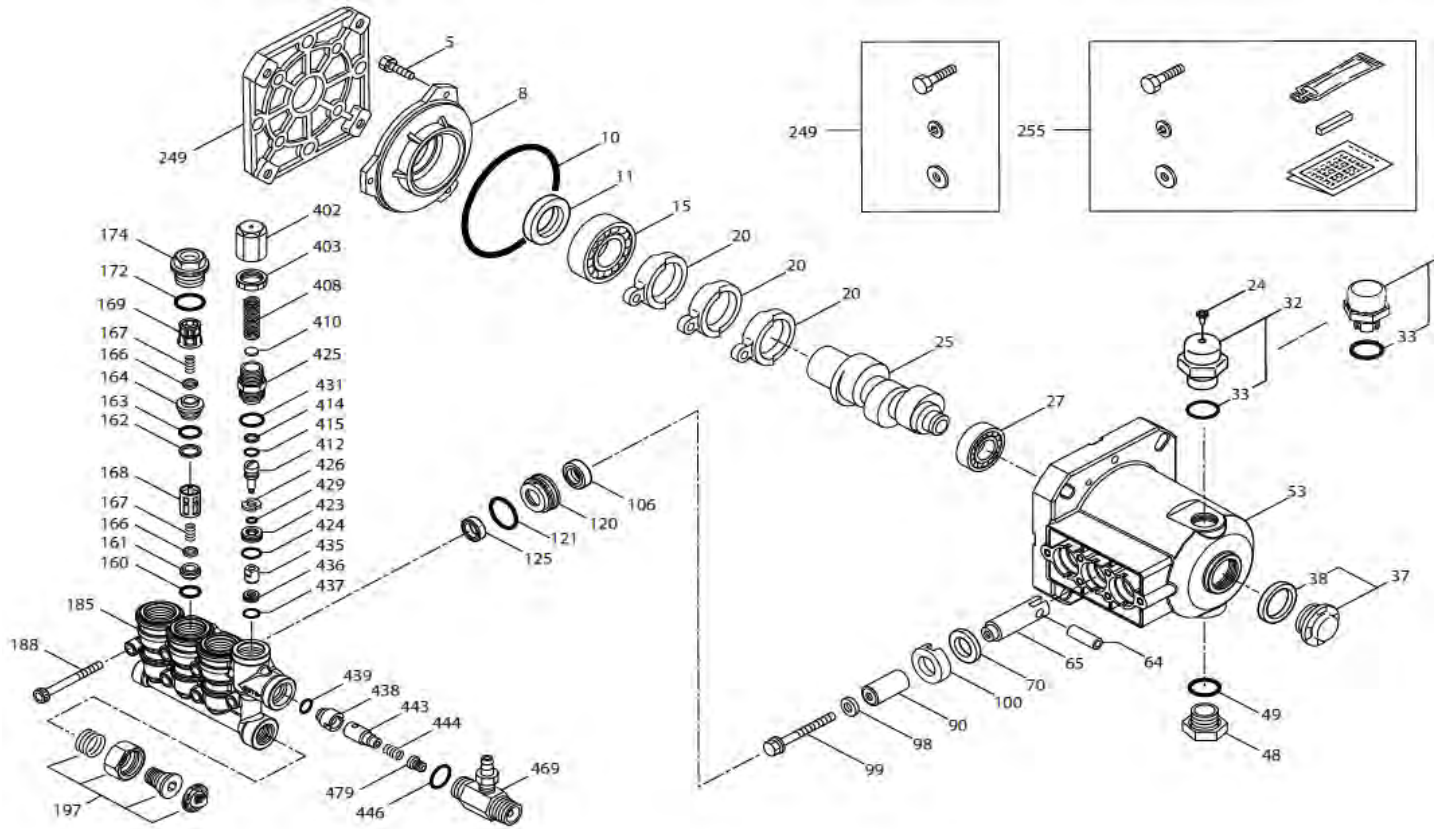


Comet AXD Pump Exploded View

Ref #	Part #	Description	Qty
1	CO3202001800	CAP	1
2	CO3609001400	SCREW, M8 X 55	4
3	NOT AVAILABLE	MANIFOLD	1
4	CO3202001800	CAP	1
5	CO1210004900	O-RING,OIL PLUG - WOBBLE PUMP	6
6	SEE PART # 10	VALVE SEAT	6
7	CO3604002800	SUCTION/DEL. VALVE	6
8	CO1802019200	SPRING, AXD	6
9	CO1205003300	VALVE CAGE, AXD	6
10	CO1220004500	VALVE - AXD PUMP	6
11	CO0601027300	AXD SPACER	2
12	CO1210015100	O-RING, AXD3020	6
13	CO3202031100	VALVE CAP & O-RING	6
14	CO1817006400	HANDLE	1
15	CO1215058500	REG.VALVE KIT & SEAT	1
16	CO1241005900	PACKING - GXD1617	3
17	CO0009036900	RING	3
18	CO0009021900	RING(RETAINER) - WOBBLE PUMP	3
19	CO1210035600	O-RING,SEAL CONTAINER - WOBBLE	3
20	CO1241005700	BACK PACKING	3
21	CO0601030800	OIL SEAL SPACER	3
22	CO0019005800	SEALING RING(OIL) - WOBBLE PLA	3
23	CO3201002700	OIL SIGHT GLASS	1
24	CO1210004800	O-RING, 2.62 X 20.24MM	1
25	NOT AVAILABLE	PUMP CRANKCASE	1
26	CO2409015600	PISTON KIT	3
27	CO1802015300	SPRING, AXD	3
28	CO2409008900	PISTON - AXD3020G	3
29	CO0009022100	RING FOR AXD	3
30	CO0009022000	14MM RING FOR AXD	3
31	CO0438007600	BALL BEARING - AXD	1
32	CO0001041700	ECCENTRIC SHAFT - AXD	1
33	CO3609000500	SCREW, M8 X 20 - AXD	1
34	CO0436001700	BEARING	1
35	CO2816008800	THRUST BEARING	1
36	CO3609002800	SCREW M8 X 22	4
37	CO1209011700	GASKET -2527	1
38	CO3200009600	PLUG 1/4"	1

Ref #	Part #	Description	Qty
39	CO3200001700	PORT PLUG, AXD COMET PUMP	1
40	CO2409009100	PISTON CHECK VALVE KIT,AXD UNL	1
41	CO1210046000	O-RING	1
42	CO2409008600	CHECK VALVE	1
43	CO1802019700	SPRING	1
44	CO3410034800	INJECTOR BODY KIT	1
45	CO1210004900	O-RING,OIL PLUG - WOBBLE PUMP	1
46	CO1210004000	O-RING, AXD	1
47	CO3410032900	INJECTOR BODY	1
48	CO2803043700	OUTLET FITTING, QUICK CONN.-WO	1
49	CO1215035400	THERMOVALVE	1
50	CO0608003000	KIT EASY START	1
51	CO8102045000	FILTER WASHER	1
52	CO1223010800	GARDEN HOSE NUT	1
53	SEE PART # 54	SPECIAL COUPLING - NLA	1
54	CO2800051100	GARDEN HOSE TAIL W/WING NUT	1
55	SEE PART # 58	CHEM. COUPLING	1
56	CO3003002400	BALL FOR CHEMICAL INJECTOR	1
57	CO1802018000	SPRING FOR CHEMICAL INJECTOR	1
58	CO2803043500	CHEMICAL INJECTOR KIT	1
59	CO3200001700	PORT PLUG, AXD COMET PUMP	1
70	CO0001039500	DRIVESHAFT	1
71	CO1210042900	O-RING FOR AXD	1
72	CO0019003400	SEALING RING - AXD PUMP	1
73	NOT AVAILABLE	SUPPORT	1
74	CO3607016800	HEXAGONAL SCREW	4
75	CO2811000200	WASHER	4
76	CO3200007100	OIL PLUG	1
100	CO5025001400	VALVE KIT - AXD3020G	1
101	CO5019007700	SEAL KIT - AXD3020G	1
102	CO5019007900	SEAL KIT, AXD	1

Pump Exploded View- Cat 4DNX Pump



Ref#	P/N	DESCRIPTION	QTY
5	Not Available	Screw	3
8	CA547153	Bearing Cover	1
10	CA14041	O-Ring, Bearing Cover	1
11	CA55337	Oil Seal	1
15	CA14488	Inner Ball Bearing	1
20	CA547048	Connecting Rod	3
24	Not Available	Oil Plug Cap	1
25	CA549446	Crankshaft	1
27	CA56084	Ball Bearing	1
32	CA547961	Cap	1
33	CA14179	O-ring for Oil Filter Cap	1
37	CA92241	Gauge, Bubble Oil w/Gasket	1
38	CA44428	Gasket, Flat Flex Oil Gauge	1
48	CA44842	Drain Plug	1
49	CA14179	O-Ring for Drain Plug	1
53	Not Available	Crankcase	1
64	CA46229	Crosshead Pin	3
65	CA542402	Plunger Rod	3
70	CA47215	Oil Seal	3
90	CA547091	Plunger	3
98	CA46730	Washer	3
99	CA542405	Retainer, Plunger	3
100	CA46233	Retainer, Seal	3

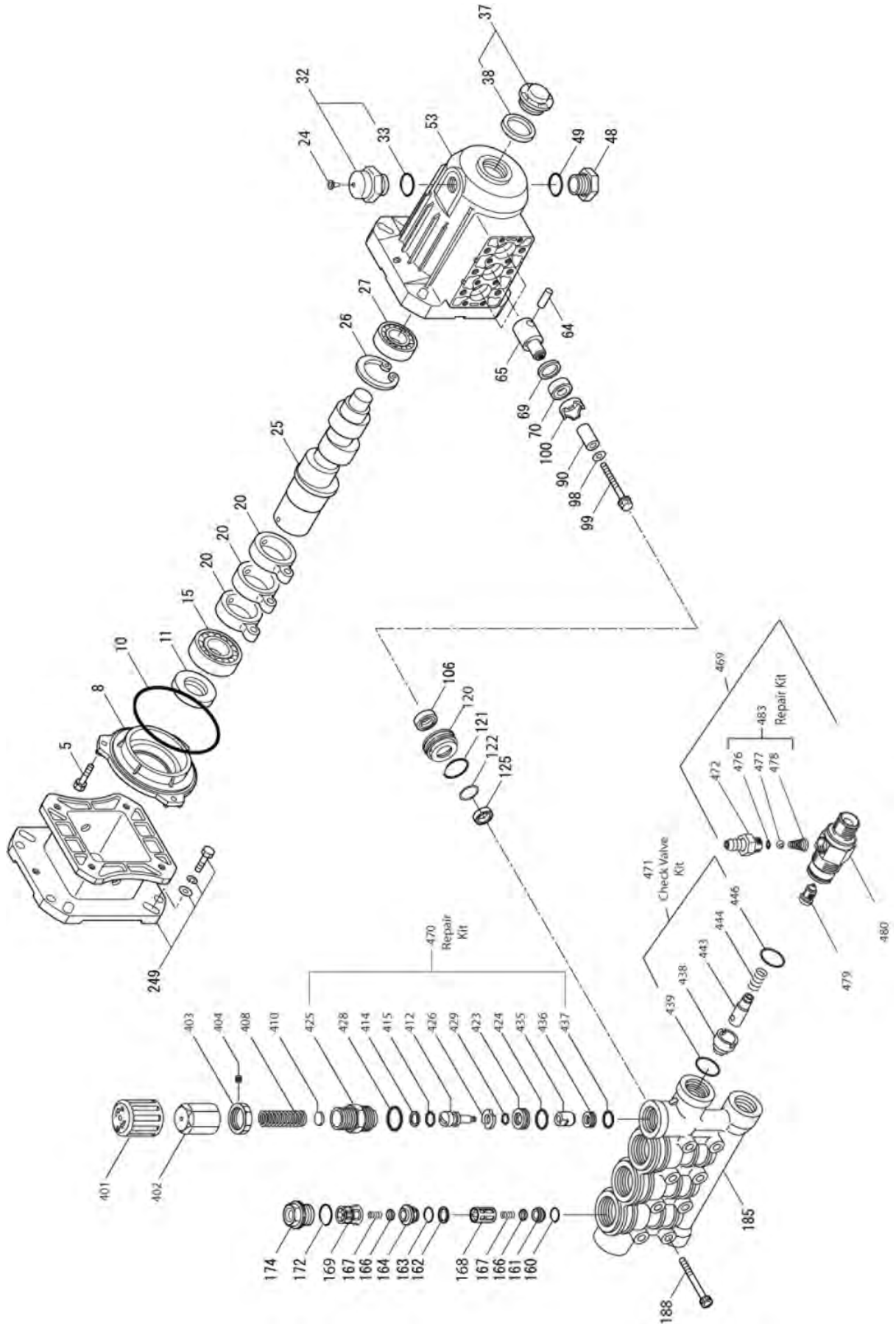
Ref#	P/N	DESCRIPTION	QTY
106	Kit #1	Seal	3
120	Not Available	Seal Case	3
121	CA13976	O-Ring for Seal Case	3
125	Kit #1	Seal	3
160	CA17428	O-Ring, Inlet	3
161	CA547077	Seat, Inlet	3
162	CA48361	Back-up Ring	3
163	CA43358	O-Ring	3
164	CA547076	Seat, Discharge	3
166	CA547098	Valve	6
167	CA46865	Spring	6
168	CA543988	Retainer, Spring, Inlet	3
169	Kit #2	Retainer, Spring, Discharge	3
172	CA142807	O-Ring for Plug	3
174	CA547104	Plug, Valve w/o-ring	3
185	Not Available	Head, Manifold w/Unloader Body	1
188	Not Available	Screw	6
197	CA941516	Inlet Fitting Assembly	1
249	CA30520	Adapter Mount Assembly	1
255	CA30516	Bolt Mount Assembly	1
469	CA7332	Chemical Fixed Injector	1

KITS

Kit#1	CA76975	Seal Kit: Incls: 98, 106, 121, 125	1
Kit#2	CA76976	Valve Kit: Incls: 160, 161, 162, 163, 164, 166, 167, 168, 169, 172	1

One Kit will Complete One Pump

Pump Exploded View- Cat 66DX

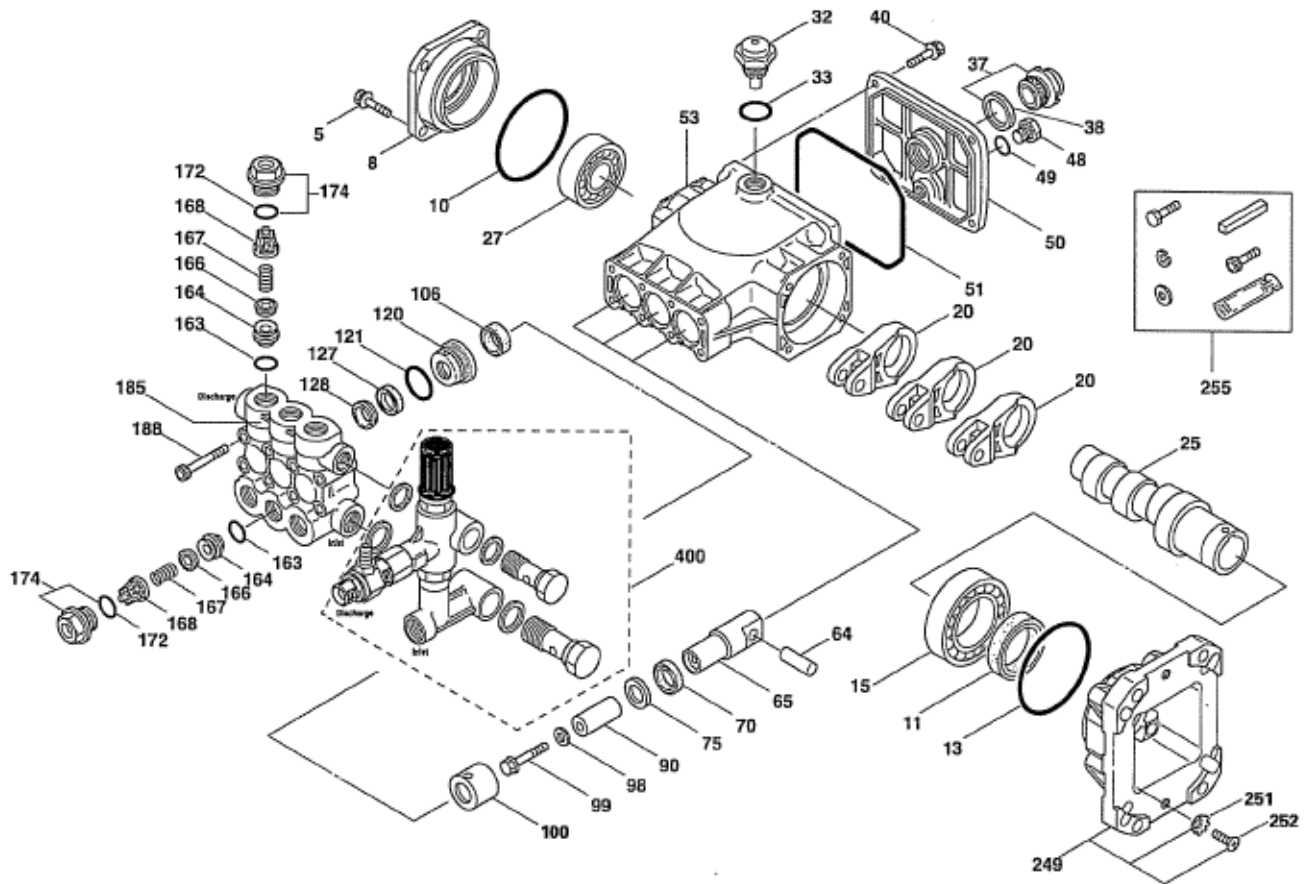


Pump Exploded View- Cat 66DX

Ref#	P/N	DESCRIPTION	QTY
5	Not Available	Screw	3
8	CA547084	Bearing Cover	1
10	CA14041	O-Ring, Bearing Cover	1
11	CA125351	Oil Seal	1
15	Not Available	Inner Ball Bearing	1
20	CA547020	Connecting Rod	3
24	Not Available	Oil Plug Cap	1
25	Not Available	Crankshaft	1
26	Not Available	Ring, Retaining	1
27	CA15710	Ball Bearing	1
32	CA547961	Cap	1
33	CA14179	O-ring, 70D (for Oil Filter Cap)	1
37	CA92241	Gauge, Bubble Oil w/Gasket	1
38	CA44428	Gasket, Flat Flex Oil Gauge	1
48	CA44842	Drain Plug	1
49	CA14179	O-Ring, 70D (for Drain Plug)	1
53	Not Available	Crankcase	1
64	CA16948	Crosshead Pin	3
65	CA548872	Plunger Rod	3
69	CA126259		
70	CA25301	Oil Seal	3
90	CA547091	Plunger	3
98	CA46730	Washer	3
99	CA542405	Retainer, Plunger	3
100	CA44869	Retainer, Seal	3
106	CA45188	Seal	3
120	CA49942	Seal Case	3
121	CA13977	O-Ring for Seal Case	3
122	CA49943	Ring, Support	3
125	CA49824	Seal	3
160	CA17428	O-Ring, Inlet	3
161	CA547077	Seat, Inlet	3
162	CA48361	Back-up Ring	3
163	CA43358	O-Ring	3
164	CA547076	Seat, Discharge	3
166	CA547098	Valve	6
167	CA46865	Spring	6
168	CA543988	Retainer, Spring, Inlet	3
169	CA49764	Retainer, Spring, Discharge	3
172	CA142807	O-Ring for Plug	3
174	CA547104	Plug, Valve w/o-ring	3
185	Not Available	Head, Manifold w/Unloader Body	1

Ref#	P/N	DESCRIPTION	QTY
188	Not Available	Screw	6
249	CA31643	Adapter Mount Assembly	1
401	CA547797	Handle, Adjusting	1
402	CA547798	Adjusting Cap	1
403	CA548671	Lock Nut	1
404	CA548675	Screw, Set	1
408	CA32094	Pressure Spring	1
410	CA549352	Spring Retainer	1
412	CA45694	Piston Stem	1
414	CA20184	Back Up Ring	1
415	CA14190	O-Ring, Piston Stem	1
423	CA46249	Retainer Valve	1
424	CA13966	O-Ring, Valve Retainer (Outer)	1
425	CA547799	Piston Retainer	1
426	CA46250	Washer	1
428	CA26133	O-Ring, 80D (for Piston Retainer)	1
429	CA17399	O-Ring, Valve Retainer (Inner)	1
435	CA547800	Valve	1
436	CA49664	Seat	1
437	CA13963	O-Ring, 70D (for Seat)	1
438	CA46254	Seat, Check Valve	1
439	CA13963	O-Ring, 70D (for Check Valve Seat)	1
443	CA547826	Valve, Check	1
444	CA45924	Spring	1
446	CA26133	O-Ring, 70D (for Body)	1
469	CA7332	Chemical Fixed Injector	1
470	CA76179	Unloader Repair Kit Incls: 412, 414, 415, 423, 424, 425, 426, 429, 431, 435, 436, 437	1
471	CA76146	Check Valve Kit Incls: 438, 439, 443, 444, 446	1
472	Not Available	Barb	1
476	See # 483	O-ring, Barb	1
477	See # 483	Ball	1
478	See # 483	Spring	1
479	Not Available	Orifice	1
480	Not Available	Body	1
483	CA76176	Kit, Repair Incls: 476, 477, 478	1
Kit #1	CA76977	Seal Kit Incls: 98, 106, 121, 125	1
Kit #2	CA76976	Valve Kit Incls: 160, 161, 162, 163, 164, 166, 167, 168, 169, 172	1
Kit #3	CA31767	O-Ring Kit Incls: 414, 415, 424, 429, 437, 439, 446)	1

Pump Exploded View- Cat 66DX



PARTS LIST

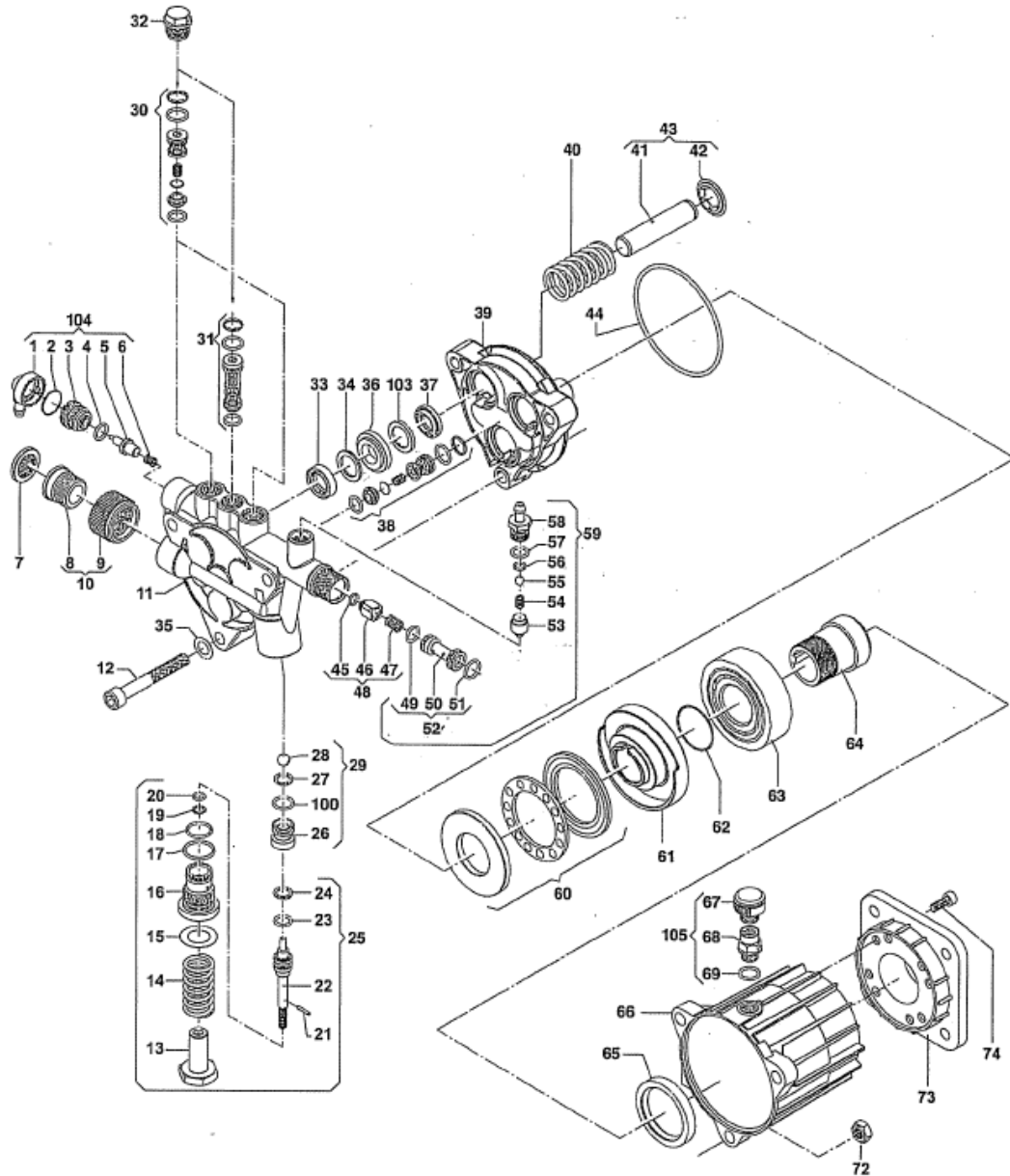
ITEM	P/N	MATL	DESCRIPTION	QTY	ITEM	P/N	MATL	DESCRIPTION	QTY
5	92519	STZP	Screw, HHC (M6x16)	4	106	45188	NBR	Seal, LPS w/S-Spg	3
	125824	STCP R	Screw, HHC (M6x16)	4	120	48759	BB	Case, Seal	3
8	48259	AL	Cover, Bearing	1	121	13980	NBR	O-Ring, Seal Case - 70D	3
10	14028	NBR	O-Ring, Bearing Cover - 70D	1	127	48758	SNG	V-Packing	3
11	125351	NBR	Seal, Oil, Crankshaft - 70D	1		49201	STG	V-Packing	3
13	14037	NBR	O-Ring, Bearing Cover - 70D	1	128	48757	NY	Adapter, Male	3
15	146421	STL	Bearing, Ball - Inner	1	163	17547	NBR	O-Ring, Seat - 85D	6
20	48843	TNM	Rod, Connecting	3	164	45790	S	Seat	6
25	48970	CM	Crankshaft (8.6 mm) 30G11	1	166	46429	S	Valve	6
	48977	CM	Crankshaft (10.0 mm) 35G11	1	167	43750	S	Spring	6
	48839	CM	Crankshaft (11.4 mm) 40G11	1	168	46583	NY	Retainer, Spring	6
27	14480	STL	Bearing, Ball - Outer	1	172	17616	NBR	O-Ring, Valve Plug - 80D	6
32	45798	—	Cap, Domed, Oil Filler	1	174	48760	BB	Plug, Valve w/O-Ring	6
33	14179	NBR	O-Ring, Filler Cap - 70D	1	185	48846	BB	Head, Manifold	1
37	92241	—	Gauge, Oil Bubble w/Gasket	1	188	87870	STZP	Screw, HSH (M8x65)	8
38	44428	NBR	Gasket, Flat, Oil Gauge - 80D	1		126512	STCP R	Screw, HSH (M8x65)	8
40	92519	STZP	Screw, HHC (M6x16)	4	249	48841	AL	Flange Mount	1
	125824	STCP R	Screw, HHC (M6x16)	4	251	46123	STZP	Lockwasher, Conical (M8)	4
48	25625	STCP	Plug, Drain (1/4"x19BSP)	1		126746	STCP R	Lockwasher, Conical (M8)	4
49	23170	NBR	O-Ring, Drain Plug - 70D	1	252	46403	STZP	Screw, FH (M8x25)	4
50	48862	AL	Cover, Rear	1	255	30510	STZP	Assy, Bolt Mount	1
51	14048	NBR	O-Ring, Rear Cover - 70D	1		34100	STZP	Screw (3/8-16x1-3/8")	4
53	48830	AL	Crankcase	1		30921	STZP	Lockwasher (3/8")	4
64	46404	CM	Pin, Crosshead	3		30980	STZP	Washer, Flat (3/8")	4
65	48845	BB	Rod, Plunger	3		6106	—	Antiseize Lubricant	1
70	48911	NBR	Seal, Oil, Crankcase	3		45217	STL	Key (1/4"x1/4"x2-1/2") HD	1
75	48754	NBR	Slinger, Barrier - 70D	3		87788	STZP	Screw, Set (M5x8)	1
90	48752	CC	Plunger (M14x47)	3		126761	STCP R	Screw, Set (M5x8)	1
98	46730	NBR	Washer Seal, Plunger Retainer - 90D	3	300	34262	NBR	Kit, Seal (Incls: 98,106,121,127,128)	1
99	† 48201	SSL	Retainer, Plunger	3	310	34260	NBR	Kit, Valve (Incls: 163,164,166,167,168,172)	2
100	48755	NY	Retainer, Seal	3	400	7800	BB	Unloader Assembly w/Fixed Injector	1

Italics are optional items. R Components comply with RoHS Directive. † Production parts are different than replacement parts.

See Tech Bulletins 024, 060, 074 and 083 for additional information.

MATERIAL CODES (Not Part of Part Number): AL=Aluminum BB=Brass CC=Ceramic CM=Chrome-moly NBR=Medium Nitrile (Buna-N) NY=Nylon S=304SS SNG=Special Blend (Buna) SSL=316SS/Low Carbon STCP=Steel/Chrome Plated STL=Steel STZP=Steel/Zinc Plated TNM=Special High Strength

Pump Exploded View- Comet VRX



Ref #	Code	Description	Qty
1	2801 0079	Thermo Valve Cover	1
2	1210 0218	O-Ring	1
3	0424 0402	Thermal Valve Body	1
4	1210 0475	O-Ring	1
5	3230 0031	Sensor	1
6	1802 0217	Spring	1
7	1002 0116	Suction Filter	1
8	2803 0395	Quick Coupler	1
9	1223 0093	Wing Nut	1
10	2800 0096	Straight Hose Tail Kit	3
11	3218 0351	Pump Manifold	1

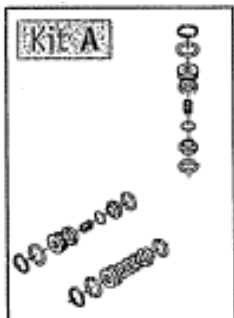
Ref #	Code	Description	Qty
39	2432 0018	Pump Crankcase	1
40	1802 0213	Piston Spring	3
41	2409 0099	Piston	3
42	0009 0267	Ring	3
43	5026 0260	Piston Kit	3
44	1210 0391	O-Ring	1
45	1210 0463	O-Ring	1
46	2409 0102	Check Valve	1
47	1802 0218	Spring	1
48	5026 0262	Check Valve Kit	1
49	1210 0465	O-Ring	1

Pump Exploded View- Comet VRX

12	3609 0195	Screw	3
13	3202 0276	Plug	1
14	1802 0219	Regulation Valve Spring	1
15	2811 0117	Washer	1
16	3605 0104	Special Screw	1
17	1210 0392	O-Ring	1
18	1210 0470	O-Ring	1
19	0009 0272	Ring	1
20	1210 0055	O-Ring	1
21	3021 0034	Elastic Pin	1
22	0015 0187	Valve Rod	1
23	1210 0465	O-Ring	1
24	0009 0112	Backup Ring	1
25	1215 0334	Regulation Valve Kit	1
26	3009 0136	Regulation Valve Seal	1
27	1210 0170	O-Ring	1
28	3003 0032	Ball	1
29	5026 0269	Regulation Valve Seat Kit	1
30	1220 0061	Delivery Valve	2
31	1220 0062	Delivery Valve	1
32	3302 0279	Plug	3
33	1241 0068	Packing	3
34	0009 0274	Anti-Extr. Ring	3
35	2811 0004	Washer	3
36	0009 0270	Packing Retainer	3
37	0019 0111	Oil Seal	3
38	1220 0061	Suction Valve	3

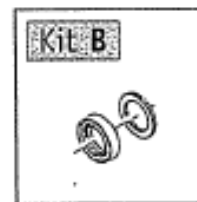
50	0801 0066	Detergent Injector	1
51	1210 0170	O-Ring	1
52	1410 0322	Detergent Injector Kit	1
53	0204 0051	Bushing	1
54	1802 0216	Spring	1
55	3003 0033	Ball	1
56	1210 0466	O-Ring	1
57	1210 0465	O-Ring	1
58	2800 0104	Detergent Straight Hose Tail	1
59	5026 0261	Complete Detergent Kit	1
60	0436 0020	Axial Ball Bearing	1
61	0001 0460	Thru-Eccentric Shaft	1
62	1210 0394	O-Ring	1
63	0438 0081	Ball Bearing	1
64	0031 0012	Pump Crankshaft	1
65	0019 0112	Oil Seal	1
66	0403 0156	Pump Crankcase	1
67	3200 0071	Plug	1
68	2417 0064	Extension	1
69	1210 0492	O-Ring	1
72	0604 0015	Nut	3
73	3016 0042	Support	1
74	3625 0062	Screw	4
100	0009 0225	Anti-Extr. Ring	1
103	3000 0781	Oil Seal Spacer	3
104	5026 0276	Thermo Valve Kit	1
105	3200 0093	Oil Tap Kit	1

Complete Valve Kit (50260270)



Part #	Code	Qty
30	1220 0061	2
31	1220 0062	1
38	1220 0061	3

Piston Seal Kit (502602556)



Part #	Code	Qty
33	1241 0068	3
34	0009 0274	3

Limited Warranty

Dear Valued Customer:

The GNE Product you just purchased is built with the finest material and craftsmanship. Use this product properly and enjoy the benefits from its high performance. By purchasing a GNE product, you show a desire for quality and durability. Like all mechanical equipment this unit requires a due amount of care. Treat this unit like the high quality piece of machinery it is. Neglect and improper handling may impair its performance. Please thoroughly read the instructions and understand the operation before using your product.

Limited Warranty

GNE shall warranty any piece of equipment manufactured for, or parts of equipment manufactured for GNE, to be free from defects in material or workmanship for a period of:

Item #	Warranty Period
1577543, 1577544	2 years for noncommercial/nonrental use and a period of 90 days for commercial/rental use from the date of purchase by user
1578172, 1578182, 1578202	2 years from date of purchase by user

GNE shall warranty any wear item, including, but not limited to, valves, seals, pump diaphragms, hoses, and filter elements to be free from defects in material or workmanship for a period of 90 days from the date of purchase by user. This warranty applies to the original purchaser of the equipment and is non transferable. Verification of purchase is the responsibility of the buyer. Parts will be replaced or repaired at no charge, except when the equipment has failed due to lack of proper maintenance. Any misuse, abuse, alteration or improper installation or operations will void warranty. Determining whether a part is to be replaced or repaired is the sole decision of GNE.

NOTE: Some services performed by parties other than GNE may void warranty.

This warranty covers parts only. It will not provide for replacement of complete products due to defective parts. Components not manufactured for GNE are guaranteed by their manufacturer and can be serviced at factory-authorized locations near you. Any costs incurred due to replacement or repair of items outside of a GNE approved facility is the responsibility of the buyer and not covered under warranty. GNE can supply you with the service center location in your area.

This warranty specifically excludes the following: failure of parts due to damage caused by accident, fire, flood, windstorm, acts of God, applications not approved by GNE in writing, corrosion caused by chemicals, use of replacement parts which do not conform to manufacturer's specifications, and damage caused by vandalism. Additional exclusions: loss of running time, inconvenience, loss of income, or loss of use, including any implied warranty of merchantability of fitness for a specific use.

Warranty does not cover items subject to normal wear such as tires, receptacles or any part subject to direct physical contact by the public. This warranty does not cover any personal injury or damage to surrounding property caused by failure of any part.

This warranty is in lieu of any other warranty expressed or implied and GNE assumes no other responsibility or liability outside that expressed within this warranty.

Please fill in the following information and have it on hand when you call in on a warranty claim.

Customer Number: _____

Date of Purchase: _____

Product Serial Number: _____

Item Number: _____

This page was intentionally left blank.



Distributed by:
GNE
20195 S. Diamond Lake Rd., STE 100
Rogers, MN 55374