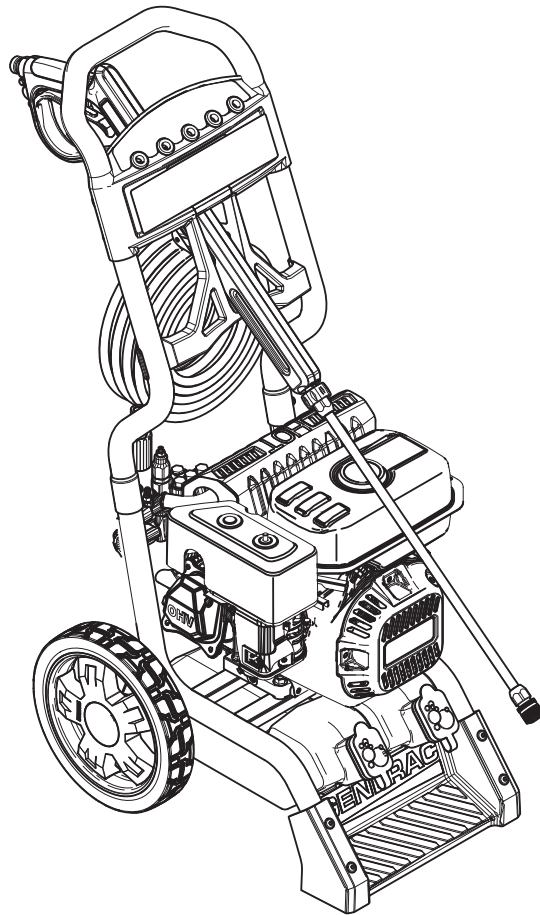




# Operator's Manual

## Power Washer



# Table of Contents

<b>Introduction</b> .....	<b>1</b>	<b>Maintenance</b> .....	<b>14</b>
<b>Safety Rules</b> .....	<b>1</b>	Maintenance Recommendations.....	14
Safety Symbols and Meanings .....	1	Maintenance Schedule .....	14
<b>General Information</b> .....	<b>4</b>	Pump Oil.....	14
Know Your Power Washer .....	4	Emissions Control.....	14
Product Specifications .....	5	Power Washer Maintenance .....	14
Unpacking.....	5	Check and Clean Inlet Screen.....	14
<b>Set-up</b> .....	<b>5</b>	Check High Pressure Hoses .....	14
Assembly.....	5	Check Detergent Siphoning Tube.....	15
Add Engine Oil .....	6	Check Spray Gun .....	15
Add Fuel .....	6	Nozzle Maintenance .....	15
Connect Hose and Water Supply to Pump .....	7	Engine Maintenance .....	15
How to Use Nozzles.....	8	Engine Oil Recommendations.....	15
Cleaning and Applying Detergent .....	9	Check Oil Level .....	16
Power Washer Rinsing .....	10	Adding Engine Oil.....	16
Cleaning Detergent Siphoning Tube.....	10	Changing Engine Oil .....	16
<b>Operation</b> .....	<b>11</b>	Service Air Cleaner .....	16
Operation .....	11	Service Spark Plug.....	17
Power Washer Location .....	11	Inspect Muffler and Spark Arrestor .....	17
Checklist Before Starting Engine.....	11	After Each Use.....	17
How to Start Your Power Washer .....	11	Winter Storage .....	18
Automatic Cool Down System (Thermal Relief) .....	13	Long Term Storage.....	18
How to Stop Your Power Washer.....	13	Protect Fuel System .....	18
		Change Oil .....	18
		Protecting the Pump.....	18
		Other Storage Instructions.....	18
		<b>Troubleshooting</b> .....	<b>19</b>
		Troubleshooting Guide.....	19
		<b>Warranty</b> .....	<b>20</b>
		<b>Manuel del propietario</b> .....	<b>23</b>
		<b>Manuel d'entretien</b> .....	<b>47</b>

## INTRODUCTION

Thank you for purchasing this power washer manufactured by Generac Power Systems, Inc. This model is a high performance, air-cooled, engine-driven power washer that operates between 2500 and 3000 psi depending on which model you purchased. The units feature custom designed wheels, axial cam pump with stainless steel pistons, automatic cool down system, quick connect nozzles, high pressure hose, detergent siphoning hose and chemical tank(s) depending on unit model.

**Common sense and strict compliance with the special instructions are essential to preventing accidents.** The operator must read this manual and thoroughly understand all of the instructions and warnings before using the equipment. If any portion of the manual is not understood, contact the nearest Authorized Dealer for starting, operating and servicing procedures. The owner is responsible for proper and safe use of the equipment.

The power washer can operate safely, efficiently and reliably only if it is properly located, operated and maintained. Before operating, servicing or storing:

- Study all warnings in this manual and on the product carefully.
- Become familiar with this manual and the unit before use.
- Refer to the Assembly section of the manual for instructions on final assembly procedures. Follow the instructions completely.

The manufacturer cannot anticipate every possible circumstance that might involve a hazard. The warnings in this manual, and on tags and decals affixed to the unit are, therefore, not all inclusive. If using a procedure, work method or operating technique that the manufacturer does not specifically recommend, ensure that it is safe for others. Also make sure the procedure, work method or operating technique utilized does not render the power washer unsafe.

THE INFORMATION CONTAINED HEREIN WAS BASED ON MACHINES IN PRODUCTION AT THE TIME OF PUBLICATION. GENERAC RESERVES THE RIGHT TO MODIFY THIS MANUAL AT ANY TIME.

**Save these instructions for future reference. If you loan this device to someone, ALWAYS loan these instructions AND the Owner's Manual to the individual as well.**

## WHERE TO FIND US

You can contact Generac Customer Service by phone at 1-888-436-3722, or on the internet at [www.generac.com](http://www.generac.com). Record the important information of the unit in the following chart for future reference and/or service inquiries.

<b>Model Number</b>	
<b>Serial Number</b>	
<b>Date Purchased</b>	

## SAFETY RULES

Throughout this publication, and on tags and decals affixed to the generator, DANGER, WARNING, CAUTION and NOTE blocks are used to alert personnel to special instructions about a particular operation that may be hazardous if performed incorrectly or carelessly. Observe them carefully. Their definitions are as follows:

### **⚠ DANGER!**

Indicates a hazardous situation or action which, if not avoided, will result in death or serious injury.

### **⚠ WARNING!**

Indicates a hazardous situation or action which, if not avoided, could result in death or serious injury.

### **⚠ CAUTION!**

Indicates a hazardous situation or action which, if not avoided, could result in minor or moderate injury.

### **NOTE:**

**Notes contain additional information important to a procedure and will be found within the regular text body of this manual.**

These safety warnings cannot eliminate the hazards that they indicate. Common sense and strict compliance with the special instructions while performing the action or service are essential to preventing accidents.

## SAFETY SYMBOLS AND MEANINGS



Toxic Fumes



Kickback



Electrical Shock



Slippery Surface



Fall



Fluid Injection



Fire



Explosion



Operator's Manual



Moving Parts




Flying Objects




Hot Surface


# Safety Rules

 **DANGER: Carbon monoxide produced during use CAN KILL in minutes. NEVER use indoors or in other sheltered areas, EVEN IF doors and windows are open. Only use OUTSIDE and far away from windows, doors and vents.**

 **Some chemicals or detergents may be harmful if inhaled or ingested, causing severe nausea, fainting, or poisoning.**

- Operate power washer ONLY outdoors.
- A running engine gives off carbon monoxide.
- Carbon monoxide is an odorless, colorless, poisonous gas. Breathing carbon monoxide can cause headache, fatigue, dizziness, vomiting, confusion, seizures, nausea, fainting or death. If you start experiencing any of these symptoms, IMMEDIATELY move to fresh air. Seek medical attention.
- Keep exhaust gas from entering a confined area through windows, doors, ventilation intakes, or other openings. Warn any occupants inside about the symptoms of carbon monoxide so they know to move to fresh air if they begin to feel ill.
- The use of a carbon monoxide detector inside any occupied premises between the power washer and the occupant is recommended.
- NEVER start or run engine indoors or in an enclosed area, EVEN IF windows and doors are open.
- Use a respirator or mask whenever there is a chance that harmful gas or vapors may be inhaled.
- Read all instructions with respirator or mask so you are certain the respirator or mask will provide the necessary protection against inhaling harmful gas or vapors. If you begin to experience any of the CO symptoms listed above, IMMEDIATELY move to fresh air.

 **DANGER: NEVER aim spray gun at people, animals, or electrical devices. Serious injury or death will result. ALWAYS point spray gun in safe direction, squeeze spray gun trigger to release high pressure, every time you stop engine. Engage trigger lock when not in use.**

- 
- The high pressure stream of water that this equipment produces can cut through skin and its underlying tissues, leading to serious injury, possible amputation or death. Spray gun traps high water pressure, EVEN WHEN engine is stopped and water is disconnected, which can cause injury.
  - NEVER allow CHILDREN to operate power washer or play nearby. This is NOT a toy.
  - NEVER repair high pressure hose. Replace it.
  - NEVER repair leaking connections with sealant of any kind. Replace o-ring or seal.
  - NEVER connect high pressure hose to nozzle extension.
  - Keep high pressure hose connected to pump and spray gun while system is pressurized.
  - NEVER secure spray gun in open position.
  - NEVER leave spray gun unattended while machine is running.
  - NEVER use a spray gun which does not have a trigger lock or trigger guard in place and in working order.
  - ALWAYS be certain spray gun, nozzles and accessories are correctly attached.

 **WARNING: Risk of electrocution.**

 **Contact with power source can cause electric shock or burn.**

- NEVER spray near power source.

 **WARNING: Contact with muffler area can result in serious burns. Exhaust heat/gases can ignite combustibles, structures or damage fuel tank causing a fire.**



- DO NOT touch hot parts and AVOID hot exhaust gases.
- Allow equipment to cool before touching.
- Keep at least five (5) feet (152 cm) of clearance on all sides of power washer including overhead.



- It is a violation of California Public Resource Code, Section 4442, to use or operate the engine on any forest-covered, brush-covered, or grass-covered land unless the exhaust system is equipped with a spark arrester, as defined in Section 4442, maintained in effective working order. Other states or federal jurisdictions may have similar laws.

Contact the original equipment manufacturer, retailer, or dealer to obtain a spark arrester designed for the exhaust system installed on this engine.

- Replacement parts must be the same and installed in the same position as the original parts.

 **WARNING: Fuel and its vapors are extremely flammable and explosive. Fire or explosion can cause severe burns or death.**



### WHEN ADDING OR DRAINING FUEL

- Turn power washer OFF and let it cool at least two (2) minutes before removing fuel cap. Loosen cap slowly to relieve pressure in tank.



- Fill or drain fuel tank outdoors.
- DO NOT overfill tank. Allow space for fuel expansion.
- If fuel spills, wait until it evaporates before starting engine.
- Keep fuel away from sparks, open flames, pilot lights, heat, and other ignition sources.
- DO NOT light a cigarette or smoke.

### WHEN STARTING EQUIPMENT

- Ensure spark plug, muffler, fuel cap, and air cleaner are in place.
- DO NOT crank engine with spark plug removed.

### WHEN OPERATING EQUIPMENT

- DO NOT tip engine or equipment at angle which causes fuel to spill.
- DO NOT spray flammable liquids.

### WHEN TRANSPORTING OR REPAIRING EQUIPMENT

- Transport/repair with fuel tank EMPTY or with fuel shutoff valve OFF.
- Disconnect spark plug wire.

### WHEN STORING FUEL OR EQUIPMENT WITH FUEL IN TANK

- Store away from furnaces, stoves, water heaters, clothes dryers, or other appliances that have pilot light or other ignition source because they can ignite fuel vapors.

**WARNING:** Use of power washer can create puddles and slippery surfaces. Kickback from spray gun can cause you to fall.



- Use only on a level surface.
- The cleaning area should have adequate slopes and drainage to reduce the possibility of a fall due to slippery surfaces.
- Do not use on elevated surfaces where chance of kickback could result in a serious fall.
- Firmly grasp spray gun with both hands when using high pressure spray to avoid injury when spray gun kicks back.



**WARNING:** Starter and other rotating parts can entangle hands, hair, clothing, or accessories.



- NEVER operate power washer without protective housing or covers.
- DO NOT wear loose clothing, jewelry or anything that may be caught in the starter or other rotating parts.
- Tie up long hair and remove jewelry.

**WARNING:** Starter cord kickback (rapid retraction) can result in bodily injury. Kickback will pull hand and arm toward engine faster than you can let go. Broken bones, fractures, bruises, or sprains could result.



- NEVER pull starter cord without first relieving spray gun pressure.
- To relieve trapped pressure, point gun in safe direction and release pressure by pulling/actuating trigger on spray gun.
- When starting engine, pull cord slowly until resistance is felt and then pull rapidly to avoid kickback.
- After each starting attempt, where engine fails to run, always point spray gun in safe direction, and squeeze spray gun trigger to release high pressure.
- Firmly grasp spray gun with both hands when using high pressure spray to avoid injury when spray gun kicks back.

**WARNING:** Unintentional sparking can result in fire or electric shock.



**WHEN ADJUSTING OR MAKING REPAIRS TO YOUR POWER WASHER.**

- Disconnect the spark plug wire from the spark plug and place the wire where it cannot contact spark plug.



**WHEN TESTING FOR ENGINE SPARK**

- Use approved spark plug tester.
- DO NOT check for spark with spark plug removed.

**WARNING:** Risk of eye injury. Spray can splash back or propel objects.



- Always wear safety goggles when using this equipment or in vicinity of where equipment is in use.
- Before starting the power washer, be sure you are wearing adequate safety goggles.
- NEVER substitute safety glasses for safety goggles.

**WARNING:** The engine exhaust from this product contains chemicals known to the State of California to cause cancer, birth defects, or other reproductive harm.

**WARNING:** This product contains lead and lead compounds, known to the State of California to cause birth defects or other reproductive harm. Wash your hands after handling this product.

**NOTE:**

**High pressure spray may damage fragile items including glass.**

- DO NOT point spray gun at glass when using red (0°) MAX nozzle.
- NEVER aim spray gun at people, animals, electrical devices or plants.

**NOTE:**

**Improper treatment of power washer can damage it and shorten its life.**

- If you have questions about intended use, ask dealer or contact qualified service center.
- NEVER operate units with broken or missing parts, or without protective housing or covers.
- DO NOT by-pass any safety device on this machine.
- DO NOT operate power washer above rated pressure.
- DO NOT modify power washer in any way.
- Before starting power washer in cold weather, check all parts of the equipment to be sure ice has not formed there.
- NEVER move machine by pulling on hoses. Use handle provided on unit.
- Check fuel system for leaks or signs of deterioration, such as chafed or spongy hose, loose or missing clamps, or damaged tank or cap. Correct all defects before operating power washer.
- This equipment is designed to be used with Generac authorized parts ONLY. If equipment is used with parts that DO NOT comply with minimum specifications, user assumes all risks and liabilities.

## General Information

### KNOW YOUR POWER WASHER

Read this owner's manual and safety rules before operating your high power washer.

If you loan this device to someone, ALWAYS loan these instructions AND the owner's manual to the individual as well. Compare the illustrations with your high power washer to familiarize yourself with the locations of various controls (Figure 1). Save this manual for future reference. Replacement owner's manuals can be printed from the Generac Web site.

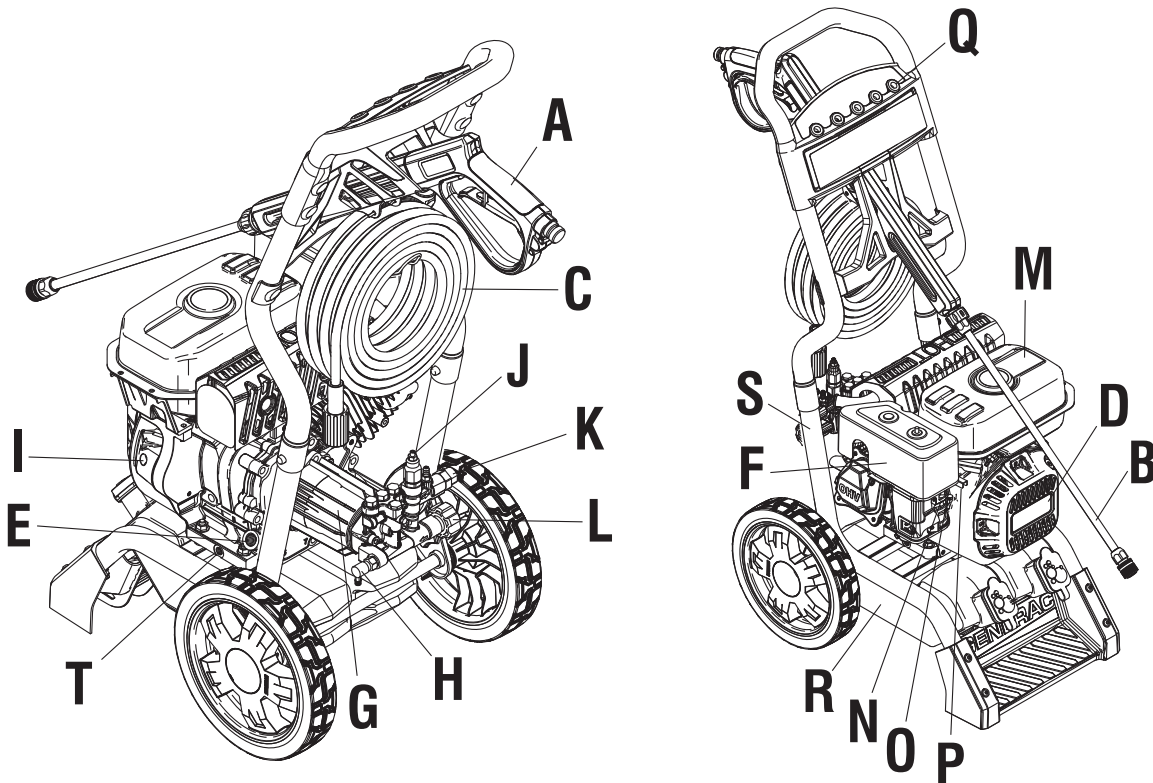
- A - Spray Gun** – Controls the application of water onto the cleaning surface with trigger device. Includes a trigger lock.
- B - Lance with Quick Connect** – Allows you to switch between different nozzles
- C - High Pressure Hose** – Connect one end to water pump and the other to the spray gun.
- D - Recoil Starter** – Use for starting the engine.
- E - Oil Fill** – Check and add engine oil.
- F - Air Filter** – Protects engine by filtering dust and debris out of the intake air.
- G - Pump** – Develops high pressure.
- H - Thermal Relief Valve** – Cycles water through the pump when water reaches 125°F warm water will discharge from pump onto ground. This prevents internal pump damage.
- I - Engine On/Off Switch** – Turn this switch to "ON" before using the recoil starter. Turn the switch to "OFF" to stop the engine.

- J - Unloader Valve** – Controls the high pressure output.
- K - High Pressure Outlet** – Connection for high pressure hose.
- L - Water Inlet** – Connection for Garden Hose.
- M - Fuel Tank** – Fill tank with regular unleaded fuel. Always leave room for fuel expansion.
- N - Fuel On/Off Switch** – Turns fuel supply to the engine on and off.
- O - Choke** – Prepares a cold engine for starting.
- P - Throttle Lever** – Increases or decreases engine speed. Throttle should be at maximum travel when the power washer is in use.
- Q - Nozzles** – Chemical injection, 0°, 15°, 25°, 40° for various high pressure cleaning applications.
- R - Chemical Tank** – Used to hold power washer safe detergents to be siphoned into the low pressure stream. (some units may not be equipped with tanks or may only have one tank).
- S - Warning/Operation Instruction** – Identifies proper procedure to start/stop power washer.
- T - Drain Plug** – Used to drain engine oil.

### ITEMS NOT SHOWN

- Identification Label (on engine blower housing) – Provides model and serial number of power washer. Please have these readily available if calling for assistance.
- Detergent Siphoning Tube/Filter – Use to siphon power washer safe detergents into the low pressure stream

Figure 1 – Features & Controls



## PRODUCT SPECIFICATIONS

<b>CONSUMER</b>			
Outlet Pressure - (PSI / BAR)	2500/172	2700/186	3000/207
Flow Rate - (GPM / LPM)	2.3/7.6		2.7/10.2
Water supply temperature - (°F / C°)	100/38 Max		
Hose length - (Feet / Meters)	25/7.6	25/7.6	30/9.1
Chemical Tank(s) - Number per unit	0	1	2
Chemical Tank - Capacity (Gal)	N/A	0.75	0.75
Nozzles - Number per unit	3	4	5
Lance Length (Inches / cm)	20/51		
Gun	Standard		Deluxe
Engine Displacement - (Cubic Inch / cc)	11.9/196		12.9/212
Spark Plug Type	F7RTC or equivalent		
Spark Plug Gap - (Inches / mm)	0.028-0.031/0.70-0.80		
Fuel Capacity - (Quarts / Liters)	3.8/3.6		3.2/3.0
Oil Capacity - (Oz / Liters)	20/0.6		
Low Oil Shut Down System	Yes		
On/Off Switch	Yes		

## UNPACKING

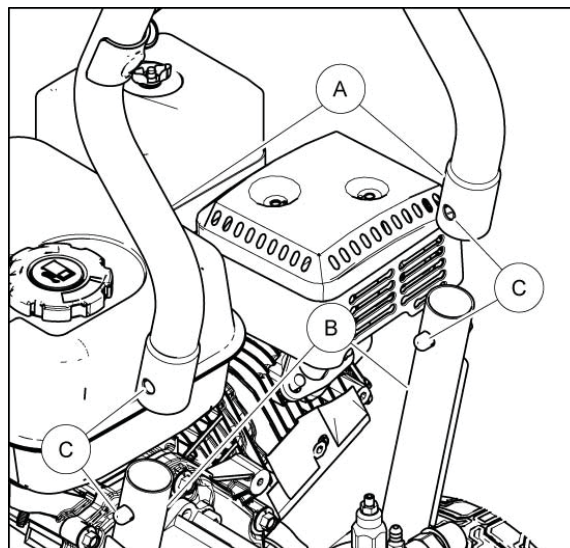
1. Remove the parts bag, accessories, and inserts included with power washer.
2. Open carton completely by cutting each corner from top to bottom.
3. Ensure you have all included items prior to assembly.
  - Main Unit
  - Handle Assembly
  - High Pressure Hose
  - Siphon Hose & Filter
  - Spray Gun
  - Lance with Quick Connect Fitting
  - Oil Bottle
  - Hose Hook Wireform
  - Parts Bag (which includes the following):
    - ~ Chemical Tank Cap with hole if model is equipped with a Chemical Tank
    - ~ Operator's Manual
    - ~ Owner's Registration Card
    - ~ Bag containing Color-coded Nozzles
4. If you are missing any items from your carton, please call Generac Customer Service at 1-888-436-3722. When calling for assistance, please have the model and serial number from the data tag available.
5. Fill out and send in registration card. Write Model number, Serial number & date of purchase in the table located in the "Where to Find Us" section.

## ASSEMBLY

Read entire operator's manual before you attempt to assemble or If you have any problems with the assembly of your power washer, please call Generac Customer Service at 1-888-436-3722. When calling for assistance, please have the model and serial number from the data tag available.

1. Place handle (A) onto handle supports (B). Push in latch buttons and allow handle to slide into position (C). Button will lock handle into place (Figure 2).

**Figure 2 – Attach Handle**



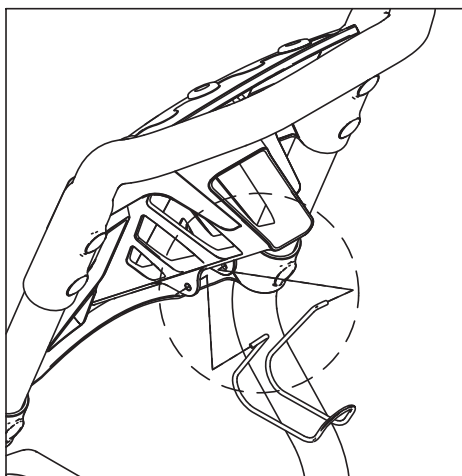
## Set-up

### NOTE:

It may be necessary to move the handle supports from side to side in order to align the handle so it will slide over the handle supports.

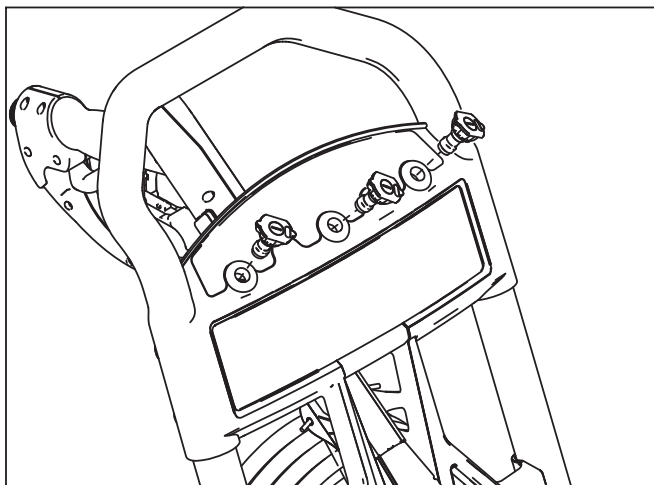
2. Install hose hook (Figure 3).

**Figure 3 – Install Hose Hook**



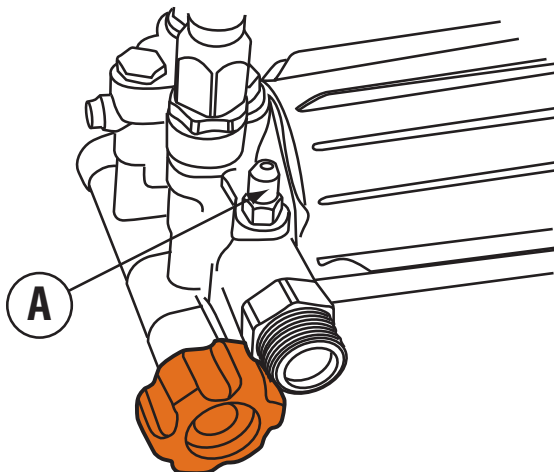
3. Insert color-colored nozzles in spaces provided in handle (Figure 4).
4. Place spray gun and nozzle extension into spray gun holder as shown (Figure 4).

**Figure 4 – Insert Nozzles**



5. Coil high pressure hose and hang on hook.
6. Attach siphon tube to location A (Figure 5).

**Figure 5 – Siphon Tube Location**



## ADD ENGINE OIL

1. Place power washer on a flat, level surface.
2. Clean area around oil fill and remove orange oil fill cap/dipstick.
3. Using oil funnel (optional), slowly pour contents of provided oil bottle into oil fill opening. See Maintenance section for oil type recommendation.

### NOTE:

**On some units there is more than one oil fill location. In these instances it is only necessary to use one of the oil fill points.**

4. Check periodically until the FULL mark is reached. **DO NOT OVERFILL.**

### NOTE:

**Any attempt to crank or start the engine before it has been properly serviced with the recommend oil may result in engine failure.**

5. Replace oil fill cap/dipstick and fully tighten.

## ADD FUEL

Fuel must meet these requirements:

- Clean, fresh, unleaded gasoline.
- A minimum of 87 octane/87 AKI (91 RON).
- Gasoline with up to 10% ethanol (gasohol) is acceptable.

### NOTE:

**Avoid power washer damage. Failure to follow Operator's Manual for fuel recommendations voids warranty.**

- **DO NOT** use unapproved gasoline such as E85.
- **DO NOT** mix oil in gasoline.
- **DO NOT** modify engine to run on alternate fuels.

To protect the fuel system from gelling, mix in a fuel stabilizer when adding fuel. See Storage. All fuel is not the same. If you experience starting or performance problems after using fuel, switch to a different fuel provider or change brands.

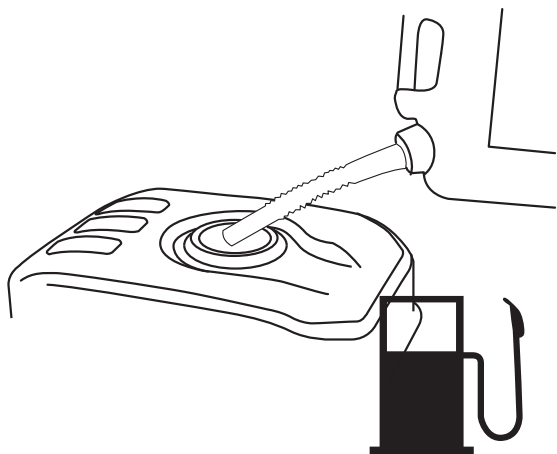


**⚠ WARNING!**

Fuel and its vapors are extremely flammable and explosive. Fire or explosion can cause severe burns or death.

**WHEN ADDING FUEL**

- Turn power washer OFF and let it cool at least two (2) minutes before removing fuel cap. Loosen cap slowly to relieve pressure in tank.
  - Fill fuel tank outdoors.
  - DO NOT overfill tank. Allow space for fuel expansion.
  - If fuel spills, wait until it evaporates before starting engine.
  - Keep fuel away from sparks, open flames, pilot lights, heat, and other ignition sources.
  - DO NOT light a cigarette or smoke.
1. Clean area around fuel fill cap, remove cap.
  2. Slowly add regular unleaded fuel to fuel tank. Be careful not to overfill. Fill to bottom of filter screen, this will allow for fuel expansion (Figure 6).
  3. Install fuel cap and let any spilled fuel evaporate before starting engine.

**Figure 6 – Adding Fuel****CONNECT HOSE AND WATER SUPPLY TO PUMP****NOTE:**

DO NOT run the pump without the water supply connected and turned on. Damage to equipment resulting from failure to follow this instruction will void warranty.

**NOTE:**

Remove and discard the shipping cap from the pump's water inlet before attaching hose.

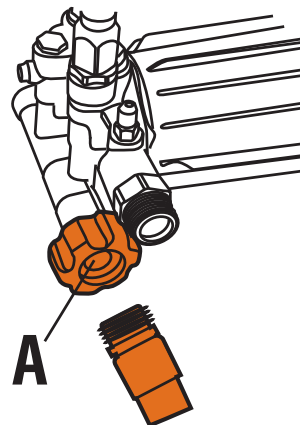
1. Run water through your garden hose for 30 seconds to clean out any debris.
2. Before connecting garden hose to water inlet, inspect inlet screen (A) (Figure 7). Clean screen if it contains debris or have it replaced if damaged. DO NOT run power washer if inlet screen is damaged.

**IMPORTANT:** DO NOT siphon standing water for the water supply. Use ONLY cold water (less than 100°F). Water supply must be adequate to handle greater than 3.8 gallons per minute and no less than 30 psi.

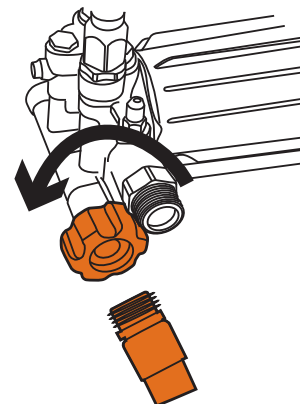
**NOTE:**

**Using a One Way Valve (vacuum breaker or check valve) at pump inlet can cause pump or inlet connector damage.**

- There MUST be at least ten feet of unrestricted garden hose between the power washer inlet and any device, such as a vacuum breaker or check valve.
- Damage to equipment resulting from failure to follow this instruction will void warranty.

**Figure 7 – Inspect Inlet Screen**

3. Connect the garden hose (not to exceed 50 feet in length) to the water inlet (Figure 8). Tighten by hand.

**Figure 8 – Connect Garden Hose****⚠ WARNING!**

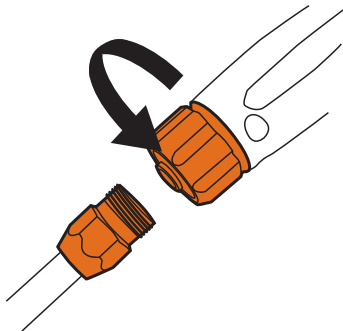
**Risk of eye injury. Spray can splash back or propel objects.**

- Always wear safety goggles when using this equipment or in vicinity of equipment in use.

## Set-up

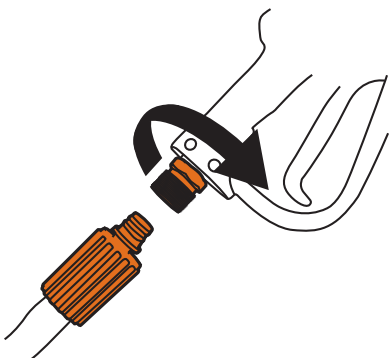
- Before starting the power washer, be sure you are wearing adequate safety goggles.
  - NEVER substitute safety glasses for safety goggles.
4. Connect lance to spray gun (Figure 9). Tighten by hand.

**Figure 9 – Attach Lance**




5. Attach end of high pressure hose to base of spray gun (Figure 10). Tighten by hand.

**Figure 10 – Connect Hose to Spray Gun**



### **⚠ DANGER!**

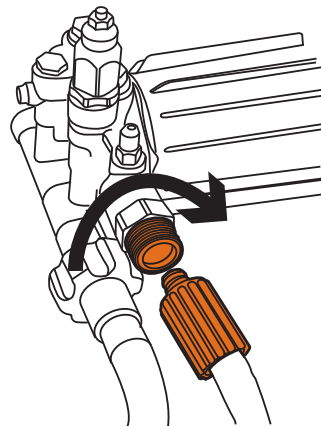
 The high pressure stream of water that this equipment produces can cut through skin and its underlying tissues, leading to serious injury and possible amputation.

- NEVER connect high pressure hose to lance.
  - Keep high pressure hose connected to pump and spray gun while system is pressurized.
  - Always be certain spray gun, nozzles and accessories are correctly attached.
6. Connect high pressure hose to pump (uncoil hose before connecting to pump or spray gun) (Figure 11). Tighten by hand.

### **⚠ CAUTION!**

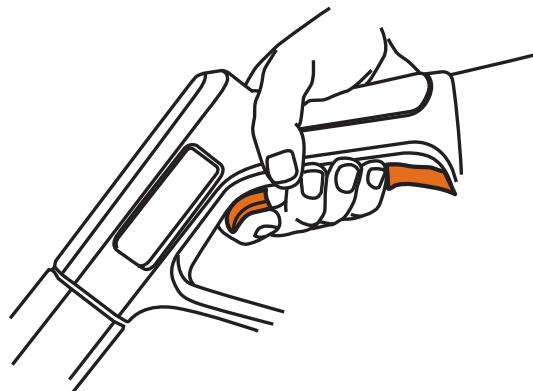
 The hose can be damaged if it comes in contact with a hot engine or muffler.

**Figure 11 – Connect High Pressure Hose to Pump**



7. Turn ON the water, squeeze the trigger to purge the pump system of air (Figure 12).

**Figure 12 – Squeeze Trigger**




## HOW TO USE NOZZLES

The quick-connect on the nozzle lance allows you to switch between different nozzles. Nozzles can be changed while power washer is running once spray gun trigger is locked in the safety position. The nozzles vary the pressure and spray pattern as shown.

- For most effective cleaning, keep nozzle from 8 to 24 inches (20 to 61 cm) away from cleaning surface.
- If you get nozzle too close, especially using a high pressure nozzle, you may damage surface being cleaned.

### **⚠ DANGER!**

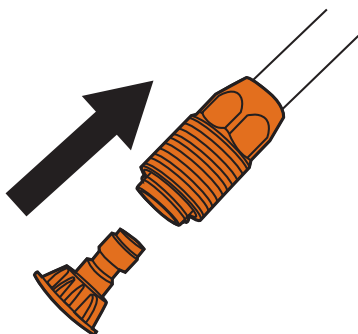
 The high pressure stream of water that this equipment produces can cut through skin and its underlying tissues, leading to serious injury and possible amputation.

- NEVER exchange nozzles without the trigger lock being engaged on the spray gun.
- DO NOT twist nozzles while spraying.

Follow these instructions to change nozzles:

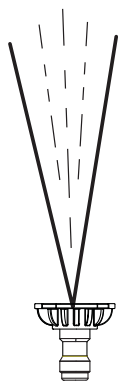
1. Pull back collar on quick-connect and pull current nozzles off. Store nozzles in holder provided on the accessory storage (Figure 13).

**Figure 13 – Nozzles**



2. Select desired nozzle:
  3. Pull back on collar, insert new nozzle and release collar. Tug on nozzle to make sure it is securely in place.
- For delicate rinse (lower pressure and higher flow), for gentle cleaning of cars/trucks, boats, RV's, patio furniture, lawn equipment, etc., select white nozzle (Figure 14).

**Figure 14 – Low Pressure Nozzle (White)**



- For general rinsing (medium pressure and medium flow), ideal for most all purpose cleaning such as home siding, brick patios, wood decks, driveways and sidewalks, garage floors, etc., select yellow nozzle (Figure 15).

**Figure 15 – Medium Pressure Nozzle (Yellow)**



- For maximum rinsing (higher pressure and lower flow), for stubborn or hard to reach surface such as second story surfaces, paint removal, oil stains, rust removal or other stubborn substances (tar, gum, grease, wax, etc.), select red nozzle (Figure 16).

**⚠ CAUTION!**

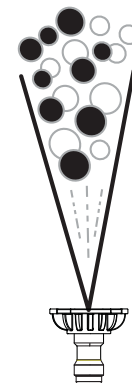
**⚠ This tip (Red Nozzle) can damage work surface if it is too close or held in one position for an extended time.**

**Figure 16 – Maximum Pressure Nozzle (Red)**



- When applying detergent, use only the black nozzle (Figure 17). Only use power washer safe detergents/soaps to help break down stubborn dirt and grime on a variety of surfaces.

**Figure 17 – Detergent Nozzle (Black)**



**CLEANING AND APPLYING DETERGENT**

**⚠ CAUTION!**

**⚠ Chemicals can cause bodily injury, and/or property damage.**

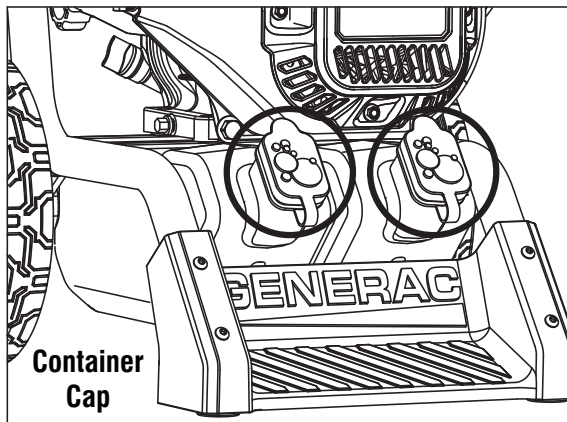
- NEVER use caustic liquid with power washer.
- Use ONLY power washer safe detergents/soaps. Follow all manufacturers instructions.

To apply detergent, follow these steps:

1. Review use of nozzles.
2. Open container cap (if so equipped, Figure 18).
3. Prepare detergent solution as required by job.

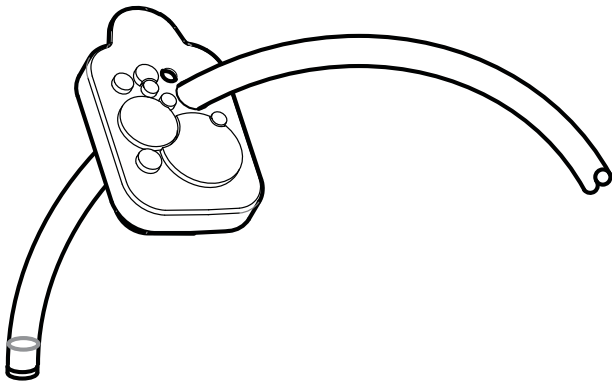
## Set-up

Figure 18 – Chemical Tank & Cover



4. Depending on model, insert filter on end of siphoning tube through the hole in the loose cap (supplied) (Figure 19).
5. Install cap and siphoning tube onto tank.
6. Make sure siphoning tube remains fully submerged into detergent.

Figure 19 – Install Siphoning Tube



**NOTE:**

**Make sure the filter remains fully submerged in detergent while applying detergent.**

**NOTE:**

**Contact with the hot muffler can damage detergent siphoning tube.**

- When inserting the siphon into a detergent solution bottle, route the tube so as to keep it from inadvertently contacting the hot muffler.
7. Make sure black detergent nozzle is installed.

**NOTE:**

**Detergent cannot be applied with the high pressure nozzle (Yellow, White, Green or Red). Only use the Black nozzle with detergent.**

8. Confirm set-up instructions have been followed.

**NOTE:**

**You must attach all hoses before you start the engine.**

- Starting the engine without all the hoses connected and without the water turned ON will damage the pump.
  - Damage to equipment resulting from failure to follow this instruction will void warranty.
9. Start engine following instructions How to Start Your Power Washer.
  10. Apply detergent to a dry surface, starting at lower portion of area to be washed and work upward using long, even, overlapping strokes.
  11. Allow detergent to "soak in" for 3-5 minutes before washing and rinsing. Reapply as needed to prevent surface from drying. **DO NOT** allow detergent to dry on surface being cleaned (prevents streaking).

**IMPORTANT:** You must flush the detergent siphoning system after each use by placing the filter into a bucket of clean water, then run the power washer in low pressure for 1-2 minutes.

### **POWER WASHER RINSING**

1. Remove black detergent nozzle from lance.
2. Select and install desired high pressure nozzle following instructions How to Use Nozzles.
3. Point spray gun in safe direction and away from people, animals and plants. Squeeze trigger to flush any remaining chemical from system.
4. Keep spray gun a safe distance from area you plan to spray.

**▲ WARNING!**



**Kickback from spray gun can cause you to fall.**

- Use only on a level surface.
  - Do not use on elevated surface to prevent the risk of a serious fall.
- Be extremely careful if you must use the power washer from a ladder, scaffolding, or any other similar location.
  - Firmly grasp spray gun with both hands when using high pressure spray to avoid injury when spray gun kicks back.
5. Apply a high pressure spray to a small area and then check surface for damage. If no damage is found, you can assume it is okay to continue rinsing.
  6. Start at top of area to be rinsed, working down with same overlapping strokes as you used for cleaning.

### **CLEANING DETERGENT SIPHONING TUBE**

If you used the detergent siphoning tube, you must flush it with clean water before stopping the engine.

1. Place detergent siphoning tube/filter in a bucket full of clean water.
2. Remove high pressure nozzle from nozzle extension.
3. Select and install black detergent nozzle following instructions How to Use Nozzles.
4. Flush for 1-2 minutes.
5. Shut off engine following instructions How to Stop Power Washer and turn off water supply.
6. **ALWAYS** point spray gun in a safe direction, squeeze spray gun trigger to release retained high water pressure. Engage trigger lock when not in use.

**IMPORTANT:** Spray gun traps high water pressure, even when engine is stopped and water is disconnected.

## ⚠ DANGER!



The high pressure stream of water that this equipment produces can cut through skin and its underlying tissues, leading to serious injury and possible amputation. Spray gun traps high water pressure, even when engine is stopped and water is disconnected, which can cause injury.

- Keep high pressure hose connected to pump and spray gun while system is pressurized.
- ALWAYS point spray gun in safe direction, and squeeze spray gun trigger to release high pressure, every time you stop engine. Engage trigger lock when not in use.

## OPERATION

If you have any problems operating your power washer, please call Generac customer service at 1-888-436-3722.

## POWER WASHER LOCATION

### Clearances and Air Movement

## ⚠ DANGER!



Running engine gives off carbon monoxide, an odorless, colorless, poisonous gas. Breathing carbon monoxide can cause headache, fatigue, dizziness, vomiting, confusion, seizures, nausea, fainting or death. For more information, reference the CO warnings in the Safety Rules section.

Place power washer outdoors in an area that will not accumulate deadly exhaust gas. NEVER place power washer where exhaust gas could accumulate and enter inside or be drawn into a potentially occupied building. Ensure exhaust gas is kept away from any windows, doors, ventilation intakes, or other openings that can allow exhaust gas to collect in a confined area. Prevailing winds and air currents should be taken into consideration when positioning power washer (Figure 20).

- Operate power washer ONLY outdoors.
- Keep exhaust gas from entering a confined area through windows, doors, ventilation intakes, or other openings.
- NEVER start or run engine indoors or in an enclosed area, EVEN IF windows and doors are open.

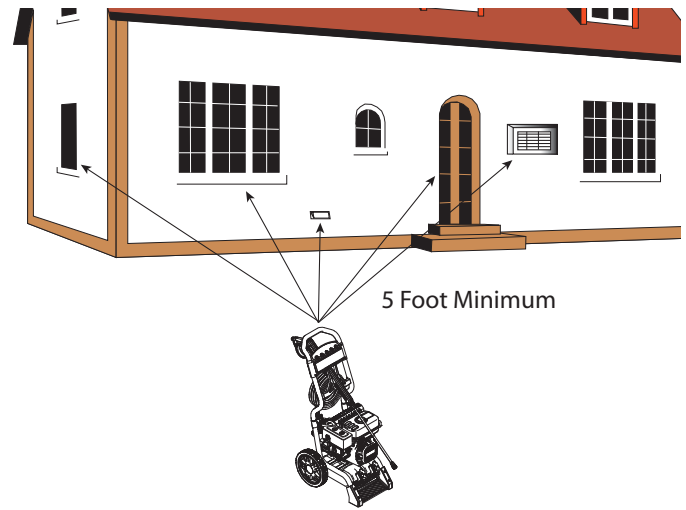
## ⚠ WARNING!



Exhaust heat/gases can ignite combustibles, structures or damage fuel tank causing a fire.

- Keep at least 5 ft. (152 cm) clearance on all sides of power washer including overhead.

Figure 20 – Building Clearances



## CHECKLIST BEFORE STARTING ENGINE

1. Be sure to read and understand the Operator Safety section and Operation section before using power washer.
2. Check that oil is at the proper level in the engine crankcase and that fuel has been added to the fuel tank.
3. Review the unit's assembly and ensure fittings are properly secured and make sure there are no kinks, cuts, or damage to high pressure hose.
4. Provide a proper water supply at an adequate flow, clear screens of debris, and confirm that the system is purged of air.
5. Confirm unit is secure on level ground and surrounding work area is clear.

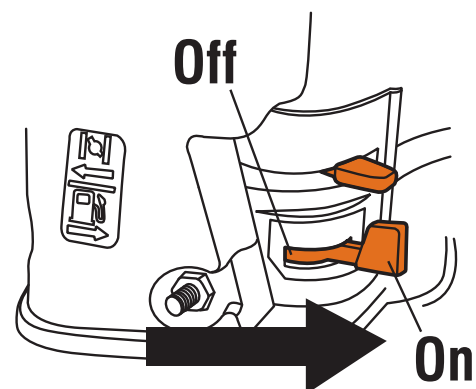
## HOW TO START YOUR POWER WASHER

### NOTE:

**DO NOT run the pump without the water supply connected and turned on. Damage to equipment resulting from failure to follow this instruction will void warranty.**

1. Move the fuel valve lever to the ON position (Figure 21).

Figure 21 – Fuel Valve



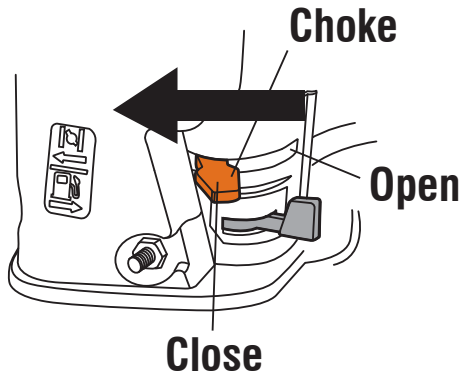
# Operation

2. Move choke lever to "CLOSE" position (Figure 22).

**NOTE:**

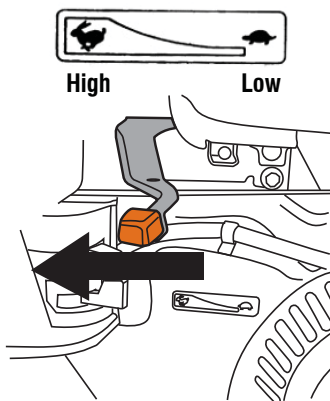
For a warm engine, be sure the choke lever is in the "OPEN" position.

**Figure 22 – Choke Lever**



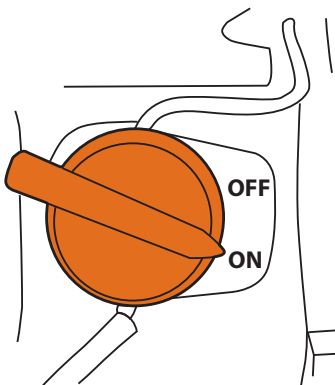
3. Move throttle control lever to "HIGH" position, shown on engine as a rabbit (Figure 23).

**Figure 23 – Throttle Control**



4. Turn the engine switch to the "ON" position (Figure 24).

**Figure 24 – The ON Position**



**IMPORTANT:** Before starting the power washer, be sure you are wearing adequate safety goggles.

## **▲ WARNING!**

**Risk of eye injury. Spray can splash back or propel objects.**

- Always wear safety goggles when using this equipment or in vicinity of equipment in use.
  - Before starting the power washer, be sure you are wearing adequate safety goggles.
  - NEVER substitute safety glasses for safety goggles.
5. Place foot on footpad or otherwise secure unit from movement when pulling recoil.
  6. When starting the engine, grasp starter grip handle (Figure 25) and pull slowly until you feel some resistance. Then pull rapidly to start engine.

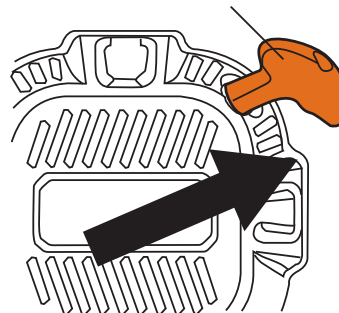
## **▲ WARNING!**

**Starter cord kickback (rapid retraction) can result in bodily injury. Kickback will pull hand and arm toward engine faster than you can let go. Broken bones, fractures, bruises, or sprains could result.**

- NEVER pull starter cord without first relieving spray gun pressure.
  - When starting engine, pull cord slowly until resistance is felt and then pull rapidly to avoid kickback.
  - After each starting attempt, where engine fails to run, always point spray gun in safe direction and squeeze spray gun trigger to release high pressure.
  - Firmly grasp spray gun with both hands when using high pressure spray to avoid injury when spray gun kicks back.
7. Return starter grip handle slowly. DO NOT let rope "snap back" against starter.

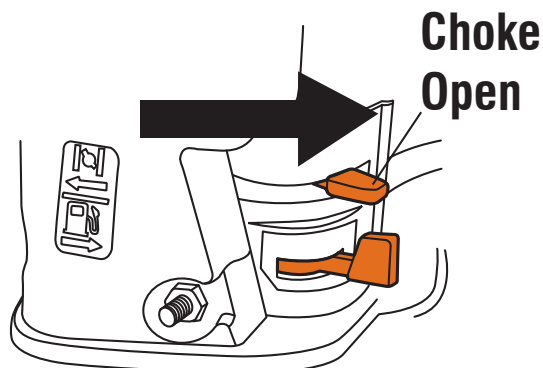
**Figure 25 – Starting the Engine**

## **Starter Handle**




8. When engine starts, slowly move choke lever to "OPEN" position as engine warms. If engine falters, move choke lever to "CLOSE" position, then to "OPEN" position (Figure 26).

**Figure 26 – Choke Lever**





9. After each starting attempt, where engine fails to run, always point gun in safe direction, and squeeze spray gun trigger to release high pressure.
10. If engine fails to start after six pulls, move choke lever to "OPEN" position, and repeat steps 6 through 10.

**⚠ DANGER!**

 **The high pressure stream of water that this equipment produces can cut through skin and its underlying tissues, leading to serious injury and possible amputation. Spray gun traps high water pressure, even when engine is stopped and water is disconnected, which can cause injury.**

- DO NOT allow CHILDREN to operate power washer or play nearby.
- Keep high pressure hose connected to pump and spray gun while system is pressurized.
- NEVER aim spray gun at people, animals or electrical devices. Serious injury will result.
- DO NOT secure spray gun in open position.
- DO NOT leave spray gun unattended while machine is running.
- NEVER use a spray gun which does not have a trigger lock or trigger guard in place and in working order.
- Always be certain spray gun, nozzles and accessories are correctly attached.

**⚠ WARNING!**

  **Contact with muffler area can result in serious burns. Exhaust heat/gases can ignite combustibles, structures or damage fuel tank causing a fire.**

- DO NOT touch hot parts and AVOID hot exhaust gases.
- Allow equipment to cool before touching.
- Keep at least 5 feet (152 cm) of clearance on all sides of power washer including overhead.
- It is a violation of California Public Resource Code, Section 4442, to use or operate the engine on any forest-covered, brush-covered, or grass-covered land unless the exhaust system is equipped with a spark arrester, as defined in Section 4442, maintained in effective working order. Other states or federal jurisdictions may have similar laws.
- Replacement parts must be the same and installed in the same position as the original parts.

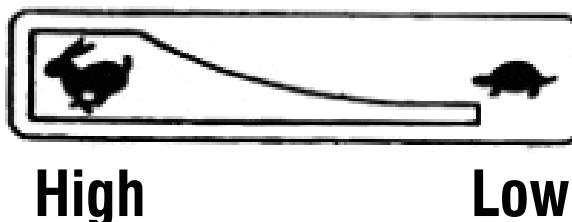
## AUTOMATIC COOL DOWN SYSTEM (THERMAL RELIEF)

If you run the engine on your power washer for 3-5 minutes without pressing the trigger on the spray gun, circulating water in the pump can reach temperatures above 125°F. The system engages to cool the pump by **discharging the warm water onto the ground.**

## HOW TO STOP YOUR POWER WASHER

1. Release spray gun trigger.
2. Move throttle control lever on engine to "LOW" (turtle) position (Figure 27).


**Figure 27 – Throttle Position**



3. Turn the engine ON/OFF switch to the "OFF" position.
4. ALWAYS point spray gun in a safe direction, and squeeze spray gun trigger to release retained high water pressure. Engage trigger lock when not in use.
5. Turn OFF water supply.

**IMPORTANT:** Spray gun traps high water pressure, even when engine is stopped and water is disconnected.

**⚠ DANGER!**

 **The high pressure stream of water that this equipment produces can cut through skin and its underlying tissues, leading to serious injury and possible amputation. Spray gun traps high water pressure, even when engine is stopped and water is disconnected, which can cause injury.**

- Keep high pressure hose connected to pump and spray gun while system is pressurized.
- ALWAYS point spray gun in safe direction, squeeze spray gun trigger to release high pressure, every time you stop engine. Engage trigger lock when not in use.

# Maintenance

## MAINTENANCE RECOMMENDATIONS

Regular maintenance will improve the performance and extend the life of the power washer. See any qualified dealer for service.

The power washer's warranty does not cover items that have been subjected to operator abuse or negligence. To receive full value from the warranty, the operator must maintain the power washer as instructed in this manual, including proper storage as detailed in Winter Storage and Long Term Storage.

### NOTE:

**Should you have questions about replacing components on your power washer, please call 1-888-436-3722 for assistance.**

Some adjustments will need to be made periodically to properly maintain your power washer.

All service and adjustments should be made at least once each season. Follow the requirements in the Maintenance Schedule chart.

### NOTE:

**Once a year you should clean or replace the spark plug, clean or replace the air filter, and check the spray gun and nozzle extension assembly for wear. A new spark plug and clean air filter assure proper fuel-air mixture and help your engine run better and last longer.**

## MAINTENANCE SCHEDULE

Follow the hourly or calendar intervals, whichever occurs first. More frequent service is required when operating in adverse conditions.

First 5 Hours
Change engine oil
Every 8 Hours or Daily
Check/clean water inlet screen*
Check high pressure hose
Check detergent siphoning hose/filter
Check spray gun and assembly for leaks
Clean debris
Check engine oil level
Every 20 Hours or Every Season
Change engine oil**
Every 50 Hours or Every Season
Check/clean air cleaner filter**
Inspect muffler and spark arrester
Every 100 Hours or Every Season
Service spark plug
* Clean if clogged. Replace if perforated or torn.
** Service more often under dirty or dusty conditions.

## PUMP OIL

DO NOT attempt any oil maintenance on this pump. The pump is pre-lubricated and sealed from the factory, requiring no additional maintenance for the life of the pump.

## EMISSIONS CONTROL

**Maintenance, replacement, or repair of the emissions control devices and systems may be performed by any non-road engine repair establishment or individual.** However, to obtain "no charge" emissions control service, the work must be performed by a factory authorized dealer. See the Emissions Warranty.

## POWER WASHER MAINTENANCE

### Clean Debris

Daily or before use, clean accumulated debris from cleaning system. Keep linkage, spring and controls clean. Keep area around and behind muffler free from any combustible debris. Inspect cooling air slots and openings on the power washer. These openings must be kept clean and unobstructed.

Power washer parts should be kept clean to reduce the risk of overheating and ignition of accumulated debris.

- Use a damp cloth to wipe exterior surfaces clean.

### NOTE:

**Improper treatment of power washer can damage it and shorten its life.**

- DO NOT insert any objects through cooling slots.
- Use a soft bristle brush to loosen caked on dirt, oil, etc.
- Use a vacuum cleaner to pick up loose dirt and debris.

## CHECK AND CLEAN INLET SCREEN

Examine the screen on the pump's water inlet. Clean it if the screen is clogged or replace it if screen is damaged.

## CHECK HIGH PRESSURE HOSES

The high pressure hoses can develop leaks from wear, kinking, or abuse. Inspect the hoses each time before using them. Check for cuts, leaks, abrasions or bulging of cover, damage or movement of couplings. If any of these conditions exist, replace the hose immediately.

### **⚠ DANGER!**



**The high pressure stream of water that this equipment produces can cut through skin and its underlying tissues, leading to serious injury and possible amputation.**

- NEVER repair high pressure hose. Replace it.
- Replacement hose rating MUST meet or exceed maximum pressure rating of unit.



## CHECK DETERGENT SIPHONING TUBE

Examine the filter on the detergent tube and clean if clogged. The tube should fit tightly on the barbed fitting. Examine the tube for leaks or tears. Replace the filter or tube if either is damaged.

## CHECK SPRAY GUN


Examine the hose connection to the spray gun and make sure it is secure. Test the trigger by pressing the trigger, it "springs back" into place when you release it. Replace spray gun immediately if it fails to "spring back".

## NOZZLE MAINTENANCE

A pulsing sensation felt while squeezing the spray gun trigger may be caused by excessive pump pressure. The principal cause of excessive pump pressure is a nozzle clogged or restricted with foreign materials, such as dirt, etc. To correct the problem, immediately clean the nozzle following these instructions:

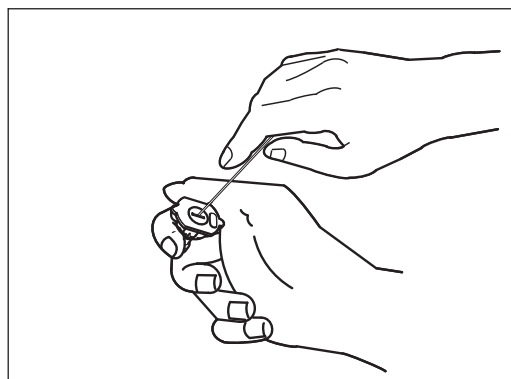
1. Shut off engine and turn off water supply.
2. ALWAYS point spray gun in a safe direction, squeeze spray gun trigger to release retained high water pressure.

### ⚠ DANGER!

 The high pressure stream of water that this equipment produces can cut through skin and its underlying tissues, leading to serious injury and possible amputation. Spray gun traps high water pressure, even when engine is stopped and water is disconnected, which can cause injury.

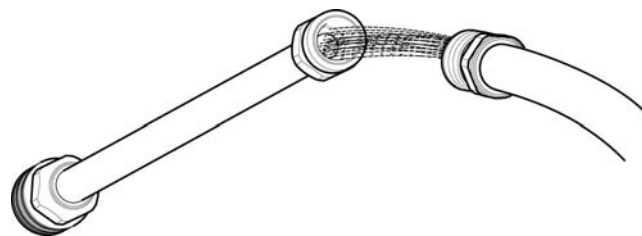
- Keep high pressure hose connected to pump and spray gun while system is pressurized.
  - ALWAYS point spray gun in safe direction, and squeeze spray gun trigger to release high pressure every time you stop engine. Engage trigger lock when not in use.
3. Remove nozzle from end of nozzle extension.
  4. Use a small paper clip to free any foreign material clogging or restricting nozzle (Figure 28).

Figure 28 – Free Foreign Material



5. Remove lance from spray gun.
6. Using a garden hose, remove additional debris by back flushing water through lance (Figure 29). Back flush between 30 to 60 seconds.

Figure 29 – Back Flush Lance



7. Reinstall nozzle into lance.
8. Reconnect lance to spray gun.
9. Make sure garden hose is connected to pump water inlet. Check that high pressure hose is connected to spray gun and pump. Turn on water.
10. Start engine following instructions How to Start Your Power Washer.
11. Test power washer by operating with each quick connect nozzle.

## ENGINE MAINTENANCE

### ⚠ WARNING!



Unintentional sparking can result in fire or electric shock.

### WHEN ADJUSTING OR MAKING REPAIRS TO YOUR POWER WASHER

- Disconnect the spark plug wire from the spark plug and place the wire where it cannot contact spark plug.

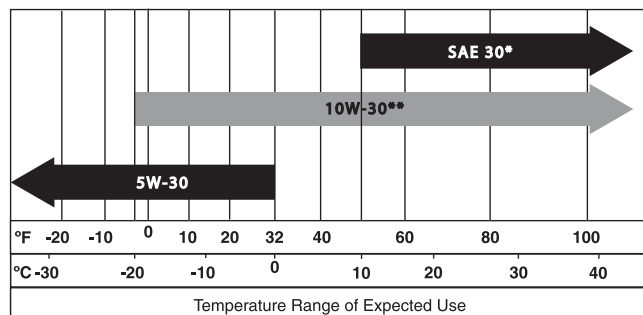
### WHEN TESTING FOR ENGINE SPARK

- Use approved spark plug tester.
- DO NOT check for spark with spark plug removed.

## ENGINE OIL RECOMMENDATIONS

We recommend the use of high-quality detergent oils acceptable if classified for service SF, SG, SH, SJ or higher. DO NOT use special additives.

Outdoor temperatures determine the proper oil viscosity for the engine. Use the chart to select the best viscosity for the outdoor temperature range expected.



\* Below 50°F (10°C) the use of SAE 30 will result in hard starting.

\*\* Above 80°F (27°C) the use of 10W30 may cause increased oil consumption. Check oil level more frequently.

## Maintenance

### NOTE:

Synthetic oil meeting ILSAC GF-2, API certification mark and API service symbol with “SJ/CF ENERGY CONSERVING” or higher, is an acceptable oil at all temperatures. Use of synthetic oil does not alter required oil change intervals.

### NOTE:

The engine is equipped with an "Oil Alert System". This system will automatically stop the engine before the oil level falls below a safe limit. To avoid the inconvenience of an unexpected shutdown, always check the engine oil level before startup.

### CHECK OIL LEVEL

Oil level should be checked prior to each use or at least every 8 hours of operation. Keep oil level maintained.

1. Make sure power washer is on a level surface.
2. Clean area around oil fill and wipe dipstick clean remove oil fill cap (Figure 30).
3. Verify oil is at the proper level on the dipstick.
4. Insert the dipstick into filler neck but do not screw it in.
5. Replace and tighten oil fill cap.

### ADDING ENGINE OIL

1. Make sure power washer is on a level surface.
2. Check oil level as described in Checking Oil Level.
3. If needed, slowly pour oil into oil fill opening until the proper level on the dipstick is reached (Figure 30).
4. Insert the dipstick into filler neck but do not screw it in.
5. If level is low, fill to the upper marks on the dipstick.
6. Replace and tighten oil fill cap.

### CHANGING ENGINE OIL

If you are using your power washer under extremely dirty or dusty conditions, or in extremely hot weather, change the oil more often.

### ▲ CAUTION!

▲ **Avoid prolonged or repeated skin contact with used motor oil.**

- Used motor oil has been shown to cause skin cancer in certain laboratory animals.
- Thoroughly wash exposed areas with soap and water.

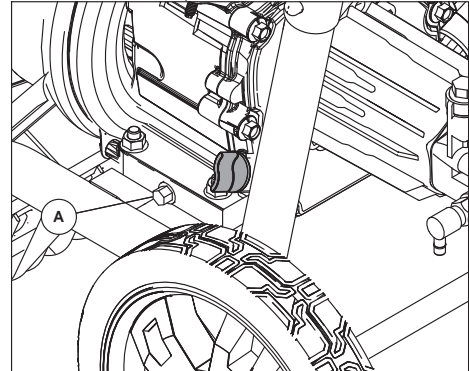
▲ **KEEP OUT OF REACH OF CHILDREN.**

- Don't pollute. Conserve resources. Return used oil to collection centers.

Change oil while engine is still warm from running, as follows:

1. Make sure unit is on a level surface.
2. Disconnect the spark plug wire from the spark plug and place the wire where it cannot contact spark plug.
3. Clean area around oil drain plug (A) (Figure 30). The oil drain plug is located at base of engine, opposite carburetor.

Figure 30 – Oil Drain Plug



4. Remove oil fill cap (Figure 31).
5. Remove oil drain plug and drain oil completely into a suitable container.
6. Reinstall oil drain plug and tighten securely.
7. Slowly pour oil (about 20 oz.) into oil fill opening to the proper level on the dipstick. DO NOT overfill.
8. Reinstall oil fill cap. Finger tighten cap securely.
9. Wipe up any spilled oil.
10. Properly dispose of oil in an accordance with all local regulations.

Figure 31 – Fill Engine Oil



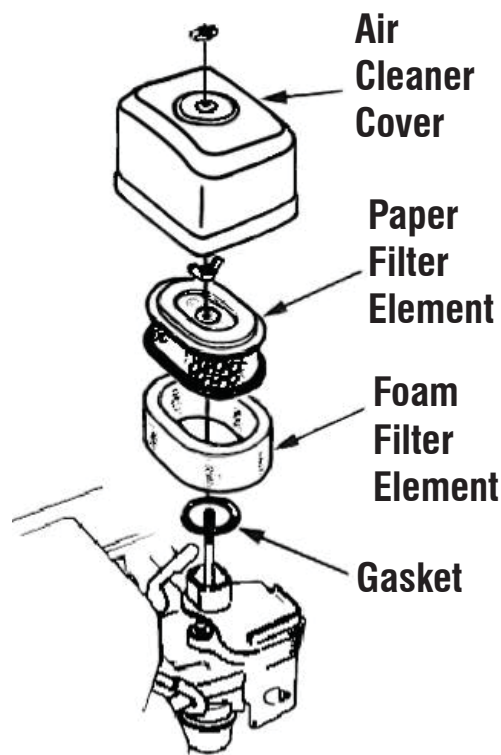
### SERVICE AIR CLEANER

Your engine will not run properly and may be damaged if you run it with a dirty air cleaner. Service more often if operating under dirty or dusty conditions.

To service the air cleaner, follow these steps:

1. Loosen screw and remove cover (Figure 32).
2. Carefully remove filter assembly.
3. Remove foam filter
4. To clean cartridge, gently tap on a flat surface.
5. Reinstall foam filter.
6. Reinstall clean or new cartridge assembly.
7. Install cover and tighten screw securely.

Figure 32 – Service the Air Cleaner

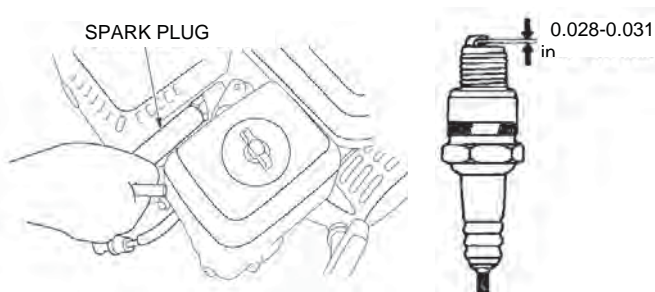


## SERVICE SPARK PLUG

Changing the spark plug will help your engine to start easier and run better.

1. Clean area around spark plug.
2. Remove and inspect spark plug (Figure 33).
3. Check electrode gap with wire feeler gauge and reset spark plug gap to recommended gap if necessary (see Specifications).
4. Replace spark plug if electrodes are pitted, burned or porcelain is cracked. Use the recommended replacement plug. See Specifications.
5. Install spark plug and tighten firmly.

Figure 33 – Change the Spark Plug



## INSPECT MUFFLER AND SPARK ARRESTER

Inspect the muffler for cracks, corrosion, or other damage. Remove the spark arrester, if equipped, and inspect for damage or carbon blockage. If replacement parts are required, make sure to use only original equipment replacement parts.

### ⚠ WARNING!



Contact with muffler area can result in serious burns. Exhaust heat/gases can ignite combustibles, structures or damage fuel tank causing a fire.

- DO NOT touch hot parts and AVOID hot exhaust gases.
  - Allow equipment to cool before touching.
  - Keep at least 5 feet (152 cm) of clearance on all sides of power washer including overhead.
  - It is a violation of California Public Resource Code, Section 4442, to use or operate the engine on any forest-covered, brush-covered, or grass-covered land unless the exhaust system is equipped with a spark arrester, as defined in Section 4442, maintained in effective working order. Other states or federal jurisdictions may have similar laws.
- Contact the original equipment manufacturer, retailer, or dealer to obtain a spark arrester designed for the exhaust system installed on this engine.
- Replacement parts must be the same and installed in the same position as the original parts.

## AFTER EACH USE

Water should not remain in the unit for long periods of time. Sediments or minerals can deposit on pump parts and freeze pump action. Follow these procedures after every use:

1. Shut off engine, turn off water supply, point gun in a safe direction, and squeeze trigger to relieve trapped pressure, and let engine cool.

### ⚠ DANGER!



The high pressure stream of water that this equipment produces can cut through skin and its underlying tissues, leading to serious injury and possible amputation. Spray gun traps high water pressure, even when engine is stopped and water is disconnected, which can cause injury.

- Keep high pressure hose connected to pump and spray gun while system is pressurized.
  - ALWAYS point spray gun in safe direction and squeeze spray gun trigger, to release high pressure, every time you stop engine. Engage trigger lock when not in use.
2. Disconnect hoses from spray gun and high pressure outlet on pump. Drain water from hoses, spray gun, and lance. Use a rag to wipe off the hose.
  3. Empty pump of all pumped liquids. Check that the engine ON/OFF switch and fuel valve are in the OFF position. Then pull the recoil handle about six times. This should remove most liquid in pump.
  4. Store unit in a clean, dry area.
  5. If storing for more than 30 days, see the Long Term Storage section.

# Maintenance

## **⚠ WARNING!**



**Fuel and its vapors are extremely flammable and explosive. Fire or explosion can cause severe burns or death.**

### **WHEN STORING FUEL OR EQUIPMENT WITH FUEL IN TANK**

- Store away from furnaces, stoves, water heaters, clothes dryers, or other appliances that have pilot light or other ignition source because they can ignite fuel vapors.

## **WINTER STORAGE**

### **NOTE:**

**You must protect your unit from freezing temperatures.**

- Failure to do so will permanently damage your pump and render your unit inoperable.
- Freeze damage is not covered under warranty.

To protect the unit from freezing temperatures:

1. Follow steps 1-3 in the previous section After Each Use.
2. Use pump saver to treat pump. This minimizes freeze damage and lubricates pistons and seals.
3. If pump saver is not available, connect a 3-foot section of garden hose to water inlet adapter. Pour RV-antifreeze (antifreeze without alcohol) into hose. Pull recoil handle twice. Disconnect 3-foot hose.
4. Store unit in a clean, dry area.

## **LONG TERM STORAGE**

If you do not plan to use the power washer for more than 30 days, you must prepare the engine and pump for long term storage.

### **PROTECT FUEL SYSTEM**

Fuel can become stale when stored over 30 days. Stale fuel causes acid and gum deposits to form in the fuel system or on essential carburetor parts. To keep fuel fresh, use a fuel stabilizer, available as a liquid additive or a drip concentrate cartridge.

There is no need to drain gasoline from the engine if a fuel stabilizer is added according to instructions. Run the engine for 2 minutes to circulate the stabilizer throughout the fuel system. The engine and fuel can then be stored up to 24 months.

If gasoline in the engine has not been treated with a fuel stabilizer, it must be drained into an approved container. Run the engine until it stops from lack of fuel. The use of a fuel stabilizer in the storage container is recommended to maintain freshness.

## **CHANGE OIL**

While engine is still warm, drain oil from crankcase. Refill with recommended grade. See Changing Engine Oil in Engine Maintenance.

## **PROTECTING THE PUMP**

To protect the pump from damage caused by mineral deposits or freezing, use PumpSaver, Model 61350, to treat pump. This prevents freeze damage and lubricates pistons and seals.

### **NOTE:**

**PumpSaver is available as an optional accessory. It is not included with the power washer. Contact the nearest authorized service center to purchase PumpSaver.**

### **NOTE:**

### **YOU MUST PROTECT YOUR UNIT FROM FREEZING TEMPERATURES.**

- Failure to do so will permanently damage your pump and render your unit inoperable.
- Freeze damage is not covered under warranty.

To use PumpSaver, make sure the power washer is turned off and disconnected from supply water. Read and follow all instructions and warnings given on the PumpSaver container.

## **OTHER STORAGE INSTRUCTIONS**

1. DO NOT store fuel from one season to another unless it has been treated as described in Protect Fuel System.
2. Replace fuel container if it starts to rust. Rust and/or dirt in fuel can cause problems if it's used with this unit.
3. Cover unit with a suitable protective cover that does not retain moisture.

## **⚠ WARNING!**



**Storage covers can be flammable.**

- DO NOT place a storage cover over a hot power washer.
  - Let equipment cool for a sufficient time before placing the cover on the equipment.
4. Store unit in a clean and dry area.

## TROUBLESHOOTING GUIDE

PROBLEM	CAUSE	CORRECTION
<b>Pump has following problems: failure to produce pressure, erratic pressure, chattering, loss of pressure, low water volume.</b>	<ol style="list-style-type: none"> <li>1. Low pressure nozzle installed.</li> <li>2. Water inlet is blocked.</li> <li>3. Inadequate water supply.</li> <li>4. Inlet hose is kinked or leaking.</li> <li>5. Clogged inlet hose screen.</li> <li>6. Water supply is over 100°F.</li> <li>7. High pressure hose is blocked or leaks.</li> <li>8. Spray gun leaks.</li> <li>9. Nozzle is obstructed.</li> <li>10. Pump is faulty.</li> </ol>	<ol style="list-style-type: none"> <li>1. Replace with high pressure nozzle.</li> <li>2. Clear inlet.</li> <li>3. Provide adequate water flow.</li> <li>4. Straighten inlet hose, patch leak.</li> <li>5. Check and clean inlet hose screen.</li> <li>6. Provide cooler water supply.</li> <li>7. Clear blocks in outlet hose or replace hose.</li> <li>8. Replace spray gun.</li> <li>9. Clean nozzle.</li> <li>10. Contact local service facility.</li> </ol>
<b>Detergent fails to mix with spray.</b>	<ol style="list-style-type: none"> <li>1. Detergent siphoning tube is not submerged.</li> <li>2. Detergent siphoning tube/filter is clogged or cracked.</li> <li>3. High pressure nozzle installed.</li> </ol>	<ol style="list-style-type: none"> <li>1. Insert detergent siphoning tube into detergent.</li> <li>2. Clean or replace filter/detergent siphoning tube.</li> <li>3. Replace with low pressure nozzle.</li> </ol>
<b>Engine runs well at no-load but "bogs" when load is added.</b>	<ol style="list-style-type: none"> <li>1. Engine speed is too slow.</li> </ol>	<ol style="list-style-type: none"> <li>1. Move throttle control to FAST position. If engine still "bogs down", contact local service facility.</li> </ol>
<b>Engine will not start; or starts and runs rough.</b>	<ol style="list-style-type: none"> <li>1. Low oil level, "Oil Alert System".</li> <li>2. Dirty air cleaner.</li> <li>3. Out of fuel.</li> <li>4. Stale fuel.</li> <li>5. Spark plug wire not connected to spark plug.</li> <li>6. Bad spark plug.</li> <li>7. Water in fuel.</li> <li>8. Excessively rich fuel mixture.</li> </ol>	<ol style="list-style-type: none"> <li>1. Fill crankcase to proper level.</li> <li>2. Clean or replace air cleaner.</li> <li>3. Fill fuel tank.</li> <li>4. Drain fuel tank; fill with fresh fuel.</li> <li>5. Connect wire to spark plug.</li> <li>6. Replace spark plug.</li> <li>7. Drain fuel tank; fill with fresh fuel.</li> <li>8. Contact local service facility.</li> </ol>
<b>Engine shuts down during operation.</b>	<ol style="list-style-type: none"> <li>1. Out of fuel.</li> </ol>	<ol style="list-style-type: none"> <li>1. Fill fuel tank.</li> </ol>
<b>Engine lacks power.</b>	<ol style="list-style-type: none"> <li>1. Dirty air filter.</li> </ol>	<ol style="list-style-type: none"> <li>1. Replace air filter.</li> </ol>

# Warranty

## U.S. EPA EMISSION CONTROL WARRANTY STATEMENT YOUR WARRANTY RIGHTS AND OBLIGATIONS

The United States Environmental Protection Agency (EPA) and Generac Power Systems, Inc. (Generac) are pleased to explain the Emission Control System Warranty (ECS Warranty) on your new 2011 and later equipment. New equipment that use small spark-ignited engines must be designed, built, and equipped to meet stringent anti-smog standards for the federal government. Generac will warrant the emission control system on your equipment for the period of time listed below provided there has been no abuse, neglect, unapproved modification or improper maintenance of your equipment. The emission control system on this equipment includes all components whose failure would increase the emissions of any regulated pollutant. These components are listed in the Emissions Information section of this manual.

### MANUFACTURER'S WARRANTY COVERAGE:

This ECS Warranty is valid for two years, or for the same period as specified in the Generac Limited Warranty, whichever is longer. For equipment with hour meters, the warranty period is a number of hours equal to half the Useful Life to which the equipment is certified, or the warranty period specified above in years, whichever is less. The Useful Life can be found on the Emission Control Label on the engine. If, during such warranty period, any emission-related part on your equipment is found to be defective in materials or workmanship, repairs or replacement will be performed by a Generac Authorized Warranty Service Dealer.

### OWNER'S WARRANTY RESPONSIBILITIES:

As the equipment owner, you are responsible for the completion of all required maintenance as listed in your factory supplied Owner's Manual. For warranty purposes, Generac recommends that you retain all receipts covering maintenance on your generator, but Generac cannot deny warranty solely due to the lack of receipts.

You should be aware that Generac may deny any and/or all warranty coverage or responsibility if your equipment, or a part/component thereof, has failed due to abuse, neglect, improper maintenance, or unapproved modifications.

**You are responsible for contacting a Generac Authorized Warranty Dealer as soon as a problem occurs. The warranty repairs should be completed in a reasonable amount of time, not to exceed 30 days.**

Warranty service can be arranged by contacting either your selling dealer or a Generac Authorized Warranty Service Dealer. To locate the Generac Authorized Warranty Service Dealer nearest you, call our toll free number below, or email [emissions@generac.com](mailto:emissions@generac.com).

**1-800-333-1322**

**IMPORTANT NOTE:** This warranty statement explains your rights and obligations under the Emission Control System Warranty, which is provided to you by Generac pursuant to federal law. See also the "Generac Limited Warranties for Generac Power Systems, Inc.," which is enclosed herewith on a separate sheet, also provided to you by Generac. Note that this warranty shall not apply to any incidental, consequential or indirect damages caused by defects in materials or workmanship or any delay in repair or replacement of the defective part(s). This warranty is in place of all other warranties, expressed or implied. Specifically, Generac makes no other warranties as to the merchantability or fitness for a particular purpose. Any implied warranties which are allowed by law, shall be limited in duration to the terms of the express warranty provided herein. Some states do not allow limitations on how long an implied warranty lasts, so the above limitation may not apply to you.

The ECS Warranty applies only to the emission control system of your new equipment. Both the ECS Warranty and the Generac Warranty describe important rights and obligations with respect to your new engine.

Warranty service can be performed only by a Generac Authorized Warranty Service Facility. When requesting warranty service, evidence must be presented showing the date of the sale to the original purchaser/owner.

If you have any questions regarding your warranty rights and responsibilities, you should contact Generac at the following address:

**ATTENTION WARRANTY DEPARTMENT  
GENERAC POWER SYSTEMS, INC.  
P.O. BOX 297 • WHITEWATER, WI 53190**

Part 1 of 2

Part No. 0J3335 Rev. C 11/11

# Warranty

## EMISSION CONTROL SYSTEM WARRANTY

Emission Control System Warranty (ECS Warranty) for equipment using small spark-ignited engines:

- (a) Applicability: This warranty shall apply to equipment that uses small off-road engines. The ECS Warranty period shall begin on the date the new equipment is purchased by/delivered to its original, end-use purchaser/owner and shall continue for the lesser of:
- (1) The period of time specified in the Generac Limited Warranty enclosed herewith, but not less than 24 months, or
  - (2) For engines equipped with hour meters, a number of operating hours equal to half of the engine's useful life. The useful life is specified on the Emissions Control Label on the engine.
- (b) General Emissions Warranty Coverage: Generac warrants to the original, end-use purchaser/owner of the new engine or equipment and to each subsequent purchaser/owner that the ECS when installed was:
- (1) Designed, built and equipped so as to conform with all applicable regulations; and
  - (2) Free from defects in materials and workmanship which cause the failure of a warranted part at any time during the ECS Warranty Period.
- (c) The warranty on emissions-related parts will be interpreted as follows:
- (1) Any warranted part that is not scheduled for replacement as required maintenance in the Owner's Manual shall be warranted for the ECS Warranty Period. If any such part fails during the ECS Warranty Period, it shall be repaired or replaced by Generac according to Subsection (4) below. Any such part repaired or replaced under the ECS Warranty shall be warranted for the remainder of the ECS Warranty Period.
  - (2) Any warranted part that is scheduled only for regular inspection as specified in the Owner's Manual shall be warranted for the ECS Warranty Period. A statement in the Owner's Manual to the effect of "repair or replace as necessary" shall not reduce the ECS Warranty Period. Any such part repaired or replaced under the ECS Warranty shall be warranted for the remainder of the ECS Warranty Period.
  - (3) Any warranted part that is scheduled for replacement as required maintenance in the Owner's Manual shall be warranted for the period of time prior to first scheduled replacement point for that part. If the part fails prior to the first scheduled replacement, the part shall be repaired or replaced by Generac according to Subsection (4) below. Any such emissions-related part repaired or replaced under the ECS warranty shall be warranted for the remainder of the period prior to the first scheduled replacement point for that part.
  - (4) Repair or replacement of any warranted, emissions-related part under this ECS Warranty shall be performed at no charge to the owner at a Generac Authorized Warranty Service Facility.
  - (5) Notwithstanding the provisions of subsection (4) above, warranty services or repairs must be provided at Generac Authorized Service Facilities.
  - (6) When the engine is inspected by a Generac Authorized Warranty Service Facility, the purchaser/owner shall not be held responsible for diagnostic costs if the repair is deemed warrantable.
  - (7) Throughout the ECS Warranty Period, Generac shall maintain a supply of warranted emission-related parts sufficient to meet the expected demand for such parts.
  - (8) Any Generac authorized and approved emission-related replacement parts may be used in the performance of any ECS Warranty maintenance or repairs and will be provided without charge to the purchaser/owner. Such use shall not reduce Generac's ECS Warranty obligations.
  - (9) No modifications, other than those explicitly approved by Generac, may be made to the generator. Unapproved modifications void this ECS Warranty and shall be sufficient ground for disallowing an ECS Warranty claim.
  - (10) Generac shall not be held liable hereunder for failures of any non-authorized replacement parts, or failures of any authorized parts caused by the use of non-authorized replacement parts.

### EMISSION RELATED PARTS MAY INCLUDE THE FOLLOWING (IF EQUIPPED):

- |                                  |                          |
|----------------------------------|--------------------------|
| 1) FUEL METERING SYSTEM          | 3) IGNITION SYSTEM       |
| A. CARBURETOR AND INTERNAL PARTS | A. SPARK PLUGS           |
| B. FUEL TANK/CAP                 | B. IGNITION COILS/MODULE |
| C. FUEL LINES                    | 4) AIR INJECTION SYSTEM  |
| D. EVAPORATIVE VENT LINES        | A. PULSE AIR VALVE       |
| E. REGULATOR (GASEOUS FUELS)     | 5) EXHAUST SYSTEM        |
| 2) AIR INDUCTION SYSTEM          | A. CATALYST              |
| A. INTAKE MANIFOLD               | B. EXHAUST MANIFOLD      |
| B. AIR FILTER                    |                          |

# Warranty

## GENERAC POWER SYSTEMS “TWO YEAR” LIMITED WARRANTY FOR POWER WASHERS

For a period of two years from the date of original sale, Generac Power Systems, Inc. (Generac) warrants its Power Washers will be free from defects in materials and workmanship for the items and period set forth below. Generac will, at its option, repair or replace any part which, upon examination, inspection and testing by Generac or a Generac Authorized Warranty Service Dealer, is found to be defective. Repair or replacement pursuant to this limited warranty shall not renew or extend the original warranty period. Any repaired product shall be warranted for the remaining original warranty period only. Any equipment that the purchaser/owner claims to be defective must be returned to and examined by the nearest Generac Authorized Warranty Service Dealer. All transportation costs under the warranty, including return to the factory, are to be borne and prepaid by the purchaser/owner. This warranty applies only to Generac Power Washers and is not transferable from original purchaser. Save your proof-of-purchase receipt. If you do not provide proof of the initial purchase date, the manufacturer's shipping date of the product will be used to determine the warranty period.

### WARRANTY SCHEDULE

Consumer applications are warranted for two (2) years.

#### **CONSUMER APPLICATION**

YEAR ONE – Limited comprehensive coverage on Labor and Part(s) (proof of purchase and maintenance is required):

- All Components

YEAR TWO - Limited comprehensive coverage on Part(s) (proof of purchase and maintenance is required):

- Engine only – Major components including: Block, head, crank, cam, rods and pistons.

**NOTE:** For the purpose of this warranty “consumer use” means personal residential household or recreational use by original purchaser. Any use of the Power Washer in a commercial or rental application will void the warranty.

### GUIDELINES

- The customer is responsible to read and follow all operating instructions.
- Products that are damaged due to improper operation, will not be covered by warranty. This includes water pump components that are started without the required water flow and pressure.
- The customer will be responsible to transport the product to an authorized Generac repair facility for all Warranty All Components.
- Verification of maintenance may be requested for coverage of Warranty Repairs.
- Warranty Labor Rates are based on normal working hours. Additional costs for overtime, holiday or emergency labor costs for repairs outside normal business hours will be the responsibility of the customer.
- Warranty Parts shipment costs are reimbursed at ground shipment rates. Costs related to requests for expedited shipping will be the responsibility of the customer.

### THIS WARRANTY SHALL NOT APPLY TO THE FOLLOWING:

- Generac Power Washers that utilize non-Generac replacement parts.
- Costs of normal maintenance and adjustments.
- Failures caused by any contaminated or improper fuels, oils or lack of proper oil levels, or contaminated water.
- Repairs or diagnostics performed by individuals other than Guardian/Generac authorized dealers not authorized in writing by Generac Power Systems.
- Failures due, but not limited, to normal wear and tear, accident, misuse, abuse, negligence or improper use. As with all mechanical devices, the Generac engines need periodic part(s) service and replacement to perform as designed. This warranty will not cover repair when normal use has exhausted the life of a part(s) or engine.
- Failures caused by any act of God and/or other force majeure events beyond the manufacturer's control.
- Water freezing in the pump (water must be drained from the pump at the end of the season in freezing climates).
- Damage related to rodent and/or insect infestation.
- Products that are modified or altered in a manner not authorized by Generac in writing.
- Any incidental, consequential or indirect damages caused by defects in materials or workmanship, or any delay in repair or replacement of the defective part(s).
- Failure due to misapplication.
- Expenses related to “customer instruction” or troubleshooting where no manufacturing defect is found.
- Rental equipment used while warranty repairs are being performed.
- Starting batteries, fuses, filters, light bulbs and engine fluids.

THIS WARRANTY IS IN PLACE OF ALL OTHER WARRANTIES, EXPRESSED OR IMPLIED, SPECIFICALLY, GENERAC POWER SYSTEMS MAKES NO OTHER WARRANTIES AS TO THE MERCHANTABILITY OR FITNESS FOR A PARTICULAR PURPOSE. Any implied warranties which are allowed by law, shall be limited in duration to the terms of the express warranty provided herein. Some states do not allow limitations on how long an implied warranty lasts, so the above limitation may not apply to purchaser/owner.

GENERAC POWER SYSTEMS ONLY LIABILITY SHALL BE THE REPAIR OR REPLACEMENT OF PART(S) AS STATED ABOVE. IN NO EVENT SHALL GENERAC POWER SYSTEMS BE LIABLE FOR ANY INCIDENTAL, OR CONSEQUENTIAL DAMAGES, EVEN IF SUCH DAMAGES ARE A DIRECT RESULT OF GENERAC POWER SYSTEMS, INC. NEGLIGENCE. Some states do not allow the exclusion or limitation of incidental or consequential damages, so the above limitations may not apply to purchaser/owner. Purchaser/owner agrees to make no claims against Generac Power Systems, Inc. based on negligence. This warranty gives purchaser/owner specific legal rights. Purchaser/owner also may have other rights that vary from state to state.

**GENERAC POWER SYSTEMS, INC. • P.O. BOX 8 • Waukesha, WI 53187 • Ph: (888) GENERAC (436-3722) • Fax: (262) 544-4851**

**To locate the nearest Authorized Dealer visit our website [www.generac.com](http://www.generac.com)**