

DOLMAR

English / Français / Español



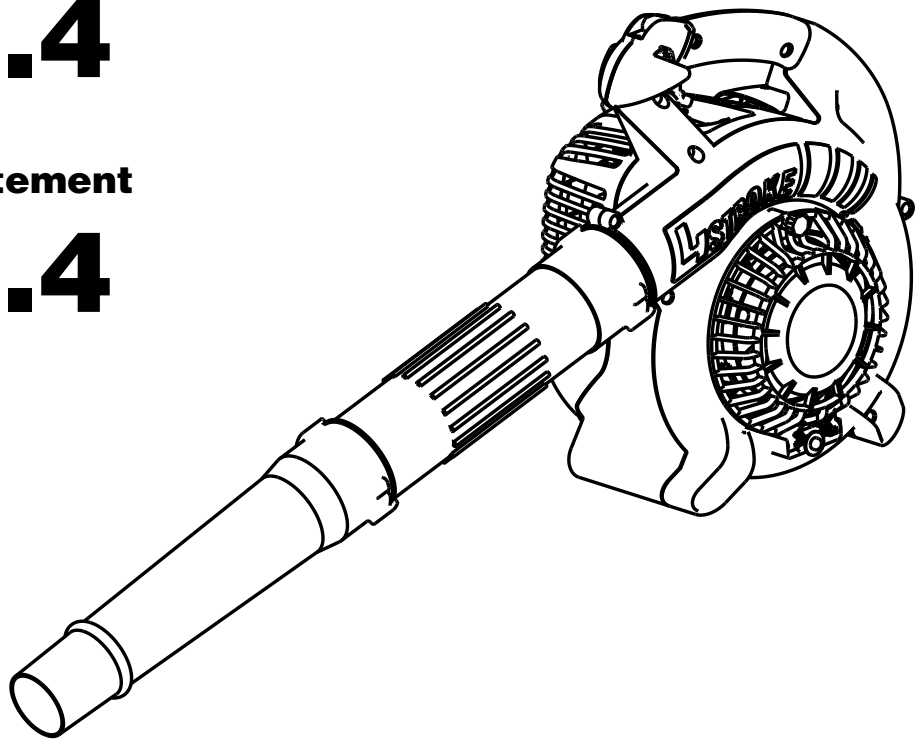
GASOLINE BLOWER SOUFFLEUR À ESSENCE SOPLADOR DE GASOLINA

DOLMAR CA Statement

PB-251.4

DOLMAR non CA Statement

PB-250.4



INSTRUCTION MANUAL

(P2~P18)

Important:

Read this instruction manual carefully before putting the Blower into operation and strictly observe the safety regulations! Preserve instruction manual carefully!

INSTRUCTIONS D'EMPLOI

(P19~P35)

Importante:

Lisez attentivement ce manuel utilisateur avant de mettre en route le souffleur et respectez scrupuleusement les consignes de sécurité. Conservez soigneusement ce manuel.

MANUAL DE INSTRUCCIONES

(P36~P52)

Importante:

Lea bien este manual antes de poner el soplador en funcionamiento, y observe estrictamente las medidas de seguridad. Conserve este manual de instrucciones.



WARNING: The Engine Exhaust from this product contains chemicals known to the state of California to cause cancer, birth defects or other reproductive harm.

Thank you very much for selecting the DOLMAR blower. We are pleased to be able to offer you the DOLMAR blower which is the result of a long development programme and many years of knowledge and experience.

The blower models PB-250.4 / PB-251.4 combines the advantages of state-of-the-art technology with ergonomic design. They are of light weight, handy, compact and represent professional equipment for a great variety of applications.

Please read, understand and follow this booklet which refers in detail to the various points that will demonstrate its outstanding performance. This will assist you to safely obtain the best possible results from your DOLMAR Blower.



Table of contents

	Page
SYMBOLS.....	2
SAFETY INSTRUCTIONS	3
SPECIFICATION	6
DESIGNATION OF PARTS	7
ASSEMBLY INSTRUCTIONS	8
BEFORE START OF OPERATION	9
OPERATION	11
ADJUSTMENT OF IDLING.....	12
OPERATION METHOD.....	13
INSPECTION AND MAINTENANCE	14
STORAGE.....	16
TROUBLESHOOTING	18

SYMBOLS

It is very important to understand the following symbols when reading this instructions manual.

	WARNING/DANGER		Fuel (Gasoline)
	Read, Understand and Follow Instruction Manual		Engine-manual Start
	Forbidden		Emergency Stop
	No Smoking		First Aid
	No Open Flame		Recycling
	Protective Gloves must be Worn		Recycling
	Keep the Area of Operation Clear of All Persons and Pets		ON/START
	Wear Eye and Ear Protection		OFF/STOP
			Severing of fingers or hand, impeller blade

SAFETY INSTRUCTIONS

General Instructions

- To ensure correct and safe operation, the user must read, understand and follow this instruction manual to assure familiarity with the handling of the blower (1). Users insufficiently informed will risk danger to themselves as well as others due to improper handling.
- It is recommended only to loan the blower to people who have proven to be experienced with blowers.
- Always hand over the instruction manual.
- First-time users should ask the dealer for basic instructions to familiarize oneself with the handling of a blower.
- Children and young persons aged under 18 years must not be allowed to operate the blower. Persons over the age of 16 years may however use the tool for the purpose of being trained only while under the direct supervision of a qualified trainer.
- Use blowers with the utmost care and attention.
- Operate the blower only if you are in good physical condition.
- Perform all work conscientiously and carefully. The user has to accept responsibility for others.
- Never use the blower while under the influence of alcohol or drugs (2).
- Do not use the unit when you are tired.
- Save these instructions for future referral.

Personal Protective Equipment

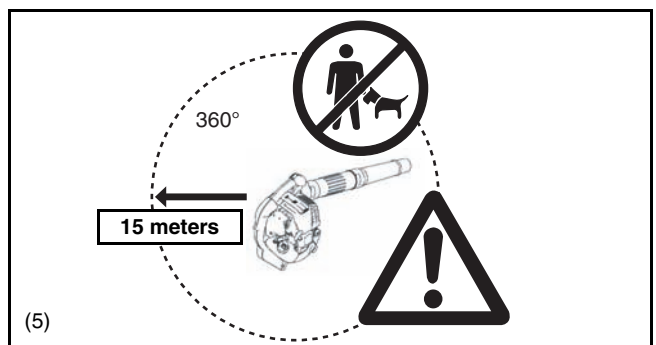
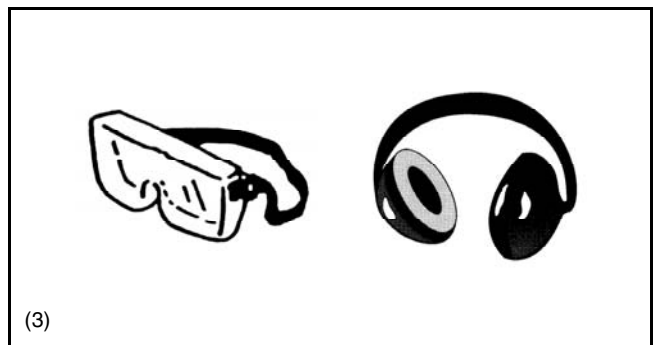
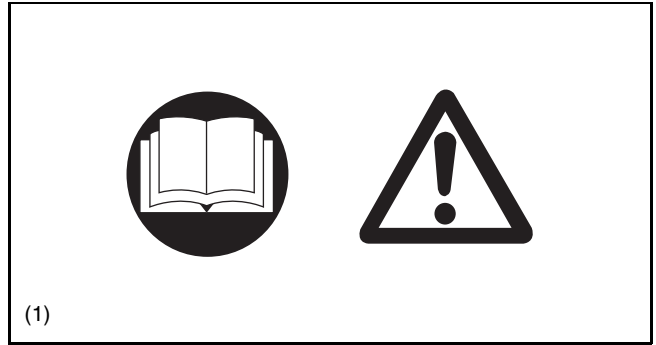
- The clothing worn should be functional and appropriate, i. e. It should be tight-fitting but not cause a hindrance. Do not wear jewelry, clothing or long hair which could be drawn into the air intake.
- In order to avoid head-, eye-, hand- or foot injuries as well as to protect your hearing the following protective equipment and protective clothing must be used during operation of the blower.

Pay particular attention to the following regulations

- Clothing must be sturdy and snug-fitting, but allow complete freedom of movement. Avoid loose-fitting jackets, flared or cuffed pants, scarf, unconfined long hair or anything that could be drawn into the air intake. Wear overalls or long pants to protect your legs. Do not wear shorts. (4)
- Blower noise may damage your hearing. Wear sound barriers (ear plugs or ear muffs) to protect your hearing. Continual and regular users should have their hearing checked regularly. (3)
- Use of gloves when working with the blower is recommended. Good footing is most important. Wear sturdy shoes with non slip soles. (4)
- Proper eye protection is a must. Even though the discharge is directed away from the operator, ricochets and bounce backs can occur during blower operation. (3)
- Never operate a blower unless wearing goggles or properly fitted safety glasses with adequate top and side protection which comply with ANSI Z 87. 1 (or your applicable national standard).

Starting up the blower

- Please make sure that there are no children or other people within a working range of 15 meters (5), also pay attention to any animals in the working vicinity. Never use the blower in urban areas.
- Before operating, always check that the blower is safe for operation: Check the security of the throttle lever. The throttle lever should be checked for smooth and easy action. Check for proper functioning of the throttle lever lock. Check for clean and dry handles and test the function of the I-O switch. Keep handles free of oil and fuel.



Start the Blower only in accordance with the instructions.
Do not use any other methods for starting the engine (6) !

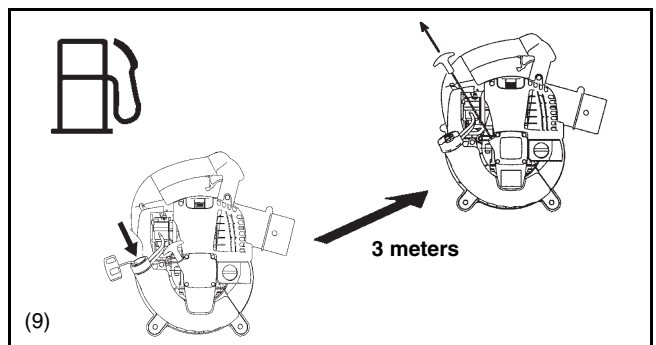
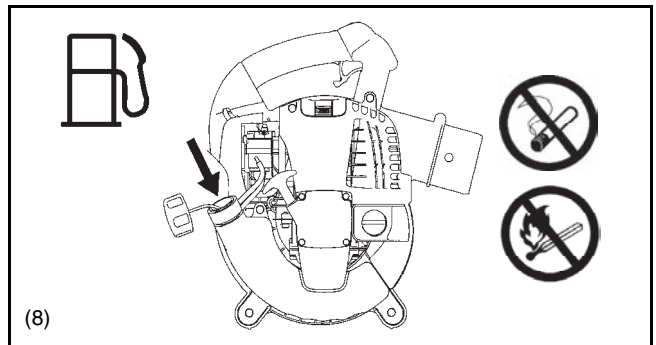
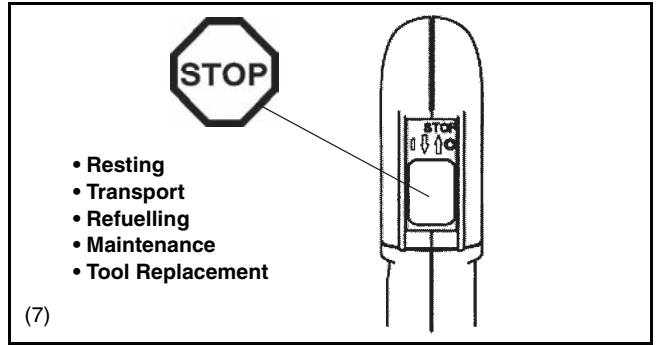
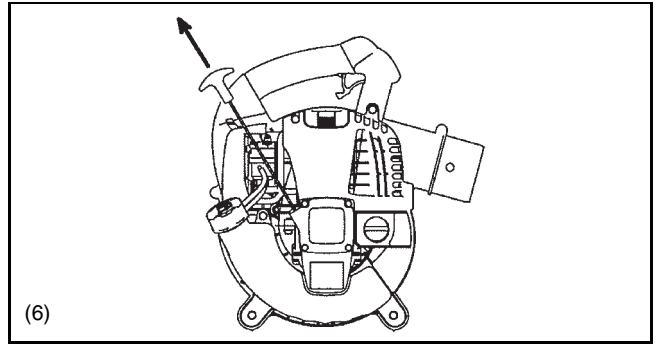
- Use the blower and the tools supplied only for applications specified.
- Start the blower engine only after the entire tool has been assembled. Operation of the tool is permitted only after all the appropriate accessories are attached.
- The engine is to be switched off immediately if there are any engine problems.
- When working with the blower, always wrap your fingers tightly around the handle, keeping the control handle cradled between your thumb and forefinger. Keep your hand in this position to have your machine under control at all times. Make sure your control handle (and grip for vacuum attachment) are in good condition and free of moisture, pitch, oil or grease.

Always ensure a safe, well-balanced footing.

- Operate the blower in such a manner as to avoid inhalation of the exhaust gases. Never run the engine in enclosed rooms (risk of suffocation and gas poisoning). Carbon monoxide is an odorless gas. Always ensure there is adequate ventilation.
- Switch off the engine when resting and when leaving the blower unattended. Place it in a safe location prevent danger to others, setting fire to combustible materials, or damage to the machine.
- Never lay the hot blower onto dry grass or onto any combustible materials.
- All protective parts and guards supplied with the machine must be used during operation.
- Never operate the engine with a faulty exhaust muffler.
- Shut off the engine during transport (7).
- Position the blower safely during car or truck transportation to avoid fuel leakage.
- When transporting the blower, ensure that the fuel tank is completely empty.

Refuelling

- Shut off the engine during refuelling (7), keep well away from open flame (8) and do not smoke.
- Avoid skin contact with petroleum products. Do not inhale fuel vapor. Always wear protective gloves during refuelling. Change and clean protective clothing at regular intervals.
- Take care not to spill either fuel or oil in order to prevent soil contamination (environmental protection). Clean the blower immediately after fuel has been spilt. Allow wet cloths to dry before disposing in properly covered container to prevent spontaneous combustion.
- Avoid any fuel contact with your clothing. Change your clothing immediately if fuel has been spilled on it (fire hazard).
- Inspect the fuel cap at regular intervals making sure that it stays securely fastened.
- Carefully tighten the locking screw of the fuel tank. Change locations to start the engine (at least 3 meters away from the place of refuelling) (9).
- Never refuel in closed rooms. Fuel vapors accumulate at ground level (risk of explosions)
- Only transport and store fuel in approved containers. Make sure stored fuel is not accessible to children.
- Do not attempt to refuel a hot or a running engine.



Method of operation

- Use the blower only in good light and visibility. During cold seasons beware of slippery or wet areas, ice and snow (risk of slipping). Always ensure a safe footing.
- Never work on unstable surfaces or steep terrain.
- To reduce the risk of personal injury, do not direct air blast towards bystanders, since the high pressure of the air flow could injure eyes and could blow small objects at great speed.
- Never insert any foreign object into the air intake of the machine or into the nozzle of the blower. It will damage the fan wheel and may cause serious injury to the operator or bystanders as a result of the object or broken parts being thrown out at high speed.
- Pay attention to the direction of the wind, i.e., do not work against the wind.
- To reduce the risk of stumbling and loss of control, do not walk backward while operating the machine.
- Always shut off the engine before cleaning or servicing the unit or replacing parts.

Maintenance instructions

- Be kind to the environment. Operate the blower with as little noise and pollution as possible. In particular check the correct adjustment of the carburetor.
- Clean the blower at regular intervals and check that all screws and nuts are securely tightened.
- Never service or store the blower in the vicinity of open flames, sparks, etc. (11).
- Always store the blower in a well-ventilated locked room and with an emptied fuel tank.

Observe and follow all relevant accident prevention instructions issued by the trade associations and by insurance companies. Do not perform any modifications to the blower as this will risk your safety.

The performance of maintenance or repair work by the user is limited to those activities as described in this instruction manual. All other work is to be done by Authorized Service Agents.

Use only genuine spare parts and accessories supplied by DOLMAR. Use of non-approved accessories and tools means increased risk of accidents and injuries. DOLMAR will not accept any liability for accidents or damage caused by the use of any non-approved attachment or accessories.

First Aid

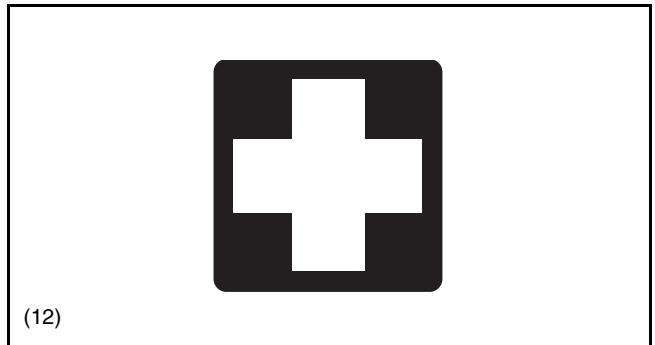
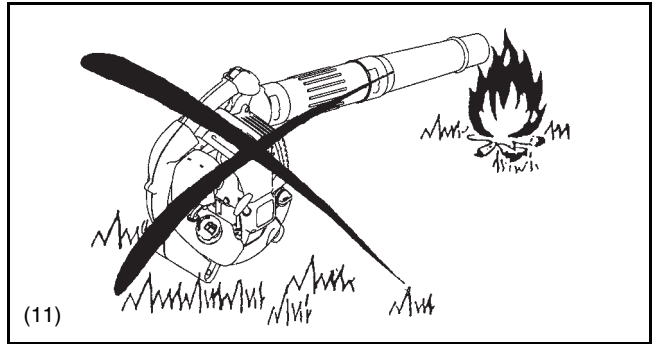
In case of accident make sure that a well-stocked first-aid kit is available in the vicinity of the operations. Immediately replace any item taken from the first aid kit.

When asking for help, please give the following information:

- Place of accident
- What happened
- Number of injured persons
- Extent of injuries
- Your name

Packaging

The DOLMAR blower is delivered in a protective cardboard box to prevent shipping damage. Cardboard is a basic raw material and is therefore consequently reusable or suitable for recycling (waste paper recycling).



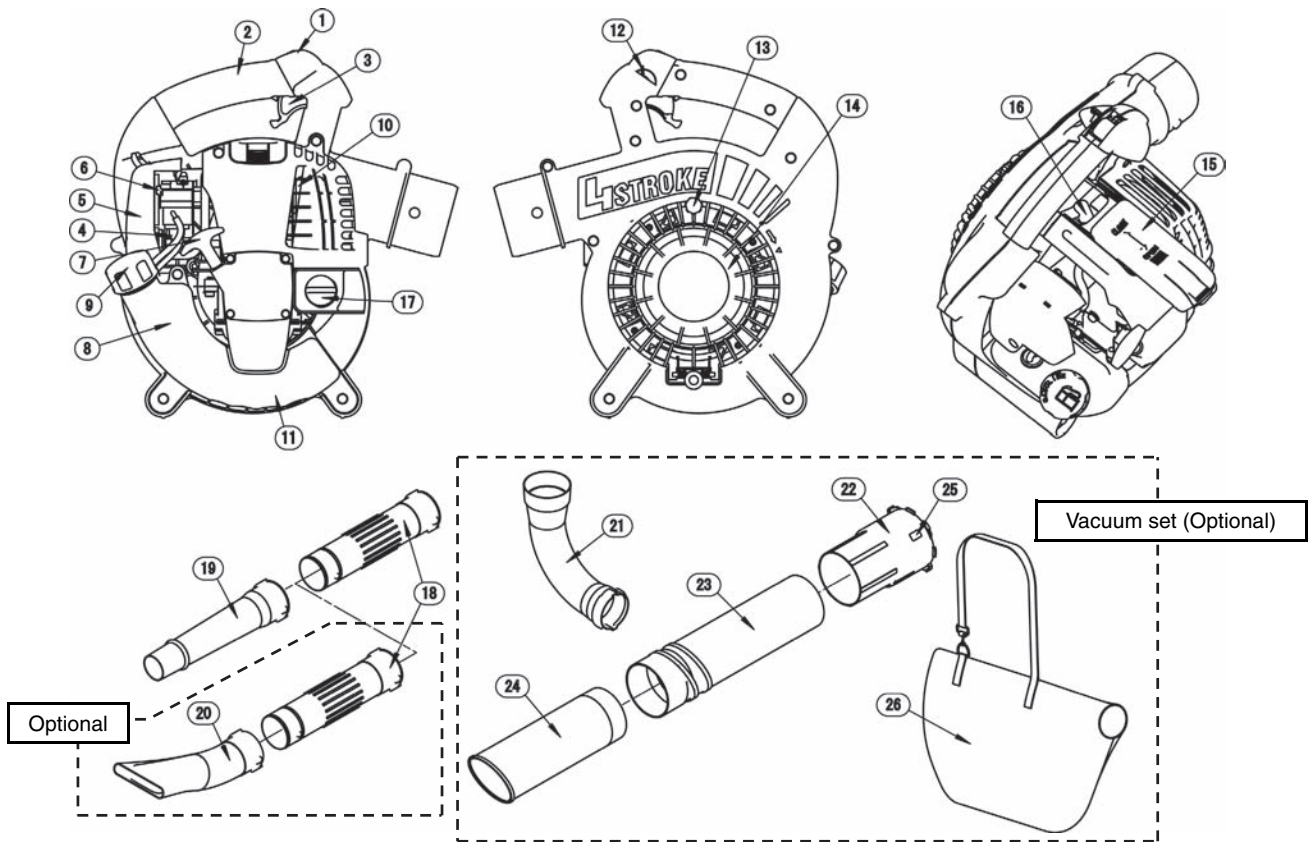
SPECIFICATION

Model		PB-250.4 PB-251.4
Mass (without blower pipe)	(kg)	4.5 (9.9 lbs)
Dimension (without blower pipe L x W x H)	(mm)	350×231×368 (13.8×9.1×14.5 in)
Max. engine speed	(/min)	7,800
Idling speed	(/min)	3,500
Engine displacement	(mL)	24.5 (1.49 cu.in)
Fuel		Automobile gasoline
Fuel tank capacity	(L)	0.52 (17.6 fl.oz)
Engine oil		SAE 10W-30 oil of API Classification, Class SF or higher (4-stroke engine for automobile)
Engine oil volume	(L)	0.08 (2.7 fl.oz)
Carburetor (Diaphragm-carburetor)		WALBRO WYL
Ignition system		Solid state ignition
Spark plug		NGK CMR6A
Electrode gap	(mm)	0.7 - 0.8 (0.028-0.031 in)
Noise Level (50 Feet per ANSI B175-2-2000)	(dB(A))	67

Notes:

1. Use the oil and spark plug specified by DOLMAR.
2. This specification is subject to change without prior notice.

DESIGNATION OF PARTS



DESIGNATION OF PARTS	DESIGNATION OF PARTS	DESIGNATION OF PARTS	DESIGNATION OF PARTS
1. Stop switch	8. Fuel Tank	15. Plug Cover	22. Vacuum Pipe A
2. Main Handle	9. Fuel Tank Cap	16. Spark Plug	23. Vacuum Pipe B
3. Trigger Lever	10. Muffler	17. Oil Cap	24. Vacuum Pipe C
4. Primer Pump	11. Assist Handle	18. Blower Tube	25. Arrow Mark
5. Air Cleaner Cover	12. Cruise Control Lever	19. Blower Nozzle A	26. Dust Bag
6. Choke Lever	13. Screw	20. Blower Nozzle B	
7. Starter Handle	14. Protector	21. Elbow	

ASSEMBLY INSTRUCTIONS



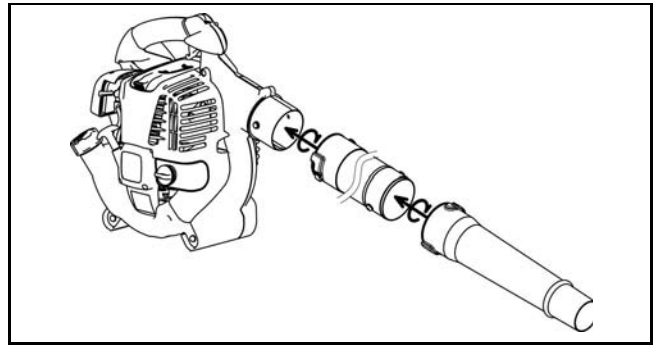
CAUTION : Before performing any work on the blower, always switch off the motor and pull the spark plug connectors off the spark plug.

Always wear protective gloves!

CAUTION : Start the blower only after having assembled it completely.

1. ASSEMBLY OF BLOWER PIPES

- 1) Align grooves in the blower pipe with pegs on the blower housing and slide the pipe onto housing.
- 2) Turn the blower pipe clockwise to lock it into place.



2. ASSEMBLY OF VACUUM ATTACHMENT

1) Installing Vacuum pipe (nozzle)



- (1) Loosen the screw ① and open the protector ②.

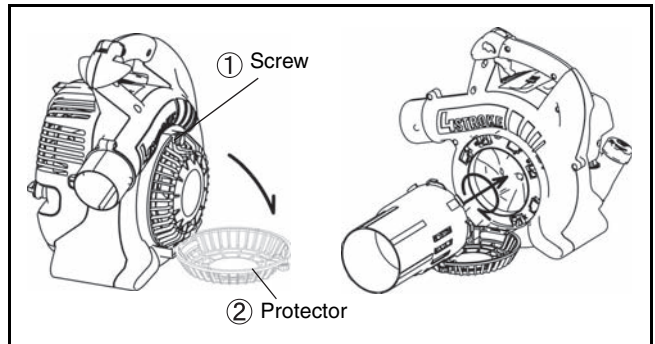


WARNING!

When using this machine as a blower, be sure to confirm that the screw ① is not loosened at each time of startup. If the screw is loosened, retighten it.

It is dangerous to operate the machine with the screw ① loosened. The operator's finger or clothing may be caught in the impeller, which will result in a serious accident.

- (2) Align the  indicated on the vacuum pipe with the "●" indicated on the blower. Then insert the vacuum pipe into the blower.
- (3) Turn the vacuum pipe until the  is aligned with the "▼" indicated on the blower to lock the vacuum pipe.



WARNING!

Always hold the mounting end of the vacuum pipe when attaching/detaching the vacuum pipe.

2) Installing Elbow and Dust Bag

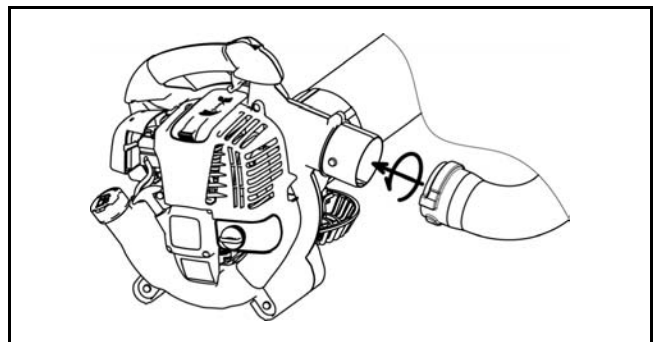
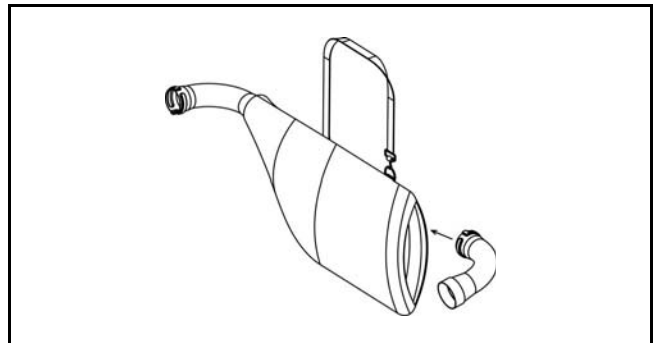
- (1) Open the fastener of the dust bag.
- (2) Insert the elbow into the dust bag and take it out through the bag's entry.
- (3) Install the elbow on the blower.



WARNING!

Do not attempt to pick up large wood chips, metals, glass, stones, liquids, lighted cigarettes, fire works or the like.

Always mount the protector/vacuum pipe in the right way before operation. Operation without the protector/vacuum pipe is dangerous, the impeller may catch the operator's fingers or clothes and it can result in serious injury.



BEFORE START OF OPERATION

1. Inspection and Refill of Engine Oil

(1) Perform the following procedure when the engine is cool.

Assure engine is on a flat horizontal surface as shown in Figure 1.

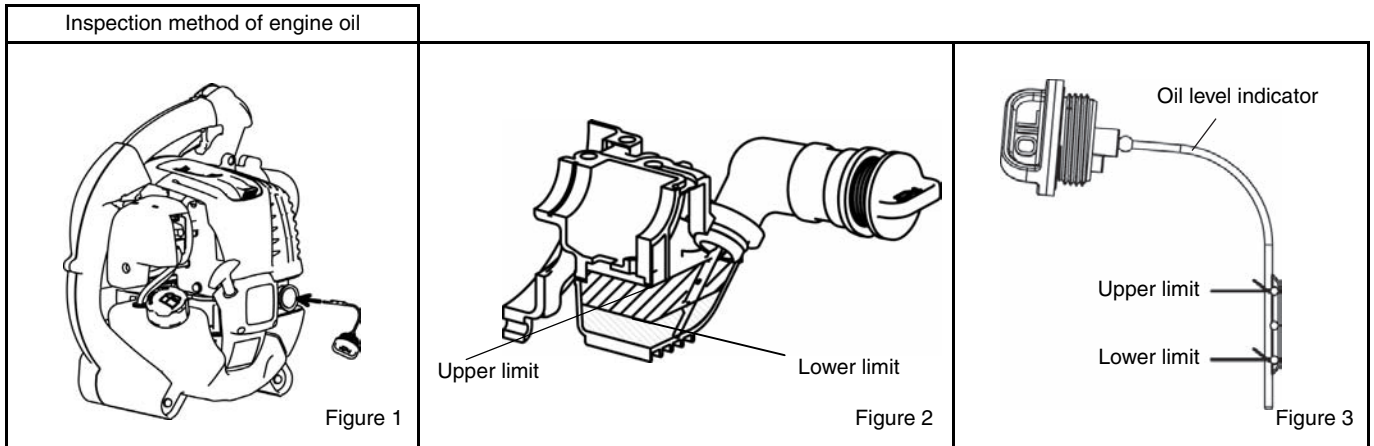
- **Inspection:** Remove the oil cap. Wipe clean the oil level indicator. Reinstall the oil cap (Figure 2) and remove. Confirm if the oil is between the lower or upper limit of the oil indicator.
- **Refill:** After inspection if the oil is below the lower limit add oil through the same opening that the oil cap was removed. See Figure 4 on how to orient the engine to refill the oil.

(2) You may need to refill oil approximately every 10 hours of use (every 10 refuellings).

(3) If the oil changes in color or mixes with dirt, replace the oil. (For the interval and method of replacement, refer to P. 14)

Recommended oil: SAE 10W-30 oil of API Classification, Class SF or higher (4-stroke engine for automobile)

Oil volume: Approx. 0.08 L (2.7 fl.oz)

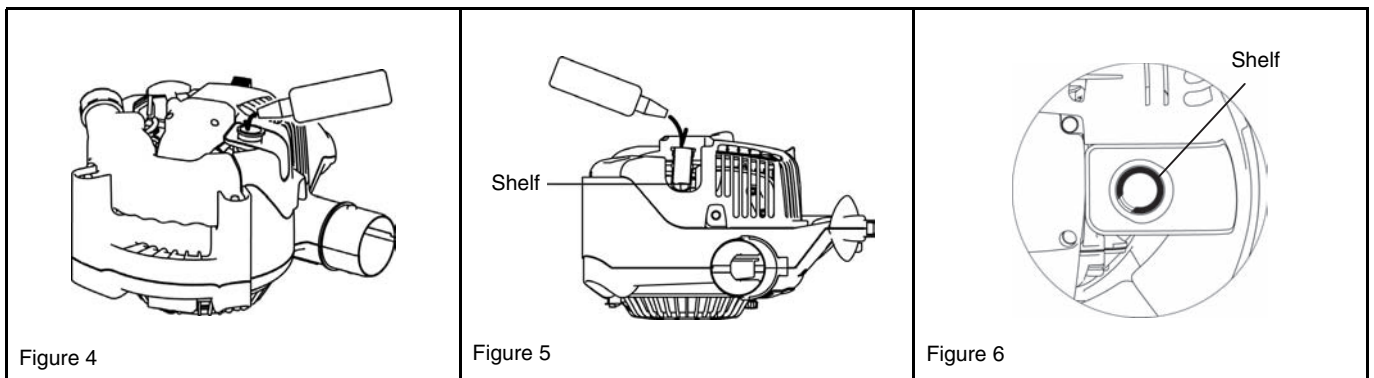


NOTE

- If the engine is not positioned as in Figure 1 on a horizontal surface, an inaccurate indication of oil level may occur.
- If the oil is filled above the limit, oil may be contaminated or may catch fire with white smoke.

Replacement of Oil “Oil Gauge”

- Remove dust or dirt near the oil refill port, and detach the oil gauge.
- Keep the detached oil gauge free of sand or dust. Otherwise, any sand or dust adhering to the oil gauge may cause irregular oil circulation or wear on the engine parts, which will result in troubles.
- As an example to keep the oil gauge clean, it is recommended to insert the oil gauge on its knob side into the engine cover.



After refilling oil

- Wipe with a rag any spilled oil.

2. Fuel supply



- When refuelling the unit, be sure to observe the following instructions to prevent ignition or fire:
 - Fuel supply must be made in a place free of fire. Never bring the fire (smoking, etc.) near the place of fuel supply.
 - Stop the engine and allow the engine to cool down before refuelling.
 - Open the fuel tank cap slowly. The fuel may be spilled out under internal pressure.
 - Take care not to spill the fuel. Any spilled fuel must be wiped clean.
 - Carry out fuel supply in a well-ventilated place.
- Handle the fuel with care.
 - Fuel sticking to the skin or entering an eye may cause allergies or irritation. When any physical abnormality is detected, consult the medical specialist immediately.
- DO NOT put oil in the fuel tank.

STORAGE PERIOD OF FUEL

Fuel should be used within a period of 4 weeks, even if it is kept in a special container in a well-ventilated shaded area. If a special container is not used or if the container is not covered, fuel may deteriorate in one day.

Storage of machine and refill tank

- Keep the machine and tank at a cool place free from direct sunshine.
 - Never keep the fuel in a car.
-
-

FUEL

The engine is a four-stroke engine. Be sure to use an automobile gasoline (regular gasoline or premium gasoline).

Points for Fuel

- Never use a gasoline mixture which contains engine oil. Otherwise, it will cause excessive carbon accumulation or mechanical troubles.
 - Use of deteriorated oil will cause irregular startup.
-
-

When refuelling, be sure to stop the engine and confirm that the engine cools down.

REFUELLING METHOD

- Loosen the tank cap a little to release the tank pressure.
- Detach the tank cap, and refuel, discharging air by tilting the fuel tank so that the refuel port will be oriented upward. (DO NOT fill fuel up to the top of the tank.)
- After refuelling, securely tighten the tank cap.
- If there is any flaw or damage on the tank cap, replace it.
- The tank cap wears out in course of time. Replace it every two to three years.
- DO NOT put fuel in the oil fill port.

OPERATION



1. Starting

WARNING

- Never attempt engine start in a place where the fuel has been supplied.
 - If may cause ignition or fire. When starting the engine, keep a distance of at least 3 m.
- Exhaust gas from the engine is toxic. Do not operate the engine in a poorly-ventilated place, such as in a tunnel, building, etc.
 - Operating the engine in the poorly-ventilated place may cause poisoning by exhaust gas.
- In case of detection of any abnormality in sound, odor, vibration after start, stop the engine immediately and carry out inspection.
 - If the engine is operated without attending such abnormality, an accident may occur.
- Confirm that the engine stops when the stop switch is set to "O" position.

1) When the engine is cold or after refuelling

- (1) Set this machine on a flat space.
- (2) Set the stop switch to "I" position (Figure 1).
- (3) Continue to push the primer pump until fuel comes into the primer pump (Figure 2).
 - In general, fuel enters into the carburetor by 7 to 10 pushes.
 - If the primer pump is pushed excessively, an excess of gasoline returns to the fuel tank.
- (4) Lift the choke lever to the closed position (Figure 3).
- (5) Hold the main handle with left hand to prevent the engine from moving.
- (6) Pull out slowly the starter handle till a certain resistance is felt. Return the starter handle backward once from this position, then pull it out with force (Figure 4).
 - Never pull the rope to the full extension.
 - Once the start knob is pulled, never release your hand immediately. Hold the start knob until it returns to its original point.
- (7) When the engine starts, open the choke lever (Figure 5).
 - Open the choke lever progressively while checking the engine operation. Be sure to open the choke lever to the full in the end.
 - In cold or when the engine is cooled down, never open the choke lever suddenly. Otherwise, the engine may stop.
- (8) Continue warm-up operation for 2 to 3 minutes.
- (9) Warm-up is complete when there is quick engine acceleration from low rpm to full throttle.

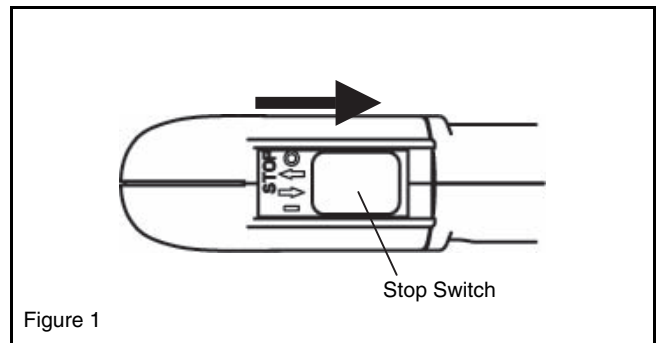


Figure 1

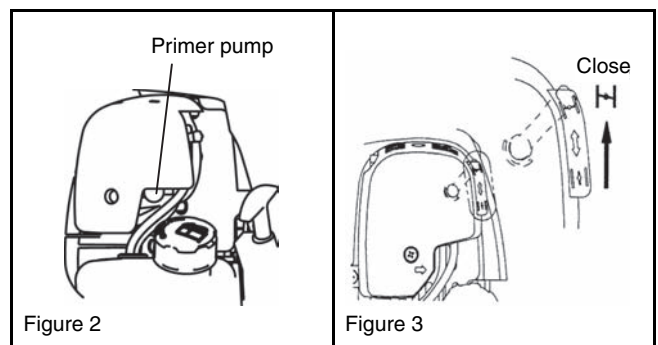


Figure 2

Figure 3

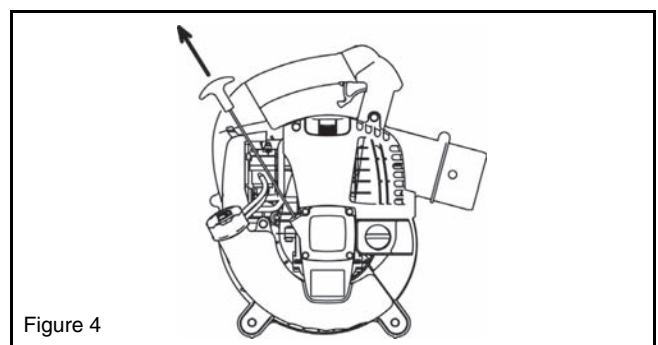


Figure 4

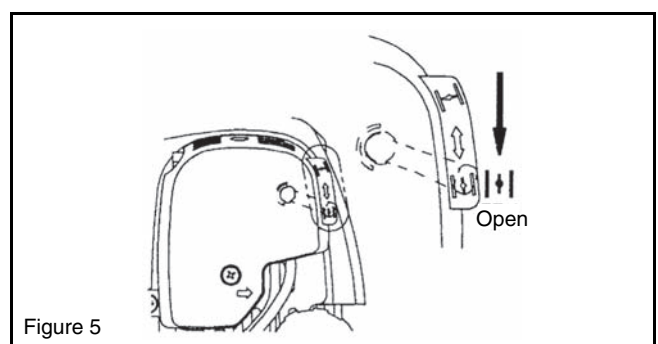


Figure 5

NOTE

- The engine may be damaged if the choke lever is moved further beyond the “CLOSE” position.
- If the engine fires and stops, return this lever to the “OPEN” position and pull the starter handle several times to start the engine again.
- If the operator keeps pulling the starter handle several times with the choke lever left in the “CLOSE” position, the engine may be difficult to start because of flooding of the fuel.
- In case of flooding of the fuel, remove the spark plug and pull the handle several times rapidly to discharge any excess fuel. Dry the spark plug electrode.
- When the throttle valve does not return to a position in contact with the idling adjusting screw even if the throttle lever is set to the low speed, correct the control cable catching state to ensure proper return of the valve.

2) When the engine is warm

- (1) Place the engine on a flat ground.
- (2) Press the primary pump several times.
- (3) Confirm that the choke lever is open.
- (4) Hold the main handle with left hand to prevent the engine from moving.
- (5) Pull out slowly the starter handle till a certain resistance is felt. Return the starter handle backward once from this position, then pull it out with force.
- (6) When the engine is difficult to start, open the throttle valve by about 1/3.

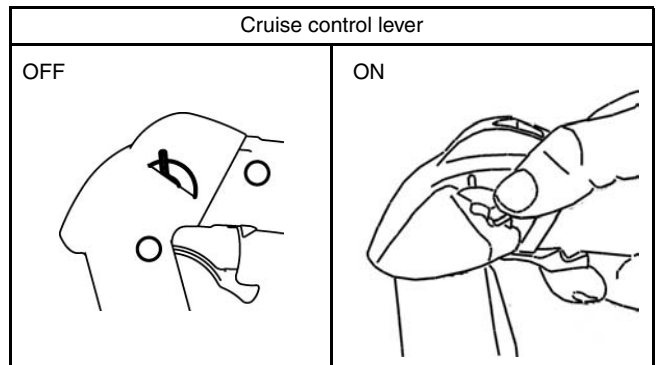
2. Stopping

1) When the cruise control lever is OFF

Release the trigger lever to reduce the engine speed, and set the stop switch to the “0” position.

2) When the cruise control lever is ON

Set the cruise control lever to the OFF position, reduce the engine speed, and set the stop switch to the “0” position.



ADJUSTMENT OF IDLING



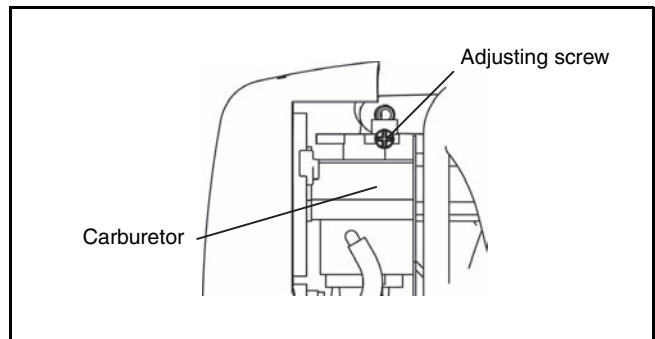
DANGER

The carburetor is factory adjusted. Please do not adjust other than idling adjusting. When adjustment becomes necessary, please consult your dealership or an authorized service agent.

Checkup of low-speed rotation

Set the low-speed rotation to 3500 rpm (/min).

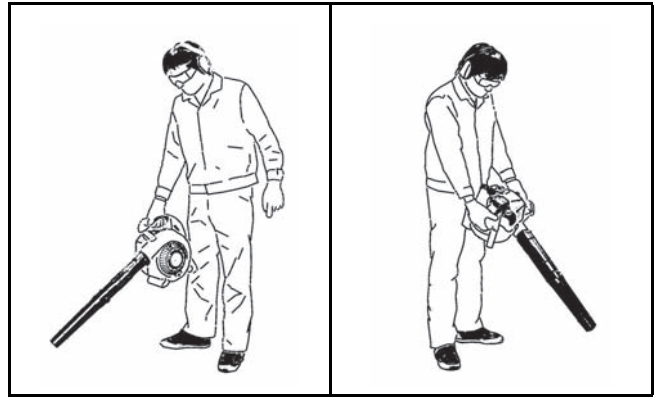
- If it is necessary to change the rotation speed, regulate the adjusting screw, with Phillips screwdriver.
- Turn the adjusting screw to the right, and the engine speed will increase. Turn the adjusting screw to the left, and the engine speed will drop.



OPERATION METHOD

1. Blower operation

- Hold the machine firmly during operation.
- Direct the nozzle end toward the object to be dusted and pull the trigger lever.
- The trigger lever can be fixed in an arbitrary position with the cruise control lever.
- Maintain the trigger lever at a position where the engine speed appropriate for the operation is obtained and set the cruise control lever to the "ON" position.
- To adjust the engine speed, set the cruise control lever to the "OFF" position once, adjust the engine speed with the trigger lever again, then set and fix the cruise control lever to the "ON" position.
- Operation of the trigger lever with the cruise control lever in the "ON" position may cause failure.
- The lower portion of the fuel tank acts as an assist handle, which enables operation with both hands. In this case, be sure to hold the assist handle with a right hand.



2. Dust Collection Operation

⚠ WARNING

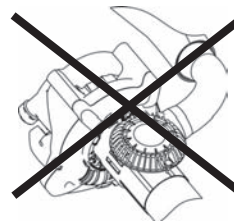
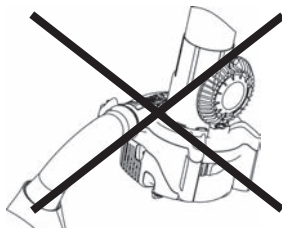
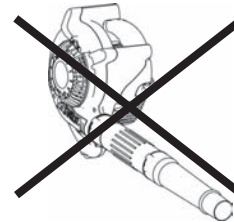
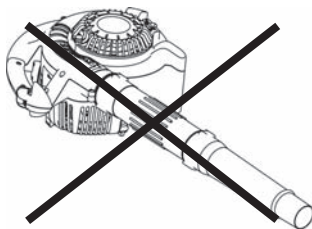
- Do not allow kerosene, gasoline, or lighted cigarette to be sucked into the machine.
 - Otherwise, fire may occur.
- Do not allow foreign materials, such as large wood chips, metals, glass, pebbles, etc., to be sucked into the machine.
 - Otherwise, failure may occur.
- Overfilling of the dust bag may cause its overflow toward the engine side. Empty the bag before it becomes completely full.
 - Otherwise, fire may occur.

- Carry the dust bag belt on the shoulder and adjust the belt length to ensure easy operation.
- Confirm that the dust bag is not twisted and pull the trigger lever to start dust collection.
- When the dust bag is full, remove the dust bag from the machine and open the fastener to empty the bag.



NOTE

If this machine is operated with the protector oriented upwards or the main handle downwards, white smoke may appear, oil may be contaminated or oil may leak.





⚠ DANGER

- Before inspection and maintenance, stop the engine and allow it to cool. Remove the spark plug and plug cap.
 - If inspection or maintenance is attempted immediately after engine stop or with the plug cap left attached, the operator may suffer burn or an accident due to careless startup.
- After inspection and maintenance, be sure to confirm that all parts are assembled. Then, proceed to operation.

1. Replacement of engine oil

Deteriorated engine oil will shorten the life of the sliding and rotating parts to a great extent. Be sure to check the period and quantity of replacement.

⚠ DANGER

- In general, the engine main unit and engine oil still remain hot just after the engine is stopped. In replacement of oil, confirm that the engine main unit and engine oil are sufficiently cooled down. Otherwise, there may remain a risk of scald. Allow sufficient time after stopping engine for the engine oil to return to the oil tank to ensure accurate reading of the oil level indicator.
- If the oil filled above the limit, it may be contaminated or may catch fire with white smoke.

Interval of replacement: After first 20 operating hours, followed by every 50 operating hours

Recommended oil: SAE10W-30 oil of API Classification SF Class or higher (4-stroke engine oil for automobile)

In replacement, perform the following procedure.

- (1) Confirm that the tank cap is tightened securely.
- (2) Detach the oil cap.
 - Keep the oil gauge free from dust or dirt.
- (3) Tilt the machine in order as shown in Figure 1.
 - Drain the oil in a container.
- (4) Orient the machine as shown in Figure 2 and refill oil to the shelf inside the oil pipe.
- (5) After refill, securely tighten the oil gauge. Insufficient tightening of the oil gauge will lead to oil leakage.

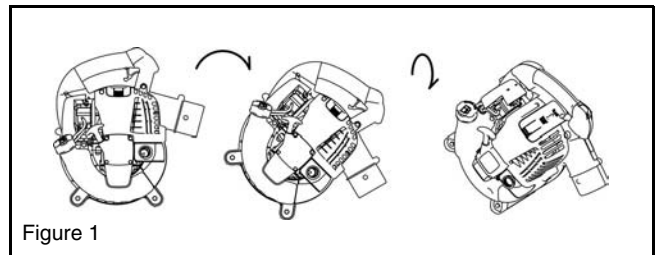


Figure 1

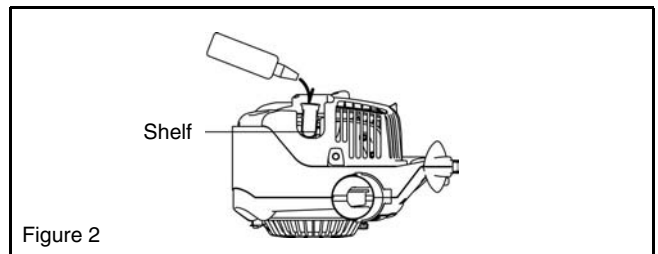


Figure 2

Points in replacement of engine oil

- Never discard replaced engine oil in garbage, earth or sewage ditch. Disposal of oil is regulated by law. In disposal, always follow the relevant laws and regulations. For any points remaining unknown, contact Authorized Service Agent.
- Oil will deteriorate even when it is kept unused. Perform inspection and replacement at regular intervals (replace with new oil every 6 months).

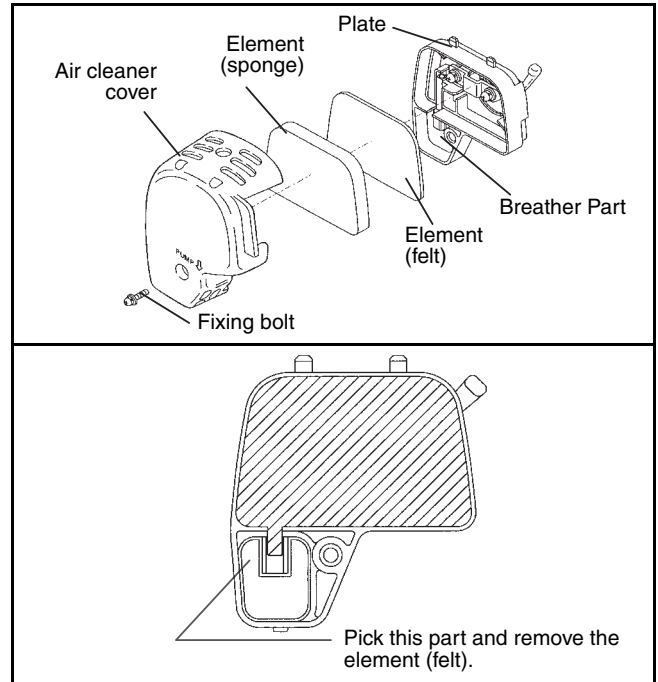
2. Cleaning of air cleaner



WARNING: INFLAMMABLES STRICTLY PROHIBITED

Interval of Cleaning and Inspection: Daily (every 10 operating hours)

- (1) Remove the air cleaner cover-fixing bolts.
- (2) Pull the cover lower side and detach the air cleaner cover.
- (3) Turn the choke lever to the full close side, and keep the carburetor off from dust or dirt.
- (4) If oil adheres to the element (sponge), squeeze it firmly.
- (5) For heavy contamination:
 - Remove the element (sponge), immerse it in warm water or in water-diluted mild detergent, and dry it completely.
 - Clean the element (felt) with gasoline, and dry it completely.
- (6) Before attaching the element, be sure to dry it completely. Insufficient drying of the element may lead to difficult startup.
- (7) Wipe out with waste cloth, oil adhering around the air cleaner cover and plate breather.
- (8) Immediately after cleaning is finished, attach the air cleaner cover and tighten it with fixing bolts. (In remounting, first place the upper claw, and then the lower claw.)



! DANGER

- Clean the element several times a day, if excessive dust adheres to it.
- If operation continues with the element remaining not cleared of oil, oil in the air cleaner may fall outside, resulting in oil contamination.

3. Checking the spark plug

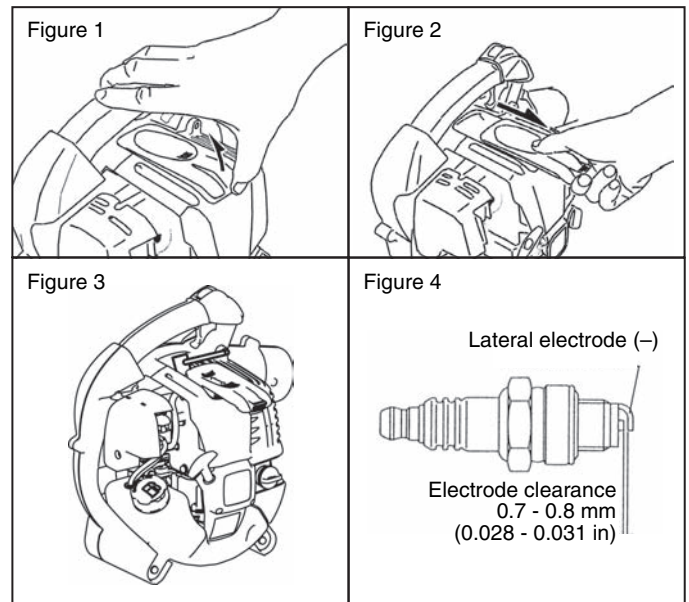
- (1) Opening/closing the plug cover

When opening the cover, apply fingers to the main handle and plug cover projection (Figure 1). Push up the projection and slide the cover in the "OPEN" direction (Figure 2).
When closing the cover, slide the cover in the "CLOSE" direction till the click under the plug cover projection rides over the engine cover. Finally, push in the projection.
- (2) Removing the spark plug

Use an attached box wrench to remove or install the spark plug (Figure 3).
- (3) Checking the spark plug

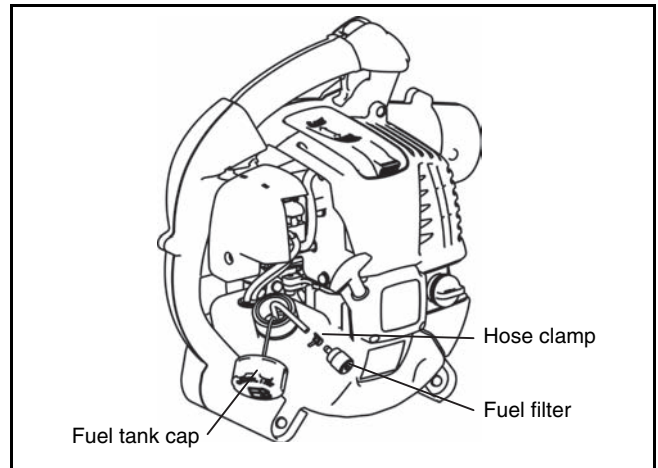
The clearance between two electrodes of spark plug is 0.7 to 0.8 mm (Figure 4). Adjust to the correct clearance when it is too wide or too narrow.
Clean thoroughly or replace the spark plug if it has accumulated carbon or contaminated.
- (4) Replacing the spark plug

For replacement, use NGK-CMR6A.



4. Cleaning the fuel filter

- Clogged fuel filter may cause difficulty of startup or failure of engine speed increase.
- Check the fuel filter regularly as follows:
 - (1) Remove the fuel tank cap, drain the fuel to empty the tank. Check the tank inside for any foreign materials. If any, wipe clean such materials.
 - (2) Pull out the fuel filter with wire through the oil filling port.
 - (3) If the fuel filter surface is contaminated, clean it with gasoline. The gasoline used for the cleaning must be disposed of according to the method specified by each local authority. Excessively contaminated filter must be replaced.
 - (4) Reset the fuel filter in the fuel tank and tighten firmly the fuel tank cap. For replacement, contact your dealership or an authorized service agent.



5. Inspection of bolts, nuts and screws

- Retighten loose bolts, nuts, etc.
- Check for fuel and oil leakage.
- Replace damaged parts with new ones for safety operation.

6. Cleaning of parts

- Keep engine clean by wiping down with a cloth rag.
- Keep the cylinder fins free of dust or dirt. Dust or dirt adhering to the fins will cause seizure.

7. Replacement of gaskets and packings

Replace gaskets and packings if the engine is disassembled.

Any maintenance or adjustment work that is not included and described in this manual is only to be performed by Authorized Service Agents.

STORAGE

WARNING

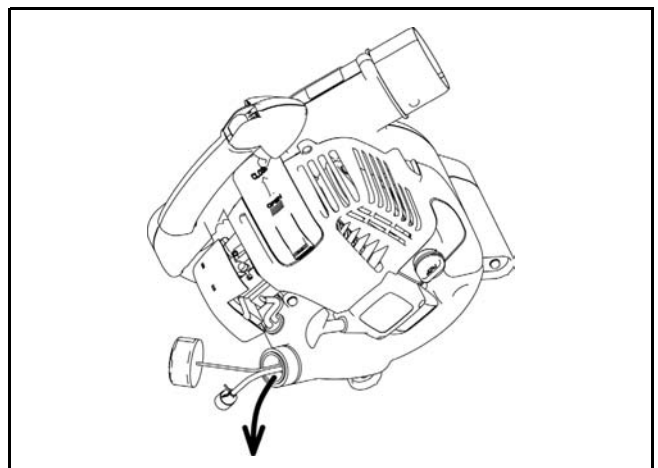
- When draining the fuel, be sure to stop the engine and confirm that the engine cools down.
 - Failure to do so may cause burns or fire.

DANGER

- When you store the machine for a long time, drain all fuel from the fuel tank and carburetor, and keep it at a dry and clean place.

Drain fuel from the fuel tank and carburetor according to the following procedure:

- (1) Remove the fuel tank cap, and drain fuel completely. If there is any foreign matter remaining in the fuel tank, remove it completely.
- (2) Pull out the fuel filter from the refill port using a wire.
- (3) Push the primer pump until fuel is drained from there, and drain fuel coming into the fuel tank.
- (4) Reset the filter to the fuel tank, and securely tighten the fuel tank cap.
- (5) Then, continue to operate the engine until it stops.
- (6) Remove the spark plug, and drip several drops of engine oil through the spark plug hole.
- (7) Gently pull the starter handle so that engine oil will spread over the engine, and attach the spark plug.
- (8) Keep the machine with its handle upside.
- (9) Keep the drained fuel in a special container in a well-ventilated shade.



Fault location

Fault	System	Observation	Cause
Engine not starting or with difficulty	Ignition system	Ignition spark O.K.	Fault in fuel supply or compression system, mechanical defect
		No ignition spark	STOP-switch operated, wiring fault or short circuit, spark plug or connector defective, ignition module faulty
	Fuel supply	Fuel tank filled	Incorrect choke position, carburetor defective, fuel supply line bent or blocked, fuel dirty.
	Compression	No compression when pulled over	Cylinder bottom gasket defective, crankshaft seals damaged, cylinder or piston rings defective or improper sealing of spark plug
Warm start problems	Mechanical fault	Starter not engaging	Broken starter spring, broken parts inside of the engine
		Tank filled ignition spark existing	Carburetor contaminated, have it cleaned
Engine starts but dies	Fuel supply	Tank filled	Incorrect idling adjustment, carburetor contaminated Fuel tank vent defective, fuel supply line interrupted, cable or STOP-switch faulty
Insufficient performance	Several systems may simultaneously be affected	Engine idling poor	Air filter contaminated, carburetor contaminated, muffler clogged, exhaust duct in the cylinder clogged

Item	Operating time		Before operation	After lubrication	Daily (10h)	30h	50h	200h	Shutdown/ rest	Corresponding
										Page
Engine oil	Inspect/clean		○							9
	Replace						○*1			14
Tightening parts (bolt, nut)	Inspect		○							16
Fuel tank	Clean/inspect		○							–
	Drain fuel								○*3	16
Throttle lever	Check function			○						–
Stop switch	Check function			○						12
Low-speed rotation	Inspect/adjust				○					12
Air cleaner	Clean				○					15
Ignition plug	Inspect				○					15
Cooling air duct	Clean/inspect				○					16
Fuel pipe	Inspect				○					16
	Replace							◎*2		–
Fuel filter	Clean/replace						○			16
Clearance between air intake valve and air discharge valve	Adjust							◎*2		–
Oil tube	Inspect							◎*2		–
Engine overhaul								◎*2		–
Carburetor	Drain fuel								○*3	16

*1 Perform initial replacement after 20h operation.

*2 For the 200 operating hour inspection, request Authorized Service Agent or a machine shop.

*3 After emptying the fuel tank, continue to run the engine and drain fuel in the carburetor.

TROUBLESHOOTING

Before making a request for repairs, check a trouble for yourself. If any abnormality is found, control your machine according to the description of this manual. Never tamper or dismount any part contrary to the description. For repairs, contact Authorized Service Agent or local dealership.

State of abnormality	Probable cause (malfunction)	Remedy
Engine does not start	Failure to operate primer pump	Push 7 to 10 times.
	Low pulling speed of starter rope	Pull strongly.
	Lack of fuel	Feed fuel.
	Clogged fuel filter	Clean
	Broken fuel tube	Straighten fuel tube
	Deteriorated fuel	Deteriorated fuel makes starting more difficult. Replace with new one. (Recommended replacement: 1 month)
	Excessive suction of fuel	Set throttle lever from medium speed to high speed, and pull starter handle until engine starts. If engine will not start still, remove spark plug, make electrode dry, and reassemble them as they originally are. Then, start as specified.
	Detached plug cap	Attach securely
	Contaminated spark plug	Clean
	Abnormal clearance of spark plug	Adjust clearance
	Other abnormality of spark plug	Replace
	Abnormal carburetor	Make request for inspection and maintenance.
	Starter rope cannot be pulled	Make request for inspection and maintenance.
	Abnormal drive system	Make request for inspection and maintenance.
Engine stops soon Engine speed does not increase	Insufficient warm-up	Perform warm-up operation
	Choke lever is set to "CLOSE" although engine is warmed up	Set to "OPEN"
	Clogged fuel filter	Clean
	Contaminated or clogged air cleaner	Clean
	Abnormal carburetor	Make request for inspection and maintenance.
	Abnormal drive system	Make request for inspection and maintenance.
	Detached throttle wire	Attach securely
	Abnormal drive system	Make request for inspection and maintenance.
Engine does not stop. ↓ Run engine at idling, and set choke lever to CLOSE.	Detached connector	Attach securely
	Abnormal electric system	Make request for inspection and maintenance.

When the engine does not start after warm-up operation:

If there is no abnormality found for the check items, open the throttle by about 1/3 and start the engine.

Vous venez d'acheter un souffleur DOLMAR, fruit d'importants programmes de développement et de nombreuses années d'études et d'expérience-et nous vous en remercions.

Les modèles PB-250.4 / PB-251.4 légers, pratiques et compacts, allient les avantages d'une technologie de pointe à une conception ergonomique, et sont des outils de professionnels pour de nombreuses applications.

Lire soigneusement le manuel, qui traite en détail des différents points des performances de la machine et vous aidera à en tirer le meilleur parti possible.



Table des Matières

	Page
SYMBOLES	19
CONSIGNES DE SECURITE	20
CARACTÉRISTIQUES.....	23
DÉSIGNATION DES PIÈCES	24
INSTRUCTIONS DE MONTAGE.....	25
AVANT MISE EN MARCHÉ	26
FONCTIONNEMENT	28
RÉGLAGE DU RALENTI	29
MODE OPERATOIRE	30
INSPECTION ET MAINTENANCE	31
REMISAGE	33
DEPANNAGE	35

SYMBOLES

Lors de la lecture de ce manuel, prêter une attention particulière aux symboles ci-après :

	Avertissement! Danger!		Essence et huile
	Lire et suivre l'instructions d'emploi		Moteur - Mise en marche manuelle
	Interdit		Arrêt d'urgence
	Interdiction de fumer		Premiers secours
	Interdiction d'utilisation de produits inflammables		Recyclage
	Port de gants de protection obligatoire		Marche
	Zone de fonctionnement interdite aux humains et aux animaux		Arrêt
	Port de lunettes de protection et cache-oreilles obligatoire		Mutilation du doigt ou du bras, Roue mobile

CONSIGNES DE SECURITE

Généralités

- Pour tirer le meilleur parti de votre machine, vous devez lire, assimiler et respecter les instructions figurant dans ce manuel (1). Les utilisateurs mal informés risquent, par des manipulations inappropriées, de se blesser ou de blesser leur entourage.
- Il est conseillé ne prêter cet appareil qu'aux personnes ayant déjà une certaine expérience des souffleurs.
- Dans ce cas, leur confier aussi le manuel d'instruction.
- Les utilisateurs qui ne connaissent pas encore le fonctionnement de la machine devront demander à leur vendeur les explications qui leur permettront de se familiariser avec le souffleur.
- Ne pas laisser les enfants et les jeunes de moins de 18 ans utiliser le souffleur. Au-delà de 16 ans, ils peuvent cependant apprendre à s'en servir, mais uniquement sous le contrôle, direct d'une personne qualifiée.
- Il soit toujours très prudent.
- N'utiliser la machine que si vous êtes en bonne condition physique.
- Faire très attention à tout ce que vous faites. N'oublier pas que vous êtes responsable des autres.
- Ne jamais utiliser l'appareil lorsque vous avez bu ou pris des calmants (2).
- Ne pas utiliser l'appareil lorsque vous êtes fatigué.
- Conserver soigneusement ce manuel afin de pouvoir vous y référer ultérieurement.

Equipements de protection

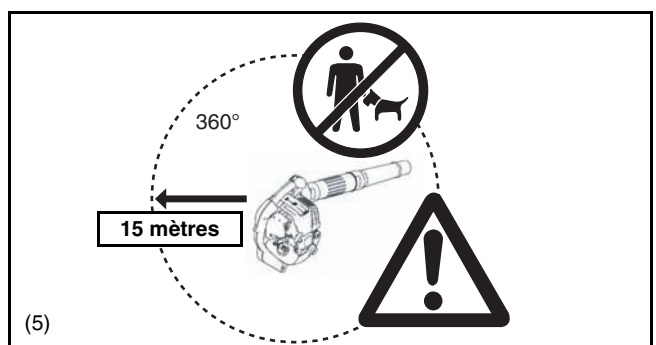
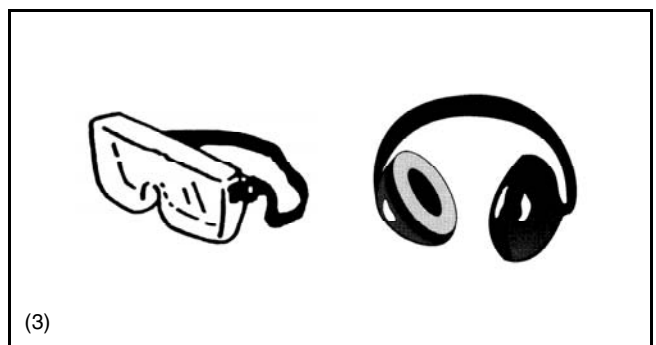
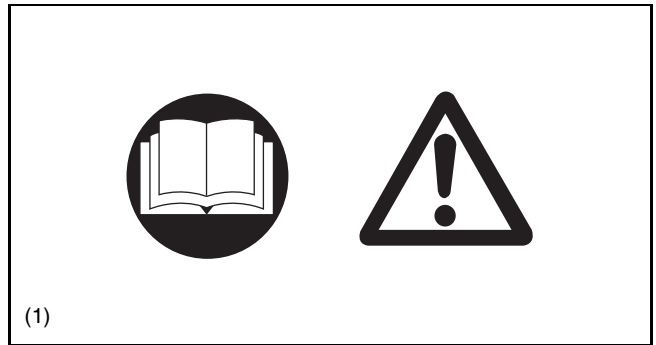
- Porter des vêtements fonctionnels, c'est-à-dire des vêtements légers, ne provoquant aucune gêne. Eviter les bijoux, les vêtements ou les cheveux longs, qui pourraient être happés par l'entrée d'air.
- Pour éviter de vous blesser et vous protéger contre tous les accidents éventuels, il est conseillé d'utiliser les équipements décrits ci-après.

Noter notamment que;

- Les vêtements doivent offrir toute liberté de mouvement. Éviter les vestes amples, les pantalons évasés ou bouffants, les écharpes, les cheveux longs non attachés ou tout ce qui risquerait d'être happé par l'entrée d'air. Porter des survêtements ou des pantalons (et pas de short). (4)
- Le bruit émis par le souffleur peut abîmer l'ouïe. Porter des protections auditives (cache-oreilles ou couvre-oreilles) pour protéger l'ouïe. Si vous utilisez la machine soit régulièrement, soit pendant de longues périodes, rendre régulièrement visite à un oto-rhino. (3)
- Si possible, porter des gants, soyez bien chaussés et éviter les semelles glissantes. (4)
- Protégez-vous soigneusement les yeux. Même si l'évacuation ne se fait pas vers vous, il arrive parfois que le fonctionnement de la machine entraîne des ricochets et des rebonds. (3)
- Ne jamais faire fonctionner la machine sans porter des lunettes ou des verres de sécurité avec protection supérieure et latérale approprié et conforme à la norme ANSI Z 87.1 (ou à toute norme nationale applicable).

Mise en route de l'appareil

- S'assurer qu'il n'y a personne, enfant ou adulte, à moins de 15 mètres (5) de la zone de travail, et prêter aussi attention aux animaux qui se trouvent à proximité. Ne jamais l'utiliser dans des zones urbaines.
- Avant de le mettre en route, vérifier toujours la sécurité de la manette des gaz, qui doit fonctionner facilement et sans à-coup. Vérifier également le fonctionnement de son système de verrouillage. S'assurer que les poignées sont propres et sèches, et vérifier le fonctionnement du commutateur de marche/arrêt. Garder les mains exemptes d'huile et de carburant.



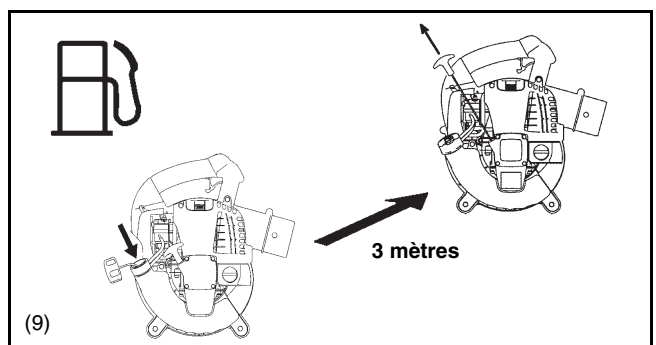
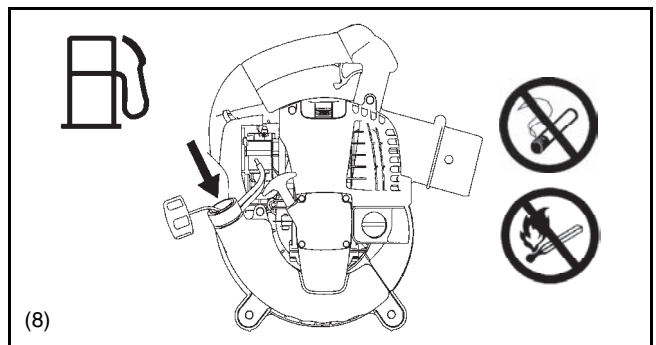
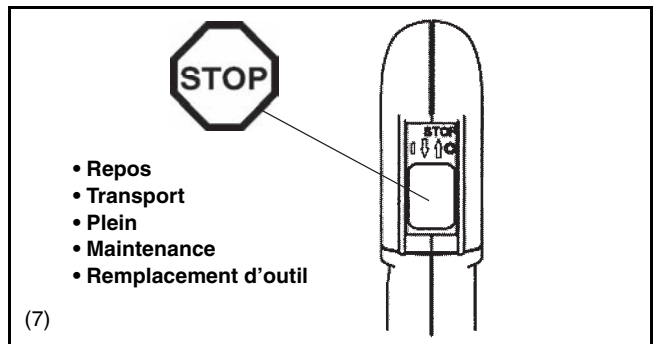
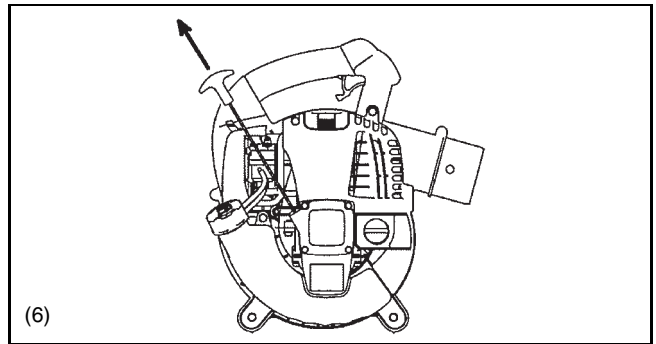
Avant de mettre la machine en marche, s'assurer que toutes les instructions sont bien respectées.

N'utilisez pas d'autres méthodes de mise en marche de l'appareil. (6)

- N'utiliser la machine et les outils fournis que pour les applications spécifiés.
- Ne mettre la machine en marche que lorsque tous les accessoires ont été mis en place. L'appareil ne fonctionne que lorsque tous les accessoires appropriés y sont fixés.
- En cas de dysfonctionnement du moteur, couper immédiatement le contact.
- Pendant l'utilisation du souffleur, toujours tenir fermement la poignée entre les cinq doigts de la main, de sorte que la poignée soit bien calée entre le pouce et l'index. Garder la main dans cette position pour avoir une bonne maîtrise de la machine en tout temps. S'assurer que la poignée et le manche du raccord d'aspiration sont en bon état et exempts d'humidité, de résine, d'huile ou de graisse. Conservez toujours une position stable.
- Pendant le fonctionnement de l'appareil, éviter toute inhalation de gaz d'échappement. N'utiliser jamais l'appareil dans des endroits clos (en raison des risques d'étouffement et d'empoisonnement par les gaz d'échappement). Ne pas oublier que le monoxyde de carbone est un gaz sans odeur. N'utiliser l'appareil que dans un endroit bien aéré.
- Couper le moteur lorsque vous n'utilisez pas l'appareil, et le mettre en lieu sûr pour éviter de blesser l'entourage, de mettre le feu aux matériaux combustibles, ou d'endommager la machine.
- Ne jamais poser la machine chaude sur de l'herbe sèche ou des matériaux combustibles.
- Utiliser toujours les éléments de protection fournis avec la machine.
- Ne jamais faire fonctionner la machine si le silencieux pose problème.
- Couper l'alimentation du moteur pendant le transport. (7)
- Placer le souffleur de manière sûre lors des déplacements en voiture ou en camion, pour éviter les fuites de carburant.
- Pendant le transport, s'assurer que le réservoir de carburant est totalement vide.

Plein

- Couper le contact lors du remplissage (7), s'éloigner de toute flamme vive (8) et ne pas fumer.
- Éviter tout contact avec la peau et les produits dérivés du pétrole. Ne pas inhaler les vapeurs d'essence. Porter toujours des gants de protection. Changer et nettoyer régulièrement les gants de protection.
- Veiller à ne pas renverser de carburants ou d'huile, pour éviter de contaminer le sol (protection de l'environnement). En cas de fuite de carburant, même légère, nettoyer immédiatement l'appareil. Faire toujours sécher les chiffons avant de les jeter dans un conteneur approprié et couvert, pour éviter tout risque de combustion spontanée.
- Éviter tout contact du carburant avec les vêtements. Si nécessaire, changer immédiatement de vêtement.
- Inspecter régulièrement le bouchon du réservoir à carburant pour s'assurer qu'il est toujours bien serré.
- Serrer soigneusement la vis de verrouillage du réservoir à carburant. Changer d'emplacement pour mettre le contact (à au moins 3 mètres de l'emplacement du remplissage). (9)
- Ne jamais faire le plein de carburant dans des pièces fermées : les vapeurs s'accumulent au niveau du sol (risque d'explosion).
- Ne transportez et ne stockez du carburant que dans des conteneurs appropriés. Veiller à ce que les enfants n'y aient pas accès.
- Ne jamais faire le plein d'un moteur chaud ou en marche.



Fonctionnement

- N'utiliser l'appareil que dans des endroits bien éclairés, où la visibilité est bonne. Pendant les saisons fraîches, éviter les sols glissants ou humides, la glace et la neige. Ayez toujours une position stable.
- Ne jamais travailler sur une surface instable ou sur un terrain en pente raide.
- Pour réduire les risques de blessure, ne pas diriger le jet d'air vers les personnes présentes, car la pression élevée du jet d'air peut causer une blessure aux yeux et projeter de petits objets à très grande vitesse.
- Ne jamais introduire de corps étranger dans l'entrée d'air de la machine ou dans le gicleur du souffleur. Cela endommagerait le tourniquet de ventilateur, et l'utilisateur et les personnes présentes risquent de subir une blessure grave s'ils sont heurtés par une pièce cassée ou un objet projeté à grande vitesse.
- Ne jamais travailler contre le vent.
- Pour éviter de tomber et de perdre le contrôle de l'appareil, ne jamais reculer pendant son fonctionnement.
- Couper toujours le moteur avant de nettoyer l'appareil ou de remplacer certaines de ces pièces.

Maintenance

- Respecter l'environnement; vérifier notamment le bon réglage du carburateur pour polluer aussi peu que possible l'atmosphère.
- Vérifier régulièrement le souffleur, et s'assurer que ses vis et écrous sont bien fixés.
- Pendant toutes les opérations de maintenance ou de stockage, éviter soigneusement la présence de flammes, d'étincelles ou autres (11).
- Stocker toujours l'appareil dans une pièce fermée à clé et bien aérée. Avant de le stocker, vider soigneusement son réservoir de carburant.

Respecter toujours les instructions de prévention d'accidents des associations professionnelles et des compagnies d'assurances. N'effectuez aucune modification sur le souffleur, car cela est dangereux.

N'effectuer aucune opération de maintenance ou de réparation qui ne soit pas prévue par ce manuel. Toutes les autres opérations doivent être effectuées par un agent du service après-vente habilité.

N'utiliser que des pièces et des accessoires d'origine, fournis par DOLMAR. L'utilisation d'outils et d'accessoires non agréés augmente les risques d'accident. DOLMAR décline toute responsabilité en cas d'accident ou de dommage provoqué par l'utilisation d'accessoires ou d'outils non agréés.

Premiers secours

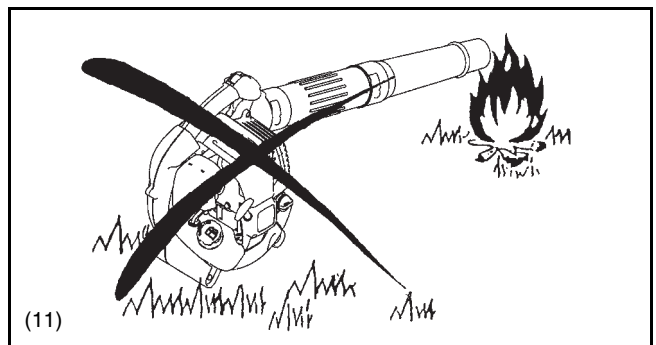
Veiller à avoir toujours à portée de main une trousse de premiers secours respectant les réglementations en vigueur. S'assurer que la trousse est toujours complète.

En cas d'accident, appeler les services de secours et fournissez-leur les informations suivantes:

- lieu de l'accident
- circonstances de l'accident
- nombre de personnes blessées
- type de blessures
- vos coordonnées

Conditionnement

Le souffleur est livré emballé dans un carton. Le carton est un matériau de base qui peut donc être réutilisé ou recyclé.



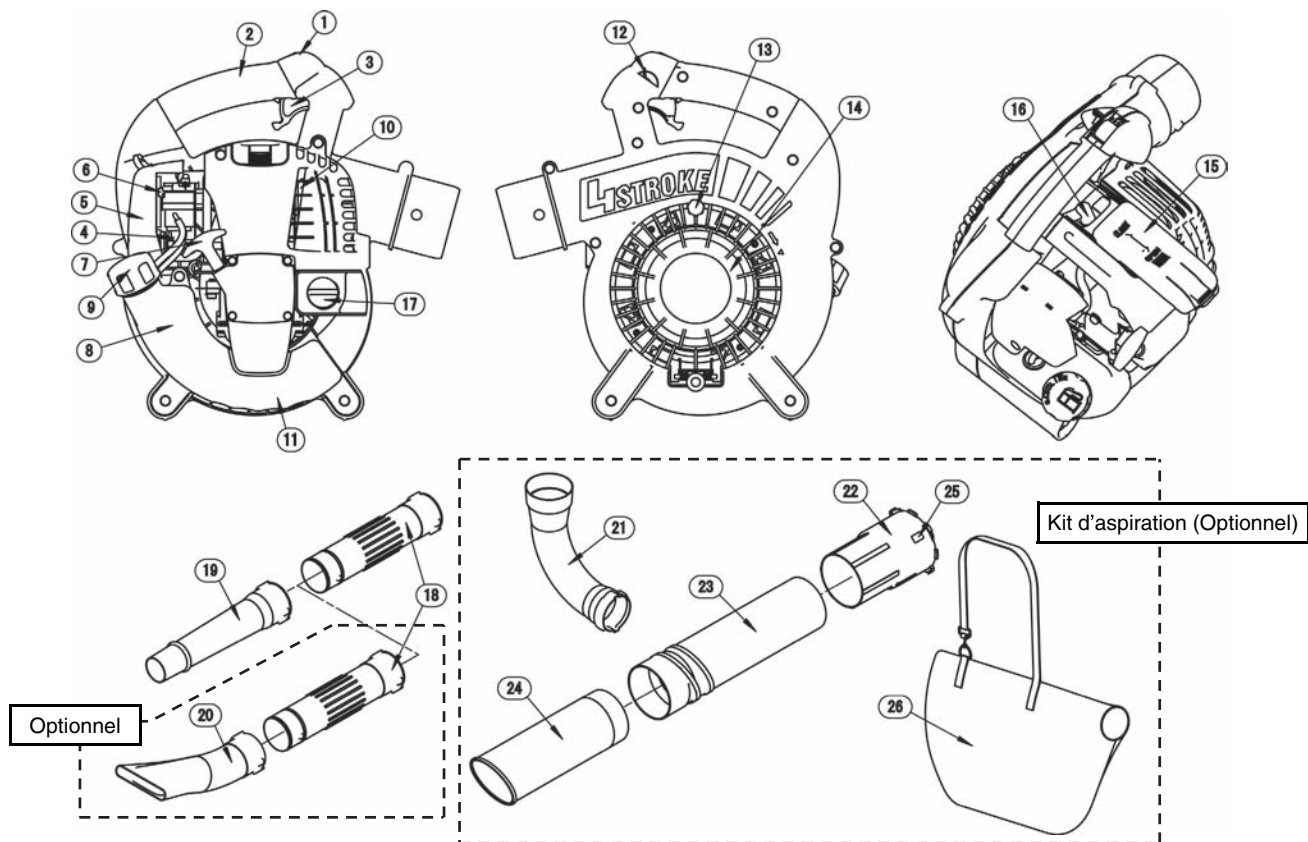
CARACTÉRISTIQUES

Modèle		PB-250.4 PB-251.4
Poids (sans les tubes)	(kg)	4,5 (9,9 lbs)
Dimensions (sans les tubes) (L x L x H totales)	(mm)	350 x 231 x 368 (13,8 x 9,1 x 14,5 in)
Vitesse maxi du moteur	(/min)	7 800
Vitesse au ralenti	(/min)	3 500
Cylindrée totale du moteur	(mL)	24,5 (1,49 cu.in)
Carburant		Essence à automobile
Volume du réservoir à carburant	(L)	0,52 (17,6 fl.oz)
Huile à moteur		SAE 10W- 30 huile de la classification API, classe SF ou supérieure (moteur à quatre temps pour automobile)
Volume d'huile à moteur	(L)	0,08 (2,7 fl.oz)
Carburateur (Carburateur à diaphragme)		WALBRO WYL
Système d'allumage		Allumage électronique
Bougie		NGK CMR6A
Distance entre électrodes	(mm)	0,7 - 0,8 (0,028-0,031 in)
Niveau de bruit (15 mètres par ANSI B175-2-2000)	(dB(A))	67

Notes:

1. Utiliser l'huile et la bougie désignés par DOLMAR.
2. La spécification peut être soumise à changement sans avis préalable.

DÉSIGNATION DES PIÈCES



DÉSIGNATION DES PIÈCES	DÉSIGNATION DES PIÈCES	DÉSIGNATION DES PIÈCES	DÉSIGNATION DES PIÈCES
1. Interrupteur d'arrêt	8. Réservoir à carburant	15. Capot de bougie	22. Gicleur d'aspiration A
2. Poignée principale	9. Bouchon du réservoir à carburant	16. Bougie	23. Gicleur d'aspiration B
3. Déclencheur	10. Silencieux	17. Bouchon à huile	24. Gicleur d'aspiration C
4. Pompe d'amorçage	11. Poignée assistante	18. Tuyau de souffleur	25. Flèche
5. Couvercle de filtre à air	12. Régulateur de vitesse	19. Gicleur de souffleur A	26. Sac à poussières
6. Levier de réglage	13. Vis	20. Gicleur de souffleur B	
7. Poignée de démarrage	14. Capot de protection	21. Raccord coudé	

INSTRUCTIONS DE MONTAGE

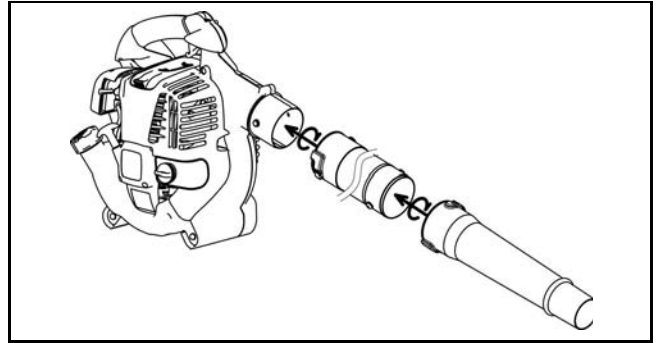


ATTENTION: Avant toute opération sur le souffleur, couper toujours le moteur et débrancher les connecteurs de bougie.
Porter toujours des gants de protection!

ATTENTION: Ne mettre le souffleur en marche que lorsqu'il est complètement monté.

1. MONTAGE DU TUBE DE SOUFLANTE

- 1) Faire coïncider les rainures du tube de soufflante avec les nervures du carter de l'appareil et faire glisser le tube sur le carter.
- 2) Tourner le tube de soufflante dans le sens des aiguilles d'une montre pour le bloquer.



2. MONTAGE DES ACCESSOIRES DE L'ASPIRATEUR

1) Fixation de la buse de vide (tuyère)

- (1) Desserrer la vis ① et ouvrir le capot de protection ②.





AVERTISSEMENT!

Lors d'employer cet appareil comme souffleur, prendre garde de confirmer le serrage complet de la vis ① à chaque moment de démarrage de l'appareil. S'il y a aucun desserrement, la resserrer.

Il est très dangereux de mettre l'appareil en marche avec la vis ① desserrée.

Le rotor risque de happer les doigts ou les vêtements et de provoquer un accident grave.

- (2) Faire coïncider le repère  indiqué sur la buse avec le cadenas "●" indiqué sur le souffleur, puis engager la buse de vide dans le souffleur.
- (3) Tourner la buse de vide jusqu'à ce que le repère  coïncide avec le cadenas "▼" indiqué sur le souffleur pour bloquer la buse.

AVERTISSEMENT!

Tenir toujours la douille de fixation de la buse lorsque vous la verrouillez ou la déverrouillez.

2) Fixation du raccord coudé et du sac à poussière

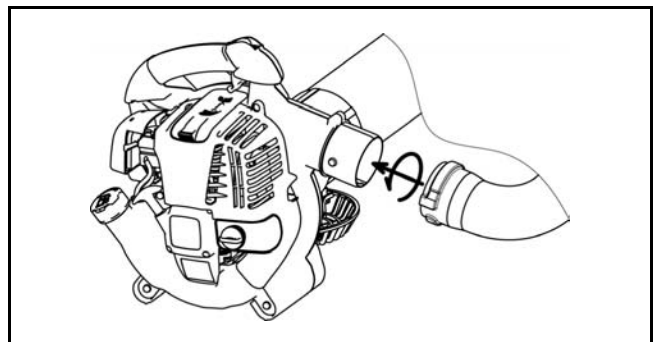
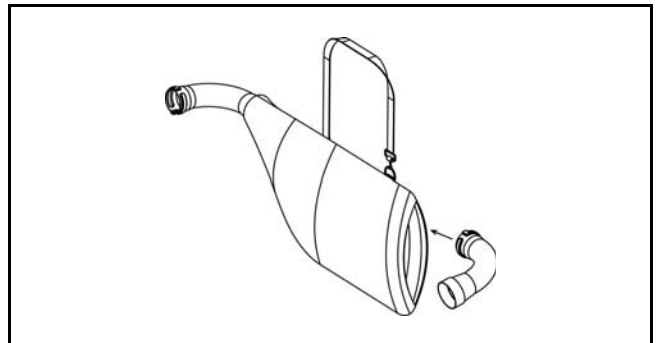
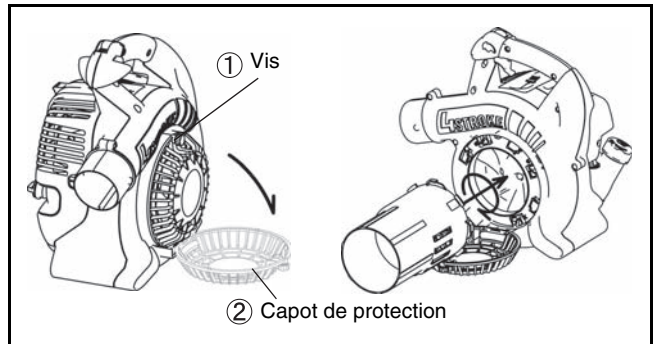
- (1) Ouvrir l'attache du sac à poussière.
- (2) Engager le raccord coudé et du sac à poussière et sortezle par l'ouverture du sac.
- (3) Fixer le raccord coudé sur l'aspirateur.



AVERTISSEMENT!

N'essayer pas d'aspirer des copeaux de bois, des morceaux de métal ou de verre, de gros cailloux, des liquides, des cigarettes allumées, des pièces de feu d'artifice, etc.

Monter toujours le capot de protection/la buse de vide avant de mettre la machine en marche. Faire fonctionner la machine sans capot de protection/buse de vide est dangereux, car le rotor risque de happer vos doigts ou vos vêtements, et de provoquer des blessures graves.



AVANT MISE EN MARCHÉ

1. Inspection et ravitaillement de l'huile moteur

(1) Suivre la procédure ci-dessous lorsque le moteur est froid.

S'assurer que le moteur est sur une surface horizontale et plane, tel qu'illustré à la Figure 1.

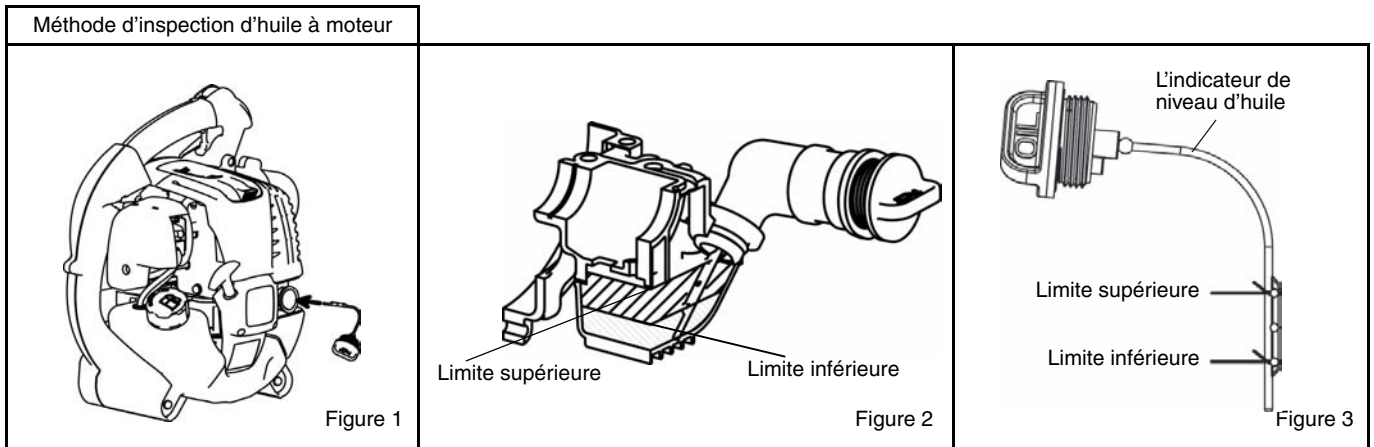
- **Inspection :** Retirer le bouchon du réservoir d'huile. Essuyer l'indicateur de niveau d'huile. Remettre en place le bouchon du réservoir d'huile (Figure 2), puis le retirer. S'assurer que le niveau d'huile se trouve entre les limites inférieure et supérieure de l'indicateur de niveau d'huile.
- **Remplissage :** Après l'inspection, si le niveau d'huile est sous la limite inférieure, ajouter de l'huile par l'ouverture d'où le bouchon du réservoir d'huile a été retiré. Consulter la Figure 4 concernant la façon d'orienter le moteur pour faire le plein d'huile.

(2) Il faudra probablement faire le plein d'huile après 10 heures d'utilisation (ou lors de chaque 10ème plein de carburant).

(3) Si l'huile change de couleur ou s'imprègne de saletés, la remplacer. (Concernant l'intervalle et la méthode de remplacement, voir page 31.)

Huile recommandée : SAE 10W- 30 huile de la classification API, classe SF ou supérieure (moteur à quatre temps pour automobile)

Volume d'huile : Env. 0,08 L (2,7 fl. oz)

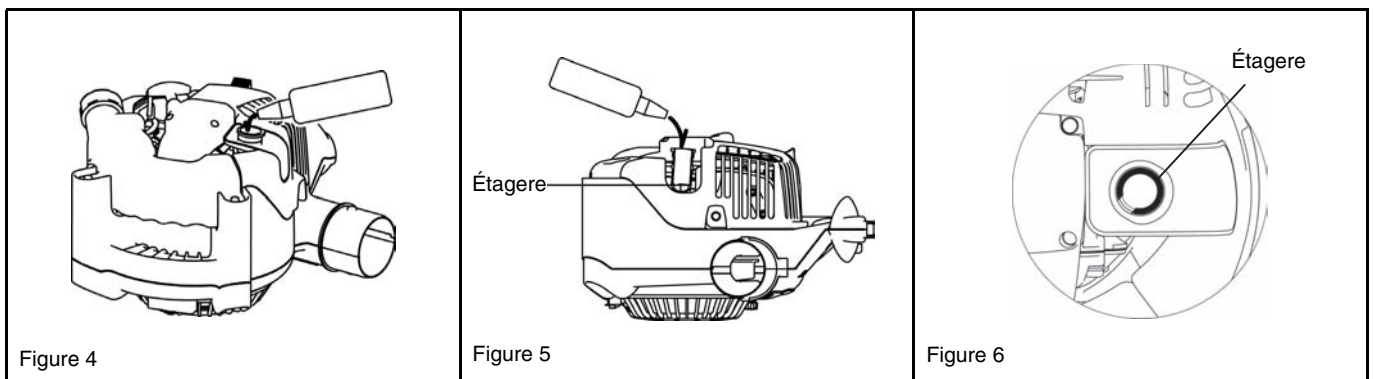


NOTE

- Si le moteur n'est pas placé sur une surface horizontale comme à la Figure 1, l'indication du niveau d'huile risque d'être inexacte.
- Si l'huile est fournie au-dessus de la limite, l'huile peut être contaminée ou elle peut prendre feu, émettant une fumée blanche.

Remplacement de l'huile : "Jauge d'huile"

- Enlever les poussières et les impuretés à proximité de l'orifice de ravitaillement, et déposer la jauge d'huile.
- En retirant la jauge d'huile, éviter de la mettre en contact avec des grains de sable ou des poussières. Autrement les grains de sable ou les poussières collés à la jauge d'huile risquent d'affecter la circulation de l'huile ou de causer l'usure des pièces du moteur, ce qui entraînera des dysfonctionnements.
- A titre d'exemple, pour maintenir la jauge nette, il est recommandé d'insérer la jauge d'huile sur le côté poignée dans le couvercle de moteur.



Après avoir fait le plein d'huile

- Essuyer toute trace d'huile renversée, à l'aide d'un chiffon.

2. Alimentation en carburant

AVERTISSEMENT

- Lors du remplissage, respecter rigoureusement les instructions suivantes pour éviter les risques d'explosion ou d'incendie :
 - L'alimentation en carburant doit être effectuée à l'endroit où il n'y a pas de feu. Ne jamais apporter du feu (tabac, etc.) près de l'endroit de l'alimentation en carburant.
 - Couper le contact et laisser refroidir le moteur avant de refaire le plein.
 - Ouvrir lentement le bouchon du réservoir à carburant. La pression interne peut faire déborder le carburant.
 - Faire attention à ne pas laisser déborder le carburant. Essuyer proprement tout le carburant débordé.
 - Alimenter du carburant à l'endroit bien ventilé.
- Manipuler du carburant avec soin.
 - Le carburant collé sur la peau et pénétré dans les yeux peut causer des allergies ou l'irritation. Lorsque les anomalies physiques quelconques sont constatées, consulter immédiatement un spécialiste médical.
- NE PAS verser d'huile dans le réservoir à carburant.

DURÉE DE STOCKAGE DU CARBURANT

Le carburant doit être utilisé totalement dans un délai de quatre semaines, même s'il est contenu dans un récipient spécial et stocké à l'ombre bien aérée.

Si le carburant n'est pas stocké dans un récipient spécial ou si le récipient n'est pas couvert, le carburant se détériore en un jour.

Entreposage de l'appareil et du réservoir de ravitaillement

- Garder l'appareil et le réservoir à un endroit sans qu'ils soient exposés aux rayons du soleil.
 - Ne jamais garder de carburant dans un véhicule.
-
-

CARBURANT

Le moteur est à quatre temps. Utiliser de l'essence ordinaire ou du supercarburant.

Les essentiels pour le carburant

- Ne jamais utiliser de l'essence mélangée de l'huile à moteur. Autrement cela causera une accumulation excessive de carbone ou entraînera des problèmes mécaniques.
 - Une huile détériorée causera un démarrage irrégulier.
-
-

Avant de faire le plein, penser à couper le contact et vérifier que le moteur a refroidi.

MÉTHODE DE REMPLISSAGE

- Desserrer un peu le bouchon du réservoir pour libérer la pression du réservoir.
- Enlever le bouchon du réservoir et faire le plein ; pour vidanger l'air, incliner le réservoir à carburant de sorte que le port de remplissage soit orienté vers le haut.
(NE PAS faire le plein de carburant jusqu'à ras bord du réservoir.)
- Après avoir fait le plein, serrer fermement le bouchon du réservoir.
- Remplacer le bouchon du réservoir s'il est abîmé ou comporte un défaut.
- Le bouchon du réservoir s'use au fil du temps. Le remplacer au bout de deux à trois ans.
- NE PAS verser de carburant dans le port de remplissage du réservoir d'huile.

FONCTIONNEMENT



1. Mise en marche

⚠ AVERTISSEMENT

- Ne jamais tenter de démarrer le moteur dans l'endroit où le carburant a été alimenté.
 - Cela comporte un risque d'explosion ou d'incendie. S'éloigner d'au moins 3 mètres pour faire démarrer le moteur.
- Les gaz d'échappement du moteur sont toxiques. Ne pas mettre le moteur en marche dans l'endroit faiblement ventilé, tel que dans le tunnel, le bâtiment, etc.
 - La manœuvre du moteur dans l'endroit faiblement ventilé peut causer l'empoisonnement par le gaz d'échappement.
- En cas de constatation des anomalies du bruit, de l'odeur ou de la vibration après la mise en marche, arrêter immédiatement le moteur et effectuer l'inspection.
 - Si le moteur est mis en marche sans porter attention à ces anomalies, un incident pourra se produire.
- S'assurer que le moteur s'arrête quand l'interrupteur d'arrêt est mis à la position "O".

1) Lorsque le moteur est froid ou après avoir fait le plein

- (1) Positionner cette machine à un lieu plat.
- (2) Mettre l'interrupteur d'arrêt sur la position "MARCHE". (Figure 1)
- (3) Continuer à pousser la pompe d'amorçage jusqu'à ce que le carburant entre dans la pompe d'amorçage. (Figure 2)
 - En général, le carburant entre dans le carburateur par 7 à 10 poussées.
 - Si la pompe d'amorçage est poussée excessivement, un excès de l'essence retourne au réservoir à carburant.
- (4) Élever le levier de réglage jusqu'en position fermée (Figure 3).
- (5) Saisir la poignée principale avec la main gauche pour empêcher le moteur de bouger.
- (6) Tirer la poignée de démarrage jusqu'à ce qu'il soit difficile de tirer (point de compression). Puis, laisser revenir la poignée de démarrage, et la tirer fortement. (Figure 4)
- Ne jamais tirer sur la corde jusqu'à ce qu'elle sorte complètement.
- Une fois que la poignée de démarrage est tirée, ne jamais lâcher prise du câble tout à coup. Saisir la poignée de démarrage jusqu'à ce qu'elle retourne au point original.
- (7) Lorsque le moteur démarre, ouvrir le levier de réglage. (Figure 5)
 - Ouvrir le levier de réglage pas à pas, en vérifiant la marche du moteur. Ne pas manquer d'ouvrir le levier de réglage pleinement à la fin.
 - A froid ou lorsque le moteur reste froid, ne pas ouvrir le levier de réglage subitement. Autrement, le moteur s'arrêtera.
- (8) Augmenter la température pendant deux ou trois minutes.
- (9) Le réchauffage est terminé lorsque le moteur passe rapidement de la vitesse de faible régime à celle de plein régime.

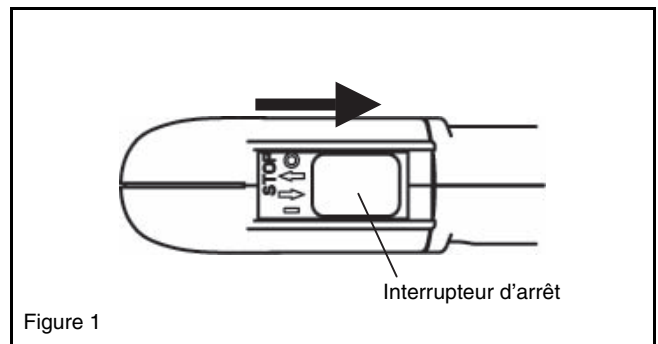


Figure 1

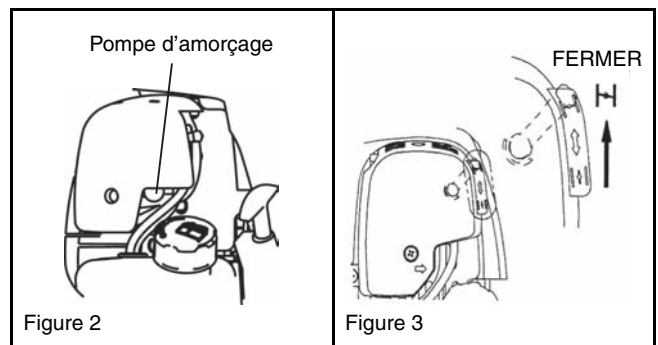


Figure 2

Figure 3

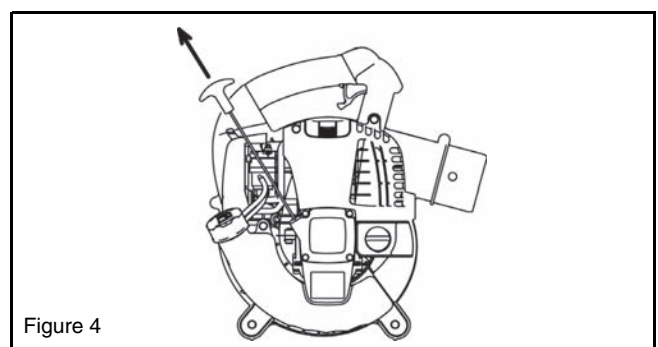


Figure 4

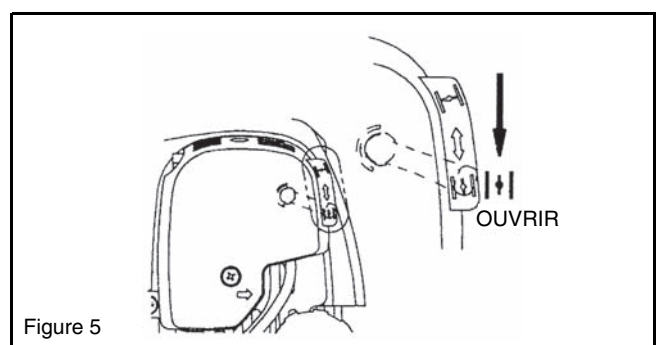


Figure 5

NOTE

- Le moteur pourra être endommagé si le levier de réglage est déplacé au-delà de la position "CLOSE".
- Si le moteur s'allume puis s'arrête, remettre ce levier en position ouverte ("OPEN") et tirer à quelques reprises sur la poignée de démarreur pour faire redémarrer le moteur.
- Si l'utilisateur tire à plusieurs reprises sur la poignée de démarreur avec le levier de réglage en position fermée ("CLOSE"), il se peut que le moteur ait du mal à démarrer à cause de l'afflux excessif de carburant.
- En cas d'afflux excessif de carburant, retirer la bougie d'allumage et tirer rapidement sur la poignée à plusieurs reprises pour vidanger l'excès de carburant. Faire sécher l'électrode de la bougie d'allumage.
- Si la vanne d'étrangleur ne revient pas en position de contact avec la vis de réglage du ralenti alors que la manette d'étrangleur est réglée sur la vitesse lente, corriger l'état d'accrochage du câble de commande pour assurer le retour adéquat de la vanne.

2) Quand le moteur est échauffé

- (1) Mettre le moteur sur la terre plate.
- (2) Pousser la pompe d'amorçage à quelques fois.
- (3) S'assurer que le levier de réglage est ouvert.
- (4) Saisir la poignée principale avec la main gauche pour empêcher le moteur de bouger.
- (5) Faire sortir lentement la poignée de démarreur jusqu'à la constatation d'une certaine résistance. De cette position, retourner la poignée de démarreur une fois à l'arrière, puis tirer la poignée avec la force.
- (6) S'il est difficile de démarrer le moteur, ouvrir l'étrangleur jusqu'à 1/3 environ.

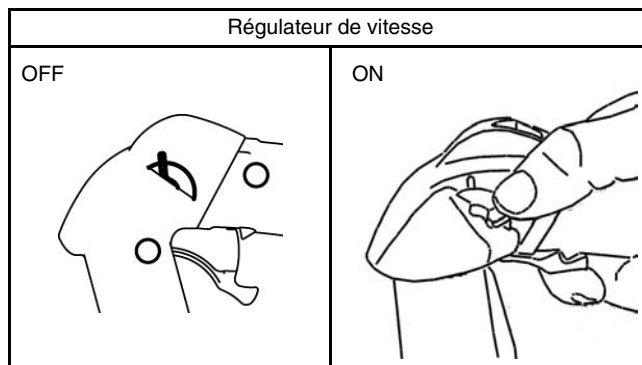
2. Arrêt

1) Quand le régulateur de vitesse est OFF

Relâcher le déclencheur pour réduire la vitesse de moteur, et mettre l'interrupteur d'arrêt à la position "O".

2) Quand le régulateur de vitesse est ON

Mettre le régulateur de vitesse à la position OFF, réduire la vitesse de moteur, et mettre l'interrupteur d'arrêt à la position "O".



RÉGLAGE DU RALENTI



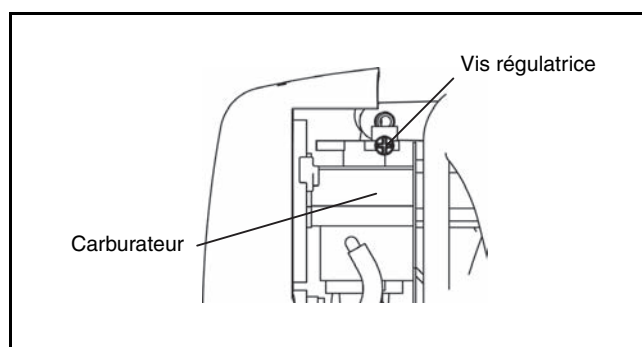
DANGER

Le carburateur est réglé en usine. Ne le régler que lorsque le moteur tourne au ralenti. S'il est nécessaire de régler de nouveau, s'adresser à l'agent du service après-vente habilité.

Vérification de la rotation à petite vitesse

Régler à 3500 rpm (/min) la rotation à petite vitesse.

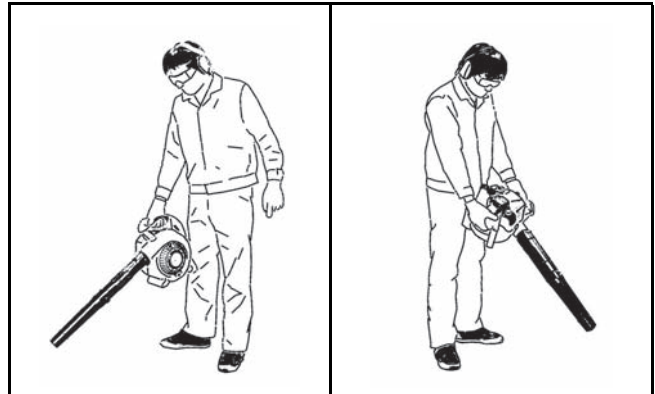
- S'il est nécessaire de changer la vitesse de rotation, ajuster la vis régulatrice avec un tournevis cruciforme.
- Tourner la vis de réglage vers la droite pour faire augmenter la vitesse du moteur. Tourner la vis de réglage vers la gauche pour faire diminuer la vitesse du moteur.



MODE OPERATOIRE

1. Manœuvre du souffleur

- Retenir fermement la machine pendant la manœuvre.
- Orienter le bout de l'embout vers les objets à épousseter et tirer le déclencheur.
- Le déclencheur peut être fixé à une position arbitraire avec le régulateur de vitesse.
- Maintenir le déclencheur à une position où la vitesse de moteur appropriée à la manœuvre est obtenue et mettre le régulateur de vitesse à la position "ON".
- Pour réguler la vitesse de moteur, mettre le régulateur de vitesse une fois à la position "OFF", régler la vitesse de moteur avec le déclencheur encore, puis mettre et fixer le régulateur de vitesse à la position "ON".
- La manipulation du déclencheur avec le régulateur de vitesse en position "ON" peut provoquer une panne.
- La partie basse du réservoir de carburant sert de la poignée assistante, ce qui rend possible la manœuvre à deux mains. Dans ce cas, soyez certain de retenir la poignée assistante par la main droite.



2. Opération de dépoussiérage

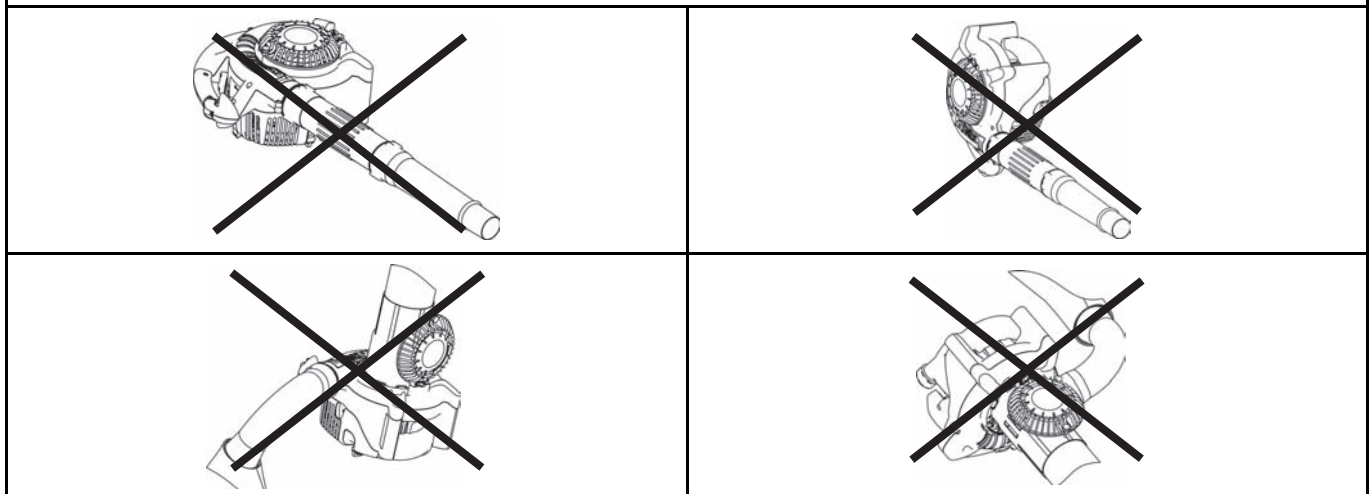
AVERTISSEMENT

- Ne pas laisser aspirer le kérosène, l'essence, ou la cigarette allumée dans la machine.
 - Sinon, l'incendie peut se produire.
 - Ne pas laisser aspirer les corps étrangers, tels que copeaux de bois, métaux, verres, cailloux, etc. dans la machine.
 - Sinon, la panne peut se produire.
 - Les poussières risqueront de déborder du côté du moteur si le sac à poussières est trop plein. Vider le sac avant qu'il ne soit complètement plein.
 - Sinon, l'incendie peut se produire.
- Porter le harnais du sac à poussières sur l'épaule et ajuster la longueur de ceinture pour permettre la manipulation facile.
- S'assurer que le sac à poussières n'est pas tordu et tirer le déclencheur pour mettre le dépoussiérage en marche.
- Lorsque le sac à poussières est plein, le retirer de la machine et l'ouvrir pour le vider.



NOTE

Si la machine est utilisée avec le protecteur orienté vers le haut ou avec la poignée principale vers le bas, il se peut que la machine dégage de la fumée blanche, que l'huile se contamine ou qu'elle s'écoule.





DANGER

- Avant l'inspection et la maintenance, arrêter le moteur et le laisser refroidir. Retirer la bougie d'allumage et le capot de bougie.
 - Si l'inspection ou la maintenance est effectuée immédiatement après l'arrêt du moteur ou avec le capot en place, l'opérateur a un risque d'être brûlé ou de subir un accident dû au démarrage inattendu.
- Après l'inspection et la maintenance, s'assurer que toutes les pièces sont rassemblées. Puis, procéder à la manœuvre.

1. Remplacement de l'huile à moteur

Une huile à moteur trop usée peut réduire considérablement la durée de service des pièces coulissantes et des pièces rotatives. Ne pas manquer de vérifier la période et la quantité de remplacement.

DANGER

- En général, le bloc moteur et l'huile à moteur restent chauds immédiatement après que le moteur s'arrête. Lors de remplacement d'huile, confirmer que le bloc moteur et l'huile à moteur sont refroidis complètement. Autrement, il y a un risque de brûlure. Une fois le contact coupé, laisser suffisamment le temps à l'huile à moteur de retourner dans le réservoir d'huile, pour assurer une lecture exacte de l'indicateur de niveau d'huile.
- Si l'huile est remplie au-dessus de la limite, elle peut se contaminer ou prendre feu par suite de la fumée blanche.

Intervalle de remplacement : Après les 20 premières heures d'utilisation, puis à intervalles de 50 heures d'utilisation

Huile recommandée : SAE10W-30 de la classification API, Classe SF ou supérieure (moteur à quatre temps pour automobile)

Lors de remplacement, faire les procédés suivants :

- (1) Vérifier que le bouchon de réservoir à carburant est serré complètement.
- (2) Déposer le bouchon d'huile.
 - Tenir la jauge d'huile propre de toute poussière ou d'impuretés.
- (3) Incliner la machine dans l'ordre indiqué à la Figure 1.
 - Recevoir le huile vidée dans un récipient.
- (4) Orienter la machine tel qu'illustré à la Figure 2, et faire le plein jusqu'au repère limite dans le tuyau à huile.
- (5) Après le ravitaillement, serrer la jauge d'huile fermement. Un serrage insuffisant de la jauge d'huile peut provoquer une fuite d'huile.

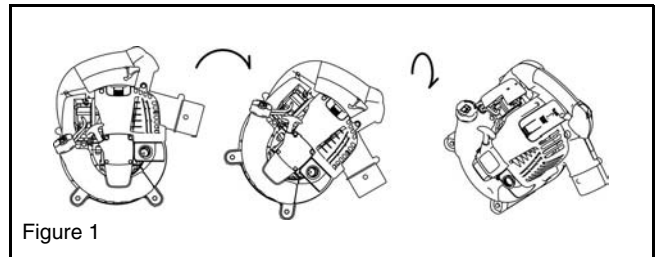


Figure 1

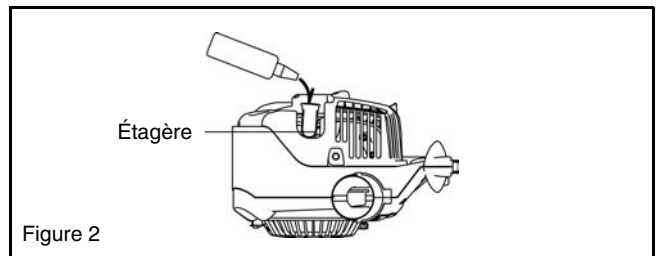


Figure 2

L'essentiel lors de remplacement de l'huile à moteur

- Ne jamais déposer de l'huile du moteur vidé dans des ordures, dans la terre, ou dans un égout. Le dépôt de l'huile usée est réglementé par la loi. Lors du rejet, il faut observer les lois et règlements concernés. Pour toute autre question, contacter l'agent du service après-vente habilité.
- L'huile se détériore même si elle est stockée intacte. Faire le contrôle et le remplacement à des intervalles réguliers (renouveler l'huile tous les six mois.)

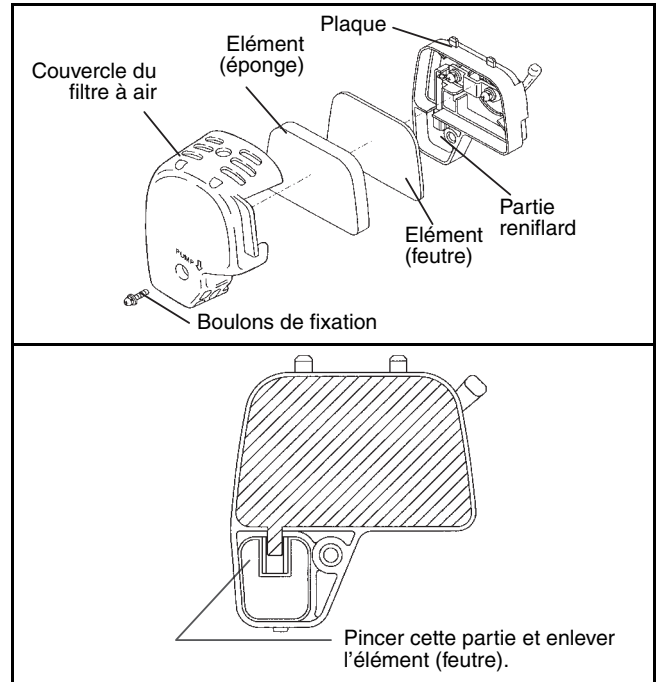
2. Nettoyage du filtre à air



AVERTISSEMENT: DEFENSE DE FAIRE DU FEU

Intervalle de nettoyage et de contrôle : Quotidien (toutes les 10 heures de marche)

- (1) Déposer les boulons de fixation du couvercle de filtre à air.
- (2) Tirer le côté inférieur du couvercle et déposer le couvercle du filtre à air.
- (3) Faire tourner le levier de réglage pleinement vers le côté fermeture, et tenir le carburateur net de la poussière ou d'impuretés.
- (4) Si l'huile adhère à l'élément (éponge), le tordre fermement.
- (5) Pour les contaminations fortes :
 - Retirer l'élément (l'éponge), le faire tremper dans de l'eau tiède ou dans solution d'eau tiède et de détergent doux, puis laisser sécher complètement.
 - Nettoyer l'élément (feutre) avec essence, et le sécher complètement.
- (6) Avant de poser l'élément, prendre garde à le sécher complètement. Le séchage insuffisant peut provoquer un démarrage difficile.
- (7) Essuyer avec une toile toute l'huile adhérente aux alentours du couvercle filtre d'air et du reniflard de toile.
- (8) Immédiatement après que le nettoyage est fini, reposer le couvercle du filtre d'air, et le serrer avec boulons de fixation. (Lors de remontage, d'abord mettre le cliquet supérieur et puis le cliquet inférieur.)



! DANGER

- Nettoyer l'élément à plusieurs reprises par jour, s'il y a de la poussière excessive y adhérente.
- Si le fonctionnement continue sans enlever l'huile complètement de l'élément, l'huile restant dans le filtre d'air peut tomber dehors, ce qui peut provoquer une contamination d'huile.

3. Vérification de bougie d'allumage

- (1) Ouverture/fermeture du capot de bougie

Pour ouvrir le couvercle, poser les doigts sur la poignée principale et la partie saillante du capot de bougie (Figure 1). Soulever la projection et glisser le capot vers la direction "OPEN". (Figure 2)

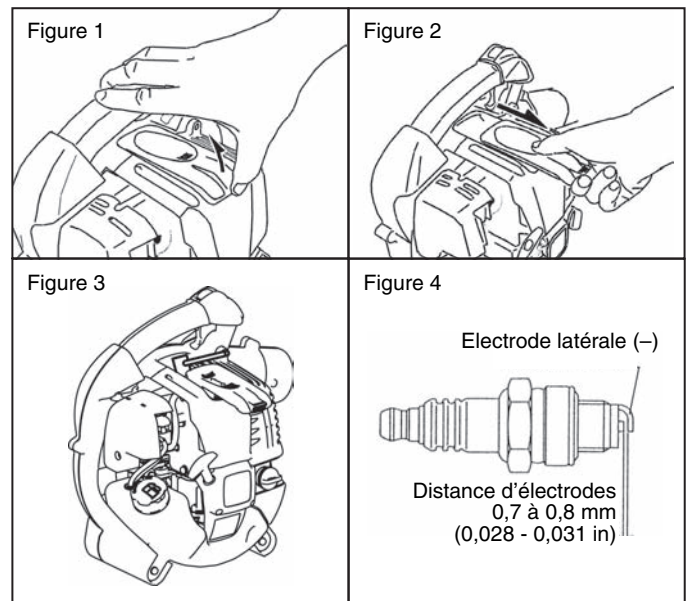
Pour fermer le capot, glisser le capot vers la direction "CLOSE" jusqu'à ce que le clic sous le capot de bougie surmonte le capot du moteur. Finalement, pousser la projection.
- (2) Démontage de bougie d'allumage

Utiliser la clé à douille fournie avec la machine pour monter ou démonter la bougie d'allumage. (Figure 3)
- (3) Vérification de bougie d'allumage

La distance entre les deux électrodes de la bougie est de 0,7 à 0,8 mm. (Figure 4) Régler pour la distance correcte quand elle est trop large ou trop étroite.

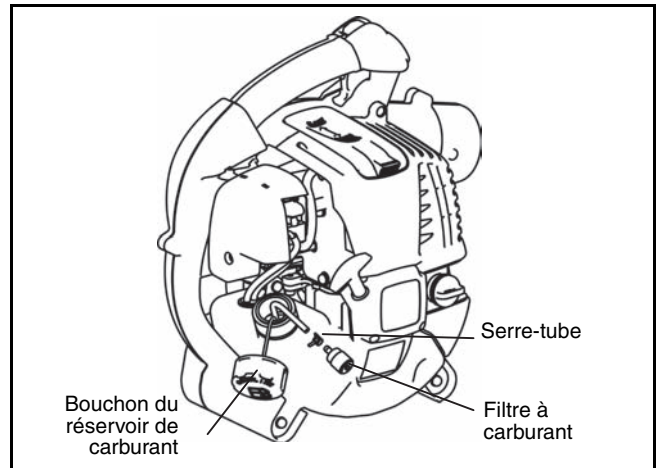
Nettoyer complètement ou remplacer la bougie si le carbone s'accumule ou la bougie est contaminée.
- (4) Remplacement de bougie d'allumage

Pour le remplacement, utiliser NGK-CMR6A.



4. Nettoyage du filtre à carburant

- Le filtre à carburant colmaté peut causer un démarrage difficile ou une défaillance de la montée de vitesse du moteur.
- Vérifier régulièrement le filtre à carburant comme ce qui suit:
 - (1) Démontez le bouchon du réservoir de carburant, évacuez le carburant pour vider le réservoir. Vérifiez l'intérieur du réservoir pour tout corps étranger. Eventuellement, nettoyez les corps étrangers.
 - (2) Faire sortir le filtre à carburant avec le fil de fer à travers l'orifice de remplissage d'huile.
 - (3) Si la surface du filtre à carburant est contaminée, nettoyez la surface à l'aide de l'essence. L'essence utilisée pour le nettoyage doit être jetée conformément aux réglementations locales.
Le filtre doit être remplacé lorsqu'il est trop contaminé.
 - (4) Remettez le filtre à carburant dans le réservoir de carburant et serrez fermement le bouchon du réservoir de carburant. Pour le remplacement, prenez contact avec votre succursale ou l'agent du service après-vente habilité.



5. Contrôle des boulons, écrous et vis

- Resserrer les boulons, écrous, etc.
- Vérifier la fuite de carburant et d'huile.
- Pour un fonctionnement sûr, remplacer les pièces abîmées par des neuves.

6. Nettoyage des pièces

- Garder le moteur propre en l'essuyant avec un chiffon.
- Tenir les ailettes de cylindre propres de toutes sortes de poussière et impureté. L'adhérence de la poussière et l'impureté aux ailettes causera un grippage.

7. Remplacement des joints et garnitures

En cas de démontage du moteur, remplacer les joints et garnitures.

Toutes maintenances ou réglages non décrits dans ces instructions doivent être réalisés par un agent du service après-vente habilité.

REMISAGE

AVERTISSEMENT

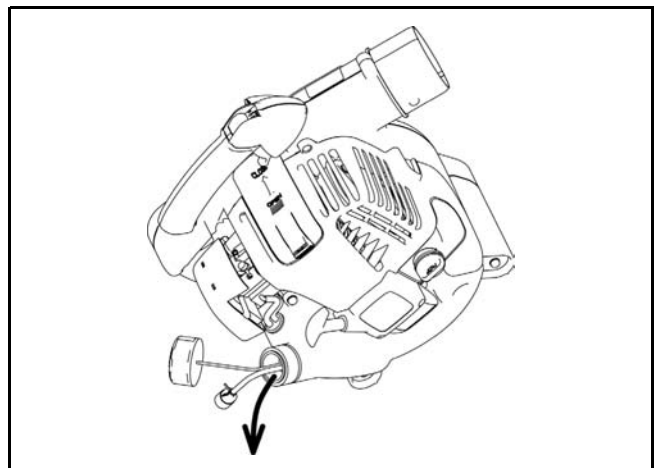
- Lors de décharger le carburant, prendre garde à arrêter le moteur et confirmer que le moteur se refroidit.
- Autrement il y a risque de brûlure ou d'incendie.

DANGER

- Avant de ranger la machine pour une période prolongée, vidanger complètement le réservoir de carburant et le carburateur, et ranger la machine dans un emplacement sec et propre.

Décharger tout le carburant à partir du réservoir du carburant et du carburateur d'après le procédé suivant :

- (1) Enlever le bouchon du réservoir de carburant, et décharger le carburant complètement.
S'il y a plusieurs matières étrangères restant dans le réservoir de carburant, les enlever complètement.
- (2) Tirer le filtre de carburant de l'orifice de ravitaillement avec un fil de fer.
- (3) Tirer la pompe d'amorçage jusqu'à ce que le carburant soit déchargé d'ici, et décharger le carburant venant du réservoir de carburant.
- (4) Remettre le filtre dans le réservoir de carburant, et serrer fermement le bouchon du réservoir de carburant.
- (5) Puis, continuer à faire fonctionner le moteur jusqu'à ce qu'il s'arrête.
- (6) Enlever la bougie d'allumage, faire tomber plusieurs gouttes de l'huile pour moteur au travers du trou de la bougie d'allumage.
- (7) Tirer doucement la poignée de démarrage de façon que l'huile pour moteur s'étende totalement sur le moteur, et monter la bougie d'allumage.
- (8) Placer la machine avec sa poignée vers le haut.
- (9) Garder le carburant déchargé dans un récipient spécial à l'ombre bien aérée.



Localisation des défauts

Défaut	Système	Observation	Cause
Pas de démarrage du moteur ou démarrage difficile	Système d'allumage	Étincelle d'allumage présente	Défaut dans l'alimentation en carburant ou dans le système de compression. Défaut mécanique
		Pas d'étincelle d'allumage	Interrupteur d'arrêt actionné, défaut du fil ou court-circuit, bougie d'allumage ou connecteur défectueux, module d'allumage défectueux
	Alimentation en carburant	Réservoir de carburant rempli	Position incorrecte de l'étrangleur, carburateur défectueux, tête d'aspiration sale, tuyau d'alimentation en carburant plié ou bloqué
	Compression	Pas de compression au tirage	Joint d'étanchéité du fond du cylindre défectueux, soudures du carter endommagées, piston ou segments défectueux ou fuite par la fixation de la bougie d'allumage
Problèmes en démarrage à chaud	Défaut mécanique	Câble non enclenché	Ressort du câble cassé, pièces cassées à l'intérieur du moteur
		Réservoir rempli Étincelle d'allumage présente	Carburateur sale, le nettoyer
Le moteur démarre mais est immédiatement noyé	Alimentation en carburant	Réservoir rempli	Mauvais réglage du ralenti, carburateur contaminé
Performances insuffisantes	Plusieurs circuits sont peut-être affectés Simultanément.	Mauvais fonctionnement du moteur au ralenti	Orifice du réservoir de carburant bouché. Tuyau d'alimentation en carburant plié, câble ou interrupteur STOP défectueux
			Filtre à air sale, carburateur sale, conduit d'échappement du cylindre bouché

Article	Durée de marche								
		Avant marche	Après lubrification	Quotidien (10h)	30h	50h	200h	Arrêt/ repos	Page correspondante
Huile à moteur	Vérifier/Nettoyer	○							26
	Remplacer					○*1			31
Pièces à serrer (boulons, écrous)	Vérifier	○							33
Réservoir à carburant	Nettoyer/Vérifier	○							–
	Evacuer le carburant							○*3	33
Levier d'étranglement	Vérifier les fonctions		○						–
Interrupteur d'arrêt	Vérifier les fonctions		○						29
Rotation à petite vitesse	Vérifier/Ajuster			○					29
Filtre à air	Nettoyer			○					32
Bougie d'allumage	Vérifier			○					32
Conduite d'air de refroidissement	Nettoyer/Vérifier			○					33
Tuyau à carburant	Vérifier			○					33
	Remplacer							⊙*2	–
Filtre à carburant	Nettoyer/ Remplacer					○			33
Espace entre soupape d'entrée d'air et soupape de déchargement d'air	Ajuster							⊙*2	–
Tube d'huile	Vérifier							⊙*2	–
Révision générale du moteur								⊙*2	–
Carburateur	Evacuer le carburant							○*3	33

*1 Faire le remplacement premier après 20h de marche.

*2 Pour le contrôle de 200 heures de marche, s'adresser à l'agent du service après-vente habilité ou à un atelier des réparations.

*3 Après vidage du réservoir à carburant, continuer à faire fonctionner le moteur et évacuer le carburant dans le carburateur.

DEPANNAGE

Avant de faire une demande de réparations, vérifier un inconvénient par soi-même. S'il y a aucune anomalie, régler votre machine suivant la description de ce manuel. Ne jamais manipuler ou déposer aucune partie contrairement à la description. Pour les réparations, s'adresser à l'agent du service après-vente habilité.

Etat d'anomalie	Cause probable (fonctionnement irrégulier)	Remède
Le moteur ne démarre pas	Panne de la pompe d'amorçage	Pousser 7 à 10 fois
	Petite vitesse de tirage du câble de démarreur	Tirer fortement
	Manque de carburant	Remplir
	Colmatage du filtre à carburant	Nettoyer
	Tuyau à carburant plié	Redresser le tuyau à carburant
	Carburant détérioré	Un carburant détérioré laisse le démarrage plus difficile. Renouveler. (Remplacement recommandé: 1 mois)
	Aspiration excessive du carburant	Ajuster la rotation du levier d'étrangleur de vitesse moyenne à la haute, et tirer la poignée de démarreur jusqu'à ce que le moteur démarre. Si le moteur ne démarre pas, déposer la bougie d'allumage, dessécher l'électrode, et les remonter comme ils étaient initialement. Puis, démarrer suivant les instructions.
	Bouchon déposée	Reposer fermement
	Bougie d'allumage tachée	Nettoyer
	Espace anormal de la bougie d'allumage	Ajuster l'espace
	Autre anomalie de bougie d'allumage	Remplacer
	Carburateur anormal	Faire une commande de contrôle et de maintenance.
	Impossible de tirer sur le câble du démarreur	Faire une commande de contrôle et de maintenance.
	Système de commande anormal	Faire une commande de contrôle et de maintenance.
Le moteur s'arrête toute de suite. Le moteur ne s'augmente pas	Réchauffage insuffisant	Faire le réchauffage
	Le levier de réglage est mis à "CLOSE" même si le moteur est réchauffé.	Mettre à "OPEN"
	Colmatage du filtre à carburant	Nettoyer
	Filtre à air sale ou colmate	Nettoyer
	Carburateur anormal	Faire une commande de contrôle et de maintenance.
	Système de commande anormal	Faire une commande de contrôle et de maintenance.
	Câble d'étrangleur détaché	Reposer fermement
	Système de commande anormal	Faire une commande de contrôle et de maintenance.
Le moteur ne s'arrête pas ↓ Faire marcher le moteur au ralenti, et mettre le levier de réglage à "CLOSE".	Connecteur déposé	Reposer fermement
	Système électrique anormal	Faire une commande de contrôle et de maintenance.

Lorsque le moteur ne démarre pas après le réchauffage :

S'il n'y a pas aucune anomalie pour les points de vérification, ouvrir le levier d'étrangleur par un tiers, et démarrer le moteur.

Muchas gracias por comprar el soplador DOLMAR. Nos complace recomendarle el uso del soplador DOLMAR que es el resultado de un extenso programa de investigación desarrollado tras años de estudio y experiencia.

Los sopladores PB-250.4 / PB-251.4 combinan las ventajas del diseño más avanzado con un diseño ergonómico. Son muy ligeros, manejables, compactos y suponen un material profesional para una amplia variedad de aplicaciones.

Por favor lea el folleto que hace referencia con detalle a los diversos puntos que demuestran su excelente funcionamiento. Esto le ayudará a obtener el mejor resultado posible de su soplador DOLMAR.



Contenidos

	Página
SÍMBOLOS	36
INSTRUCCIONES DE SEGURIDAD	37
ESPECIFICACIONES	40
DENOMINACIÓN DE PARTES	41
INSTRUCCIONES DE MONTAJE.....	42
ANTES DE EMPEZAR EL TRABAJO.....	43
OPERACIÓN.....	45
AJUSTE DEL RALENTÍ.....	46
PROCEDIMIENTO DE OPERACIÓN	47
INSPECCIÓN Y MANTENIMIENTO	48
ALMACENAMIENTO.....	50
INVESTIGACIÓN DE AVERÍAS.....	52

SÍMBOLOS

Es de gran importancia comprender los símbolos siguientes para la lectura de este manual de instrucciones.

	ADVERTENCIA/PELIGRO		Combustible (Gasolina)
	Lea, comprenda y siga el manual de instrucciones		Encendido manual del motor
	Prohibido		Paro de Emergencia
	No Fumar		Primeros Auxilios
	No acercar llamas		Reciclaje
	Deben utilizarse guantes protectores		Reciclaje
	Mantener el área de operación libre de personas y animales		ON/ENCENDIDO
	Llevar protección de ojos y oídos		OFF/APAGADO
			Mutilación del dedo o del brazo, álabe de la rueda móvil

INSTRUCCIONES DE SEGURIDAD

Instrucciones generales

- Para asegurar un funcionamiento correcto y seguro, el usuario debe leer, comprender y seguir este manual de instrucciones para familiarizarse con el soplador (1). Los usuarios que no se informen suficientemente, ocasionarán un peligro a si mismos y a otros.
- Se recomienda prestar el soplador únicamente a gente que demuestre experiencia en el uso de sopladores.
- Entregue también siempre el manual de instrucciones.
- Los que utilizan la máquina por vez primera deben preguntar al vendedor las instrucciones básicas para familiarizarse con el manejo de un soplador motorizado.
- No se debe permitir el uso del soplador a niños y personas menores de 18 años. Las personas mayores de 16 años pueden, sin embargo, utilizar la máquina para aprendizaje únicamente, bajo supervisión directa de un monitor cualificado.
- Utilizar la máquina con el máximo cuidado y atención.
- Manejar el soplador sólo si se encuentra en buena condición física.
- Realizar el trabajo con calma y cuidadosamente. El usuario debe aceptar su responsabilidad con otras personas.
- Nunca utilizar el soplador después del consumo de alcohol o drogas (2).
- Nunca utilizar el soplador si se encuentra cansado.
- Conserve estas instrucciones para referencia futura.

Equipo personal de protección

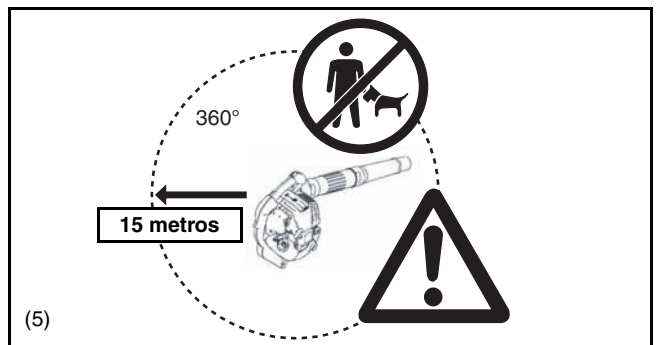
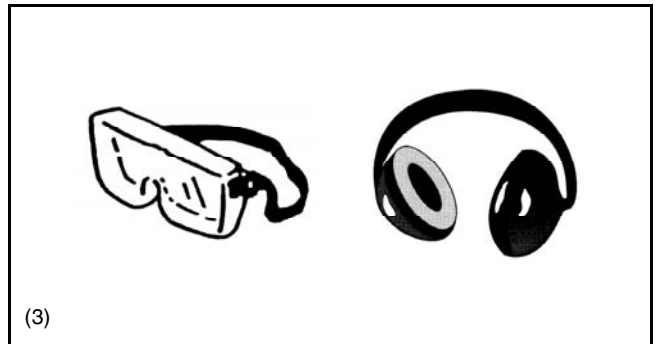
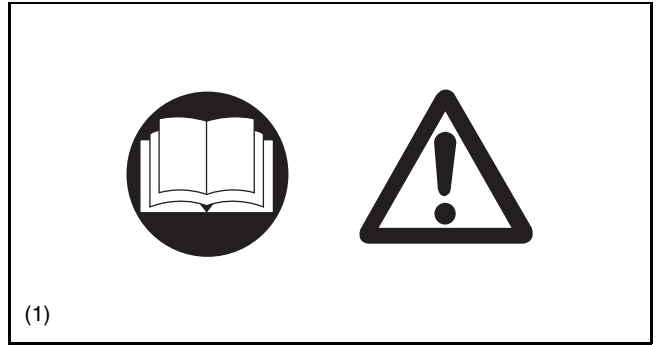
- La ropa utilizada debe ser funcional y adecuada. Por ejemplo, debe quedar ajustada, sin causar estorbo. No llevar joyas, ropa o pelos largos que pueden quedar atrapados con la entrada de aire de la máquina.
- Para evitar heridas en cabeza, ojos, manos, o pies, así como para proteger su oído, el siguiente equipo y ropa de protección debe usarse durante el uso del soplador.

Preste una atención especial a las siguientes medidas

- La ropa debe ser resistente y cómoda, pero debe permitir una completa libertad de movimientos. Evite las chaquetas holgadas, pantalones caídos o anchos en exceso, bufandas, pelo largo suelto o cualquier elemento que pueda introducirse en la entrada de aire. Utilice monos de trabajo y pantalones largos para proteger sus piernas. No llevar pantalones cortos (4).
- El ruido del soplador puede dañar su oído. Lleve protectores (tapones de oídos, auriculares etc) para proteger su oído. Los usuarios regulares deben comprobar el estado de su oído periódicamente (3).
- Se recomienda el uso de guantes cuando trabaje con el soplador. Un buen calzado es de gran importancia. Lleve calzado resistente con suela antideslizante (4).
- Una protección adecuada de la vista es obligatoria. Aunque la descarga no se dirija directamente al usuario, los rechazos y rebotes pueden ocurrir durante el manejo del soplador (3).
- Nunca utilizar el soplador sin llevar gafas o protectores adecuados para la vista con protección frontal y lateral que satisfagan la normativa ANSI Z 87.1 (o la aplicable en su País).

Encendido del soplador

- Asegurar que no hay niños u otras personas en un radio de 15 metros (5) también preste atención a cualquier animal en la proximidad del área de trabajo. No utilice el soplador ponce en áreas urbanas.
- Antes del funcionamiento, comprobar siempre que el soplador puede trabajar de forma segura. Compruebe la seguridad de la palanca de control. Debe comprobarse que la palanca de control se acciona suavemente y con facilidad. Comprobar que funciona el cierre de seguridad de esta palanca. Compruebe que el mango está limpio y seco y que el interruptor I-O funciona bien. Mantenga el mango limpio de aceite y combustible.



Arrancar el soplador sólo de acuerdo con las instrucciones.

¡ No utilizar cualquier otro método para arrancar el motor (6) !

- Utilizar el soplador y las herramientas suministradas sólo para las aplicaciones establecidas.
- Arrancar el soplador sólo después de completar el montaje de la máquina. Sólo se autoriza el funcionamiento de la máquina después de colocar todos los accesorios necesarios.

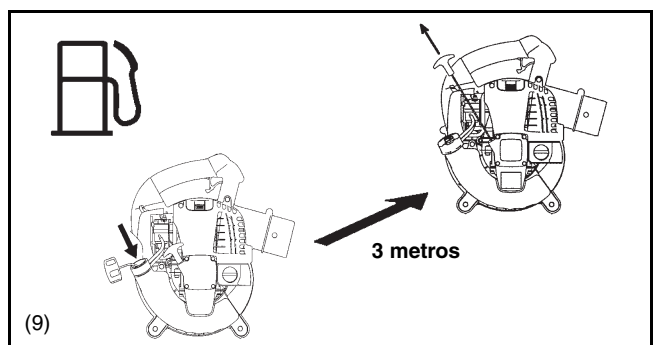
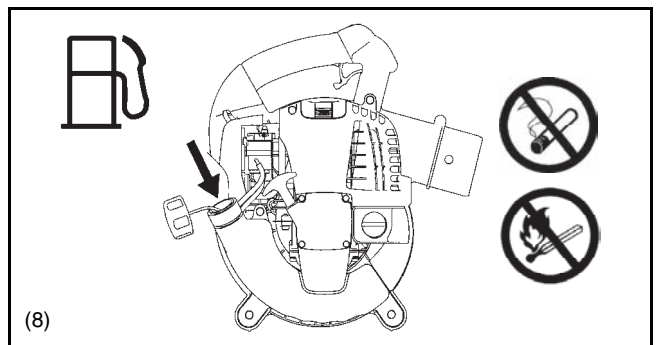
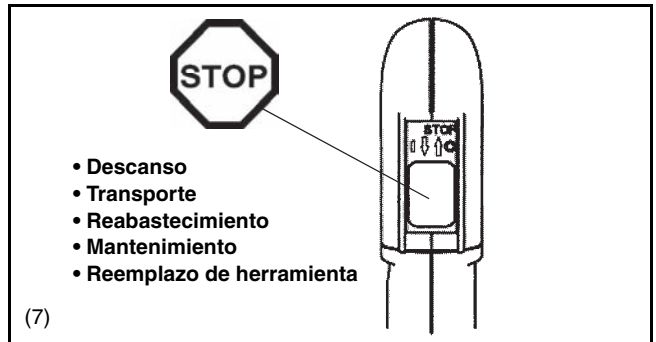
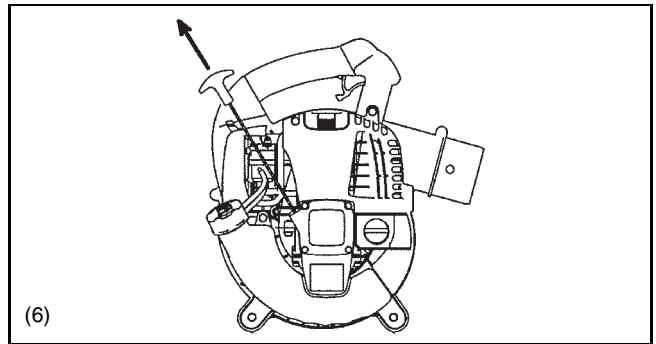
- El motor debe apagarse si se detecta cualquier problema de motor.
- Cuando se trabaje con el soplador, debe colocar sus dedos envolviendo el mango, manteniendo la palanca de control sujeta entre sus dedos pulgar e índice. Mantenga su mano en esta posición para tener la máquina bajo control en todo momento. Asegúrese que la palanca de control (y asidor para el accesorio del aspirador) están en perfectas condiciones y no tienen humedad, manchas de aceite, grasa o alquitrán.

Siempre llevar un calzado seguro y estable.

- Manejar el soplador de forma que se evite la inhalación de gases tóxicos de salida. Nunca encender el motor en habitaciones cerradas (riesgo de envenenamiento y sofoco). El monóxido de carbono es un gas inodoro. Siempre asegúrese que hay una ventilación adecuada.
- Apague el motor cuando descanse y cuando deje el soplador sin atender. Colóquelo en un lugar seguro para impedir daños a otras personas, causar incendios en materiales combustibles, o daños a la máquina.
- Nunca deje el soplador caliente reposando sobre hierba seca u otro material combustible.
- Todas las partes protectoras y cubiertas suministradas con la máquina deben utilizarse durante el funcionamiento.
- Nunca trabajar con un tubo de escape defectuoso.
- Apagar el motor durante el transporte (7).
- Colocar el soplador de forma segura durante su transporte en coche o camión para impedir que pierda combustible.
- Durante el transporte del soplador, asegúrese que el tanque de combustible esté completamente vacío.

Reabastecimiento

- Apagar el motor durante el reabastecimiento (7), mantenerse alejado de llamas (8), y no fume.
- Evite el contacto de los productos derivados del petróleo con su piel. No inhale en vapor del combustible. Siempre lleve guantes protectores durante el reabastecimiento. Cambie y limpie la ropa protectora en intervalos periódicos.
- Tome la precaución de no derramar combustible o aceite para impedir la contaminación del suelo (protección del medio ambiente). Limpie el soplador inmediatamente si se ha derramando combustible. Deje que las ropas húmedas se sequen bien antes de echarlas a un contenedor cubierto para prevenir la combustión instantánea.
- Evite el contacto del combustible con su ropa. Cambie su ropa inmediatamente si se ha vertido combustible (riesgo de incendio).
- Inspeccione la tapa de combustible periódicamente y asegúrese que queda firmemente sujeta.
- Apriete cuidadosamente el tornillo de cierre del tanque de combustible. Cambie de lugar para arrancar el motor (por lo menos a una distancia de 3 metros del lugar de reabastecimiento) (9).
- Nunca reponer combustible en habitaciones cerradas. Los vapores de combustible se acumulan al nivel del suelo (riesgo de explosión).
- Únicamente transporte y almacene el combustible en contenedores aprobados. Asegúrese que el combustible almacenado no queda al alcance de niños.
- No intente reponer combustible en un motor caliente o en marcha.



Método de funcionamiento

- Utilizar el soplador sólo cuando las condiciones de luz y visibilidad sean buenas. Durante las estaciones de frío, tome precauciones en áreas húmedas y resbaladizas, hielo y nieve (riesgo de caídas). Siempre utilice un calzado seguro.
- Nunca trabaje sobre superficies poco estables o terrenos con gran desnivel.
- Para reducir el riesgo de daños personales, no dirigir el chorro de aire hacia transeúntes, dado que la alta presión del aire puede herir los ojos y puede lanzar pequeños objetos a gran velocidad.
- Nunca inserte ningún objeto extraño en la entrada de aire ni en la salida del soplador. Se dañaría la hélice y puede causar un daño grave al operador o a transeúntes si el objeto o partes rotas salen rechazadas a gran velocidad.
- Prestar atención a la dirección del viento, es decir, no trabaje contra el viento.
- Para reducir el riesgo de volcar y perder el control, no camine hacia atrás mientras se trabaja con la máquina.
- Apague siempre el motor antes de limpiar o hacer el servicio a la máquina, o al cambiar partes de la misma.

Instrucciones de mantenimiento

- Guarde respeto al medio ambiente. Trabaje con el soplador realizando el mínimo ruido y polución posibles. En particular, compruebe que el ajuste del carburador es el adecuado.
- Limpie el soplador periódicamente y compruebe que todos los tornillos y tuercas están firmemente apretados.
- Nunca efectuar el mantenimiento o almacenaje del soplador cerca de llamas, chispas, etc (11).
- Siempre almacene el soplador en una habitación cerrada y bien ventilada, y con el tanque de combustible vacío.

Observe y siga todas las instrucciones de prevención de accidentes aplicables, emitidas por asociaciones, sindicatos y compañías de seguros. No realice ninguna modificación en el soplador dado que esto pondría en riesgo su seguridad.

La realización del mantenimiento o reparaciones por parte del usuario se limita a las actividades que se describen en el manual de operaciones. Las operaciones restantes deben efectuarse por el Agente Autorizado de Servicio.

Utilice sólo piezas de recambio y accesorios suministrados por DOLMAR.

La utilización de piezas no aprobadas conlleva un aumento en el riesgo de accidentes y daños. DOLMAR no aceptaría ninguna responsabilidad por los accidentes o daños que sean causados por el uso de accesorios no aprobados.

Primeros auxilios

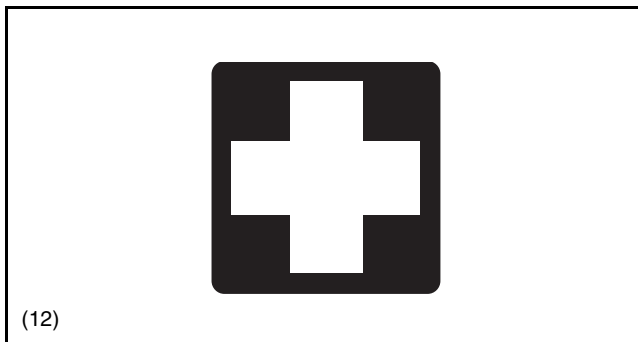
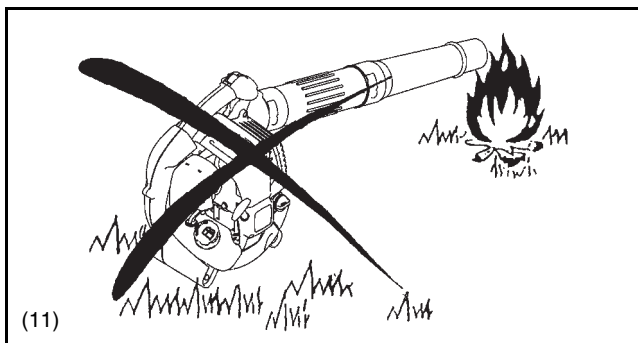
Para el caso de accidente asegúrese que un botiquín de primeros auxilios esté disponible cerca del lugar de trabajo. Reponer inmediatamente cualquier producto que se utilice del botiquín.

Cuando se pida ayuda, se debe proporcionar la siguiente información.

- Lugar del accidente
- Qué ha ocurrido
- Número de personas heridas
- Clase de heridas
- Su nombre

Embalaje

El soplador DOLMAR se suministra en una caja protectora de cartón para impedir daños durante el transporte. El cartón es una materia prima básica y es por consiguiente reusable o apropiado para reciclar (reciclado de papel de desecho).



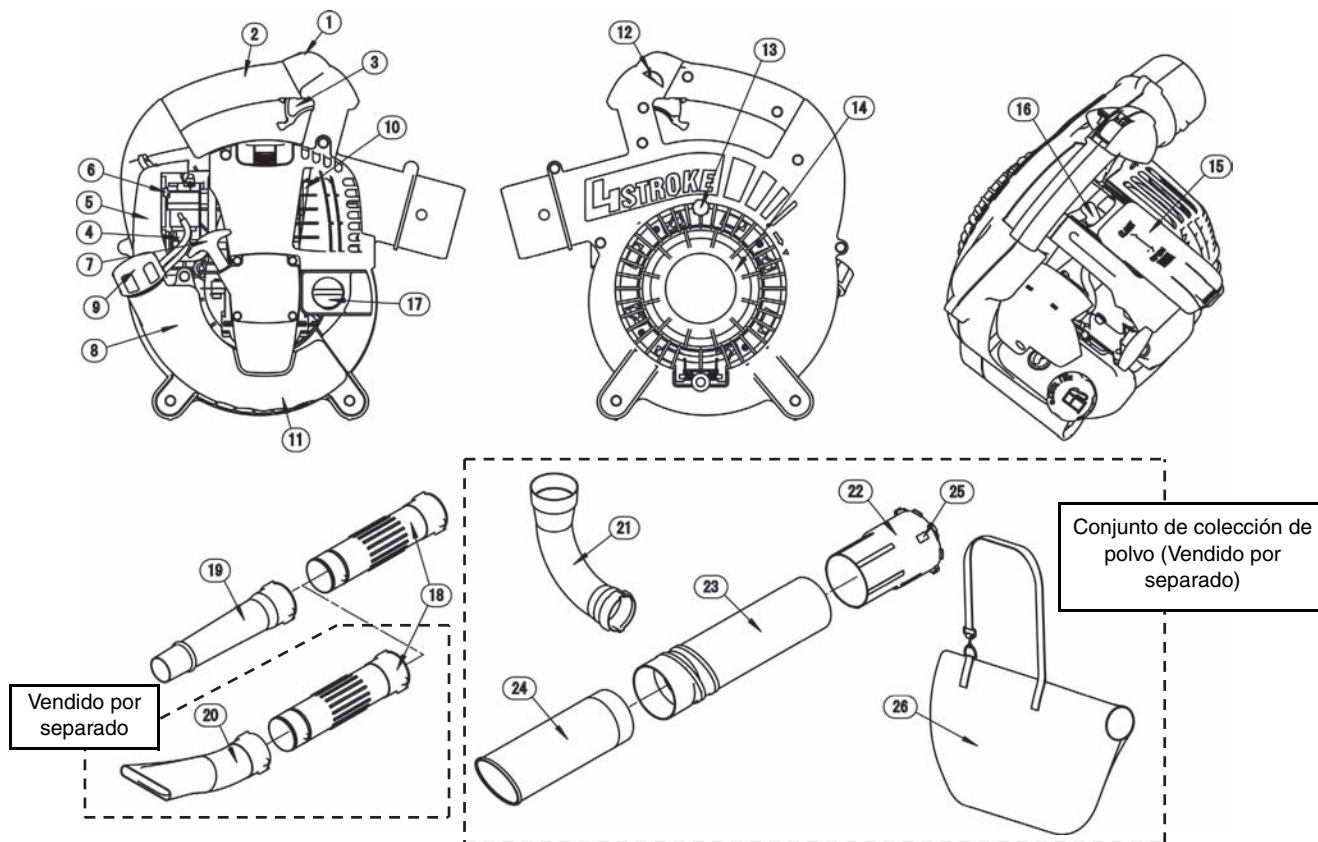
ESPECIFICACIONES

Modelo		PB-250.4 PB-251.4
Peso (sin tubos)	(kg)	4,5 (9,9 lbs)
Dimensiones (sin tubos) (largo x ancho x alto)	(mm)	350x231x368 (13,8x9,1x14,5 in)
Máxima velocidad de motor	(/min)	7.800
Ralentí	(/min)	3.500
Desplazamiento total	(mL)	24,5 (1,49 cu. in)
Combustible a usar		Gasolina para autos
Volumen del tanque de combustible	(L)	0,52 (17,6 fl. oz)
Aceite del motor		Aceite SAE 10W-30 de clasificación API, clase SF o superior (para motores de automóviles de 4 tiempos)
Volumen del aceite de motor	(L)	0,08 (2,7 fl. oz)
Carburador (diafragma)		WALBRO WYL
Encendido		Incendido en estado sólido
Bujías		NGK CMR6A
Distancia entre electrodos	(mm)	0,7 - 0,8 (0,028-0,031 in)
Nivel de ruido (50 Feet según ANSI B175-2-2000)	dB(A)	67

Nota:

1. Utilice el aceite y la bujía de alta tensión designados por DOLMAR.
2. Las especificaciones se podrán modificar sin previo aviso.

DENOMINACIÓN DE PARTES



DENOMINACIÓN DE PARTES	DENOMINACIÓN DE PARTES	DENOMINACIÓN DE PARTES	DENOMINACIÓN DE PARTES
1. Interruptor de paro	8. Tanque de combustible	15. Tapa de la bujía	22. Tubo A de Aspirador
2. Mango principal	9. Tapón de tanque de combustible	16. Bujía de alta tensión	23. Tubo B de Aspirador
3. Palanca de disparo	10. Silenciador	17. Tapón de aceite	24. Tubo C de Aspirador
4. Bomba de cedado	11. Mango de apoyo	18. Tubo del soplador	25. Marca de flecha
5. Tapa de filtro de aire	12. Palanca de control de crucero	19. Boquilla A del soplador	26. Saco de polvo
6. Palanca de choque	13. Tornillo	20. Boquilla B del soplador	
7. Mango de arrancador	14. Protector	21. Codo	

INSTRUCCIONES DE MONTAJE



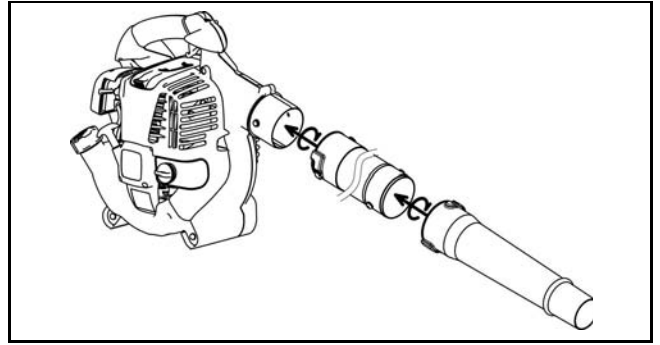
PRECAUCION : Antes de efectuar cualquier trabajo en el soplador, siempre detener el motor y separar los conectores de la bujía.

Siempre llevar guantes protectores.

PRECAUCION : Arrancar el soplador sólo después de ensamblarlo completamente.

1. ENSAMBLAJE DE LOS TUBOS DEL SOPLADOR.

- 1) Alinear las ranuras del tubo del soplador con las tetillas de la carcasa del motor e introducir el tubo.
- 2) Girar el tubo en dirección de las agujas del reloj y sujetar firmemente.



2. ENSAMBLAJE DEL ACCESORIO ASPIRADOR.

1) Instalación del tubo del aspirador (boquilla)

- (1) Aflojar el tornillo ① y abrir el protector ②.





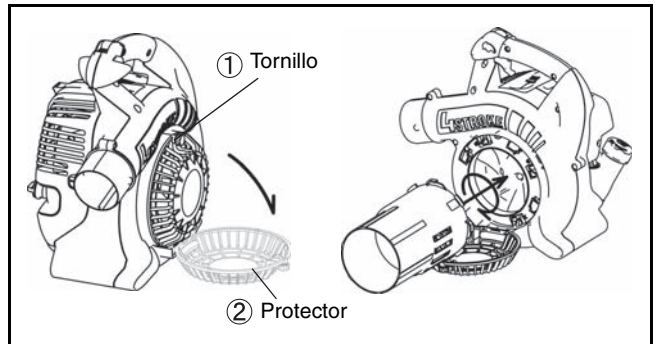
ADVERTENCIA

Al emplear esta máquina como soplador, asegurarse de la fijeza completa del tornillo ① siempre antes de empezar el trabajo. Si el tornillo es suelto, apriételo de nuevo.

La operación con el tornillo ① suelto es peligrosa.

El propulsor puede atrapar sus dedos o su ropa provocando un accidente serio.

- (2) Alinear la flecha  marcada sobre el tubo de aspirador con el “●” marcado en el soplador. Entonces insertar el tubo del aspirador en el soplador.
- (3) Girar el tubo del aspirador hasta que  se alinee con “▼” marcado en el soplador para sujetar el tubo del aspirador.

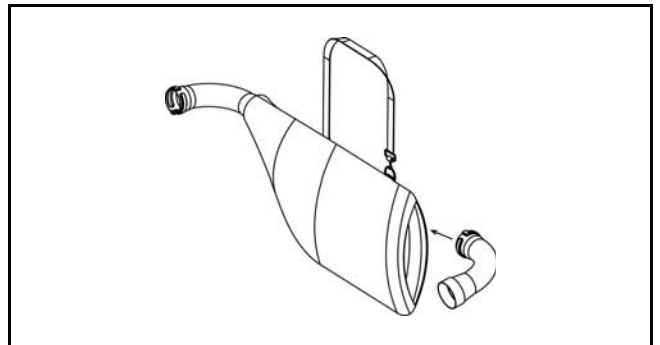


ADVERTENCIA

Siempre debe sujetar el extremo del tubo del aspirador cuando coloque o quite el tubo del aspirador.

2) Instalación del codo y saco de polvo.

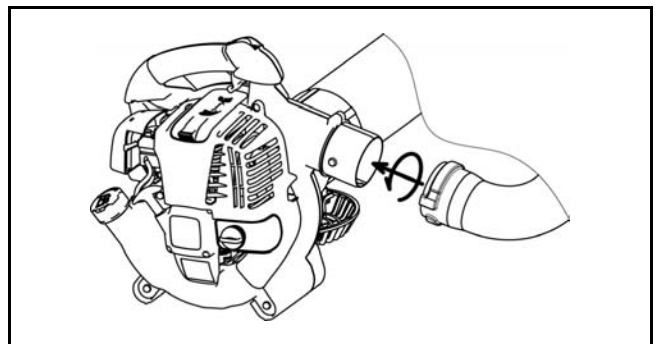
- (1) Abra la cremallera del saco.
- (2) Inserte el codo en el saco. Fije el codo en esa posición con la banda de velero.
- (3) Instale el codo en el soplador.



ADVERTENCIA

No intente recoger grandes virutas de madera, metal, vidrio, piedras, líquidos, cigarrillos encendidos, productos pirotécnicos o similares.

Siempre monte el protector/tubo del aspirador en la forma correcta antes de poner en marcha la máquina. El funcionamiento sin el protector/tubo del aspirador es peligroso, el propulsor puede atrapar sus dedos o su ropa y provocar daños graves.



ANTES DE EMPEZAR EL TRABAJO

1. Inspección y reabastecimiento de aceite de motor

(1) Realice el procedimiento siguiente cuando el motor esté frío.

Asegúrese de que el motor está sobre una superficie horizontal como se muestra en la Figura 1.

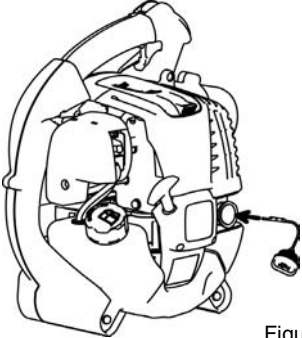
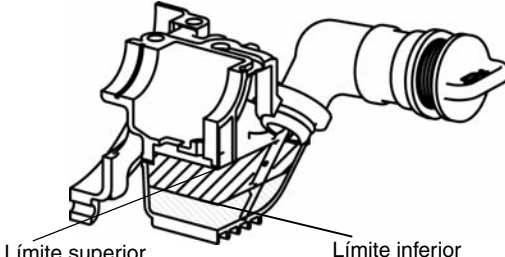
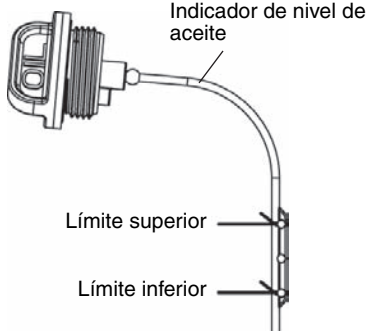
- **Inspección:** Quite el tapón de aceite. Limpie el indicador de nivel de aceite. Vuelva a instalar el tapón de aceite (Figura 2) y sáquelo. Confirme que el aceite está entre el límite inferior o superior del indicador de aceite.
- **Relleno:** Después de hacer la inspección si el aceite está por debajo del límite inferior, añada aceite a través de la misma abertura que fue quitado el tapón de aceite. Consulte la Figura 4 sobre cómo orientar el motor para rellenar el aceite.

(2) Es posible que necesite rellenar aceite aproximadamente cada 10 horas de uso (cada 10 reabastecimientos de combustible).

(3) Si el aceite ha cambiado de color o tiene impurezas, reemplácelo. (Para el intervalo y método de reemplazo, consulte la página 48)

Aceite recomendado: SAE 10W-30 de clasificación API, clase SF o superior (para motores de automóviles de 4 tiempos)

Volumen de aceite: 0,08L aproximadamente. (2,7 fl. oz)

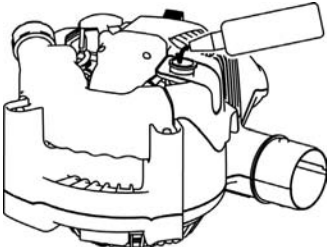
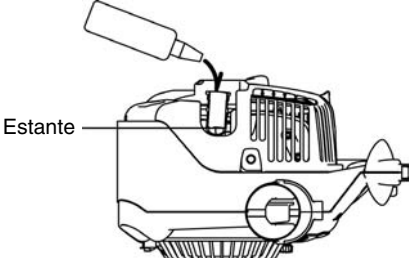
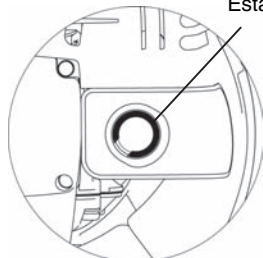
Método de la inspección de aceite de motor		
 <p>Figura 1</p>	 <p>Límite superior Límite inferior</p> <p>Figura 2</p>	 <p>Indicador de nivel de aceite</p> <p>Límite superior</p> <p>Límite inferior</p> <p>Figura 3</p>

NOTA

- Si el motor no está en una posición como la mostrada en la Figura 1 sobre una superficie horizontal, la indicación del nivel de aceite podrá no ser correcta.
- Si el aceite está reabastecido más del límite, el aceite puede ensuciarse o prender fuego con humo blanco.

Reemplazo de la "bayoneta de aceite" del aceite

- Elimine el polvo y la suciedad de los alrededores del orificio de reabastecimiento y saque la bayoneta de nivel de aceite.
- No ensucie la bayoneta de nivel con arena o polvo. Si lo hace, la arena y el polvo que se han adherido a la bayoneta de nivel causarán una circulación irregular del aceite y se desgastarán las piezas del motor, lo que causará problemas de funcionamiento.
- Una manera de conservar la bayoneta limpia es insertarla por su asa en la cubierta del motor.

 <p>Figura 4</p>	 <p>Estante</p> <p>Figura 5</p>	 <p>Estante</p> <p>Figura 6</p>
---	--	--

Después de rellenar aceite

- Limpie con un trapo el aceite vertido.

2. Abastecimiento de combustible

ADVERTENCIA

- Cuando reabastezca combustible a la unidad, asegúrese de observar las instrucciones siguientes para evitar una ignición o incendio:
 - El suministro de combustible deberá ser realizado en un lugar donde no haya fuego. No lleve nunca el fuego (fumar, etc.) cerca del lugar donde realiza el suministro de combustible.
 - Pare el motor y déjelo enfriar antes de realizar el reabastecimiento.
 - Abra el tapón del tanque de combustible despacio. Es posible que el combustible se derrame si hay presión interna.
 - Tenga cuidado para no derramar el combustible. Cualquier combustible vertido deberá ser limpiado.
 - Efectúe el abastecimiento en un lugar con ventilación adecuada.
- Tenga buen cuidado con el manejo de combustible.
 - El combustible pegado al piel o metido en los ojos podrá causar alergia o inflamación. En caso que tenga alguna anomalía en el cuerpo, consulte con un médico especializado inmediatamente.
- NO ponga aceite en el tanque de combustible.

PERÍODO DE ALMACENAMIENTO DEL COMBUSTIBLE

El combustible debe utilizarse dentro de un período de 4 semanas, incluso cuando se almacene en un recipiente especial en un área sombreada y bien ventilada.

Cuando no se utilice un recipiente especial o si éste no está cubierto, el combustible puede deteriorarse en un día.

Almacenaje de la máquina y del tanque de reabastecimiento

- Conservar la máquina y el tanque en lugar fresco libre de luz solar directa.
 - No deje nunca combustible en un automóvil.
-
-

COMBUSTIBLE

El motor es de cuatro tiempos. Asegúrese de utilizar gasolina normal o especial para automóviles.

Puntos relacionados con el combustible

- Nunca use gasolina mezclada con aceite de motor. Si lo hace se producirá una excesiva acumulación de carbonilla u ocurrirán problemas mecánicos.
 - El uso de un combustible deteriorado puede producir irregularidades en el arranque.
-
-

Cuando reabastezca combustible, asegúrese de parar el motor y confirmar que el motor está frío.

MÉTODO DE REABASTECIMIENTO DE COMBUSTIBLE

- Afloje el tapón del tanque un poco para liberar la presión del tanque.
- Quite el tapón del tanque, y reabastezca combustible al tiempo que deja salir el aire inclinando el tanque de combustible de manera que el orificio de reabastecimiento quede orientado hacia arriba.
(NO llene nunca el tanque de combustible hasta rebosar.)
- Después de reabastecer combustible, apriete el tapón del tanque firmemente.
- Si hay algún defecto o daño en el tapón del tanque, reemplácelo.
- El tapón del tanque se estropea con el paso del tiempo. Reemplácelo cada dos o tres años.
- NO ponga combustible en el orificio de llenado de aceite.

OPERACIÓN



1. Modo de arranque

⚠ ADVERTENCIA

- No deje arrancar el motor en el lugar donde se ha abastecido el combustible.
 - Podrá causar ignición o incendio. Cuando arranque el motor, manténgase a una distancia de al menos 3 metros.
- El gas de escape del motor es tóxico. No arranque el motor en un lugar sin ventilación adecuada tales como en el interior, túnel, etc.
 - Utilizar en un lugar sin ventilación adecuada podrá causar efecto tóxico del gas de escape.
- Una vez arrancado, si se siente anormal en sonido, olor, vibración, etc., detenga inmediatamente el motor y proceda a inspeccionarlo.
 - Seguir utilizándolo sin parar podrá causar un accidente.
- Compruebe que el motor parará cuando el interruptor de paro está en la posición "O".

1) Cuando el motor esté frío o después de reabastecer combustible

- (1) Coloque la máquina sobre una superficie plana.
- (2) Coloque el interruptor de paro en la posición "I" (Figura 1).
- (3) Continúe empujando la bomba de cedado hasta que entre combustible en la misma (Figura 2).
 - En general, el combustible entra en la carburador después de empujar de 7 a 10 veces.
 - Si la bomba de cedado se empuja excesivamente, un exceso de la gasolina vuelve al tanque de combustible.
- (4) Levante la palanca del choque hasta la posición cerrada (Figura 3).
- (5) Sujete el mango principal con la mano izquierda para evitar que el motor se mueva.
- (6) Tire suavemente del mango de arrancador hasta que se sienta una resistencia (punto de compresión). Luego, retorne el mango de arrancador y tire con fuerza (Figure 4).
 - Nunca tire hasta el límite del cordón.
 - Cuando se tire del mango de arrancador, no la suelte inmediatamente. Sujete el mango de arrancador hasta que vuelva a su posición original.
- (7) Abra la palanca de choque después de que el motor haya arrancado (Figura 5).
 - Abra la palanca de choque progresivamente al tiempo que comprueba el funcionamiento del motor. Asegúrese de abrir la palanca de choque plenamente al final.
 - En tiempo frío o cuando el motor está frío, nunca abra súbitamente la palanca de choque. De hacerlo, el motor puede pararse.
- (8) Deje que el motor se caliente durante 2 ó 3 minutos.
- (9) El calentamiento se habrá completado cuando se produzca una aceleración rápida del motor desde pocas rpm hasta todo gas.

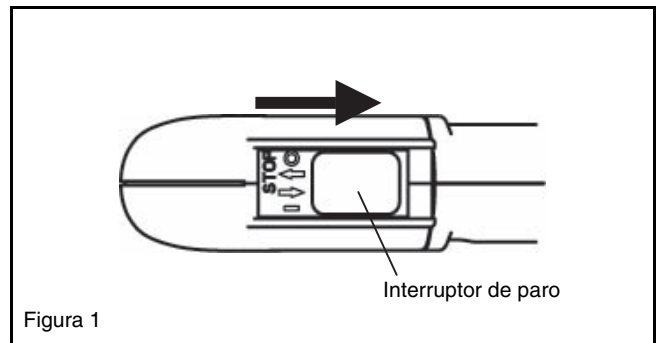


Figura 1

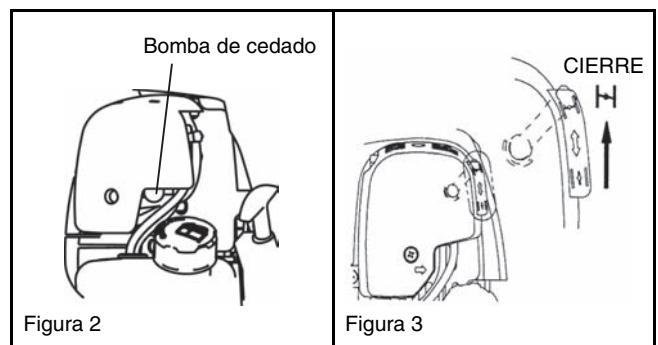


Figura 2

Figura 3

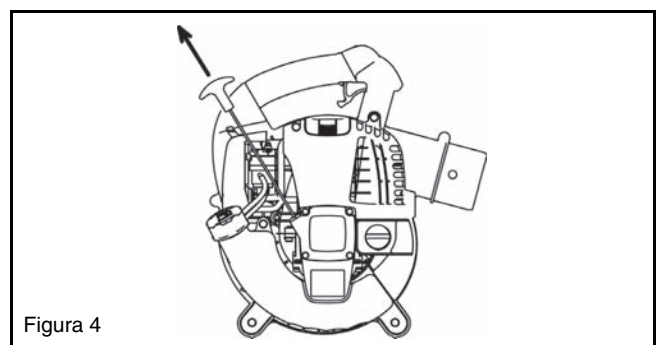


Figura 4

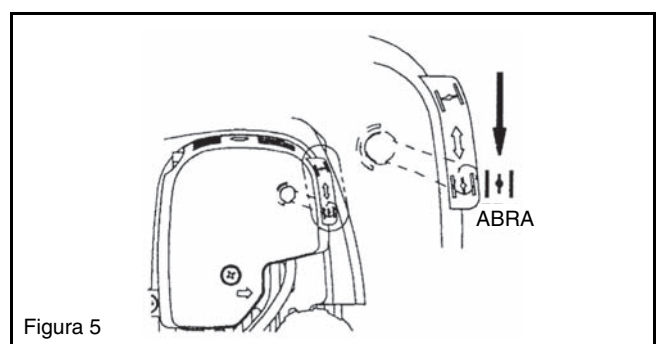


Figura 5

NOTA

- La palanca de choque, si se levanta más encima de la posición "CLOSE", el motor podrá dañarse.
- Si el motor detona y se para, vuelva a poner esta palanca en la posición "OPEN" y tire del mango de arrancador varias veces para arrancar el motor otra vez.
- Si el operario sigue tirando del mango de arrancador varias veces estando la palanca del estrangulador en la posición "CLOSE", es posible que resulte difícil arrancar el motor debido a una anegación de combustible.
- En el caso de una alegación de combustible, quite la bujía y tire del mango varias veces rápidamente para descargar cualquier exceso de combustible. Seque el electrodo de la bujía.
- En caso de que la válvula de mariposa no vuelva hasta que toque el tornillo ajustador de marcha lenta aunque la palanca de admisión de los gases funcione a la velocidad baja, ajuste el enganche del cable de control para que vuelva.

2) Cuando está caliente el motor

- (1) Coloque la máquina sobre el suelo plano.
- (2) Empuje unas veces la bomba de cebado.
- (3) Asegúrese que la palanca de choque está abierta.
- (4) Sujete el mango principal con la mano izquierda para evitar que el motor se mueva.
- (5) Saque lentamente el mango de arrancador hasta que sienta cierta resistencia. Entonces, vuelva una vez el mango de arranque y tire fuertemente.
- (6) En caso de que sea difícil el arranque del motor, proceda a arrancarlo con la válvula mariposa abierta por 1/3 aproximadamente.

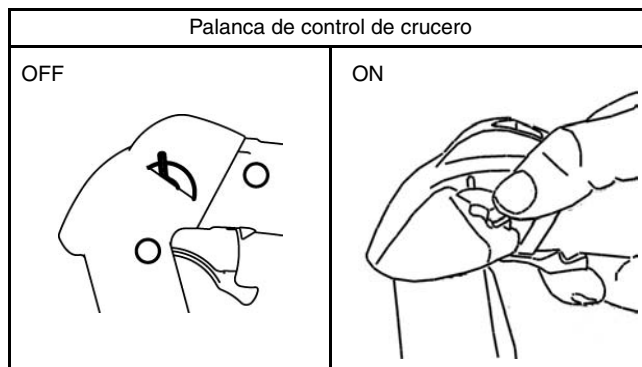
2. Modo de parar

1) Cuando la palanca de control de crucero está desconectada

Suelte la palanca de disparo para bajar la velocidad del motor, ponga el interruptor de paro en la posición "O".

2) Cuando la palanca de control de crucero está conectada

Ponga la palanca de control de crucero en la posición "OFF", y una vez bajada la velocidad del motor, ponga el interruptor de paro en la posición "O".



AJUSTE DEL RALENTÍ



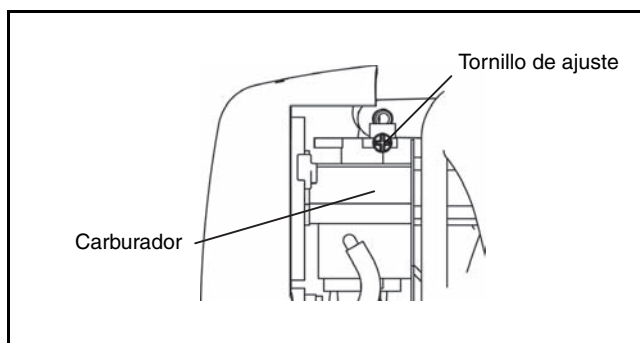
⚠ PELIGRO

El carburador se ajusta en fábrica. Le rogamos que no haga ningún otro ajuste que el de ralentí. Si fuera necesario reajustarlo, póngase en contacto con su distribuidor o un Agente de Servicio Autorizado.

Comprobación del giro a baja velocidad

Ajuste el giro a baja velocidad a 3.500 rpm (/min).

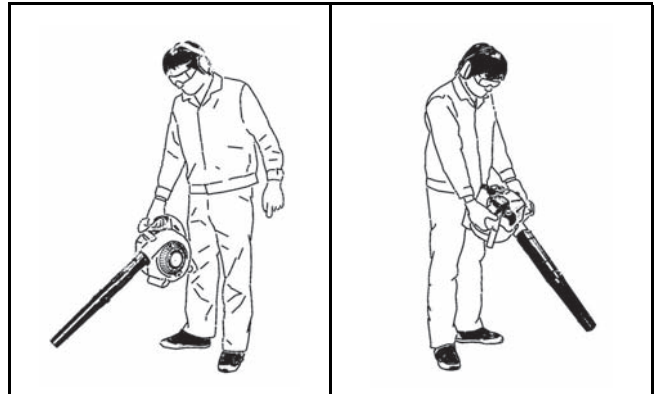
- Si fuera necesario cambiar la velocidad de giro, regule el tornillo de ajuste usando un destornillador Philips.
- Gire el tornillo de ajuste hacia la derecha, y aumentará la velocidad el motor. Gire el tornillo de ajuste hacia la izquierda, y disminuirá la velocidad el motor.



PROCEDIMIENTO DE OPERACIÓN

1. Operación del soplador

- Sujete bien el soplador durante la operación.
- Dirija la punta de la boquilla hacia un objeto a soplar y tire la palanca de disparo.
- La palanca de disparo puede fijarse en cualquier posición por medio de la palanca de control de crucero.
- Se mantendrá la palanca de disparo a la velocidad de motor adecuada a la operación y se pondrá la palanca de control de crucero en la posición "ON".
- Para ajustar la velocidad del motor, ponga la palanca de control de crucero en la posición "OFF" y una vez ajustada de nuevo la velocidad del motor con la palanca de disparo, ponga la palanca de control de crucero en la posición "ON" para que se fije.
- La operación de la palanca de disparo con la palanca de control de crucero en la posición "ON" podrá causar una avería.
- Puesto que la parte inferior del tanque de combustible es el mango de apoyo, puede manejar con dos manos. En este caso, debe agarrar el mango de apoyo con la mano derecha.



2. Operación de colección de polvo

⚠ ADVERTENCIA

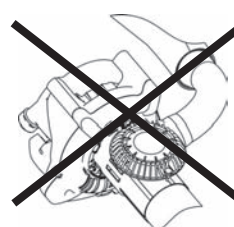
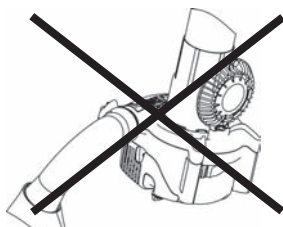
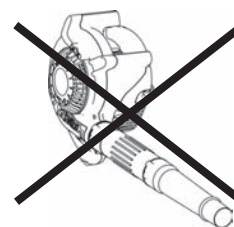
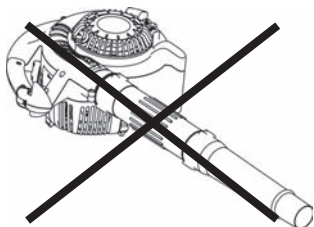
- No deje aspirar aceite combustible, gasolina, cigarrillo encendido, etc.
 - Podrá causar incendios.
- No deje aspirar piezas de madera grandes, metal, cristal, piedras u otros materiales extraños.
 - Podrá causar averías.
- Un saco de polvo demasiado lleno podrá rebosar y verterse hacia el lado del motor. Vacíe el saco antes de que se llene completamente.
 - Podrá causar incendios.

- Cuelgue la cinta del saco de polvo en el hombro y ajuste el largo de la cinta para que se facilite la operación.
- Asegúrese que el saco de polvo no está torcido y proceda la operación de colección de polvo tirando la palanca de disparo.
- Cuando el saco de polvo esté lleno, quítelo de la máquina y abra la cremallera para vaciarlo.



NOTA

Si utiliza la máquina con el protector orientado hacia arriba o el mango principal hacia abajo, podrá aparecer humo blanco, el aceite podrá contaminarse o el aceite podrá derramarse.





⚠ PELIGRO

- Antes de efectuar la inspección y mantenimiento, detenga el motor y efectúe la operación después de que se haya enfriado el motor. Quite la bujía y el tapón de la bujía.
 - La operación que se efectúa inmediatamente después de que pare el motor o la operación con el tapón de la bujía puesto podrá causar un accidente por quemadura o por el arranque imprevisto.
- Después de terminar la inspección y mantenimiento, compruebe que todas las piezas estén instaladas antes de empezar la operación.

1. Cambio del aceite del motor

El aceite del motor que se ha deteriorado acortará sustancialmente la duración de las piezas deslizantes y giratorias. Asegúrese de comprobar el período de recambio y la calidad del aceite.

⚠ PELIGRO

- En general, el motor y el aceite siguen calientes después de pararse el motor. Cuando cambie el aceite, confirme que el motor y el aceite se han enfriado. Si no lo hace puede quemarse. Deje pasar tiempo suficiente después de parar el motor para que el aceite del motor vuelva al tanque de aceite con objeto de asegurar una lectura precisa del indicador de nivel de aceite.
- Si el aceite es suministrado más del límite, puede ensuciarse o puede prender fuego con humo blanco.

Intervalo de recambio: Después de las primeras 20 horas de funcionamiento y posteriormente cada 50 horas de funcionamiento.

Aceite recomendado: SAE10W-30 de clasificación API, clase SF o superior (para motores de automóviles de 4 tiempos)

Haga lo siguiente durante el recambio del aceite.

- (1) Confirme que el tapón del tanque está apretado firmemente.
- (2) Saque el tapón de aceite.
 - No manche la bayoneta con suciedad o polvo.
- (3) Incline la máquina en orden como se muestra en la Figura 1.
 - El aceite se recibirá en un recipiente.
- (4) Oriente la máquina como se muestra en la Figura 2 y rellene aceite hasta el estante dentro del tubo de aceite.
- (5) Después de rellenar el aceite, apriete firmemente la bayoneta de nivel. Un apriete insuficiente de la bayoneta puede causar fugas de aceite.

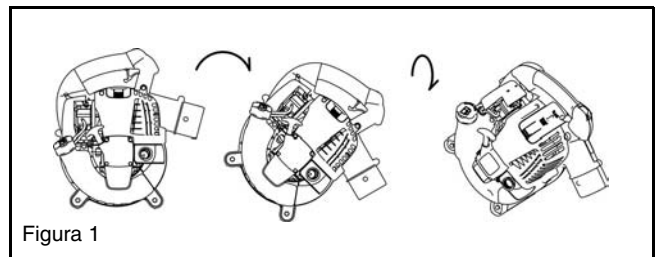


Figura 1

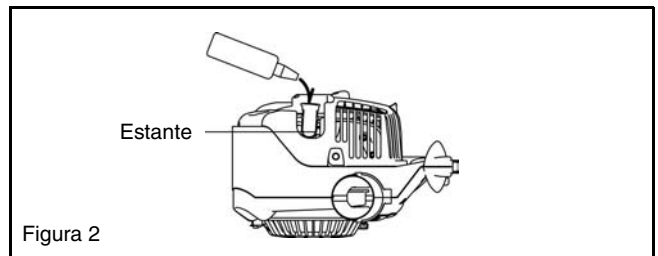


Figura 2

Puntos relacionados con el aceite

- Nunca tire el aceite de motor usado a la basura, sobre la tierra o a un canal de aguas residuales. El desecho del aceite del motor está regulado por la ley. Siga siempre las leyes y regulaciones pertinentes cuando lo deseché. Para una información más detallada, póngase en contacto con un Agente de Servicio Autorizado.
- El aceite se deteriora aunque no se use. Realice inspecciones y cambie el aceite regularmente (cambie el aceite cada 6 meses).

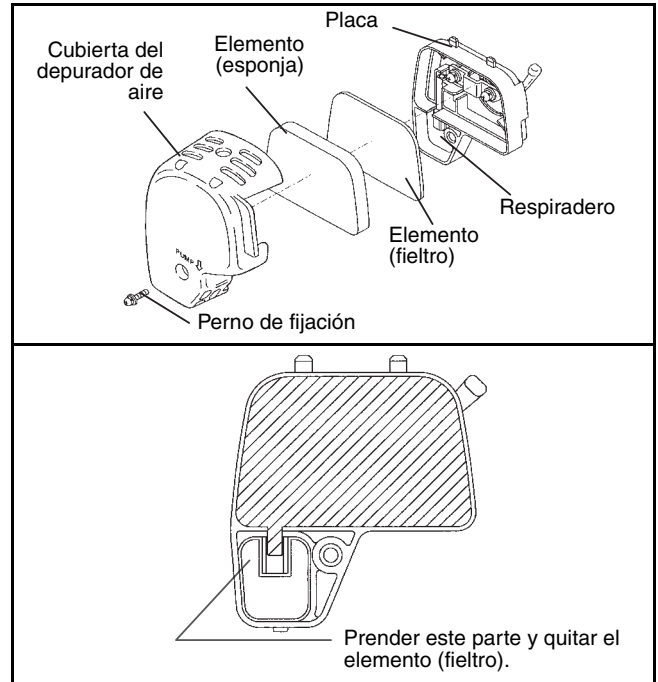
2. Limpieza del depurador de aire



ADVERTENCIA: LOS MATERIALES INFLAMABLES ESTÁN EstrictAMENTE PROHIBIDOS

Intervalo de limpieza e inspección: diariamente (cada 10 horas de funcionamiento)

- (1) Quite los pernos de fijación de la cubierta del depurador de aire.
- (2) Tire del lado inferior de la cubierta y suéltela.
- (3) Gire la palanca de choque a la posición de cierre total y no permita que entre polvo o suciedad en el carburador.
- (4) Si el aceite se adhiere al elemento (esponja), exprímala fuertemente.
- (5) Para contaminación fuerte:
 - Quite el elemento (esponja), sumérjalo en agua templada o en detergente neutro diluido en agua, y séquelo completamente.
 - Limpiar el elemento (fieltro) con gasolina, y secarlo completamente.
- (6) Antes de colocar el elemento, secarlo completamente. Si el elemento no se seca completamente, el motor no puede arrancar sin contratiempo.
- (7) Secar con tejido usado el aceite adherente en la tapa del filtro de aire y el respiradero de placa.
- (8) Inmediatamente después de terminar la limpieza, instale la cubierta del depurador y apriétela con los pernos de fijación (coloque primero la garrá superior y luego la inferior).

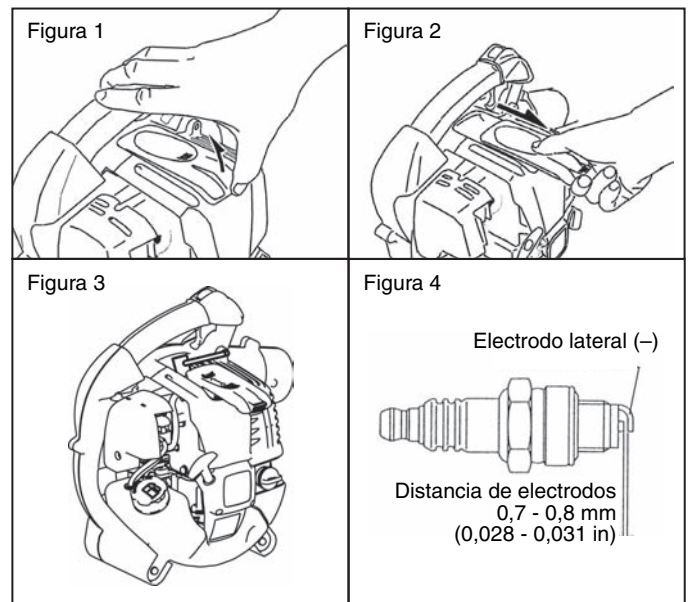


⚠ PELIGRO

- Limpiar el elemento varias veces a diario si hay polvos adherentes en exceso.
- Si la marcha continua con el elemento adherente del aceite, el aceite en el filtro de aire puede caerse fuera, provocando contaminación del aceite.

3. Inspección de la bujía de alta tensión

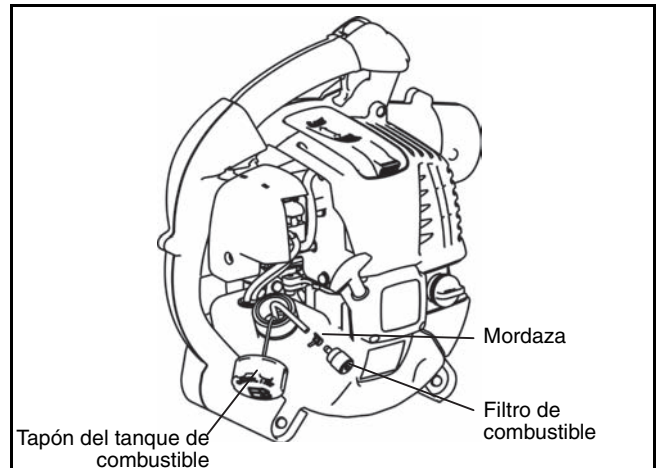
- (1) Abrir y cerrar la tapa de la bujía de alta tensión
 Cuando vaya a abrir la tapa, ponga los dedos en el mango principal y en la parte saliente de la tapa de la bujía (Figura 1). Estire la parte saliente hacia arriba, la cual se dejará deslizar hacia la dirección de "OPEN" (Figura 2). Para cerrarla, deje deslizarla hacia la dirección de "CLOSE" hasta que la uña colocada bajo de la parte saliente de la tapa de la bujía se ponga encima de la tapa del motor. Finalmente, presione hacia dentro la proyección.
- (2) Quitar la bujía de alta tensión
 Para quitar y montar la bujía de alta tensión utilice la llave de rosca adjunta (Figura 3).
- (3) Inspección de la bujía de alta tensión
 La distancia entre dos electrodos es 0,7 – 0,8 mm (Figura 4). En caso de que esta distancia sea demasiado grande o demasiado pequeña, ajuste para que tenga la distancia adecuada.
 En caso de que la bujía de alta tensión lleve el carbón acumulado o se encuentre sucia, debe limpiarse completamente o reemplazarse.
- (4) Reemplazar la bujía de alta tensión
 Para reemplazarla, utilice NGK-CMR6A.



4. Limpieza del filtro de combustible

- Cuando el filtro de combustible está atascado, el arranque podrá ser difícil o la velocidad del motor no podrá aumentarse.
- Compruebe el filtro de combustible según las siguientes instrucciones periódicamente.

- (1) Quite el tapón del tanque de combustible y saque el combustible para que quede sin combustible. En este momento, compruebe que no queda ningún material extraño en el tanque de combustible. Si queda, sáquelo completamente.
- (2) Saque el filtro de combustible de la boquilla de abastecimiento de aceite con el alambre o alguna cosa similar.
- (3) En caso de que la superficie del filtro de combustible esté sucia, quite la suciedad con gasolina. La gasolina utilizada para la limpieza deberá ser desechada de acuerdo con el método designado por cada municipio.
Si el filtro está muy contaminado deberá reemplazarse.
- (4) Vuelva el filtro de combustible en el tanque de combustible y apriete bien el tapón del tanque de combustible. Pida el reemplazo del filtro de combustible a un distribuidor o a un taller de mantenimiento.



5. Inspección de pernos, tuercas y tornillos

- Reapriete los pernos, tuercas, etc. que estén flojos.
- Compruebe si hay fugas de combustible o aceite.
- En aras de la seguridad de manejo, cambie las piezas dañadas por nuevas.

6. Limpieza de piezas

- Mantenga el motor limpio limpiándolo con un paño de limpieza.
- Mantenga las aletas del cilindro siempre limpias de polvo o suciedad. El polvo y la suciedad adherida a estas aletas causarán el agarrotamiento del motor.

7. Cambio de juntas y retenes

Reemplace las juntas y retenes si desensambla el motor.

Cualquier trabajo de mantenimiento o ajuste que no se incluya en este manual debe ser realizado solamente por un Agente de Servicio Autorizado.

ALMACENAMIENTO

⚠ ADVERTENCIA

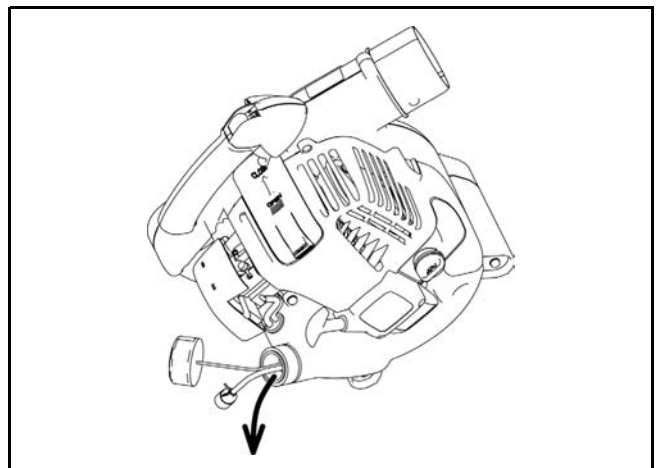
- Durante descarga del combustible, es necesario parar el motor y asegurarse de que el motor se haga frío completamente.
- En caso contrario podrán producirse quemaduras o un incendio.

⚠ PELIGRO

- Cuando almacene la máquina durante largo tiempo, drene todo el combustible del tanque de combustible y carburador, y manténgala en un sitio seco y limpio.

Descargar completamente el combustible del tanque de combustible y del carburador según el procedimiento siguiente :

- (1) Quitar la tapa del tanque de combustible, y descargar el combustible completamente.
Si haya algún material extraño en el tanque de combustible, quitarlo completamente.
- (2) Sacar el filtro del combustible desde el orificio de reabastecimiento usando el alambre.
- (3) Empujar la bomba de cedado hasta que el combustible sea descargado de allí, y descargar el combustible entrante en el tanque de combustible.
- (4) Ajustar el filtro en el tanque de combustible y apretar firmemente la tapa del tanque de combustible.
- (5) Entonces, continuar haciendo marchar el motor hasta que el motor se pare.
- (6) Quitar la bujía, y hacer caer de gotas de aceite para motor a través del agujero de la bujía.
- (7) Tirar tranquilamente el mango de arrancador de modo que el aceite del motor extienda en el motor, y colocar la bujía.
- (8) Mantenga la máquina con su mango hacia arriba.
- (9) Conservar el aceite descargado en el recipiente especial a la sombra bien ventilada.



Localización de averías

Avería	Sistema	Observaciones	Causas
El motor no arranca o lo hace con dificultades	Encendido	Hay chispa de encendido	Fallo en suministro de combustible o sistema de compresión Defecto mecánico
		No hay chispa	Interruptor de paro conectado, fallo del cableado o cortocircuito, bujía o conector defectuosos, fallo en el módulo de encendido
	Abastecimiento de combustible	Tanque lleno	Posición incorrecta del estrangulador, carburador defectuoso, línea de suministro de combustible doblada o interrumpida
	Compresión	No compresión cuando lo tire	Junta inferior del cigüeñal defectuosa, sellos del cárter dañados, segmentos del cilindro o pistón defectuosos o sellado incorrecto de la bujía.
Problemas de arranque en caliente	Fallo mecánico	El arrancador no funciona	El muelle del arrancador está roto. Partes rotas en el interior del motor
		Tanque lleno hay chispa de encendido	Carburador contaminado, hay que limpiarlo
El motor arranca y se para inmediatamente	Abastecimiento de combustible	Tanque lleno	Ajuste en vacío incorrecto o el carburador están contaminados La ventilación del tanque falla, la línea de suministro de combustible está interrumpida. El interruptor o el cable STOP fallan.
Rendimiento pobre	Varios Sistemas pueden verse afectados	Motor en vacío	Filtro de aire contaminado, carburador contaminado, silenciador obturado, conducto de salida en el cilindro obturado

Item	Tiempo de funcionamiento		Antes del manejo	Después del manejo	Diariamente (10 horas)	30 horas	50 horas	200 horas	Parada/reposo	Página correspondiente
Aceite del motor		Inspección/limpieza	○							43
		Cambie					○ ^{*1}			48
Piezas de apriete (pernos, tuercas)		Inspeccionar	○							50
Tanque de combustible		Limpieza/inspección	○							-
		Drenaje del combustible							○ ^{*3}	50
Palanca del acelerador		Comprobación del funcionamiento		○						-
Interruptor de paro		Comprobación del funcionamiento		○						46
Giro a baja velocidad		Inspección/ajuste			○					46
Depurador de aire		Límpielo			○					49
Bujía		Inspeccionar			○					49
Conducto de aire de refrigeración		Limpieza/inspección			○					50
Tubo de combustible		Inspeccionar			○					50
		Cambie						◎ ^{*2}		-
Filtro de combustible		Limpieza/cambio				○				50
Holgura entre la válvula de admisión de aire y la válvula de descarga de aire		Ajuste						◎ ^{*2}		-
Tubo de aceite		Inspeccionar						◎ ^{*2}		-
Reacondicionamiento del motor								◎ ^{*2}		-
Carburador		Drenaje del combustible							○ ^{*3}	50

*1 Haga el cambio inicial después de 20 horas de funcionamiento.

*2 Encargue la inspección de las 200 horas de funcionamiento a un Agente o Taller de Servicio Autorizado.

*3 Después de vaciar el tanque de combustible, deje el motor en funcionamiento y drene el combustible en el carburador.

INVESTIGACIÓN DE AVERÍAS

Antes de solicitar reparaciones; compruebe el problema usted mismo. Si se encuentra una anomalía, controle la máquina de acuerdo con la descripción de este manual. Nunca manipule ni desmonte piezas no relacionadas con la descripción. Para reparaciones, póngase en contacto con el Agente de Servicio Autorizado o concesionario local.

Estado de la anomalía	Causa probable (avería)	Remedio
El motor no arranca	No funciona la bomba de cedado	Empuje 7 a 10 veces.
	Tirador de arranque agarrotado o duro	Tire con fuerza.
	Falta combustible	Eche combustible.
	Filtro de combustible atascado	Límpielo
	Tubo de combustible roto	Cámbielo
	Combustible deteriorado	El combustible deteriorado dificulta el arranque. Cambie el combustible por nuevo (cambio recomendado: 1 mes).
	Excesivo consumo de combustible	Coloque la palanca del acelerador entre velocidad media y alta y tire del mango de arrancador de modo que el motor se ponga en marcha. Si el motor no arrancase, saque la bujía; seque el electrodo y vuelva a colocarla en su posición original. Vuelva a intentar arrancar.
	Caperuza de bujía suelta	Instale firmemente
	Bujía sucia	Límpielo
	Distancia anormal del electrodo de la bujía	Cámbiela o ajuste la bujía.
	Otras anomalías de la bujía	Cambie
	Carburador anormal	Solicite la inspección y mantenimiento
	No puede tirarse del tirador de arrancador	Solicite la inspección y mantenimiento
Sistema de transmisión anormal	Solicite la inspección y mantenimiento	
El motor se para pronto No aumenta la velocidad del motor	Calentamiento insuficiente	Efectúe el calentamiento
	La palanca de choque está en la posición CIERRE aunque el motor está caliente	Colóquela en ABRA
	Filtro de combustible atascado	Límpielo
	Depurador de aire sucio o atascado	Límpielo
	Carburador anormal	Solicite la inspección y mantenimiento.
	Sistema de transmisión anormal	Solicite la inspección y mantenimiento.
	Cable del acelerador suelto	Instale firmemente
El motor no se para ↓ Déjelo funcionando en ralentí y coloque la palanca de choque en CIERRE	Sistema de transmisión anormal	Solicite la inspección y mantenimiento.
	Conector suelto	Instale firmemente
	Sistema eléctrico anormal	Solicite la inspección y mantenimiento.

Cuando el motor no arranca después de la operación de calentamiento.

Si no se encuentran anomalías en los puntos comprobados, abra el acelerador 1/3 aproximadamente y arranque el motor.

EMISSION COMPLIANCE PERIOD

For handheld engines : The Emissions Compliance Period referred to on the Emissions Compliance label indicates the number of operating hours for which the engine has been shown to meet Federal emission requirements.

Category C=50 hours, B=125 hours, and A=300 hours.

Air Index and durability period information

The Air Index Information hang-tag for this engine is provided in accordance with the California emission regulations.

The graphical representation of the Air Index on the hang-tag shows the emissions performance of this engine, and can be used to compare the emissions performance with other available engines.

The lower the Air Index, the less pollution.

Note: Remove the hang-tag before operating the engine.

The Emissions Durability Period referred to on the hang-tag indicates the number of operating hours for which the engine has been shown to meet the California emission requirements.

Descriptive term	Applicable to Emissions Durability Period
Moderate	50hours (0-80 cc, inclusive)
Intermediate	125hours (0-80 cc, inclusive)
Extended	300hours (0-80 cc, inclusive)

FEDERAL EMISSION COMPONENT DEFECT WARRANTY

EMISSION COMPONENT DEFECT WARRANTY COVERAGE - This emission warranty is applicable in all States, except the State of California

DOLMAR GmbH North American Division, (herein “**Dolmar**”) warrant to the initial retail purchaser and each subsequent owner, that this utility equipment engine (herein “engine”) was designed, built, and equipped to conform at the time of initial sale to all applicable regulations of the U.S. Environmental Protection Agency (EPA), and that the engine is free of defects in materials and workmanship which would cause this engine to fall to conform with EPA regulations during its warranty period.

For the components listed under PARTS COVERED, the dealer or service center authorized by **Dolmar** will, at no cost to you, make the necessary diagnosis, repair, or replacement necessary to ensure that the engine complies with applicable U.S. EPA regulations.

EMISSION COMPONENT DEFECT WARRANTY PERIOD

The warranty period for this engine begins on the date of sale to the initial purchaser and continues for a period of 2 years.

PARTS COVERED

Listed below are the parts covered by the Emission Component Defect Warranty. Some of the parts listed below may require scheduled maintenance and are warranted up to the first scheduled replacement point for that part.

- | | |
|---------------------------------------|--|
| 1) Fuel Metering System | 3) Ignition System |
| (i) Carburetor and internal parts | (i) Spark plug |
| (ii) Fuel filter, if applicable | (ii) Flywheel Magneto |
| (iii) Throttle stopper, if applicable | (iii) Ignition Coil |
| (iv) Choke System, if applicable | |
| 2) Air Induction System | 4) Miscellaneous Items Used in Above Systems |
| (i) Air cleaner plate | (i) Fuel hoses, clamps and sealing gaskets |
| (ii) Air cleaner case | |
| (iii) Air cleaner element | |

OBTAINING WARRANTY SERVICE

To obtain warranty service, take your engine to the nearest **Service Center authorized by Dolmar**. Bring your sales receipts indicating date of purchase for this engine. The dealer or service center authorized by **Dolmar** will perform the necessary repairs or adjustments within a reasonable amount of time and furnish you with a copy of the repair order. All parts and accessories replaced under this warranty become the property of **Dolmar**.

WHAT IS NOT COVERED

- * Conditions resulting from tampering, misuse, improper adjustment (unless they were made by the dealer or service center authorized by **Dolmar** during a warranty repair), alteration, accident, failure to use the recommended fuel and oil, or not performing required maintenance services.
- * The replacement parts used for required maintenance services.
- * Consequential damages such as loss of time, inconvenience, loss of use of the engine of equipment, etc.
- * Diagnosis and inspection charges that do not result in warranty-eligible service being performed.
- * Any non-authorized replacement part, or malfunction of authorized parts due to use of non-authorized parts.

OWNER'S WARRANTY RESPONSIBILITIES

As the engine owner, you are responsible for the performance of the required maintenance listed in your owner's manual, **Dolmar** recommends that you retain all receipts covering maintenance on your engine, but **Dolmar** can not deny warranty solely for the lack of receipts or for your failure to ensure the performance of all scheduled maintenance.

As the engine owner, you should however be aware that the **Dolmar** may deny your warranty coverage if your engine or a part has failed due to abuse, neglect, improper maintenance or unapproved modifications.

You are responsible for presenting your engine to the nearest dealer or service center authorized by **Dolmar** when a problem exists.

If you have any questions regarding your warranty rights and responsibilities, you should contact the **Dolmar Warranty Service Department at 1-888-OPE-PART for the information.**

THINGS YOU SHOULD KNOW ABOUT THE EMISSION CONTROL SYSTEM WARRANTY

MAINTENANCE AND REPAIRS

You are responsible for the proper use and maintenance of the engine. You should keep all receipts and maintenance records covering the performance of regular maintenance in the event questions arise. These receipts and maintenance records should be transferred to each subsequent owner of the engine. **Dolmar** reserves the rights to deny warranty coverage if the engine has not been properly maintained. Warranty claims will not be denied, however, solely because of the lack of required maintenance or failure to keep maintenance records.

MAINTENANCE, REPLACEMENT OR REPAIR OF EMISSION CONTROL DEVICES AND SYSTEMS MAY BE PERFORMED BY ANY REPAIR ESTABLISHMENT OR INDIVIDUAL; HOWEVER, WARRANTY REPAIRS MUST BE PERFORMED BY A DEALER OR SERVICE CENTER AUTHORIZED BY **Dolmar**. THE USE OF PARTS THAT ARE NOT EQUIVALENT IN PERFORMANCE AND DURABILITY TO AUTHORIZED PARTS MAY IMPAIR THE EFFECTIVENESS OF THE EMISSION CONTROL SYSTEM AND MAY HAVE A BEARING ON THE OUTCOME OF A WARRANTY CLAIM.

If other than the parts authorized by **Dolmar** are used for maintenance replacements or for the repair of components affecting emission control, you should assure yourself that such parts are warranted by their manufacturer to be equivalent to the parts authorized by **Dolmar** in their performance and durability.

HOW TO MAKE A CLAIM

All repairs qualifying under this limited warranty must be performed by a **service dealer authorized by Dolmar**. In the event that any emission-related part is found to be defective during the warranty period, you shall notify **Dolmar Warranty Service Department at 1-888-OPE-PART**. **Dolmar and you will be advised of the appropriate warranty service dealer or service providers where the warranty repair can be performed.**

CALIFORNIA EMISSIONS CONTROL WARRANTY STATEMENT YOUR WARRANTY RIGHTS AND OBLIGATIONS

The California Air Resources Board and **DOLMAR GmbH North American Division. (Dolmar)** are pleased to explain the emissions control system's warranty on your 2007 and later small off-road engine. In California, new equipment that use small off-engines must be designed, built, and equipped to meet the State's stringent anti-smog standards. **Dolmar** must warrant the emissions control system on your small off-road engine for the period listed below provided there has been no abuse, neglect or improper maintenance of your equipment.

Your emissions control system may include parts such as: carburetors or fuel injection system, ignition system, catalytic converters, fuel tanks, valves, filters, clamps, connectors, and other associated components. Also, included may be hoses, belts, connectors, sensors, and other emission-related assemblies.

Where a warrantable condition exists, **Dolmar** will repair your small off-road engine at no cost to you including diagnosis, parts and labor.

MANUFACTURER'S WARRANTY COVERAGE:

This emissions control system is warranted for two years. If any emissions-related part on your equipment is defective, the part will be repaired or replaced by **Dolmar**.

OWNER'S WARRANTY RESPONSIBILITIES:

- As the small off-road engine owner, you are responsible for performance of the required maintenance listed in your owner's manual. **Dolmar** recommends that you retain all receipts covering maintenance on your small off-road engine, but **Dolmar** cannot deny warranty solely for the lack of receipts or your failure to ensure the performance of all scheduled maintenance.
- As the small off-road engine owner, you should however be aware that **Dolmar** may deny you warranty coverage if your small off-road engine or a part has failed due to abuse, neglect, or improper maintenance or unapproved modifications.
- You are responsible for presenting your small off-road engine to a **Dolmar Service Center** as soon as the problem exists. The warranty repairs should be completed in a reasonable amount of time, not to exceed 30 days. If you have a question regarding your warranty coverage, you should contact **Dolmar Warranty Service Department at 1-888-OPE-PART for the information.**

DEFECTS WARRANTY REQUIREMENTS:

- (a) The warranty period begins on the date the engine or equipment is delivered to an ultimate purchaser.
- (b) General Emissions Warranty Coverage. **Dolmar** must warrant to the ultimate purchaser and each subsequent owner that the engine or equipment is:
 - (1) Designed, built, and equipped so as to conform with all applicable regulations adopted by the Air Resources Board; and
 - (2) Free from defects in materials and workmanship that causes the failure of a warranted part for a period of two years.
- (c) The warranty on emissions-related parts will be interpreted as follows:
 - (1) Any warranted part that is not scheduled for replacement as required maintenance in the written instructions required by subsection (d) must be warranted for the warranty period defined in Subsection (b)(2). If any such part fails during the period of warranty coverage, it must be repaired or replaced by the manufacturer according to Subsection (4) below. Any such part repaired or replaced under the warranty must be warranted for the remaining warranty period.
 - (2) Any warranted part that is scheduled only for regular inspection in the written instructions required by subsection (d) must be warranted for the warranty period defined in Subsection (b)(2). A statement in such written instructions to the effect of "repair or replace as necessary" will not reduce the period of warranty coverage. Any such part repaired or replaced under warranty must be warranted for the remaining warranty period.

- (3) Any warranted part that is scheduled for replacement as required maintenance in the written instructions required by subsection (d) must be warranted for the period of time prior to the first scheduled replacement point for that part. If the part fails prior to the first scheduled replacement, the part must be repaired or replaced by the engine manufacturer according to Subsection (4) below. Any such part repaired or replaced under warranty must be warranted for the remainder of the period prior to the first scheduled replacement point for the part.
 - (4) Repair or replacement of any warranted part under the warranty must be performed at no charge to the owner at a warranty station.
 - (5) Notwithstanding the provisions of Subsection (4) above, warranty services or repairs must be provided at all manufacturer distribution centers that are franchised to service the subject engines.
 - (6) The owner must not be charged for diagnostic labor that leads to the determination that a warranted part is in fact defective, provided that such diagnostic work is performed at a warranty station.
 - (7) The manufacturer is liable for damages to other engine components proximately caused by a failure under warranty of any warranted part.
 - (8) Throughout the emissions warranty period defined in Subsection (b)(2), the manufacturer must maintain a supply of warranted parts sufficient to meet the expected demand for such parts.
 - (9) Any replacement part may be used in the performance of any warranty maintenance or repairs and must be provided without charge to the owner. Such use will not reduce the warranty obligations of the manufacturer.
 - (10) Add-on or modified parts that are not exempted by the Air Resources Board may not be used. The use of any non-exempted add-on or modified parts will be grounds for disallowing a warranty claim. The manufacturer will not be liable to warrant failures of warranted parts caused by the use of a non-exempted add-on or modified part.
 - (11) The manufacturer issuing the warranty shall provide any documents that describe that manufacturer's warranty procedures or policies within five working days of request by the Air Resources Board.
- (d) Emission Warranty Parts List.
- (1) Fuel Metering System
 - (i) Carburetor and internal parts
 - (ii) Fuel Filter
 - (iii) Fuel Tank.
 - (2) Air Induction System
 - (i) Air cleaner plate (including choke system)
 - (ii) Air cleaner cover
 - (iii) Air cleaner element
 - (3) Ignition System
 - (i) Spark Plugs.
 - (ii) Magneto or electronic ignition system.
 - (iii) Spark advance/retard system.
 - (4) Miscellaneous Items Used in Above Systems
 - (i) Hoses, Sealing gaskets, belts, connectors, and assemblies.

Dolmar will furnish with each new engine written instructions for the maintenance and use of the engine by the owner.

(e) MAINTENANCE STATEMENTS

It is your responsibility to have all scheduled inspection and maintenance services performed at the times recommended in the 2007 and later Owner’s Manual and to retain proof that inspection and maintenance services are performed at the times when recommended. **Dolmar** will not deny a warranty claim solely because you have no record of maintenance; however, **Dolmar** may deny a warranty claim if your failure to perform required maintenance resulted in the failure of warranted part. The proof, which you maintain, should be given to each subsequent owner of the engine. You are responsible for performing the scheduled maintenance described below based on the procedures specified in the 2007 and later Owner’s Manual. The scheduled maintenance below is based on the normal engine-operating schedule.

PROCEDURE	INTERVAL
1) Clean engine and check bolts and nuts. Retighten if necessary.	:Every 8 hours (daily)
2) Check and refill engine oil (4stroke engine only)	:Every 8 hours (refill daily up to upper limit)
3) Change engine oil (4stroke engine only)	:Initial 20 hours and every 50 hours afterward
4) Check clogging of cooling air passage and cylinder fins. Remove and clean if necessary.	:Every 8 hours (daily)
5) Clean air cleaner.	:Every 8 hours (daily)
6) Check spark plug. Clean and adjust if necessary.	:Every 8 hours (daily)
7) Check muffler exhaust outlet (or port). Clean if necessary.	:Every 50 hours (monthly)
8) Check fuel filter. If clogged, replace with new one.	:Every 50 hours (monthly)
9) Adjust valve clearance, if applicable (4stroke engine only).	:Every 200 hours (yearly)
10) Replace fuel lines.	:Every 200 hours (yearly)
11) Clean and inspect the complete engine. Replace any damaged or worn out parts.	:Every 200 hours
12) Replace packings and gaskets with new ones.	:Every reassembling



DOLMAR POWER PRODUCTS
PO Box 5007
Alpharetta
GA 30005-5007

884857B916

IDE