



### INSTRUCTION MANUAL

#### Air Supply Requirements

1. Supply tool with 90 psig (6.2 bar) of clean, dry air. Higher pressure drastically reduces tool life.
2. Connect tool to air line using pipe, hose, and fitting sizes shown in the diagram on page 12.

#### Lubrication

1. Use an air line lubricator with SAE #10 oil, adjusted to two (2) drops per minute. If an air line lubricator cannot be used, add air motor oil to the inlet once a day.
2. Check clutch oil once each month. Use 1/4 oz. (7 ml) of SAE #30 oil or equivalent.

#### Operation

This impact wrench is equipped with a regulator to enable adjustment of output power. Turn the regulator knob counter-clockwise for maximum power, clockwise to reduce power.

#### Noise & Vibration Declaration\*

Sound pressure level 87.6 dB(A) in accordance with PN8NTC1.2. For sound power, add 10 dB(A).

Vibration value <2.5 m/s<sup>2</sup>, re. ISO 8662-7.

#### Maintenance

1. Disassemble and inspect air motor and impacting clutch every three (3) months if the tool is used every day. Replace damaged or worn parts.
2. High wear parts are underlined in the parts list.
3. To keep downtime to a minimum, the following service kits, detailed on page 12, are recommended: CA157285 Tune-Up Kit  
CA157286 Repair Kit

\*These declared values were obtained by laboratory type testing in compliance with the stated standards and are not adequate for use in risk assessments. Values measured in individual work places may be higher than the declared values. The actual exposure values and risk of harm experienced by an individual user are unique and depend upon the way the user works, the workpiece and the workstation design, as well as upon the exposure time and the physical condition of the user. We, Chicago Pneumatic, cannot be held liable for the consequences of using the declared values, instead of values reflecting the actual exposure, in an individual risk assessment in a work place situation over which we have no control.

### EC DECLARATION OF CONFORMITY

We, Chicago Pneumatic Tool Company, 1800 Overview Drive, Rock Hill, SC 29730 USA, declare under our sole responsibility that the product to which this declaration relates, is in conformity with the requirements of the Council Directive of June 1998 on the approximation of the laws of the Member States relating to machinery (98/37/EC).

**Machine Name** CP719 Series Impact Wrench

**Machine Type** Power Tool for the assembly and disassembly of threaded fasteners - No other use is permitted.

**Serial No.** Tools with No. 99196A or higher

#### Technical Data

Output Torque 30 ft.-lb. (41 Nm)

Working Torque 6-26 ft.-lb. (8-35 Nm)

Free Speed 7000 RPM

Air Consumption (@ free speed) 12.2 cfm (5.8 l/s)

Air Pressure 90 psig (6.2 bar)

Drives 1/4" square (CP719), 1/4" hex (CP719 QC)

**Harmonized Standards Applied** EN292

**National Standards Applied** ISO 8662-7, Pneurop PN8NTC1.2

**Name And Position Of Issuer** W.A. LeNeveu, President, Chicago Pneumatic Tool Company

**Signature Of Issuer**

**Place And Date Of Issue** Rock Hill, SC 29730 USA, July 1, 1999

### MANUFACTURER'S LIMITED WARRANTY

Limited Warranty: The "Products" of the Chicago Pneumatic Tool Company ("CP") are warranted to be free from defects in material and workmanship for one year from the date of purchase. This Warranty applies only to Products purchased new from CP or its authorized dealers. Of course, this Warranty does not apply to products which have been abused, misused, modified, or repaired by someone other than CP or its Authorized Service Representatives. If a CP Product proves defective in material or workmanship within one year after purchase, return it to any CP Factory Service Center or Authorized Service Center for CP tools, transportation prepaid, enclosing your name and address, adequate proof of date of purchase, and a short description of the defect. CP will, at its option, repair or replace defective Products free of charge. Repairs or replacements are warranted as described above for the remainder of the original warranty period. CP's sole liability and your exclusive remedy under this Warranty is limited to repair or replacement of the defective Product. **(There Are No Other Warranties Expressed Or Implied And CP Shall Not Be Liable For Incidental, Consequential, Or Special Damages, Or Any Other Damages, Costs Or Expenses Excepting Only The Cost Or Expense Of Repair Or Replacement As Described Above.)**

## WARNING

**To reduce risk of injury, everyone using, installing, repairing, maintaining, changing accessories on, or working near this tool must read and understand these instructions before performing any such task.**

The goal of Chicago Pneumatic is to produce tools that help you work safely and efficiently. The most important safety device for this or any tool is YOU. Your care and good judgment are the best protection against injury. All possible hazards cannot be covered here, but we have tried to highlight some of the important ones.

#### For Additional Safety Information Consult:

- ▲ Your employer union and/or trade association.
- ▲ US Department of Labor (OSHA); [www.osha.gov](http://www.osha.gov); Council of the European Communities [europe.osha.eu.int](http://europe.osha.eu.int).
- ▲ "Safety Code For Portable Air Tools" (B186.1) available from: [www.ansi.com](http://www.ansi.com)
- ▲ "Safety Requirement For Hand-Held Non-Electric Power Tools" available from: European Committee for Standardization, [www.cenorm.be](http://www.cenorm.be)

#### Air Supply And Connection Hazards

- ▲ Air under pressure can cause severe injury.
- ▲ Always shut off air supply, drain hose of air pressure and disconnect tool from air supply when not in use, before changing accessories or when making repairs.
- ▲ Never direct air at yourself or anyone else.
- ▲ Whipping hoses can cause serious injury. Always check for damaged or loose hoses and fittings.
- ▲ Do not use quick disconnect couplings at tool. See instructions for correct set-up.
- ▲ Whenever universal twist couplings are used, lock pins must be installed.
- ▲ Do not exceed maximum air pressure of 90 psi (6.2 bar) or as stated on tool nameplate.

#### Entanglement Hazards

- ▲ Keep away from rotating drive.
- ▲ Do not wear jewelry or loose clothing.
- ▲ Choking can occur if neckwear is not kept away from tool and accessories.
- ▲ Scalping can occur if hair is not kept away from tool and accessories.
- ▲ Avoid direct contact with accessories during and after use. Gloves will reduce the risk of cuts or burns.
- ▲ Use only proper accessory retainers (see parts list). Use deep sockets wherever possible.

#### Projectile Hazards

- ▲ Always wear impact-resistant eye and face protection when involved with or near the operation, repair or maintenance of the tool or changing accessories on the tool.
- ▲ Be sure all others in the area are wearing impact-resistant eye and face protection.
- ▲ Even small projectiles can injure eyes and cause blindness.
- ▲ Do not use hand sockets. Use only impact wrench sockets in good condition.
- ▲ Sockets in poor condition or hand sockets used with impact wrenches can shatter.
- ▲ Always use the simplest hook-up possible. Long, springy extension bars and

## SAFETY INSTRUCTIONS

adapters absorb impact power and could break. Use deep sockets wherever possible.

- ▲ Never operate the tool off of the work. It may run too fast and cause the accessory to be thrown off the tool.
- ▲ Serious injury can result from over-torqued or under-torqued fasteners, which can break, or loosen and separate. Released assemblies can become projectiles. Assemblies requiring a specific torque must be checked using a torque meter.

Note: So-called "click" torque wrenches do not check for potentially dangerous over-torque conditions.

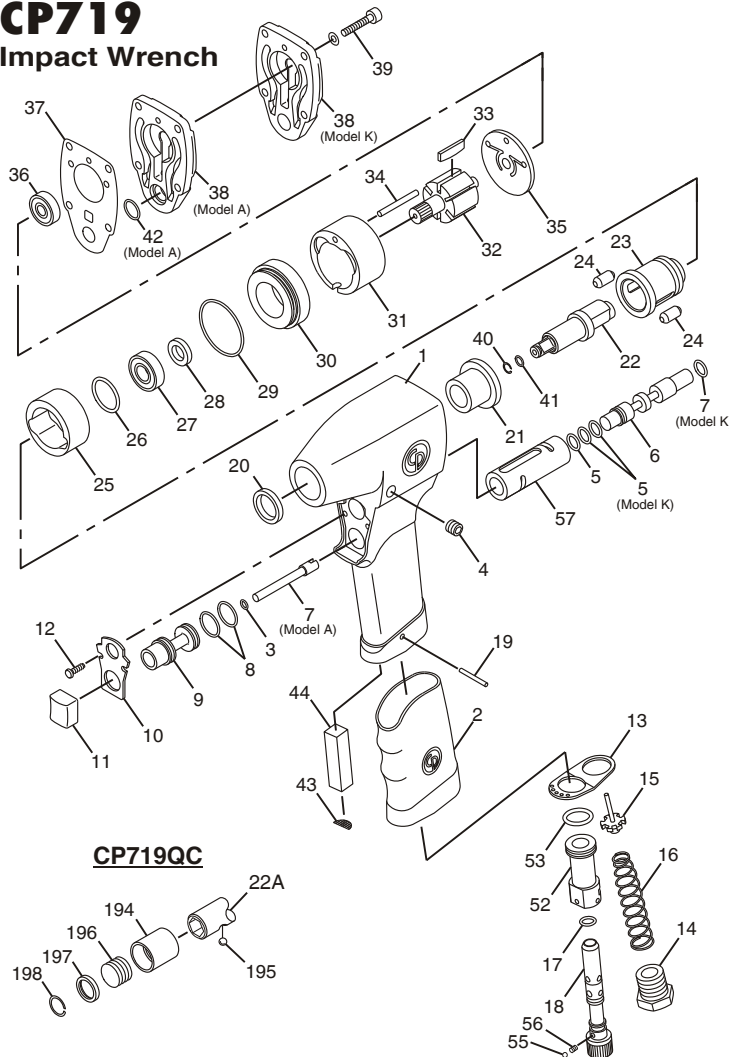
#### Workplace Hazards

- ▲ Slip/Trip/Fall is a major cause of serious injury or death. Beware of excess hose left on the walking or work surface.
  - ▲ High sound levels can cause permanent hearing loss. Use hearing protection as recommended by your employer or OSHA regulation (see 29 CFR part 1910).
  - ▲ Maintain a balanced body position and secure footing.
  - ▲ Be in control of the throttle at all times. Do not get caught between the tool and the work.
  - ▲ Repetitive work motions, awkward positions and exposure to vibration can be harmful to hands and arms. If numbness, tingling, pain or whitening of the skin occurs, stop using the tool and consult a physician.
  - ▲ Avoid inhaling dust or handling debris from the work process which can be harmful to your health. Use dust extraction and wear respiratory protective equipment when working with materials which produce airborne particles.
  - ▲ Proceed with care in unfamiliar surroundings. Be aware of potential hazards created by your work activity. This tool is not insulated for coming into contact with electric power sources.
  - ▲ Some dust created by power sanding, sawing, grinding, drilling and other construction activities contains chemicals known to the State of California to cause cancer and birth defects or other reproductive harm. Some examples of these chemicals are:
    - Lead from lead based paints
    - Crystalline silica bricks and cement and other masonry products
    - And Arsenic and chromium from chemically-treated rubber
- Your risk from these exposures varies, depending on how often you do this type of work. To reduce your exposure to these chemicals: work in a well ventilated area, and work with approved safety equipment, such as dust masks that are specially designed to filter out microscopic particles.

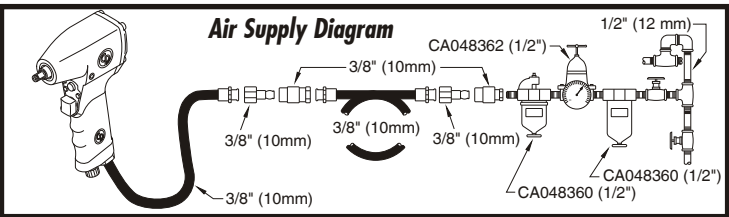
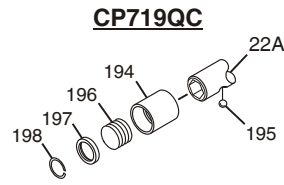
#### Additional Safety Topics

- ▲ This tool and its accessories must not be modified.
- ▲ This tool is not recommended for use in explosive atmospheres.
- ▲ Operators and maintenance personnel must be physically able to handle the bulk, weight and power of the tool.
- ▲ For tools using the pin and O-ring socket retention system, use the O-ring to securely retain the socket pin.

# CP719 Impact Wrench



Index No.	Part No.	Description	No. Req'd.
1	CA157227	Assembly-Motor Housing (Model A)	1
2	CA157693	Assembly-Motor Housing (Model K)	1
3	CA157228	Grip-Cushion	1
4	CA157229	O-Ring (Model A)	1
5	CA157694	E-Ring (Model K)	1
6	CA157230	Plug	1
7	CA157231	O-Ring (Model A)	2
8	CA157695	O-Ring (Model K)	1
9	CA157232	Valve-Reverse (Model A)	1
10	CA157696	Valve-Reverse (Model K)	1
11	CA157233	Stem-Trigger (Model A)	1
12	CA157697	O-Ring (Model K)	1
13	CA157234	O-Ring	2
14	CA157235	Bushing-Trigger (Model A)	1
15	CA157698	Bushing-Trigger (Model K)	1
16	CA157236	Retainer	1
17	CA157237	Trigger (Model A)	1
18	CA157699	Pin-Trigger (Model K)	1
19	CA157238	Screw	2
20	CA157239	Retainer	1
21	CA157240	Adapter-Inlet	1
22	CA157241	Valve-Tilt	1
23	CA157242	Spring-Throttle	1
24	CA157243	O-Ring	1
25	CA157244	Regulator-Assembly (Incl. Index Nos. 55 & 56)	1
26	CA157245	Pin	1
27	CA157246	Seal-Oil	1
28	CA157247	Bushing-Anvil	1
29	CA157248	Anvil Assembly (1/4 in. sq.) (Incl. Index Nos. 40 & 41) (CP719 only)	1
30	CA157287	Anvil-1/4 Hex (CP719QC)	1
31	CA157249	Cage	1
32	CA157250	Pin-Cage	2
33	CA157251	Hammer	1
34	CA146691	O-Ring	1
35	CA157253	Bearing	1
36	CA157254	Seal-Oil	1
37	CA157255	O-Ring	1
38	CA157256	Plate-Front End	1
39	CA157257	Liner	1
40	CA157258	Rotor	1
41	CA157284	Blade Set-Rotor (6)	1
42	CA157260	Pin	1
43	CA157261	Plate-Rear End	1
44	CA157262	Bearing	1
45	CA157263	Gasket (Model A)	1
46	CA157700	Gasket (Model K)	1
47	CA157264	Cover-Motor Housing (Model A)	1
48	CA157701	Cover-Motor Housing (Model K)	1
49	CA157265	Screw with Lockwasher	4
50	CA157266	Ring-Socket Retaining (CP719 only)	1
51	CA157267	O-Ring (Anvil)	1
52	CA146654	O-Ring (Not used on Model K)	1
53	CA157269	Strainer-Air	1
54	CA157270	Muffler	1
55	CA157271	Bushing-Regulator	1
56	CA157272	O-Ring	1
57	CA157273	O-Ring (Not Shown)	1
58	CA157274	Bushing-Tilt Valve	1
59	CA157275	Ball-Steel	1
60	CA157276	Spring-Detent	1
61	CA157277	Bushing-Reverse Valve (Model A)	1
62	CA157702	Bushing-Reverse Valve (Model K)	1
63	C07720	Sleeve (CP719QC)	1
64	194	Ball (CP719QC)	1
65	195	Spring (CP719QC)	1
66	196	Washer (CP719QC)	1
67	197	Washer (CP719QC)	1
68	198	Ring-Retaining (CP719QC)	1



**\*Model A parts not interchangeable with Model K**

**Tune-Up Kit**  
CA157285 (Incl: Index Nos. 3, 5, 7 (Model K), 8, 17, 20, 26, 28, 29, 33, 37, 40, 41, 42, 53, & 54)

**Repair Kit**  
CA157286 (CP719 1/4" Sq. Dr.) (Incl: All Parts in Tune-Up Kit Plus Index Nos. 22 & 24) (excl. 40 & 41)

**FOR DETAILED INFORMATION ABOUT CHICAGO PNEUMATIC AIR TOOLS AND EQUIPMENT CONTACT:**

**HEADQUARTERS LOCATION  
UNITED STATES**

**Chicago Pneumatic Tool Company**  
Automotive Division  
1800 Overview Drive  
Rock Hill, SC 29730  
Telephone: 1-803-817-7000  
1-800-367-2442 (USA only)  
Fax: 1-800-228-9096

**AUSTRALIA**

Atlas Copco Tools Australia  
3 Bessemer Street  
Blacktown • Australia  
Telephone: 02-621-9482  
Fax: 02-671-5915

**BELGIQUE**

Chicago Pneumatic Rep. Office  
Avenue Sluysmans 10-4030  
Liege • Belgium  
Tel/Fax: 04-343 8150

**BRASIL**

Chicago Pneumatic Brasil  
Av. Mascote 159 V. Sta. Catarina  
04363-000  
Sao Paulo/SP • Brasil  
Telephone: (011) 562-7314  
Fax: (011) 563-9208

**CANADA**

Chicago Pneumatic Tool Co.  
Automotive Division  
1800 Overview Drive  
Rock Hill, SC 29730  
Telephone: 1-803-817-7000  
Fax: 1-800-228-9096

**CENTRAL AMERICA**

Contact Chicago Pneumatic/USA  
for names of CP Authorized  
Distributors in this area

**GERMANY**

Desoutter GmbH  
Paul-Friedlander-Str  
65203 Wiesbaden • Germany  
Telephone: 49-0611-270120/22  
FAX: 49-0611-270140

**INDIA**

Consolidated Pneumatic Tool  
Company (India) Ltd.  
301/302, L.B. Shastri Marg  
P.O. Box 7761  
Mulund, Bombay 400 080 • India  
Phone: 91-22-564-0011  
Fax: 91-22-564-7687  
Telex: 1171990 CPT I N

**ITALY**

Desoutter Italiana S.R.L.  
Viale Della Repubblica, 65  
20035 Lisson (Milano)

**MEXICO**

Chicago Pneumatic Tool  
Company Mexico  
San Francisco #223  
Valle Dorado, Tlalnepantla  
C.P. 54020 • Mexico  
Telephone: 525-378-0754  
FAX: 525-378-0753

**SOUTH AFRICA**

Chicago Pneumatic Tool  
Company, S.A.  
20 Anvil Road  
PO Box 105  
Isando 1600, Transvaal  
South Africa  
Phone: 011-9746761  
Fax: 011-974-2324

**SOUTH AMERICA**

Contact Chicago Pneumatic/USA  
for names of CP Authorized  
Distributors in this area

**SOUTHEAST ASIA**

Chicago Pneumatic Tool  
Company Regional Office  
P.O. Box 1516  
Unit 2103 - Citimark  
28 Yuen Shun Circuit  
Shatin  
New Territories, Hong Kong  
Telephone: (852) 3570963  
FAX: 852-763-1875

**SWEDEN**

Chicago Pneumatic  
Distributor Markets  
Sickla Industriväg 7  
S-131 34 Nacka • Sweden  
Telephone: 46 8743 9329  
Fax: 46-8743 9427

**UNITED KINGDOM**

Chicago Pneumatic  
Tool Company, Ltd.  
P.O. Box 241  
Eaton Road  
Hemel Hempstead, Herts HP2 7DR  
England  
Domestic: 01442-847703/06  
Export: 01442-232420/17  
FAX: 01442-2847723

Visit our website:  
<http://www.chicagopneumatic.com>