

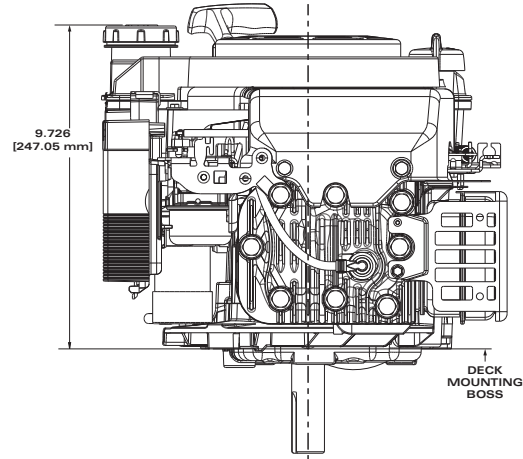
6.75 GROSS TORQUE*

190 CC

Bore 2.69 in. (68.30 mm)

Stroke 2.04 in. (51.80 mm)

Oil Capacity 18-20 fl. oz. (0.53-0.59 L)



FEATURES:

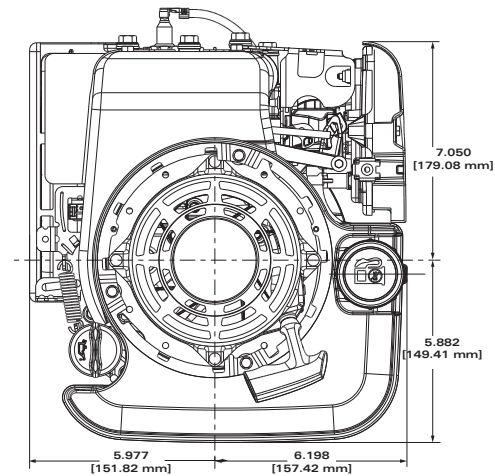
Super Lo-Tone™ muffler for quieter operation

Meets U.S. EPA Phase 3 emissions standards that are 35% stricter than the previous standards without the use of a catalyst

Optional ReadyStart® starting system with no prime, no choke, no worries, just pull for power

Mechanical Governor

Buyer protection package provides two-year limited consumer engine warranty**



MTT	Crankshaft #	P.T.O. Diameter	Drilled & Tapped	Keyway	Length	Starter Position	Ext. Starter Rope	Heavy Flywheel	Controls	5 Position Choke	Primer Carburetor	ReadyStart®	Oil Pump w/Filter	Fuel Tank (Quarts)	Top Governor Speed	CPSC Blade Break	Notes
126M02																	
0135-F1	591159	7/8 in.	3/8-24	1#607 WK	1-5/8	6:00	X	X	R			X	1	3200			13
1002-F1	694850	7/8 in.	3/8-24	2 #505 WK, 3/16-Str.	3-5/32	6:00		X	MF	X			1	3100			
1005-F1	797372	7/8 in.	3/8-24	1 #505 WK, 3/16-Str.	1-13/16	6:00	X	X	MF	X			1	3700			
1010-F1	691452	7/8 in.	3/8-24	2 #505 WK, 3/16-Str.	3-5/32	6:00	X	X	R		X		1	3600			
1011-F1	691452	7/8 in.	3/8-24	2 #505 WK, 3/16-Str.	3-5/32	6:00	X		MF/R		X		1	3600		X	
1014-F1	797372	7/8 in.	3/8-24	1 #505 WK, 3/16-Str.	1-13/16	6:00	X	X	R/MF			X	1	3700			
1015-F1	691452	7/8 in.	3/8-24	2 #505 WK, 3/16-Str.	3-5/32	6:00	X		R/MF		X		1	3100		X	
1018-F1	797681	7/8 in.	3/8-24	1 #505 WK, 3/16-Str.	1-13/16	6:00	X		R/MF		X		1	3100		X	
1025-F1	797017	25 mm	3/8-24	2#605 WK, 1/4-Str.	3-5/32	6:00	X		R/MF		X		1	3100		X	
1030-F1	791061	7/8 in.	7/16-20	1 #605 WK	1-15/32	6:00	X	X	FC			X	1	3100			13
1031-F1	590807	25 mm	7/16-20	3/16-Str.	3-5/32	6:00			R/MF		X		1	3100		X	
1615-F1	797018	7/8 in.	3/8-24	2 #505 WK, 3/16-Str.	3-5/32	5:00	X		MF			X	1	3100		X	
1625-F1	797017	25 mm	3/8-24	2#605 WK, 1/4-Str.	3-5/32	5:00	X		MF		X		1	3100		X	
1701-F1	694079	25 mm	7/16-20	Tapered	3-5/16	6:00			MF		X		1	3100		X	

*All power levels are stated gross torque at 2600 RPM per SAE J1940 as rated by Briggs & Stratton.

(13) BBC Crankshaft

Engines in bold type have promotional pricing