

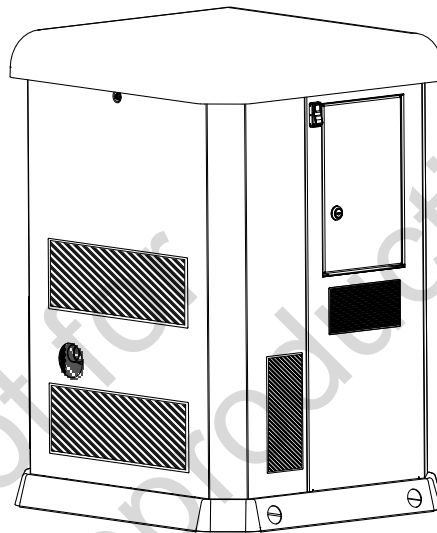
BRIGGS & STRATTON®

Standby Generator 13kW

en Installation and Operation Manual

fr Manuel d'installation et d'utilisation

es Manual de instalación y operación



en This generator is rated in accordance with UL (Underwriters Laboratories) 2200 (stationary engine generator assemblies) and CSA (Canadian Standards Association) standard C22.2 N. 100-14 (motors and generators).

es Este grupo electrógeno está clasificado conforme a la norma UL (Underwriters Laboratories) 2200 (conjuntos de grupos electrógenos con motores fijos) y a la norma CSA (Canadian Standards Association) C22.2 N. 100-14 (motores y grupos electrógenos).

fr Ce groupe électrogène est certifié UL (Underwriters Laboratories) 2200 (groupes électrogènes à moteur fixe) et conforme à la norme CSA (Canadian Standards Association) C22.2 N. 100-14 (moteurs et groupes électrogènes).









Table of Contents:

Important Safety Instructions	3	Fuel System Maintenance.....	31
Safety Symbols and Meanings	3	Mixer and Throttle Control Device.....	31
Safety Alert Symbol and Signal Words	3	Alarms (Service Code Detection System).....	31
Safety Messages	3	Acknowledge and Reset the Alarms.....	31
FCC Statement Part 15 to User	4	Electrical System Maintenance.....	31
General Information	4	Troubleshooting	34
Thank You.....	4	Troubleshooting Table.....	34
Where to Find Us.....	4	Wiring Diagram and Schematic	36
For Future Reference.....	4	Concrete Pad Specifications	37
Equipment Description.....	5	Specifications	38
Product Use.....	5	Generator Specifications 13kW.....	38
Installer Responsibilities.....	5	Engine Specifications 13kW.....	38
Owner Responsibilities.....	5		
Installation Factors to Consider.....	5		
Delivery Inspection.....	5		
Shipment Contents.....	5		
Installation	6		
Generator Placement.....	6		
Cold Weather Kits.....	11		
Lift the Generator.....	11		
Anchor the Generator and Wind Ratings.....	11		
Electrical and Fuel Inlet Locations.....	11		
Access Panels: Installation and Removal.....	12		
Fuel Installation Plan.....	14		
Electrical Field Connections.....	17		
Engine Oil.....	21		
Battery.....	21		
System Controller.....	22		
Initial Start-Up (No Load).....	23		
Operation	24		
Features and Controls.....	24		
Important Owner's Considerations.....	25		
Automatic Operation Sequence.....	25		
Set the Exercise Timer.....	25		
Maintenance	26		
Servicing the System – Before and After.....	26		
Maintenance Schedule.....	27		
Generator Maintenance.....	27		
Clean the Generator.....	27		
Engine Maintenance.....	27		
Change the Oil and the Oil Filter.....	28		
Adjust Valve Clearance.....	28		
Electronic Governor System.....	29		
Electronic Governor Check.....	29		
Service the Spark Plugs.....	29		
Engine Air Cleaner.....	30		
Exhaust System Maintenance.....	30		

Important Safety Instructions


SAVE THESE INSTRUCTIONS - This manual contains important instructions that must be read, understood, and obeyed during installation of generator kits and/or accessories.

Safety Symbols and Meanings

Symbol	Meaning
	Safety alert symbol shows a possible personal injury hazard.
	Read Manual. Failure to obey warnings, instructions, installation manual, and Operator's Manual could result in death or serious injury.
	Explosion
	Electric Shock
	Auto-start
	Fire
	Chemical Burn
	Toxic Fume
	Eye Protection
	Hot Surface
	Rotating Parts

Safety Alert Symbol and Signal Words



The safety alert symbol  identifies safety information about hazards that could result in personal injury. A signal word (**DANGER**, **WARNING**, or **CAUTION**) is used to indicate the likelihood and the potential severity of injury. In addition, a hazard symbol is used to represent the type of hazard.

DANGER indicates a hazard which, if not avoided, **will** result in death or serious injury.

WARNING indicates a hazard which, if not avoided, **could** result in death or serious injury.

CAUTION indicates a hazard which, if not avoided, **could** result in minor or moderate injury.

NOTICE indicates information considered important but not hazard-related.

Safety Messages

WARNING 

This product can expose you to chemicals including used engine oil, which is known to the State of California to cause cancer, and carbon monoxide, which is known to the State of California to cause birth defects or other reproductive harm. For more information go to www.P65Warnings.ca.gov.

WARNING 

This product contains lead and lead compounds, known to the state of California to cause birth defects or other reproductive harm. Wash your hands after handling this product. Cancer and Reproductive Harm - www.P65Warnings.ca.gov.

NOTICE: Improper treatment of generator could damage it and shorten its life.

- Use generator only for intended uses. See *Product Use* section of this manual.
- If you have questions about the intended use, contact your authorized dealer.
- Operate the generator only on level surfaces.
- Adequate, unobstructed flow of cooling and ventilating air is critical for correct generator operation.
- The access panels/doors must be installed whenever the unit is running.
- DO NOT expose the generator to excessive moisture, dust, dirt, or corrosive vapor.
- Remain alert at all times while working on this equipment. Never work on the equipment when you are physically or mentally fatigued.
- DO NOT insert any objects through the cooling slots.
- DO NOT use the generator or any of its parts as a step. Stepping on the unit could cause stress and break parts. This may result in dangerous operating conditions from leaking exhaust gases, fuel leakage, oil leakage, etc.
- Shut off generator if:
 - electrical output is lost.
 - equipment sparks, smokes, or emits flames.
 - unit vibrates excessively or makes unusual noises.

FCC Statement Part 15 to User

Pursuant to part 15.21 of the FCC Rules, you are cautioned that changes or modifications to the product not expressly approved by Briggs & Stratton could void your authority to operate the product.

This device complies with part 15 of the FCC Rules.

Operation is subject to the following two conditions: (1) This device may not cause harmful interference, and (2) this device must accept any interference received, including interference that may cause undesired operation.

This equipment has been tested and found to comply with the limits for a Class B digital device, pursuant to part 15 of the FCC Rules. These limits are designed to provide reasonable protection against harmful interference in a residential installation. This equipment generates, uses and can radiate radio frequency energy and, if not installed and used in accordance with the instructions, may cause harmful interference to radio communications. However, there is no guarantee that interference will not occur in a particular installation. If this equipment does cause harmful interference to radio or television reception, which can be determined by turning the equipment off and on, the user is encouraged to try to correct the interference by one or more of the following measures:

- Reorient or relocate the receiving antenna.
- Increase the separation between the equipment and receiver.
- Connect the equipment into an outlet on a circuit different from that to which the receiver is connected.

- Consult the dealer or an experienced radio/TV technician for help.

General Information

For most applications, the *Installation and Operation Manual* contains the information necessary to correctly install, operate, and maintain the generator. Briggs & Stratton has made every effort to make sure that the information in this manual is accurate and current. Briggs & Stratton reserves the right to change, alter, or otherwise improve the product and this document at any time without prior notice.

Thank You

Thank you for purchasing this quality-built Briggs & Stratton® generator. We are pleased that you have placed your confidence in the Briggs & Stratton brand. When operated and maintained according to the instructions in this manual, your generator can provide many years of dependable service. This manual contains safety information to make you aware of the hazards and risks associated with standby generators and how to avoid them.

SAVE THESE INSTRUCTIONS. This manual contains important instructions that users must obey during installation, operation, and maintenance of the generator and battery.

Where to Find Us

You do not have to look far to find support and service for your equipment. There are many authorized service dealers worldwide that supply quality service. You can also contact Customer Service by phone at **800-732-2989** between 8:00 AM and 5:00 PM central time or click on "Dealer Locator" at www.briggsandstratton.com, which will supply a list of authorized dealers.

For Future Reference

Fill out the information that follows and keep it with your receipt. Have this information at hand if you need to contact your installer or authorized dealer regarding service or repair of the unit.

Date of Purchase: _____

Dealer/Retailer: _____

Dealer's/Retailer's Phone Number: _____

GENERATOR:

Model Number: _____

Model Revision: _____

Serial Number: _____

ENGINE:

Model Number: _____

Serial Number: _____

Equipment Description

NOTICE: This product does NOT qualify for either an emergency standby or legally required standby system as defined by NFPA 70 (NEC).

- Emergency generator systems are intended to automatically supply illumination, power, or both, to designated areas and equipment in the event of failure of the normal supply. Emergency systems can also supply power for such functions as ventilation where essential to maintain life, where current interruption of the normal supply would produce serious life safety or health hazards.
- Legally required standby generator systems are intended to automatically supply power to selected loads in the event of failure of the normal source (which can create hazards or prevent rescue or fire-fighting operations).

Product Use

This product is only for use as an optional generator system. It provides an alternate source of electric power and serves loads such as heating, refrigeration systems, and communication systems that, when stopped during a power outage, can cause discomfort or inconvenience.

Every effort has been made to make sure that the information in this manual is accurate and current. However, we reserve the right to change, alter, or otherwise improve the product and this document at any time without prior notice.

Only current licensed electrical and plumbing professionals can attempt generator system installations. Installations must obey all applicable codes, industry standards, laws and regulations.

Installer Responsibilities

- Read and obey the safety, installation and operation instructions in this *Installation and Operation Manual*.
- Install only a Nationally Recognized Testing Laboratory (NRTL) approved transfer switch that is compatible with the generator.
- Installation must obey all applicable codes, industry standards, laws, and regulations.
- Allow sufficient room on all sides of the generator for maintenance and service.
- Speak with the owner about generator placement.
- Speak with the owner about carbon monoxide (CO) and smoke detectors. It is the owner's responsibility to have carbon monoxide and smoke detector(s) installed and maintained indoors according to the manufacturer's instructions and recommendations.
- Make sure that ALL of the manuals are given to the owner after the installation has been completed.

- The unit is to be installed so that the risk of contact by people is minimized.

Owner Responsibilities

- Read and obey the instructions in this *Installation and Operation Manual*.
- Follow a regular maintenance schedule and use the generator as specified in this manual.
- Carbon monoxide detector(s) MUST be installed and maintained indoors according to the manufacturer's instructions and recommendations. Smoke alarms cannot detect carbon monoxide gas.
- Smoke detector(s) MUST be installed and maintained indoors according to the manufacturer's instructions and recommendations. Carbon monoxide alarms cannot detect smoke.

Installation Factors to Consider

The illustrations shown in this manual are for typical circumstances. They are meant to familiarize you with the installation options available for the generator.

Federal and local codes, appearance, noise levels, fuel types, and distances are installation factors that must be considered. Remember that, as the distance increases from the existing electrical service and gaseous fuel supply, and the number of bends in the fuel supply increases, compensations must be made for piping and wiring materials. This is necessary to comply with local codes and overcome electrical voltage drops and gaseous fuel pressure drops.

Delivery Inspection

Avoid damage from dropping, bumping, or collision with the shipping carton.

Remove the carton and carefully examine the generator for damage that can occur during shipment.

If an owner sees loss or damage at the time of delivery, the owner must tell the person or persons who made the delivery to document the loss or damage on the freight bill and affix a signature under the consignor's memo of loss or damage. If the owner notices loss or damage after delivery, separate the damaged materials and then contact the carrier for claim procedures. Missing or damaged parts are not warranted.

Shipment Contents

The generator system is supplied with:

- Oil (5W30 Full Synthetic)
- Flexible fuel line
- Quick Operation Manual
- Product and emissions warranty booklet
- Two access keys
- Two 15 Amp ATO-type fuses
- Four lifting hole caps
- +12V battery terminal cover

Not included (You will need):

- Carbon monoxide detector(s)
- Smoke detector(s)
- Starting battery
- Connecting wire and conduit
- Fuel supply valves/plumbing
- Crane, lifting straps, chains or cables
- Two 60" (152cm) lengths of 3/4" (1.9cm) nominal minimum Schedule 40 steel pipe (NOT conduit)
- Torque screwdriver, 5 to 50 inch-pound range
- Multi-meter

Installation



WARNING

Generator and utility voltage could cause electrical shock or burn resulting in death or serious injury.

- Installation must be performed by a licensed professional.
- Disconnect all sources of electricity before installing or servicing equipment.
- Ground system before applying power.



WARNING

Hazardous Voltage - Installing low and high voltage wire in same conduit could cause electric shock or burns, resulting in death or serious injury.

- Do not run low and high voltage wire in the same conduit unless the insulation rating on ALL wiring is rated for 600 V. See NFPA 70 for more information.

Only current licensed electrical professionals are qualified to do system installations. Installations must obey all related codes, industry standards and regulations. The equipment warranty is VOID unless the system is installed by licensed electrical professionals.

NOTICE Disconnect all power connections before you install this equipment. Failure to do so could cause internal damage to the board during electrical connections.

Incorrect installation can cause damage to the circuit boards and shorten their life. If you install the circuit boards in live circuits it will damage the board, which is not included in the warranty. ALWAYS disconnect ALL sources of power before you service the generator.

All wiring must be the correct gauge, correctly supported and protected by conduit. All wiring must be done as specified by federal, state and local codes, standards and regulations. Obey the wire type and torque specifications printed on the terminal blocks, neutral/ground connectors, and installation instructions. Use the installer supplied 600VAC or greater copper or aluminum wire of a gauge that complies with the latest version of the National Electric Code to complete the connections between utility power, transfer switch, generator,

main distribution panel, and optional remote modules. Apply the necessary correction factors and wire size calculations.

1. Set the Generator Circuit Breaker to the OFF position.
2. Set the Generator ON/OFF Switch to the OFF position.
3. Remove the 15 Amp fuse from the generator.
4. Disconnect the utility power to the generator and transfer switch.

Generator Placement

Before the generator is installed, speak with the owner and convey the requirements that follow. They must be satisfied before the installation is complete.

The owner must be told about two equally important safety concerns:

- Carbon monoxide poisoning
- Fire

An installer must meet several other general location guidelines that are contained in this manual before the installation is complete.

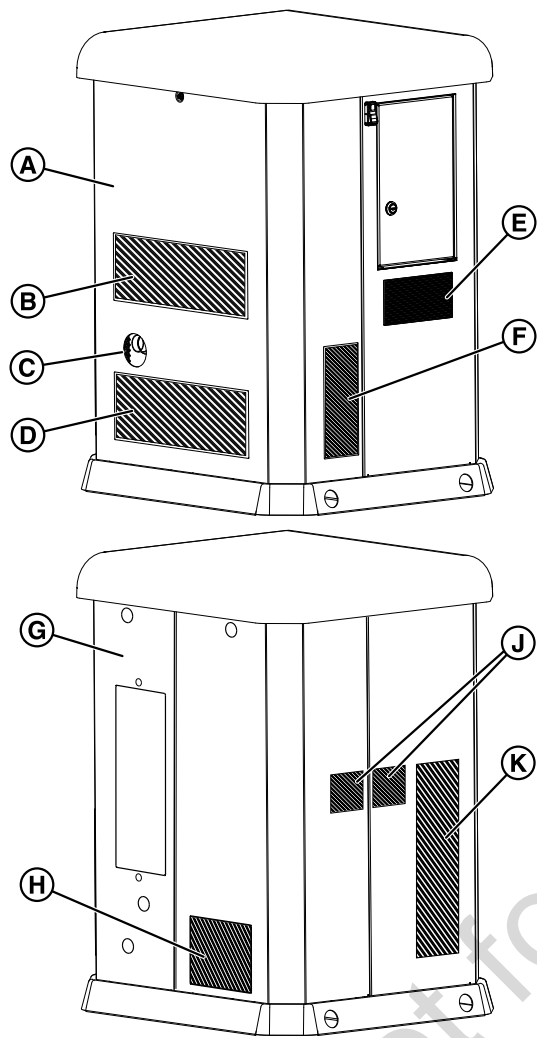


WARNING

Engine exhaust contains carbon monoxide, a poisonous gas that could kill you in minutes. You cannot smell it, see it, or taste it. Even if you do not smell exhaust fumes, you could still be exposed to carbon monoxide gas.

- Operate this product ONLY outdoors in an area that will not accumulate deadly exhaust gas.
- Direct exhaust gas away from any windows, doors, ventilation intakes, soffit vents, crawl spaces, open garage doors or other openings that can allow exhaust gas to enter inside or be drawn into a potentially occupied building or structure.
- Carbon monoxide detector(s) MUST be installed and maintained indoors according to the manufacturer's instructions/recommendations. Smoke alarms cannot detect carbon monoxide gas.
- If you start to feel sick, dizzy, weak, or your carbon monoxide alarm sounds while using this product, get to fresh air right away. Call emergency services. You may have carbon monoxide poisoning.
- DO NOT run this product inside homes, garages, basements, crawlspaces, sheds, or other partially-enclosed spaces even if using fans or opening doors and windows for ventilation. Carbon monoxide can quickly build up in these spaces and can linger for hours, even after this product has shut off.

1



- (A) Front side of enclosure
- (B, D, F, J and K) Neutral air exchange ducts
- (C) Exhaust outlet
- (E) Engine intake duct
- (G) Back side of enclosure
- (H) Alternator inlet duct

Generator Location Considerations

The installation location of the generator directly effects:

1. The amount and size of the plumbing required to fuel the generator.
2. The amount and size of the wiring required to control and connect the generator.
3. The safety of the installation regarding exhaust gas and carbon monoxide hazards, fire risks, proximity to other utilities, and exposure to weather elements.

The *Generator Placement* section addresses specific location guidelines. The owner and installer must speak to one another to determine how the site can affect installation costs and compliance with local codes and standards.

Federal and International Standards

Generator installation must strictly adhere to ICC, IFGC, NFPA 37, NFPA 54, NFPA 58, and NFPA 70 standards.

National Fire Protection Association (NFPA) 37: This standard addresses the installation and use of stationary combustion engines. Its requirements describe keeping an enclosed generator a specific distance from a structure or wall. This standard also requires that when you locate a generator, you provide adequate space to perform maintenance and repair tasks and space for the maneuvering of first responders.

NFPA 37, Section 4.1.4, Engines Located Outdoors: This requirement specifies that engines and their weatherproof housings (if provided) installed outdoors must remain at least 5 ft (1.52 m) from openings in walls and at least 5 ft (1.52 m) from structures with combustible walls. The standard does not require a minimum separation if either of the following conditions exist:

1. The structure's adjacent wall has a fire-resistance rating of at least one hour.
2. Where a fire test involving consumption of the available combustibles, within the engine or, if provided, its weatherproof housing demonstrates that a fire originating at the engine or its weatherproof housing will not ignite combustible structures.

Annex A—Explanatory Material

A4.1.4 (2): This requirement means that demonstrating compliance involves conducting a full-scale fire test or by following the calculation procedures found in Chapter 10 of NFPA 555.

This requirement concludes that due to the limited space frequently available for installation of the unit, exception (2) is beneficial for many residential and commercial installations. The manufacturer has contracted with an independent testing laboratory to conduct full-scale fire tests.

The ultimate goal of the fire testing was to evaluate the absolute worst fire scenario within the generator and to determine the ignition risk for items outside the engine enclosure at specific distances. Note that the enclosure is constructed of non-combustible materials. Outcomes from independent lab tests showed that a fire that started within the generator enclosure would not pose an ignitability risk to nearby combustibles or structures for at least one hour.

Combining results from these full-scale tests and the requirements of NFPA 37, Sec 4.1.4, the guidelines for installation of the generators previously mentioned change to 18 in (45.7 cm) from the back side of the generator to a stationary wall or building. For more information see *Distance Requirements* section in this manual.

Reduce the Risk of Carbon Monoxide Poisoning

In high concentrations, carbon monoxide (CO) can be fatal in minutes. However, the effects of lower concentrations can also be lethal. This gas poses serious dangers to humans

and their animals because no one can smell, see, or taste it. Symptoms of exposure to CO include:

- Watery, itchy eyes
- Throbbing temples
- Inability to think coherently
- Ringing in the ears
- Headache
- Incoherent or slurred speech
- Flushed appearance
- Inattentiveness
- Loss of physical coordination
- Tightness across the chest
- Drowsiness
- Nausea
- Dizziness
- Vomiting
- Fatigue
- Collapse
- Convulsions

If you (or someone nearby) suffers from any of the above symptoms, immediately seek fresh air and call for emergency medical help for possible carbon monoxide poisoning. If your carbon monoxide alarm sounds while using this product, immediately seek fresh air (even if you experience none of the previously mentioned symptoms).

Carbon Monoxide (CO) Detectors

NOTICE: Installing functioning CO alarms indoors is the only way to recognize CO gas. Common smoke alarms do not detect CO gas and will not alert occupants of its presence.

A CO detector is an electronic device that detects hazardous levels of CO. When a buildup of CO occurs, the detector will alert the occupants by sounding an alarm and by flashing a visual indicator light.

By law many states require a home to have a functioning carbon monoxide (CO) detector. The installer must speak

with the owner about carbon monoxide (CO) detectors. Carbon monoxide detector(s) MUST be installed and maintained indoors according to the manufacturer's instructions and recommendations. Smoke alarms cannot detect carbon monoxide gas.

Contact the local building inspection division for any relevant requirements regarding the use of CO detectors. See National Fire Alarm and Signaling Code (NFPA) 72 Code and Section R315 in the International Residential Code (ICC) for additional details.

Potential Carbon Monoxide Entry Points

Operation Guidelines:

NOTICE: Operate this product only outdoors and in an area that will not allow this deadly exhaust gas to collect.

Never operate this product inside homes, garages, basements, crawl spaces, sheds, under a deck, or other partially enclosed areas and understand that using fans and opening doors in these areas may not provide adequate ventilation. Carbon monoxide can quickly accumulate in these forbidden spaces and can remain in the air for several hours after this product has shut off.

Installation Guidelines:

Follow all instructions and illustrations in this manual when placing an enclosure.

Always point the generator's engine exhaust away from occupied areas. Never expose your neighbors' homes to the engine exhaust flowing from your standby generator during the installation process.

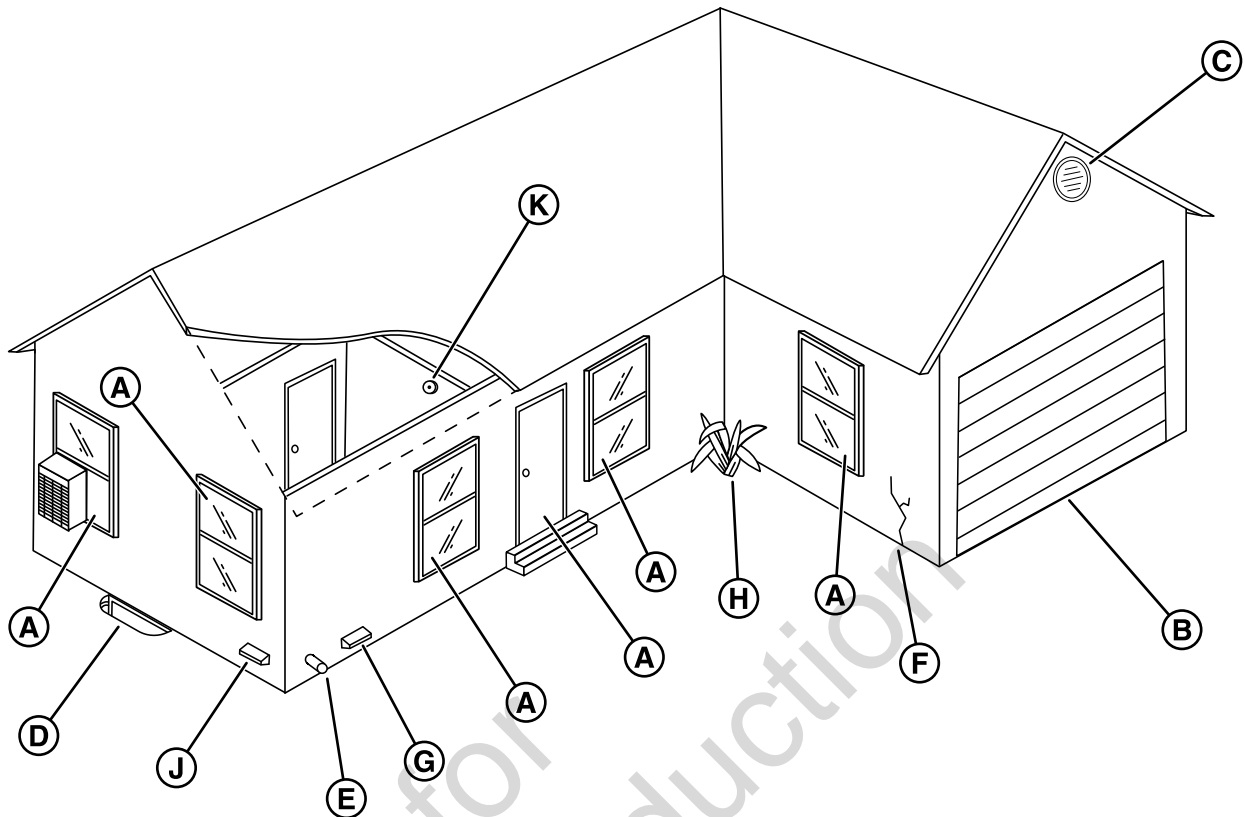
Never place the standby generator in any area where leaves or debris can accumulate.

Generator exhaust can enter through windows, doors, and other openings of a structure. Understand that exhaust and CO can seep into a structure through the smallest openings.

Protecting the Structure

Examine the structure to make sure that the sealing and caulking is sufficient enough to prevent air from leaking in or out. Examine the structure for voids, cracks, or openings surrounding windows, doors, soffits, pipes, and vents, as these areas can permit exhaust gas and Carbon Monoxide (CO) to enter the structure.

2



The table that follows includes examples of potential entry points for CO gas.

LOCATION	ENTRY POINT	EXPLANATION
A	Windows and doors	Openings that are part of a structure's architecture can permit fresh air and CO into the structure, especially when open.
B	Garage door	An open or improperly unsealed garage door can allow CO to flow into a garage.
C	Attic vent	Generator exhaust can enter through attic vents and the vents for soffits, crawl spaces, and ridges or roofs.
D	Basement windows	Basement windows or hatches that permit ventilation to or from the structure's lower level also allow CO gas to enter the structure.
E	Furnace intake or exhaust vent	Air intakes and furnace exhaust pipes are common entry points for CO gas.
F	Wall cracks	Any cracks in a structure's walls, including the foundation and mortar, and any gaps around windows, doors, and pipes can let CO in.
G	Dryer vent	Sometimes the exhaust vent for the clothes dryer lets CO gas into the structure.
H	Airflow restrictions	Areas featuring structural corners and heavy vegetation restrict the airflow and collect exhaust gas.
J	Makeup air system	Note: Keep all mechanical and gravity outdoor air intake openings for HVAC supply air systems 10 ft (3 m) horizontally from the generator's enclosure. Refer to section 401 in the ICC Mechanical Code for details on requirements.
K	Carbon monoxide detector(s)	Note: Installing functioning CO alarms indoors is the only way to recognize CO gas. Common smoke alarms do not detect CO gas and will not alert occupants of its presence.

Reducing the Risk of Fire



Exhaust heat/gases could ignite combustibles causing a fire, resulting in death or serious injury.

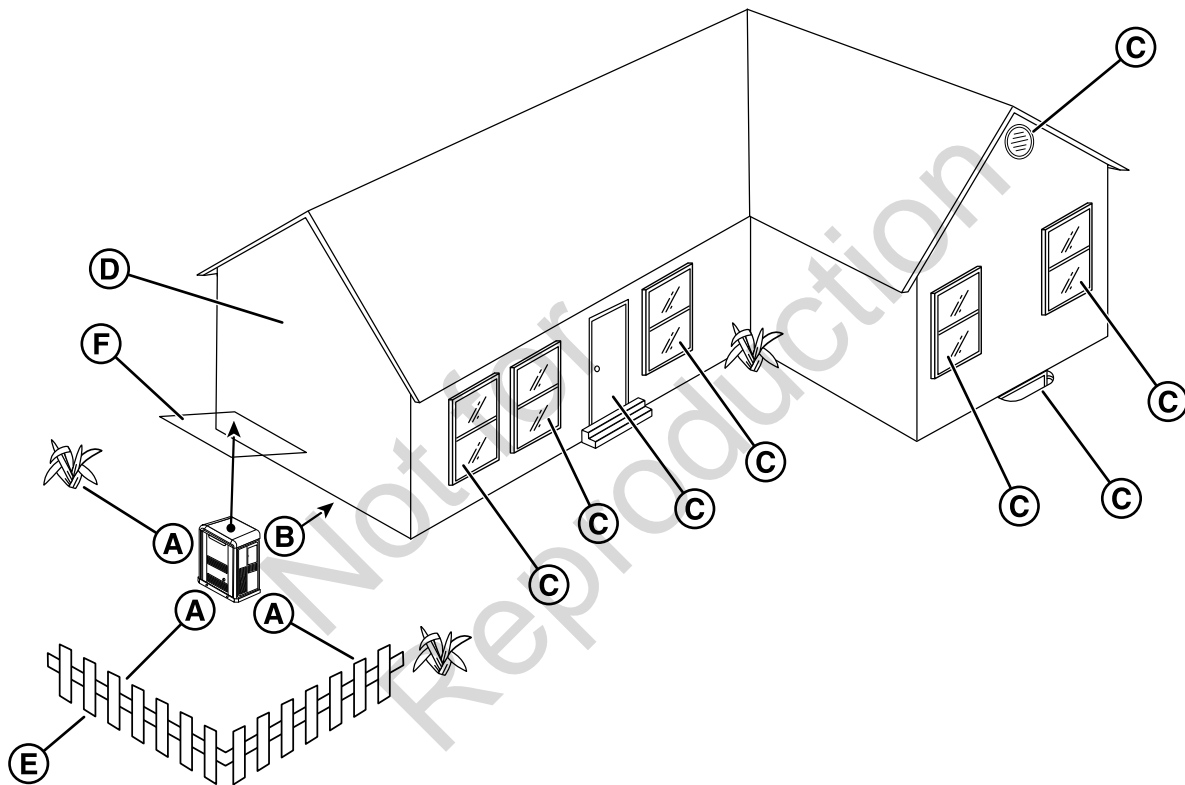
- Remove all combustible materials from in and around the generator compartment.

To help prevent fires, the generator must be installed a safe distance from all combustible materials. The unit's engine, alternator, and exhaust system components can become very hot during operation. Reduce the likelihood of a fire by keeping the unit properly ventilated, properly maintained, free of fuel leaks, and away from combustible materials. Also, flammable debris may collect within or outside the generator enclosure and may possibly ignite, causing a fire.

Distance Requirements

An owner must maintain minimum clearances around the generator enclosure. These clearances exist primarily for fire prevention, but they also make sure that adequate space for maintenance tasks, such as removing the unit's front, back, exhaust outlet side, and air inlet side panels.

3



The table that follows explains the correct distances required for installation.

LOCATION	ITEM	EXPLANATION
A	Front and end clearance	Maintain a 3 ft (.91 m) minimum clearance from the front and ends of the generator. Keep shrubs, bushes, plants, and trees this same minimum distance from the unit and never use vegetation to conceal the unit.
B	Back clearance	Since fuel and electrical connections occur here, keep 18 in (45.7 cm) minimum clearance per independent testing laboratory, unless state codes tell you otherwise.
C	Windows, vents, and openings	Install the generator at least 5 ft (1.52 m) from all windows, doors, vents, window wells, or openings in the wall. See <i>Protecting the Structure</i> section in this manual.
D	Existing wall	Keep the generator at least 18 in (45.7 cm) away from existing walls.
E	Removable fence	Keep removable fences at least 3 ft (.91 m) away from the front of the generator. Removable fences include visual surrounds, fence panels, and temporary barriers without footings.
F	Overhead clearance	Maintain a 5 ft (1.52 m) minimum clearance from all structures, overhangs, projections on a wall, or trees.
G	Maintenance and servicing (not shown)	Allow adequate space to perform routine maintenance, such as servicing the engine and replacing the battery. Never use shrubs, bushes, trees, or plants to conceal the generator.

Other General Location Guidelines

- Place the standby generator in a prepared location that is flat and has provisions for water drainage.
- Install the standby generator in a location where sump pump discharge, rain gutter down spouts, roof run-off, landscape irrigation, or water sprinklers will not flood the unit or spray the enclosure and enter any air inlet or outlet openings.
- Install the standby generator where it will not affect or obstruct any services (including covered, concealed and underground), such as telephone, electric, fuel (natural gas / LPG vapor), irrigation, air conditioning, cable, septic, sewer, well and so forth.
- Install the standby generator where leaves, grass, snow, etc will not obstruct air inlet and outlet openings. If prevailing winds will cause blowing or drifting, you may need to construct a windbreak to protect the unit.

Cold Weather Kits

If the generator operates in temperatures below 30 °F (-1 °C), it is recommended that a Cold Weather Kit be installed.

Oil and Battery Warmer Kit, Part Number 6921, includes:

- Oil warmer
- Battery warmer
- Harness

Fuel Regulator Warmer Kit, Part Number 6845, includes:

- Regulator warmer
- Harness

Battery Warmer Kit, Part Number 6182, includes:

- Battery warmer
- Harness

Oil Warmer Kit, Part Number 6922, includes:

- Oil warmer
- Harness

These items are available at your local service dealer.

For more information, call 800-732-2989 between 8:00 AM and 5:00 PM CT.

Lift the Generator



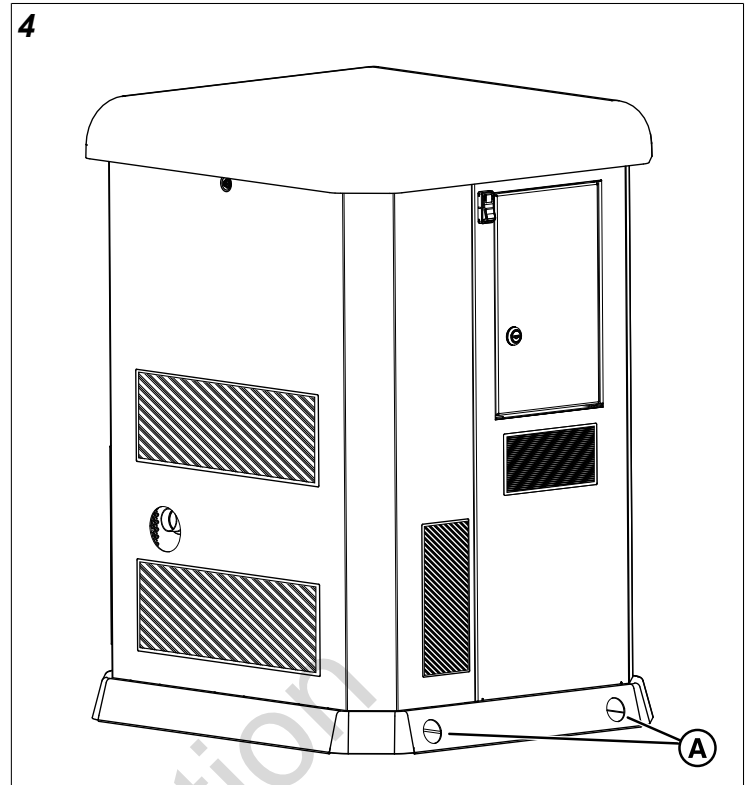
WARNING
Hazardous Voltage - Contact with power lines could cause electric shock or burns, resulting in death or serious injury.

- If lifting or hoisting equipment is used, DO NOT contact any power lines.
- DO NOT lift or move generator without assistance.

Correct tools, equipment, and qualified personnel must be used in all phases of handling and moving the generator. The approximate weight of the generator is listed in the *Generator Specifications* section.

Use the lifting holes (A, Figure 4) in the base of the generator to lift the generator onto the concrete slab or pad. Lift the

generator in accordance with the Occupational Safety and Health Administration (OSHA) or local lifting regulations.



Anchor the Generator and Wind Ratings

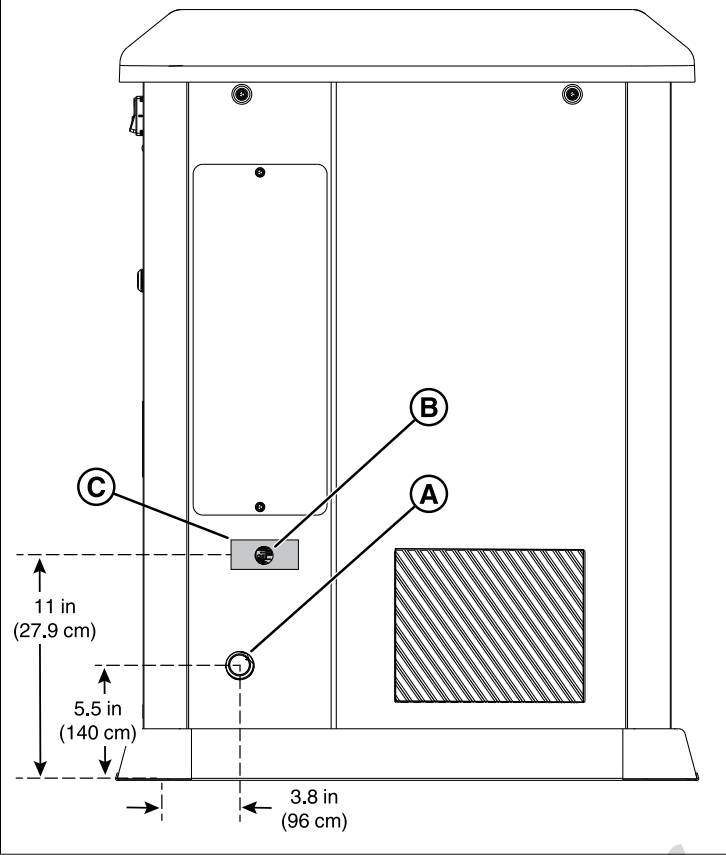
Unless mandated by local or state codes, or required to achieve wind rating, a concrete pad is not required for anchoring the generator. For concrete pad mounting and wind rating details, reference the *Anchoring and Wind Rating Diagram* at the end of this manual.

Electrical and Fuel Inlet Locations

The 3/4 inch N.P.T. fuel inlet connector (A, Figure 5) and electrical inlet locations (B) are shown below.

The 1/2 inch knock-out is provided for the electrical inlet. This inlet may be enlarged or supplemented to accommodate a maximum conduit size of 1-1/2 inches. Make sure that the installed conduit(s) enter the unit in zone (C) as shown in the drawing that follows so that they enter the electrical box correctly.

5



Access Panels: Installation and Removal

The generator is equipped with an enclosure that has multiple access panels, as shown in the images that follow.

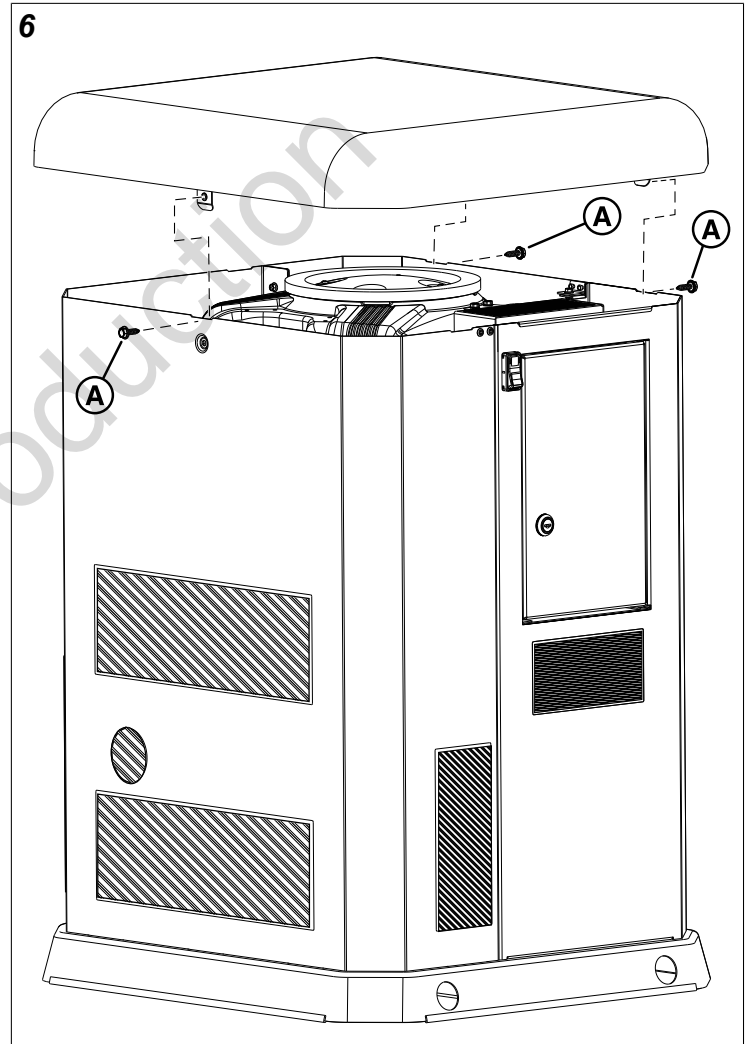
Each access panel and the roof are used to access:

- Battery Compartment
- Engine Oil Drain Hose
- Engine Oil Filter
- Engine Valve Cover
- Spark Plugs

Each generator is shipped with a set of identical keys attached to one of the panels.

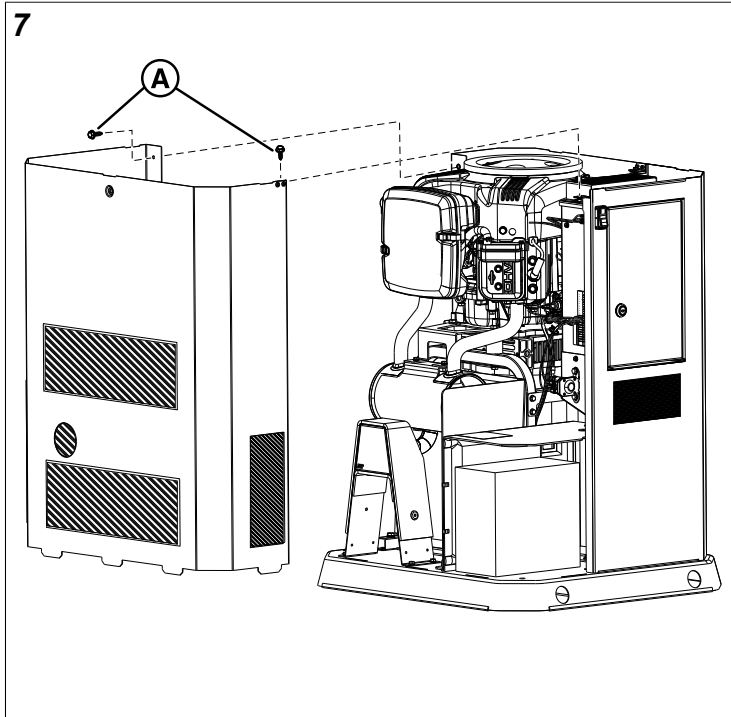
Roof – Installation and Removal (Figure 6):

1. Install or remove the roof, carefully, with the screws (A) that attach the roof to the unit.

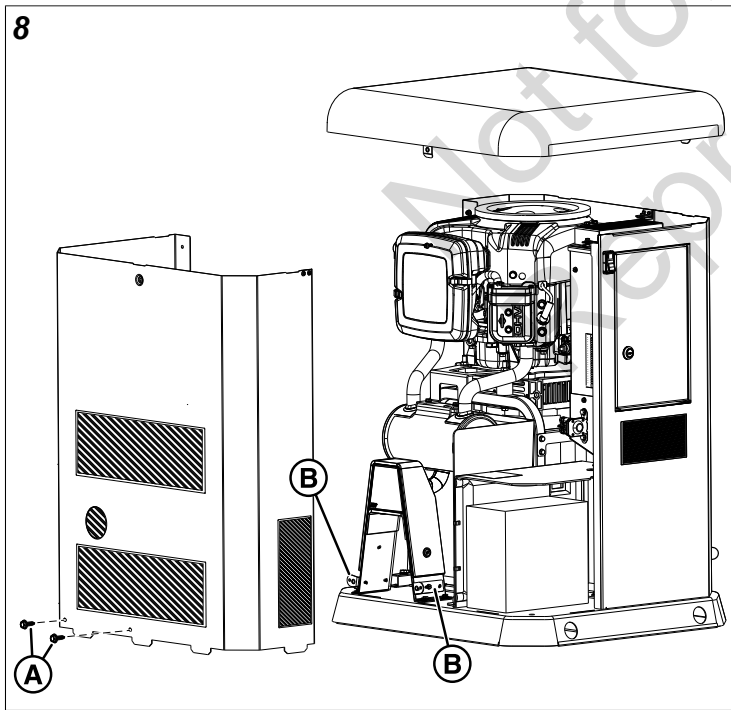


Front Panel – Installation and Removal (Figure 7):

1. Install or remove the front panel, carefully, with the two fasteners (A) that attach the panel to the unit.



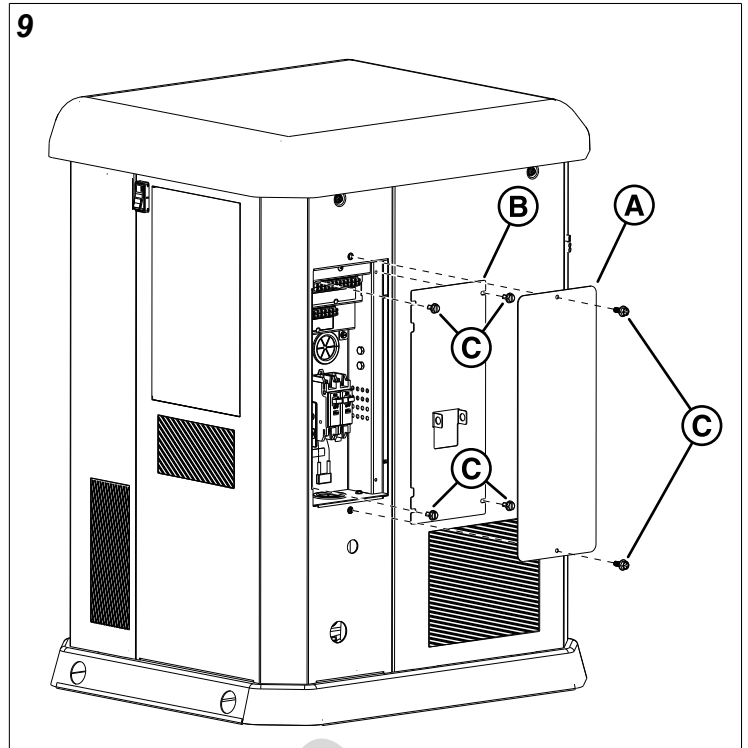
2. If installed for wind rating, remove the fasteners (A, Figure 8). The support brackets (B) do not need to be removed.



3. Lift and flex panel outward and off of the base. Use caution to prevent damage to the battery box.

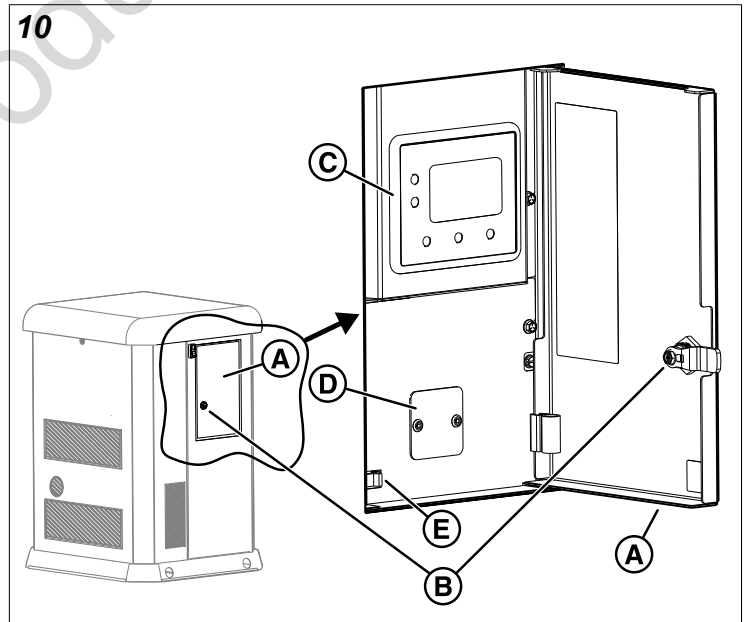
Field-Connections Access Panels – Installation and Removal (Figure 9)

1. Install or remove the field-connections access panels (A and B) by removing the fasteners (C) that attach the panels to the enclosure.



Access Door for the Controller, Fuse and LED Light – Open and Close (Figure 10)

1. This door (A) gives access the generator's controller (C), battery charger LED view window (D) and fuse (E). If it is locked (B) use the keys supplied with your generator.



Fuel Installation Plan



WARNING

Propane and Natural Gas are extremely flammable and explosive, which could cause burns, fire or explosion resulting in death or serious injury.

- Installation must be performed by a licensed professional.
- Install the fuel supply system according to NFPA 37 and other applicable fuel-gas codes.
- Before placing the generator into service, the fuel system lines must be properly purged and leak tested.
- NO leakage is permitted.
- DO NOT operate engine if smell of fuel is present.



WARNING

Propane and Natural Gas are extremely flammable and explosive, which could cause burns, fire or explosion resulting in death or serious injury.

- DO NOT operate the equipment if the fuel shut-off valve is missing or inoperative.



WARNING

Propane and Natural Gas are extremely flammable and explosive, which could cause burns, fire or explosion resulting in death or serious injury.

- LP gas is heavier than air and will settle in low areas.
- Natural gas is lighter than air and will collect in high areas.
- The slightest spark could ignite these fuels and cause an explosion.
- DO NOT allow any open flame, spark, heat, or lit cigarette.

NOTICE: DO NOT install the supplied flexible fuel line underground or in contact with the ground. Keep the entire flexible fuel line visible for periodic inspection. Do not conceal it or run it within any wall, floor, or partition. Never let the line contact these structures.

NOTICE: DO NOT bend the supplied flexible fuel line.

The following information addresses the planning phase of installations for technicians specializing in gaseous fuel systems. Always obey the local applicable fuel-gas codes affecting the installation site. Consult your local fuel supplier or fire marshal with any questions or problems.

TO THE INSTALLER: Consult with the generator owner(s) and address any technical considerations affecting their installation plans before applying these guidelines.

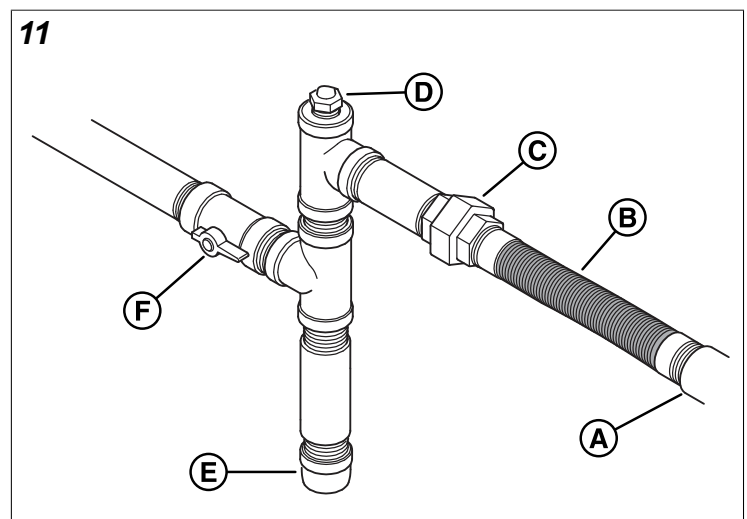
The general rules that follow apply to piping on gaseous fuel systems:

- The piping material must follow federal and local codes, with rigid mounting and protection against vibration.

- Protect piping from physical damage, especially where it passes through flower and shrub beds and other cultivated areas where damage can occur.
- Install the provided flexible fuel line (B, Figure 11) between the generator fuel inlet port (A) and the rigid piping to prevent excessive stress on the piping material due to thermal expansion and contraction.
- Provide a union (C) or flanged connection downstream to allow for future removal.
- Install a manometer test port (D) for vapor fuels. Use the port to install a manometer and check if the engine receives the proper fuel pressure adequate for operation. See the service center for a digital or analog manometer designed for vapor fuels only (part number 19495). After completing the initial test runs, remove the manometer and plug the port.
- For vapor fuels only: Protect piping from freezing in areas that are prone to the formation of hydrates or ice. When terminating hard piping, use a sediment trap (E) where condensate liquid cannot likely freeze.
- Install a minimum of one accessible, approved manual shut-off valve (F) in the fuel supply line within 6 ft (1.8 m) of the generator.
- Install a manual shut-off valve in the interior of the building.
- Increase strength and flexibility of the piping supports and connections in areas prone to earthquakes, tornados, flood hazards, and unstable ground.
- Make sure that the size of the piping is adequate enough to maintain the required supply pressures and volume flow under varying generator load conditions, with all gas appliances connected to the fuel system turned on and operating.
- Use a pipe sealant or joint compound approved for use with natural gas/liquefied petroleum on all threaded fittings to reduce the possibility of leakage.

NOTICE: Keep thread sealant out of the gas piping to prevent damage to component parts.

- Purge and leak-test piping according to applicable codes and standards.



- (A) Generator Fuel Inlet

- (B) Flexible Fuel Line
- (C) Union Fitting
- (D) Manometer Test Port
- (E) Sediment Trap
- (F) Manual Shut-off Valve

- In engines set up to run on propane (liquefied petroleum), You must use commercial-grade HD-5 propane.

Natural gas or LP engines are certified to operate on natural or liquid propane gas. The emissions control system for this engine is EM (Engine Modifications).

Fuel Consumption

Estimated fuel supply requirements at half and full load for natural gas and LP vapor fuels are shown in the table that follows:

LP Vapor (Propane)

	13kW	
1/2 Load	BTU/hr (MJ/hr)	154,000 (170)
	ft3/hr (m3/hr)	62 (1.8)
	gal/hr (L/hr)	1.7 (6.4)
Full Load	BTU/hr (MJ/hr)	258,000 (280)
	ft3/hr (m3/hr)	103 (3.0)
	gal/hr (L/hr)	2.9 (10.7)

Natural Gas

	13kW	
1/2 Load	BTU/hr (MJ/hr)	119,000 (130)
	ft3/hr (m3/hr)	119 (3.4)
Full Load	BTU/hr (MJ/hr)	212,000 (230)
	ft3/hr (m3/hr)	212 (6.0)

Physical Properties	LP Vapor	Natural Gas
Normal Atmospheric State	Gas	Gas
Boiling Point °F (°C)	-44 (-42)	-259 (-167)
Heating Value		
BTU/gal (MJ/L) liquid (Net LHV*)	83,340 (23.23)	63,310 (17.65)
BTU/gal (MJ/L) liquid (gross**)	91,547 (25.52)	n/a
BTU/ft3 (MJ/m3) gas	2,500 (93.15)	1,000 (37.26)
Density – ft3/gal (m3/L)	36.39 (0.27)	57.75 (0.43)
Weight – lb/gal (kg/L)	4.24 (0.51)	2.65 (0.32)

* LHV (Low Heat Value) is the more realistic rating.

** Gross heat value does not consider heat lost in the form of water during combustion.

Fuel Type

Consider the type of fuel that your generator uses, as it affects the entire installation process. The system was factory tested and adjusted using natural gas, but it can be converted to use liquefied petroleum vapor. For correct engine function, consider factors that affect each of these fuels, such as the location and the duration of possible utility interruptions. When choosing fuel type, obey these guidelines that follow:

- Use a clean, dry fuel that is free of moisture or any particulate material. Using fuels outside the recommended values can cause performance problems.

Fuel Pressure

Both liquefied petroleum (LP) and natural gas (NG) fuel supply pressure at the generator's fuel inlet port must be a minimum value at full load with all gas appliances turned on and in operation.

Natural Gas must be 3.5 to 7 in (89 to 178 mm) Water Column (WC).

Liquefied Petroleum must be 11 to 14 in (279 to 356 mm) WC.

Make sure that all gas line shut-off valves are OPEN and that adequate fuel pressure is available whenever automatic operation is needed.

Power Loss

Engine power will decrease 3.5% for each 1,000 feet (300 meters) above sea level and 1% for each 10°F (5.6 °C) above 77 °F (25 °C).

Fuel Conversion

The engine of your home generator system is factory calibrated and set to operate on natural gas (NG). It may also be operated on liquefied petroleum (LP) vapor.

NOTICE: Units are set to NG at the factory. Both screw settings are given in the list that follows.

The initial factory NG fuel settings are:

- Idle Screw (C, Figure 14): 3/8 of a turn
- Main Screw (D): 1-3/8 turns

The LP fuel settings are:

- Idle Screw (C): 3/4 of a turn
- Main Screw (D): 1/8 of a turn

To convert to either fuel, do the steps that follow:

1. Push the ON/OFF Switch (A, Figure 12) to the "OFF" (0) position (see switch location in the *Features and Controls* section).
2. Remove utility power to the generator to de-energize the battery charger.
3. Remove the roof (see the *Access Panels: Installation and Removal* section).
4. Remove the 15 Amp fuse (B) from the fuse holder (see fuse location in the *Features and Controls* section).
5. Remove the front panel (see the *Access Panels: Installation and Removal* section).
6. Disconnect the negative (-) cable at the battery.

7. Push the fuel-selector toggle switch (B, Figure 13) that is located on the top of the field connection box to the correct position — LP or NG (A).
8. Using a slotted screwdriver turn screws (C and D, Figure 14) clockwise until they are snug.

NOTICE Do NOT over-tighten. It can cause damage to the mixer port.

9. Using a slotted screw driver turn screw (C) counterclockwise the number of turns specified in the **NOTICE** at the start of this section.
10. Using a slotted screw driver turn screw (D) counterclockwise the number of turns specified in the **NOTICE** at the start of this section.
11. Connect the negative (-) cable at the battery.
12. Install the front panel (see the *Access Panels: Installation and Removal* section).
13. Install the 15 Amp fuse (B, Figure 12) into the fuse holder (see fuse location in the *Features and Controls* section).
14. Install the roof (see the *Access Panels: Installation and Removal* section).
15. Push the ON/OFF Switch (A) to the “ON” (I) position (see switch location in the *Features and Controls* section).
16. Unlock (if necessary) and open the controller access door and verify that the controller is in **Manual Mode**.
17. Push and hold the CONFIG button to access the configuration menu.
18. Push SELECT to edit the items in the configuration menu.

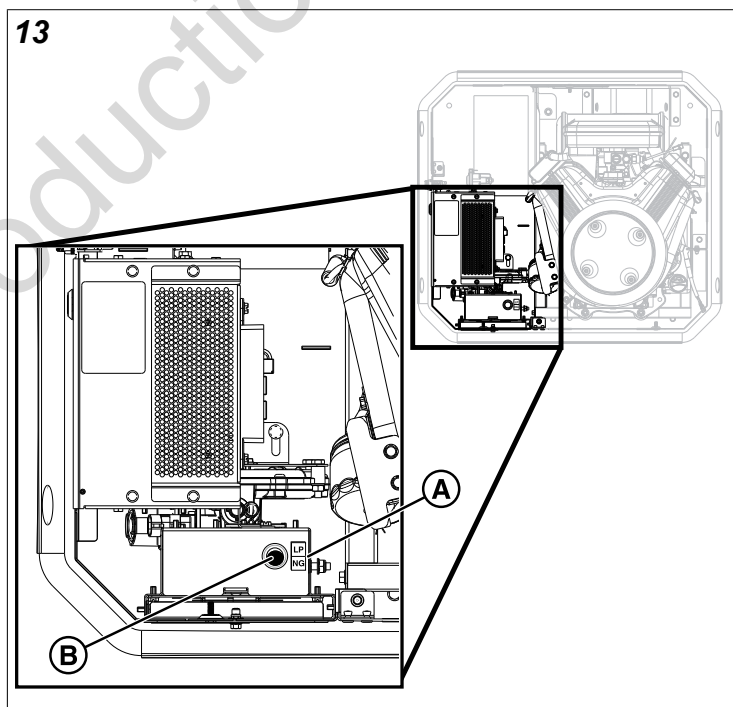
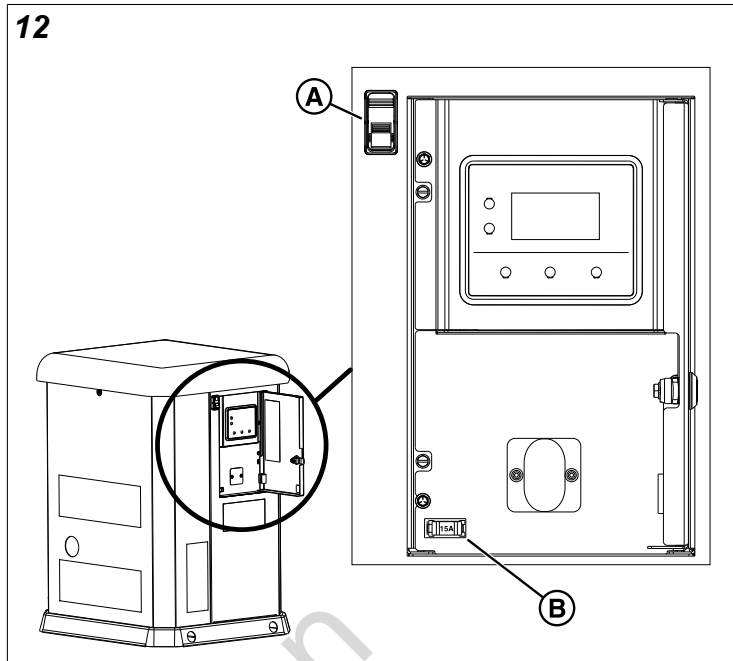
NOTICE If you are changing the setup in the generator's controller from the factory setting of NG fuel to LP fuel you will need to enter the Configuration Menu by using the Dealer Password, which is available on the Power Portal.

19. Navigate to “SELECT PROFILE” and push select on the correct profile for the generator. For example “13KW_LP” for operating a 13kW unit running on LP fuel

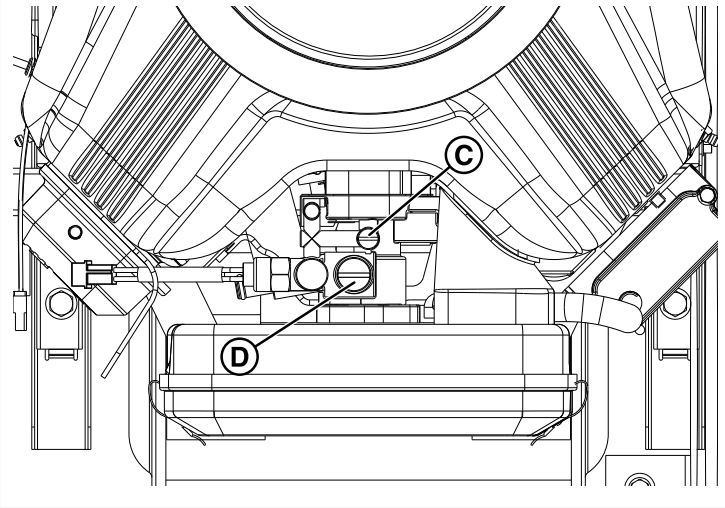
NOTICE Selecting a profile that is not intended for the generator can cause the generator to run erratically and can result in damage

20. To save the new fuel setting, push and hold the STOP/ CONFIG button until “Saving Settings...” is displayed.
21. DO NOT change the fuel regulator setting. Whether you are using NG or LP fuel this setting MUST be left at the factory setting of NG (E, Figure 15).

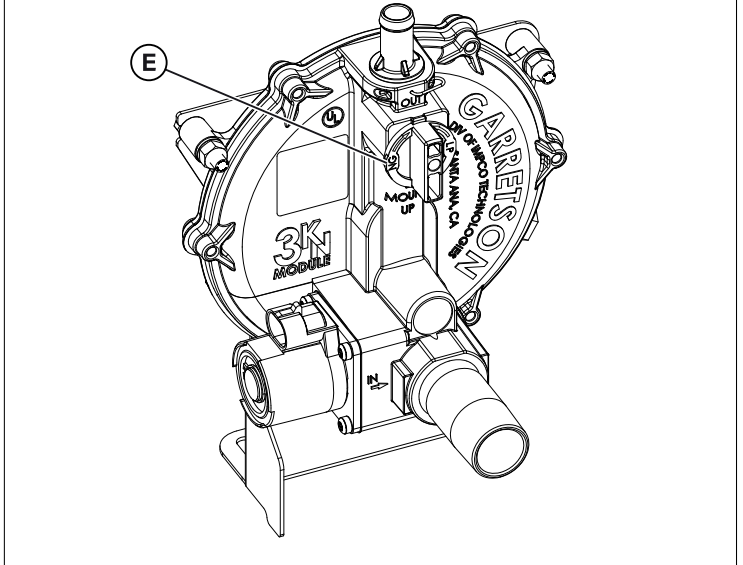
22. For Additional information on the operation of the generator controller please refer to the online “*Operation Instructions GC1030 Series GENSET Controller*” manual associated with your generator.



14



15



Electrical Field Connections



WARNING

Generator and utility voltage could cause electrical shock or burn resulting in death or serious injury.

- Installation must be performed by a licensed professional.
- Disconnect all sources of electricity before installing or servicing equipment.
- Ground system before applying power.



WARNING

Hazardous Voltage - Installing low and high voltage wire in same conduit could cause electric shock or burns, resulting in death or serious injury.

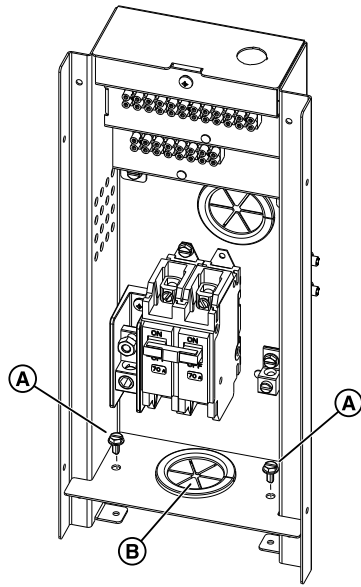
- Do not run low and high voltage wire in the same conduit unless the insulation rating on ALL wiring is rated for 600 V. See NFPA 70 for more information.

1. Remove the field-connections access panels (see *Access Panels: Installation and Removal* section)
2. Insert the field wires through the knock-out hole.

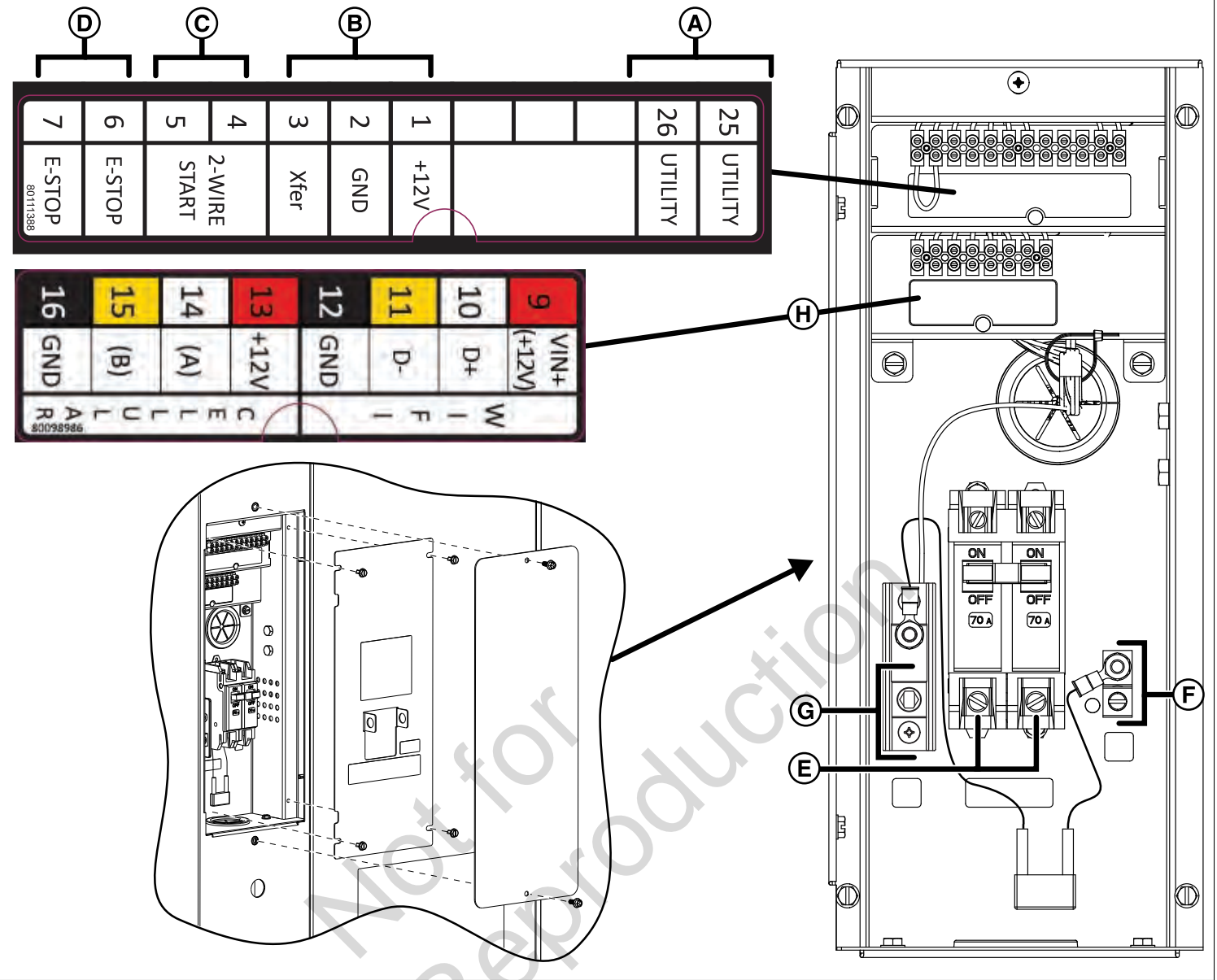
NOTICE If necessary, enlarge the knock-out hole to a size that will allow the wires to fit through.

NOTICE Use a vacuum to remove dirt or metal shavings in and around the generator. Do not use a blower or compressed air because debris can get caught in electrical and mechanical components. This can cause damage or malfunction.

3. Remove the fasteners (A, Figure 16) from the bottom plate of the field-connection box.
4. Pull the wires up through the rubber grommet (B) and up into the field-connection box.
5. Install the bottom plate to the tabs in the field-connection box with the fasteners (A).
6. Make the field connections as shown in the image (Figure 17) and table that follow.
7. Install the field-connections access panels (see *Access Panels: Installation and Removal* section).



Not for
Reproduction



Legend (Figure 17):

- (A) Utility and Field Connections Terminal Block — Connects utility 240 VAC from the fuse block in ATS to the controller. Connect only one wire per terminal. Reference the table that follows for field connections.
- (B) Transfer Switch Connection — Controls the transfer switch contactor.
- (C) Two-wire Start — Helps provide optional remote start contact.
- (D) E-Stop — Use with the optional external E-Stop
- (E) Power Connection (L1 and L2) — Connects to the transfer switch
- (F) Ground Connection — Connects to the transfer switch ground wire
- (G) Neutral Connection — Connects to the transfer switch neutral wire
- (H) Communications Terminal Block — Reference the table that follows:

Pin Number	Description	Wire Type	Connect To	Notes
1	+12V	18AWG[1mm ²] conductors, 600V minimum, 90°C Cu wire	Transfer switch basic controller J7-8 12VDC	Transfer switch Transfer Signal (only works with basic Transfer Switch Controller)
2	GND	18AWG[1mm ²] conductors, 600V minimum, 90°C Cu wire	Transfer switch basic controller J7-7 GND	
3	Xfer	18AWG[1mm ²] conductors, 600V minimum, 90°C Cu wire	Transfer switch basic controller J7-4 T/R	

Pin Number	Description	Wire Type	Connect To	Notes
4	2-WIRE START	18AWG[1mm ²] conductors, 600V minimum, 90°C Cu wire	Refer to Transfer switch manual to verify if this function is available	Contact Close for Genset Start. (Only for transfer switch that provides this option) . Mains monitoring must be disabled in the controller
5	2-WIRE START	18AWG[1mm ²] conductors, 600V minimum, 90°C Cu wire		
6	E-STOP	18AWG[1mm ²] conductors, 600V minimum, 90°C Cu wire	E-Stop Switch	Contact Open to Shutdown Genset
7	E-STOP	18AWG[1mm ²] conductors, 600V minimum, 90°C Cu wire	E-Stop Switch	
8	Not Used	-	-	-
9	VIN+ (+12V)	18AWG[1mm ²] conductors, 600V minimum, 90°C Cu wire	Refer to the Amplify Gateway Manual	Comm to WIFI module Twisted pair #1: +12V and GND Twisted pair #2: (D-) and (D+)
10	D-	18AWG[1mm ²] conductors, 600V minimum, 90°C Cu wire		
11	D+	18AWG[1mm ²] conductors, 600V minimum, 90°C Cu wire		
12	GND	18AWG[1mm ²] conductors, 600V minimum, 90°C Cu wire		
13	+12V	18AWG[1mm ²] conductors, 600V minimum, 90°C Cu wire	Not used	Not used
14	(B)	18AWG[1mm ²] conductors, 600V minimum, 90°C Cu wire		
15	(A)	18AWG[1mm ²] conductors, 600V minimum, 90°C Cu wire		
16	GND	18AWG[1mm ²] conductors, 600V minimum, 90°C Cu wire		
25	25	14AWG [2.5mm ²] 600V minimum, 90°C Cu Wire	Transfer switch Utility	Delivers power to the generator's battery charger, controller, optional battery warmer, optional oil warmer, and optional fuel regulator warmer. Also, when voltage on these leads is lost in AUTO Mode, generator will start if Mains Monitoring is enabled (default setting)
26	26	14AWG [2.5mm ²] 600V minimum, 90°C Cu Wire	Transfer switch Utility	

- For power output connection (L1, L2, Neutral (N), and Ground), refer to the National Electric Code (NEC) and local codes for correct wire specifications.
- For communication wires use 600V wire and #18 AWG [1mm²] twisted-pair conductors that do not exceed a length of 500 ft (150 m).
- When connecting to the terminal block, fasten only one wire to each connector screw.
- Torque terminal block screws to 4.4 in-lb [0.5 Newton meter (N·m)].

Connection Specifications

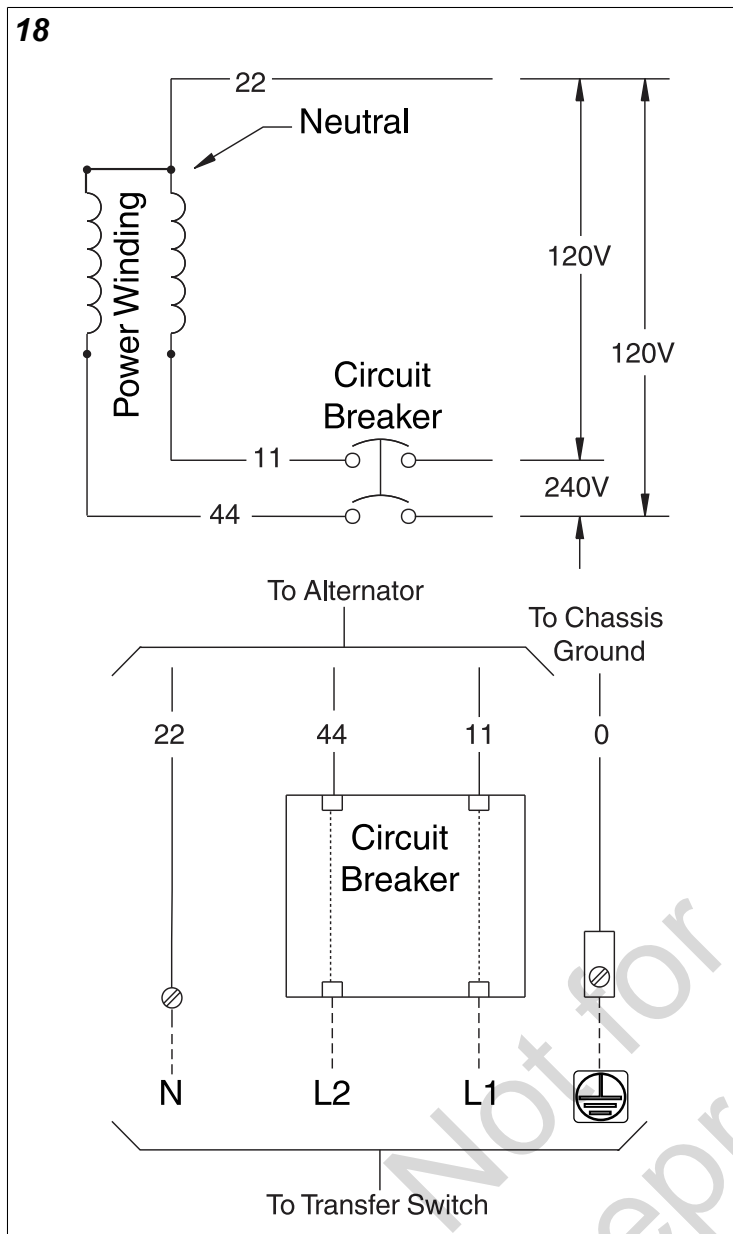
Connection	Temperature Rating: °F (°C)	Recommended Wire Size (AWG)	Torque Specifications
Circuit Breaker (copper or aluminum)	140 °F / 167 °F (60 °C / 75 °C)	6 to 1/0	45 in-lbs (5.08 Nm)
Neutral Lug (copper or aluminum)	167 °F (75 °C)	2/0 to 14 CU 2/0 to 12 AL	120 in-lbs (13.56 Nm)
Ground Lug (copper or aluminum)	194 °F (90 °C)	14 to 2	50 in-lbs (5.65 Nm)

AC System Connections

The generator uses a single-phase, three-wire AC connection system (Figure 18). The stator assembly consists of a pair of stationary windings with two leads appearing from each winding. The junction of leads 22 and 33 forms the neutral lead.

NOTICE: Neutral is not bonded to ground at generator.

NOTICE: The generator must be used with an UL listed transfer switch that is compatible with the generator. Only use the generator with a listed transfer switch that is compatible with the generator.



Ground the Generator

Unless mandated by local code, additional chassis grounding to earth at the generator is not required. Any grounding at the generator must use paint-piercing lock washers (or their equivalent). Any listed terminals must be installed per the terminal supplier's instructions. All grounding and terminal installations must comply with national electrical codes and local requirements.

Engine Oil

NOTICE: Any attempt to crank or start the engine before it has been correctly filled with the recommended oil will result in equipment failure and service codes.

- Refer to *Maintenance* in the *Operation* section of this manual for oil fill information.
- Damage to equipment resulting from failure to obey this instruction will void the engine and generator warranty.

This engine ships from the factory pre-run and filled with full synthetic oil (API SJ/CF 5W-30). This allows for system operation in a wide range of temperature and climate conditions. Before starting the engine, check the oil level as described in the *Maintenance* section of this manual.

The use of full synthetic oil does not alter the required oil change intervals described in the *Operation* section of this manual.

Battery

WARNING 

Storage batteries give off explosive hydrogen gas during recharging. Slightest spark could ignite hydrogen and cause explosion, resulting in death or serious injury.

- DO NOT dispose of battery in a fire. Recycle battery.
- DO NOT allow any open flame, spark, heat, or lit cigarette during and for several minutes after charging a battery.
- Discharge static electricity from body before touching batteries by first touching a grounded metal surface.

WARNING  

Battery electrolyte fluid contains acid and is extremely caustic. Contact with battery contents could cause severe chemical burns.

- DO NOT open or mutilate the battery.
- Wear protective goggles, rubber apron, rubber boots and rubber gloves.
- Immediately wash electrolyte from skin with water.
- If electrolyte contacts eyes, immediately flush with water and seek medical attention.
- Spilled electrolyte is to be washed down with an acid neutralizing agent.
- A common practice is to use a solution of one pound (500 grams) bicarbonate of soda to one gallon (4 liters) of water. The bicarbonate of soda solution is to be added until the evidence of reaction (foaming) has ceased. The resulting liquid is to be flushed with water and the area dried.

The installer must supply and install a rechargeable 12 V starting battery. The starting battery **MUST** conform to the specifications shown in the chart that follows.

Battery Specifications

Specifications	Standard	Cold Start (Less than 30 °F / -1 °C)
Volts	12 VDC	12 VDC
Amps (Minimum)	540 CCA (Cold Cranking Amps)	800 CCA (Cold Cranking Amps)
Construction	Wet Lead Acid	Wet Lead Acid
Terminal Type	Top Post Type Battery	Top Post Type Battery
Dimensions (Maximum)	BCI Size 26 or BCI Size 51	BCI Size 24



WARNING

With the battery connected, the generator could crank and start without warning resulting in death or serious injury.

- Do not connect the negative (-) cable at the battery until the installation is complete.

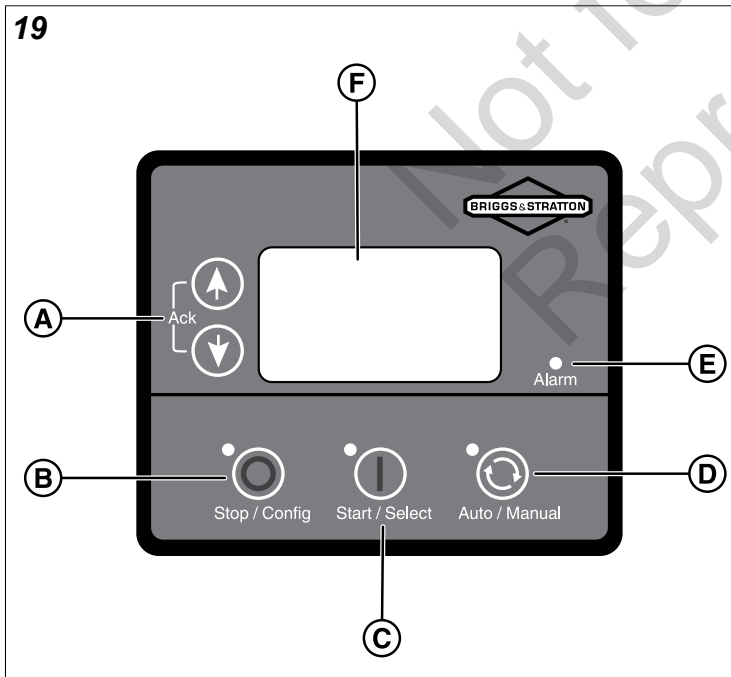
Install the battery as described in *Servicing the Battery* in the *Maintenance* section of this manual. Make sure that the NEGATIVE cable is connected last and that the red POSITIVE terminal insulator is secure.

System Controller

The generator's controller, located inside the generator housing, is shown in the image that follows (Figure 19). Brief descriptions of the controls used during installation are:

- (A) Menu/Programming Navigation Buttons
- (B) Stop/Config Button
- (C) Start/Select Button
- (D) Auto/Manual Button
- (E) Alarm
- (F) Digital Display — Displays generator mode, menu options, and alarms

NOTICE: Detailed descriptions of the controls are located in the *Description of Control Keys* section inside the online "Operation Instructions GC1030 Series GENSET Controller" manual associated with your generator.



Initial Start-Up (No Load)



WARNING

Exhaust heat/gases could ignite combustibles causing a fire, resulting in death or serious injury.

- Remove all combustible materials from in and around the generator compartment.

The unit has been set-up for NG operation at the factory. Fuel conversion, if needed, must be completed prior to performing these steps. See Fuel Conversion.

Before operating the standby generator or placing it into service, inspect the entire installation carefully. Then, begin testing the system without electrical loads connected, as shown in the steps that follow:

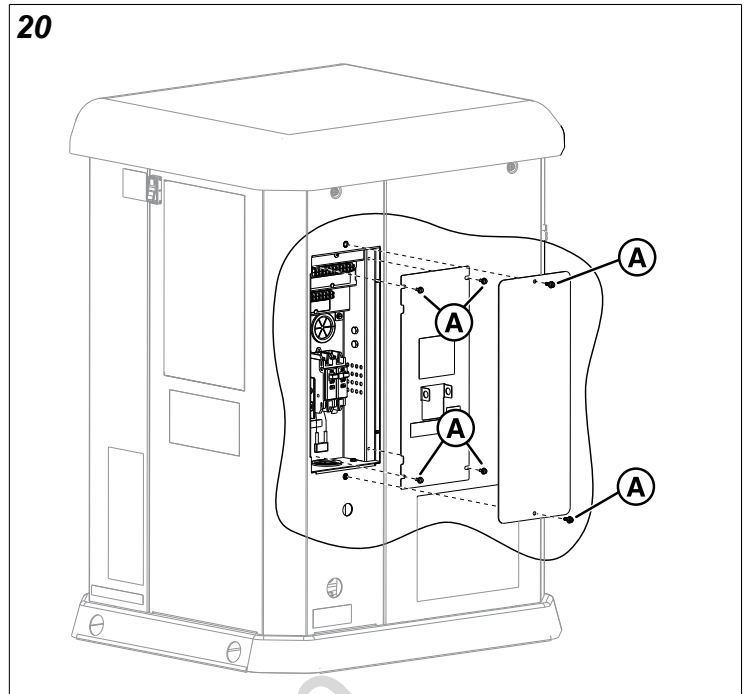
1. Remove the screws (A, Figure 20) that secure the field-connections access panels to expose unit's circuit breaker.
2. Connect an accurate multi-meter to line side of the generator's main circuit breaker.
3. Set the generator's main circuit breaker to the ON (closed) position.
4. Install the 15 Amp fuse (see fuse location in the *Features and Controls* section).
5. Push the ON/OFF switch to the ON (I) position (see switch location in the *Features and Controls* section).
6. Push the START/SELECT button on the control board. The engine will start in Low Idle Mode (LIM). Push again to bring the engine to full speed.

NOTICE: When the generator is started for the very first time, it will require that any air in the gaseous fuel lines be purged. This can cause the engine to run roughly for a few minutes

7. Listen for unusual noises, vibration or other indications of abnormal operation. Look for oil leaks while the engine runs.
8. Let the engine warm up for approximately 5 minutes to allow internal temperatures to stabilize.
9. Check the generator output at load side of circuit breaker. The voltage must be 225 - 250 Volts and the frequency must be 59 - 61 Hz.
10. Check the generator output between one generator connection lug and the neutral lug, then between the other generator connection lug and the neutral lug. In both cases, voltage reading must be between 112 and 125 Volts.
11. Push the STOP/CONFIG button on the control board. The engine will enter cool-down mode for approximately 5 minutes. To bypass cool-down mode, push the the STOP/CONFIG button again to stop the engine.
12. Install the circuit breaker cover.

13. When the test is completed and successful, install the front panel and the roof if they were removed.

20



Operation

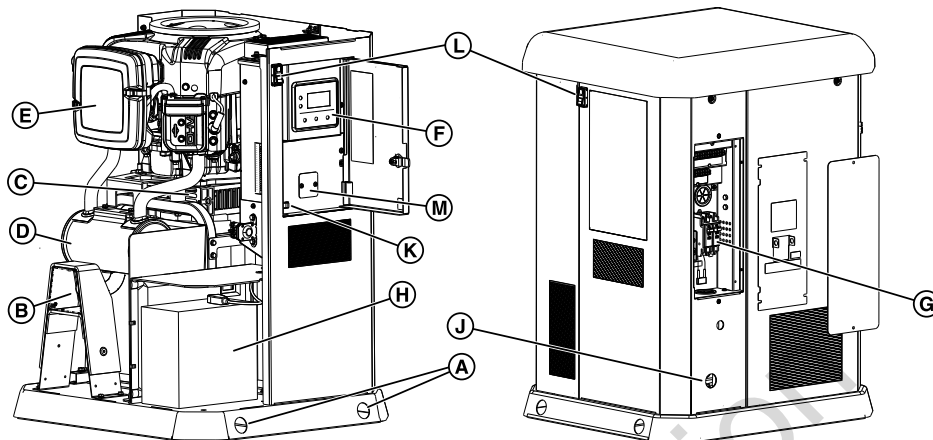
WARNING

Failure to read and obey the operator's manual, all warnings, and operating instructions could result in death or serious injury.

Features and Controls

13kW Generator (Figure 21)

21



Generator is shown with the roof and access covers removed for clarity.

Legend:

- (A) Lifting Holes — Provided at each corner for lifting generator.
- (B) Exhaust Port — High-performance muffler lowers the engine noise to comply with most residential codes.
- (C) Alternator — An electrical machine that generates an alternating current.
- (D) Muffler — A device that reduces engine noise.
- (E) Air Cleaner — Uses a dry type filter element to protect the engine by filtering dust and debris out of intake air.
- (F) Controller — Used for various test, operation and maintenance functions.
- (G) Circuit Breaker — Protects the system from short circuits and over-current conditions.
- (H) Battery Compartment — For the installer supplied 12 Volt DC battery that provides power to start the engine.
- (J) Fuel Inlet Port — Attach appropriate fuel supply to generator here.
- (K) Fuse — Protects the DC electrical system from short circuits and over-current conditions.
- (L) ON / OFF Switch — Used to turn the generator on (I) and off (O).
- (M)* Battery Charger LED View Window — Monitors output voltage. See the table that follows for information on labels and colors.

* Battery Charger LED Lights and Meanings

LABEL	COLOR	DEFINITION
MANUAL BOOST	Red	Manual Boost Mode - Output voltage is 14.4V
AUTO BOOST	Green	Bulk Charge - Output voltage at 13.7V, utility charging battery
FLOAT	Blue	Battery Charged - trickle at under 13.2V
REV BATT	Red	Reverse battery mode - Battery charger connections reversed

NOTES:

1. Continuous switching between Blue & Green = Charger Output Short Circuit
2. No LEDs = Utility Power Loss

Important Owner's Considerations



WARNING

Engine exhaust contains carbon monoxide, a poisonous gas that could kill you in minutes. You cannot smell it, see it, or taste it. Even if you do not smell exhaust fumes, you could still be exposed to carbon monoxide gas.

- Carbon monoxide detector(s) **MUST** be installed and maintained indoors according to the manufacturer's instructions/recommendations. Smoke alarms cannot detect carbon monoxide gas.
- If you start to feel sick, dizzy, weak, or your carbon monoxide alarm sounds while using this product, get to fresh air right away. Call emergency services. You may have carbon monoxide poisoning.

Engine Oil

The engine ships from the factory pre-run and filled with full synthetic oil (API SJ/CF 5W-30). This allows for system operation in a wide range of temperature and climate conditions. Before starting the engine, check the oil level as described in the *Maintenance* section.

NOTICE: Any attempt to crank or start the engine without it being correctly filled with the recommended oil will result in equipment failure.

- Damage to equipment resulting from failure to obey this instruction will void engine and generator warranty.

Battery

The installer must supply a rechargeable 12 VDC starting battery. See *Battery* in the *Installation* section in this manual.

15 amp Fuse

Make sure that the fuse is correctly installed before operating your generator.

Automatic Operation Sequence

The generator's controller monitors utility voltage. If the utility voltage drops below a preset level, the controller signals the engine to crank and start. When the utility voltage restores above a preset voltage level, the engine receives signals to shut down. The actual system operation is not adjustable and undergoes sequencing by sensors and timers on the controller in the following manner:

Utility Voltage Dropout Sensor

- This sensor monitors the utility source voltage.
- If the utility source voltage drops below approximately 88% of the nominal supply voltage, the sensor initiates a timer.
- The engine cranks and starts once the timer has expired.

Utility Voltage Pickup Sensor

This sensor monitors the utility voltage. When the utility voltage restores above approximately 90% of the nominal

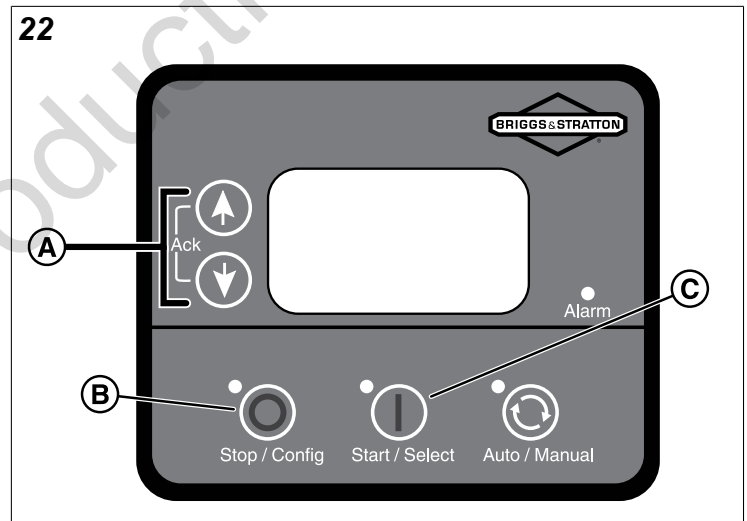
source voltage, a shut-down timer initiates and the engine cools down.

Engine Cool-down Timer

When the system senses the utility power, the load transfers to the utility source and the engine enters a five-minute cool-down period.

Set the Exercise Timer

1. Push and hold the STOP/CONFIG button (B, Figure 22).
2. Push the START/SELECT button (C) to enter WRITE MODE.
3. Enter the password (0000) by using the arrow keys (A) and the START/SELECT button (C).
4. In the CONFIGURATION screen use the arrow keys (A) to find "MODULE."
5. Push the START/SELECT button (C) and using the arrow keys (A) find "AUTO EXERCISE."
6. Push the START/SELECT button (C) and using the arrow keys (A) select each parameter and choose the desired settings.
7. To save your settings when completed, push and hold the STOP/CONFIG button (B) until "Saving Settings" shows on the display.



A detailed list of all the on screen parameters is located in the *Configuration of GCU* section inside the online "*Operation Instructions GC1030 Series GENSET Controller*" manual associated with your generator.

Maintenance

Servicing the System – Before and After



WARNING

Generator and utility voltage could cause electrical shock or burn resulting in death or serious injury.

- DO NOT allow unqualified persons to operate or service this equipment.



WARNING

With the battery connected, the generator could crank and start without warning resulting in death or serious injury.

- Before servicing, stop the generator and disconnect the negative (-) cable at the battery.

BEFORE doing maintenance on your generator, you **MUST** do the steps that follow:

1. Push the ON/OFF switch to the OFF (0) position (see switch location in the *Features and Controls* section).
2. Remove utility power to the generator to de-energize the battery charger.
3. Unlock and open or remove the roof as described in the *Access Panels: Installation and Removal* section.
4. Remove all of the access panels necessary to do the maintenance on your generator as described in the *Access Panels: Installation and Removal* section
5. Disconnect the negative (-) cable at the battery
6. Remove the 15 amp fuse from the fuse holder (see fuse location in the *Features and Controls* section)
7. Complete the service steps as specified.

AFTER doing maintenance on your generator, you **MUST** do the steps that follow:

8. Connect the negative (-) cable at the battery.
9. Install all of the access panels that were removed on your generator as described in the *Access Panels: Installation and Removal* section
10. Install the 15 amp fuse into the fuse holder (see fuse location in the *Features and Controls* section).
11. Roof and controller: If the generator's controller is located on one of the side panels of the enclosure – install the roof if it was removed (see the *Access Panels: Installation and Removal* section). If the generator's controller is located under the roof – do not close or install the roof yet.
12. Restore utility power to the generator.
13. Push the ON/OFF switch to the ON (I) position (see switch location in the *Features and Controls* section)
14. Access the generator's controller and set the generator mode to AUTO

15. Close and lock the controller access door or close and lock the roof as described in the *Access Panels: Installation and Removal* section

NOTICE This depends on where the generator's controller is located. See the *Access Panels: Installation and Removal* section.

Maintenance Schedule

Obey the hourly or calendar intervals of operation, whichever occurs first.

Every 8 Hours of Operation or Daily
Clean Debris
Check the Engine Oil Level
Every 100 Hours of Operation or Annually
Change the Air Filter
Change the Engine Oil and Filter
Replace the Spark Plugs
Check the Valve Clearance
Check the Circuit Breaker Torques
Annually
Clean the Oil Cooler Fins

Regular maintenance improves the performance and extends the life of the generator. See an authorized dealer for service.

Generator Maintenance

The generator's warranty does not cover items that have been subjected to operator abuse or negligence. To receive full value from the warranty, the operator must maintain the generator as instructed in this manual.

The generator requires the owner to make some adjustments periodically to correctly maintain it.

Do all of the service and adjustments at least once each season. Obey the requirements in the *Maintenance Schedule* section.

Keep the unit clean. Operate the unit in an environment that is free of excessive dust, dirt, moisture, or any corrosive vapors. Do not allow the cooling air inlets and outlets on the enclosure to become clogged with snow, leaves, or other foreign material. To prevent generator damage caused by overheating, keep the enclosure cooling inlets and outlets clean and unobstructed at all times.

Examine the cleanliness of the unit frequently and clean it when dust, dirt, oil, moisture, or other foreign substances appear on its exterior and interior surface. Inspect the air inlet and outlet openings inside and outside the enclosure to make sure that no blockages are in the airflow.

NOTICE: Incorrect treatment of generator can damage it and shorten its life.

- DO NOT expose generator to excessive moisture, dust, dirt, or corrosive vapors.
- DO NOT insert any objects through cooling slots.

Clean the Generator



WARNING

Exhaust heat/gases could ignite combustibles causing a fire, resulting in death or serious injury.

- Keep the area near the generator clean and free of debris.

NOTICE: DO NOT use direct spray from a garden hose to clean the generator. Water can enter the engine and the generator and cause damage.

NOTICE: Periodically inspect the engine exterior for contamination and potential damage from dirt, leaves, rodents, spider webs, insects, etc. and remove.

1. **Before** you clean your generator, you **MUST** do steps 1–6 in the *Servicing the System* section and then continue to step 2 in this section.
2. Clean the generator using the steps that follow:
 - a. Wipe the exterior surfaces clean with a damp cloth.
 - b. Use a soft bristle brush and vacuum cleaner to loosen and pick up dirt and debris. Use low-pressure air (not to exceed 25 psi or 175 kPa) to blow away dirt and debris.
 - c. Clear any snow, leaves, or debris from the air inlets and outlets. Keep these openings unobstructed to prevent generator damage caused by overheating.
3. **After** you clean your generator, you **MUST** do steps 8–15 in the *Servicing the System* section.

Engine Maintenance

Engine Oil

Use only Briggs & Stratton® SAE 5W-30 full synthetic engine oil. Other full synthetic high-quality detergent oils are acceptable if classified for service SJ or higher.

Check Engine Oil Level

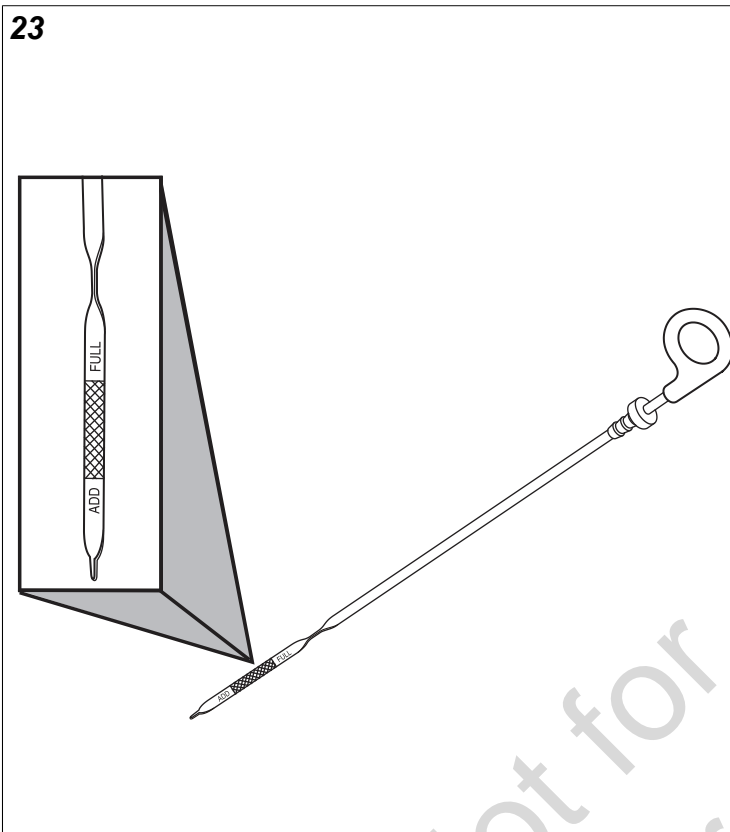
NOTICE The dipstick or the markings on the dipstick (Figure 23) can look different than the one with your model of generator.

Maintain the oil level between the “ADD” and the “FULL” marks on the dipstick. Before you check the oil level, follow these steps to make sure that an accurate reading appears on the dipstick:

Oil must be maintained between the “ADD” and the “FULL” marks on the dipstick. To make sure that an accurate reading is shown on the dipstick, make sure the following steps are taken before you check the oil level.

1. **Before** you do engine maintenance on your generator, you **MUST** do steps 1–6 in the *Servicing the System* section and then continue to step 2 in this section.
2. If the generator was recently operating, wait five minutes for the oil to drain back into the oil pan.

- Remove the dipstick. Wipe it with a clean cloth or paper towel. Then, push the dipstick all the way into the dipstick tube.
- Remove the dipstick and note the amount of oil on it. The oil must reach a level between the “ADD” and “FULL” marks on the dipstick.
- If the oil level is below the “ADD” mark (Figure 23), install the dipstick and proceed to the next step.



- Remove the oil filler cap from the valve cover.
- Add the required amount of oil to bring the level up to (but not over) the “FULL” mark on the dipstick. Install the oil fill cap on the valve cover and wipe up any spilled oil.
- After** you do engine maintenance on your generator, you **MUST** do steps 8–15 in the *Servicing the System* section.

Change the Oil and the Oil Filter

NOTICE: Change the oil while the engine is still warm from operating

- Before** you change the oil and the oil filter on your generator, you **MUST** do steps 1–6 in the *Servicing the System* section and then continue to step 2 in this section.
- Put the oil drain hose into an approved container.
- Remove the brass fitting from the end of the oil drain hose.
- Replace the brass fitting on the hose when the oil has drained.
- Put an approved container beneath the oil filter area.
- Remove the oil filter and dispose of it correctly.

- Before installing a new oil filter, lightly lubricate the oil filter gasket with fresh and clean oil.
- Install the oil filter by hand until the gasket contacts the oil filter adapter, then tighten the oil filter $\frac{1}{2}$ to $\frac{3}{4}$ turn.
- Add the required amount of oil to bring the level up to (but not over) the “FULL” mark on the dipstick. Install the oil filler cap and wipe up any spilled oil.
- After** you change the oil and the oil filter on your generator, you **MUST** do steps 8–15 in the *Servicing the System* section.

Engine Oil

The engine is filled with full synthetic oil (API SJ/CF 5W-30). This oil allows for system operation in the widest range of temperature and climate conditions.

We recommend the use of Briggs & Stratton® SAE 5W-30 full synthetic engine oil. Other full synthetic high-quality detergent oils are acceptable if classified for service SJ or higher. Do not use special additives.

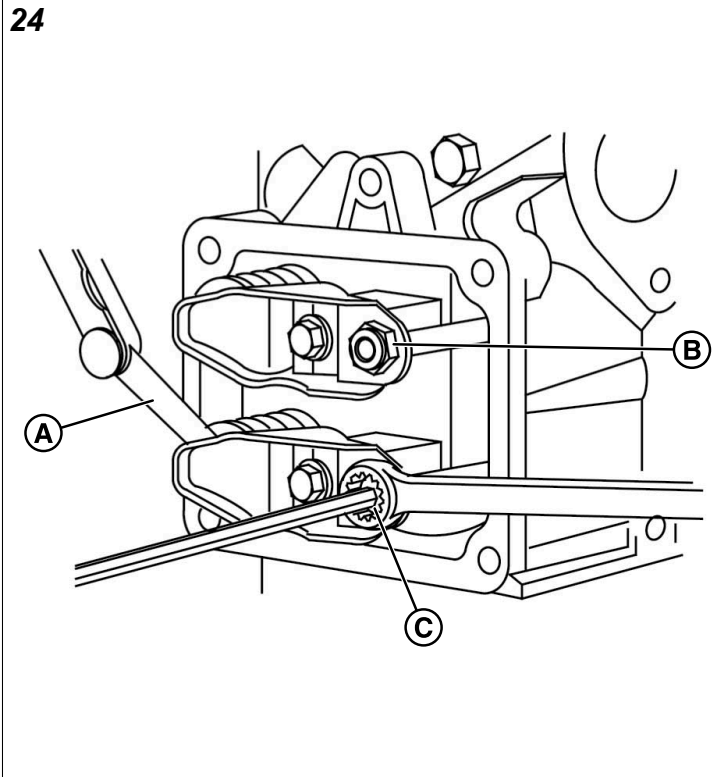
	<p>An acceptable oil at all temperatures includes full synthetic oil that:</p> <ul style="list-style-type: none"> Meets International Lubricant Specification Advisory Committee (ILSAC) GF-2 standards Carries the API certification mark Features an API service symbol with “SJ/CF energy conserving” or higher <p>Using full synthetic oil does not alter the required oil change intervals described in the <i>Operation</i> section.</p>
--	---

Adjust Valve Clearance

The valve lash must be checked every 100 hours of operation. Measure the valve clearance with the engine cold. To adjust the valve clearance, do the steps that follow:

- Before** you adjust the valve lash on your generator, you **MUST** do steps 1–6 in the *Servicing the System* section and then continue to step 2 in this section.
- Remove both spark plugs to ease manual rotation of engine crankshaft.
- Turn crankshaft counterclockwise until the piston is at *Top Dead Center* on the compression stroke.
- Set the No. 1 cylinder at $\frac{1}{4}$ (6mm) past Top Dead Center (TDC) on the compression stroke.
- Using a feeler gage (A, Figure 24), measure the valve clearance.
- For proper valve clearance for both the intake and exhaust see *Engine Specifications* Section.
- Adjust the clearance by loosening the lock nut (B), then turn the adjusting screw (C).
- Once the clearance is properly set, hold the adjusting screw while torquing the lock nut to 70 in-lbs (8Nm).
- Repeat these steps for cylinder No. 2.

10. **After** you adjust the valve lash on your generator, you **MUST** do steps 8–15 in the *Servicing the System* section.



Electronic Governor System

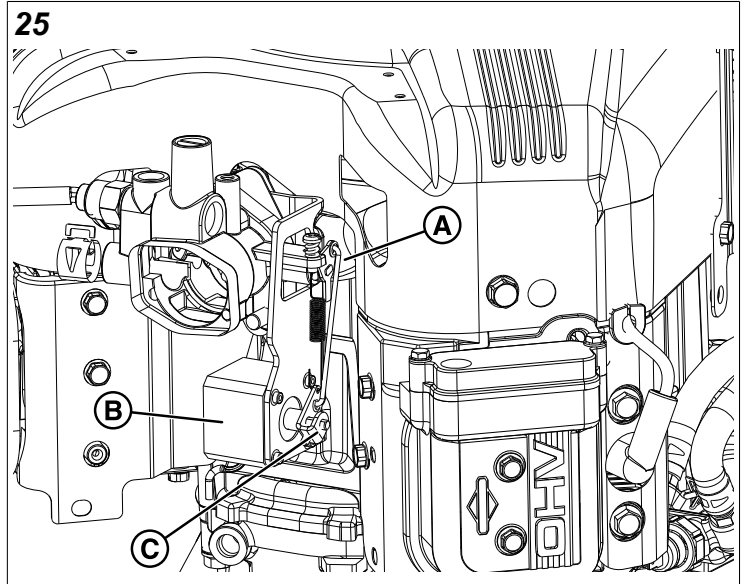
The engine electronic governor system offers improved control and increased generator performance compared to mechanically governed systems. The result is a smooth steady-state operation without the “hunting” common to many mechanical governors. The system also reduces speed variations under engine loading and unloading and significantly reduces frequency fluctuation when the engine runs under higher loads.

The electronic governor system is composed of a stepper motor (B, Figure 25), stepper motor throttle control linkages (C), and throttle side linkage (A). The generator controller contains a digital controller that processes engine speed information and sends appropriate commands to the stepper motor to control the position of the engine throttle.

Since the electronic governing system controls the engine throttle demand based on generator load, the following service codes and/or conditions could arise from an electronic governing system issue:

- Engine does not start
- Overspeed
- Under-frequency
- Unstable no-load engine control

While troubleshooting any of these conditions, use the controller’s actuator test to initiate a verification of the electronic governor system.



Electronic Governor Check

The generator has an electronic governing check feature that will turn on the stepper motor and move the throttle linkage clockwise and counterclockwise within the throttle limits. The test will rotate the stepper motor and move the throttle arm between the wide open throttle and dead idle limits for up to ten seconds. This check lets you visually verify whether or not the stepper motor functions correctly and whether or not the control linkages are connected. The engine will not attempt to start during this test. If the stepper motor does not move or if a linkage binds, the generator requires service.

NOTICE: If stepper motor does not move, make sure the stepper motor connector is attached.

Service the Spark Plugs

WARNING 

Accidental engine spark can cause an electric shock, fire or explosion and could result in entanglement, traumatic amputation or laceration.

Before you make adjustments or repairs:

- Disconnect all spark plug wires and keep them away from the spark plugs.
- Disconnect the battery wire from the negative battery terminal (only engines with electric start).
- Use only the correct tools.

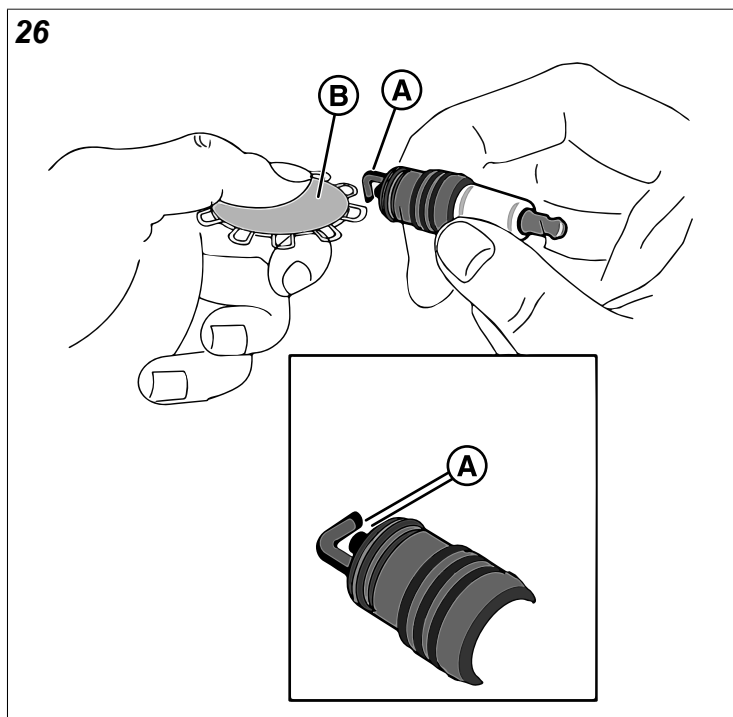
When you check for spark:

- Use an approved spark plug tester.
- Do not check for spark with the spark plug removed.

Changing the spark plugs will help your engine to start easier and operate better.

1. **Before** you service the spark plugs on your generator, you **MUST** do steps 1–6 in the *Servicing the System* section and then continue to step 2 in this section.
2. Clean the area around spark plugs.

3. Remove and inspect spark plugs.
4. Check electrode gap (A, Figure 26) with wire feeler gauge (B) and reset the spark plug gap to recommended gap if necessary (see *Engine Specifications* section).



5. Replace the spark plugs if the electrodes are pitted, burned or the porcelain is cracked. Use the recommended replacement spark plugs (see *Engine Specifications* section).
6. Install the spark plugs and tighten them to 180 in-lb (20 N·m).
7. **After** you service the spark plugs on your generator, you **MUST** do steps 8–15 in the *Servicing the System* section.

Engine Air Cleaner



Gaseous vapors are flammable and explosive. Fire or explosion could result in burns or death.

- Do not start and operate the engine with the air cleaner assembly (if equipped) or the air filter (if equipped) removed.
1. **Before** you service the engine air cleaner on your generator, you **MUST** do steps 1–6 in the *Servicing the System* section and then continue to step 2 in this section.
 2. Remove filter cartridge.

3. Clean the outlet tube and check the dust unloader valve (if equipped). Use a clean cloth to wipe the filter sealing surface and the outlet tube surfaces. Remove all contaminants before inserting the new filter. Do not damage the sealing area on the tube. Check and squeeze the dust unloader valve attached to the service cover and make sure it is flexible and not inverted, damaged, or plugged.
4. Clean the filter. Use a soft bristle brush to loosen dirt and a vacuum cleaner to remove dirt and debris. Replace the filter cartridge if you find any holes in the filter media.
5. Install the clean filter correctly. Insert the filter carefully. Seat the filter by hand, making sure it is completely seated in the air cleaner housing before putting the cover in place.
6. Install the service cover. Make sure that all of the mounting bands, clamps, bolts, and connections in the air cleaner system are tight. Examine the piping for holes and repair them.
7. **After** you service the engine air cleaner on your generator, you **MUST** do steps 8–15 in the *Servicing the System* section.

Exhaust System Maintenance



Contact with muffler area could cause burns resulting in serious injury.

- DO NOT touch hot parts and AVOID hot exhaust gases.
- Allow equipment to cool before touching.

Check the following when inspecting the exhaust system:

- Inspect the exhaust manifold at the cylinder head for leaks.
- Check that all retaining bolts and shields (if used) are in place.
- Inspect the fasteners between the manifold and the exhaust pipe to make sure they are tight and that there are no exhaust leaks. Repair leaks as necessary.
- Inspect exhaust pipe connection for leaks. Repair leaks as necessary.

It is a violation of California Public Resource Code, Section 4442, to use or operate the engine on any forest-covered, brush-covered, or grass-covered land unless the exhaust system is equipped with a spark arrester, as defined in section 4442, maintained in effective working order. Other states or federal jurisdictions may have similar laws; reference Federal Regulation 36 CFR Part 261.52.

Fuel System Maintenance



WARNING

Propane and Natural Gas are extremely flammable and explosive, which could cause burns, fire or explosion resulting in death or serious injury.

- Examine the fuel system periodically.
- NO leakage is permitted.
- DO NOT operate engine if smell of fuel is present.

Pressure Regulator

The pressure and regulator components have been specifically designed and calibrated to meet the engine's fuel system requirements

If the regulator fails to operate or develops a leak, repair or replace it with the correct OEM recommended replacement parts. When examining the regulator, check the following:

- Check for fuel leaks at the inlet and outlet fittings.
- Check for fuel leaks in the regulator body.
- Make sure the regulator is correctly mounted and that the mounting bolts are tight.
- Examine the regulator for external damage.

Mixer and Throttle Control Device

The mixer and throttle body components have been specifically designed to meet the engine's fuel system requirements.

A dirty air filter can significantly alter the mixer performance. Make sure the air filter is clean. When you examine the mixer and throttle body, check the following:

- Check for leaks at all the fittings.
- Make sure the mixer and throttle body are securely mounted.
- Examine and clean the air filter element according to the recommended service intervals listed in the *Maintenance Schedule* section.
- Examine the air inlet hose connection and clamp. Examine the hose for cracking, splitting, or chafing. Replace the hose if necessary.
- Examine the fuel lines for cracking, splitting, or chafing. Replace fuel lines if necessary.
- Examine the throttle body and intake manifold for leaks. Replace if necessary.

Alarms (Service Code Detection System)

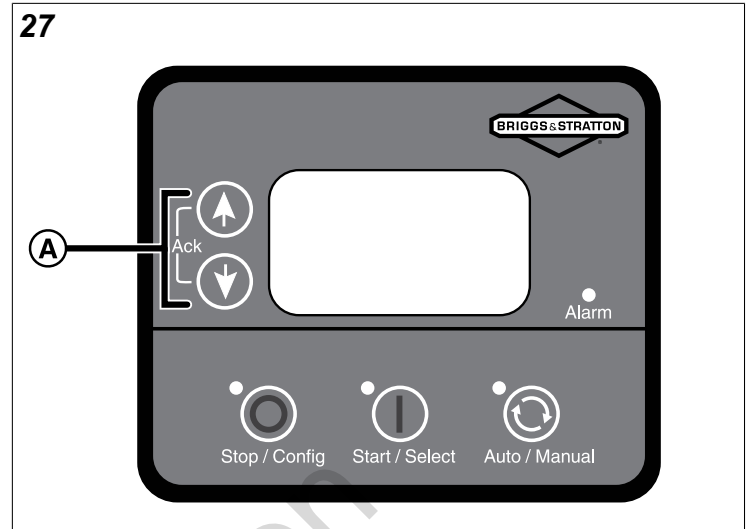
The generator operates for long periods of time without an operator present. As a result, the system features sensors that automatically stop the generator in potentially damaging conditions, such as low oil pressure, high temperature, overspeed, and other conditions.

Service alarm descriptions appear in the digital display of the generator's controller.

See the *Alarms* section of the separate online manual titled *Operation Instructions GC1030 Series GENSET Controller* for details on service alarm descriptions.

Acknowledge and Reset the Alarms

Push the up and down arrows (A, Figure 27) simultaneously to reset the alarm.



Electrical System Maintenance

Wiring and Connections

The electrical system connectors and grounds require good connections. When inspecting the electrical system, check the following:

- Examine the positive (+) and the negative (-) battery cables for corrosion, rubbing, chafing, burning. Make sure that both ends have tight connections.
- Examine the battery for cracks or damage to the case. Replace if necessary.
- Examine the engine wire harness for rubbing, chafing, pinching, burning, and cracks or breaks in the wiring.
- Make sure that the engine harness connectors are correctly locked in.
- Examine the ignition coil wire for hardening, cracking, chafing, burning, separation, and split boot covers.
- Examine the spark plug wires for hardening, cracking, chafing, burning, separation, and split boot covers.
- Replace the spark plugs at the required intervals listed in the *Maintenance Schedule* section.
- Make sure that all electrical components are securely mounted to the engine or chassis.
- Make sure that any additional electrical services installed by the owner are correctly installed in the system.

Servicing the Battery

A person with a knowledge of batteries and their required precautions must service the battery or supervise the

servicing of the battery. Keep unauthorized personnel away from the batteries.



WARNING

Battery electrolyte fluid contains acid and is extremely caustic. Contact with battery contents could cause severe chemical burns.

- DO NOT open or mutilate the battery.
- Wear protective goggles, rubber apron, rubber boots and rubber gloves.
- Immediately wash electrolyte from skin with water.
- If electrolyte contacts eyes, immediately flush with water and seek medical attention.
- Spilled electrolyte is to be washed down with an acid neutralizing agent.
- A common practice is to use a solution of one pound (500 grams) bicarbonate of soda to one gallon (4 liters) of water. The bicarbonate of soda solution is to be added until the evidence of reaction (foaming) has ceased. The resulting liquid is to be flushed with water and the area dried.



WARNING

Storage batteries give off explosive hydrogen gas during recharging. Slightest spark could ignite hydrogen and cause explosion, resulting in death or serious injury.

- DO NOT dispose of battery in a fire. Recycle battery.
- DO NOT allow any open flame, spark, heat, or lit cigarette during and for several minutes after charging a battery.
- Discharge static electricity from body before touching batteries by first touching a grounded metal surface.



WARNING

A battery's high short circuit current could result in serious injury.

- Remove watches, rings, or other metal objects.
 - Use tools having insulated handles.
 - Disconnect charging source prior to connecting or disconnecting battery terminals.
 - Do not lay tools or metal parts on top of batteries.
 - Disconnect the negative (-) cable at the battery during installation and maintenance.
1. Push the ON/OFF switch to the OFF (0) position (see switch location in the *Features and Controls* section).
 2. Remove utility power to the generator to de-energize the battery charger.
 3. Unlock and open or remove the roof as described in the *Access Panels: Installation and Removal* section.
 4. Remove the 15 amp fuse (see fuse location in the *Features and Controls* section).
 5. Disconnect the negative (-) cable at the battery.

6. Disconnect the positive (+) cable at the battery.
7. Service or replace the battery if necessary.
8. Connect the positive (+) cable at the battery.
9. Connect the negative (-) cable at the battery.
10. Install the 15 amp fuse into the fuse holder (see fuse location in the *Features and Controls* section).
11. Roof and controller: If the generator's controller is located on one of the side panels of the enclosure – install the roof if it was removed (see the *Access Panels: Installation and Removal* section). If the generator's controller is located under the roof – do not close or install the roof yet
12. Restore utility power to the generator.
13. Push the ON/OFF switch to the ON (I) position (see switch location in the *Features and Controls* section).
14. Access the generator's controller and set the generator mode to AUTO.
15. Close and lock the controller access door or close and lock the roof as described in the *Access Panels: Installation and Removal* section.

NOTICE This depends on where the generator's controller is located. See the *Access Panels: Installation and Removal* section.

Replacing the Battery

When replacing batteries, use the same number and type of batteries. See the *Battery Specifications* chart in the *Battery* section.

1. Push the ON/OFF switch to the OFF (0) position (see switch location in the *Features and Controls* section).
2. Remove utility power to the generator to de-energize the battery charger.
3. Unlock and open or remove the roof as described in the *Access Panels: Installation and Removal* section.
4. Remove the 15 amp fuse (see fuse location in the *Features and Controls* section).
5. Disconnect the negative (-) cable at the battery.
6. Disconnect the positive (+) cable at the battery.
7. Remove the battery and install replacement battery.



DON'T POLLUTE. CONSERVE RESOURCES.
RETURN USED BATTERY TO RECYCLING
COLLECTION CENTER.

8. Connect the positive (+) cable at the battery.
9. Connect the negative (-) cable at the battery.
10. Install the 15 amp fuse into the fuse holder (see fuse location in the *Features and Controls* section).
11. Roof and controller: If the generator's controller is located on one of the side panels of the enclosure – install the roof if it was removed (see the *Access Panels: Installation and Removal* section). If the generator's controller is located under the roof – do not close or install the roof yet.

12. Restore utility power to the generator.
13. Push the ON/OFF switch to the ON (I) position (see switch location in the *Features and Controls* section).
14. Access the generator's controller and set the generator mode to AUTO.
15. Close and lock the controller access door or close and lock the roof as described in the *Access Panels: Installation and Removal* section.

NOTICE This depends on where the generator's controller is located. See the *Access Panels: Installation and Removal* section.

Charging the Battery

If it is necessary to charge the battery, proceed as follows:

1. Push the ON/OFF switch to the OFF (O) position (see switch location in the *Features and Controls* section).
2. Remove utility power to the generator to de-energize the battery charger.
3. Unlock and open or remove the roof as described in the *Access Panels: Installation and Removal* section.
4. Remove the 15 amp fuse (see fuse location in the *Features and Controls* section).
5. Disconnect the negative (-) cable at the battery.

NOTICE Failure to disconnect negative battery cable could result in equipment failure. DO NOT attempt to jump start the generator. Damage to equipment resulting from failure to follow this instruction will void engine and generator warranty.

6. Charge the battery with the battery charger at 2 amps until the battery holds 12 V. DO NOT exceed 13.7 V when charging the battery.

NOTICE DO NOT use a battery booster to quick charge a low battery.

7. Connect the negative (-) cable at the battery.
8. Install the 15 amp fuse into the fuse holder (see fuse location in the *Features and Controls* section).
9. Roof and controller: If the generator's controller is located on one of the side panels of the enclosure – install the roof if it was removed (see the *Access Panels: Installation and Removal* section). If the generator's controller is located under the roof – do not close or install the roof yet.
10. Restore utility power to the generator.
11. Push the ON/OFF switch to the ON (I) position (see switch location in the *Features and Controls* section).
12. Access the generator's controller and set the generator mode to AUTO.
13. Close and lock the controller access door or close and lock the roof as described in the *Access Panels: Installation and Removal* section.

NOTICE This depends on where the generator's controller is located. See the *Access Panels: Installation and Removal* section.

Not for
Reproduction

Troubleshooting

Troubleshooting Table

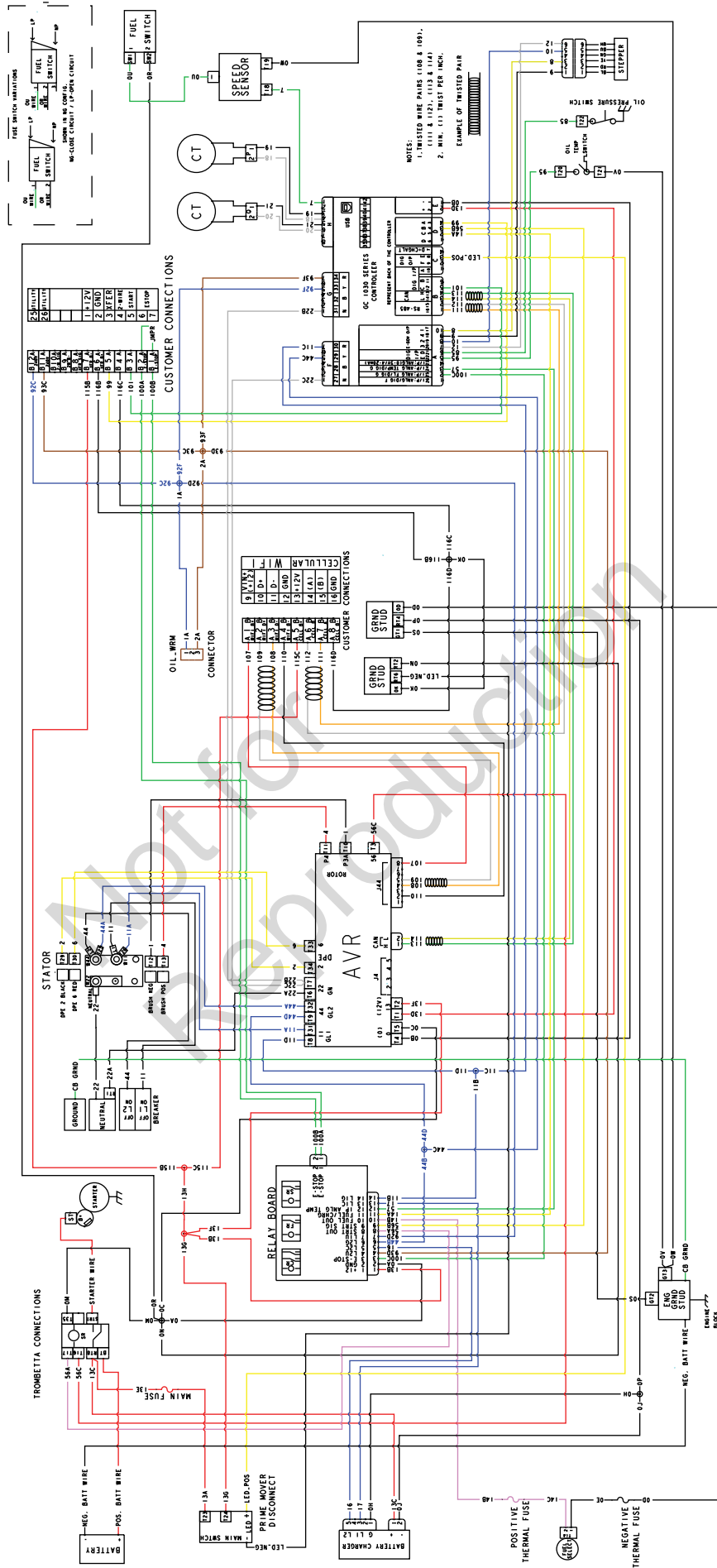
See the *Alarms* section of the separate online manual titled *Operation Instructions GC1030 SERIES GENSET Controller* for details on service alarm description and causes. Call 800-732-2989 or visit www.briggsandstratton.com for assistance.

PROBLEM	CAUSE	CORRECTION
The engine is running, but no AC output is available.	<ol style="list-style-type: none"> 1. The Circuit breaker is open or defective. 2. An alarm is showing on the controller digital display. 3. The wiring connections are poor or the transfer switch is defective. 	<ol style="list-style-type: none"> 1. Reset or replace circuit breaker. 2. See the separate online manual titled <i>Operation Instructions GC1030 SERIES GENSET Controller</i> for details. Contact the local service facility. 3. Check and repair it or contact local service facility.
The engine runs well at no-load but "bogs down" when loads are connected.	<ol style="list-style-type: none"> 1. The generator is overloaded. 2. There is a short circuit in a connected load. 3. A generator circuit is shorted. 4. The fuel pressure or mixture is incorrect. 5. The fuel line between regulator and engine is kinked. 6. The air filter is clogged. 	<ol style="list-style-type: none"> 1. Remove one or more loads. 2. Disconnect the shorted electrical load. 3. Contact the local service facility. 4. See the <i>Fuel Installation Plan</i> section in this manual. 5. Remove the kink. Replace the line if necessary. 6. Clean or replace the air filter.
The engine will not start; or it starts and runs rough.	<ol style="list-style-type: none"> 1. 15 amp fuse is missing or blown. 2. The thermal fuse(s) are blown. 3. The fuel supply is turned off or depleted. 4. The fuel selection on the controller and mixer is incorrect. 5. Failed battery. 6. The air filter is clogged. 7. The throttle linkage is binding. 	<ol style="list-style-type: none"> 1. Install a new 15 amp fuse. See the <i>Features and Controls</i> section. Replace the thermal fuse(s). 2. Replace thermal fuse(s). 3. Open the fuel valve(s) and check propane tank. 4. Check the controller profile and set it to the correct profile. Check the mixer screws and set them to the correct positions. 5. Replace the battery. 6. Clean or replace the air filter. 7. Check the linkage.
The engine shuts down during operation.	<ol style="list-style-type: none"> 1. The fuel supply is turned off or depleted. 2. An alarm is showing on the controller digital display. 	<ol style="list-style-type: none"> 1. Check the fuel valves and fill propane tank. 2. See the separate online manual titled <i>Operation Instructions GC1030 SERIES GENSET Controller</i> for details. Contact the local service facility.
The circuits lose power.	<ol style="list-style-type: none"> 1. A generator circuit breaker is open. 2. The transfer switch is having problems. 	<ol style="list-style-type: none"> 1. Reset the circuit breaker. 2. See the manual for the transfer switch.
The unit does not exercise.	<ol style="list-style-type: none"> 1. The control board is not set to AUTO. 2. The exercise timer not set or it is set to OFF. 3. The unit date and time are not set. 4. Failed battery. 5. The 15 amp fuse is missing or blown. 	<ol style="list-style-type: none"> 1. Push the AUTO button on controller. 2. Set the exercise timer. 3. Set the unit date and time. 4. Replace the battery. 5. Install a new 15 amp fuse. See the <i>Features and Controls</i> section.
The generator undergoes excessive vibration.	<ol style="list-style-type: none"> 1. A mechanical fastener is loose. 	<ol style="list-style-type: none"> 1. Check and repair it or contact the local service facility.
An odor of fuel is present.	<ol style="list-style-type: none"> 1. Fuel leak. 	<ol style="list-style-type: none"> 1. Turn off the manual shutoff fuel valve. Contact the local service facility.
Utility power returns and unit does not stop.	<ol style="list-style-type: none"> 1. Fuses are blown in the transfer switch. 2. The five-minute cooldown is still in process. 3. Wire connection are poor or the controllers are defective. 	<ol style="list-style-type: none"> 1. Install new fuses. 2. Wait five minutes. 3. Inspect and repair the unit or contact the local service facility.

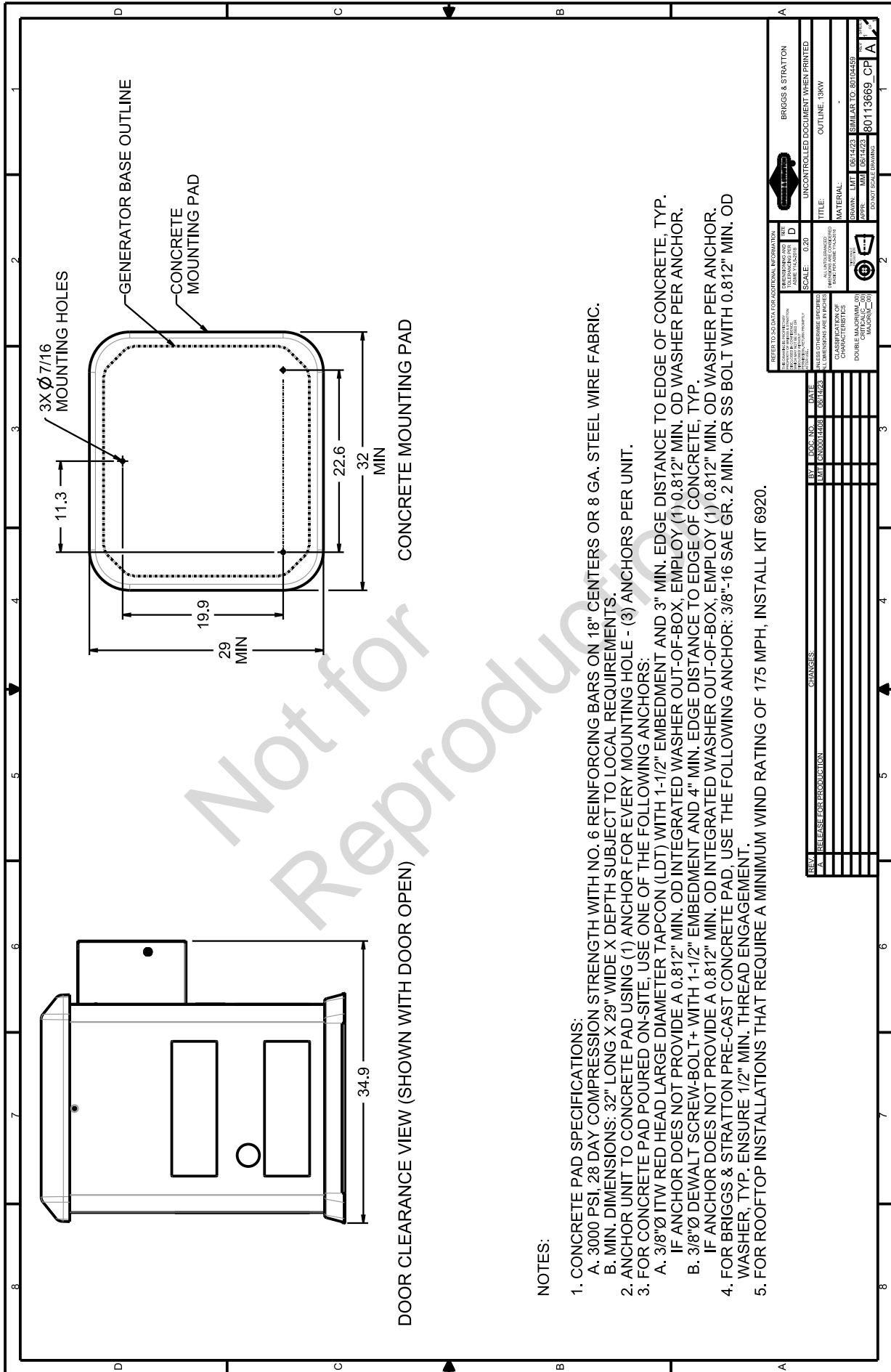
PROBLEM	CAUSE	CORRECTION
Possible issues in MANUAL MODE.	-	See the <i>Common Faults and Their Remedial Actions</i> table inside the separate online manual titled <i>Operation Instructions GC1030 SERIES GENSET Controller</i> for details.
Possible issues in AUTO MODE.	-	See the <i>Common Faults and Their Remedial Actions</i> table inside the separate online manual titled <i>Operation Instructions GC1030 SERIES GENSET Controller</i> for details.
Possible issues with Electronic Governing.	-	See the <i>Common Faults and Their Remedial Actions</i> table inside the separate online manual titled <i>Operation Instructions GC1030 SERIES GENSET Controller</i> for details.

Not for
Reproduction

Wiring Diagram and Schematic



Concrete Pad Specifications



DOOR CLEARANCE VIEW (SHOWN WITH DOOR OPEN)

NOTES:

1. CONCRETE PAD SPECIFICATIONS:
 - A. 3000 PSI, 28 DAY COMPRESSION STRENGTH WITH NO. 6 REINFORCING BARS ON 18" CENTERS OR 8 GA. STEEL WIRE FABRIC.
 - B. MIN. DIMENSIONS: 32" LONG X 29" WIDE X DEPTH SUBJECT TO LOCAL REQUIREMENTS.
2. ANCHOR UNIT TO CONCRETE PAD USING (1) ANCHOR FOR EVERY MOUNTING HOLE - (3) ANCHORS PER UNIT.
3. FOR CONCRETE PAD POURED ON-SITE, USE ONE OF THE FOLLOWING ANCHORS:
 - A. 3/8"Ø ITW RED HEAD LARGE DIAMETER TAPCON (LDT) WITH 1-1/2" EMBEDMENT AND 3" MIN. EDGE DISTANCE TO EDGE OF CONCRETE, TYP.
 - B. 3/8"Ø DEWALT SCREW-BOLT+ WITH 1-1/2" EMBEDMENT AND 4" MIN. EDGE DISTANCE TO EDGE OF CONCRETE, TYP.
4. IF ANCHOR DOES NOT PROVIDE A 0.812" MIN. OD INTEGRATED WASHER OUT-OF-BOX, EMPLOY (1) 0.812" MIN. OD WASHER PER ANCHOR.
5. IF ANCHOR DOES NOT PROVIDE A 0.812" MIN. OD INTEGRATED WASHER OUT-OF-BOX, EMPLOY (1) 0.812" MIN. OD WASHER PER ANCHOR.
6. FOR BRIGGS & STRATTON PRE-CAST CONCRETE PAD, USE THE FOLLOWING ANCHOR: 3/8"-16 SAE GR. 2 MIN. OR SS BOLT WITH 0.812" MIN. OD WASHER, TYP. ENSURE 1/2" MIN. THREAD ENGAGEMENT.
7. FOR ROOFTOP INSTALLATIONS THAT REQUIRE A MINIMUM WIND RATING OF 175 MPH, INSTALL KIT 6920.

REFER TO DATA FOR ADDITIONAL INFORMATION		DESIGNING FIRM	REV
UNCONTROLLED DOCUMENT WHEN PRINTED		SCALE	0:20
TITLE		OUTLINE, 13KW	
DRAWN		LMT	08/24/23
CHECKED		MM	08/24/23
MATERIAL		80113669_CP A	
CONCRETE PAD SPECIFICATIONS		80113669_CP A	
DOUBLE MALFORMING OR MALFORMING		80113669_CP A	

REV	BY	LOGS NO.	DATE	CHANGES
A	LMT	0203004203	08/24/23	RELEASE FOR PRODUCTION

Specifications

Generator Specifications 13kW

Rated Maximum Load Current (at 25°C/77°F, LP) at 240 Volts	54.2 Amps	
Rated AC Voltage	120/240 Volts	
Phase	Single Phase	
Rated Frequency	60 Hertz	
Generator Breaker	70 Amp	
Normal Operating Range	-20 °F (28 °C) to 104 °F (40 °C)	
Sound Rating *	Low Idle Mode	64 db(A)
	Normal Operation	70 db(A)
Shipping Weight	370 lb (168 kg)	

* Per ISO 3744. Lowest mic at 23 ft (7m) at indicated load.

Engine Specifications 13kW

Displacement	38.26 ci. (627 cc)
Bore	2.972 in. (75.5 mm)
Stroke	2.756 in. (70 mm)
Spark Plug Gap	0.020 in. (0.51 mm)
Spark Plug Torque	180 lb-in. (20 Nm)
Armature Air Gap	0.008 - 0.012 in. (0.20 - 0.30 mm)
Intake Valve Clearance	0.004 - 0.006 in. (0.10 - 0.15 mm)
Exhaust Valve Clearance	0.007 - 0.009 in. (0.15 - 0.23 mm)
Oil Type	5W30 Full Synthetic
Oil Capacity (with filter)	42 - 45 oz. (1.24 - 1.33 L)
Engine End Cover Bolt	220 lb-in (25Nm)

Índice de contenidos:

Instrucciones de seguridad importantes	40
Símbolos de seguridad y significados	40
Símbolo de alerta de seguridad y palabras de señalización	40
Mensajes de seguridad	40
Sección 15 de los reglamentos de la FCC- Información para el usuario	41
Información general	41
Gracias.....	41
Dónde encontrarnos.....	41
Para futuras referencias.....	41
Descripción del equipo.....	42
Uso del producto.....	42
Responsabilidades del instalador.....	42
Responsabilidades del propietario.....	42
Factores de instalación a considerar.....	42
Inspección de entrega.....	42
Contenido del envío.....	43
Instalación	43
Ubicación del generador.....	43
Kits para clima frío.....	49
Elevación del generador.....	49
Anclaje del generador y clasificación del viento.....	50
Ubicaciones de las entradas de electricidad y combustible.....	50
Tableros de acceso: instalación y remoción.....	50
Esquema de instalación de combustible.....	52
Conexiones del campo eléctrico.....	55
Aceite del motor.....	60
Batería.....	60
Controlador del sistema.....	60
Arranque inicial (sin carga).....	62
Operación	63
Características y controles.....	63
Consideraciones importantes del propietario.....	64
Secuencia de operación automática.....	64
Configurar el temporizador de prueba.....	64
Mantenimiento	66
Mantenimiento del servicio: Antes y después.....	66
Plan de mantenimiento.....	67
Mantenimiento del generador.....	67
Limpieza del generador.....	67
Mantenimiento del motor.....	67
Cambie el aceite y el filtro de aceite.....	68
Ajuste la luz de la válvula.....	68
Sistema de regulación electrónica.....	69
Comprobación del gobernador electrónico.....	69
Mantenimiento de las bujías.....	70

Filtro del aire del motor.....	70
Mantenimiento del sistema de escape.....	70
Mantenimiento del sistema de combustible.....	71
Dispositivo de control del mezclador y del acelerador.....	71
Alarmas (Sistema de detección de códigos de servicio).....	71
Reconozca y reinicie las alarmas.....	71
Mantenimiento del sistema eléctrico.....	72
Solución de problemas	75
Tabla de solución de problemas.....	75
Diagrama y esquema de cableado	77
Especificaciones de la plataforma de concreto	78
Especificaciones	79
Especificaciones del generador de 13 kW.....	79
Especificaciones del motor de 13 kW.....	79


Instrucciones de seguridad importantes

GUARDE ESTAS INSTRUCCIONES: este manual contiene instrucciones importantes que deben ser leídas, comprendidas y obedecidas durante la instalación de los kits del generador y/o de los accesorios.

Símbolos de seguridad y significados

Símbolo	Significado
	El símbolo de alerta de seguridad muestra un posible peligro para su integridad física.
	Lea el manual. El incumplimiento de las advertencias, las instrucciones, el manual de instalación y el manual del operador podría causar la muerte o lesiones graves.
	Explosión
	Descarga eléctrica
	Arranque automático
	Incendio
	Quemadura con químicos
	Humo tóxico
	Protección para los ojos
	Superficie caliente
	Partes giratorias

Símbolo de alerta de seguridad y palabras de señalización

El símbolo de alerta de seguridad  identifica información de seguridad sobre peligros que podrían provocar lesiones personales. Se usa una palabra de señalización (**PELIGRO**, **ADVERTENCIA**, o **PRECAUCIÓN**) para indicar la probabilidad y la gravedad potencial de las lesiones. Además, se usa un símbolo de peligro para representar el tipo de riesgo.


PELIGRO indica un riesgo que, si no se evita, **ocasionará** la muerte o lesiones graves.


ADVERTENCIA indica un riesgo que, si no se evita, **podría** ocasionar la muerte o lesiones graves.

PRECAUCIÓN indica un riesgo que, si no se evita, **podría** ocasionar lesiones menores o moderadas.

AVISO indica información que se considera importante pero que no está relacionada con un peligro.

Mensajes de seguridad

ADVERTENCIA  Este producto puede exponerlo a sustancias químicas entre las que se incluyen aceite de motor, reconocido por el estado de California como causante de cáncer; y monóxido de carbono, reconocido por el estado de California como causante de defectos de nacimiento u otros problemas reproductivos. Para obtener más información, visite www.P65Warnings.ca.gov.

ADVERTENCIA  Este producto contiene plomo y compuestos de plomo que, de acuerdo con el estado de California, ocasionan defectos de nacimiento u otros daños reproductivos. Lávese las manos luego de manipular este producto. Cáncer y daño reproductivo: www.P65Warnings.ca.gov.

AVISO: Un tratamiento inadecuado del generador podría dañarlo y acortar su vida.

- Utilice el generador sólo para los usos previstos. Consulte la sección *Uso del producto* de este manual.
- Si tiene preguntas sobre el uso previsto, póngase en contacto con su distribuidor autorizado.
- Opere el generador sólo en superficies planas.
- El flujo adecuado y sin obstrucciones del aire de refrigeración y ventilación es fundamental para la correcta operación del generador.
- Los tableros de acceso/puertas se instalan siempre que la unidad esté en funcionamiento.
- NO exponga el generador a una excesiva humedad, polvo, suciedad o vapor corrosivo.
- Esté alerta en todo momento mientras utiliza este equipo. Nunca utilice el equipo si tiene cansancio físico o mental.
- NO inserte ningún objeto a través de las ranuras de refrigeración.
- NO utilice el generador o cualquiera de sus partes como un escalón. Pisar la unidad podría causar tensión y romper partes. Esto puede dar lugar a condiciones de funcionamiento peligrosas por fugas de gases de escape, fugas de combustible, fugas de aceite, etc.
- Apague el generador si:
 - se pierde la salida eléctrica.
 - el equipo chispea, echa humo o emite llamas.
 - la unidad vibra excesivamente o hace ruidos inusuales.

Sección 15 de los reglamentos de la FCC- Información para el usuario

De acuerdo con el artículo 15.21 de las Reglas FCC, se le advierte que cambios o modificaciones realizados al producto que no hayan sido aprobados expresamente por Briggs & Stratton pueden anular su autoridad para operar el producto.

Este dispositivo cumple con el artículo 15 de las reglas FCC.

La operación está sujeta a las siguientes dos condiciones: (1) Este dispositivo puede no causar interferencia peligrosa, y (2) este dispositivo debe aceptar cualquier interferencia recibida, lo que incluye a la interferencia que pudiere causar una operación no deseada.

Este equipo fue probado y se determinó que cumple con los límites para un dispositivo digital de Clase B, de acuerdo con la Sección 15 de las Reglas FCC. Estos límites fueron diseñados para brindar una protección razonable contra la interferencia peligrosa en una instalación residencial. Este equipo genera, usa y puede irradiar energía de radiofrecuencia y, si no se instala y usa de acuerdo con las instrucciones, podría ocasionar la interferencia peligrosa de las radiocomunicaciones. Sin embargo, no se garantiza que la interferencia no ocurra en una instalación particular. Se alienta al usuario a que, en caso de que el equipo

provoque una interferencia peligrosa a la recepción de radio o televisión (lo que puede determinarse al apagar y encender el equipo), trate de corregir dicha interferencia al tomar una o más de las siguientes medidas:

- Reorientar o reubicar la antena receptora.
- Aumentar la separación entre el equipo y el receptor.
- Conectar el equipo a un tomacorriente en un circuito que no sea al cual el receptor está conectado.
- Consultar con el proveedor o un técnico experimentado en radio/TV para obtener ayuda.

Información general

Para la mayoría de las aplicaciones, el *Manual de instalación y operación* contiene la información necesaria para instalar, operar y mantener correctamente el generador. Briggs & Stratton ha hecho todo lo posible para asegurarse de que la información de este manual sea precisa y esté actualizada. Briggs & Stratton se reserva el derecho de cambiar, alterar o mejorar el producto y este documento en cualquier momento sin previo aviso.

Gracias

Gracias por comprar este generador Briggs & Stratton® de calidad. Nos complace que deposite su confianza en la marca Briggs & Stratton. Cuando se opera y mantiene de acuerdo con las instrucciones de este manual, su generador puede proporcionar muchos años de servicio confiable. Este manual contiene información de seguridad para que sea consciente de los peligros y riesgos asociados con los generadores de energía de emergencia y cómo evitarlos.

CONSERVE ESTAS INSTRUCCIONES Este manual contiene instrucciones importantes que los usuarios deben obedecer durante la instalación, operación y mantenimiento del generador y la batería.

Dónde encontrarnos

No tiene que buscar mucho para encontrar apoyo y servicio para su equipo. Hay muchos distribuidores de servicio autorizados en todo el mundo que ofrecen un servicio de calidad. También puede comunicarse con el Servicio al Cliente por teléfono, al **800-732-2989** entre las 8:00 AM y las 5:00 PM, hora central, o hacer clic en "Localizador de distribuidores" en www.briggsandstratton.com, que le proporcionará una lista de distribuidores autorizados.

Para futuras referencias

Complete la siguiente información y guárdela con su recibo. Tenga esta información a mano si necesita ponerse en contacto con su instalador o distribuidor autorizado con respecto al servicio o reparación de la unidad.

Fecha de compra: _____

Distribuidor/Vendedor: _____

Número de teléfono del Distribuidor/Vendedor:

GENERADOR:

Número de modelo: _____

Revisión del modelo: _____

Número de serie: _____

MOTOR:

Número de modelo: _____

Número de serie: _____

Descripción del equipo

AVISO: Este producto NO reúne los requisitos de un sistema de reserva de emergencia o un sistema de reserva cómo lo requiere la ley, tal como se define en la NFPA 70 (NEC).

- Los sistemas generadores de emergencia se destinan a suministrar automáticamente iluminación, energía, o ambas cosas, a las zonas y equipos designados en caso de que falle el suministro normal. Los sistemas de emergencia también pueden suministrar energía para funciones tales como la ventilación cuando sea esencial para mantener la vida, en los casos en que la interrupción actual del suministro normal produciría graves peligros para la seguridad de la vida o la salud.
- Los sistemas generadores de energía de emergencia exigidos por la ley tienen por objeto suministrar automáticamente energía a las cargas seleccionadas en caso de que se produzca una falla de la fuente normal (que pueda crear peligros o impedir las operaciones de rescate o de lucha contra incendios).

Uso del producto

Este producto es solo para uso como sistema generador opcional. Proporciona una fuente alternativa de energía eléctrica y sirve para cargas como sistemas de calefacción, refrigeración y sistemas de comunicación que, cuando se detienen durante un corte de energía, pueden causar incomodidad o inconvenientes.

Se han hecho todos los esfuerzos para garantizar que la información de este manual sea precisa y actualizada. Sin embargo, nos reservamos el derecho de cambiar, alterar o mejorar el producto y este documento en cualquier momento sin previo aviso.

Sólo los profesionales de la electricidad y la fontanería con licencia vigente pueden intentar instalar sistemas de generadores. Las instalaciones deben obedecer todos los códigos, estándares de la industria, leyes y reglamentos aplicables.

Responsabilidades del instalador

- Lea y obedezca las instrucciones de seguridad, instalación y operación en este *Manual de instalación y operación*.

- Instale solo un interruptor de transferencia aprobado por un laboratorio de pruebas reconocido a nivel nacional (NRTL) que sea compatible con el generador.
- La instalación debe obedecer todos los códigos, estándares de la industria, leyes y reglamentos aplicables.
- Deje suficiente espacio en todos los lados del generador para el mantenimiento y el servicio.
- Hable con el propietario sobre la ubicación del generador.
- Hable con el propietario sobre el monóxido de carbono (CO) y los detectores de humo. Es responsabilidad del propietario instalar y mantener detectores de humo y monóxido de carbono en el interior de acuerdo con las instrucciones y recomendaciones del fabricante.
- Asegúrese de que TODOS los manuales queden en poder del propietario después de que la instalación haya sido completada.
- La unidad debe instalarse de tal modo que se reduzca al mínimo el riesgo de contacto con las personas.

Responsabilidades del propietario

- Lea y siga las instrucciones de este *Manual de instalación y operación*.
- Siga un programa de mantenimiento regular y use el generador como se especifica en este manual.
- SE DEBEN instalar y mantener detectores de monóxido de carbono en interiores de acuerdo con las instrucciones y recomendaciones del fabricante. Los detectores de humo no detectan el gas de monóxido de carbono.
- SE DEBEN instalar y mantener detector(es) de humo en interiores de acuerdo con las instrucciones y recomendaciones del fabricante. Los detectores de monóxido de carbono no detectan el humo.

Factores de instalación a considerar

Las ilustraciones que se muestran en este manual son para circunstancias típicas. La finalidad es que se familiarice con las opciones de instalación disponibles para el generador.

Los códigos federales y locales, el aspecto, los niveles de ruido, los tipos de combustible y las distancias son factores de instalación que deben ser considerados. Recuerde que, a medida que aumenta la distancia del servicio eléctrico y el suministro de combustible gaseoso existentes, y aumenta el número de curvas en el suministro de combustible, deben hacerse compensaciones por los materiales de las tuberías y el cableado. Esto es necesario para cumplir con los códigos locales y superar las caídas de tensión eléctrica y las caídas de presión del combustible gaseoso.

Inspección de entrega

Evite daños por caídas, golpes o colisiones con la caja de envío.

Retire la caja y examine con cuidado el generador en busca de daños que puedan ocurrir durante el envío.

Si el propietario ve una pérdida o un daño en el momento de la entrega, debe indicarle a la persona o personas que realizaron la entrega que documenten la pérdida o el daño en la factura de flete y firmen debajo del memorando de pérdida o daño del consignador. Si el propietario nota pérdida o daño después de la entrega, separe los materiales dañados y luego comuníquese con el transportador para los procedimientos de reclamo. Las piezas faltantes o dañadas no tienen garantía.

Contenido del envío

El sistema generador se suministra con:

- Aceite (5W30 totalmente sintético)
- Línea de combustible flexible
- Manual rápido de uso
- Folleto de garantía de productos y emisiones
- Dos llaves de acceso
- Dos fusibles tipo ATO de 15 amperios
- Cuatro tapas de agujeros de elevación
- Tapa de los terminales de la batería +12V

No está incluido (lo(s) necesitará):

- Detector(es) de monóxido de carbono
- Detector(es) de humo
- Batería de arranque
- Cable y conducto de conexión
- Válvulas de suministro de combustible/plomería
- Grúa, correas de elevación, cadenas o cables
- Dos longitudes de 60 pulg (152 cm) de 3/4 pulg (1,9 cm) mínimo nominal de tubería de acero Schedule 40 (NO de conducto)
- Destornillador de par de apriete, rango de 5 a 50 pulgadas-libra
- Multi-metro

Instalación



ADVERTENCIA

El voltaje del generador y de la red pública podría provocar una descarga eléctrica o quemaduras, lo que podría ocasionar la muerte o lesiones graves.

- La instalación debe realizarla un profesional calificado.
- Desconecte todas las fuentes de electricidad antes de instalar o hacer mantenimiento al equipo.
- Conecte el sistema a tierra antes de aplicar energía.



ADVERTENCIA

Voltaje peligroso: la instalación de cables de voltaje bajo y alto en el mismo conducto podría provocar una descarga eléctrica o quemaduras, lo que podría ocasionar la muerte o lesiones graves.

- No opere cables de bajo y alto voltaje en el mismo conducto, a menos que la clasificación de aislamiento en TODOS los cables sea de 600 V. Consulte la NFPA 70 para obtener más información.

Solo los profesionales eléctricos con licencia vigente están calificados para hacer instalaciones de sistemas. Las instalaciones deben obedecer todos los códigos, normas y regulaciones de la industria. La garantía del equipo SE INVALIDA a menos que el sistema se instale por parte de profesionales eléctricos autorizados.

AVISO Desconecte todas las conexiones de energía antes de instalar este equipo. El no hacerlo podría causar daños internos a la tarjeta durante las conexiones eléctricas.

Una instalación incorrecta puede dañar las tarjetas de circuito y acortar su vida útil. Si instala las placas en tarjetas de circuito en circuitos bajo tensión dañará la tarjeta, lo que no está incluido en la garantía. SIEMPRE desconecte TODAS las fuentes de energía antes de dar mantenimiento al generador.

Todo el cableado debe ser del calibre correcto, estar correctamente soportado y protegido por un conducto. Todo el cableado debe realizarse según lo especificado por los códigos, normas y regulaciones federales, estatales y locales. Cumpla con las especificaciones de tipo de cable y par de torsión impresas en los bloques de terminales, conectores de neutro/tierra e instrucciones de instalación. Use el cable de cobre o aluminio de 600VCA o superior suministrado por el instalador de un calibre que cumpla con la última versión del Código Eléctrico Nacional para llevar a cabo las conexiones entre la electricidad de la red pública, el interruptor de transferencia, el generador, el panel de distribución principal y los módulos remotos opcionales. Aplique los factores de corrección necesarios y los cálculos de tamaño de cable.

1. Coloque el disyuntor de circuito del generador en la posición APAGADO.
2. Coloque el interruptor de ENCENDIDO/APAGADO del generador en la posición APAGADO.
3. Retire el fusible de 15 amperios del generador.
4. Desconecte la electricidad de la red pública al generador y al interruptor de transferencia.

Ubicación del generador

Antes de instalar el generador, hable con el propietario y explíquele los requisitos que siguen. Deben cumplirse antes de que se complete la instalación.

Se debe informar al propietario sobre dos preocupaciones de seguridad igualmente importantes:

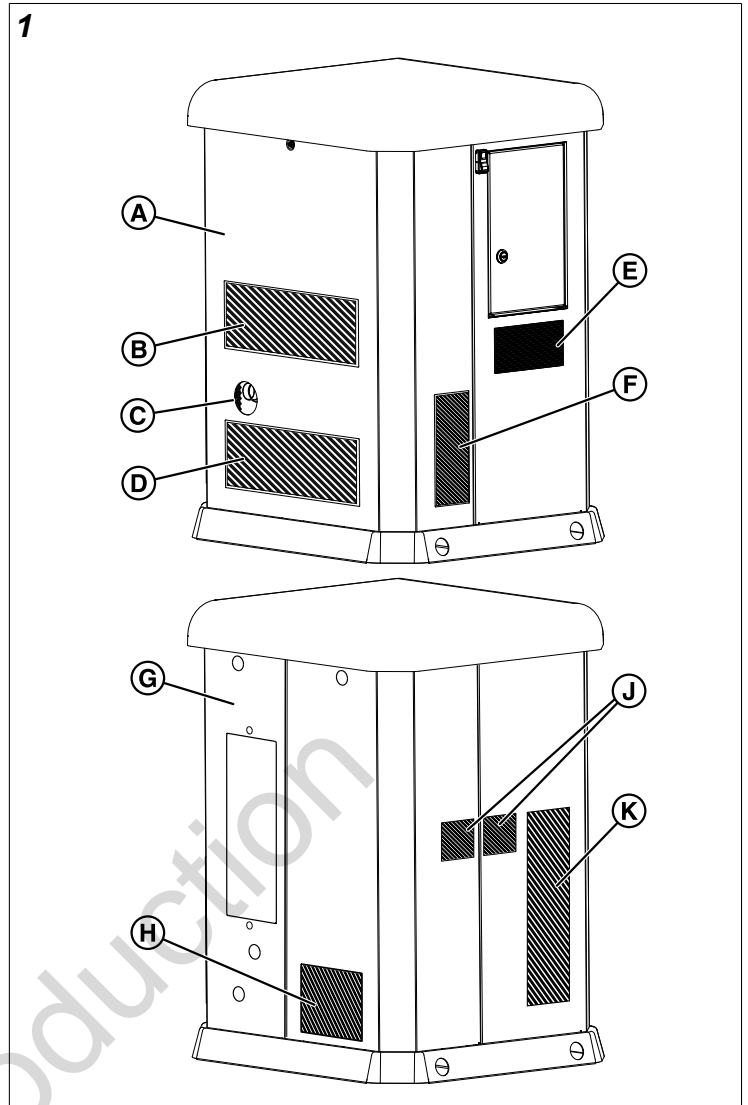
- Intoxicación por monóxido de carbono
- Incendio

Un instalador debe cumplir con otras pautas generales de ubicación que se incluyen en este manual antes de que se complete la instalación.

ADVERTENCIA

Las emisiones del motor contienen monóxido de carbono, un gas nocivo que podría causar la muerte en minutos. No es posible olerlo, verlo o saborearlo. Incluso si no huele los gases del escape, puede estar expuesto al monóxido de carbono.

- Opere este producto ÚNICAMENTE al aire libre en un área que no acumulará gases de escape mortales.
- Dirija el gas de escape alejado de ventanas, puertas, tomas de aire de ventilación, ventilaciones del soffito, espacios reducidos, puertas de garajes abiertas u otras aberturas que pueden permitir que el gas de escape entre o circule hacia estructuras o edificios potencialmente habitados.
- SE DEBEN instalar y mantener detectores de monóxido de carbono en interiores de acuerdo con las instrucciones o recomendaciones del fabricante. Los detectores de humo no detectan el gas de monóxido de carbono.
- Si usted comienza a sentirse enfermo, adormecido, débil o suena su alarma de monóxido de carbono al utilizar este producto, aléjese hacia un lugar con aire fresco de inmediato. Llame a los servicios de emergencia. Es probable que se haya intoxicado con monóxido de carbono.
- NO opere este producto dentro de hogares, garajes, sótanos, espacios reducidos, cobertizos u otros espacios parcialmente cerrados, incluso si usa ventiladores o deja las puertas y ventanas abiertas. El monóxido de carbono puede acumularse rápidamente en estos espacios y puede prolongarse por horas, incluso después de que el equipo ha sido apagado.



- (A) Parte frontal del gabinete
- (B, D, F, J y K) Ductos neutros de intercambio de aire
- (C) Salida de escape
- (E) Ducto de admisión del motor
- (G) Parte trasera del gabinete
- (H) Ducto de admisión del alternador

Consideraciones sobre la ubicación del generador

La ubicación de instalación del generador afecta directamente:

1. La cantidad y el tamaño de las tuberías necesarias para alimentar el generador.
2. La cantidad y el tamaño del cableado necesario para controlar y conectar el generador.
3. La seguridad de la instalación en lo que respecta a los peligros de los gases de escape y al monóxido de carbono, los riesgos de incendio, la proximidad a otros servicios públicos y la exposición a los elementos meteorológicos.

La sección *Ubicación del generador* aborda las pautas de ubicación específicas. El propietario y el instalador deben

hablar entre sí para determinar cómo el sitio puede afectar los costos de instalación y el cumplimiento de los códigos y normas locales.

Normas federales e internacionales

La instalación del generador debe cumplir estrictamente las normas ICC, IFGC, NFPA 37, NFPA 54, NFPA 58 y NFPA 70.

Código Nacional de Alarma de Incendios y Señalización (National Fire Alarm and Signaling Code, NFPA) 37: Esta norma regula la instalación y el uso de motores de combustión estacionarios. Sus requisitos describen el mantenimiento de un generador encerrado a una distancia específica de una estructura o pared. Esta norma también exige que, cuando se sitúe un generador, se proporcione un espacio adecuado para realizar las tareas de mantenimiento y reparación, y un espacio para las maniobras de los equipos de respuesta inmediata.

NFPA 37, Sección 4.1.4, Motores situados en exteriores: Este requisito especifica que los motores y sus carcasas resistentes a la intemperie (si están provistas) instalados en el exterior deben permanecer al menos a 5 pies (1,52 m) de las aberturas en las paredes y al menos a 5 pies (1,52 m) de las estructuras con paredes combustibles. La norma no exige una separación mínima si se da alguna de las siguientes condiciones:

1. La pared adyacente de la estructura tiene una clasificación de resistencia al fuego de al menos una hora.
2. Cuando una prueba de incendio que implique el consumo de los combustibles disponibles, dentro del motor o, si se proporciona, de su carcasa resistente a la intemperie, demuestra que un incendio que se origine en el motor o en su carcasa resistente a la intemperie no inflamará las estructuras combustibles.

Anexo A: material explicativo

A4.1.4 (2): Este requisito significa que demostrar el cumplimiento implica realizar una prueba de fuego a gran escala o seguir los procedimientos de cálculo que se encuentran en el Capítulo 10 de NFPA 555.

Este requisito concluye que, debido al espacio limitado del que se suele disponer para la instalación de la unidad, la excepción (2) es beneficiosa para muchas instalaciones residenciales y comerciales. El fabricante ha contratado a un laboratorio de ensayos independiente para realizar pruebas de fuego a escala real.

El objetivo final de la prueba de incendio era evaluar el peor escenario de incendio absoluto dentro del generador y determinar el riesgo de ignición de elementos fuera del recinto del motor a distancias específicas. Tenga en cuenta que el gabinete está construido con materiales no combustibles. Los resultados de las pruebas de laboratorio independientes mostraron que un incendio que se iniciara dentro del gabinete del generador no representaría un riesgo de ignición para los combustibles o estructuras cercanas durante al menos una hora.

Al combinar los resultados de estas pruebas a gran escala y los requisitos de NFPA 37, Sección 4.1.4, las pautas para la instalación de los generadores mencionados anteriormente cambian a 18 pulg (45,7 cm) desde la parte trasera del generador hasta una pared o edificio estacionario. Para obtener más información, consulte la sección *Requisitos de distancia* de este manual.

Reducir el riesgo de intoxicación por monóxido de carbono

En concentraciones elevadas, el monóxido de carbono (CO) puede ser mortal en minutos. Sin embargo, los efectos de concentraciones más bajas también pueden ser letales. Este gas representa un grave peligro para los seres humanos y sus animales porque nadie puede olerlo, verlo o probarlo. Los síntomas de la exposición al CO incluyen:

- Ojos llorosos y con picazón
- Sienes palpitantes
- Incapacidad de pensar coherentemente
- Zumbidos en los oídos
- Dolor de cabeza
- Habla incoherente o arrastrada
- Aspecto sonrojado
- Falta de atención
- Pérdida de coordinación física
- Opresión en el pecho
- Somnolencia
- Náuseas
- Mareos
- Vómito
- Fatiga
- Desmayo
- Convulsiones

Si usted (o alguien que esté cerca) sufre alguno de los síntomas anteriores, busque inmediatamente aire fresco y pida ayuda médica de urgencia por una posible intoxicación por monóxido de carbono. Si su alarma de monóxido de carbono suena mientras usa este producto, salga inmediatamente a tomar aire fresco (incluso si no experimenta ninguno de los síntomas mencionados anteriormente).

Detectores de monóxido de carbono (CO)

AVISO: Instalar alarmas de CO que funcionen en interiores es la única manera de reconocer el gas CO. Los detectores de humo comunes no detectan el gas CO y no alertan a los ocupantes de su presencia.

Un detector de CO es un dispositivo electrónico que detecta niveles peligrosos de CO. Cuando se presente acumulación de CO, el detector alertará a los ocupantes haciendo sonar una alarma y hará parpadear una luz indicadora visual.

Por ley, muchos estados requieren que una casa tenga un detector de monóxido de carbono (CO) en funcionamiento. El instalador debe hablar con el propietario sobre los detectores de monóxido de carbono (CO). SE DEBEN instalar y

mantener detectores de monóxido de carbono en interiores de acuerdo con las instrucciones y recomendaciones del fabricante. Los detectores de humo no detectan el gas de monóxido de carbono.

Comuníquese con la división local de inspección de edificios para conocer los requisitos pertinentes relativos al uso de detectores de CO. Ver el Código Nacional de Alarma de Incendios y Señalización (National Fire Alarm and Signaling Code, NFPA) 72 y la Sección R315 del Código Residencial Internacional (International Residential Code, ICC) para obtener más detalles.

Posibles puntos de entrada de monóxido de carbono

Pautas para la operación:

AVISO: Opere este producto únicamente al aire libre y en un área que no permita la acumulación de este gas de escape mortal.

No utilice nunca este producto en el interior de casas, garajes, sótanos, semisótanos, cobertizos, debajo de una cubierta u otras áreas parcialmente cerradas y tenga en

cuenta que el uso de ventiladores y la apertura de puertas en estas áreas pueden no proporcionar una ventilación adecuada. El monóxido de carbono puede acumularse rápidamente en estos espacios prohibidos y puede permanecer en el aire durante varias horas después de que este producto se haya apagado.

Indicaciones de instalación:

Siga todas las instrucciones e ilustraciones de este manual cuando coloque un gabinete.

Apunte siempre el escape del motor del generador lejos de las áreas ocupadas. Nunca exponga las viviendas de sus vecinos a los gases de escape del motor que sale de su generador de energía de emergencia durante el proceso de instalación.

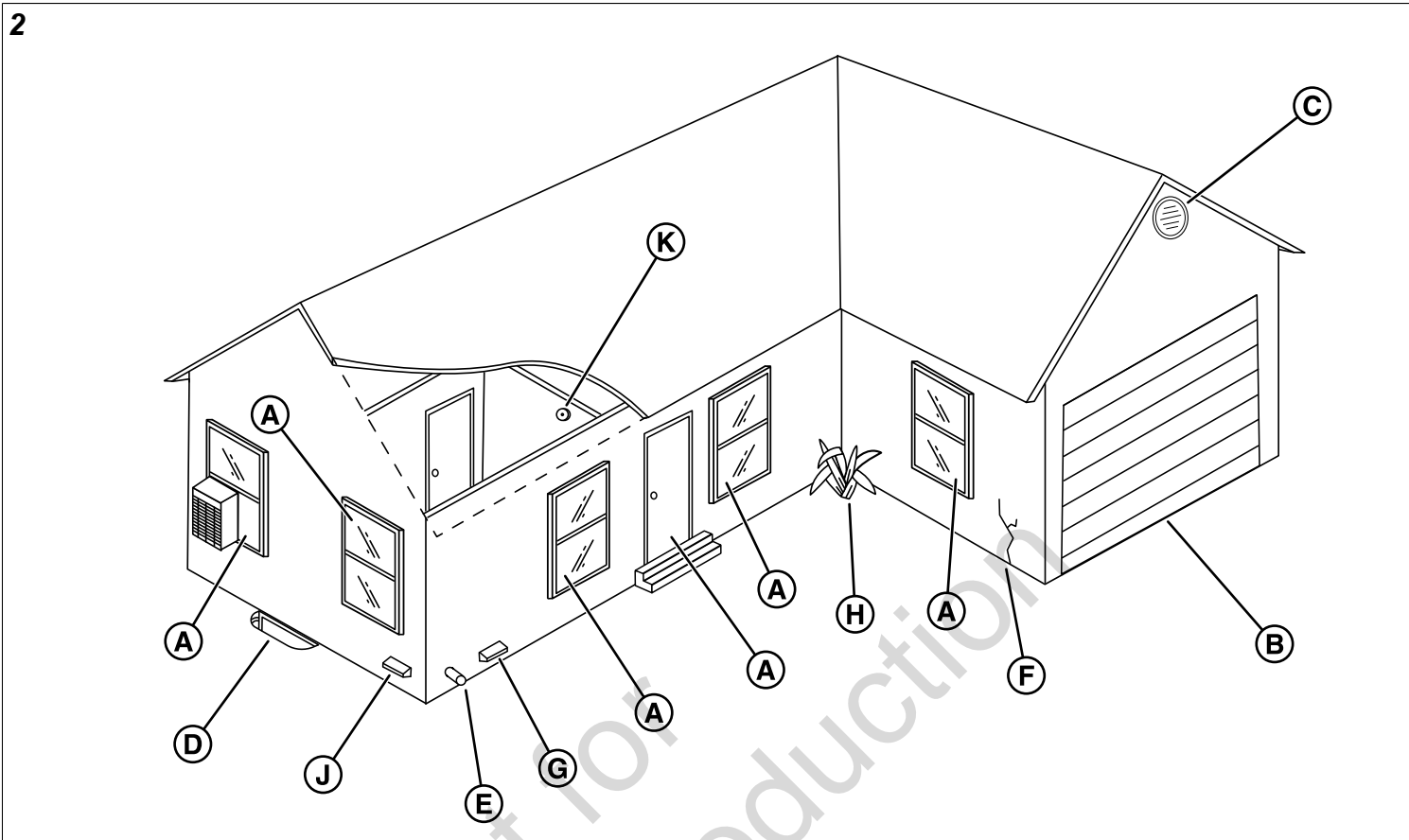
Nunca coloque el generador de energía de emergencia en ningún lugar donde se puedan acumular hojas o residuos.

Los gases de escape del generador pueden entrar por las ventanas, puertas y otras aberturas de una estructura. Comprenda que los gases de escape y el CO pueden filtrarse en una estructura a través de las más pequeñas aberturas.

Not for
Reproduction

Protección de la estructura

Examine la estructura para asegurarse de que el sellado y el enmasillado sean suficientes para evitar que el aire entre o salga. Examine la estructura en busca de espacios vacíos, grietas o aberturas alrededor de las ventanas, puertas, plafones, tuberías y rejillas de ventilación, ya que estas áreas pueden permitir que los gases de escape y el monóxido de carbono (CO) penetren en la estructura.



La tabla a continuación incluye ejemplos de posibles puntos de entrada de gas CO.

UBICACIÓN	PUNTO DE ENTRADA	EXPLICACIÓN
A	Puertas y ventanas	Las ventanas que forman parte de la arquitectura de una estructura pueden permitir la entrada de aire fresco y CO en la misma, especialmente cuando están abiertas.
B	Puerta del garaje	Una puerta de garaje abierta o mal sellada puede permitir la entrada de CO en el garaje.
C	Ventilación del ático	Los gases de escape del generador pueden entrar a través de las rejillas de ventilación del ático y de las rejillas de ventilación de los soffits, los semisótanos y las cumbres o tejados.
D	Ventanas del sótano	Las ventanas o escotillas del sótano que permiten la ventilación hacia o desde el nivel inferior de la estructura también permiten que el gas CO penetre en la estructura.
E	Toma de aire o escape del horno	Las tomas de aire y los tubos de escape de los hornos son puntos de entrada habituales del gas CO.
F	Grietas en las paredes	Cualquier grieta en las paredes de una estructura, incluyendo los cimientos y el mortero, y cualquier espacio alrededor de las ventanas, puertas y tuberías puede dejar pasar el CO.
G	Ventilación de la secadora	A veces, el conducto de escape de la secadora de ropa deja entrar gas CO en la estructura.
H	Restricciones del flujo de aire	Las áreas con esquinas estructurales y vegetación tupida restringen el flujo de aire y recogen los gases de escape.
J	Sistema de aire de reposición	Nota: Mantenga todas las aberturas de entrada de aire exterior mecánicas y por gravedad para los sistemas de aire de suministro de climatización a 10 pies (3 m) del gabinete del generador. Consulte la sección 401 del Código Mecánico del ICC para obtener detalles sobre los requisitos.
K	Detector(es) de monóxido de carbono	Nota: Instalar alarmas de CO que funcionen en interiores es la única manera de reconocer el gas CO. Los detectores de humo comunes no detectan el gas CO y no alertan a los ocupantes de su presencia.

Reducción del riesgo de incendio

ADVERTENCIA

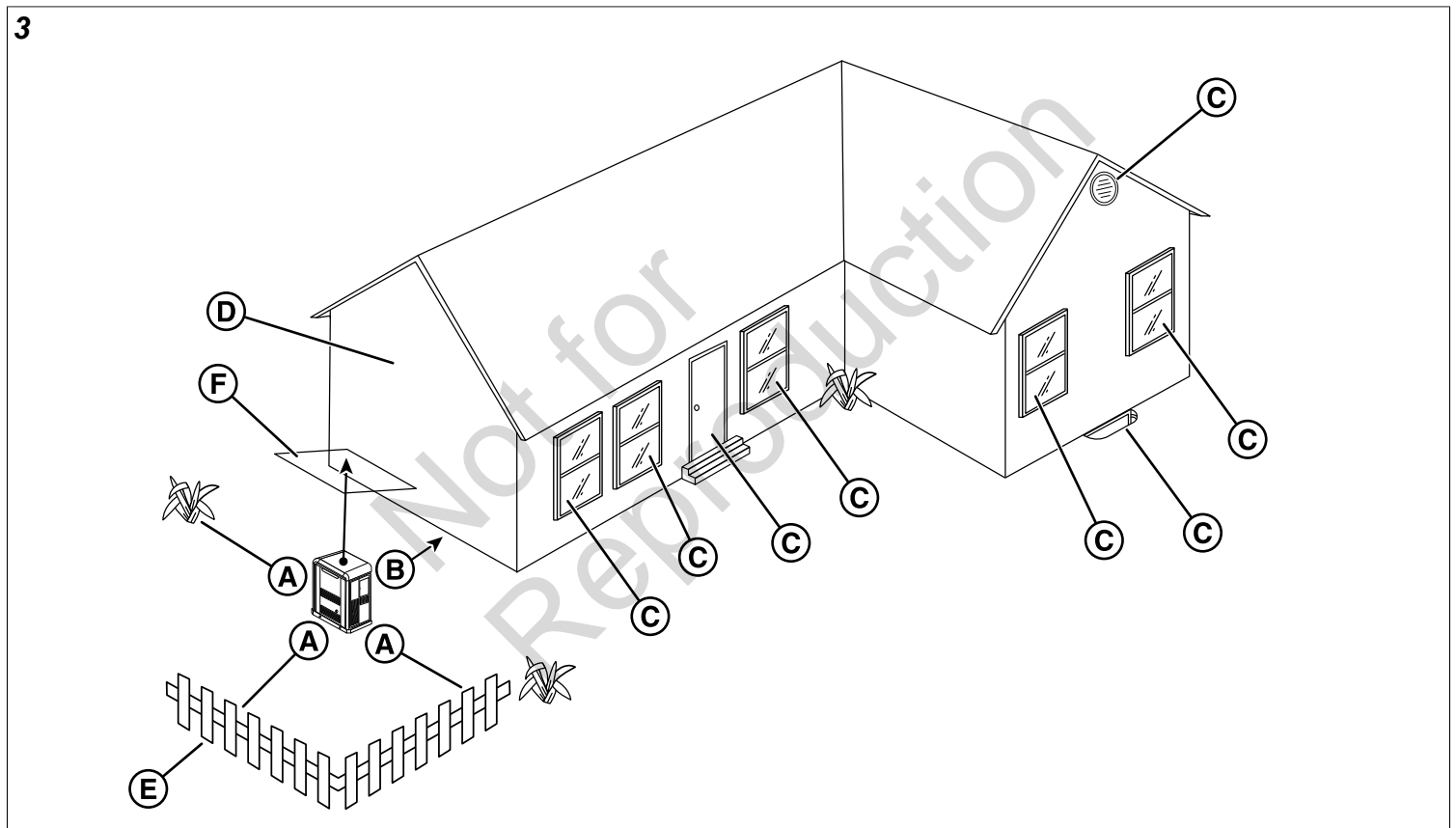
El calor/los gases de escape podrían encender combustibles y ocasionar un incendio, lo que podría ocasionar lesiones graves o la muerte.

- Retire todos los materiales combustibles del compartimiento del generador y de alrededor de este.

Para ayudar a prevenir incendios, el generador debe instalarse a una distancia segura de todos los materiales combustibles. El motor, el alternador y los componentes del sistema de escape de la unidad pueden calentarse mucho durante la operación. Reduzca la probabilidad de que se produzca un incendio manteniendo la unidad bien ventilada, con un mantenimiento adecuado, sin fugas de combustible y alejada de materiales combustibles. Además, pueden acumularse residuos inflamables dentro o fuera del gabinete del generador y pueden inflamarse, provocando un incendio.

Requisitos de espacios libres

El propietario debe mantener unos espacios libres mínimos alrededor del gabinete del generador. Estos espacios libres existen principalmente para la prevención de incendios, pero también garantizan un espacio adecuado para las tareas de mantenimiento, como la retirada de los paneles laterales de la unidad, la parte trasera, la salida de escape y la entrada de aire.



La siguiente tabla explica las distancias correctas necesarias para la instalación.

UBICACIÓN	ELEMENTO	EXPLICACIÓN
A	Espacio libre frontal y lateral	Mantenga un espacio libre mínimo de 3 pies (0,91 m) desde el frente y los lados del generador. Mantenga los arbustos, matas, plantas y árboles a esta misma distancia mínima de la unidad y no utilice nunca la vegetación para ocultar la unidad.
B	Espacio libre trasero	Dado que las conexiones eléctricas y de combustible se encuentran aquí, mantenga un espacio libre de 18 pulg (45,7 cm) según el laboratorio de pruebas independiente, a menos que los códigos del estado le indiquen lo contrario.
C	Ventanas, respiraderos y aberturas	Instale el generador al menos a 5 pies (1,52 m) de todas las ventanas, puertas, conductos de ventilación, huecos de ventanas o aberturas en la pared. Ver la sección <i>Protección de la estructura</i> en este manual.
D	Pared existente	Mantenga el generador a una distancia mínima de 18 pulg (45,7 cm) de las paredes existentes.

UBICACIÓN	ELEMENTO	EXPLICACIÓN
E	Cerca desmontable	Mantenga las cercas desmontables a una distancia mínima de 3 pies (0,91 m) de la parte delantera del generador. Las cercas desmontables incluyen los cerramientos visuales, los paneles de vallas y las barreras temporales sin cimentación.
F	Espacio aéreo por encima	Mantenga un espacio libre de 5 pies (1,52 m) como mínimo con respecto a todas las estructuras, los salientes, las proyecciones en una pared o los árboles.
G	Mantenimiento y servicio (no se muestra)	Deje espacio suficiente para realizar el mantenimiento rutinario, como la revisión del motor y el cambio de la batería. No utilice nunca arbustos, matorrales, árboles o plantas para ocultar el generador.

Otras directrices generales de ubicación

- Coloque el generador de energía de emergencia en un lugar plano preparado y que esté adecuado para el drenaje de agua.
- Instale el generador de energía de emergencia en un lugar donde la descarga de la bomba del sumidero, el bajante del desagüe de lluvia, el escurrimiento del techo, el riego del jardín o los rociadores de agua no inundan la unidad o rocien el recinto y entren en las aberturas de entrada o salida de aire.
- Instale el generador de energía de emergencia en un lugar donde no afecte ni obstruya ninguno de los servicios (incluidos la cubierta, la oculta y la subterránea), como el teléfono, la electricidad, el combustible (gas natural/vapor de GLP), el riego, el aire acondicionado, el cable, la fosa séptica, el alcantarillado, el pozo, etc.
- Instale el generador de energía de emergencia donde las hojas, la hierba, la nieve, etc. no obstruyan las aberturas de entrada y salida de aire. Si los vientos predominantes provocan sacudidas o desviaciones, puede que sea necesario construir un cortavientos para proteger la unidad.

Kits para clima frío

Si el generador funciona a temperaturas inferiores a 30 °F (-1 °C), se recomienda instalar un kit para clima frío.

El kit calentador de aceite y de batería, número de pieza 6921, incluye:

- Calentador de aceite
- Calentador de batería
- Arnes

El kit de calentamiento del regulador de combustible, número de pieza 6845, incluye:

- Calentador del regulador
- Arnes

El kit calentador de batería, número de pieza 6182, incluye:

- Calentador de batería
- Arnes

El kit calentador de aceite, número de pieza 6922, incluye:

- Calentador de aceite
- Arnes

Estos artículos están disponibles en su distribuidor local.

Para obtener más información, llame al 800-732-2989 entre las 8:00 a. m. y las 5:00 p. m., hora central.

Elevación del generador

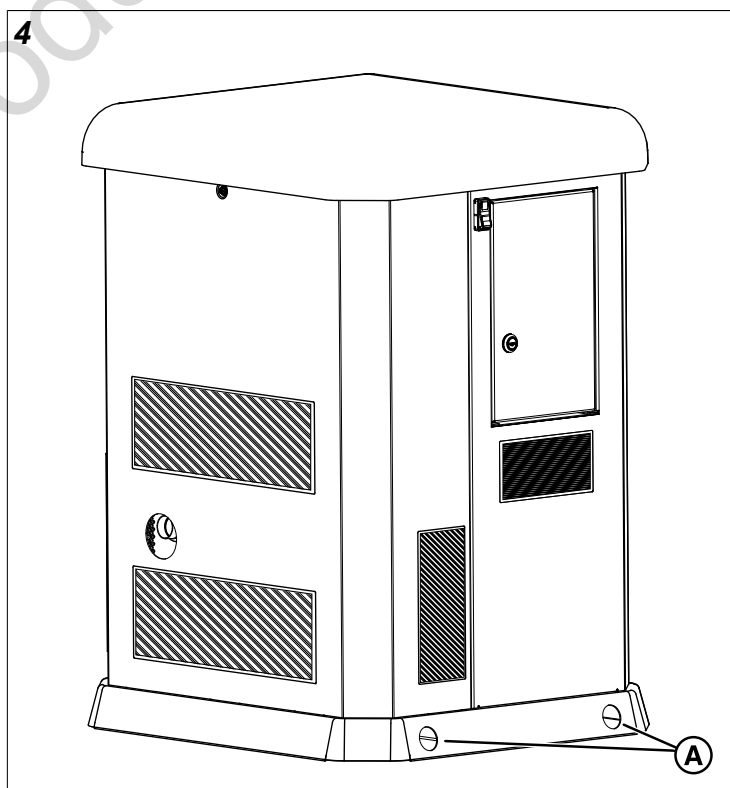
ADVERTENCIA

Voltaje peligroso: el contacto con las líneas de alta tensión podría provocar una descarga eléctrica o quemaduras, lo que podría ocasionar la muerte o lesiones graves.

- Si se utiliza equipo de elevación o izado, NO debe entrar en contacto con las líneas de alta tensión.
- NO levante ni mueva el generador sin ayuda.

En todas las fases de la manipulación y el traslado del generador deben utilizarse las herramientas, el equipo y el personal cualificado adecuados. El peso aproximado del generador se indica en la sección *Especificaciones del generador*.

Utilice los agujeros de elevación (A, Figura 4) en la base del generador para elevar el generador hasta la losa o almohadilla de hormigón. Levante el generador de acuerdo con la Administración de Salud y Seguridad Ocupacional (OSHA) o las normas de elevación locales.



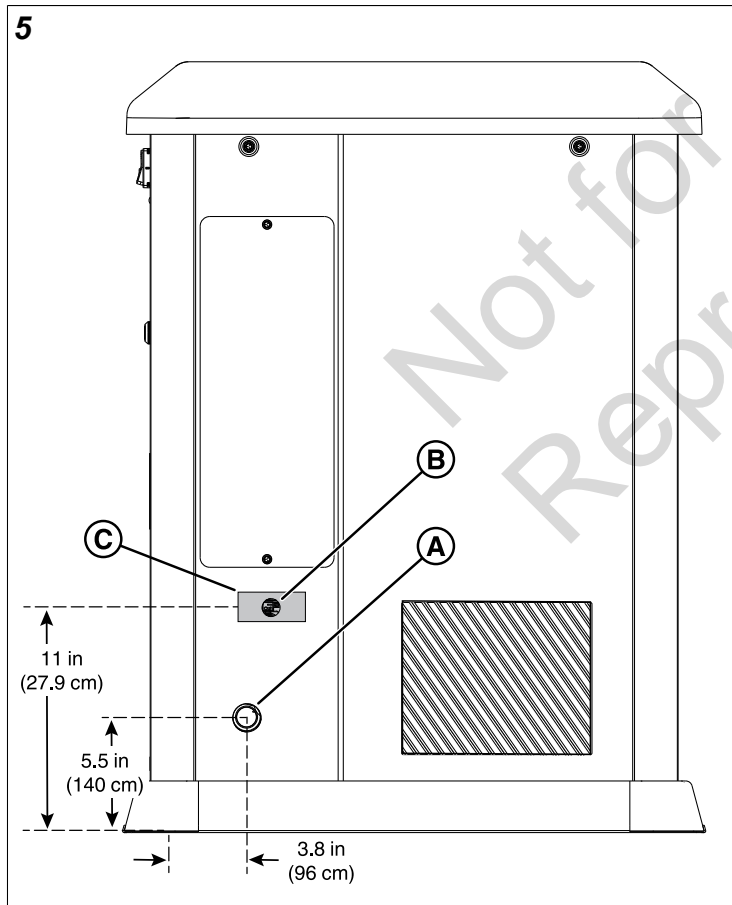
Anclaje del generador y clasificación del viento

A menos que lo exijan los códigos locales o estatales, o que se requiera para alcanzar la clasificación de viento, no se requiere una plataforma de concreto para anclar el generador. Para obtener información sobre el montaje en plataforma de hormigón y la resistencia al viento, consulte el diagrama *Anclaje y clasificación del viento* al final de este manual.

Ubicaciones de las entradas de electricidad y combustible

El conector de entrada de combustible N.P.T. de 3/4 de pulgada (A, Figura 5) y las ubicaciones de la entrada eléctrica (B) se muestran a continuación.

Se proporciona el orificio ciego de 1/2 pulgadas para la entrada eléctrica. Esta entrada se puede ampliar o complementar para acomodar un conducto de un tamaño máximo de 1-1/2 pulgadas. Asegúrese de que el(los) conducto(s) instalados entre(n) en la unidad en la zona (C) como se muestra en el dibujo que sigue para que entre(n) en la caja eléctrica correctamente.



Tableros de acceso: instalación y remoción

El generador está equipado con un gabinete que tiene varios paneles de acceso, como se muestra en las imágenes a continuación.

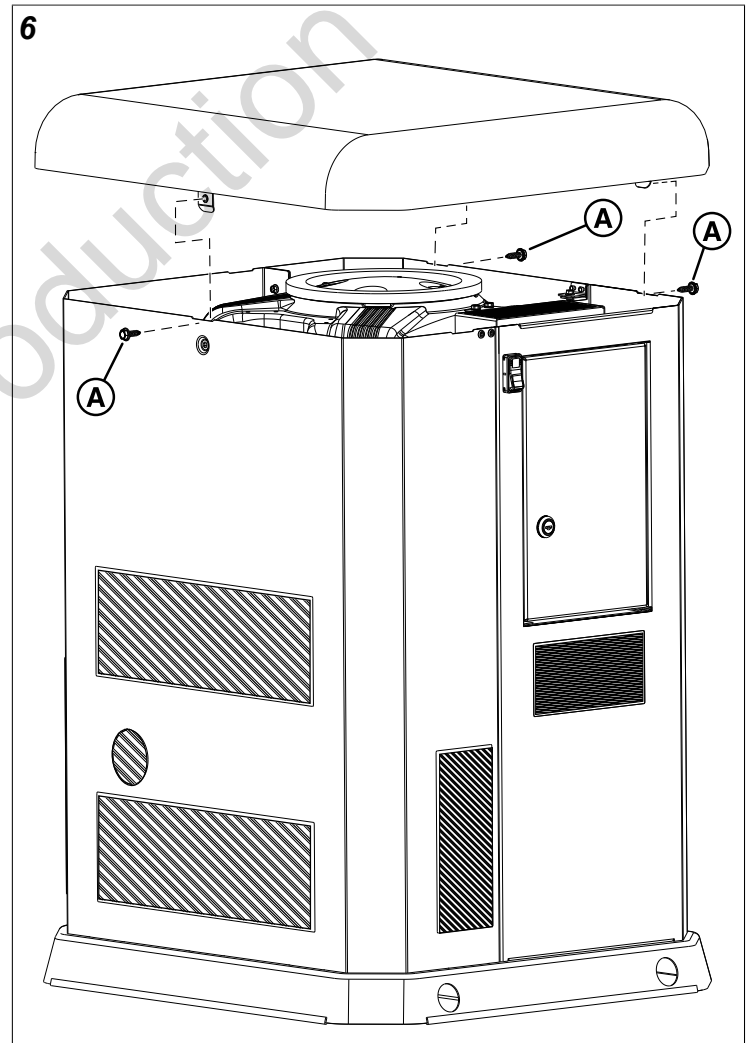
Cada panel de acceso y la cubierta se utilizan para acceder a:

- Compartimiento de la batería
- Manguera de drenaje del aceite del motor
- Filtro de aceite de motor
- Tapa de las válvulas del motor
- Bujía(s)

Cada generador se envía con un juego de llaves idénticas adheridas a uno de los paneles.

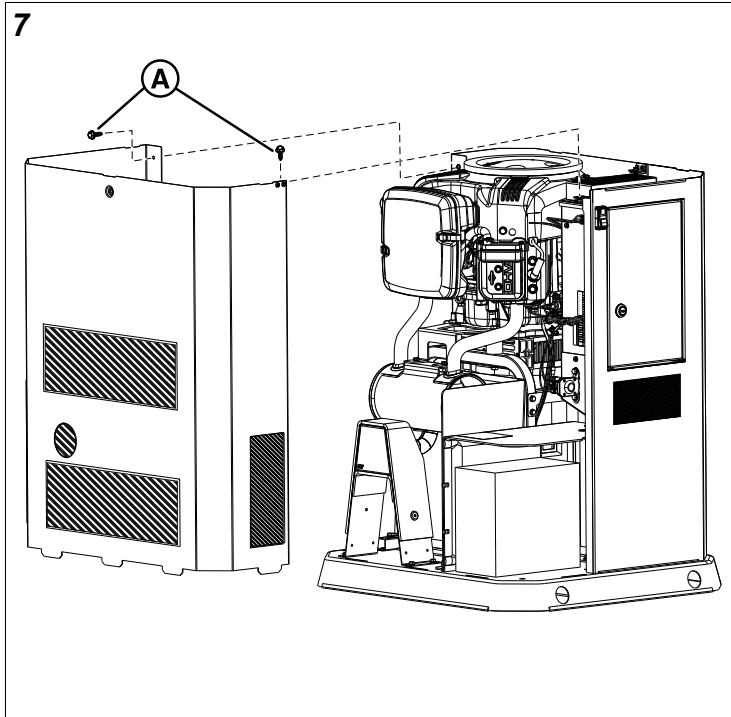
Cubierta – Instalación y remoción (Figura 6):

1. Instale o retire la cubierta, con cuidado, con los tornillos (A) que fijan la cubierta a la unidad.

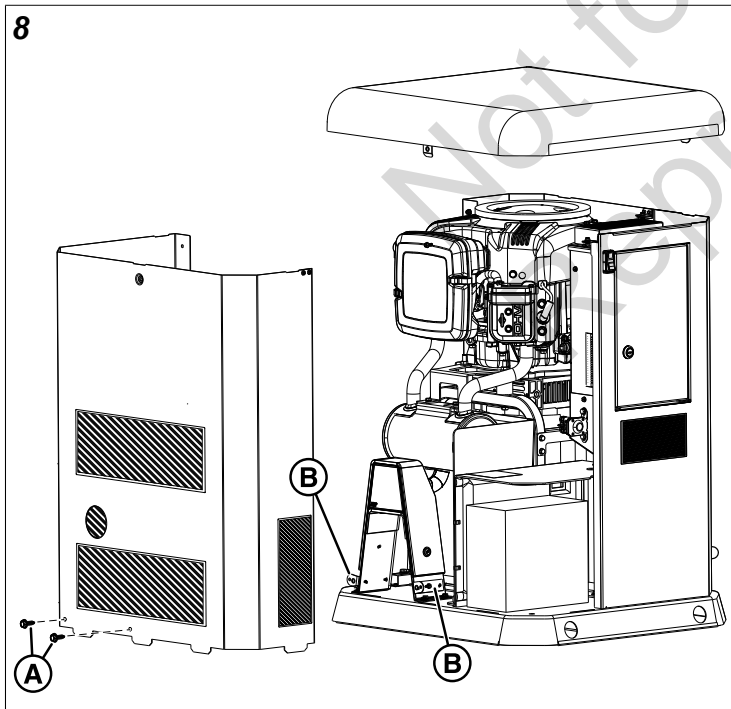


Panel frontal – Instalación y remoción (Figura 7):

1. Instale o retire el panel frontal, con cuidado, con los dos sujetadores (A) que fijan el panel a la unidad.



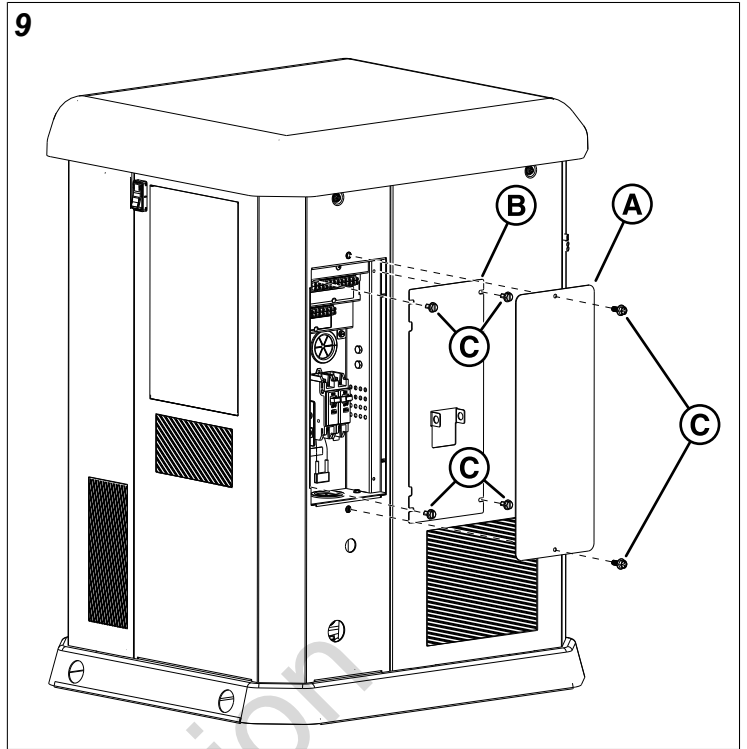
2. Si se instala para la clasificación de viento, retire los sujetadores (A, Figura 8). No es necesario desmontar los soportes de apoyo (B).



3. Levante el panel flexible hacia afuera y fuera de la base. Tenga precaución para evitar daños en la caja de la batería.

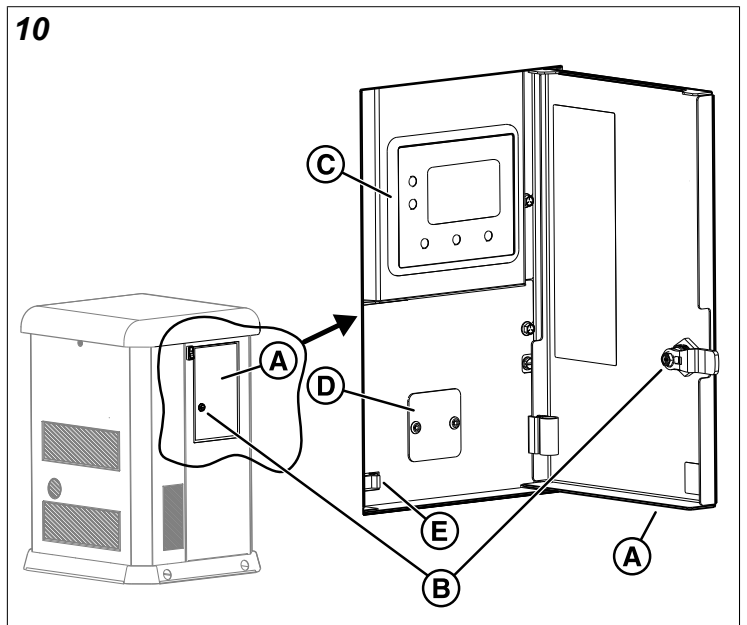
Paneles de acceso a las conexiones de campo: Instalación y remoción (Figura 9)

1. Instale o retire los paneles de acceso a las conexiones de campo (A y B) retirando los sujetadores (C) que fijan los paneles al gabinete.



Puerta de acceso al controlador, fusible y luz LED: Abra y cierre (Figura 10)

1. Esta puerta (A) da acceso al controlador del generador (C), a la ventana de visualización LED del cargador de batería (D) y al fusible (E). Si está cerrada (B) utilice las llaves suministradas con su generador.



Esquema de instalación de combustible



ADVERTENCIA

El gas propano y el gas natural son extremadamente inflamables y explosivos y pueden causar quemaduras, incendios o explosiones que podrían ocasionar lesiones graves o la muerte.

- La instalación debe realizarla un profesional calificado.
- Instale el sistema de suministro de combustible de acuerdo con NFPA 37 y otros códigos de gas combustible aplicables.
- Antes de poner en funcionamiento el generador, las líneas del sistema de combustible se deben purgar correctamente y se debe verificar que no haya ninguna pérdida.
- NO puede haber ninguna pérdida.
- NO opere el motor si siente olor a combustible.



ADVERTENCIA

El gas propano y el gas natural son extremadamente inflamables y explosivos y pueden causar quemaduras, incendios o explosiones que podrían ocasionar lesiones graves o la muerte.

- NO utilice el equipo si falta la válvula de cierre de combustible o si no funciona.



ADVERTENCIA

El gas propano y el gas natural son extremadamente inflamables y explosivos y pueden causar quemaduras, incendios o explosiones que podrían ocasionar lesiones graves o la muerte.

- El gas LP es más pesado que el aire y se asentará en áreas bajas.
- El gas natural es más liviano que el aire y se acumulará en áreas altas.
- La chispa más pequeña podría encender estos combustibles y causar una explosión.
- NO permita ninguna llama abierta, chispa, calor o cigarrillo encendido.

AVISO: NO instale la línea de combustible flexible suministrada bajo tierra o en contacto con el suelo. Mantenga toda la línea de combustible flexible visible para una inspección periódica. No la oculte ni la pase dentro de ninguna pared, piso o tabique. Nunca permita que la línea entre en contacto con estas estructuras.

AVISO: NO doble la línea de combustible flexible que se suministra.

La siguiente información aborda la fase de planificación de instalaciones para técnicos especialistas en sistemas de combustible gaseoso. Obedezca siempre los códigos locales aplicables de gas combustible que afecten al sitio de

instalación. Consulte a su proveedor local de combustible o al jefe de bomberos si tiene alguna pregunta o problema.

PARA EL INSTALADOR: Consulte con los propietarios del generador y aborde cualquier consideración técnica que afecte sus planes de instalación antes de aplicar estas pautas.

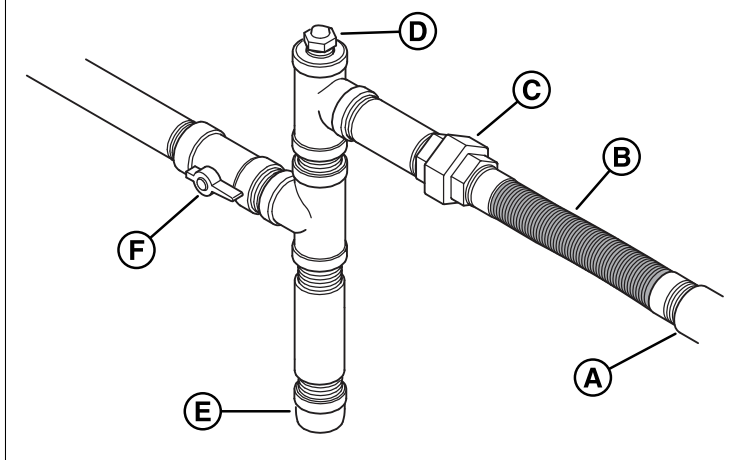
Las reglas generales que siguen se aplican a las tuberías en los sistemas de combustible gaseoso:

- El material de la tubería debe cumplir con los códigos federales y locales, con montaje rígido y protección contra la vibración.
- Proteja las tuberías de daños físicos, especialmente donde pasan a través de matas de flores y arbustos y otras áreas cultivadas donde pueden ocurrir daños.
- Instale la línea de combustible flexible provista (B, Figura 11) entre el puerto de entrada de combustible del generador (A) y la tubería rígida para evitar una tensión excesiva en el material de la tubería debido a la expansión y contracción térmica.
- Proporcione una unión (C) o una conexión bridada aguas abajo para permitir futuras remociones.
- Instale un puerto de prueba de manómetro (D) para combustibles de vapor. Use el puerto para instalar un manómetro y verifique si el motor recibe la presión de combustible adecuada para la operación. Consulte al centro de servicio para obtener un manómetro digital o analógico diseñado solo para combustibles de vapor (número de pieza 19495). Después de completar las pruebas iniciales, retire el manómetro y tape el puerto.
- Sólo para combustibles de vapor: Proteja las tuberías del congelamiento en áreas propensas a la formación de hidratos o hielo. Al terminar tuberías duras, use una trampa de sedimentos (E) donde el líquido condensado probablemente no se congele.
- Instale como mínimo una válvula de cierre manual aprobada y accesible (F) en la línea de suministro de combustible dentro de los 6 pies (1,8 m) del generador.
- Instale una válvula de cierre manual en el interior del edificio.
- Aumente la resistencia y la flexibilidad de los soportes de las tuberías y las conexiones en áreas propensas a terremotos, tornados, riesgos de inundaciones y terrenos inestables.
- Asegúrese de que el tamaño de la tubería sea lo suficientemente adecuado para mantener las presiones de suministro y el flujo volumétrico requeridos en condiciones variables de carga del generador, con todos los aparatos de gas conectados al sistema de combustible encendidos y en funcionamiento.
- Utilice un sellador de tuberías o un compuesto para juntas aprobado para su uso con gas natural/petróleo licuado en todos los accesorios roscados para reducir la posibilidad de fugas.

AVISO: Mantenga el sellador de roscas fuera de la tubería de gas para evitar daños a los componentes.

- Purgue y pruebe las fugas en las tuberías de acuerdo con los códigos y normas aplicables.

11



- (A) Entrada de combustible del generador
- (B) Línea de combustible flexible
- (C) Ajuste de la unión
- (D) Puerto de prueba del manómetro
- (E) Trampa de sedimentos
- (F) Válvula de cierre manual

Consumo de combustible

Las necesidades estimadas de suministro de combustible a media y plena carga para el gas natural y los combustibles de vapor de petróleo se indican en la siguiente tabla:

Vapor de LP (Propano)

	13 kW	
1/2 de carga	BTU/hr (MJ/h)	154.000 (170)
	ft ³ /h (m ³ /h)	62 (1,8)
	gal/h (L/h)	1,7 (6,4)
Carga completa	BTU/h (MJ/h)	258.000 (280)
	ft ³ /h (m ³ /h)	103 (3,0)
	gal/h (L/h)	2,9 (10,7)

Gas Natural

	13 kW	
1/2 de carga	BTU/h (MJ/h)	119.000 (130)
	ft ³ /h (m ³ /h)	119 (3,4)
Carga completa	BTU/h (MJ/h)	212.000 (230)
	ft ³ /h (m ³ /h)	212 (6,0)

Propiedades físicas	Vapor LP	Gas Natural
Estado atmosférico normal	Gas	Gas
Punto de ebullición °F (°C)	-44 (-42)	-259 (-167)
Valor calorífico		
BTU/gal (MJ/L) líquido (LHV neto*)	83.340 (23,23)	63.310 (17,65)
BTU/gal (MJ/L) líquido (bruto**)	91.547 (25,52)	n/a
BTU/ft ³ (MJ/m ³) gas	2.500 (93,15)	1000 (37,26)
Densidad – ft ³ /gal (m ³ /L)	36,39 (0,27)	57,75 (0,43)

Propiedades físicas	Vapor LP	Gas Natural
Peso – lb/gal (kg/L)	4,24 (0,51)	2,65 (0,32)

* LHV (Valor de calentamiento bajo) es la clasificación más realista.

** El valor térmico bruto no tiene en cuenta el calor perdido en forma de agua durante la combustión.

Tipo de combustible

Tenga en cuenta el tipo de combustible que utiliza su generador, ya que afecta a todo el proceso de instalación. El sistema fue probado y ajustado en fábrica usando gas natural, pero puede convertirse para usar vapor de petróleo licuado. Para la correcta operación del motor, tenga en cuenta los factores que afectan a cada uno de estos combustibles, como la ubicación y la duración de las posibles interrupciones de la red pública. Al elegir el tipo de combustible, obedezca las siguientes pautas:

- Use un combustible limpio y seco, libre de humedad o cualquier material particulado. El uso de combustibles fuera de los valores recomendados puede ocasionar problemas de rendimiento.
- En motores diseñados para funcionar con propano (petróleo licuado), debe usar propano de calidad comercial HD-5.

Los motores de gas natural o LP se certifican para funcionar con gas natural o propano líquido. El sistema de control de emisiones para este motor es EM (modificaciones del motor).

Presión del combustible

Tanto el petróleo licuado (LP) como el gas natural (GN) suministran presión en el puerto de entrada de combustible del generador y debe estar en un nivel mínimo a plena carga con todos los aparatos de gas encendidos y en operación.

El gas natural debe tener una columna de agua (WC) de 3,5 a 7 pulg (89 a 178 mm).

El petróleo licuado debe tener de 11 a 14 pulg (279 a 356 mm) de WC.

Asegúrese de que todas las válvulas de cierre de las líneas de gas estén ABIERTAS y de que se disponga de la presión de combustible adecuada siempre que se necesite una operación automática.

Pérdida de potencia

La potencia del motor disminuirá un 3,5 % por cada 300 metros (1000 pies) sobre el nivel del mar y un 1 % por cada 10 °F (5.6 °C) por encima de los 77 °F (25 °C).

Conversión de combustible

El motor del sistema generador de su casa está calibrado de fábrica y ajustado para funcionar con gas natural (GN). También puede funcionar con vapor de petróleo licuado (LP).

AVISO: Las unidades se ajustan a GN en la fábrica. Los dos ajustes de los tornillos se indican en la siguiente lista.

Los ajustes iniciales de fábrica del combustible GN son:

- Tornillo de ajuste de ralentí (C, Figura 14): 3/8 de una vuelta
- Tornillo principal (D): 1 y 3/8 de vuelta

Los ajustes de combustible LP son:

- Tornillo de ajuste de ralentí (C): 3/4 de una vuelta
- Tornillo principal (D): 1/8 de vuelta

Para convertir a cualquiera de los dos combustibles, siga los siguientes pasos:

1. Coloque el interruptor ENCENDIDO/APAGADO (A, Figura 12) en la posición APAGADO (0) (consulte la ubicación del interruptor en la sección *Características y controles*).
2. Retire la energía de la red pública al generador para desactivar el cargador de la batería.
3. Quite la cubierta (consulte la sección *Paneles de acceso: instalación y remoción*).
4. Retire el fusible de 15 amp (B) del portafusibles (consulte la ubicación del fusible en la sección *Características y controles*).
5. Retire el panel frontal (consulte la sección *Paneles de acceso: instalación y remoción*).
6. Desconecte el cable negativo (-) de la batería.
7. Coloque el interruptor de palanca del selector de combustible (B, Figura 13) que se encuentra en la parte superior de la caja de conexiones de campo en la posición correcta: LP o GN (A).
8. Con un destornillador de ranura, gire los tornillos (C y D, Figura 14) en el sentido de las agujas del reloj hasta que se ajusten bien.

AVISO NO apriete demasiado. Esto puede provocar daños en el puerto del mezclador.

9. Con un destornillador de ranura, gire el tornillo (C) en sentido contrario a las agujas del reloj el número de vueltas especificado en el **AVISO** al principio de esta sección.
10. Con un destornillador de ranura, gire el tornillo (D) en sentido contrario a las agujas del reloj el número de vueltas especificado en el **AVISO** al principio de esta sección.
11. Conecte el cable negativo (-) a la batería.
12. Instale el panel frontal (consulte la sección *Paneles de acceso: instalación y remoción*).
13. Instale el fusible de 15 amp (B, Figura 12) en el portafusibles (consulte la ubicación del fusible en la sección *Características y controles*).
14. Instale la cubierta (consulte la sección *Paneles de acceso: instalación y remoción*).
15. Coloque el interruptor ENCENDIDO/APAGADO (A) en la posición "ENCENDIDO" (I) (consulte la ubicación del interruptor en la sección *Características y controles*).

16. Desasegure (si es necesario) y abra la puerta de acceso al controlador y verifique que el controlador esté en **modo Manual**.

17. Para acceder al menú de configuración pulse y sostenga el botón CONFIGURAR.

18. Pulse SELECCIONAR para editar los elementos del menú de configuración.

AVISO Si está cambiando la configuración en el controlador del generador de la configuración de fábrica de combustible GN a combustible LP, necesitará ingresar al Menú de configuración usando la contraseña del distribuidor, la cual está disponible en el portal de energía.

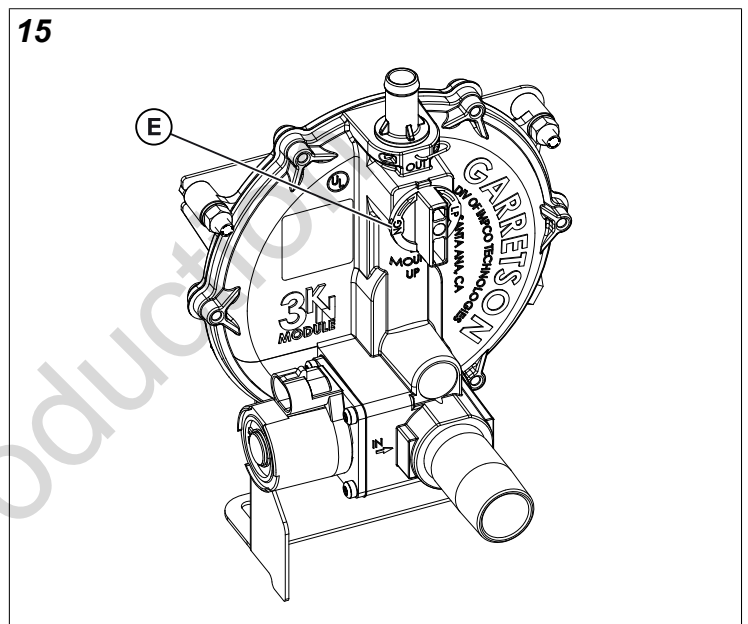
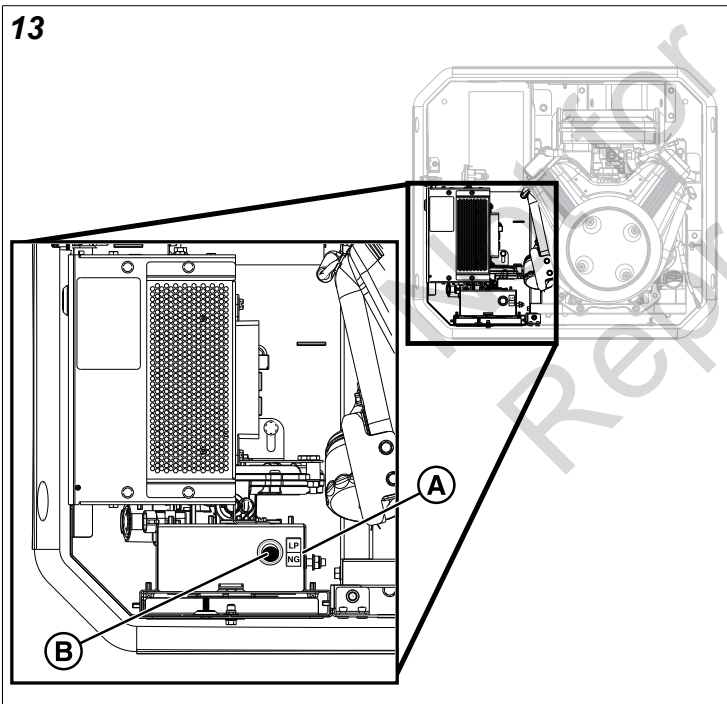
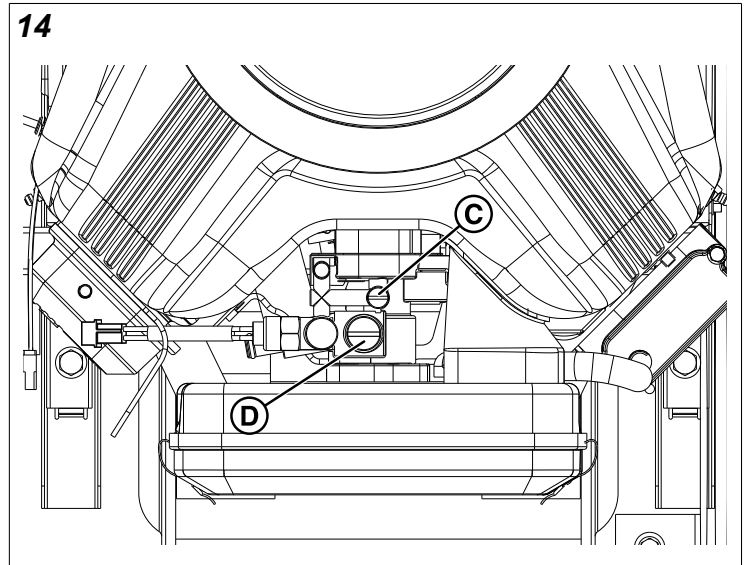
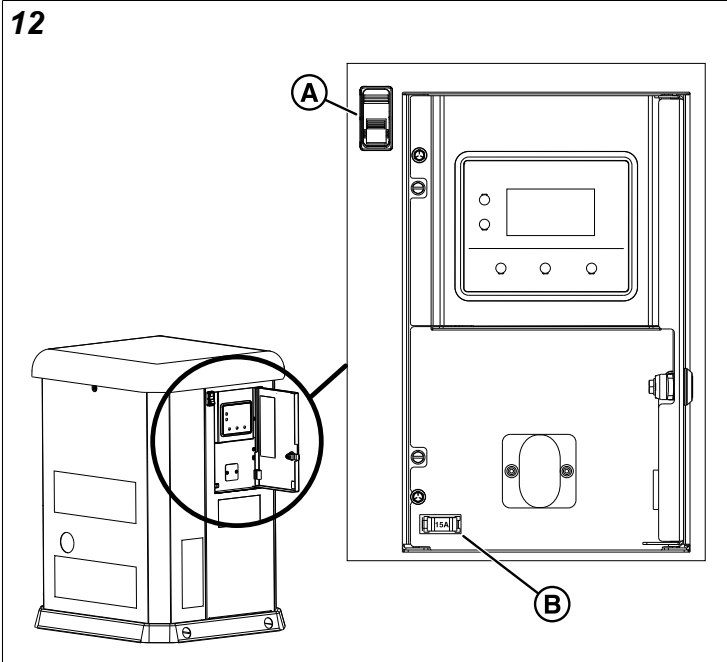
19. Navegue hasta "SELECCIONAR PERFIL" y presione seleccionar en el perfil correcto para el generador. Por ejemplo "13KW_LP" para operar una unidad de 13 kW que funciona con combustible LP

AVISO La selección de un perfil que no esté destinado al generador puede hacer que éste funcione de forma errática y podría resultar dañado

20. Para guardar el nuevo ajuste de combustible, mantenga pulsado el botón DETENER/CONFIGURAR hasta que aparezca "Guardando ajustes...".

21. NO cambie el ajuste del regulador de combustible. Tanto si utiliza GN como LP, este ajuste DEBE dejarse en el ajuste de fábrica de GN (E, Figura 15).

22. Para obtener información adicional sobre la operación del controlador del generador, consulte el manual en línea *"Instrucciones de operación del controlador del GENSET de la serie GC1030"* asociado con su generador.



Conexiones del campo eléctrico

ADVERTENCIA

El voltaje del generador y de la red pública podría provocar una descarga eléctrica o quemaduras, lo que podría ocasionar la muerte o lesiones graves.

- La instalación debe realizarla un profesional calificado.
- Desconecte todas las fuentes de electricidad antes de instalar o hacer mantenimiento al equipo.
- Conecte el sistema a tierra antes de aplicar energía.

ADVERTENCIA

Voltaje peligroso: la instalación de cables de voltaje bajo y alto en el mismo conducto podría provocar una descarga eléctrica o quemaduras, lo que podría ocasionar la muerte o lesiones graves.

- No opere cables de bajo y alto voltaje en el mismo conducto, a menos que la clasificación de aislamiento en TODOS los cables sea de 600 V. Consulte la NFPA 70 para obtener más información.

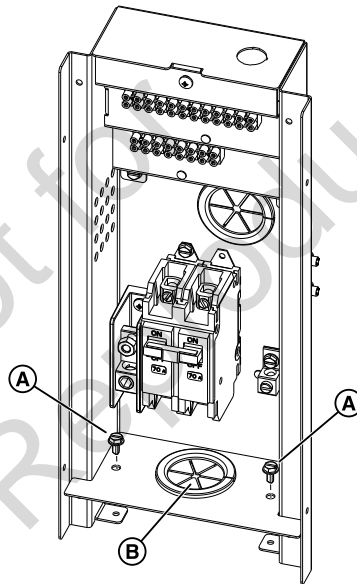
1. Retire los paneles de acceso a las conexiones de campo (consulte la sección *Paneles de acceso: instalación y remoción*).
2. Inserte los cables para conexión de campo a través del orificio ciego.

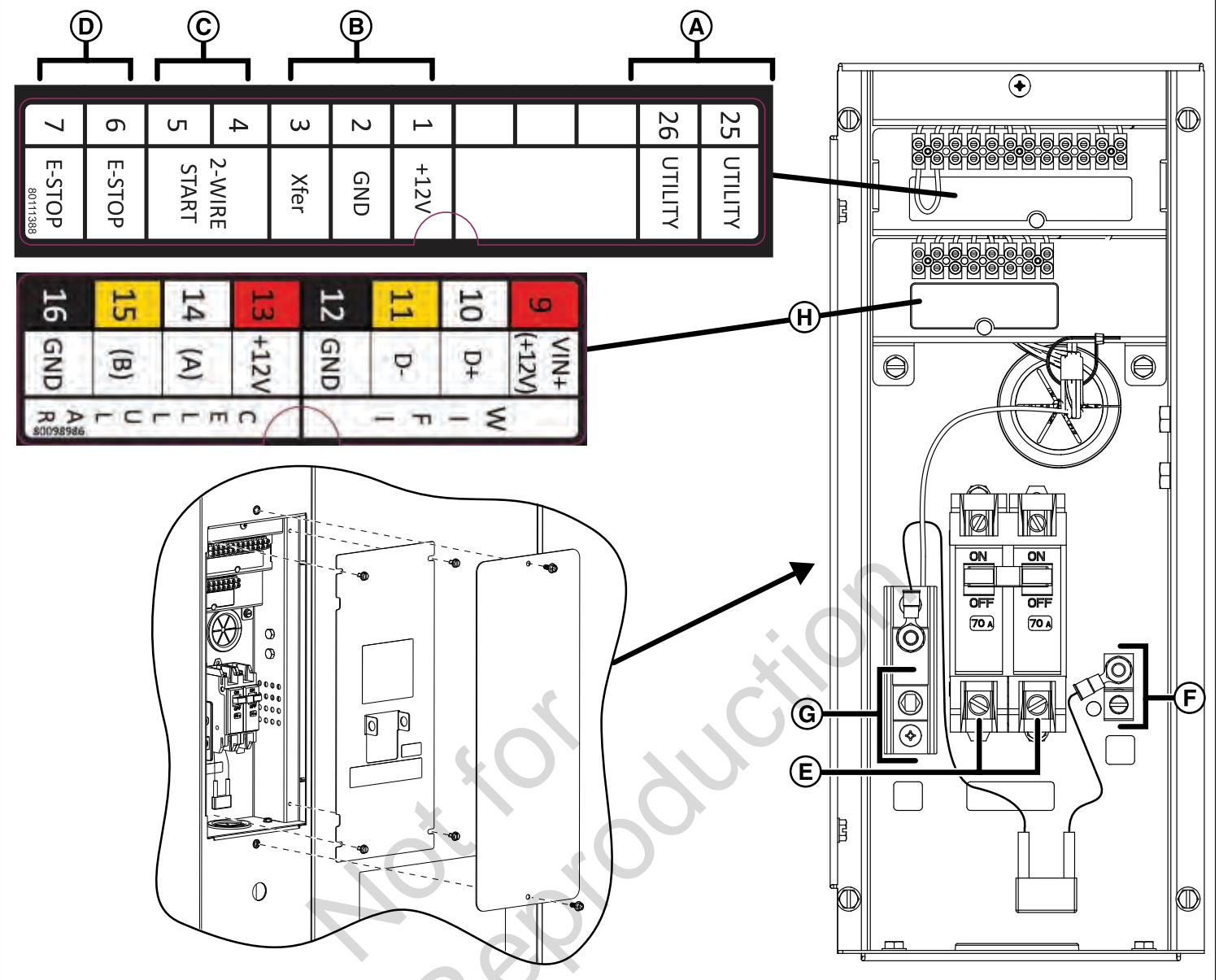
AVISO Si es necesario, amplíe el orificio ciego para que puedan pasar los cables.

AVISO Utilice una aspiradora para eliminar la suciedad o las virutas de metal dentro y alrededor del generador. No utilice un soplador o aire comprimido, ya que pueden quedar residuos atrapados en los componentes eléctricos y mecánicos. Esto puede causar daños o mal funcionamiento.

3. Retire los sujetadores (A, Figura 16) de la placa inferior de la caja de conexiones de campo.
4. Tire de los cables hacia arriba a través del pasacables de caucho (B) y hacia la caja de conexiones de campo.
5. Instale la placa inferior en las lengüetas de la caja de conexiones de campo con los sujetadores (A).
6. Haga las conexiones de campo como se muestra en la imagen (Figura 17) y la tabla que siguen.
7. Instale los paneles de acceso a las conexiones de campo consulte la sección *Paneles de acceso: instalación y remoción*.

16





Leyenda (Figura 17):

- (A) Bloque de terminales de conexiones a la red pública y de campo - Conecta la red pública de 240 VAC desde el bloque de fusibles en el interruptor de transferencia automática (ATS) al controlador. Conecte sólo un cable por terminal. Consulte la siguiente tabla para conocer las conexiones de campo.
- (B) Conexión del interruptor de transferencia: controla el interruptor de transferencia.
- (C) Arranque a dos cables: Ayuda a proporcionar el contacto de arranque remoto opcional.
- (D) Parada de emergencia: use con la parada de emergencia externa opcional
- (E) Conexión de energía (L1 y L2): conecta al interruptor de transferencia
- (F) Conexión a tierra: conecta al cable de tierra del interruptor de transferencia
- (G) Conexión neutra: conecta al cable neutro del interruptor de transferencia
- (H) Bloque terminal de comunicaciones: consulte la tabla a continuación:

Número de pin	Descripción	Tipo de cable	Conectar a	Notas
1	+12 V	18 AWG [1 mm ²] conductores, 600 V mínimo, 90 °C de cable de Cu	Interruptor de transferencia del controlador básico J7-8 12 VDC	Señal de transferencia del interruptor de transferencia (solo funciona con el controlador de interruptor de transferencia básica)
2	GND	18 AWG [1 mm ²] conductores, 600 V mínimo, 90 °C de cable de Cu	Interruptor de transferencia del controlador básico J7-7 GND	

Número de pin	Descripción	Tipo de cable	Conectar a	Notas
3	Xfer (Transferencia)	18 AWG [1 mm ²] conductores, 600 V mínimo, 90 °C de cable de Cu	Interruptor de transferencia del controlador básico J7-4 T/ R	
4	ARRANQUE A DOS CABLES	18 AWG [1 mm ²] conductores, 600 V mínimo, 90 °C de cable de Cu	Consulte el manual del interruptor de transferencia para verificar si esta función está disponible	Contacto cerrado para el inicio del grupo electrógeno (Genset). (Solo para el interruptor de transferencia que proporciona esta opción) . El control de la red debe ser desactivado en el controlador
5	ARRANQUE A DOS CABLES	18 AWG [1 mm ²] conductores, 600 V mínimo, 90 °C de cable de Cu		
6	PARADA DE EMERGENCIA	18 AWG [1 mm ²] conductores, 600 V mínimo, 90 °C de cable de Cu	Interruptor de parada de emergencia	Contacto abierto para apagar el Genset
7	PARADA DE EMERGENCIA	18 AWG [1 mm ²] conductores, 600 V mínimo, 90 °C de cable de Cu	Interruptor de parada de emergencia	
8	No se usa	-	-	-
9	VIN+ (+12 V)	18 AWG [1 mm ²] conductores, 600 V mínimo, 90 °C de cable de Cu	Consulte el manual de la puerta de enlace de amplificación	Módulo de comunicación a WIFI Par trenzado #1: +12V y GND Par trenzado #2: (D-) y (D+).
10	D-	18 AWG [1 mm ²] conductores, 600 V mínimo, 90 °C de cable de Cu		
11	D+	18 AWG [1 mm ²] conductores, 600 V mínimo, 90 °C de cable de Cu		
12	GND	18 AWG [1 mm ²] conductores, 600 V mínimo, 90 °C de cable de Cu		
13	+12 V	18 AWG [1 mm ²] conductores, 600 V mínimo, 90 °C de cable de Cu	No se usa	No se usa
14	(B)	18 AWG [1 mm ²] conductores, 600 V mínimo, 90 °C de cable de Cu		
15	(A)	18 AWG [1 mm ²] conductores, 600 V mínimo, 90 °C de cable de Cu		
16	GND	18 AWG [1 mm ²] conductores, 600 V mínimo, 90 °C de cable de Cu		
25	25	14 AWG [2,5 mm ²] 600 V mínimo, 90 °C cable de Cu	Interruptor de transferencia de la red pública	Suministra energía al cargador de batería del generador, al controlador, al calentador de la batería opcional, al calentador de aceite opcional y al calentador del regulador de combustible opcional. Además, cuando se pierde el voltaje en estos cables en el modo AUTO, el generador arrancará si el control de la red está activado (ajuste predeterminado).
26	26	14 AWG [2,5 mm ²] 600 V mínimo, 90 °C cable de Cu	Interruptor de transferencia de la red pública	

- Para la conexión de la salida de energía (L1, L2, Neutro (N), y Tierra), refiérase al National Electric Code (NEC) y a los códigos locales para conocer las especificaciones correctas de los cables.
- Para los cables de comunicación use conductores de par trenzado #18 AWG [1 mm²] de no más de 500 pies (150 m) de largo, cable de 600 voltios.
- Al conectarlo al bloque de terminales, sólo hay que sujetar un cable a cada tornillo del conector.
- Al bloque de terminales se le aplica un par de torsión de 4,4 pulg-lb [0,5 Newton metro (N·m)].

Especificaciones de la conexión

Conexión	Clasificación de temperatura: °F (°C)	Tamaño de cable recomendado (AWG)	Especificaciones de par de torsión
Disyuntor de circuito (cobre o aluminio)	140 °F/167 °F (60 °C/75 °C)	6 a 1/0	45 pulg-lb (5,08 N·m)
Terminal neutral (cobre o aluminio)	167 °F (75 °C)	2/0 a 14 Cobre 2/0 a 12 Aluminio	120 pulg-lb (13,56 N·m)
Terminal de conexión a tierra (cobre o aluminio)	194 °F (90 °C)	14 a 2	50 pulg-lb (5,65 N·m)

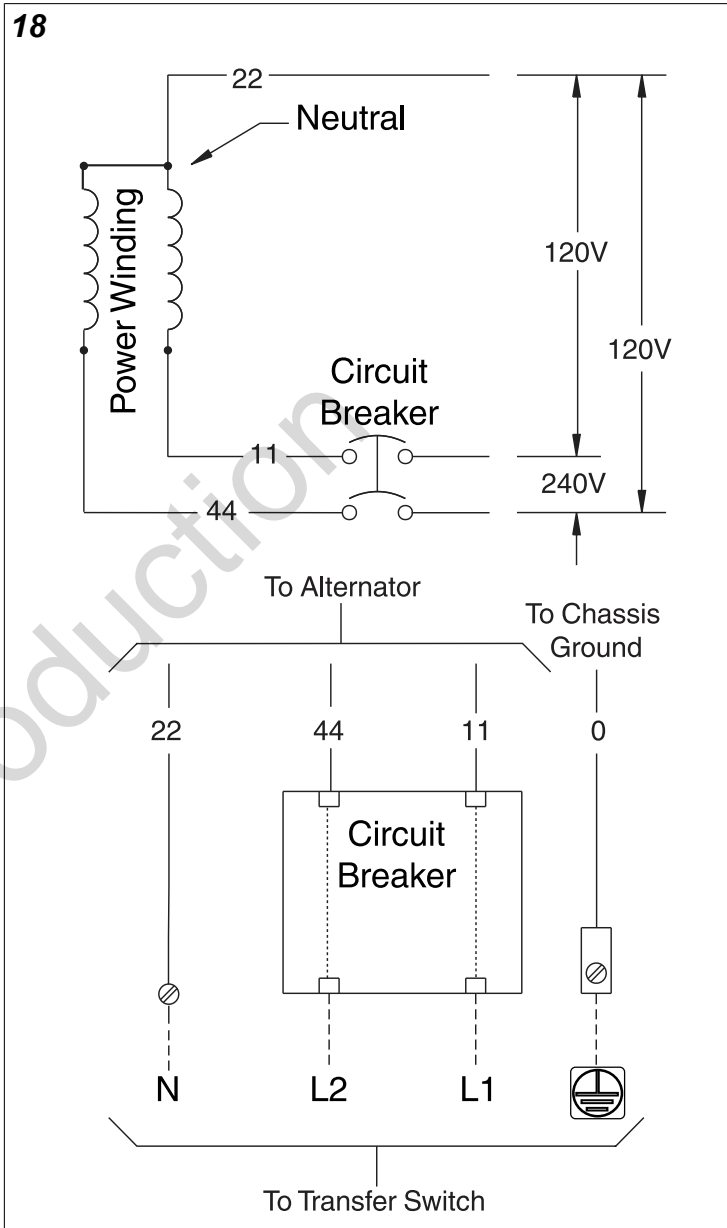
Conexiones del sistema de AC

El generador utiliza un sistema de conexión de CA monofásico de tres cables (Figura 18). El montaje del estator consta de un par de devanados estacionarios con dos conductores que salen de cada devanado. La unión de los conductores 22 y 33 forma el conductor neutro.

AVISO: El neutro no está unido a la tierra en el generador.

AVISO: El generador debe usarse con un interruptor de transferencia con certificación UL que sea compatible con el generador.

Solo use el generador con un interruptor de transferencia listado que sea compatible con el generador.



Puesta a tierra del generador

A menos que lo exija el código local, no es necesaria la puesta a tierra adicional del chasis en el generador. Cualquier puesta a tierra en el generador debe usar arandelas de bloqueo con dentado interior (o su equivalente). Todos los terminales enumerados deben instalarse según las instrucciones del proveedor del terminal. Todas las

instalaciones de conexión a tierra y terminales deben cumplir con los códigos eléctricos nacionales y los requisitos locales.

Aceite del motor

AVISO: Cualquier intento de arrancar el motor antes de que se llene correctamente con el aceite que se recomienda provocará fallas en el equipo y en los códigos de servicio.

- Consulte la sección de *Mantenimiento* en la sección de *Funcionamiento* de este manual para obtener información sobre el llenado de aceite.
- Los daños en el equipo que resulten del incumplimiento de esta instrucción anularán la garantía del motor y del generador.

Este motor se envía de fábrica con una precarga y se aprovisionó con aceite sintético (API SJ/CF 5W-30). Esto permite el funcionamiento del sistema en una amplia gama de condiciones de temperatura y clima. Antes de arrancar el motor, compruebe el nivel de aceite como se describe en la sección *Mantenimiento* de este manual.

El uso de aceite totalmente sintético no altera los intervalos de cambio de aceite requeridos que se describen en la sección *Operación* de este manual.

Batería

ADVERTENCIA 

Las baterías almacenadas emiten gas hidrógeno explosivo durante las recargas. La chispa más pequeña podría encender el hidrógeno y causar una explosión, lo que puede provocar la muerte o lesiones graves.

- NO elimine una batería en el fuego. Recicle la batería.
- NO permita que se produzca ninguna llama abierta, chispa o calor, ni encienda un cigarrillo mientras carga la batería o durante varios minutos después de la carga.
- Descargue la electricidad estática del cuerpo antes de tocar las baterías, tocando primero una superficie metálica conectada a tierra.

ADVERTENCIA  

El fluido de electrolito de las baterías contiene ácido y es extremadamente cáustico. El contacto con el contenido de la batería podría producir quemaduras químicas graves.

- NO abra ni altere la batería.
- Use gafas de protección, así como delantal, botas y guantes de goma.
- Lave inmediatamente el electrolito de la piel con agua.
- Si el electrolito entra en contacto con los ojos, enjuague inmediatamente con agua y busque atención médica.
- El electrolito derramado debe limpiarse con un agente neutralizador de ácido.
- Una práctica habitual es utilizar una solución de una libra (500 gramos) de bicarbonato de sodio por cada galón (4 litros) de agua. La solución de bicarbonato de sodio se debe agregar hasta que desaparezca la evidencia de la reacción (la espuma). El líquido resultante se debe enjuagar con agua y secar la zona.

El instalador debe suministrar e instalar una batería de arranque recargable de 12 V. La batería de arranque DEBE ajustarse a las especificaciones mostradas en el cuadro a continuación.

Especificaciones de la batería

Especificaciones	Estándar	Arranque en frío (menos de 30 °F/-1 °C)
Voltios	12 VDC	12 VDC
Amperios (mínimos)	540 CCA (Amperios de arranque en frío)	800 CCA (Amperios de arranque en frío)
Construcción	Ácido de plomo húmedo	Ácido de plomo húmedo
Tipo de terminal	Batería del tipo Top Post	Batería del tipo Top Post
Dimensiones (máximo)	Tamaño del ICB 26 o tamaño del ICB 51	Tamaño del ICB 24

ADVERTENCIA 

Con la batería conectada, el generador podría arrancar y ponerse en marcha sin advertencia, lo que podría provocar la muerte o lesiones graves.

- No conecte el cable negativo (-) en la batería hasta finalizar la instalación.

Instale la batería como se describe en *Mantenimiento de la batería* en la sección de *Mantenimiento* de este manual. Asegúrese de que el cable NEGATIVO se conecte en último lugar y que el aislante rojo del terminal POSITIVO esté seguro.

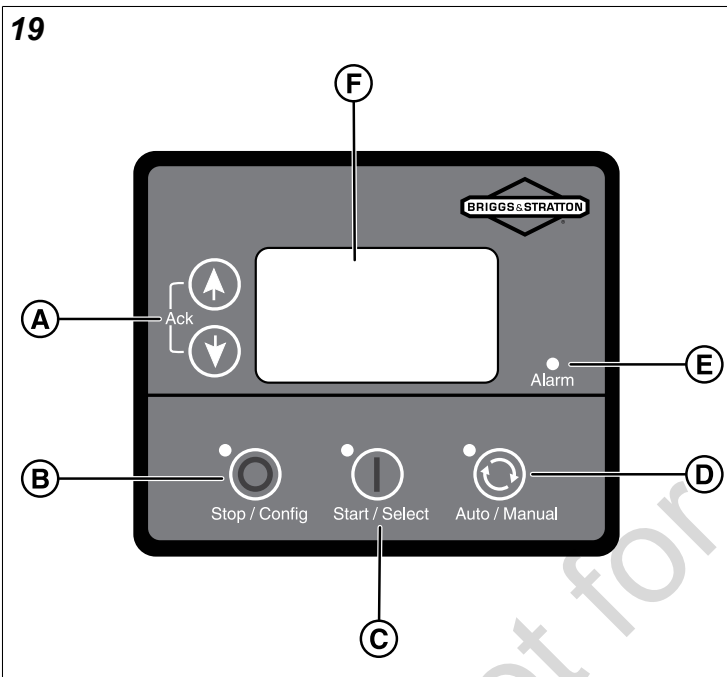
Controlador del sistema

El controlador del generador, situado en el interior de la carcasa del generador, se muestra en la imagen a continuación (Figura 19). Las descripciones breves de los controles utilizados durante la instalación son:

- (A) Menú/Programación Botones de navegación

- (B) Botón Parar/Configurar
- (C) Botón de Inicio/Selección
- (D) Botón Auto/Manual
- (E) Alarma
- (F) Visualizador digital: muestra el modo generador, las opciones de menú y las alarmas

AVISO: Las descripciones detalladas de los controles se encuentran en la sección *Descripción de las teclas de control* dentro del manual en línea *“Instrucciones de operación del controlador GENSET de la serie GC1030”* asociado con su generador.



Arranque inicial (sin carga)

ADVERTENCIA

El calor/los gases de escape podrían encender combustibles y ocasionar un incendio, lo que podría ocasionar lesiones graves o la muerte.

- Retire todos los materiales combustibles del compartimiento del generador y de alrededor de este.

La unidad ha sido configurada para operar con GN en la fábrica. La conversión de combustible, si es necesario, debe hacerse antes de realizar estos pasos. Ver Conversión de combustible.

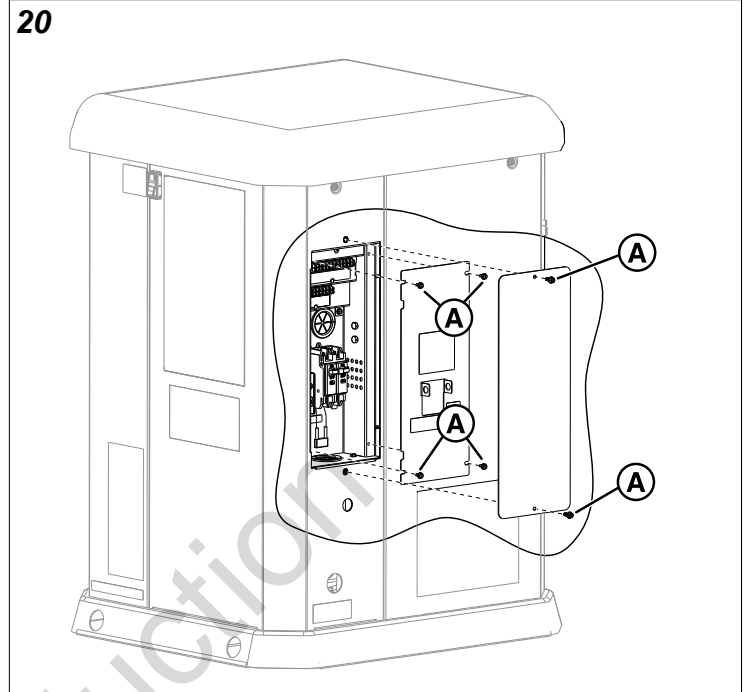
Antes de operar el generador de energía de emergencia o de ponerlo en servicio, inspeccione cuidadosamente toda la instalación. Entonces comience a probar el sistema sin cargas eléctricas conectada, como se muestra en los pasos a continuación:

1. Retire los tornillos (A, Figura 20) que fijan los paneles de acceso a las conexiones de campo para exponer el disyuntor del circuito de la unidad.
2. Conecte un multímetro preciso al lado de la línea del disyuntor del circuito principal del generador.
3. Ponga el disyuntor del circuito principal del generador en posición ENCENDIDO (cerrado).
4. Instale el fusible de 15 amp (consulte la ubicación del fusible en la sección *Características y controles*).
5. Coloque el interruptor ENCENDIDO/APAGADO en la posición ENCENDIDO (I) (consulte la ubicación del interruptor en la sección *Características y controles*).
6. Presione el botón INICIO/SELECCIÓN en el tablero de control. El motor arrancará en modo de bajo ralentí (MBR). Presione de nuevo para llevar el motor a máxima velocidad.

AVISO: Cuando el generador se encienda por primera vez, será necesario purgar el aire de las líneas de combustible gaseoso. Esto puede causar que el motor funcione bruscamente durante unos minutos

7. Escuche los ruidos inusuales, las vibraciones u otras indicaciones de funcionamiento anormal. Busque fugas de aceite mientras el motor está en marcha.
8. Deje que el motor se caliente durante aproximadamente 5 minutos para permitir que la temperatura interna se estabilice.
9. Revise la salida del generador en el lado de la carga del interruptor. El voltaje debe ser de 225 - 250 voltios y la frecuencia debe ser de 59 - 61 Hz.
10. Revise las salidas del generador entre un terminal de conexión del generador y el terminal neutral, y luego entre el otro terminal de conexión del generador y el terminal neutral. En ambos casos, la lectura del voltaje debe estar entre 112 y 125 voltios.

11. Presione el botón PARAR/CONFIGURAR en el tablero de control. El motor entrará en modo de enfriamiento durante aproximadamente 5 minutos. Para omitir el modo de enfriamiento, pulse de nuevo el botón DETENER/CONFIGURAR para detener el motor.
12. Instale la cubierta del disyuntor del circuito.
13. Cuando la prueba se complete y sea exitosa, instale el panel frontal y la cubierta si se retiraron.



Operación

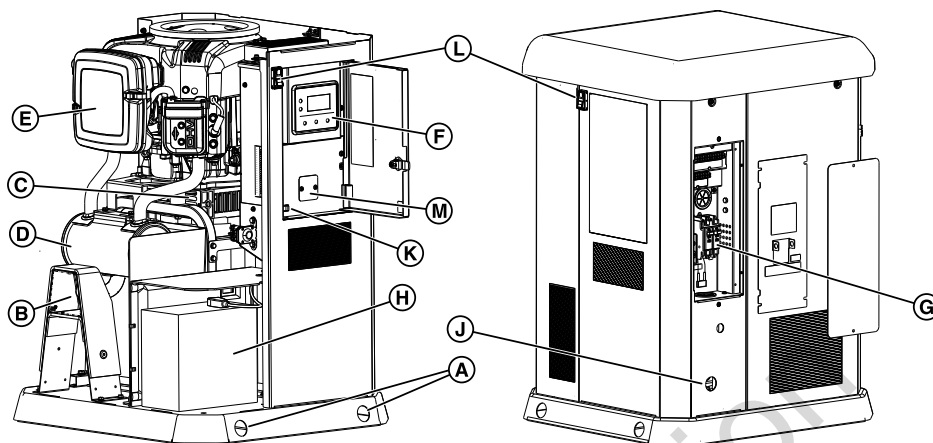
ADVERTENCIA

No leer y no seguir las instrucciones de operación, todas las advertencias y el manual del operador podría ocasionar lesiones graves o la muerte.

Características y controles

Generador de 13 kW (Figura 21)

21



El generador se muestra con el techo y las cubiertas de acceso retiradas para mayor claridad.

Leyenda:

- (A) Agujeros de elevación: proporcionados en cada esquina para levantar el generador.
- (B) Puerto de escape: el silenciador de alto rendimiento reduce el ruido del motor para cumplir con la mayoría de los códigos residenciales.
- (C) Alternador: una máquina eléctrica que genera una corriente alterna.
- (D) Silenciador: un dispositivo que reduce el ruido del motor.
- (E) Filtro de aire: utiliza un elemento filtrante de tipo seco para proteger el motor filtrando el polvo y los residuos del aire de admisión.
- (F) Controlador: se utiliza para varias funciones de prueba, operación y mantenimiento.
- (G) Disyuntor de circuito: protege el sistema de cortocircuitos y condiciones de sobrecargas de corriente.
- (H) Compartimiento de la batería: para el instalador se suministra una batería de 12 voltios DC que proporciona energía para el arranque del motor.
- (J) Puerto de entrada de combustible: adjunte el suministro de combustible apropiado al generador aquí.
- (K) Fusible: protege el sistema eléctrico de DC de cortocircuitos y otras condiciones de sobrecargas de corriente.
- (L) Interruptor ENCENDIDO/APAGADO: se utiliza para encender el generador (I) y apagarlo (O).
- (M)* Ventana de visualización de los LED del cargador de la batería: controla el voltaje de salida. Consulte la siguiente tabla para obtener información sobre etiquetas y colores.

* Luces LED del cargador de batería y significados

ETIQUETA	COLOR	DEFINICIÓN
REFUERZO MANUAL	Rojo	Modo Refuerzo manual: el voltaje de salida es de 14,4 V.
IMPULSO AUTOMÁTICO	Verde	Carga inicial: voltaje de salida en 13,7 V, batería de carga utilitaria
FLOTANTE	Azul	Batería cargada: bajo a menos de 13.2V
BATERÍA INVERSA	Rojo	Modo batería inversa: conexiones del cargador de batería invertidas

NOTAS:

1. Alternancia continua entre Azul y Verde = Cortocircuito en la salida del cargador

Consideraciones importantes del propietario

ADVERTENCIA

Las emisiones del motor contienen monóxido de carbono, un gas nocivo que podría causar la muerte en minutos. No es posible olerlo, verlo o saborearlo. Incluso si no huele los gases del escape, puede estar expuesto al monóxido de carbono.

- SE DEBEN instalar y mantener detectores de monóxido de carbono en interiores de acuerdo con las instrucciones o recomendaciones del fabricante. Los detectores de humo no detectan el gas de monóxido de carbono.
- Si usted comienza a sentirse enfermo, adormecido, débil o suena su alarma de monóxido de carbono al utilizar este producto, aléjese hacia un lugar con aire fresco de inmediato. Llame a los servicios de emergencia. Es probable que se haya intoxicado con monóxido de carbono.

Aceite del motor

El motor se envía desde la fábrica con precarga y lleno con aceite totalmente sintético (API SJ/CF 5W-30). Esto permite el funcionamiento del sistema en una amplia gama de condiciones de temperatura y clima. Antes de arrancar el motor, compruebe el nivel de aceite como se describe en la sección *Mantenimiento*.

AVISO: Cualquier intento de arrancar o encender el motor sin que esté correctamente lleno con el aceite recomendado tendrá como resultado una falla del equipo.

- Los daños en el equipo que resulten del incumplimiento de esta instrucción anularán la garantía del motor y del generador.

Batería

El instalador debe suministrar una batería de arranque recargable de 12 VDC. Consulte *Batería* en la sección *Instalación* en este manual.

Fusible de 15 amp

Asegúrese de que el fusible se instale correctamente antes de operar el generador.

Secuencia de operación automática

El controlador del generador monitorea el voltaje de la red pública. Si el voltaje de la red pública cae por debajo de un nivel preestablecido, el controlador envía una señal al motor para que arranque. Cuando el voltaje de la red eléctrica se restablece por encima de un nivel de voltaje preestablecido, el motor recibe señales para apagarse. La operación real del sistema no es ajustable y se secuencia mediante sensores y temporizadores en el controlador de la siguiente manera:

Sensor de caída de voltaje de la red pública

- Este sensor monitoriza el voltaje de la red pública.
- Si el voltaje de la fuente de la red pública cae por debajo de aproximadamente el 88 % del voltaje de suministro nominal, el sensor inicia un temporizador.
- El motor gira y arranca una vez que el temporizador ha expirado.

Sensor de recolección de voltaje de la red pública

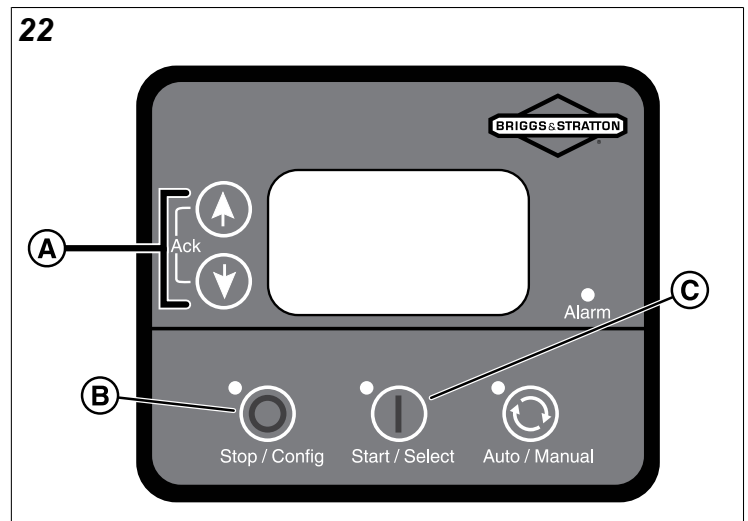
Este sensor monitoriza el voltaje de la red pública. Cuando el voltaje de la red pública se restablece por encima de aproximadamente el 90 % del voltaje nominal de la fuente, se inicia un temporizador de apagado y el motor se enfría.

Temporizador de enfriamiento del motor

Cuando el sistema detecta la energía del servicio público, la carga se transfiere a la fuente del servicio público y el motor entra en un período de enfriamiento de cinco minutos.

Configurar el temporizador de prueba

1. Presione y mantenga la presión del botón de PARAR/CONFIGURAR (B, Figura 22).
2. Pulse el botón ARRANQUE/SELECCIÓN (C) para entrar en el MODO ESCRITURA.
3. Introduzca la contraseña (0000) con las teclas de flecha (A) y el botón Inicio/Selección (C).
4. En la pantalla de CONFIGURACIÓN utilice las teclas de flecha (A) para encontrar "MÓDULO".
5. Presione el botón de INICIO/SELECCIÓN (C) y con las teclas de flecha (A) encuentre "ACTIVIDAD AUTOMÁTICA".
6. Presione el botón ARRANQUE/SELECCIÓN (C) y con las teclas de flecha (A) seleccione cada parámetro y elija los ajustes deseados.
7. Para guardar los ajustes cuando se termine, mantenga pulsado el botón PARAR/CONFIGURAR (B) hasta que aparezca "Guardando ajustes" en la pantalla.



Una lista detallada de todos los parámetros en pantalla se encuentra en la sección *Configuración de la GCU* dentro del manual en línea *“Instrucciones de operación del controlador del GENSET de la serie GC1030”* asociado con su generador.

Not for
Reproduction

Mantenimiento

Mantenimiento del servicio: Antes y después



ADVERTENCIA

El voltaje del generador y de la red pública podría provocar una descarga eléctrica o quemaduras, lo que podría ocasionar la muerte o lesiones graves.

- NO permita que personas no calificadas utilicen o reparen este equipo.



ADVERTENCIA

Con la batería conectada, el generador podría arrancar y ponerse en marcha sin advertencia, lo que podría provocar la muerte o lesiones graves.

- Antes de reparar el equipo, detenga el generador y desconecte el cable negativo (-) de la batería.

ANTES de realizar el mantenimiento en su generador, DEBE seguir los siguientes pasos que se indican a continuación:

1. Coloque el interruptor ENCENDIDO/APAGADO en la posición APAGADO (0) (consulte la ubicación del interruptor en la sección *Características y controles*).
2. Retire la energía de la red pública al generador para desactivar el cargador de la batería.
3. Desasegure y abra la cubierta como se describe en la sección *Paneles de acceso: Instalación y remoción*.
4. Retire todos los paneles de acceso necesarios para realizar el mantenimiento de su generador tal y como se describe en la sección *Tableros de acceso: Instalación y remoción*.
5. Desconecte el cable negativo (-) de la batería.
6. Retire el fusible de 15 amperios del portafusibles (consulte la ubicación del fusible en la sección *Características y controles*).
7. Complete los pasos de servicio como se especifica.

DESPUÉS de realizar el mantenimiento de su generador, DEBE seguir los pasos que se indican a continuación:

8. Conecte el cable negativo (-) a la batería.
9. Instale todos los paneles de acceso que fueron removidos en su generador como se describe en la sección *Paneles de Acceso: Instalación y remoción*.
10. Instale el fusible de 15 amperios en el portafusibles (consulte la ubicación del fusible en la sección *Características y controles*).

11. Cubierta y controlador: si el controlador del generador se encuentra en uno de los paneles laterales del gabinete, instale la cubierta si se retiró (consulte la sección *Paneles de acceso: instalación y remoción*). Si el controlador del generador se encuentra debajo de la cubierta, no cierre ni instale la cubierta todavía.
 12. Restaure la energía de la red pública al generador.
 13. Coloque el interruptor ENCENDIDO/APAGADO en la posición ENCENDIDO (I) (consulte la ubicación del interruptor en la sección *Características y controles*).
 14. Acceda al controlador del generador y ajuste el modo del generador a AUTO.
 15. Cierre y bloquee la puerta de acceso al controlador o cierre y bloquee la cubierta como se describe en la sección *Paneles de acceso: Instalación y remoción*.
- AVISO** Esto depende de dónde se encuentre el controlador del generador. Vea la sección *Paneles de acceso: Instalación y remoción*.

Plan de mantenimiento

Cumpla con los intervalos de operación por hora o por calendario, lo que ocurra primero.

Cada 8 horas de operación o diariamente
Limpie los residuos
Revise el nivel de aceite del motor
Cada 100 horas de operación o anualmente
Cambie el filtro de aire
Cambie el aceite del motor y el filtro
Reemplace las bujías
Verifique el espacio libre de la válvula
Compruebe los pares de apriete del disyuntor del circuito
Anualmente
Limpie las aberturas del refrigerador de aceite

El mantenimiento regular mejora el rendimiento y prolonga la vida útil del generador. Consulte a un distribuidor autorizado para el servicio.

Mantenimiento del generador

La garantía del generador no cubre los artículos que han sido objeto de abuso o negligencia por parte del operador. Para recibir el valor total de la garantía, el operador debe mantener el generador como se indica en este manual.

El generador requiere que el propietario lleve a cabo algunos ajustes periódicamente para mantenerlo correctamente.

Realice todo el servicio y los ajustes al menos una vez cada temporada. Obedezca los requisitos de la sección *Programa de mantenimiento*.

Mantenga la unidad limpia. Opere la unidad en un ambiente libre de polvo excesivo, suciedad, humedad o vapores corrosivos. No permita que las entradas y salidas de aire de refrigeración del gabinete se obstruyan con nieve, hojas u otros materiales extraños. Para evitar daños en el generador causados por el sobrecalentamiento, mantenga las entradas y salidas del recinto de refrigeración limpias y sin obstrucciones en todo momento.

Examine la limpieza de la unidad con frecuencia y límpiela cuando aparezca polvo, suciedad, aceite, humedad u otras sustancias extrañas en su superficie exterior e interior. Inspeccione las aberturas de entrada y salida de aire dentro y fuera del gabinete para asegurarse de que no haya obstrucciones en el flujo de aire.

AVISO: El tratamiento incorrecto del generador puede dañarlo y acortar su vida.

- NO exponga el generador a una excesiva humedad, polvo, suciedad o vapores corrosivos.
- NO inserte ningún objeto a través de las ranuras de refrigeración.

Limpieza del generador



ADVERTENCIA

El calor/los gases de escape podrían encender combustibles y ocasionar un incendio, lo que podría ocasionar lesiones graves o la muerte.

- Mantenga el área cercana al generador limpia y libre de desechos.

AVISO: NO use la aspersión directa de una manguera de jardín para limpiar el generador. El agua puede entrar en el motor y el generador y causar daños.

AVISO: Inspeccione periódicamente el exterior del motor para detectar contaminación y posibles daños por suciedad, hojas, roedores, telarañas, insectos, etc. y retírelos.

1. **Antes** de limpiar su generador, DEBE realizar los pasos 1-6 de la sección *Mantenimiento del sistema* y luego continuar con el paso 2 de esta sección.
2. Limpie el generador siguiendo los pasos a continuación:
 - a. Limpie las superficies exteriores con un paño húmedo.
 - b. Use un cepillo de cerdas suaves y una aspiradora para aflojar y recoger la suciedad y los residuos. Use aire a baja presión (que no exceda los 25 psi o 175 kPa) para eliminar la suciedad y los desechos.
 - c. Quite la nieve, las hojas o los desechos de las entradas y salidas de aire. Mantenga estas aberturas sin obstrucciones para evitar que el generador se dañe por sobrecalentamiento.
3. **Después** de limpiar su generador, DEBE seguir los pasos 8-15 de la sección *Mantenimiento del sistema*.

Mantenimiento del motor

Aceite del motor

Use solo aceite de motor sintético completo Briggs & Stratton® SAE 5W-30. Otros aceites detergentes de alta calidad totalmente sintéticos son aceptables si están clasificados para servicio SJ o superior.

Verificación del nivel de aceite del motor

AVISO La varilla indicadora de nivel de aceite o las marcas en ella (Figura 23) pueden tener un aspecto diferente a la correspondiente a su modelo de generador.

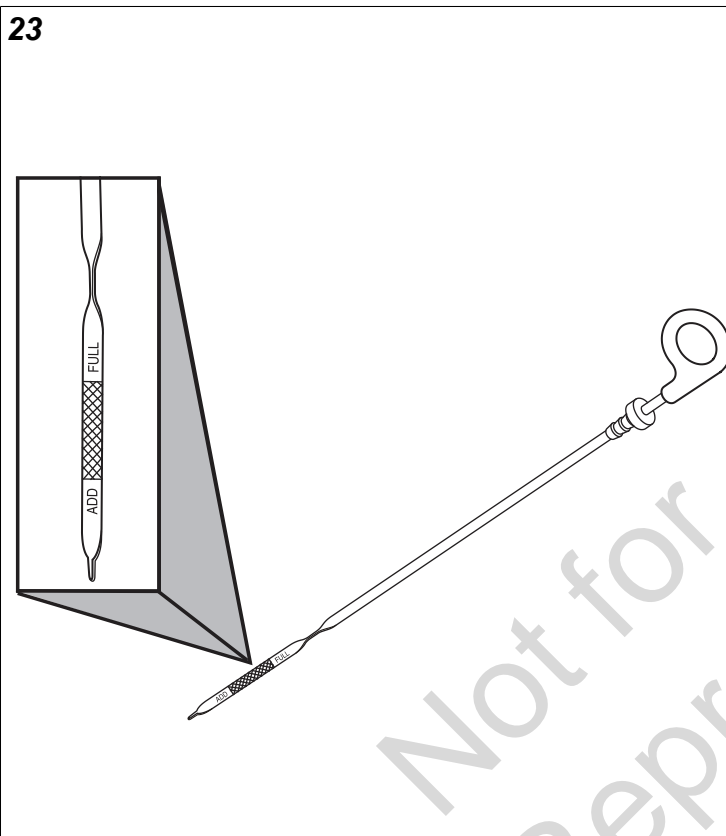
Mantenga el nivel de aceite entre las marcas "AÑADIR" y "LLENO" en la varilla medidora. Antes de verificar el nivel de aceite, siga estos pasos para asegurarse de que aparezca una lectura precisa en la varilla medidora:

El aceite debe mantenerse entre las marcas "AGREGAR" y "LLENO" de la varilla. Para asegurarse de que se muestre una lectura exacta en la varilla, asegúrese de seguir los siguientes pasos antes de verificar el nivel de aceite.

1. **Antes** de realizar el mantenimiento del motor de su generador, DEBE realizar los pasos 1-6 de la sección *Mantenimiento del sistema* y luego continuar con el paso 2 de esta sección.

- Si el generador ha estado en funcionamiento recientemente, espere cinco minutos para que el aceite se drene de nuevo en el depósito de aceite.
- Retire el tapón de la varilla. Límpiela con un paño limpio o una toalla de papel. Luego, empuje la varilla hasta el interior del tubo.
- Retire la varilla medidora y observe la cantidad de aceite que tiene. El aceite debe alcanzar un nivel entre las marcas "AÑADIR" y "LLENO" en la varilla medidora.
- Si el nivel de aceite está por debajo de la marca "AGREGAR" (Figura 23), inserte la varilla indicadora de nivel y proceda con el siguiente paso.

23



- Retire el tapón de llenado de aceite de la tapa de las válvulas.
- Añada la cantidad necesaria de aceite para que el nivel suba hasta, (pero no por encima), de la marca "LLENO" de la varilla. Instale el tapón de llenado de aceite en la tapa de la válvula y limpie el aceite derramado.
- Después** de realizar el mantenimiento del motor en su generador, DEBE realizar los pasos 8-15 de la sección *Mantenimiento del sistema*.

Cambie el aceite y el filtro de aceite

AVISO: Cambie el aceite mientras el motor aún está caliente por la operación.

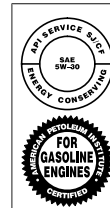
- Antes** de cambiar el aceite y el filtro de aceite de su generador, DEBE realizar los pasos 1-6 de la sección *Mantenimiento del sistema* y luego continuar con el paso 2 de esta sección.
- Coloque la manguera de drenaje de aceite en un recipiente aprobado.

- Retire el acople de metal del extremo de la manguera de drenaje de aceite.
- Vuelva a colocar el accesorio de latón en la manguera cuando se haya drenado el aceite.
- Ponga un recipiente aprobado debajo del área del filtro de aceite.
- Retire el filtro de aceite y deséchelo correctamente.
- Antes de instalar un nuevo filtro de aceite, lubrique ligeramente la junta del filtro de aceite con aceite fresco y limpio.
- Instale el filtro de aceite a mano hasta que la empaquetadura entre en contacto con el adaptador del filtro de aceite, luego apriete el filtro de aceite de $\frac{1}{2}$ a $\frac{3}{4}$ de giro.
- Añada la cantidad necesaria de aceite para que el nivel suba hasta, (pero no por encima), de la marca "LLENO" de la varilla. Instale el tapón de llenado de aceite y limpie cualquier derrame de aceite.
- Después** de cambiar el aceite y el filtro de aceite de su generador, DEBE realizar los pasos 8-15 de la sección *Mantenimiento del sistema*.

Aceite del motor

El motor está lleno de aceite completamente sintético (API SJ/CF 5W-30). Este aceite permite la operación del sistema en el más amplio rango de temperaturas y condiciones climáticas.

Recomendamos el uso de aceite de motor totalmente sintético Briggs & Stratton® SAE 5W-30. Otros aceites detergentes completamente sintéticos de alta calidad son aceptables si están clasificados para servicio SJ o superior. No use aditivos especiales.



Un aceite aceptable a todas las temperaturas incluye el aceite totalmente sintético que:

- Cumple las normas GF-2 del Comité Consultivo Internacional de Especificación de Lubricantes (International Lubricant Specification Advisory Committee, ILSAC)
- Lleva la marca de certificación API
- Presenta un símbolo de servicio API con "SJ/CF energy conserving" o superior

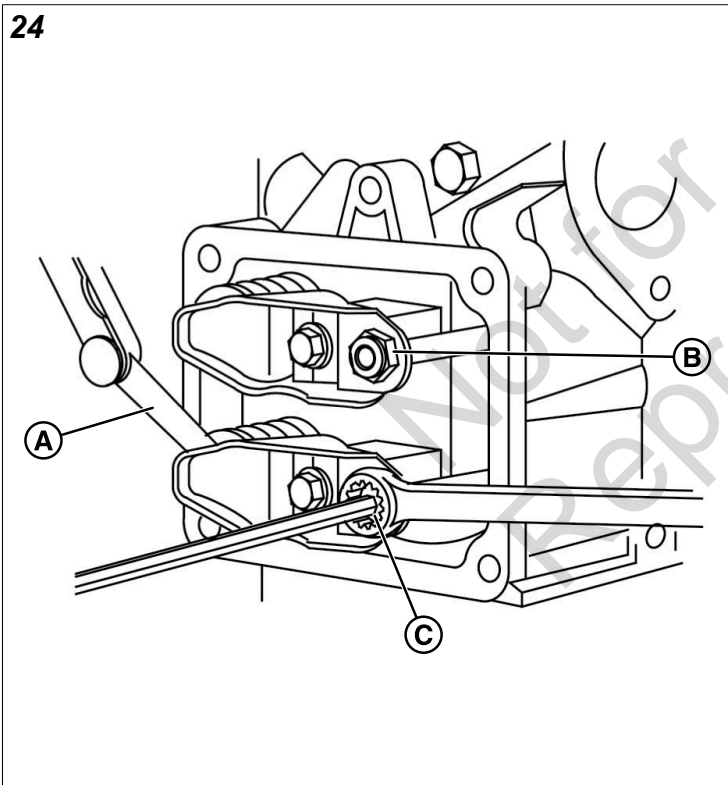
El uso de aceite sintético no altera los intervalos de cambio de aceite requeridos que se describen en la sección *Operación* de este manual.

Ajuste la luz de la válvula

La pestaña de la válvula debe ser revisada cada 100 horas de funcionamiento. Mida la holgura de la válvula con el motor frío. Para ajustar el espacio libre de la válvula, siga los pasos que se indican a continuación:

- Antes** de ajustar el espacio entre válvulas de su generador, DEBE realizar los pasos 1-6 de la sección *Mantenimiento del sistema* y luego continuar con el paso 2 de esta sección.

2. Retire ambas bujías para facilitar la rotación manual del cigüeñal del motor.
3. Gire el cigüeñal en sentido contrario a las agujas del reloj hasta que el pistón esté en el *punto muerto superior* en la carrera de compresión.
4. Ponga el cilindro No. 1 en ¼" (6 mm) pasado el punto muerto superior (PMS) en el recorrido de compresión.
5. Usando un calibrador de espesor (A, Figura 24), mida el espacio libre de la válvula.
6. Para un espacio libre adecuado de la válvula tanto para la admisión como para el escape ver la sección *Especificaciones del motor*.
7. Ajuste la holgura aflojando la tuerca de bloqueo (B), y luego gire el tornillo de ajuste (C).
8. Una vez que la holgura esté bien ajustada, sujete el tornillo de ajuste mientras aprieta la tuerca de seguridad a 70 in-lbs (8 Nm).
9. Repita estos pasos para el cilindro No. 2.
10. **Después** de ajustar el espacio entre válvulas de su generador, DEBE realizar los pasos 8-15 de la sección *Mantenimiento del sistema*.



Sistema de regulación electrónica

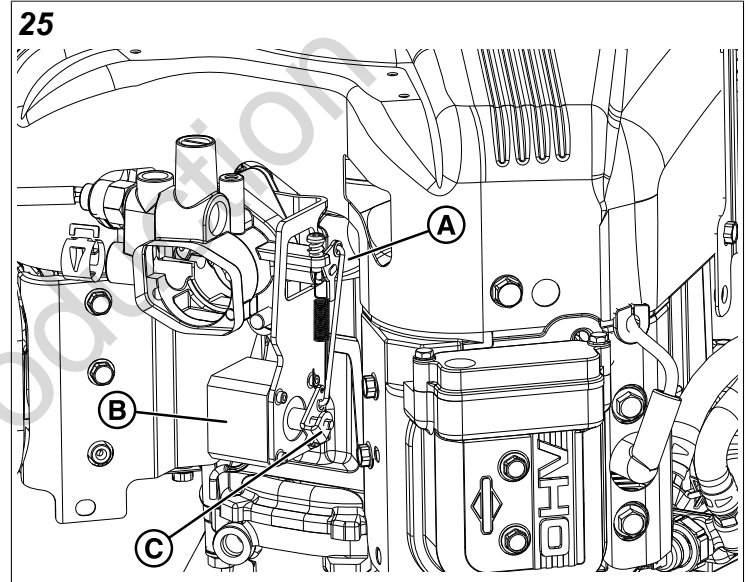
El sistema de regulación electrónica del motor ofrece un mejor control y un mayor rendimiento del generador en comparación con los sistemas controlados mecánicamente. El resultado es un funcionamiento suave y estable sin la "caza" común a muchos reguladores mecánicos. El sistema también reduce las variaciones de velocidad bajo la carga y descarga del motor y reduce significativamente la fluctuación de frecuencia que se experimenta cuando el motor está bajo cargas más altas.

El sistema del regulador electrónico se compone de un motor paso a paso (B, Figura 25), conexiones de control del acelerador del motor paso a paso (C) y conexión del lado del acelerador (A). El controlador del generador contiene un controlador digital que procesa la información de velocidad del motor y envía los comandos apropiados al motor paso a paso para controlar la posición del acelerador del motor.

Dado que el sistema de control electrónico controla la demanda de aceleración del motor en función de la carga del generador, los siguientes códigos y/o condiciones de servicio podrían surgir a partir de un problema del sistema de control electrónico:

- El motor no enciende
- Sobre velocidad
- Baja frecuencia
- Control de motor sin carga inestable

Mientras se soluciona cualquiera de estas condiciones, utilice la prueba del actuador del controlador para iniciar una verificación del sistema del regulador electrónico.



Comprobación del gobernador electrónico

El generador tiene un dispositivo de regulación electrónica que enciende el motor de pasos y mueve el acoplamiento del acelerador en el sentido de las agujas del reloj y en el sentido contrario dentro de los límites del acelerador. La prueba girará el motor paso a paso y moverá el brazo del acelerador entre el acelerador abierto y los límites de ralentí por hasta 10 segundos. Esta verificación le permite verificar visualmente si el motor paso a paso funciona correctamente o no y si los enlaces de control están conectados o no. El motor no intentará arrancar durante esta prueba. Si el motor paso a paso no se mueve o si un enlace se atasca, el generador requiere servicio.

AVISO: Si el motor a pasos no se mueve, asegúrese de que el conector del motor a pasos esté conectado.

Mantenimiento de las bujías



ADVERTENCIA

La chispa accidental del motor puede provocar una descarga eléctrica, un incendio o una explosión y podría resultar en un enredo, una amputación traumática o una laceración.

Antes de que realice ajustes o reparaciones:

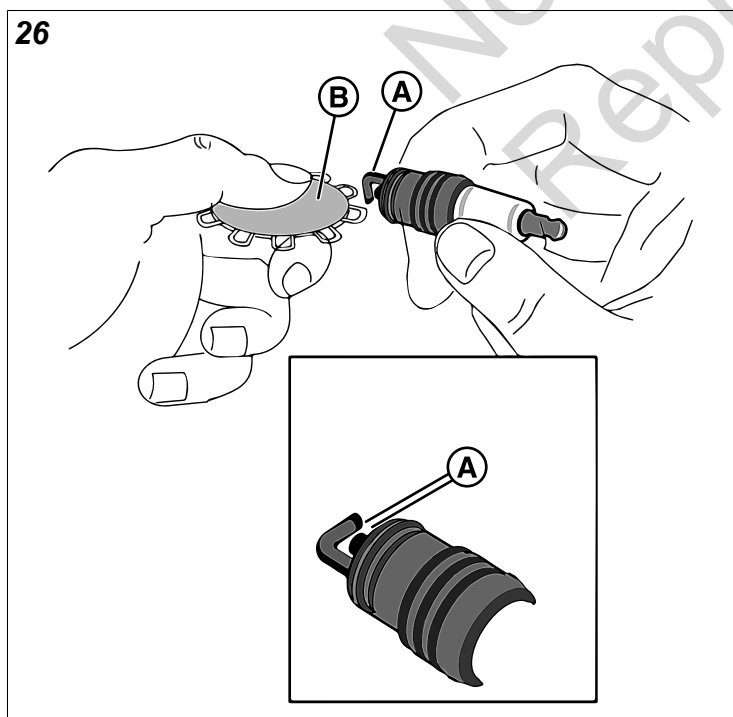
- Desconecte todos los cables de las bujías y manténgalos alejados de las bujías.
- Desconecte el cable de la batería del terminal negativo de la batería (solo motores con arranque eléctrico).
- Use solamente las herramientas correctas.

Cuando verifique si hay chispa:

- Use un probador de bujías aprobado.
- No revise si hay chispa con la bujía extraída.

El cambio de las bujías ayudará a que el motor arranque más fácilmente y funcione mejor.

1. **Antes** de realizar el mantenimiento de las bujías en su generador, DEBE realizar los pasos 1-6 de la sección *Mantenimiento del sistema* y luego continuar con el paso 2 de esta sección.
2. Limpie el área alrededor de las bujías.
3. Retire e inspeccione las bujías.
4. Revise la distancia entre electrodos (A, Figura 26) con una galga de espesores de alambre (B) y restablezca la separación entre bujías a la distancia recomendada si es necesario (consulte la sección *Especificaciones del motor*).



5. Cambie las bujías si los electrodos están picados, quemados o la porcelana está agrietada. Utilice las bujías de repuesto recomendadas (consulte la sección *Especificaciones del motor*).
6. Instale las bujías y apriételas a 180 pulg-lb (20 N·m).
7. **Después** de realizar el mantenimiento de las bujías en su generador, DEBE realizar los pasos 8-15 de la sección *Mantenimiento del sistema*.

Filtro del aire del motor



ADVERTENCIA

Los vapores gaseosos son inflamables y explosivos. El fuego o una explosión podrían provocar quemaduras o la muerte.

- No arranque y opere el motor sin el montaje de limpiador de aire (si tiene) o el filtro de aire (si tiene).
1. **Antes** de realizar el mantenimiento del filtro de aire del motor en su generador, DEBE realizar los pasos 1-6 de la sección *Mantenimiento del sistema* y luego continuar con el paso 2 de esta sección.
 2. Retire el cartucho del filtro.
 3. Limpie el tubo de salida y revise la válvula de descarga de polvo (si está equipada). Utilice un paño limpio para limpiar la superficie de sellado del filtro y las superficies del tubo de salida. Retire todos los contaminantes antes de insertar el nuevo filtro. No dañe el área donde se sella el tubo. Compruebe y apriete la válvula de descarga de polvo fijada a la tapa de servicio y asegúrese de que es flexible y no está invertida, dañada u obstruida.
 4. Limpie el filtro. Use un cepillo de cerdas suaves para aflojar la suciedad y una aspiradora para eliminar la suciedad y los desechos. Cambie el cartucho de filtro si encuentra algún agujero en el medio filtrante.
 5. Instale el filtro limpio correctamente. Inserte el filtro con cuidado. Asiente el filtro con la mano, asegurándose de que esté completamente asentado en la carcasa del filtro de aire antes de colocar la tapa en su lugar.
 6. Instale la cubierta de servicio. Asegúrese de que todas las bandas de montaje, abrazaderas, pernos y conexiones del sistema del filtro de aire estén apretados. Examine las tuberías en busca de agujeros y repárelos.
 7. **Después** de realizar el mantenimiento del filtro de aire del motor en su generador, DEBE realizar los pasos 8-15 de la sección *Mantenimiento del sistema*.

Mantenimiento del sistema de escape



ADVERTENCIA

El contacto con el área del silenciador podría causar quemaduras que podrían ocasionar lesiones graves.

- NO toque las piezas calientes y EVITE los gases de escape calientes.
- Deje que el equipo se enfríe antes de tocarlo.

Compruebe lo siguiente cuando inspeccione el sistema de escape:

- Inspeccione el colector de escape de la cabeza del cilindro en busca de fugas.
- Verifique que todos los pernos de retención y los escudos (si se usan) estén en su lugar.
- Inspeccione los cierres entre el colector y el tubo de escape para asegurarse de que se apretaron y que no hay fugas en el escape. Repare las fugas según sea necesario.
- Inspeccione la conexión de la tubería de escape en busca de fugas. Repare las fugas según sea necesario.

Es una infracción del Código de Recursos Públicos de California (California Public Resource Code), Sección 4442, utilizar u operar el motor en cualquier terreno forestal o cubierto por árboles o césped, a menos que el sistema de escape esté equipado con un supresor de chispas, en virtud de la Sección 4442, el cual se debe mantener en buenas condiciones de operación. Es posible que otros estados o jurisdicciones federales cuenten con leyes similares; consulte la Regulación Federal 36 CFR Sección 261.52.

Mantenimiento del sistema de combustible



El gas propano y el gas natural son extremadamente inflamables y explosivos y pueden causar quemaduras, incendios o explosiones que podrían ocasionar lesiones graves o la muerte.

- Examine el sistema de combustible periódicamente.
- NO puede haber ninguna pérdida.
- NO opere el motor si siente olor a combustible.

Regulador de presión

Los componentes del regulador y la presión han sido específicamente diseñados y calibrados para cumplir con los requisitos del sistema de combustible del motor.

Si el regulador no funciona o presenta una fuga, repárelo o reemplácelo con las piezas de repuesto correctas recomendadas por el OEM. Al examinar el regulador, compruebe lo siguiente:

- Compruebe si hay fugas de combustible en las conexiones de entrada y salida.
- Revise si hay fuga de combustible en el cuerpo del regulador.
- Asegúrese de que el regulador esté correctamente montado y que los pernos de montaje estén apretados.
- Examine el regulador en busca de daños externos.

Dispositivo de control del mezclador y del acelerador

Los componentes del mezclador y del cuerpo del acelerador se han diseñado específicamente para cumplir con los requisitos del sistema de combustible del motor.

Un filtro de aire sucio puede alterar significativamente el rendimiento del mezclador. Asegúrese que el filtro de aire esté limpio. Cuando examine el mezclador y el cuerpo del acelerador, verifique lo siguiente:

- Verifique si hay fugas en todas las instalaciones.
- Asegúrese que el mezclador y el cuerpo del acelerador se instalen bien.
- Examine y limpie el elemento del filtro de aire de acuerdo con los intervalos de servicio recomendados que se enumeran en la sección *Programa de mantenimiento*.
- Examine la conexión y la abrazadera de la manguera de entrada de aire. Examine la manguera en busca de grietas, rajaduras o rozaduras. Cambie la manguera si es necesario.
- Examine las líneas de combustible en busca de grietas, rajaduras o rozaduras. Reemplace las líneas de combustible si es necesario.
- Examine el cuerpo del acelerador y el colector de admisión en busca de fugas. Reemplace si es necesario.

Alarmas (Sistema de detección de códigos de servicio)

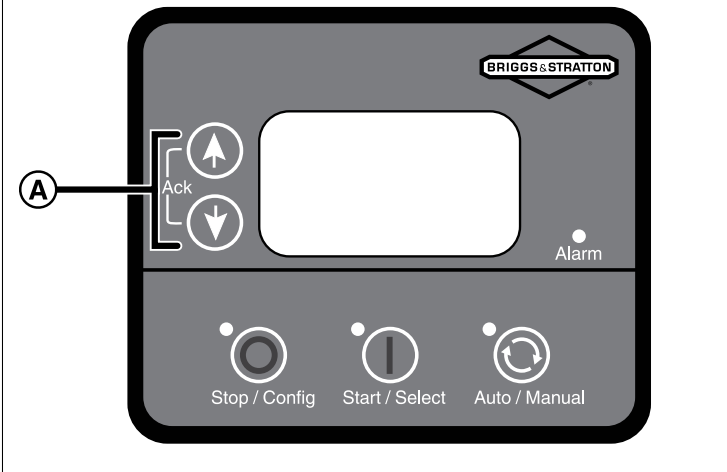
El generador funciona durante largos períodos de tiempo sin la presencia de un operador. Por ello, el sistema cuenta con sensores que detienen automáticamente el generador en condiciones potencialmente dañinas, como baja presión de aceite, alta temperatura, exceso de velocidad y otras condiciones.

Las descripciones de las alarmas de servicio aparecen en la pantalla digital del controlador del generador.

Consulte la sección *Alarmas* del manual en línea independiente titulado *Instrucciones de operación del controlador GE SERIE GC1030* para obtener detalles sobre las descripciones de las alarmas de servicio.

Reconozca y reinicie las alarmas

Presione las flechas arriba y abajo (A, Figura 27) simultáneamente para reiniciar la alarma.



Mantenimiento del sistema eléctrico

Cableado y conexiones

Los conectores del sistema eléctrico y las tomas de tierra requieren buenas conexiones. Cuando inspeccione el sistema eléctrico, compruebe lo siguiente:

- Examine los cables positivo (+) y negativo (-) de la batería en busca de corrosión, rozaduras, raspaduras o quemaduras. Asegúrese de que ambos extremos tengan las conexiones apretadas.
- Examine la batería en busca de grietas o daños en la carcasa. Reemplace las piezas, si es necesario.
- Examine el arnés de cables del motor para ver si hay roces, rozaduras, pellizcos, quemaduras y grietas o roturas en el cableado.
- Asegúrese de que los conectores del arnés del motor estén correctamente asegurados.
- Examine el cable de la bobina de encendido para ver si se endurece, agrieta, roza, quema, se separa y se parte la cubierta de la bota.
- Examine los cables de las bujías para ver si están endurecidos, agrietados, rozados, quemados, separados y con las tapas de las botas partidas.
- Reemplace las bujías en los intervalos requeridos enumerados en la sección *Programa de mantenimiento*.
- Asegúrese de que todos los componentes eléctricos estén bien montados en el motor o el chasis.
- Asegúrese de que cualquier servicio eléctrico adicional que se instale por el propietario esté correctamente instalado en el sistema.

Mantenimiento de la batería

Una persona con conocimiento de las baterías y sus precauciones requeridas debe reparar la batería o supervisar el mantenimiento de la batería. Mantenga al personal no autorizado alejado de las baterías.

ADVERTENCIA

El fluido de electrolito de las baterías contiene ácido y es extremadamente cáustico. El contacto con el contenido de la batería podría producir quemaduras químicas graves.

- NO abra ni altere la batería.
- Use gafas de protección, así como delantal, botas y guantes de goma.
- Lave inmediatamente el electrolito de la piel con agua.
- Si el electrolito entra en contacto con los ojos, enjuague inmediatamente con agua y busque atención médica.
- El electrolito derramado debe limpiarse con un agente neutralizador de ácido.
- Una práctica habitual es utilizar una solución de una libra (500 gramos) de bicarbonato de sodio por cada galón (4 litros) de agua. La solución de bicarbonato de sodio se debe agregar hasta que desaparezca la evidencia de la reacción (la espuma). El líquido resultante se debe enjuagar con agua y secar la zona.

ADVERTENCIA

Las baterías almacenadas emiten gas hidrógeno explosivo durante las recargas. La chispa más pequeña podría encender el hidrógeno y causar una explosión, lo que puede provocar la muerte o lesiones graves.

- NO elimine una batería en el fuego. Recicle la batería.
- NO permita que se produzca ninguna llama abierta, chispa o calor, ni encienda un cigarrillo mientras carga la batería o durante varios minutos después de la carga.
- Descargue la electricidad estática del cuerpo antes de tocar las baterías, tocando primero una superficie metálica conectada a tierra.

ADVERTENCIA

La alta corriente de cortocircuito de una batería puede provocar lesiones graves.

- Quítese el reloj, los anillos u otros objetos metálicos.
 - Use herramientas con mangos aislados.
 - Desconecte la fuente de carga antes de conectar o desconectar las terminales de la batería.
 - No coloque herramientas o partes metálicas encima de las baterías.
 - Desconecte el cable negativo (-) de la batería durante la instalación y mantenimiento.
1. Coloque el interruptor ENCENDIDO/APAGADO en la posición APAGADO (0) (consulte la ubicación del interruptor en la sección *Características y controles*).
 2. Retire la energía de la red pública al generador para desactivar el cargador de la batería.
 3. Desasegure y abra la cubierta como se describe en la sección *Paneles de acceso: Instalación y remoción*.
 4. Retire el fusible de 15 amperios (consulte la ubicación del fusible en la sección *Características y controles*).

5. Desconecte el cable negativo (-) de la batería.
6. Desconecte el cable positivo (+) de la batería.
7. Haga mantenimiento o reemplace la batería si es necesario.
8. Conecte el cable positivo (+) a la batería.
9. Conecte el cable negativo (-) a la batería.
10. Instale el fusible de 15 amperios en el portafusibles (consulte la ubicación del fusible en la sección *Características y controles*).
11. Cubierta y controlador: si el controlador del generador se encuentra en uno de los paneles laterales del gabinete, instale la cubierta si se retiró (consulte la sección *Paneles de acceso: instalación y remoción*). Si el controlador del generador se encuentra debajo de la cubierta, no cierre ni instale la cubierta todavía.
12. Restaure la energía de la red pública al generador.
13. Coloque el interruptor ENCENDIDO/APAGADO en la posición ENCENDIDO (I) (consulte la ubicación del interruptor en la sección *Características y controles*).
14. Acceda al controlador del generador y ajuste el modo del generador a AUTO.
15. Cierre y bloquee la puerta de acceso al controlador o cierre y bloquee la cubierta como se describe en la sección *Paneles de acceso: Instalación y remoción*.

AVISO Esto depende de dónde se encuentre el controlador del generador. Vea la sección *Paneles de acceso: Instalación y remoción*.

Reemplazo de la batería

Cuando reemplace las baterías, utilice el mismo número y tipo de baterías. Consulte el cuadro *Especificaciones de las baterías* en la sección *Baterías*.

1. Coloque el interruptor ENCENDIDO/APAGADO en la posición APAGADO (0) (consulte la ubicación del interruptor en la sección *Características y controles*).
2. Retire la energía de la red pública al generador para desactivar el cargador de la batería.
3. Desasegure y abra la cubierta como se describe en la sección *Paneles de acceso: Instalación y remoción*.
4. Retire el fusible de 15 amperios (consulte la ubicación del fusible en la sección *Características y controles*).
5. Desconecte el cable negativo (-) de la batería.
6. Desconecte el cable positivo (+) de la batería.
7. Retire la batería e instale una batería de repuesto.



NO CONTAMINE. PROTEJA LOS RECURSOS. DEVUELVA LA BATERÍA USADA AL CENTRO DE RECOLECCIÓN DE RECICLAJE.

8. Conecte el cable positivo (+) a la batería.
9. Conecte el cable negativo (-) a la batería.
10. Instale el fusible de 15 amperios en el portafusibles (consulte la ubicación del fusible en la sección *Características y controles*).

11. Cubierta y controlador: si el controlador del generador se encuentra en uno de los paneles laterales del gabinete, instale la cubierta si se retiró (consulte la sección *Paneles de acceso: instalación y remoción*). Si el controlador del generador se encuentra debajo de la cubierta, no cierre ni instale la cubierta todavía.
12. Restaure la energía de la red pública al generador.
13. Coloque el interruptor ENCENDIDO/APAGADO en la posición ENCENDIDO (I) (consulte la ubicación del interruptor en la sección *Características y controles*).
14. Acceda al controlador del generador y ajuste el modo del generador a AUTO.
15. Cierre y bloquee la puerta de acceso al controlador o cierre y bloquee la cubierta como se describe en la sección *Paneles de acceso: Instalación y remoción*.

AVISO Esto depende de dónde se encuentre el controlador del generador. Vea la sección *Paneles de acceso: Instalación y remoción*.

Carga de la batería

Si es necesario cargar la batería, proceda de la siguiente manera:

1. Coloque el interruptor ENCENDIDO/APAGADO en la posición APAGADO (0) (consulte la ubicación del interruptor en la sección *Características y controles*).
2. Retire la energía de la red pública al generador para desactivar el cargador de la batería.
3. Desasegure y abra la cubierta como se describe en la sección *Paneles de acceso: Instalación y remoción*.
4. Retire el fusible de 15 amperios (consulte la ubicación del fusible en la sección *Características y controles*).
5. Desconecte el cable negativo (-) de la batería.

AVISO Si no se desconecta el cable de la batería negativa, podría producirse una falla en el equipo. NO intente hacer puente para arrancar el generador. Los daños al equipo que resulten de no seguir estas instrucciones anularán la garantía del motor y del generador.

6. Cargue la batería con el cargador de batería a 2 amperios hasta que la batería tenga 12 V. NO exceda los 13,7 V cuando cargue la batería.

AVISO NO use un elevador de batería para cargar rápidamente una batería baja.

7. Conecte el cable negativo (-) a la batería.
8. Instale el fusible de 15 amperios en el portafusibles (consulte la ubicación del fusible en la sección *Características y controles*).
9. Cubierta y controlador: si el controlador del generador se encuentra en uno de los paneles laterales del gabinete, instale la cubierta si se retiró (consulte la sección *Paneles de acceso: instalación y remoción*). Si el controlador del generador se encuentra debajo de la cubierta, no cierre ni instale la cubierta todavía.
10. Restaure la energía de la red pública al generador.

11. Coloque el interruptor ENCENDIDO/APAGADO en la posición ENCENDIDO (I) (consulte la ubicación del interruptor en la sección *Características y controles*).
12. Acceda al controlador del generador y ajuste el modo del generador a AUTO.
13. Cierre y bloquee la puerta de acceso al controlador o cierre y bloquee la cubierta como se describe en la sección *Paneles de acceso: Instalación y remoción*.

AVISO Esto depende de dónde se encuentre el controlador del generador. Vea la sección *Paneles de acceso: Instalación y remoción*.

Not for
Reproduction

Solución de problemas

Tabla de solución de problemas

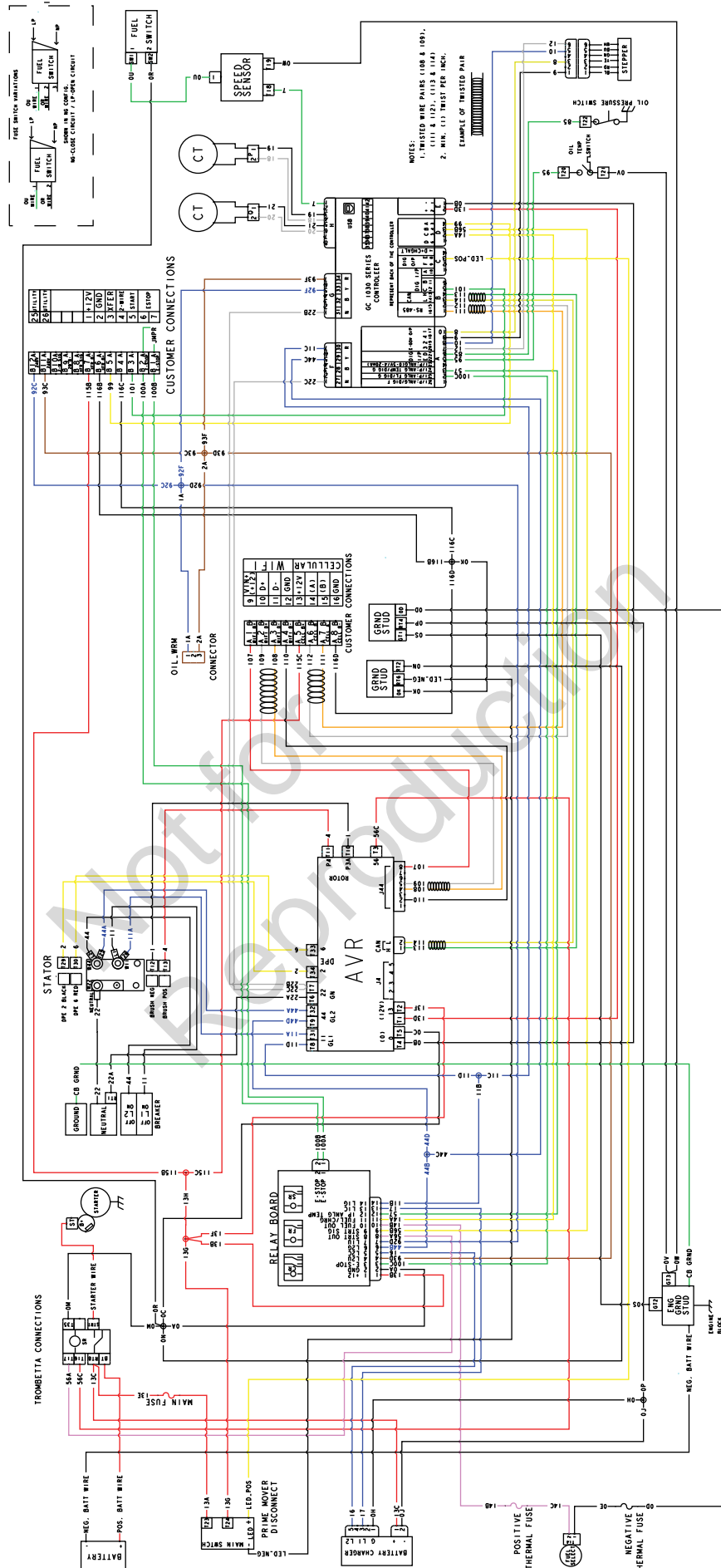
Consulte la sección *Alarmas* del manual en línea independiente titulado *Instrucciones de operación del controlador GE SERIE GC1030* para obtener detalles sobre la descripción y las causas de las alarmas de servicio. Llame al 800-732-2989 o visite www.briggsandstratton.com para obtener ayuda.

PROBLEMA	CAUSA	CORRECCIÓN
El motor está funcionando, pero no hay salida AC disponible.	<ol style="list-style-type: none"> 1. El disyuntor de circuito está abierto o defectuoso. 2. Se muestra una alarma en la pantalla digital del controlador. 3. Las conexiones de cableado son malas o el interruptor de transferencia está defectuoso. 	<ol style="list-style-type: none"> 1. Reinicie o reemplace el disyuntor del circuito. 2. Consulte el manual en línea independiente titulado <i>Instrucciones de operación del controlador GE SERIE GC1030</i> para obtener más información. Contacte con el servicio de instalación local. 3. Verifíquelo y repárelo o contacte con el servicio de instalación local.
El motor funciona bien sin carga, pero se "atasca" cuando las cargas están conectadas.	<ol style="list-style-type: none"> 1. El generador está sobrecargado. 2. Hay un cortocircuito en una carga conectada. 3. Un circuito del generador está en cortocircuito. 4. La presión o mezcla del combustible es incorrecta. 5. La línea de combustible entre el regulador y el motor está torcida. 6. El filtro de aire está obstruido. 	<ol style="list-style-type: none"> 1. Retire una o más cargas. 2. Desconecte la carga eléctrica en cortocircuito. 3. Contacte con el servicio de instalación local. 4. Consulte la sección <i>Plan de instalación de combustible</i> de este manual. 5. Retire la torcedura. Reemplace la línea si es necesario. 6. Limpie o cambie el filtro de aire.
El motor no arranca; o arranca y funciona inapropiadamente.	<ol style="list-style-type: none"> 1. Falta el fusible de 15 amperios o está fundido. 2. El (los) fusible(s) térmico(s) está(n) quemado(s). 3. El suministro de combustible está cerrado o agotado. 4. La selección de combustible en el controlador y el mezclador es incorrecta. 5. Batería defectuosa. 6. El filtro de aire está obstruido. 7. El varillaje del acelerador está atascado. 	<ol style="list-style-type: none"> 1. Instale un nuevo fusible de 15 amperios. Consulte la sección <i>características y controles</i>. Reemplace el(los) fusible(s) térmico(s). 2. Reemplace el(los) fusible(s) térmico(s). 3. Abra la(s) válvula(s) de combustible y revise el tanque de propano. 4. Verifique el perfil del controlador y ajústelo al perfil correcto. Verifique los tornillos del mezclador y ajústelos en las posiciones correctas. 5. Reemplace la batería. 6. Limpie o cambie el filtro de aire. 7. Verifique el enlace.
El motor se apaga durante la operación.	<ol style="list-style-type: none"> 1. El suministro de combustible está cerrado o agotado. 2. Se muestra una alarma en la pantalla digital del controlador. 	<ol style="list-style-type: none"> 1. Revise las válvulas de combustible y llene el tanque de propano. 2. Consulte el manual en línea independiente titulado <i>Instrucciones de operación del controlador GE SERIE GC1030</i> para obtener más información. Contacte con el servicio de instalación local.
Los circuitos pierden potencia.	<ol style="list-style-type: none"> 1. Un disyuntor de circuito del generador está abierto. 2. El interruptor de transferencia presenta problemas. 	<ol style="list-style-type: none"> 1. Reinicie el disyuntor de circuito. 2. Consulte el manual del interruptor de transferencia.
La unidad no acciona.	<ol style="list-style-type: none"> 1. El tablero de control no está configurado en AUTO. 2. El temporizador de ejercicio no está configurado o está configurado en APAGADO. 3. La fecha y la hora de la unidad no están configuradas. 4. Batería defectuosa. 5. Falta el fusible de 15 amperios o está fundido. 	<ol style="list-style-type: none"> 1. Presione el botón AUTO en el controlador. 2. Configurar el temporizador de prueba 3. Configure la fecha y la hora de la unidad. 4. Reemplace la batería. 5. Instale un nuevo fusible de 15 amperios. Consulte la sección <i>Características y controles</i>.

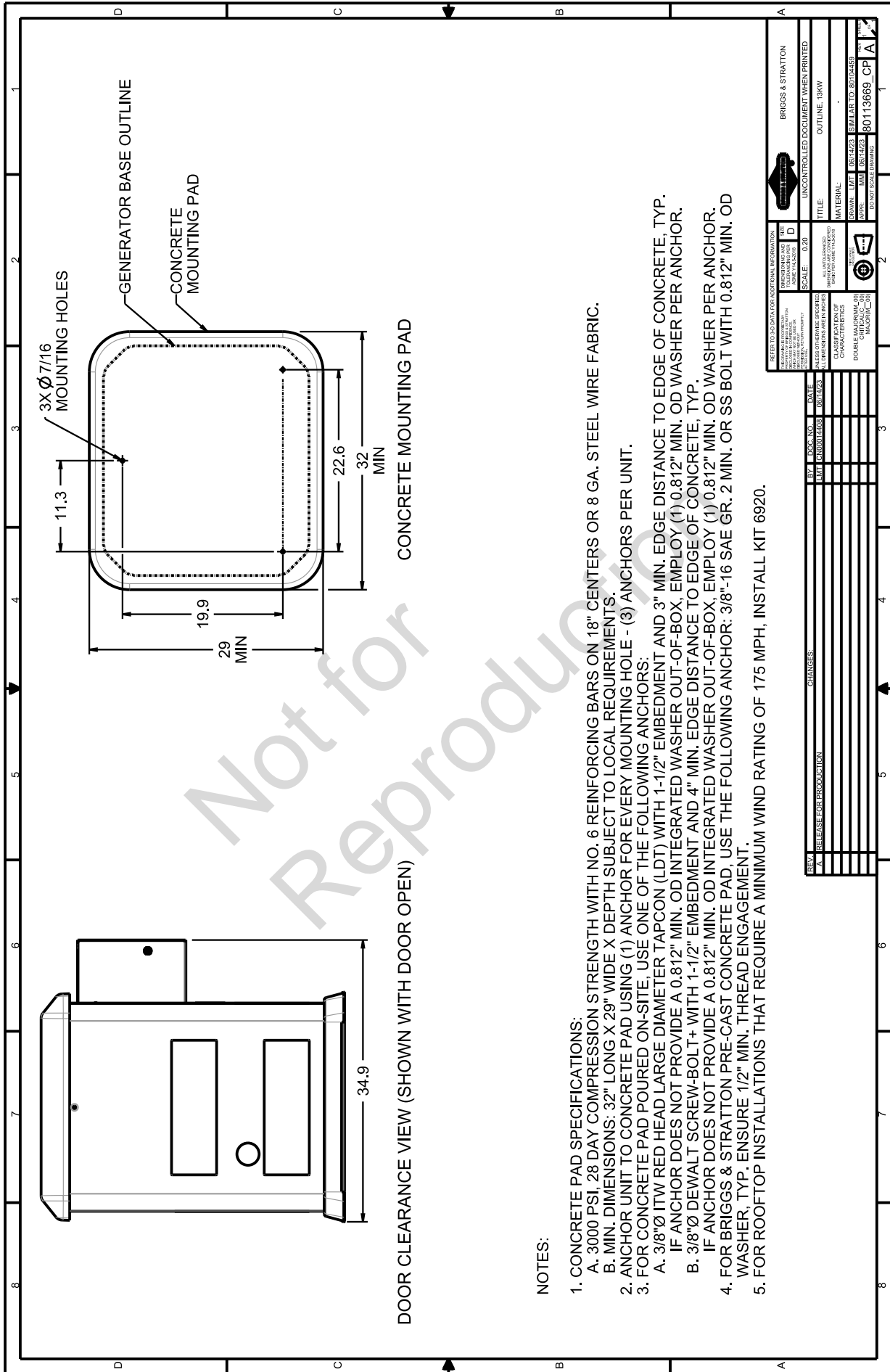
PROBLEMA	CAUSA	CORRECCIÓN
El generador sufre una vibración excesiva.	1. Un sujetador mecánico está flojo.	1. Verifíquelo y repárelo o contacte con el servicio de instalación local.
Hay olor a combustible.	1. Fuga de combustible.	1. Apague la válvula de combustible de cierre manual. Contacte con el servicio de instalación local.
La energía de la red pública regresa y la unidad no se detiene.	1. Los fusibles están quemados en el interruptor de transferencia. 2. El tiempo de reutilización de cinco minutos todavía está en proceso. 3. La conexión por cable es deficiente o los controladores están defectuosos.	1. Instale nuevos fusibles. 2. Espere cinco minutos. 3. Inspeccione y repare la unidad o póngase en contacto con el centro de servicio local.
Posibles problemas en el MODO MANUAL.	-	Consulte la tabla de <i>fallas comunes</i> y sus <i>acciones correctivas</i> dentro del manual en línea independiente titulado <i>Instrucciones de operación del controlador GE SERIE GC1030</i> para obtener detalles.
Posibles problemas en el MODO AUTOMÁTICO.	-	Consulte la tabla de <i>fallas comunes</i> y sus <i>acciones correctivas</i> dentro del manual en línea independiente titulado <i>Instrucciones de operación del controlador GE SERIE GC1030</i> para obtener detalles.
Posibles problemas con la regulación electrónica.	-	Consulte la tabla de <i>fallas comunes</i> y sus <i>acciones correctivas</i> dentro del manual en línea independiente titulado <i>Instrucciones de operación del controlador GE SERIE GC1030</i> para obtener detalles.

Not for
Reproduction

Diagrama y esquema de cableado



Especificaciones de la plataforma de concreto



DOOR CLEARANCE VIEW (SHOWN WITH DOOR OPEN)

NOTES:

1. CONCRETE PAD SPECIFICATIONS:
 - A. 3000 PSI, 28 DAY COMPRESSION STRENGTH WITH NO. 6 REINFORCING BARS ON 18" CENTERS OR 8 GA. STEEL WIRE FABRIC.
 - B. MIN. DIMENSIONS: 32" LONG X 29" WIDE X DEPTH SUBJECT TO LOCAL REQUIREMENTS.
2. ANCHOR UNIT TO CONCRETE PAD USING (1) ANCHOR FOR EVERY MOUNTING HOLE - (3) ANCHORS PER UNIT.
3. FOR CONCRETE PAD POURED ON-SITE, USE ONE OF THE FOLLOWING ANCHORS:
 - A. 3/8"Ø ITW RED HEAD LARGE DIAMETER TAPCON (LDT) WITH 1-1/2" EMBEDMENT AND 3" MIN. EDGE DISTANCE TO EDGE OF CONCRETE, TYP.
 - B. 3/8"Ø DEWALT SCREW-BOLT+ WITH 1-1/2" EMBEDMENT AND 4" MIN. EDGE DISTANCE TO EDGE OF CONCRETE, TYP.
4. IF ANCHOR DOES NOT PROVIDE A 0.812" MIN. OD INTEGRATED WASHER OUT-OF-BOX, EMPLOY (1) 0.812" MIN. OD WASHER PER ANCHOR.
5. IF ANCHOR DOES NOT PROVIDE A 0.812" MIN. OD INTEGRATED WASHER OUT-OF-BOX, EMPLOY (1) 0.812" MIN. OD WASHER PER ANCHOR.
6. FOR BRIGGS & STRATTON PRE-CAST CONCRETE PAD, USE THE FOLLOWING ANCHOR: 3/8"-16 SAE GR. 2 MIN. OR SS BOLT WITH 0.812" MIN. OD WASHER, TYP. ENSURE 1/2" MIN. THREAD ENGAGEMENT.
7. FOR ROOFTOP INSTALLATIONS THAT REQUIRE A MINIMUM WIND RATING OF 175 MPH, INSTALL KIT 6920.

UNCONTROLLED DOCUMENT WHEN PRINTED		BRIGGS & STRATTON	
SCALE: 0:20	DATE: 08/24/23	BY: LMT	08/24/23
TITLE: OUTLINE, 13KW		DRAWN: LMT 08/24/23	
MATERIAL: CONCRETE		CHECKED: LMT 08/24/23	
DESIGN: LMT 08/24/23		APPROVED: LMT 08/24/23	
PART NO: 80113669		REV: A	

REV	DATE	BY	LOGS NO.	DATE	CHANGES
A	08/24/23	LMT	08/24/23	08/24/23	RELEASE FOR PRODUCTION

Especificaciones

Especificaciones del generador de 13 kW

Corriente de carga máxima nominal (a 25 °C/77 °F, LP)*: a 240 voltios	54,2 amp	
Voltaje nominal de CA	120/240 Voltios	
Fase	Monofásico	
Frecuencia nominal	60 Hertz	
Disyuntor del generador	70 amp	
Rango de funcionamiento normal	-20 °F (28 °C) a 104 °F (40 °C)	
Clasificación de sonido *	Modo de bajo ralentí	64 db(A)
	Funcionamiento normal	70 db(A)
Peso con embalaje	168 kg (370 lb)	

* Según la norma ISO 3744. Micrófono más bajo a 23 pies (7 m) con la carga indicada.

Especificaciones del motor de 13 kW

Cilindrada	38,26 ci. (627 cc)
Diámetro interno del cilindro	2,972 pulg (75,5 mm)
Carrera	2,756 pulg (70 mm)
Entrehierro de la bujía	0,020 pulg (0,51 mm)
Torque de la bujía	180 lb-pulg (20 Nm)
Entrehierro del inducido	0,008 - 0,012 pulg (0,20 - 0,30 mm)
Espacio libre de la válvula de admisión	0,004 - 0,006 pulg (0,10 - 0,15 mm)
Espacio libre de la válvula de escape	0,007 - 0,009 in. (0,15 - 0,23 mm)
Tipo de aceite	5W30 totalmente sintético
Capacidad de aceite: con el filtro	42 - 45 oz. (1,24 - 1,33 L)
Perno de la cubierta del extremo del motor	220 lb-in (25 Nm)



Table des matières:

Consignes de sécurité importantes.....	81	Entretien du système d'échappement.....	112
Les symboles de sécurité et leur signification.....	81	Entretien du circuit d'alimentation.....	112
Symbole d'alerte de sécurité et mots de signal.....	81	Dispositif de commande du mélangeur et de la manette des gaz.....	112
Messages de sécurité.....	81	Alarmes (système de détection des codes de défaillance).....	113
Information pour l'utilisateur de la FCC Partie 15.....	82	Reconnaître et réarmer les alarmes.....	113
Informations générales.....	82	Entretien du système électrique de la génératrice.....	113
Merci.....	82	Dépannage	116
Comment nous joindre.....	82	Tableau de dépannage.....	116
À des fins de consultation ultérieure.....	82	Diagramme de câblage.....	118
Description de l'équipement.....	83	Spécifications du socle de béton.....	119
Utilisation du produit.....	83	Spécifications.....	120
Responsabilités de l'installateur.....	83	Spécifications de la génératrice : 13 kW.....	120
Responsabilités du propriétaire.....	83	Spécifications du moteur de 13 kW.....	120
Facteurs d'installation à considérer.....	83		
Inspection de la livraison.....	84		
Contenu de l'envoi.....	84		
Installation.....	84		
Positionnement de la génératrice.....	85		
Trousses pour temps froid.....	90		
Soulever la génératrice.....	90		
Ancrer la génératrice et les résistances au vent.....	91		
Emplacements de l'admission du carburant et de l'entrée électrique.....	91		
Panneaux d'accès : Installation et retrait.....	91		
Plan d'installation pour le carburant.....	93		
Connexions des champs électriques.....	96		
Huile à moteur.....	101		
Batterie.....	101		
Commande du système.....	101		
Démarrage initial (sans charge).....	103		
Utilisation.....	104		
Caractéristiques et commandes.....	104		
Considérations importantes pour le propriétaire.....	105		
Séquence de fonctionnement automatique.....	105		
Régler la minuterie de cycle d'exercice.....	105		
Entretien.....	107		
Entretien du système – Avant et après.....	107		
Calendrier d'entretien.....	108		
Entretien de la génératrice.....	108		
Nettoyer la génératrice.....	108		
Entretien du moteur.....	108		
Changer l'huile et le filtre à huile.....	109		
Régler l'espace de dégagement des soupapes.....	109		
Système de régulation électronique.....	110		
Vérification du régulateur électronique.....	110		
Entretien des bougies.....	111		
Filtre à air du moteur.....	111		


Consignes de sécurité importantes

CONSERVEZ CES INSTRUCTIONS – Ce manuel renferme d'importantes instructions à lire, à comprendre et à suivre durant l'installation de la génératrice et/ou des accessoires.

Les symboles de sécurité et leur signification

Symbole	Signification
	Le symbole d'alerte de sécurité indique un éventuel risque de lésion corporelle.
	Lire le manuel. Ne pas obéir aux avertissements, aux instructions et aux manuels d'installation et de l'utilisateur peut entraîner des blessures graves ou la mort.
	Explosion
	Décharge électrique
	Démarrage automatique
	Incendie
	Brûlure chimique
	Vapeurs toxiques
	Protection oculaire
	Surface chaude
	Pièces rotatives

Symbole d'alerte de sécurité et mots de signal

Le symbole d'alerte de sécurité  identifie l'information de sécurité relative aux dangers qui pourraient causer des blessures. Un mot de signalisation (**DANGER**, **AVERTISSEMENT** ou **ATTENTION**) est utilisé pour indiquer la possibilité et la gravité des blessures potentielles. En plus, un symbole de danger est utilisé pour représenter un type de danger.


DANGER indique un danger qui, si non évité, **provoquera** la mort ou des blessures graves.


AVERTISSEMENT indique un danger qui, si non évité, **pourrait** causer la mort ou des blessures graves.

ATTENTION indique un danger qui, si non évité, **pourrait** causer une blessure mineure ou modérée.

AVIS indique des informations considérées importantes, mais non liées aux dangers.

Messages de sécurité

AVERTISSEMENT  Ce produit peut vous exposer à des agents chimiques, y compris de l'huile à moteur usée, connue dans l'État de la Californie pour causer le cancer, ainsi que le monoxyde de carbone, connu dans l'État de la Californie pour causer des malformations congénitales ou les dommages à l'appareil reproducteur. Pour obtenir de plus amples renseignements, visitez le www.P65Warnings.ca.gov.

AVERTISSEMENT  Ce produit contient du plomb et des composés de plomb, connus dans l'État de la Californie pour causer des malformations congénitales ou les dommages à l'appareil reproducteur. Nettoyez-vous les mains après la manipulation de ce produit. Cancer et effets nocifs sur la reproduction – www.P65Warnings.ca.gov.

AVIS : Un traitement inadéquat de la génératrice peut l'endommager et réduire sa durée de vie utile.

- Utiliser la génératrice seulement pour les utilisations pour lesquelles elle est conçue. Consulter la section *Utilisation du produit* de ce manuel.
- Si vous avez des questions à propos de l'utilisation prévue de cet appareil, consulter votre détaillant autorisé.
- Utiliser la génératrice seulement sur une surface de niveau.
- Des débits d'air de refroidissement et d'aération adéquats et sans obstruction sont primordiaux au bon fonctionnement de la génératrice.
- La porte et les panneaux d'accès doivent être installés lorsque l'unité est en marche.
- NE PAS exposer la génératrice à de l'humidité excessive, à la poussière, aux saletés ou aux vapeurs corrosives.
- Demeurer alerte en tout temps lorsque vous travaillez sur cet équipement. Ne jamais travailler sur l'équipement si vous êtes fatigué physiquement ou mentalement.
- NE PAS insérer d'objet dans les fentes de refroidissement.
- NE PAS utiliser la génératrice ni aucune partie de celle-ci en guise de marche. Le fait de marcher sur l'unité peut causer des contraintes et briser des pièces. Cela peut entraîner des conditions de fonctionnement dangereuses à cause d'une fuite de gaz d'échappement, de carburant, d'huile, etc.
- Éteindre la génératrice si :
 - perte de puissance de sortie;
 - l'équipement produit des étincelles, de la fumée ou des flammes;
 - l'appareil vibre excessivement ou émet des bruits inhabituels.

Information pour l'utilisateur de la FCC Partie 15

Au titre de la partie 15.21 des règlements de la FCC, nous vous avertissons que tout changement ou que toute modification au produit que Briggs & Stratton n'a pas approuvé(e) expressément pourrait annuler votre autorité d'utiliser le produit.

Ces dispositifs se conforment à la section 15 du règlement de la FCC.

Le fonctionnement est assujéti aux conditions suivantes : (1) Ce dispositif ne doit pas générer d'interférences nuisibles, et (2) ce dispositif doit accepter toute interférence qui peut causer un fonctionnement non désiré.

Cet équipement a été testé et déclaré conforme aux limites d'interférences relatives aux appareils numériques de classe B de la section 15 du règlement de la FCC. Ces limites sont élaborées dans le but de fournir une protection raisonnable contre les interférences nuisibles dans une

installation résidentielle. Cet équipement génère, utilise et émet des radiofréquences et peut causer des interférences nuisibles aux communications radio lorsqu'il n'est pas installé et utilisé conformément à ces instructions. Cependant, nous ne pouvons pas vous garantir que des interférences ne se produiront pas dans certaines installations. Si cet équipement cause des interférences nuisibles à la réception de la radio ou de la télévision, ce qui peut être déterminé en allumant et éteignant l'équipement, essayez d'éliminer ces interférences en effectuant une ou plusieurs des mesures suivantes :

- Réorienter ou déplacer l'antenne réceptrice.
- Augmenter la distance entre l'équipement et le récepteur.
- Ne pas brancher l'équipement sur une prise du même circuit sur lequel est branché le récepteur.
- Communiquer avec le concessionnaire ou un technicien spécialiste des radios et télévisions pour obtenir de l'aide.

Informations générales

Pour la plupart des installations, le *manuel d'installation et d'utilisation* renferme tous les renseignements nécessaires à l'installation adéquate, à l'utilisation et à l'entretien de la génératrice. Briggs & Stratton s'efforce de fournir dans ce manuel des informations exactes et à jour. Briggs & Stratton se réserve le droit de changer, de modifier ou même d'améliorer le produit et ce document à tout moment sans préavis de notre part.

Merci

Nous vous remercions d'avoir acheté cette génératrice de qualité Briggs & Stratton®. Merci de faire confiance à la marque Briggs & Stratton. Si vous respectez les instructions d'utilisation et d'entretien du présent manuel, vous pourrez vous fier à votre système durant de nombreuses années. Ce manuel contient des renseignements sur la sécurité pour vous informer des dangers et des risques associés aux génératrices de secours et sur la façon de les éviter.

CONSERVER CES INSTRUCTIONS. Ce manuel renferme d'importantes instructions à suivre durant l'installation, le fonctionnement et l'entretien de la génératrice et des batteries.

Comment nous joindre

Vous n'aurez jamais à chercher bien loin pour trouver un centre de soutien et service pour votre équipement. Il y a plusieurs détaillants de service agréés partout dans le monde qui fournissent des services de qualité. Vous pouvez aussi communiquer avec le Service à la clientèle par téléphone au **800-732-2989** entre 8 h et 17 h (HC), ou cliquer sur l'outil de recherche d'un détaillant sur www.briggsandstratton.com pour obtenir une liste de détaillants autorisés.

À des fins de consultation ultérieure

Remplir les renseignements suivants et les conserver avec votre reçu. Ayez l'information à portée de main si vous

devez prendre contact avec votre installateur ou un détaillant autorisé à propos du service ou de la réparation de l'appareil.

Date d'achat : _____

Concessionnaire/détaillant :

Numéro de téléphone du concessionnaire/détaillant :

GÉNÉRATRICE :

Numéro de modèle : _____

Révision du modèle : _____

Numéro de série : _____

MOTEUR :

Numéro de modèle : _____

Numéro de série : _____

Description de l'équipement

AVIS : Ce produit NE se qualifie PAS comme génératrice d'urgence ou génératrice de secours légalement requise tel que défini par la NFPA 70 (NEC).

- Les génératrices d'urgence sont conçues pour alimenter automatiquement l'éclairage, l'alimentation électrique ou les deux à des zones et des équipements désignés dans le cas d'une panne de l'alimentation de service normale. Les génératrices d'urgence peuvent aussi fournir l'alimentation à des fonctions comme la ventilation aux endroits où elle est essentielle pour maintenir la vie, aux endroits où une interruption de l'alimentation électrique normale poserait des risques graves sur la sécurité ou la santé.
- Les génératrices de secours obligatoires selon la réglementation sont conçues pour alimenter automatiquement des charges sélectionnées dans le cas d'une panne de l'alimentation électrique normale qui poseraient des risques ou qui empêcheraient des opérations de sauvetage ou de lutte contre les incendies.

Utilisation du produit

Ce produit doit être utilisé en tant que système de génératrice optionnelle. Elle fournit une source d'électricité de rechange et des charges à des fins de système de chauffage, de climatisation et de communication qui, lorsqu'ils sont arrêtés durant une panne d'électricité, peuvent causer de l'inconfort ou d'autres désagréments.

Nous nous sommes efforcés de fournir dans ce manuel des informations exactes et à jour. Toutefois, nous nous réservons le droit de changer, de modifier ou même d'améliorer le produit et ce document à tout moment sans préavis de notre part.

Seuls des électriciens et des plombiers professionnels agréés doivent procéder à l'installation de génératrices. Les

installations doivent respecter tous les codes, normes de l'industrie, lois et règlements applicables.

Responsabilités de l'installateur

- Lire et suivre les instructions de sécurité, installation et fonctionnement indiquées dans le présent *manuel d'installation et d'utilisation*.
- Installer uniquement un commutateur de transfert homologué par le Nationally Recognised Testing Laboratory (Laboratoire d'essai reconnu au niveau national, NRTL) compatible avec la génératrice.
- Toute installation doit respecter les codes et des normes de l'industrie, ainsi que des lois et règlements applicables.
- Prévoir suffisamment d'espace de tous les côtés de la génératrice pour l'entretien et les réparations.
- Parler de l'emplacement de la génératrice avec le propriétaire.
- Parler avec le propriétaire à propos de détecteurs de monoxyde de carbone (CO) et détecteurs de fumées. Il incombe au propriétaire d'avoir des détecteurs de monoxyde de carbone et de fumée installés à l'intérieur et entretenus conformément aux instructions et recommandations du fabricant.
- Veiller à ce que TOUS les manuels soient remis au propriétaire une fois l'installation terminée.
- L'appareil doit être installé de façon à minimiser le risque de contact avec des personnes.

Responsabilités du propriétaire

- Lisez et suivez les instructions indiquées dans le présent guide *d'installation et d'utilisation*.
- Établir un programme d'entretien, de soins et d'utilisation régulier de la génératrice, comme indiqué dans ce manuel.
- Des détecteurs de monoxyde de carbone DOIVENT être installés à l'intérieur et entretenus conformément aux instructions et recommandations du fabricant. Les détecteurs de fumée ne détectent pas le monoxyde de carbone.
- Des détecteurs de fumée DOIVENT être installés et entretenus à l'intérieur conformément aux instructions et recommandations du fabricant. Les détecteurs de monoxyde de carbone ne détectent pas la fumée.

Facteurs d'installation à considérer

Les illustrations apparaissant dans ce manuel sont pour des cas types. Elles ont pour but de vous familiariser avec les différentes options d'installation de votre génératrice.

Au moment de négocier avec un installateur professionnel, il faudra tenir compte des facteurs suivants : les codes locaux et fédéraux, l'apparence, les niveaux de bruits, les types de carburant et les distances. Souvenez-vous que plus grandes sont les distances entre la génératrice et le service électrique existant ainsi que l'alimentation en carburant gazeux et plus il y a de coudes dans l'alimentation en gaz, plus il faudra faire

des compensations dans les matériaux de tuyauterie et dans le câblage. Ces modifications sont nécessaires pour vous conformer aux codes de sécurité locaux et pour surmonter les chutes de tension et les baisses de pression du carburant gazeux.

Inspection de la livraison

Éviter de laisser tomber, de cogner ou d'entrer en collision avec le carton d'emballage.

Retirer le carton et examiner soigneusement si la génératrice a subi des dommages pendant le transport.

Au moment de la livraison, si des dommages ou des pièces manquantes sont remarqués, le propriétaire doit demander au livreur de noter tous ces dommages ou ces pièces manquantes sur la facture de transport et d'apposer sa signature dans l'espace réservé à cette fin. Après la livraison, si le propriétaire note qu'il manque des pièces ou la présence de dommages, il doit mettre les pièces endommagées de côté et communiquer avec le transporteur pour connaître les procédures de réclamation. Les pièces manquantes ou endommagées ne sont pas garanties.

Contenu de l'envoi

La génératrice est livrée avec les éléments suivants :

- Huile (entièrement synthétique 5W30)
- Tuyau flexible pour le carburant
- Manuel d'utilisation express
- Livret de garantie du produit et des contrôles d'émissions
- Accès à deux clés
- Deux fusibles 15 A de type ATO
- Quatre capuchons pour les trous de levage
- Couvert de borne de batterie de +12 V

Non compris (articles nécessaires) :

- Détecteur(s) de monoxyde de carbone
- Détecteur(s) de fumée
- Batterie de démarrage
- Conduit et fil de branchement
- Vannes/tuyauterie d'alimentation en carburant
- Grue, sangles de levage, chaînes ou câbles
- Deux longueurs de 60 po (152 cm) de tuyau d'acier de calibre 40 de 3/4 po (1,9 cm) minimum (PAS le conduit)
- Tournevis dynamométrique, plage de 5 à 50 pouces-livres
- Multimètre

Installation



AVERTISSEMENT

La tension de la génératrice et de l'électricité de service pourrait causer un choc électrique ou des brûlures, provoquant la mort ou des blessures graves.

- L'installation doit être effectuée par un technicien professionnel.
- Déconnecter toutes les sources électriques avant d'installer ou d'entretenir l'équipement.
- Mettre le système à la terre avant d'alimenter.



AVERTISSEMENT

Tension dangereuse – Installer un câble haute et basse tension dans le même conduit pourrait causer un choc électrique ou des brûlures, provoquant la mort ou des blessures graves.

- Ne pas fixer les fils de basse et de haute tension dans le même conduit, sauf si la valeur nominale de l'isolation de TOUS les fils est de 600 V, consulter la norme NFPA 70 pour de plus amples informations.

Seuls nos professionnels spécialisés en électricité actuels sont qualifiés pour installer ce système. Les installations doivent être faites en conformité avec tous les codes, toutes les normes du secteur et tous les règlements connexes. Si l'installation du système n'est pas effectuée par un professionnel en électricité certifié, la garantie sera ANNULÉE.

AVIS Débranchez tous les raccords d'alimentation avant d'installer cet équipement. La négligence de suivre cette consigne pourrait causer des dommages internes à la carte lors de l'établissement des raccordements électriques.

Une installation inadéquate peut causer des dommages aux cartes de circuit et réduire leur durée de vie utile. Si vous installez les cartes de circuits imprimés dans des circuits sous tension, vous les endommagerez, ce qui n'est pas couvert par la garantie. Débranchez TOUJOURS TOUTES les sources d'alimentation avant de faire l'entretien de la génératrice.

Tout le câblage doit respecter le calibre exigé, être correctement soutenu et protégé par un conduit. Tout le câblage doit être réalisé conformément aux codes, aux normes et aux règlements fédéraux, provinciaux et locaux. Respecter les spécifications sur le type et le serrage imprimées sur les borniers, connecteurs neutre/mise à terre et les instructions d'installation. Utiliser l'installateur 600 VCA fourni ou un câble en cuivre ou en aluminium de plus gros calibre qui respecte la dernière version du Code national de l'électricité pour exécuter les raccords entre l'alimentation de service, l'interrupteur de transfert, la génératrice, le panneau de distribution principal et les modules de commande à distance en option. Appliquer les facteurs de correction nécessaires et les calculs de grosseurs de fils.

1. Régler le disjoncteur de la génératrice à la position ARRÊT.

2. Régler l'interrupteur de marche/arrêt de la génératrice à la position ARRÊT.
3. Retirer le fusible de 15 A de la génératrice.
4. Débrancher l'alimentation de service à la génératrice et au interrupteur de transfert.

Positionnement de la génératrice

Avant d'installer la génératrice, parler avec le propriétaire et transmettre les exigences qui suivent. Elles doivent être satisfaites avant de terminer l'installation.

Le propriétaire doit être informé de deux préoccupations de sécurité également importantes :

- Intoxication au monoxyde de carbone
- Incendie

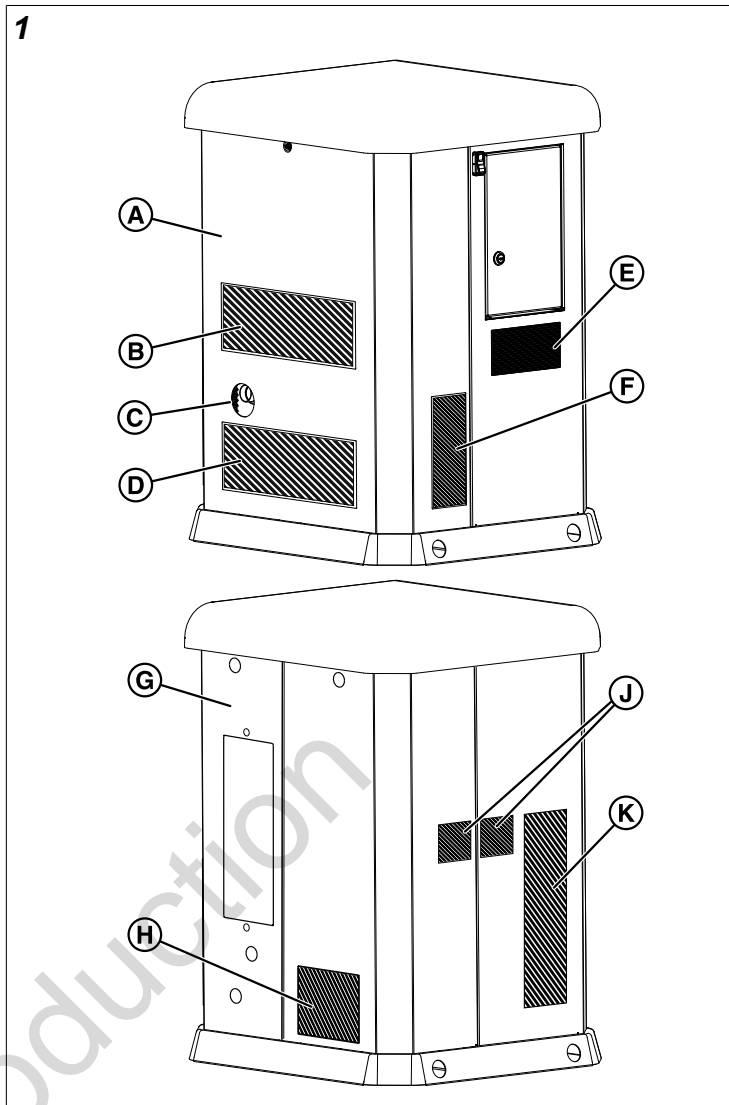
Un installateur doit satisfaire plusieurs autres directives d'emplacement général contenues dans ce manuel avant de terminer l'installation.



AVERTISSEMENT

Les gaz d'échappement du moteur contiennent du monoxyde de carbone, un gaz toxique pouvant provoquer la mort en quelques minutes. Il est inodore, invisible et sans saveur. Même si vous ne sentez pas de vapeurs d'échappement, vous pourriez quand même être exposé(e) au gaz de monoxyde de carbone.

- Faire fonctionner la génératrice **UNIQUEMENT** à l'extérieur, dans un endroit où les gaz d'échappement mortels ne s'accumuleront pas.
- Diriger les gaz d'échappement des fenêtres, des portes, des prises d'aération, des orifices de ventilation dans l'avant-toit, des vides sanitaires, des portes de garage ouvertes ou de toute autre ouverture par lesquels les gaz d'échappement pourraient pénétrer à l'intérieur ou être aspirés dans les espaces d'un édifice qui pourraient être occupés.
- Des détecteurs de monoxyde de carbone **DOIVENT** être installés à l'intérieur et entretenus conformément aux instructions et recommandations du fabricant. Les détecteurs de fumée ne détectent pas le monoxyde de carbone.
- Si vous commencez à vous sentir mal ou faible ou que votre alarme de monoxyde de carbone sonne pendant que vous utilisez ce produit, sortir au grand air immédiatement. Appeler les services d'urgence. Vous pourriez être intoxiqué(e) par le monoxyde de carbone.
- **NE faites PAS** fonctionner ce produit à l'intérieur de maisons, de garages, de sous-sols, de vides sanitaires, de remises ou autres espaces partiellement clos, même si des ventilateurs sont utilisés ou que des portes et des fenêtres sont laissées ouvertes pour la ventilation. Le monoxyde de carbone peut s'accumuler rapidement dans ces espaces et peut y rester pendant des heures, même après l'arrêt de l'appareil.



- (A) Côté avant de l'enceinte
- (B, D, F, J et K) Conduits d'échange d'air neutres
- (C) Orifice d'échappement
- (E) Conduit d'entrée du moteur
- (G) Côté arrière de l'enceinte
- (H) Conduit d'entrée de l'alternateur

Facteurs à considérer pour l'emplacement de la génératrice

L'emplacement de la génératrice a un effet direct sur :

1. La quantité et le calibre de la tuyauterie nécessaires pour l'alimentation en carburant de la génératrice.
2. La quantité et le calibre de câblage nécessaires pour commander et brancher la génératrice.
3. La sécurité de l'installation concernant les dangers liés au gaz d'échappement et au monoxyde de carbone, les risques d'incendie, la proximité des autres services et l'exposition aux éléments météorologiques.

La section *Emplacement de la génératrice* traite des directives pour l'emplacement spécifique. Le propriétaire et l'installateur doivent se parler pour déterminer la manière

dont le site peut influencer les coûts d'installation et la conformité aux codes locaux et aux normes.

Normes fédérales et internationales

L'installation de la génératrice doit adhérer rigoureusement aux normes ICC, IFGC, NFPA 37, NFPA 54, NFPA 58 et NFPA 70.

National Fire Protection Association (NFPA) 37 : La norme vise l'installation et l'utilisation de moteurs à combustion stationnaires. Ses exigences décrivent la distance spécifique qui doit être gardée entre la génératrice sous enceinte et une structure ou un mur. Cette norme exige également qu'un espace adéquat soit fourni lors de l'emplacement de la génératrice afin d'effectuer l'entretien et les réparations, ainsi que l'espace pour les manœuvres des premiers intervenants.

NFPA 37, section 4.1.4, Engines Located Outdoors (moteurs installés à l'extérieur) : Cette norme spécifie que les moteurs et leurs boîtiers imperméables (si équipé) installés à l'extérieur doivent se trouver au moins 5 pi (1,52 m) des orifices dans les murs et au moins 5 pi (1,52 m) des structures ayant des murs combustibles. La norme n'exige pas de séparation minimum si l'une des conditions suivantes existe :

1. L'indice de résistance au feu du mur adjacent de la structure est au moins d'une heure.
2. Là où l'essai au feu concernant la consommation de combustibles disponibles, à l'intérieur du moteur ou, si équipé, son boîtier imperméable, démontre que le feu ayant pris naissance au niveau du moteur ou de son boîtier imperméable n'enflammera pas de structures combustibles.

Annexe A—Matière explicative

A4.1.4 (2) : Cette exigence signifie que la démonstration de la conformité comprend un essai au feu en grandeur réelle ou le suivi de procédures de calcul trouvées dans le chapitre 10 de NFPA 555.

Cette exigence conclut qu'en raison de l'espace souvent limité disponible pour l'installation de l'appareil, l'exception (2) est avantageuse pour de nombreuses installations résidentielles et commerciales. Le fabricant a conclu un contrat avec un laboratoire d'essai indépendant afin de réaliser les essais au feu en grandeur réelle.

Le but ultime des essais au feu était d'évaluer le pire scénario de feu à l'intérieur de la génératrice et de déterminer le risque d'allumage des objets à l'extérieur de l'enceinte du moteur à des distances spécifiques. Remarque que l'enceinte est construite de matériaux non combustibles. Les résultats des essais de laboratoires indépendants ont démontré qu'un feu ayant pris naissance à l'intérieur de l'enceinte de la génératrice ne poserait pas de risque d'allumage aux objets combustibles et aux structures pour au moins une heure.

Combinant les résultats de ces essais au feu en grandeur réelle et des exigences de la NFPA 37, sec. 4.1.4, les directives pour l'installation des génératrices mentionnées précédemment deviennent 18 po (45,7 cm) entre le côté arrière de la génératrice et le mur stationnaire ou bâtiment.

Pour de plus amples informations, se reporter à la section *Exigences de distance* dans ce manuel.

Réduire le risque d'empoisonnement par monoxyde de carbone

À de hautes concentrations, le monoxyde de carbone (CO) peut être mortel, et ce, en quelques minutes. Cependant, les effets des concentrations basses peuvent également être mortels. Ce gaz présente un danger grave aux humains et à leurs animaux, car il est impossible de le sentir, voir ou goûter. Les symptômes de l'exposition au CO comprennent :

- Démangeaisons et larmolement des yeux
- Tempes qui élancent
- Incapacité de penser en toute lucidité
- Bourdonnement des oreilles
- Mal de tête
- Troubles de l'élocution ou mauvaise articulation
- Apparence rouge
- Inattention
- Perte de coordination physique
- Sensation oppressante dans la poitrine
- Somnolence
- Nausée
- Étourdissement
- Vomissement
- Fatigue
- Effondrement
- Convulsions

Si vous (ou quelqu'un dans votre entourage) présentez l'un des symptômes ci-dessus, sortir immédiatement à l'air frais et appeler pour obtenir de l'aide médicale d'urgence pour une intoxication possible au monoxyde de carbone. Si votre alarme de monoxyde de carbone sonne pendant que vous utilisez ce produit, sortir immédiatement à l'air frais (même si vous ne présentez aucun des symptômes mentionnés précédemment).

Détecteur de monoxyde de carbone (CO)

AVIS : L'installation d'alarmes de monoxyde de carbone en bon état à l'intérieur est la seule façon de détecter le monoxyde de carbone. Les détecteurs de fumée ordinaires ne détectent pas le monoxyde de carbone et n'avertiront pas les occupants de sa présence.

Un détecteur de CO est un appareil électronique qui détecte les taux dangereux de ce gaz. En présence d'une accumulation de CO, le détecteur avertira les occupants par une alarme et par le clignotement d'un voyant.

De nombreux états exigent qu'une résidence dispose d'un détecteur de monoxyde de carbone (CO). L'installateur doit discuter avec le propriétaire au sujet des détecteurs de monoxyde de carbone. Des détecteurs de monoxyde de carbone DOIVENT être installés à l'intérieur et entretenus conformément aux instructions et recommandations du

fabricant. Les détecteurs de fumée ne détectent pas le monoxyde de carbone.

Contactez la division d'inspection des bâtiments locale pour toute exigence en matière d'utilisation de détecteurs de monoxyde de carbone. Voir le National Fire Alarm and Signaling Code (NFPA), code 72 et la section R315 de l'International Residential Code (ICC) pour de plus amples renseignements.

Points d'entrée de monoxyde de carbone potentiels

Directives de fonctionnement :

AVIS : Faire fonctionner la génératrice uniquement à l'extérieur et dans un endroit où les gaz d'échappement mortels ne s'accumuleront pas.

Ne jamais faire fonctionner ce produit à l'intérieur des résidences, des garages, des sous-sols, des vides sanitaires ou des cabanons, sous une terrasse ou dans tout endroit partiellement fermé; l'utilisation de ventilateurs et l'ouverture de portes dans ces endroits pourrait ne pas fournir une

ventilation adéquate. Le monoxyde de carbone peut s'accumuler rapidement dans ces espaces interdits et peut rester dans l'air pendant plusieurs heures, même après l'arrêt de ce produit.

Directives d'installation :

Suivre toutes les instructions et les illustrations dans ce manuel lors du placement d'une enceinte.

Toujours faire pointer l'échappement du moteur de la génératrice dans la direction opposée des endroits occupés. Ne jamais exposer les résidences des voisins aux gaz d'échappement du moteur sortant de votre génératrice de secours pendant le processus d'installation.

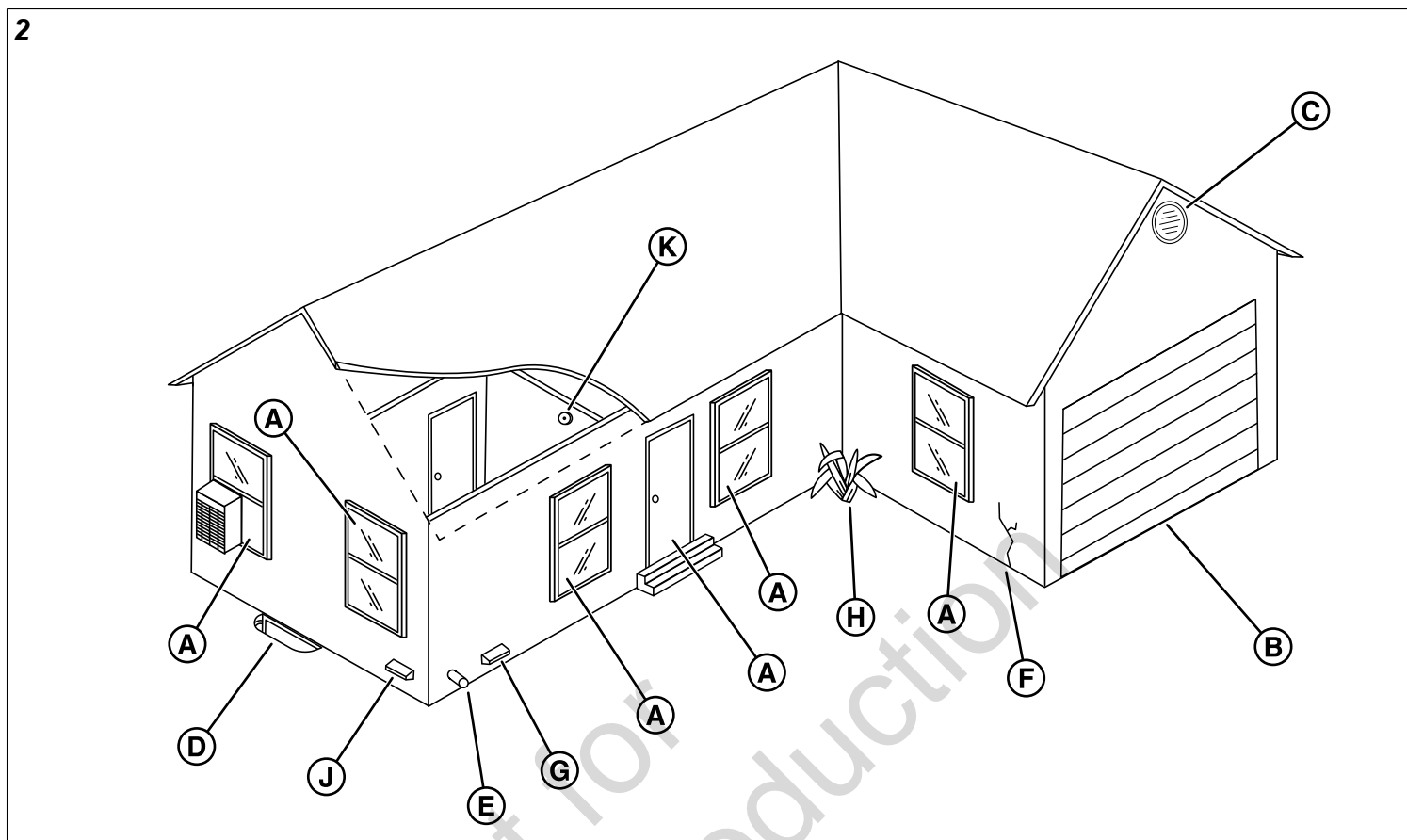
Ne jamais placer la génératrice de secours dans un endroit où des feuilles ou des débris peuvent s'accumuler.

Les gaz d'échappement de la génératrice peuvent entrer à travers les fenêtres, les portes et autres orifices d'une structure. Les gaz d'échappement et le CO peuvent s'infiltrer dans la structure à travers les orifices les plus petits.

Not for
Reproduction

Protection de la structure

Examiner la structure pour vous assurer que les produits d'étanchéité et de calfeutrage restent en bon état pour empêcher l'air d'entrer ou de sortir. Examiner la structure pour la présence de vides, de fissures ou d'orifices autour des fenêtres, des portes, des soffites, des tuyaux et des trous d'aération, car à travers ces endroits les gaz d'échappement et le monoxyde de carbone (CO) peuvent entrer à l'intérieur de la structure.



Le tableau suivant inclut quelques exemples de points d'entrée potentiels de gaz CO.

EMPLACEMENT	POINT D'ENTRÉE	EXPLICATION
A	Portes et fenêtres	Les orifices qui font partie de l'architecture de la structure peuvent laisser entrer l'air frais et le CO dans cette dernière, surtout lorsqu'ils sont ouverts.
B	Porte de garage	Une porte de garage ouverte ou mal scellée peut laisser entrer le CO dans le garage.
C	Trou d'aération du grenier	Les gaz d'échappement de la génératrice peuvent entrer à travers les trous d'aération du grenier et les événements des soffites, des vides sanitaires, des crêtes et des toits.
D	Fenêtres de sous-sol	Les fenêtres ou les trappes de sous-sol qui permettent l'aération vers ou depuis le niveau inférieur de la structure permettent également au monoxyde de carbone d'entrer dans la structure.
E	Admission de la fournaise ou évent d'échappement	L'admission de l'air et les tuyaux d'échappement de la fournaise sont souvent des points d'entrée pour le monoxyde de carbone.
F	Fissures murales	Toute fissure dans les murs de la structure, y compris la fondation et le mortier, ainsi que tout espace autour des fenêtres, des portes et des tuyaux, peut laisser entrer le CO.
G	Évent de sècheuse	Parfois, l'évent de la sècheuse laisse entrer le gaz CO dans la structure.
H	Restrictions du débit d'air	Les zones de coins structuraux et la végétation dense restreignent le débit d'air et accumulent les gaz d'échappement.
J	Système d'air d'appoint	Remarque : Garder tout orifice d'air d'appoint extérieur mécanique ou par gravité pour les systèmes d'alimentation en air CVC à la distance horizontale de 10 pi (3 m) de l'enceinte de la génératrice. Consulter la section 401 de l'ICC Mechanical Code pour plus de renseignements sur les exigences.
K	Détecteur(s) de monoxyde de carbone	Remarque : L'installation d'alarmes de monoxyde de carbone en bon état à l'intérieur est la seule façon de détecter le monoxyde de carbone. Les détecteurs de fumée réguliers ne détectent pas le monoxyde de carbone et n'alerteront pas les occupants de sa présence.

Réduire le risque d'incendie

AVERTISSEMENT

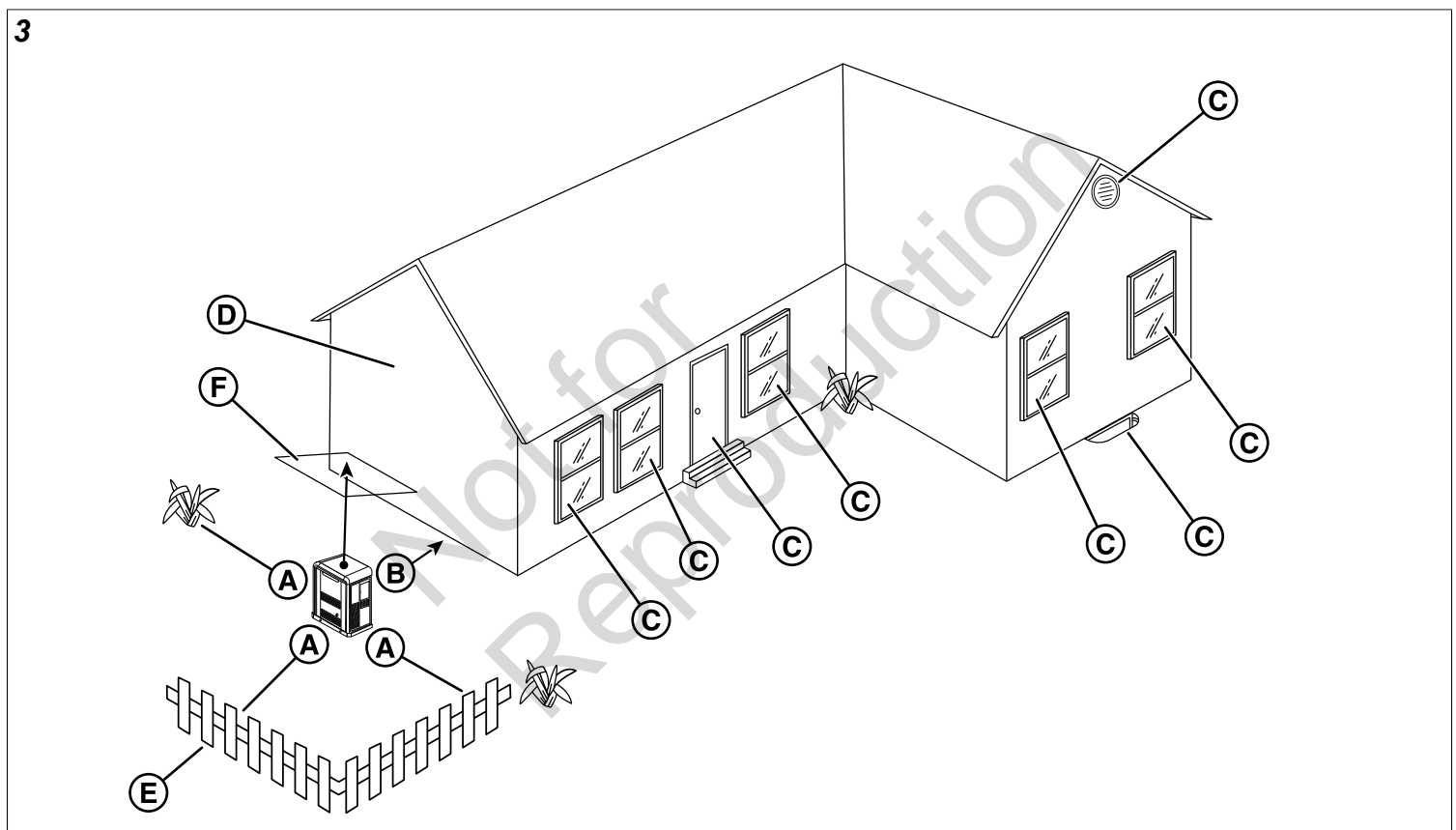
Le rejet thermique et les gaz d'échappement pourraient enflammer les produits combustibles, provoquant la mort ou des blessures graves.

- Enlever toutes les matières combustibles du ou autour du compartiment de la génératrice.

Afin de prévenir les incendies, la génératrice doit être installée à une distance sécuritaire de tout matériau combustible. Le moteur de l'appareil, l'alternateur et les composants du système d'échappement peuvent devenir très chauds pendant le fonctionnement. Réduire le risque d'incendie en gardant l'appareil bien aéré, bien entretenu, exempt de toute fuite de carburant et éloigné des matériaux combustibles. De plus, les débris inflammables peuvent s'accumuler à l'intérieur ou à l'extérieur de l'enceinte de la génératrice et pourraient s'enflammer et causer un incendie.

Exigences en matière de distance

Le propriétaire doit tenir des dégagements minimum autour de l'enceinte de la génératrice. Ces dégagements existent principalement pour la prévention des incendies, mais ils permettent également un espace pour les tâches d'entretien, comme le retrait des panneaux avant, arrière, sortie d'échappement latéral et entrée d'air des panneaux latéraux de l'appareil.



Le tableau qui suit explique les distances requises pour l'installation.

EMPLACEMENT	ARTICLE	EXPLICATION
A	Dégagement avant et aux extrémités	Laisser un dégagement minimum de 3 pi (0,91 m) en avant et aux extrémités de la génératrice. Garder les arbustes, les plantes et les arbres à cette distance minimum de l'appareil et ne jamais utiliser la végétation pour cacher l'appareil.
B	Dégagement arrière	Puisque les connexions de carburant et électriques se trouvent ici, garder un dégagement minimum de 18 po (45,7 cm) conformément au laboratoire d'essai indépendant, sauf indication contraire des codes d'État.
C	Fenêtres, trous d'aération et orifices	Installer la génératrice à au moins 5 pi (1,52 m) des fenêtres, portes, événements, puits de lumière ou ouvertures dans le mur. Voir la section <i>Protection de la structure</i> dans ce manuel.
D	Mur existant	Garder la génératrice à une distance minimum de 18 po (45,7 cm) des murs existants.
E	Clôture démontable	Garder les clôtures démontables à une distance minimum de 3 pi (0,91 m) de l'avant de la génératrice. Les clôtures démontables comprennent le décor visuel, les panneaux de clôture et des barrières temporaires sans pieds.

EMPLACEMENT	ARTICLE	EXPLICATION
F	Dégagement en hauteur libre	Laisser un dégagement minimum de 5 pi (1,52 m) de toute structure, de tout surplomb et de toute projection sur un mur ou des arbres.
G	Entretien et interventions (non illustré)	Laisser un espace adéquat pour effectuer l'entretien de routine, comme les interventions sur le moteur et le remplacement de la batterie. Ne jamais utiliser les arbustes, les arbres et les plantes pour cacher la génératrice.

Autres directives générales concernant l'emplacement

- Placez la génératrice de secours dans un endroit préparé à cet effet qui soit plat et muni d'un drain pour l'écoulement des eaux.
- Installez la génératrice de secours dans un endroit où l'évacuation d'une pompe de puisard, l'écoulement des gouttières et du toit, l'irrigation d'aménagement paysagé ou un système de pulvérisation d'eau n'entraînera pas une inondation de l'appareil, l'arrosage de l'enceinte ou l'entrée d'eau par l'admission d'air ou les ouvertures de sortie.
- Installez la génératrice de secours dans un endroit où les services (incluant les services couverts, enfermés et souterrains), dont le téléphone, l'électricité, l'alimentation en carburant (gaz naturel/vapeur de GPL), l'irrigation et la climatisation, ne seront pas touchés ou obstrués.
- Installer la génératrice de secours de façon à ce que ses entrées et sorties d'air ne puissent être obstruées par de la neige, des feuilles ou d'autres corps étrangers. Si les vents pourraient souffler ou faire glisser l'appareil, il faut construire une barrière coupe-vent à titre de protection.

Trousses pour temps froid

Une trousse pour temps froid est recommandée si la génératrice fonctionne à une température inférieure à 30 °F (-1 °C).

Trousse de réchauffeur de l'huile et de la batterie, numéro de pièce 6921, comprenant :

- Réchauffeur d'huile
- Chauffe-batterie
- Faisceau

La trousse de dispositif de chauffage de carburant, n° de pièce 6845, inclut :

- Dispositif de chauffage
- Faisceau

Trousse de réchauffeur de la batterie, numéro de pièce 6182, comprenant :

- Chauffe-batterie
- Faisceau

Trousse de réchauffeur de l'huile, numéro de pièce 6922, comprenant :

- Réchauffeur d'huile
- Faisceau

Ces articles sont offerts auprès de votre détaillant.

Si vous avez besoin de renseignements supplémentaires, veuillez appeler au (800) 732-2989 entre 8 h et 17 h HNC.

Soulever la génératrice



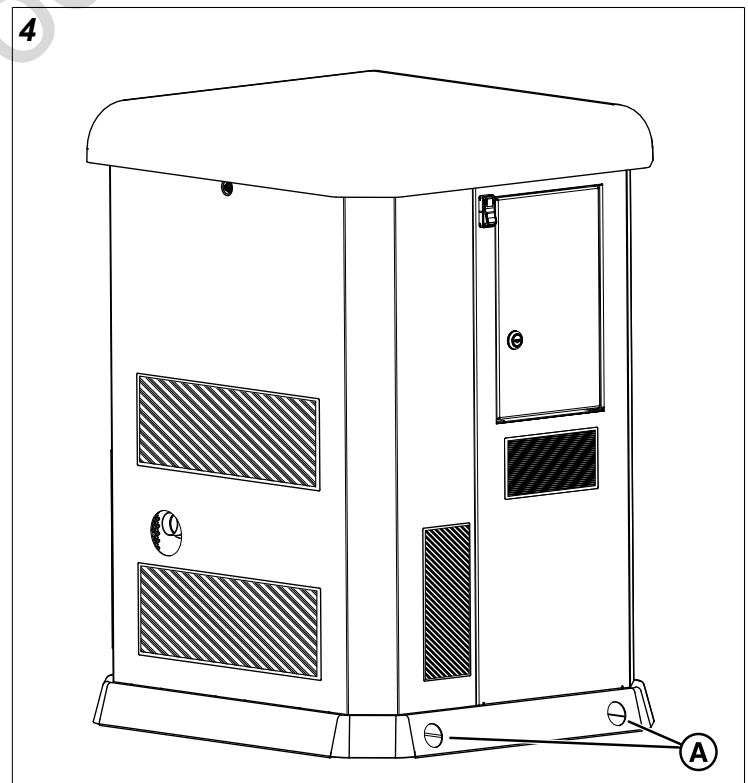
AVERTISSEMENT

Tension dangereuse – Tout contact avec des lignes électriques pourrait causer l'électrocution ou des brûlures, provoquant la mort ou des blessures graves.

- En cas d'utilisation d'un appareil de levage, faire attention à NE PAS toucher aux lignes d'électricité.
- NE PAS soulever ni déplacer la génératrice sans aide.

Les outils et l'équipement appropriés doivent être utilisés et recourir à un personnel qualifié pour chacune des phases de manipulation et de déplacement de la génératrice. Le poids approximatif de la génératrice est indiqué dans la section *Spécifications de la génératrice*.

Utiliser les trous de levage (A, Figure 4) à la base de la génératrice pour la soulever sur la dalle ou le socle de béton. Soulever la génératrice conformément aux réglementations de l'Occupational Safety and Health Administration (OSHA) ou locales.



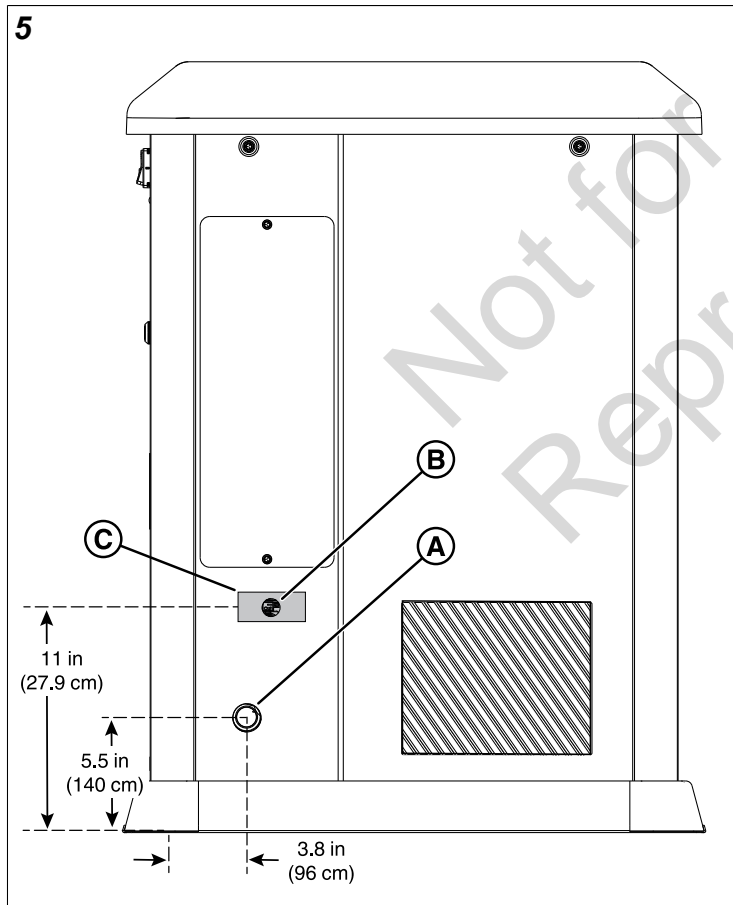
Ancrer la génératrice et les résistances au vent

À moins d'être stipulé par des codes locaux ou provinciaux ou pour que la capacité de résistance au vent requise soit atteinte, aucune dalle ni aucun socle de béton n'est requis pour l'ancrage de la génératrice. Pour des renseignements sur le montage sur un socle de béton et les indices de vent, consulter le schéma *Ancrage et indices de vent* à la fin de ce manuel.

Emplacements de l'admission du carburant et de l'entrée électrique

L'emplacement du raccord d'admission de carburant (A, Figure 5) NPT de 3/4 pouce et de l'entrée électrique (B) est illustré ci-dessous.

L'entrée défonçable de 1/2 pouce est fournie pour l'entrée électrique. Cette entrée peut être élargie ou complétée pour accommoder un conduit d'une grosseur maximale de 1 1/2 pouces. S'assurer que la ou les conduites installées pénètrent dans l'appareil dans la zone (C) illustrée dans le schéma ci-contre de manière à pénétrer correctement dans la boîte électrique.



Panneaux d'accès : Installation et retrait

La génératrice est munie d'un boîtier doté de plusieurs panneaux d'accès, comme le montrent les illustrations suivantes.

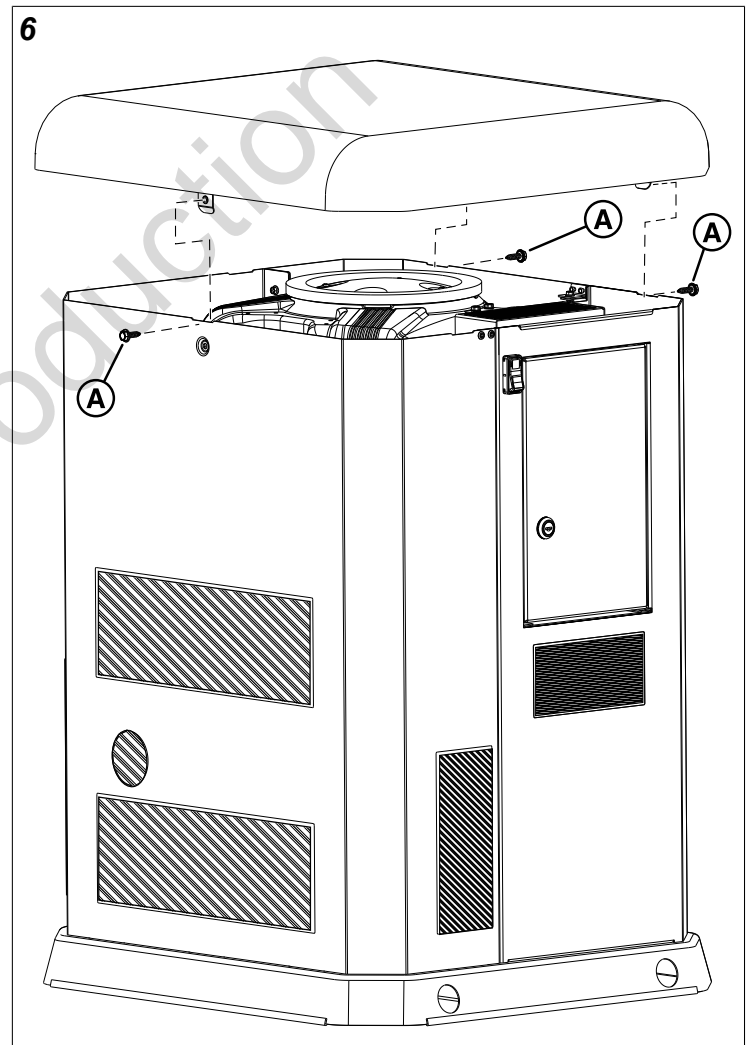
Chaque panneau d'accès et la paroi supérieure sont utilisés pour accéder :

- Compartiment de batterie
- Tuyau de vidange d'huile moteur
- Filtre à huile moteur
- Couvercle de soupape moteur
- Bougies d'allumage

Chaque génératrice est livrée avec un jeu de clés identiques fixé à l'un des panneaux.

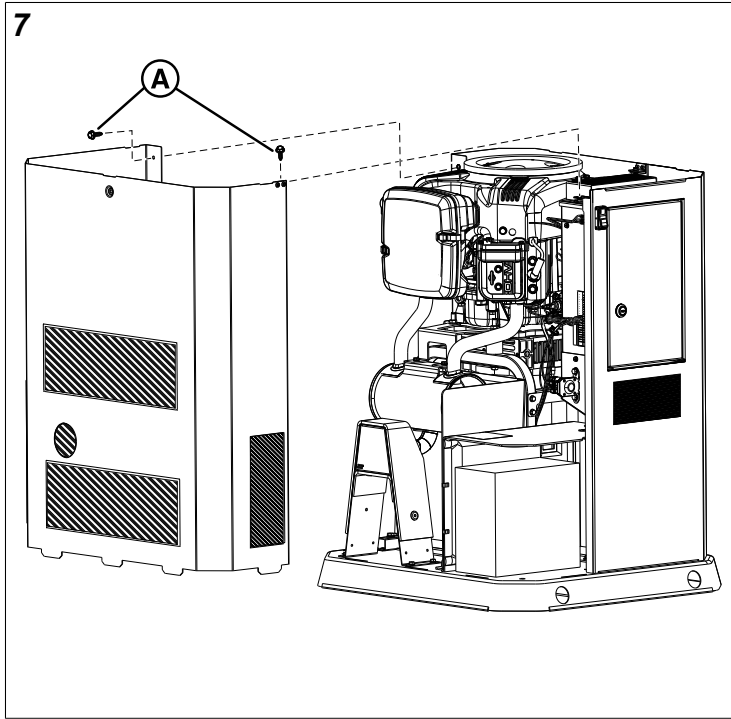
Paroi supérieure – Installation et retrait (Figure 6) :

1. Installer ou retirer la paroi supérieure, attentivement, avec les vis (A) qui fixent la paroi supérieure à l'appareil.

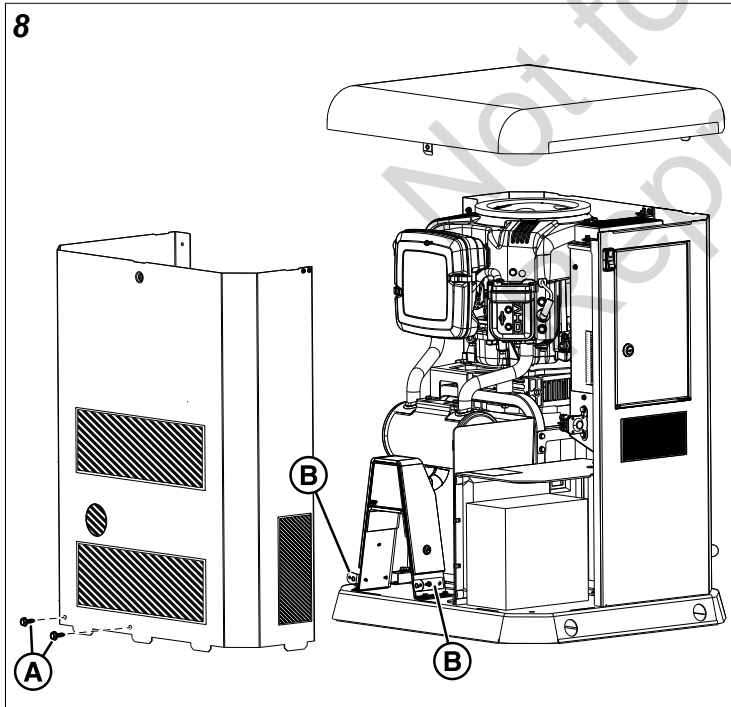


Panneau avant – Installation et retrait (Figure 7) :

1. Installer ou retirer le panneau avant, attentivement, avec les deux fixations (A) qui fixent le panneau à l'appareil.



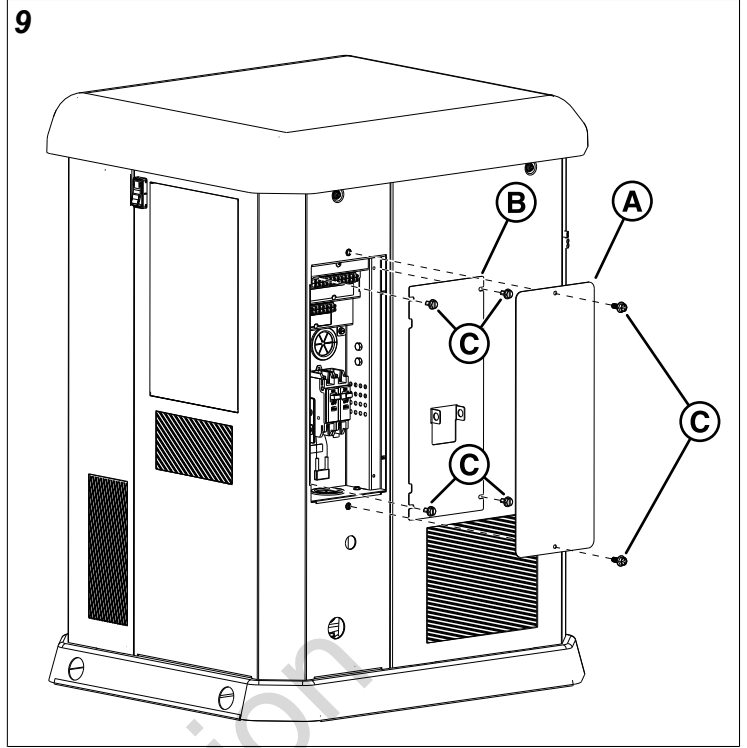
2. Si l'appareil est installé en fonction de l'indice de vent, retirer les attaches (A, Figure 8). Les supports (B) n'ont pas besoin d'être retirés.



3. Soulever et plier le panneau vers l'extérieur et hors de la base. Faire attention pour éviter d'endommager le boîtier de batterie.

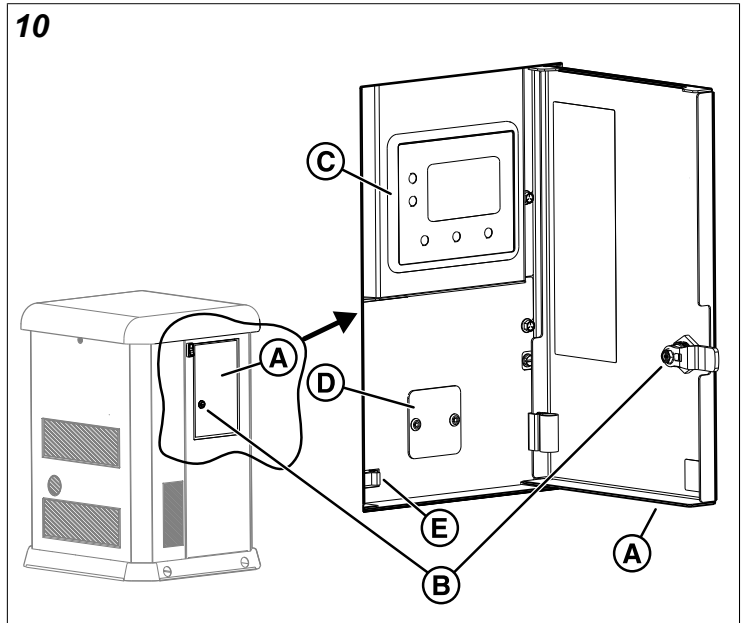
Panneaux d'accès des raccordements sur le terrain – Installation et retrait (Figure 9)

1. Installer ou retirer les panneaux d'accès des raccordements sur le terrain (A et B) en retirant les fixations (C) qui fixent les panneaux à l'enceinte.



Porte d'accès pour le contrôleur, le fusible et le voyant à DEL – Ouvrir et fermer (Figure 10)

1. Cette porte (A) donne accès au contrôleur de la génératrice (C), à la fenêtre d'affichage à DEL du chargeur de la batterie (D) et au fusible (E). Si elle est bloquée (B), utiliser les clés fournies avec votre génératrice.



Plan d'installation pour le carburant



AVERTISSEMENT

Le gaz propane et le gaz naturel sont extrêmement inflammables et explosifs et pourraient causer des brûlures, un incendie ou une explosion, provoquant la mort ou des blessures graves.

- L'installation doit être effectuée par un technicien professionnel.
- Installer le système d'alimentation de carburant conformément à la norme NFPA 37 et aux codes applicables aux carburants et aux gaz.
- Avant de mettre la génératrice en service, il faut purger adéquatement les lignes d'alimentation de carburant et les tester pour en confirmer l'étanchéité.
- Il ne peut y avoir AUCUNE fuite.
- NE PAS utiliser le moteur en présence d'une odeur de carburant.



AVERTISSEMENT

Le gaz propane et le gaz naturel sont extrêmement inflammables et explosifs et pourraient causer des brûlures, un incendie ou une explosion, provoquant la mort ou des blessures graves.

- NE PAS opérer l'équipement si le robinet de fermeture du carburant est manquant ou ne fonctionne pas.



AVERTISSEMENT

Le gaz propane et le gaz naturel sont extrêmement inflammables et explosifs et pourraient causer des brûlures, un incendie ou une explosion, provoquant la mort ou des blessures graves.

- Le gaz de PL est plus lourd que l'air et s'accumule près du sol.
- Le gaz naturel est plus léger que l'air et s'accumule en hauteur.
- La plus petite étincelle peut enflammer ces combustibles et causer une explosion.
- NE PAS permettre de flamme nue, d'étincelle, de chaleur ni de cigarette allumée.

AVIS : Le tuyau flexible fourni pour le carburant NE doit PAS être installé sous terre ni être en contact avec le sol. Garder toute la longueur du tuyau flexible doit être visible pour l'inspection régulière. Ne pas le cacher ni l'acheminer dans les murs, planchers ou parois. Ne jamais laisser le tuyau toucher ces structures.

AVIS : NE PAS plier le tuyau flexible pour le carburant fourni.

L'information qui suit concerne la phase de planification des installations pour les techniciens spécialisés en systèmes de carburant gazeux. Toujours respecter les codes locaux en matière de carburant-gaz relatifs au site d'installation. Si vous avez des questions ou si vous rencontrez des problèmes,

consultez votre fournisseur de carburant ou votre service des incendies.

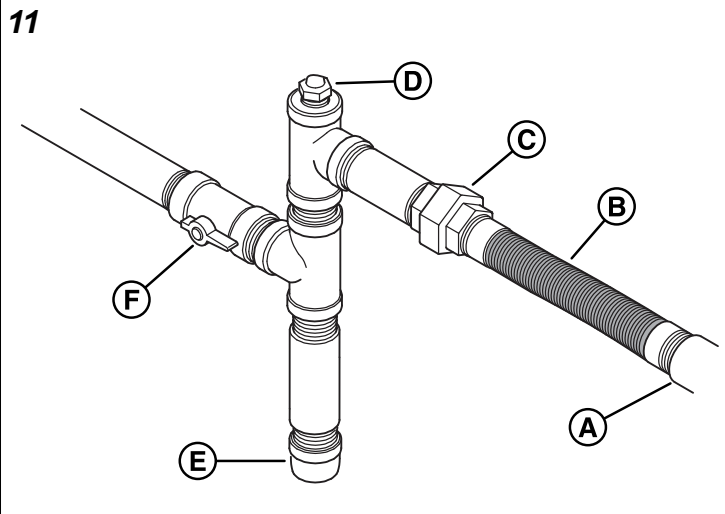
À L'INSTALLATEUR : Avant d'appliquer ces consignes générales, consulter le propriétaire de la génératrice et soulever toute considération technique qui peut influencer sur ses plans d'installation.

Les règles générales s'appliquent à la tuyauterie des systèmes de carburant gazeux :

- Le matériau de la tuyauterie doit respecter les codes de sécurité fédéraux et locaux et la tuyauterie doit être fixée solidement et protégée contre les vibrations.
- La tuyauterie doit être protégée contre les dommages physiques, en particulier aux endroits où elle traverse des massifs de fleurs ou d'arbustes, ainsi que les autres surfaces cultivées où des dommages sont possibles.
- Installer le tuyau flexible fourni pour le carburant (B, Figure 11) entre l'orifice d'admission de carburant (A) de la génératrice et la tuyauterie rigide afin d'empêcher l'expansion ou la contraction thermique de générer une contrainte excessive sur les matériaux de la tuyauterie.
- Fournir un raccord (C) ou un raccord à brides pour permettre un retrait ultérieur.
- Installer un port de test manomètre (D) pour les vapeurs de pétrole liquéfié. Installer un manomètre dans le port pour vérifier si la pression de carburant est adéquate pour permettre le fonctionnement du moteur. Consulter le centre d'entretien à propos d'un manomètre numérique ou analogue conçu pour les carburants gazeux seulement (numéro de pièce 19495). Une fois série initiale d'essais est terminée, le manomètre est enlevé et la sortie bouchée.
- Pour les vapeurs de pétrole liquéfié seulement : Protéger la tuyauterie dans les régions où il y a régulièrement du gel favorisant la formation d'hydrates ou de glace. Pour terminer la tuyauterie rigide, utiliser une trappe à sédiments (E) où le liquide condensé ne risque pas de geler.
- Installer au moins un robinet de fermeture manuelle approuvé (F) sur la ligne d'alimentation en carburant à l'intérieur de 6 pi (1,8 m) de la génératrice.
- Installer un robinet manuel de fermeture du carburant à l'intérieur de l'édifice.
- Augmente la solidité et la flexibilité des supports et raccords de la tuyauterie dans les lieux susceptibles de subir des tremblements de terre, ouragans, inondations et terrains instables.
- S'assurer que la tuyauterie est être de la bonne dimension afin de maintenir adéquates les pressions d'alimentation ainsi que le débit volumétrique nécessaires sous les diverses conditions de la génératrice alors que tous les appareils au gaz sont reliés au système d'alimentation et en fonctionnement.
- Pour réduire la possibilité de fuites, utiliser un scellant ou un composé approuvé pour joints de tuyauterie de gaz naturel ou de pétrole liquéfié sur tous les raccords à filets.

AVIS : Empêcher la pâte d'étanchéité de pénétrer dans la tuyauterie du gaz pour éviter d'endommager les composants.

- Purger et vérifier l'étanchéité de la tuyauterie conformément aux codes et normes en vigueur.



- (A) Admission du carburant de la génératrice
- (B) Tuyau flexible pour le carburant
- (C) Raccord union
- (D) Port de test du manomètre
- (E) Trappe à sédiments
- (F) Robinet manuel de fermeture

Consommation de carburant

Les exigences prévues d'alimentation en carburant à la moitié et au maximum de sa capacité pour le gaz naturel et les vapeurs de PL sont illustrées dans le tableau qui suit :

Gaz PL (Propane)

	13 kW	
1/2 charge	BTU/h (MJ/h)	154 000 (170)
	pi ³ /h (m ³ /h)	62 (1,8)
	L/h (gal/h)	1,7 (6,4)
Pleine charge	BTU/h (MJ/h)	258 000 (280)
	pi ³ /h (m ³ /h)	103 (3,0)
	gal/h (L/h)	2,9 (10,7)

Gaz naturel

	13 kW	
1/2 charge	BTU/h (MJ/h)	119 000 (130)
	pi ³ /h (m ³ /h)	119 (3,4)
Pleine charge	BTU/h (MJ/h)	212 000 (230)
	pi ³ /h (m ³ /h)	212 (6,0)

Propriétés physiques	Vapeur PL	Gaz naturel
État atmosphérique normal	Gaz	Gaz
Point d'ébullition °F (°C)	-42 (-44)	-167 (-259)
Valeur calorifique :		
BTU/gal (MJ/L) liquide (Net LVH*)	83 340 (23,23)	63 310 (17,65)
BTU/gal (MJ/L) liquide (brut**)	91 547 (25,52)	s.o.
BTU/pi ³ (MJ/m ³) gaz*	2 500 (93,15)	1 000 (37,26)

Propriétés physiques	Vapeur PL	Gaz naturel
Densité - pi ³ /gal (m ³ /L)	36,39 (0,27)	57,75 (0,43)
Poids - lb/gal (kg/L)	4,24 (0,51)	2,65 (0,32)

* PCI (pouvoir calorifique inférieur) est le taux le plus réaliste.

** La valeur calorifique brute ne tient pas compte de la perte calorifique sous forme d'eau pendant la combustion.

Type de carburant

Prendre en compte le type de carburant qu'utilise votre génératrice puisqu'il affecte tout le processus d'installation. Le système a été testé en usine et ajusté en utilisant du gaz naturel, mais il peut être converti pour utiliser des vapeurs de pétrole liquéfié. Pour que le moteur fonctionne correctement, prendre en compte les facteurs qui affectent chacun de ces carburants, comme l'emplacement et la durée des interruptions de courant possibles. Suivre chacune de ces directives lorsqu'un type de carburant est choisi :

- Utiliser un carburant propre et sec exempt de toute humidité ou de tout dépôt. L'utilisation de carburants à l'extérieur des plages de valeurs recommandées pourrait causer des problèmes de rendement.
- Dans les moteurs qui utilisent le propane (pétrole liquéfié), vous devez utiliser seulement le propane HD-5 de grade commercial.

Les moteurs au gaz naturel ou PL sont certifiés pour un fonctionnement au gaz naturel ou au propane liquide. Le système de contrôle des émissions pour ce moteur est EM (Modifications du moteur).

Pression du carburant

La pression d'alimentation en vapeur de pétrole liquéfié (PL) et en gaz naturel (GN) à l'orifice d'admission de carburant de la génératrice doit être une valeur minimale au maximum de sa capacité lorsque tous les appareils au gaz sont sous tension et en fonction.

Le gaz naturel doit être une colonne d'eau (CE) de 3,5 à 7 po (89 à 178 mm).

Le pétrole liquéfié doit être entre 11 et 14 po (279 et 356 mm) CE.

S'assurer que les robinets de conduite de gaz sont OUVERTS et qu'une pression de carburant adéquate est disponible lorsqu'un fonctionnement automatique est requis.

Perte de puissance

La puissance du moteur sera réduite de 3,5 % pour chaque 1 000 pieds (300 mètres) au-dessus du niveau de la mer et de 1 % pour chaque 10 °F (5,6 °C) au-dessus de 77 °F (25 °C).

Conversion de carburant

Le moteur de votre génératrice domestique est étalonné en usine et configuré pour utiliser le gaz naturel (GN). Il peut également fonctionner avec du gaz de pétrole liquéfié (GPL).

AVIS : Les appareils sont réglés en usine pour utiliser le GN. Les deux réglages de vis sont donnés dans la liste qui suit. Réglages initiaux d'usine pour le carburant à GN :

- Vis de ralenti (C, Figure 14) : 3/8 d'un tour
- Vis principale (D) : 1 3/8 tour

Les réglages pour le carburant PL sont :

- Vis de ralenti (C) : 3/4 d'un tour
- Vis principale (D) : 1/8 d'un tour

Pour faire la conversion à l'un ou l'autre de ces carburants, exécuter les étapes suivantes :

1. Pousser l'interrupteur MARCHE/ARRÊT (A, Figure 12) à la position ARRÊT (voir l'emplacement de l'interrupteur dans la section *Caractéristiques et commandes*).
2. Couper l'alimentation électrique de la génératrice pour mettre le chargeur de batterie hors tension.
3. Retirer la paroi supérieure (voir la section *Panneaux d'accès : Installation et retrait*).
4. Retirer le fusible de 15 A (B) du porte-fusible (voir la section *Caractéristiques et commandes* pour connaître son emplacement).
5. Retirer le panneau avant (voir la section *Panneaux d'accès : Installation et retrait*).
6. Débrancher le câble négatif (-) de la batterie.
7. Pousser l'interrupteur à levier de sélection de carburant (B, Figure 13), qui est situé en haut du boîtier de raccordement de terrain, à la bonne position – PL or GN (A).
8. À l'aide d'un tournevis pour écrous à fente, tourner les vis (C et D, Figure 14) jusqu'à ce qu'elles soient serrées.

AVIS NE PAS trop serrer. Cela pourrait causer des dommages au port du mélangeur.

9. À l'aide d'un tournevis pour écrous à fente, tourner la vis (C) dans le sens antihoraire le nombre de tours spécifié dans l'**AVIS** au début de cette section.
10. À l'aide d'un tournevis pour écrous à fente, tourner la vis (D) dans le sens antihoraire le nombre de tours spécifié dans l'**AVIS** au début de cette section.
11. Brancher le câble négatif (-) à la batterie.
12. Installer le panneau avant (voir la section *Panneaux d'accès : Installation et retrait*).
13. Installer le fusible de 15 A (B, Figure 12) dans le porte-fusible (voir la section *Caractéristiques et commandes* pour connaître son emplacement).
14. Installer la paroi supérieure (voir la section *Panneaux d'accès : Installation et retrait*).
15. Pousser l'interrupteur MARCHE/ARRÊT (A) à la position « MARCHE » (I) (voir l'emplacement de l'interrupteur dans la section *Caractéristiques et commandes*).

16. Déverrouiller (le cas échéant) et ouvrir la porte d'accès du contrôleur et vérifier que le contrôleur est en **Mode manuel**.
17. Appuyer sur le bouton CONFIG et le garder enfoncé pour accéder au menu de configuration.
18. Appuyer sur SÉLECTIONNER (SELECT) pour modifier les éléments du menu de configuration.

AVIS Si vous changez la configuration du contrôleur de la génératrice du réglage d'usine de carburant GN à carburant PL, vous devez accéder au menu de configuration au moyen du mot de passe du détaillant accessible dans Power Portal.

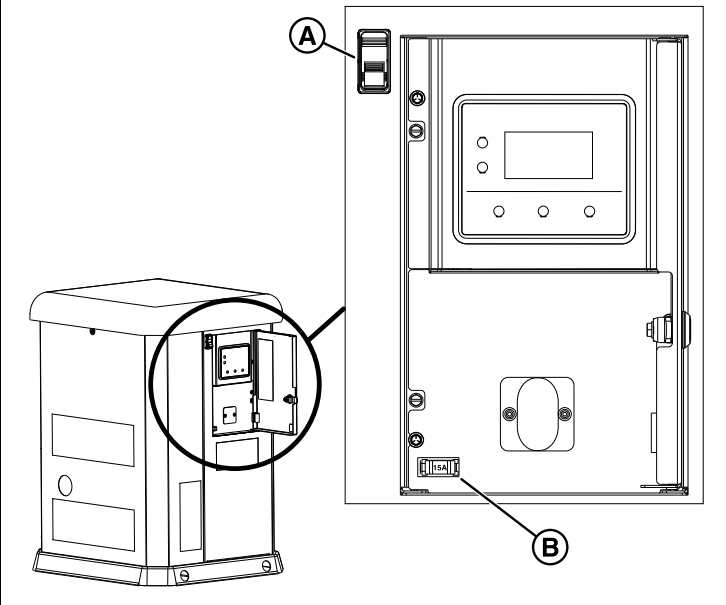
19. Naviguer jusqu'à « SÉLECTIONNER LE PROFIL » (SELECT PROFILE) et appuyer sur le profil approprié pour la génératrice. Par exemple, « 13KW_LP » pour faire fonctionner un appareil de 13 kW avec du carburant PL

AVIS Sélectionner un profil inapproprié pour la génératrice peut faire en sorte qu'elle fonctionne de façon imprévisible et cela peut entraîner des dommages

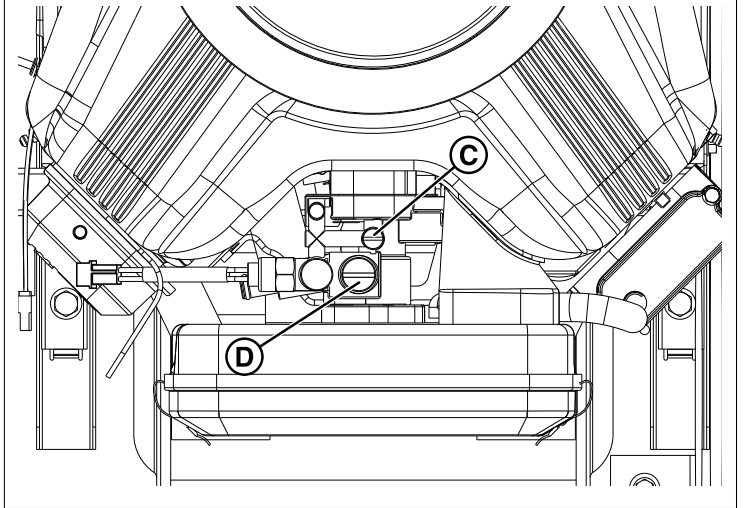
20. Pour enregistrer le nouveau paramètre de carburant, appuyer sur le bouton ARRÊT/CONFIG et le garder enfoncé jusqu'à ce que « Enregistrement des paramètres... » (Saving Settings...) s'affiche.
21. NE PAS changer le paramètre du régulateur de carburant. Que vous utilisiez le carburant GN ou PL, ce paramètre DOIT être laissé sur le réglage d'usine de GN (E, Figure 15).

22. Pour en savoir plus sur le fonctionnement du contrôleur de la génératrice, se reporter au manuel en ligne « Instructions de fonctionnement du contrôleur de la série GC1030 GENSET » associé à votre génératrice.

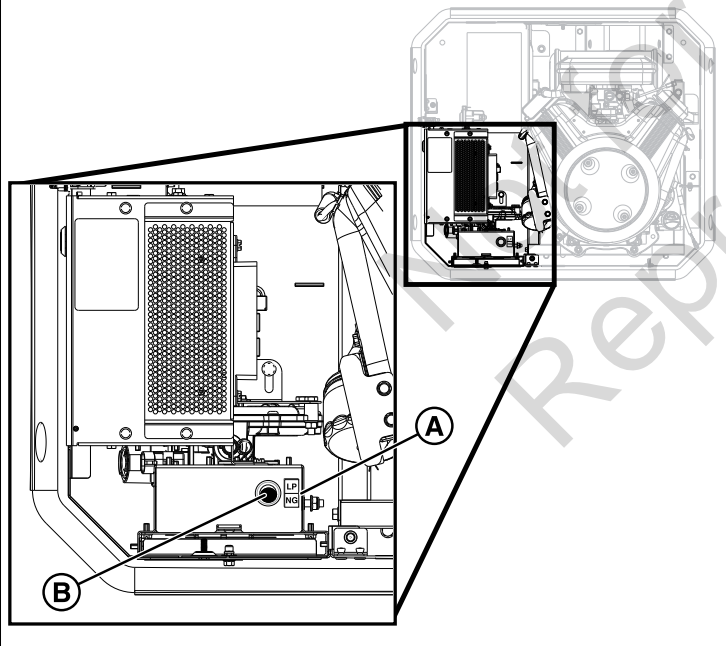
12



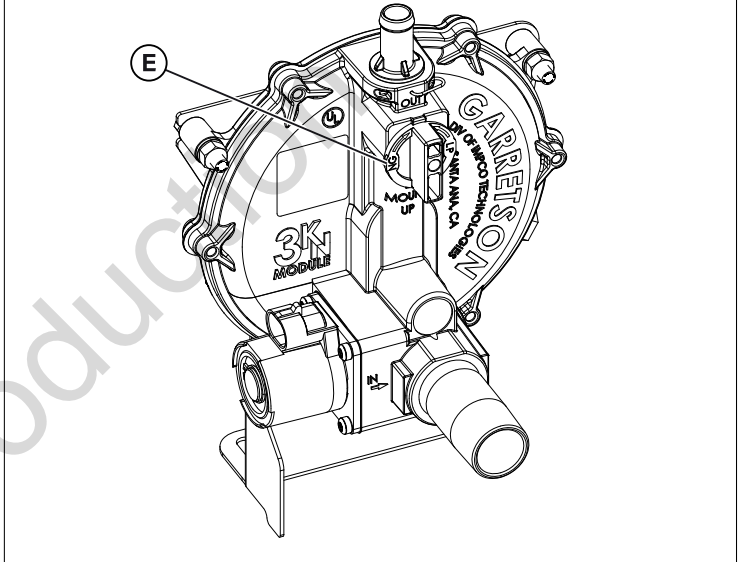
14



13



15



Connexions des champs électriques

AVERTISSEMENT

La tension de la génératrice et de l'électricité de service pourrait causer un choc électrique ou des brûlures, provoquant la mort ou des blessures graves.

- L'installation doit être effectuée par un technicien professionnel.
- Déconnecter toutes les sources électriques avant d'installer ou d'entretenir l'équipement.
- Mettre le système à la terre avant d'alimenter.

AVERTISSEMENT

Tension dangereuse – Installer un câble haute et basse tension dans le même conduit pourrait causer un choc électrique ou des brûlures, provoquant la mort ou des blessures graves.

- Ne pas fixer les fils de basse et de haute tension dans le même conduit, sauf si la valeur nominale de l'isolation de TOUS les fils est de 600 V, consulter la norme NFPA 70 pour de plus amples informations.

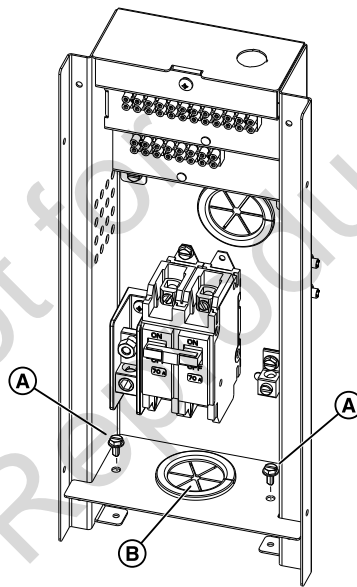
1. Retirer les panneaux d'accès des raccordements sur le terrain (voir la section *Panneaux d'accès : Installation et retrait*)
2. Insérer les fils de terrain à travers l'entrée défonçable.

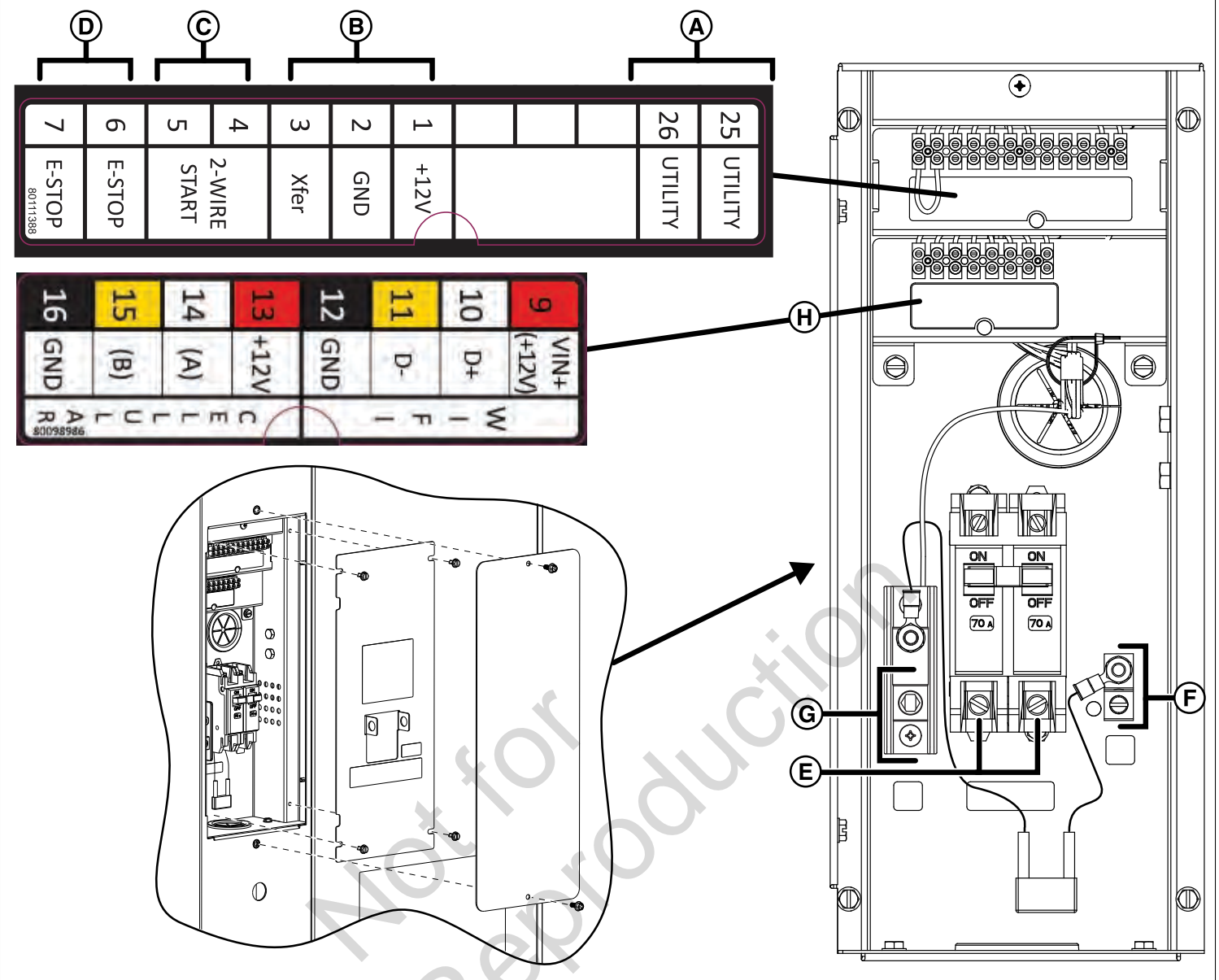
AVIS Si nécessaire, élargir l'entrée défonçable à la taille qui permettra aux fils de passer à travers.

AVIS Utiliser un aspirateur pour enlever la saleté ou les copeaux de métal dans et autour de la génératrice. Ne pas utiliser de souffleuse ou d'air comprimé, car des débris peuvent se coincer dans les composants électriques et mécaniques. Cela peut provoquer des dommages ou des dysfonctionnements.

3. Retirer les fixations (A, Figure 16) de la plaque inférieure du boîtier de raccordement de terrain.
4. Tirer les fils à travers l'œillet de caoutchouc (B) et dans le boîtier de raccordement de terrain.
5. Installer la plaque inférieure aux languettes dans le boîtier de raccordement de terrain à l'aide de fixations (A).
6. Arranger les raccordements de terrain tel qu'indiqué dans l'image (Figure 17) et le tableau qui suivent.
7. Installer les panneaux d'accès des raccordements de terrain (voir la section *Panneaux d'accès : Installation et retrait*).

16





Légende (Figure 17) :

- (A) Bornier de branchement de l'électricité de service et sur le terrain — Permet de raccorder l'électricité de service 240 v.c.a. à partir du bloc-fusibles dans le CTA au contrôleur. Ne connectez qu'un fil par borne. Se reporter au tableau suivant pour les connexions sur le terrain.
- (B) Branchement de l'interrupteur de transfert – Contrôle l'interrupteur de transfert.
- (C) Démarrage à deux fils – Offre un contact de démarrage à distance facultatif.
- (D) Arrêt d'urgence – Pour l'arrêt d'urgence externe facultatif
- (E) Branchement électrique (L1 et L2) – Branche l'alimentation au commutateur de transfert
- (F) Raccord de mise à la terre – Se branche au fil de mise à la terre du commutateur de transfert
- (G) Raccord neutre – Se branche au fil neutre du commutateur de transfert
- (H) Bloc de raccordement des communications – Voir le tableau qui suit :

Numéro de goupille	Description	Type de fil	Connecte à	Remarques
1	+12 V	Conducteurs de 18 AWG [1 mm ²], fil 600 V, 90 °C Cu minimum	Commande d'interrupteur de transfert de base J7-8 12 v.c.c.	Signal de transfert du commutateur de transfert (fonctionne seulement avec la commande du commutateur de transfert de base)
2	GND (Masse)	Conducteurs de 18 AWG [1 mm ²], fil 600 V, 90 °C Cu minimum	Mise à la terre de commande d'interrupteur de transfert de base J7-7	

Numéro de goupille	Description	Type de fil	Connecte à	Remarques
3	Transfert	Conducteurs de 18 AWG [1 mm ²], fil 600 V, 90 °C Cu minimum	Commande d'interrupteur de transfert de base J7-4 T/R	
4	DÉMARRAGE À DEUX FILS	Conducteurs de 18 AWG [1 mm ²], fil 600 V, 90 °C Cu minimum	Voir le manuel du commutateur de transfert pour déterminer si cette fonction est possible	Contact fermé pour démarrer Genset. (Seulement pour le commutateur de transfert qui offre cette option). La surveillance du secteur doit être désactivée pour ce contrôleur
5	DÉMARRAGE À DEUX FILS	Conducteurs de 18 AWG [1 mm ²], fil 600 V, 90 °C Cu minimum		
6	ARRÊT D'URGENCE	Conducteurs de 18 AWG [1 mm ²], fil 600 V, 90 °C Cu minimum	Interrupteur d'arrêt d'urgence	Contact ouvert pour éteindre Genset
7	ARRÊT D'URGENCE	Conducteurs de 18 AWG [1 mm ²], fil 600 V, 90 °C Cu minimum	Interrupteur d'arrêt d'urgence	
8	Non utilisé	-	-	-
9	NIV+ (+12 V)	Conducteurs de 18 AWG [1 mm ²], fil 600 V, 90 °C Cu minimum	Voir le manuel de la passerelle Amplify	Communication avec le module Wi-Fi
10	D-	Conducteurs de 18 AWG [1 mm ²], fil 600 V, 90 °C Cu minimum		Paire torsadée n° 1 : +12 V et GND
11	D+	Conducteurs de 18 AWG [1 mm ²], fil 600 V, 90 °C Cu minimum		Paire torsadée n° 2 : (D-) et (D+)
12	GND	Conducteurs de 18 AWG [1 mm ²], fil 600 V, 90 °C Cu minimum		
13	+12 V	Conducteurs de 18 AWG [1 mm ²], fil 600 V, 90 °C Cu minimum	Non utilisé	Non utilisé
14	(B)	Conducteurs de 18 AWG [1 mm ²], fil 600 V, 90 °C Cu minimum	Non utilisé	
15	(A)	Conducteurs de 18 AWG [1 mm ²], fil 600 V, 90 °C Cu minimum		
16	GND	Conducteurs de 18 AWG [1 mm ²], fil 600 V, 90 °C Cu minimum		
25	25	Fil de cuivre 14 AWG (2,5 mm ²) 600 V, 90 °C minimum		
26	26	Fil de cuivre 14 AWG (2,5 mm ²) 600 V, 90 °C minimum	Alimentation de service du commutateur de transfert	

- Pour le branchement de sortie d'alimentation, (L1, L2, neutre [N] et mise à la terre), consulter le National Electric Code (NEC) et les codes locaux pour des spécifications de fils correctes.
- Pour les fils de communication, utiliser un fil de 600 V et une paire de conducteurs torsadés 18 AWG [1 mm²] qui ne dépasse pas une longueur de 500 pi (150 m).
- Lors du raccordement au bornier, ne fixez qu'un fil à chaque vis de connexion.
- Serrer les vis du bornier à 4,4 po-lb [0,5 Nm].

Spécifications de branchement

Branchement	Capacité de température : °F (°C)	Calibre du fil recommandé (AWG)	Spécifications de couple
Disjoncteur (cuivre ou aluminium)	140 °F /167 °F (60 °C /75 °C)	6 à 1/0	45 po-lb (5,08 Nm)
Cosse neutre (cuivre ou aluminium)	167 °F (75 °C)	2/0 à 14 CU 2/0 à 12 AL	120 po-lb (13,56 Nm)
Cosse de mise à la terre (cuivre ou aluminium)	194 °F (90 °C)	14 à 2	50 po-lb (5,65 Nm)

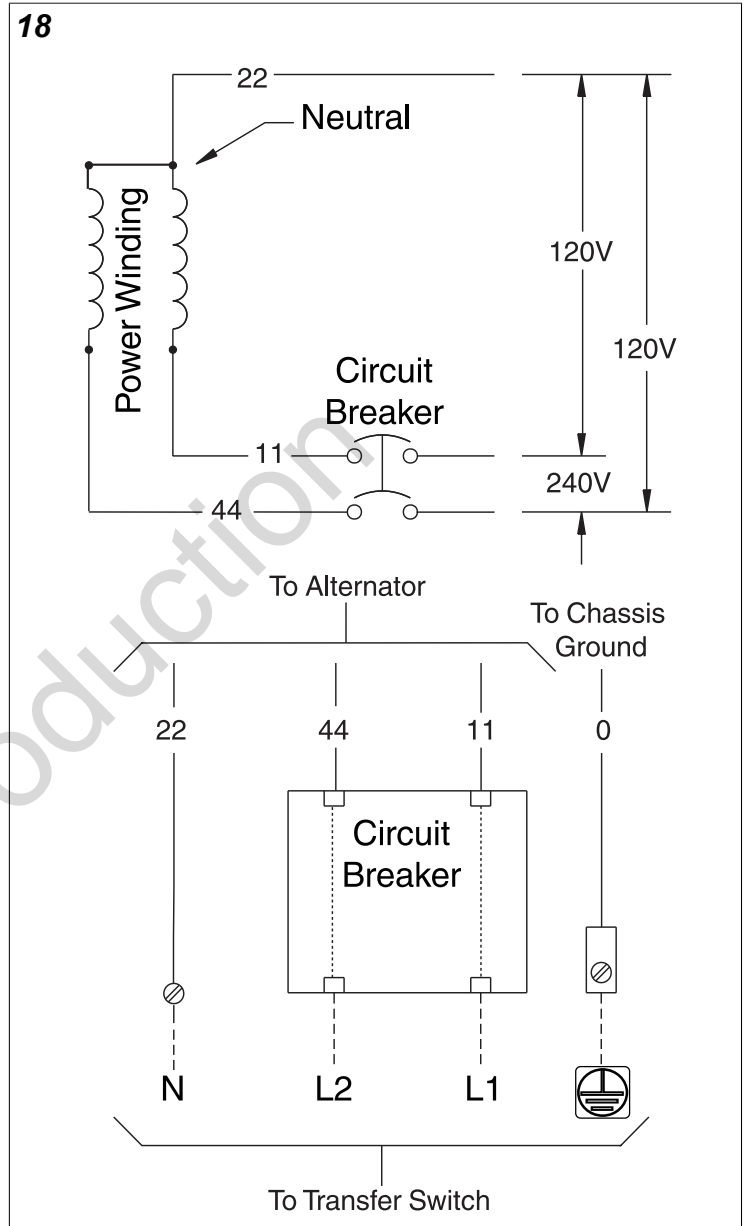
Raccords CA du système

La génératrice utilise un branchement C.A. monophasé à trois fils (Figure 18). L'assemblage du stator est constitué d'une paire de bobines stationnaires à deux bornes apparaissant de chaque bobine. La jonction des fils 22 et 33 forme un fil neutre.

AVIS : Le neutre n'est pas raccordé à la terre au niveau de la génératrice.

AVIS : La génératrice doit être utilisée uniquement avec un commutateur de transfert homologué UL qui est compatible avec la génératrice.

La génératrice doit être utilisée uniquement avec un commutateur de transfert qui est compatible avec la génératrice.



Mise à la terre de la génératrice

Sauf si stipulé par un code local, aucune mise à la terre supplémentaire du châssis de la génératrice n'est nécessaire. Toute mise à la terre de la génératrice doit comporter des rondelles de blocage pour perçage de peinture (ou un équivalent). Toutes bornes énumérées doivent être installées conformément aux instructions du fournisseur de borne. Toutes mises à la terre et installations de borne doivent

se conformer aux codes nationaux de l'électricité et aux exigences locales.

Huile à moteur

AVIS : Toute tentative de démarrer le moteur sans y avoir préalablement ajouté l'huile recommandée entraînera une défaillance de l'équipement et des codes d'entretien.

- Se reporter à *Entretien* de la section *Fonctionnement* du présent manuel pour en savoir plus au sujet de l'ajout d'huile.
- La garantie sur le moteur et la génératrice sera annulée si des dommages à l'équipement sont entraînés par le non-respect de cette directive.

Ce moteur a été testé en usine et est livré rempli d'huile entièrement synthétique (API SJ/CF 5W-30). Cela permet au système de fonctionner dans une plage élargie de températures et de conditions climatiques. Avant de démarrer le moteur, vérifier le niveau d'huile comme décrit dans la section *Entretien* du présent manuel.

L'utilisation d'huile entièrement synthétique ne modifie en rien les intervalles de vidange d'huile recommandés dans la section *Fonctionnement* du présent guide.

Batterie

AVERTISSEMENT

Les batteries d'accumulateurs dégagent du gaz d'hydrogène explosif lors de la recharge. La plus petite étincelle pourrait enflammer l'hydrogène et causer une explosion risquant d'entraîner des blessures graves, voire la mort.

- NE PAS jeter la batterie dans un feu. Recycler la batterie.
- NE PAS permettre de flamme nue, d'étincelle, de chaleur, de tison de cigarette au cours et plusieurs minutes après le chargement de la batterie.
- Avant de toucher les batteries, dissiper l'électricité statique du corps en touchant d'abord une surface métallique mise à la terre.



AVERTISSEMENT

Le fluide électrolyte de la batterie contient un acide et est extrêmement corrosif. Tout contact avec les composants de la batterie peut causer de graves brûlures chimiques.

- NE PAS tenter d'ouvrir ou de mutiler la batterie.
- Porter des lunettes de sécurité ainsi qu'un tablier, des bottes et des gants en caoutchouc.
- Laver immédiatement la peau avec de l'eau pour enlever l'électrolyte.
- Si l'électrolyte entre en contact avec les yeux, laver immédiatement avec de l'eau et obtenir de l'aide médicale.
- Tout électrolyte déversé doit être lessivé avec un agent neutralisant d'acide.
- Une pratique courante consiste à utiliser une solution d'une livre (500 grammes) de bicarbonate de soude pour un gallon (4 litres) d'eau. La solution de bicarbonate de soude doit être ajoutée jusqu'à ce que les signes de réaction (mousse) aient cessé. Le liquide obtenu doit être rincé avec de l'eau et la zone doit être séchée.

L'installateur doit fournir et installer une batterie de démarrage rechargeable de 12 V. La batterie de démarrage DOIT être conforme aux spécifications indiquées dans le tableau qui suit.

Spécifications de la batterie

Spécifications	Standard	Démarrage à froid (moins de 30 °F/-1 °C)
Volts	12 V.c.c.	12 V.c.c.
A (minimale)	540 CCA (nombre d'ampères au démarrage)	800 CCA (nombre d'ampères au démarrage)
Fabrication	Plomb-acide humide	Plomb-acide humide
Type de borne	Batterie à cosse supérieure	Batterie à cosse supérieure
Dimensions maximales	BCI 26 ou 51	BCI 24



AVERTISSEMENT

Si la batterie est branchée, la génératrice pourrait s'amorcer et démarrer sans avertissement, provoquant la mort ou des blessures graves.

- Ne pas connecter le câble négatif (-) à la batterie avant que l'installation soit terminée.

Installer la batterie comme décrit dans *Entretien de la batterie* de la section *Entretien* du présent manuel. S'assurer que le câble NÉGATIF est branché en dernier lieu et que l'isolateur de borne rouge POSITIF est solidement installé.

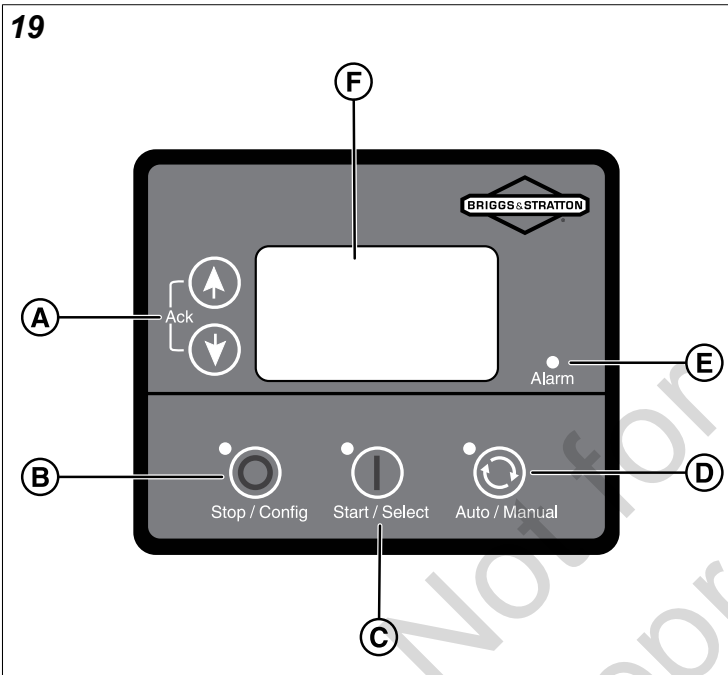
Commande du système

Le contrôleur de la génératrice, situé à l'intérieur du boîtier de la génératrice, est illustré ci-dessous (Figure 19). Voici

une brève description des commandes utilisées lors de l'installation :

- (A) Boutons de navigation Menu/Programmation
- (B) Bouton Arrêt/Config
- (C) Bouton Démarrer/Sélectionner
- (D) Bouton Auto/Manuel
- (E) Alarme
- (F) Affichage numérique – Affiche le mode de la génératrice, les options du menu et les alarmes

AVIS : Les descriptions détaillées des commandes se trouvent dans la section *Description des touches de commande* du manuel en ligne « *Instructions de fonctionnement du contrôleur de la série GC1030 GENSET* » associé à votre génératrice.



Démarrage initial (sans charge)

AVERTISSEMENT

Le rejet thermique et les gaz d'échappement pourraient enflammer les produits combustibles, provoquant la mort ou des blessures graves.

- Enlever toutes les matières combustibles du ou autour du compartiment de la génératrice.

L'appareil a été configuré en usine pour fonctionner au gaz naturel (GN). La conversion de carburant, s'il y a lieu, doit être effectuée avant de suivre ces étapes. Voir Conversion de carburant.

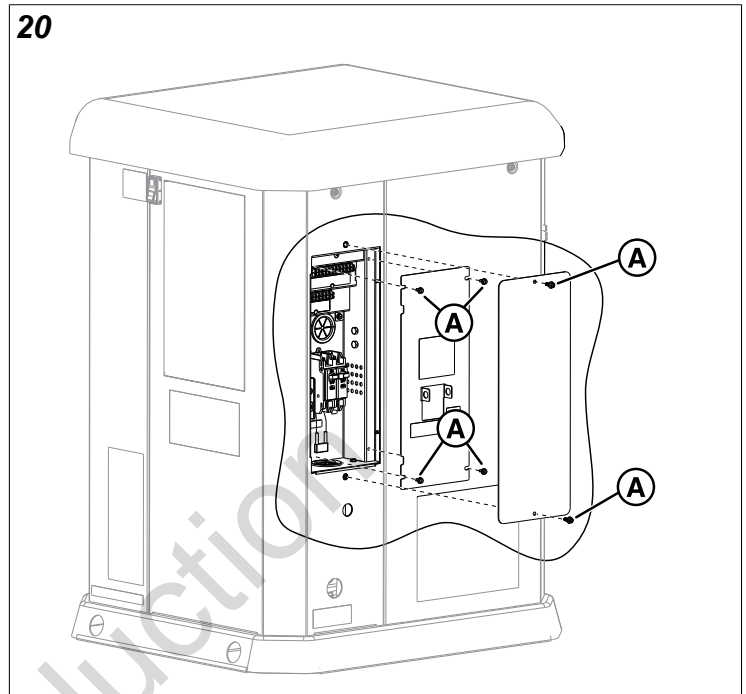
Avant d'utiliser ou de mettre en service la génératrice auxiliaire, vérifiez minutieusement l'ensemble de l'installation. Commencer ensuite des essais du système sans aucun branchement de charges électriques, comme indiqué dans les étapes qui suivent :

1. Retirer les vis (A, Figure 20) qui fixent les panneaux d'accès des raccordements sur le terrain pour exposer le disjoncteur de l'appareil.
2. Brancher un multimètre précis au fil côté secteur du disjoncteur principal de la génératrice.
3. Régler le disjoncteur principal de la génératrice à la position MARCHE (ON) (fermée).
4. Installer le fusible de 15 A (voir la section *Caractéristiques et commandes* pour connaître son emplacement).
5. Pousser l'interrupteur MARCHE/ARRÊT à la position MARCHE (I) (voir l'emplacement dans la section *Caractéristiques et commandes*).
6. Appuyer sur le bouton DÉMARRER/SÉLECTIONNER (START/SELECT) du tableau de commande. Le moteur démarrera en mode ralenti bas (LIM). Appuyer de nouveau pour faire fonctionner le moteur à plein régime.

AVIS : Pour le démarrage initial de la génératrice, tout air contenu dans les canalisations de carburant gazeux doit être purgé. Le moteur pourrait fonctionner grossièrement pendant quelques minutes

7. Écouter s'il y a des bruits ou des vibrations inhabituels et soyez attentif à tout signe de fonctionnement anormal. Vérifier la présence de fuites d'huile pendant que le moteur fonctionne.
8. Laisser réchauffer le moteur pendant environ cinq minutes afin de permettre à sa température interne de se stabiliser.
9. Vérifier la sortie de la génératrice au côté charge du disjoncteur. La tension doit être de 225 à 250 volts et la fréquence, de 59 à 61 Hz.
10. Vérifiez la sortie de la génératrice entre une cosse de contact de la génératrice et la cosse de contact neutre, puis entre l'autre cosse de contact et la cosse de contact neutre. Dans les deux cas, la tension devrait se situer entre 112 et 125 volts.

11. Appuyer sur le bouton ARRÊT/CONFIG (STOP/CONFIG) du tableau de commande. Le moteur entrera en mode Refroidissement pendant environ 5 minutes. Afin d'éviter le mode Refroidissement, appuyer sur le bouton ARRÊT/CONFIG de nouveau pour arrêter le moteur.
12. Installer le couvercle du disjoncteur.
13. Une fois l'essai terminé et réussi, installer le panneau avant et la paroi supérieure s'ils ont été retirés.



Utilisation

AVERTISSEMENT

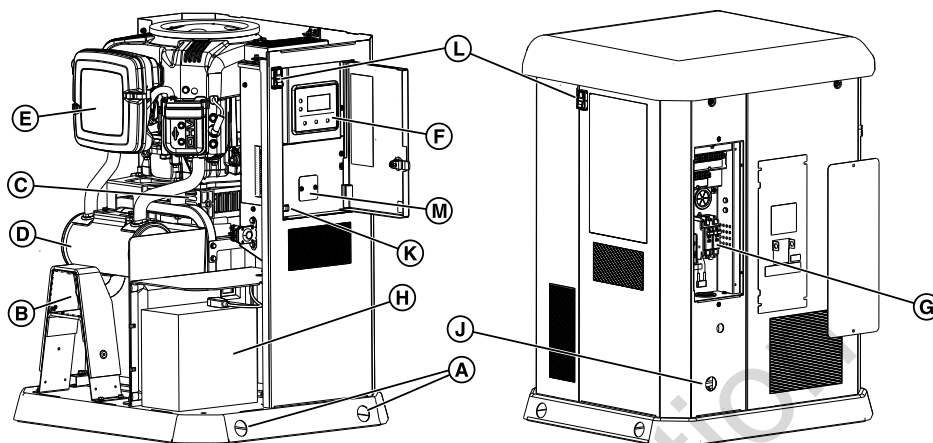


L'omission de lire et de respecter le Manuel d'utilisation, tous les avertissements et toutes les instructions de fonctionnement pourrait causer la mort ou des blessures graves.

Caractéristiques et commandes

Génératrice de 13 kW (Figure 21)

21



La génératrice est illustrée avec la paroi supérieure et les couvercles d'accès enlevés pour une meilleure clarté.

Légende :

- (A) Trous de levage – Fournis à chaque coin pour soulever la génératrice.
- (B) Orifice d'échappement – Silencieux haute performance qui réduit le bruit du moteur afin de se conformer à la plupart des codes en milieu résidentiel.
- (C) Alternateur – Un appareil électrique qui produit un courant alternatif.
- (D) Silencieux – Dispositif qui réduit le bruit du moteur.
- (E) Filtre à air – Ce dispositif comporte un élément filtrant sec afin de protéger le moteur en filtrant la poussière et les débris de l'entrée d'air.
- (F) Contrôleur – Utilisé pour diverses fonctions d'essai, de fonctionnement et d'entretien.
- (G) Disjoncteur – Protège le système contre les courts-circuits et les conditions de surintensité.
- (H) Compartiment de batterie – Pour la batterie de 12 volts CC fournie par l'installateur qui fournit l'énergie pour démarrer le moteur.
- (J) Admission du carburant – Raccorder ici l'alimentation appropriée en carburant de la génératrice.
- (K) Fusible – Protège le système électrique CC contre les courts-circuits et les conditions de surintensité.
- (L) Interrupteur MARCHE/ARRÊT – Pour allumer (I) et éteindre (O) la génératrice.
- (M)* Fenêtre d'affichage à DEL du chargeur de la batterie – Surveille la tension de sortie. Voir le tableau qui suit pour des renseignements sur les étiquettes et les couleurs.

* Les voyants à DEL du chargeur de batterie et leurs significations

ÉTIQUETTE	COULEUR	DÉFINITION
BOOST MANUEL	Rouge	Mode Boost manuel - tension de sortie de 14,4 V
BOOST AUTO	Vert	Charge de masse - tension de sortie à 13,7 V, batterie de charge de service
ENTRETIEN	Bleu	Batterie chargée - charge d'entretien sous 13,2 V
BATT INV	Rouge	Mode de batterie inversé - raccords du chargeur de la batterie inversés

REMARQUES :

1. Passage constant entre les lumières bleue et verte = court-circuit de la sortie du chargeur

Considérations importantes pour le propriétaire

AVERTISSEMENT

Les gaz d'échappement du moteur contiennent du monoxyde de carbone, un gaz toxique pouvant provoquer la mort en quelques minutes. Il est inodore, invisible et sans saveur. Même si vous ne sentez pas de vapeurs d'échappement, vous pourriez quand même être exposé(e) au gaz de monoxyde de carbone.

- Des détecteurs de monoxyde de carbone DOIVENT être installés à l'intérieur et entretenus conformément aux instructions et recommandations du fabricant. Les détecteurs de fumée ne détectent pas le monoxyde de carbone.
- Si vous commencez à vous sentir mal ou faible ou que votre alarme de monoxyde de carbone sonne pendant que vous utilisez ce produit, sortez au grand air immédiatement. Appelez les services d'urgence. Vous pourriez être intoxiqué(e) par le monoxyde de carbone.

Huile à moteur

Ce moteur a été testé en usine et est livré rempli d'huile entièrement synthétique (API SJ/CF 5W-30). Cela permet au système de fonctionner dans une plage élargie de températures et de conditions climatiques. Avant de démarrer le moteur, vérifiez le niveau d'huile, comme décrit dans la section *Entretien*.

AVIS : Toute tentative de démarrer le moteur avant qu'il ait été adéquatement rempli avec l'huile recommandée entraînera une défaillance de l'équipement.

- La garantie sur le moteur et la génératrice sera annulée si des dommages à l'équipement sont entraînés par le non-respect de cette directive.

Batterie

L'installateur doit fournir une batterie de démarrage rechargeable de 12 v.c.c.. Voir *Batterie* dans la section *Installation* de ce manuel.

Fusible de 15 A

Vérifiez que le fusible est convenablement installé avant de faire fonctionner la génératrice.

Séquence de fonctionnement automatique

La commande de la génératrice surveille la tension de service. Si la tension de service chute sous un niveau prédéfini, le tableau de commande signale le lancement et le démarrage du moteur. Lorsque la tension de service est rétablie au niveau de tension prédéfini, le moteur reçoit des signaux d'arrêt. Le fonctionnement actuel du système ne

peut être modifié, et il est séquencé par des capteurs et des minuteries de la commande de la manière suivante :

Capteur de désexcitation de la tension de l'alimentation de service

- Ce capteur surveille la tension de l'alimentation de service.
- Si la tension baisse sous environ 88 % de la tension d'alimentation nominale, le capteur déclenche une minuterie.
- Lorsque le décompte est expiré, le moteur est lancé et démarre.

Capteur de prise en charge de la tension de service

Ce capteur surveille la tension de l'alimentation. Lorsque la tension de service est rétablie à plus d'environ 90 % de la tension nominale source, une minuterie de mise à l'arrêt est déclenchée et le moteur entre en mode Refroidissement.

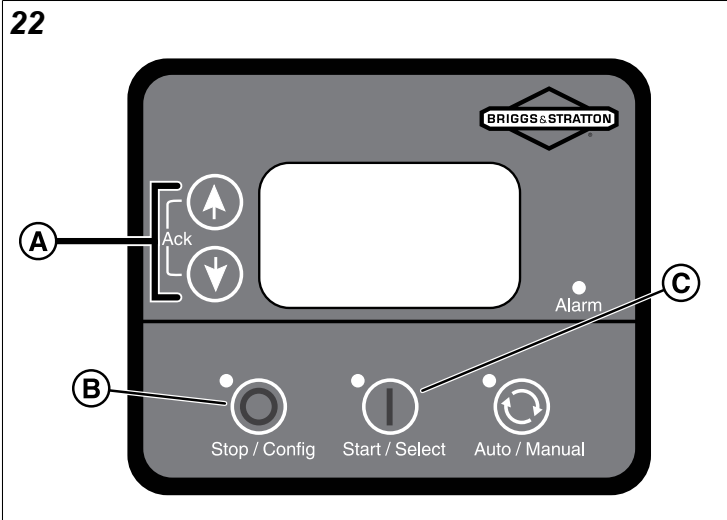
Minuterie de refroidissement du moteur

Lorsqu'une alimentation de service est détectée et que la charge est transférée à la source de service, le moteur entre dans une période de refroidissement de cinq minutes.

Régler la minuterie de cycle d'exercice

1. Pousser et maintenir enfoncé le bouton Arrêt/Config (STOP/CONFIG) (B, Figure 22).
2. Appuyer sur le bouton Démarrer/Sélectionner (START/SELECT) (C) pour entrer en MODE ÉCRITURE (WRITE).
3. Entrer le mot de passe (0000) au moyen des touches fléchées (A) et du bouton Démarrer/Sélectionner (START/SELECT) (C).
4. Dans l'écran CONFIGURATION, trouver « MODULE » au moyen des touches fléchées (A).
5. Appuyer sur le bouton Démarrer/Sélectionner (START/SELECT) (C) et trouver « EXERCICE AUTO (AUTO EXERCISE) » au moyen des touches fléchées (A).
6. Appuyer sur le bouton Démarrer/Sélectionner (START/SELECT) (C) et, à l'aide des touches fléchées (A), sélectionner chaque paramètre et choisir les réglages souhaités.

7. Pour sauvegarder les réglages une fois la configuration terminée, appuyer sur le bouton Arrêt/Config (STOP/ CONFIG) (B) et le maintenir enfoncé jusqu'à ce que « Enregistrement des paramètres » (Saving Settings) s'affiche à l'écran.



Une liste détaillée de tous les paramètres à l'écran se trouve dans la section *Configuration du GCU* du manuel en ligne « *Instructions de fonctionnement du contrôleur de la série GC1030 GENSET* » associé à votre génératrice.

Not for
Reproduction

Entretien

Entretien du système – Avant et après

AVERTISSEMENT



La tension de la génératrice et de l'électricité de service pourrait causer un choc électrique ou des brûlures, provoquant la mort ou des blessures graves.

- NE PAS laisser les personnes non qualifiées utiliser ou effectuer un entretien de l'équipement.

AVERTISSEMENT



Si la batterie est branchée, la génératrice pourrait s'amorcer et démarrer sans avertissement, provoquant la mort ou des blessures graves.

- Avant tout entretien, arrêter la génératrice et débrancher le câble négatif (-) de la batterie.

AVANT de procéder à l'entretien de votre génératrice, vous DEVEZ suivre les étapes suivantes :

1. Pousser l'interrupteur MARCHE/ARRÊT à la position ARRÊT (voir l'emplacement dans la section *Caractéristiques et commandes*).
2. Couper l'alimentation électrique de la génératrice pour mettre le chargeur de batterie hors tension.
3. Déverrouiller et ouvrir ou retirer la paroi supérieure, tel que décrit dans la section *Panneaux d'accès : Installation et retrait*.
4. Retirer tous les panneaux d'accès nécessaires afin de pouvoir effectuer l'entretien de votre génératrice, tel que décrit dans la section *Panneaux d'accès : Installation et retrait*.
5. Débrancher le câble négatif (-) de la batterie
6. Retirer le fusible de 15 A du porte-fusible (voir la section *Caractéristiques et commandes* pour connaître son emplacement)
7. Exécuter les étapes d'entretien comme indiqué.

APRÈS avoir effectué l'entretien de votre génératrice, vous DEVEZ suivre les étapes suivantes :

8. Brancher le câble négatif (-) à la batterie.
9. Installer tous les panneaux d'accès que vous avez retirés de votre génératrice, tel que décrit dans *Panneaux d'accès : Installation et retrait*.
10. Installer la fusible 15 A dans le porte-fusible (se reporter à la section *Caractéristiques et commandes* pour connaître l'emplacement).

11. Paroi supérieure et contrôleur : Si le contrôleur de la génératrice se trouve sur un des panneaux latéraux de l'enceinte – installer la paroi supérieure si celle-ci a été retirée (voir la section *Panneaux d'accès : Installation et retrait*). Si le contrôleur de la génératrice se trouve sous la paroi supérieure – ne pas fermer ou installer la paroi supérieure pour le moment.
12. Rétablir l'alimentation électrique à la génératrice.
13. Pousser l'interrupteur MARCHE/ARRÊT à la position MARCHE (I) (voir l'emplacement dans la section *Caractéristiques et commandes*)
14. Accéder au contrôleur de la génératrice et régler le mode de la génératrice à AUTO
15. Fermer et verrouiller la porte d'accès du contrôleur ou fermer et verrouiller la paroi supérieure, tel que décrit dans la section *Panneaux d'accès : Installation et retrait*.

AVIS Cela dépend de l'emplacement du contrôleur de la génératrice. Voir la section *Panneaux d'accès : Installation et retrait*.

Calendrier d'entretien

Respecter les intervalles horaires ou calendrier de fonctionnement, le premier des deux prévalant.

Aux 8 heures de fonctionnement ou chaque jour
Nettoyer les débris
Vérifier le niveau d'huile du moteur
Aux 100 heures de fonctionnement ou tous les ans
Changer le filtre à air
Changer l'huile moteur et le filtre à l'huile
Remplacer des bougies
Vérifier le jeu des soupapes
Vérifier les couples de serrage du disjoncteur
Chaque année
Nettoyer les ailettes de refroidissement d'huile

Un entretien régulier améliore les performances et prolonge la durée de vie de la génératrice. Consulter un détaillant autorisé au sujet de l'entretien.

Entretien de la génératrice

La garantie de la génératrice ne couvre pas les éléments soumis à l'abus ou à la négligence de l'opérateur. Pour que la garantie soit entièrement valide, l'opérateur doit entretenir la génératrice conformément aux instructions contenues dans ce manuel.

Le propriétaire de la génératrice doit effectuer régulièrement des ajustements.

Toutes les opérations d'entretien et de réglage doivent être effectuées au moins une fois par saison. Suivre les instructions dans la section *Calendrier d'entretien*.

Garder l'appareil propre. Faire fonctionner l'appareil dans un environnement sans saleté, poussière, moisissure ou vapeurs corrosives. Les admissions d'air et les sorties de refroidissement de l'enceinte ne doivent pas être obstruées par de la neige, des feuilles ou d'autres corps étrangers. Afin de prévenir tout dommage à la génératrice causé par la surchauffe, gardez les entrées et les sorties de refroidissement du boîtier propres et dégagées en tout temps.

Examiner souvent la propreté de l'appareil et nettoyer ce dernier lorsque de la poussière, des saletés, de l'huile, de l'humidité ou d'autres substances étrangères apparaissent sur sa surface interne/externe. Inspecter les ouvertures d'entrée et de sortie d'air ainsi que l'extérieur du boîtier pour s'assurer que la circulation de l'air n'est pas obstruée.

AVIS : Un traitement inadéquat de la génératrice peut l'endommager et réduire sa durée de vie utile.

- N'exposez PAS la génératrice à de l'humidité excessive, à la poussière, aux saletés ou aux vapeurs corrosives.
- NE PAS insérer d'objet dans les fentes de refroidissement.

Nettoyer la génératrice



AVERTISSEMENT

Le rejet thermique et les gaz d'échappement pourraient enflammer les produits combustibles, provoquant la mort ou des blessures graves.

- Garder la zone autour de la génératrice propre et sans débris.

AVIS : NE PAS utiliser le jet direct d'un boyau d'arrosage pour nettoyer la génératrice. L'eau peut entrer dans le moteur et la génératrice et causer des problèmes.

AVIS : Inspecter régulièrement la partie externe du moteur au niveau de la contamination et de l'endommagement potentiel causés par la saleté, les feuilles, les rongeurs, les toiles d'araignée, les insectes, etc. et retirer ces matières.

1. **Avant** de nettoyer votre génératrice, vous DEVEZ effectuer les étapes 1 à 6 de la section *Entretien du système*, puis continuer à l'étape 2 dans cette section.
2. Nettoyer la génératrice en suivant les étapes ci-après :
 - a. Utiliser un linge humide pour nettoyer les surfaces extérieures.
 - b. Déloger la saleté et les débris à l'aide d'une brosse à poils souples et d'un aspirateur. Souffler la saleté au moyen d'une faible pression d'air (25 psi ou 175 kPa au maximum).
 - c. Nettoyer les entrées et les sorties d'air de toute neige, feuille ou tout débris. Garder ses ouvertures libres de toutes obstructions afin de prévenir tout dommage à la génératrice causé par la surchauffe.
3. **Après** avoir nettoyé votre génératrice, vous DEVEZ effectuer les étapes 8 à 15 de la section *Entretien du système*.

Entretien du moteur

Huile à moteur

Utiliser seulement l'huile à moteur synthétique Briggs & Stratton® SAE 5W-30. D'autres huiles détergentes entièrement synthétiques de haute qualité sont acceptables si elles sont de catégorie SJ ou supérieure.

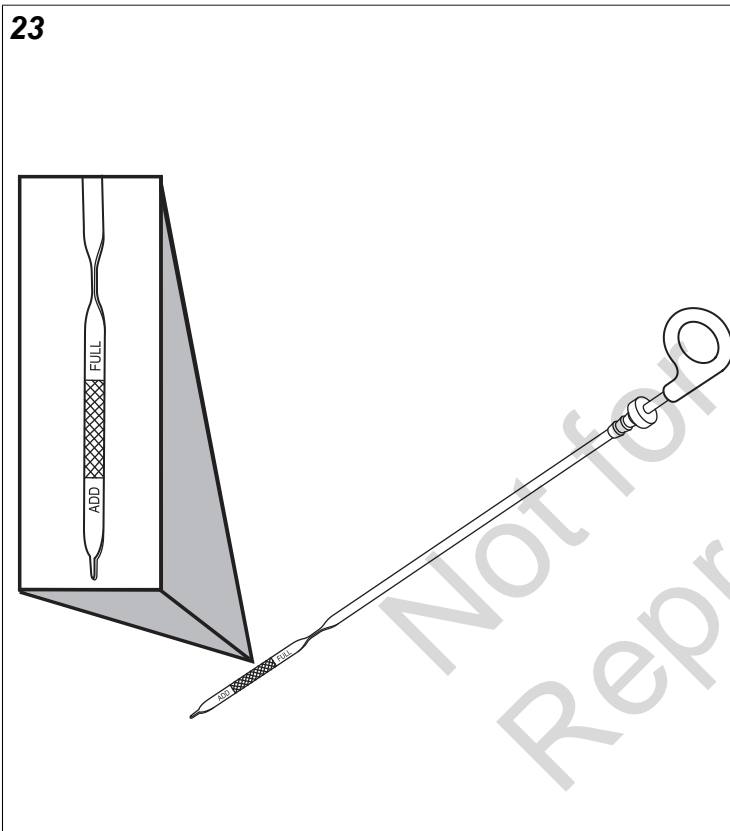
Vérifier le niveau d'huile de moteur

AVIS La jauge d'huile ou les marques sur la jauge d'huile (Figure 23) peuvent différer de celles de votre modèle de génératrice.

Maintenir le niveau d'huile entre les marques « ADD » (Ajouter) et « FULL » (Plein) sur la jauge à huile. Avant le vérifier l'huile, suivre les étapes suivantes pour s'assurer de ne pas avoir une lecture erronée :

Le niveau d'huile doit être entre les repères « AJOUTER » (ADD) et « PLEIN » (FULL) sur la jauge. Pour veiller à ne pas avoir une lecture erronée indiquée sur la jauge, suivre les étapes suivantes avant de vérifier l'huile.

1. **Avant** d'effectuer l'entretien du moteur de votre génératrice, vous DEVEZ effectuer les étapes 1 à 6 de la section *Entretien du système*, puis continuer à l'étape 2 dans cette section.
2. Si la génératrice a fonctionné récemment, attendre 5 minutes pour que l'huile puisse revenir dans le bac à huile.
3. Retirer la jauge. Essuyer la jauge avec un linge propre ou un papier essuie-tout. Pousser ensuite la jauge tout au fond du tube.
4. Retirer la jauge et noter la quantité d'huile dessus. Le niveau d'huile doit être entre les marques « ADD » (Ajouter) et « FULL » (Plein) sur la jauge à huile.
5. Si le niveau d'huile est en-dessous de l'indicateur « AJOUTER » (ADD) (Figure 23), installer la jauge et passer à l'étape suivante.



6. Retirer le bouchon de remplissage d'huile du couvercle de soupape.
7. Ajouter la quantité requise pour remonter le niveau jusqu'à, mais sans dépasser la marque « PLEIN » (FULL) sur la jauge. Installer le bouchon de remplissage d'huile sur le couvercle de soupape et essuyer tout excès d'huile.
8. **Après** avoir effectué l'entretien du moteur de votre génératrice, vous DEVEZ effectuer les étapes 8 à 15 de la section *Entretien du système*.

Changer l'huile et le filtre à huile

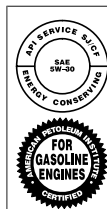
AVIS : Vidanger l'huile lorsque le moteur est encore chaud après fonctionnement.

1. **Avant** de changer l'huile et le filtre à huile de votre génératrice, vous DEVEZ effectuer les étapes 1 à 6 de la section *Entretien du système*, puis continuer à l'étape 2 dans cette section.
2. Mettre le tuyau de vidange d'huile dans un récipient approuvé.
3. Retirer le raccord en laiton de l'extrémité du tuyau de vidange d'huile.
4. Une fois l'huile vidangée, replacer le raccord en laiton sur le tuyau.
5. Placer un contenant approuvé sous le filtre à huile.
6. Enlever le filtre à huile et le jeter de façon appropriée.
7. Avant l'installation du nouveau filtre à huile, lubrifier légèrement le joint d'étanchéité du filtre avec de l'huile fraîche et propre.
8. Installer le filtre à huile à la main jusqu'à ce que le joint d'étanchéité touche l'adaptateur de filtre à huile, puis serrer le filtre à huile de 1/2 à 3/4 de tour.
9. Ajouter la quantité requise pour remonter le niveau jusqu'à, mais sans dépasser la marque « PLEIN » (FULL) sur la jauge. Installer le bouchon de remplissage d'huile et essuyer tout excédant d'huile.
10. **Après** avoir changé l'huile et le filtre à huile sur votre génératrice, vous DEVEZ effectuer les étapes 8 à 15 de la section *Entretien du système*.

Huile à moteur

Le moteur est rempli d'huile entièrement synthétique (API SJ/CF 5W-30). Cette huile permet au système de fonctionner sous une vaste plage de température et conditions météorologiques.

Nous recommandons l'utilisation de l'huile moteur entièrement synthétique Briggs & Stratton® SAE 5W-30. D'autres huiles détergentes de haute qualité de catégorie SJ ou supérieure sont acceptables. Ne pas utiliser d'additifs spéciaux.



Une huile acceptable à toutes les températures est une huile entièrement synthétique qui :

- Satisfait les normes de l'International Lubricant Specification Advisory Committee (ILSAC) GF-2
- Porte une marque d'homologation API
- Possède le symbole de service API avec « SJ/CF energy conserving » (conservation d'énergie SJ/CF) ou plus élevé

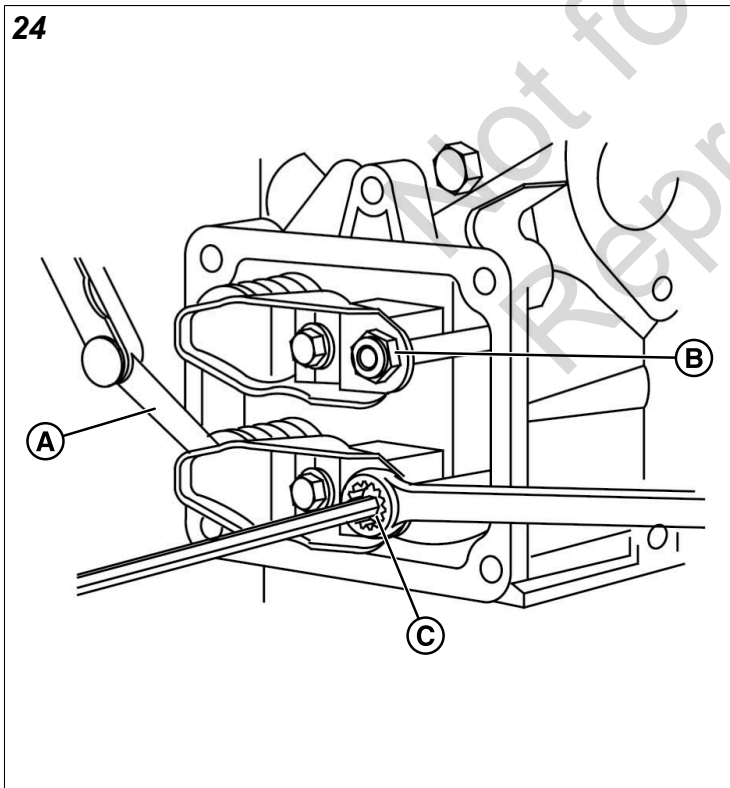
L'utilisation d'huile synthétique ne modifie en rien les intervalles de vidange d'huile recommandés dans la section *Fonctionnement*.

Régler l'espace de dégagement des soupapes

Le jeu des soupapes doit être vérifié toutes les 100 heures de fonctionnement. Mesurer le jeu des soupapes lorsque le

moteur est froid. Effectuer les étapes suivantes pour régler l'espace de dégagement des soupapes :

1. **Avant** de régler le jeu des soupapes de votre génératrice, vous DEVEZ effectuer les étapes 1 à 6 de la section *Entretien du système*, puis continuer à l'étape 2 dans cette section.
2. Retirer les deux bougies d'allumage pour faciliter la rotation manuelle du vilebrequin du moteur.
3. Faire tourner le vilebrequin dans le sens antihoraire jusqu'à ce que le piston soit au *point mort haut* de la course de compression.
4. Régler le cylindre n° 1 à 1/4 po (6 mm) passé le point mort haut (PMH) sur la course de compression.
5. À l'aide d'une jauge d'épaisseur (A, Figure 24), mesurer le dégagement de la soupape.
6. Pour un dégagement de soupape approprié pour l'admission et l'échappement, voir la section *Spécifications du moteur*.
7. Régler le dégagement en desserrant le contre-écrou (B), puis en tournant la vis de réglage (C).
8. Une fois le dégagement correctement réglé, tenir la vis d'ajustement tout en serrant le contre-écrou à 70 po-lb (8 Nm).
9. Répéter ces étapes pour le cylindre n° 2.
10. **Après** avoir réglé le jeu des soupapes de votre génératrice, vous DEVEZ effectuer les étapes 8 à 15 de la section *Entretien du système*.



Système de régulation électronique

Le système de régulation électronique du moteur offre un meilleur contrôle et un rendement accru de la génératrice par rapport aux systèmes régulés mécaniquement. Le

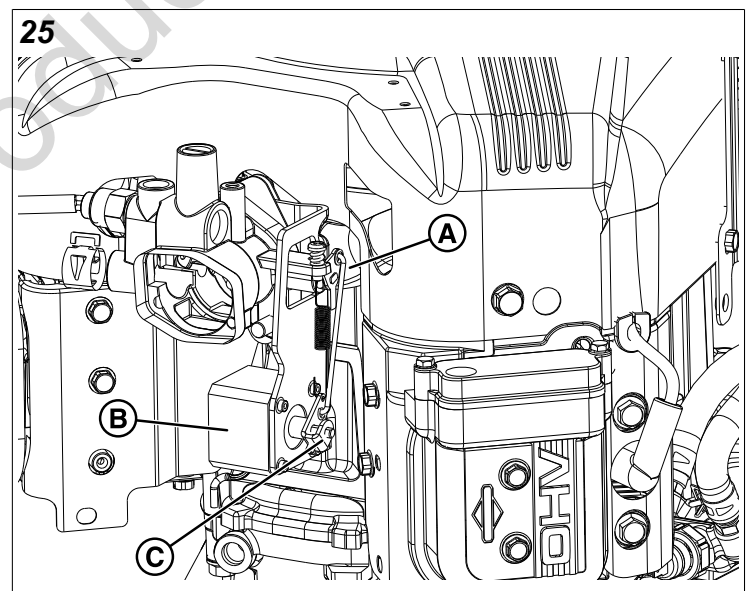
résultat est un fonctionnement sans heurt et régulier sans la « recherche d'équilibre » commune à de nombreux régulateurs mécaniques. Le système réduit également les variations de vitesse du moteur pendant la charge ou la décharge, et réduit considérablement la fluctuation de fréquence présente lorsque le moteur fonctionne sous des charges élevées.

Le système de régulateur électronique est composé d'un moteur pas à pas (B, Figure 25), de tringleries de commande de la manette des gaz de moteur pas à pas (C) et d'une tringlerie côté manette des gaz (A). Le contrôleur de la génératrice contient un contrôleur numérique qui traite les informations de vitesse du moteur et envoie les commandes appropriées au moteur pas à pas pour contrôler la position de la manette des gaz du moteur.

Puisque le système de régulation électronique commande la manette des gaz du moteur en se basant sur la charge de la génératrice, les codes de service suivants ou les conditions suivantes pourraient survenir lors d'un problème du système de régulation électronique :

- Le moteur ne démarre pas
- Sur-vitesse
- Sous-fréquence
- Commande du moteur sans charge instable

Lors du dépannage de l'une ou l'autre de ces conditions, faire une vérification du système de régulation électronique par le biais du tableau de commande.



Vérification du régulateur électronique

La génératrice comporte une fonction de vérification du régulateur électronique qui met le moteur pas-à-pas en marche et déplace la tringlerie d'accélérateur dans le sens des aiguilles d'une montre et en sens inverse des aiguilles d'une montre dans les limites de l'accélérateur. Le test fera tourner le moteur pas-à-pas et déplacer le bras de la manette des gaz entre les limites du régime maximal et de l'arrêt jusqu'à dix secondes. Cette vérification permet de vérifier visuellement si le moteur pas-à-pas fonctionne correctement et si les liens de commande sont connectés. Le moteur

n'essaie pas de démarrer pendant ce test. Si le moteur pas-à-pas ne bouge pas ou si une tringlerie se coince, alors un entretien de la génératrice est nécessaire.

AVIS : Si le moteur pas à pas ne bouge pas, s'assurer que le connecteur du moteur pas à pas est fixé.

Entretien des bougies

AVERTISSEMENT 

Une étincelle de moteur accidentelle peut causer un choc électrique ou une explosion provoquant un étranglement, une amputation traumatique ou une lacération.

Avant de faire des ajustements ou des réparations :

- Débrancher tous les câbles de bougie et les garder à l'écart des bougies.
- Débrancher le câble de batterie à la borne négative de la batterie (uniquement sur les moteurs avec démarrage électrique).
- Utiliser uniquement les outils appropriés.

Quand vous vérifiez s'il y a étincelle :

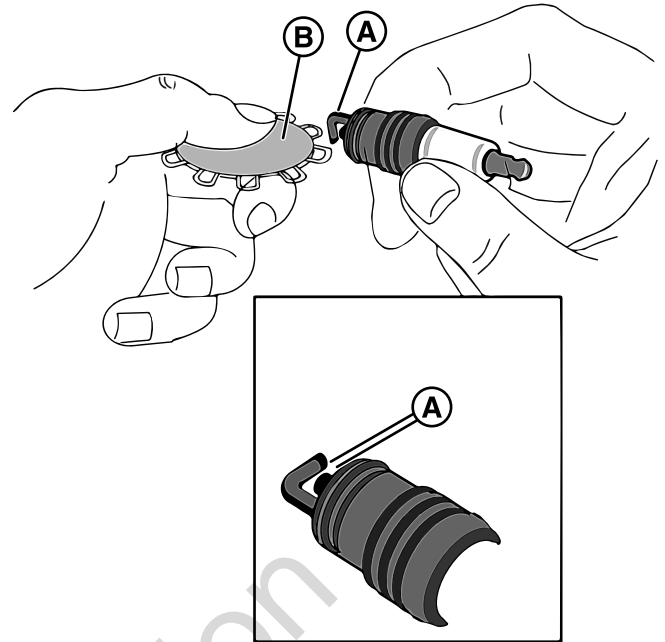
- Utiliser un vérificateur de bougies d'allumage approuvé.
- Ne pas vérifier s'il y a étincelle lorsque la bougie est enlevée.

Le remplacement des bougies facilite le démarrage du moteur et améliore son fonctionnement.

1. **Avant** d'effectuer l'entretien des bougies de votre génératrice, vous DEVEZ effectuer les étapes 1 à 6 de la section *Entretien du système*, puis passer à l'étape 2 dans cette section.
2. Nettoyer la surface entourant les bougies.
3. Enlevez la bougie d'allumage et examinez-la.

4. Vérifier l'écartement des électrodes (A, figure 26) à l'aide d'une jauge d'épaisseur (B) et régler l'écartement de la bougie sur l'écartement recommandé si nécessaire (voir la section *Spécifications du moteur*).

26



5. Remplacer les bougies si les électrodes sont piquées ou brûlées ou si la porcelaine est fissurée. Utiliser les bougies de remplacement recommandées (voir la rubrique *Spécifications du moteur*).
6. Installer les bougies et les serrer à un couple de 180 po-lb (20 Nm).
7. **Après** avoir effectué l'entretien des bougies sur votre génératrice, vous DEVEZ effectuer les étapes 8 à 15 de la section *Entretien du système*.

Filtre à air du moteur

AVERTISSEMENT 

Les évaporations gazeuses sont inflammables et explosives. Un incendie ou une explosion pourrait causer des brûlures graves voire la mort.

- Ne jamais démarrer et faire fonctionner le moteur lorsque l'assemblage de filtre à air (le cas échéant) ou le filtre à air (le cas échéant) est retiré.
1. **Avant** d'effectuer l'entretien du filtre à air du moteur de votre génératrice, vous DEVEZ effectuer les étapes 1 à 6 de la section *Entretien du système*, puis continuer à l'étape 2 dans cette section.
 2. Retirer l'élément filtrant.

3. Nettoyer le tube de sortie et vérifier la soupape de décompression de poussières (si équipé). Utiliser un linge propre pour essuyer la surface de scellement du filtre ainsi que les surfaces du tube de sortie. Retirer tous les contaminants avant d'insérer un filtre neuf. Ne pas endommager la zone de scellement du tube. Inspecter et presser la soupape de décompression de poussières fixée au couvercle d'entretien en veillant à ce qu'elle soit flexible et qu'elle ne soit pas inversée, endommagée ou obstruée.
4. Nettoyer le filtre. Utiliser une brosse à soie douce pour déloger les accumulations de saletés et un aspirateur pour retirer les saletés et les débris. Remplacer l'élément filtrant s'il présente des trous.
5. Installer correctement le filtre nettoyant. Insérer délicatement le filtre. Placer le filtre avec les mains, en s'assurant qu'il repose complètement dans le logement du filtre à air avant de poser le couvercle.
6. Installer le couvercle d'entretien. S'assurer que toutes les bandes de montage, toutes les attaches, tous les boulons et toutes les connexions du système de filtre à air sont bien serrés. Examiner s'il y a des trous dans la tuyauterie. Les réparer au besoin.
7. **Après** avoir effectué l'entretien du filtre à air du moteur de votre génératrice, vous DEVEZ effectuer les étapes 8 à 15 de la section *Entretien du système*.

Entretien du système d'échappement

AVERTISSEMENT



Tout contact avec la zone du silencieux pourrait causer des brûlures, provoquant des blessures graves.

- NE PAS toucher aux pièces chaudes et ÉVITER le contact avec les gaz d'échappement.
- Laisser l'équipement refroidir avant de toucher.

Lors de l'inspection du système d'échappement, vérifier les éléments suivants :

- Inspecter le collecteur d'échappement à la culasse pour la présence de fuites.
- Vérifier si tous les boulons de retenue et les dispositifs de protection (le cas échéant) sont en place.
- Inspecter les attaches entre le collecteur et le tuyau d'échappement et s'assurer qu'ils sont bien serrés et qu'il n'y a aucune fuite d'échappement. Réparer les fuites au besoin.
- Vérifier s'il y a des fuites à la connexion du tuyau d'échappement. Réparer les fuites au besoin.

L'utilisation ou le fonctionnement du moteur sur des terrains forestiers, broussailleux ou herbeux constituent une violation de la Section 4442 du Code des ressources publiques de Californie (California Public Resource Code), à moins que le système d'échappement ne soit équipé d'un pare-étincelles, comme le définit la Section 4442, maintenu en bon état de marche. D'autres États ou juridictions fédérales peuvent avoir

des lois similaires; consulter le Règlement fédéral 36 CFR, section 261.52.

Entretien du circuit d'alimentation



AVERTISSEMENT

Le gaz propane et le gaz naturel sont extrêmement inflammables et explosifs et pourraient causer des brûlures, un incendie ou une explosion, provoquant la mort ou des blessures graves.

- Examiner régulièrement le système de carburant.
- Il ne peut y avoir AUCUNE fuite.
- NE PAS utiliser le moteur en présence d'une odeur de carburant.

Régulateur de pression

Les composants du régulateur et de la pression ont été conçus et calibrés spécifiquement afin de satisfaire aux exigences du circuit d'alimentation du moteur.

Un régulateur qui ne fonctionne pas ou qui présente une fuite doit être réparé ou remplacé avec les pièces de remplacement recommandées du fabricant d'équipement. Lors de l'examen du régulateur, vérifier les éléments suivants :

- Vérifier s'il y a des fuites de carburant à l'admission et aux raccords de sortie.
- Vérifier s'il y a des fuites de carburant dans le régulateur.
- S'assurer que le régulateur est installé adéquatement et que les boulons de montage sont bien serrés.
- Examiner s'il y a des dommages externes au régulateur.

Dispositif de commande du mélangeur et de la manette des gaz

Les composants du mélangeur et du corps de la manette des gaz ont été conçus et étalonnés spécifiquement afin de satisfaire aux exigences du système de carburant du moteur.

Un filtre à air sale peut nuire considérablement au rendement du diffuseur. Veiller à ce que le filtre à air soit propre. Lors de l'examen du mélangeur et du corps de la manette des gaz, vérifier les éléments suivants :

- Vérifier la présence de fuites sur tous les raccords.
- S'assurer que le corps de la manette des gaz et le diffuseur sont solidement montés.
- Examiner et nettoyer le filtre à air conformément aux intervalles d'entretien recommandés indiqués sur la section *Calendrier d'entretien*.
- Examiner la connexion du tuyau d'admission d'air et la bride. Examiner pour déceler la présence de fissures, de séparation ou de hachure sur le tuyau. Remplacer le tuyau, si nécessaire.
- Examiner pour déceler la présence éventuelle de fissures, de séparation ou de hachures sur les conduites de carburant. Remplacer les conduites de carburant, si nécessaire.

- Examiner le corps de la manette des gaz et le collecteur d'admission pour déceler la présence de fuites. Remplacer, si nécessaire.

Alarmes (système de détection des codes de défaillance)

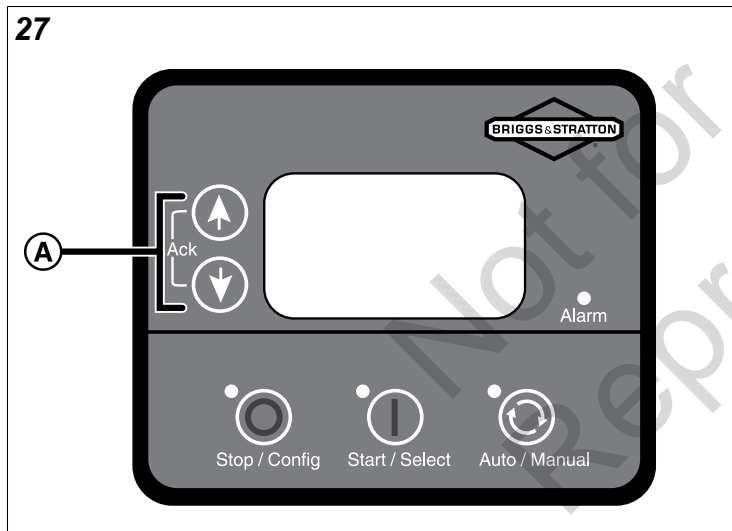
La génératrice fonctionne pendant de longues périodes sans la présence d'un opérateur. Par conséquent, le système comporte des détecteurs qui arrêtent automatiquement la génératrice en présence de conditions pouvant causer des dommages, comme une basse pression de l'huile, une température élevée, une survitesse et d'autres conditions.

L'affichage du tableau de commande de la génératrice indique les descriptions des alarmes.

Consulter la section *Alarmes* du manuel en ligne intitulé *Instructions de fonctionnement commande GC1030 série GENSET* pour des détails sur les descriptions d'alarme de service.

Reconnaître et réarmer les alarmes

Appuyer simultanément sur les flèches vers le haut et vers le bas (A, Figure 27) pour réarmer l'alarme.



Entretien du système électrique de la génératrice

Câblage et connexion

Les connexions du système électrique et les circuits de mise à la terre exigent de bonnes connexions. Lors de l'inspection du système électrique, vérifiez les éléments suivants :

- Examiner s'il y a de la corrosion, du frottement, de la friction ou des brûlures sur les câbles de batterie positif (+) et négatif (-). S'assurer que les connexions des deux extrémités sont bien serrées.
- Examiner si le boîtier de la batterie présente des fissures ou d'autres dommages. Remplacer si nécessaire.

- Examiner si le faisceau de câbles du moteur présente des signes de frottement, d'usure, de pincement, de brûlure, de fissures ou de bris au câblage.
- S'assurer que les connecteurs de faisceau du moteur sont adéquatement verrouillés.
- Examiner les câbles de la bobine d'allumage pour voir s'ils présentent des signes de durcissement, de fissures, de frottement, de brûlures et de séparation et vérifier que les couvercles ne sont pas fendus.
- Examiner les bougies d'allumage pour voir si elles présentent des signes de durcissement, de fissures, de frottement, de brûlure et de séparation et vérifier que les couvercles ne sont pas fendus.
- Remplacer les bougies d'allumage aux intervalles mentionnés dans la section du *Calendrier d'entretien*.
- S'assurer que tous les composants électriques sont solidement fixés au moteur ou au châssis.
- S'assurer que tout service électrique additionnel ajouté par le propriétaire est convenablement installé dans le système.

Entretien de la batterie

Une personne connaissant les batteries et les précautions associées doit effectuer l'entretien de la batterie ou le superviser. Garder le personnel non autorisé à l'écart des batteries.



AVERTISSEMENT

Le fluide électrolyte de la batterie contient un acide et est extrêmement corrosif. Tout contact avec les composants de la batterie peut causer de graves brûlures chimiques.

- NE PAS tenter d'ouvrir ou de mutiler la batterie.
- Porter des lunettes de sécurité ainsi qu'un tablier, des bottes et des gants en caoutchouc.
- Laver immédiatement la peau avec de l'eau pour enlever l'électrolyte.
- Si l'électrolyte entre en contact avec les yeux, laver immédiatement avec de l'eau et obtenir de l'aide médicale.
- Tout électrolyte déversé doit être lessivé avec un agent neutralisant d'acide.
- Une pratique courante consiste à utiliser une solution d'une livre (500 grammes) de bicarbonate de soude pour un gallon (4 litres) d'eau. La solution de bicarbonate de soude doit être ajoutée jusqu'à ce que les signes de réaction (mousse) aient cessé. Le liquide obtenu doit être rincé avec de l'eau et la zone doit être séchée.

AVERTISSEMENT



Les batteries d'accumulateurs dégagent du gaz d'hydrogène explosif lors de la recharge. La plus petite étincelle pourrait enflammer l'hydrogène et causer une explosion risquant d'entraîner des blessures graves, voire la mort.

- NE PAS jeter la batterie dans un feu. Recycler la batterie.
- NE PAS permettre de flamme nue, d'étincelle, de chaleur, de tison de cigarette au cours et plusieurs minutes après le chargement de la batterie.
- Avant de toucher les batteries, dissiper l'électricité statique du corps en touchant d'abord une surface métallique mise à la terre.

AVERTISSEMENT



Un courant élevé lors d'un court-circuit de batterie peut causer une blessure grave.

- Enlever vos montres, bagues et autres objets métalliques.
 - Utiliser des outils dont les poignées sont isolées.
 - Déconnecter la source de chargement avant de connecter ou de déconnecter les bornes de la batterie.
 - Ne pas placer d'outils ou de pièces métalliques sur les batteries.
 - Déconnecter le câble négatif (-) de la batterie lors d'installation ou d'entretien.
1. Pousser l'interrupteur MARCHE/ARRÊT à la position ARRÊT (voir l'emplacement dans la section *Caractéristiques et commandes*).
 2. Couper l'alimentation électrique de la génératrice pour mettre le chargeur de batterie hors tension.
 3. Déverrouiller et ouvrir ou retirer la paroi supérieure, tel que décrit dans la section *Panneaux d'accès : Installation et retrait*.
 4. Retirer le fusible 15 A (se reporter à la section *Caractéristiques et commandes* pour connaître l'emplacement).
 5. Débrancher le câble négatif (-) de la batterie.
 6. Débrancher le câble positif (+) de la batterie.
 7. Faire l'entretien ou remplace la batterie, si nécessaire.
 8. Brancher le câble positif (+) à la batterie.
 9. Brancher le câble négatif (-) à la batterie.
 10. Installer le fusible 15 A dans le porte-fusible (se reporter à la section *Caractéristiques et commandes* pour connaître l'emplacement).
 11. Paroi supérieure et contrôleur : Si le contrôleur de la génératrice se trouve sur un des panneaux latéraux de l'enceinte – installer la paroi supérieure si celle-ci a été retirée (voir la section *Panneaux d'accès : installation et retrait*). Si le contrôleur de la génératrice se trouve sous la paroi supérieure – ne pas fermer ou installer la paroi supérieure pour le moment
 12. Rétablir l'alimentation électrique à la génératrice.

13. Pousser l'interrupteur MARCHE/ARRÊT à la position MARCHE (I) (voir l'emplacement dans la section *Caractéristiques et commandes*).
14. Accéder au contrôleur de la génératrice et régler le mode de la génératrice à AUTO.
15. Fermer et verrouiller la porte d'accès du contrôleur ou fermer et verrouiller la paroi supérieure, tel que décrit dans la section *Panneaux d'accès : Installation et retrait*.

AVIS Cela dépend de l'emplacement du contrôleur de la génératrice. Voir la section *Panneaux d'accès : Installation et retrait*.

Remplacement de la batterie

Lors du remplacement des batteries, utiliser le même nombre et le même type de batteries. Voir le tableau *Spécifications des batteries* dans la section *Batterie*.

1. Pousser l'interrupteur MARCHE/ARRÊT à la position ARRÊT (voir l'emplacement dans la section *Caractéristiques et commandes*).
2. Couper l'alimentation électrique de la génératrice pour mettre le chargeur de batterie hors tension.
3. Déverrouiller et ouvrir ou retirer la paroi supérieure, tel que décrit dans la section *Panneaux d'accès : Installation et retrait*.
4. Retirer le fusible 15 A (se reporter à la section *Caractéristiques et commandes* pour connaître l'emplacement).
5. Débrancher le câble négatif (-) de la batterie.
6. Débrancher le câble positif (+) de la batterie.
7. Enlever la batterie et installer la batterie de remplacement.



NE PAS POLLUER. PRÉSERVEZ LES RESSOURCES. RETOURNER LA BATTERIE USÉE À UN CENTRE DE COLLECTE SÉLECTIVE.

8. Brancher le câble positif (+) à la batterie.
9. Brancher le câble négatif (-) à la batterie.
10. Installer le fusible 15 A dans le porte-fusible (se reporter à la section *Caractéristiques et commandes* pour connaître l'emplacement).
11. Paroi supérieure et contrôleur : Si le contrôleur de la génératrice se trouve sur un des panneaux latéraux de l'enceinte – installer la paroi supérieure si celle-ci a été retirée (voir la section *Panneaux d'accès : Installation et retrait*). Si le contrôleur de la génératrice se trouve sous la paroi supérieure – ne pas fermer ou installer la paroi supérieure pour le moment.
12. Rétablir l'alimentation électrique à la génératrice.
13. Pousser l'interrupteur MARCHE/ARRÊT à la position MARCHE (I) (voir l'emplacement dans la section *Caractéristiques et commandes*).
14. Accéder au contrôleur de la génératrice et régler le mode de la génératrice à AUTO.

15. Fermer et verrouiller la porte d'accès du contrôleur ou fermer et verrouiller la paroi supérieure, tel que décrit dans la section *Panneaux d'accès : Installation et retrait*.

AVIS Cela dépend de l'emplacement du contrôleur de la génératrice. Voir la section *Panneaux d'accès : Installation et retrait*.

Recharge de la batterie

S'il faut charger la batterie, procéder comme suit :

1. Pousser l'interrupteur MARCHE/ARRÊT à la position ARRÊT (voir l'emplacement dans la section *Caractéristiques et commandes*).
2. Couper l'alimentation électrique de la génératrice pour mettre le chargeur de batterie hors tension.
3. Déverrouiller et ouvrir ou retirer la paroi supérieure, tel que décrit dans la section *Panneaux d'accès : Installation et retrait*.
4. Retirer le fusible 15 A (se reporter à la section *Caractéristiques et commandes* pour connaître l'emplacement).
5. Débrancher le câble négatif (-) de la batterie.

AVIS Ne pas débrancher le câble négatif de la batterie peut entraîner une défaillance de l'équipement. NE PAS essayer de faire démarrer la génératrice à l'aide d'une batterie d'appoint. Tout dommage à l'équipement résultant du non-respect de cette instruction annulera la garantie du moteur et de la génératrice.

6. Charger la batterie avec le chargeur à batterie à 2 A jusqu'à ce que la batterie tienne une charge de 12 V. NE PAS dépasser 13,7 V.

AVIS NE PAS utiliser un générateur de renforcement de la charge de la batterie pour charger rapidement une batterie faible.

7. Brancher le câble négatif (-) à la batterie.
8. Installer le fusible 15 A dans le porte-fusible (se reporter à la section *Caractéristiques et commandes* pour connaître l'emplacement).
9. Paroi supérieure et contrôleur : Si le contrôleur de la génératrice se trouve sur un des panneaux latéraux de l'enceinte – installer la paroi supérieure si celle-ci a été retirée (voir la section *Panneaux d'accès : Installation et retrait*). Si le contrôleur de la génératrice se trouve sous la paroi supérieure – ne pas fermer ou installer la paroi supérieure pour le moment.
10. Rétablir l'alimentation électrique à la génératrice.
11. Pousser l'interrupteur MARCHE/ARRÊT à la position MARCHE (I) (voir l'emplacement dans la section *Caractéristiques et commandes*).
12. Accéder au contrôleur de la génératrice et régler le mode de la génératrice à AUTO.
13. Fermer et verrouiller la porte d'accès du contrôleur ou fermer et verrouiller la paroi supérieure, tel que décrit dans la section *Panneaux d'accès : Installation et retrait*.

AVIS Cela dépend de l'emplacement du contrôleur de la génératrice. Voir la section *Panneaux d'accès : Installation et retrait*.

Dépannage

Tableau de dépannage

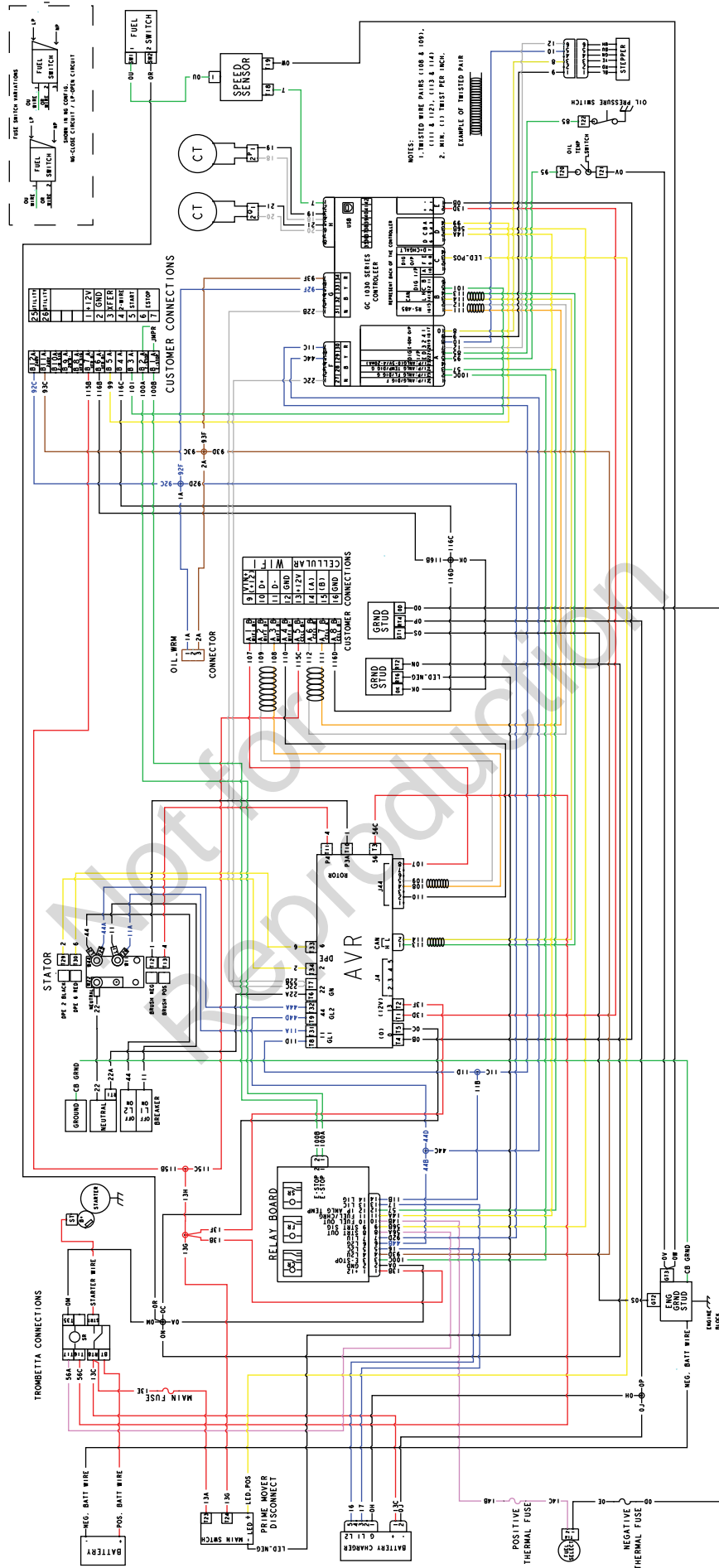
Consulter la section *Alarmes* du manuel en ligne intitulé *Directives de fonctionnement commande GC1030 série GENSET* pour des détails sur les descriptions d'alarme de service. Composez le 800 732-2989 ou visitez www.briggsandstratton.com pour de l'assistance.

PROBLÈME	CAUSE	CORRECTION
Le moteur fonctionne, mais il n'y a aucune sortie de CA.	<ol style="list-style-type: none"> 1. Le disjoncteur est ouvert ou défectueux. 2. Une alarme est affichée sur l'affichage numérique de la commande. 3. Les raccords du câblage sont mal effectués ou le commutateur de transfert est défectueux. 	<ol style="list-style-type: none"> 1. Réarmez ou remplacez le disjoncteur. 2. Consulter la section du manuel en ligne intitulé <i>Directives de fonctionnement commande GC1030 série GENSET</i> pour des détails. Contacter un centre local de service. 3. Vérifier et réparer ou contacter le centre de service local.
Le moteur tourne bien sans charge, mais il connaît des ratés lorsque les charges sont branchées.	<ol style="list-style-type: none"> 1. La génératrice est surchargée. 2. Il y a un court-circuit dans une des charges branchées. 3. Un circuit de génératrice est court-circuité. 4. La pression ou le mélange du carburant incorrect. 5. La ligne de carburant est pliée entre le régulateur et le moteur. 6. Le filtre à air est bouché. 	<ol style="list-style-type: none"> 1. Enlevez une ou plusieurs charges. 2. Débrancher la charge électrique en court-circuit. 3. Contacter un centre local de service. 4. Consulter la section <i>Plan d'installation du carburant</i> dans ce manuel. 5. Supprimer le pli. Remplacer la conduite, si nécessaire. 6. Nettoyer ou remplacer le filtre à air.
Le moteur ne démarre pas ou il démarre et a des ratés.	<ol style="list-style-type: none"> 1. Fusible de 15 A manquant ou grillé. 2. Le ou les fusibles thermiques sont grillés. 3. L'alimentation en carburant est fermée ou épuisée. 4. La sélection de carburant sur le contrôleur et le mélangeur est incorrecte. 5. Batterie défectueuse. 6. Le filtre à air est bouché. 7. La manette des gaz gripe. 	<ol style="list-style-type: none"> 1. Installer un fusible 15 A neuf (se reporter à la section <i>Caractéristiques et commandes</i> pour connaître l'emplacement). Remplacer les fusibles thermiques. 2. Remplacer les fusibles thermiques. 3. Ouvrir la ou les vannes de carburant; vérifier le réservoir de gaz propane. 4. Vérifier le profil du contrôleur et le configurer au profil correct. Vérifier les vis du mélangeur et les configurer aux positions correctes. 5. Remplacer la batterie. 6. Nettoyer ou remplacer le filtre à air. 7. Vérifier la tringlerie.
Le moteur s'arrête en plein fonctionnement.	<ol style="list-style-type: none"> 1. L'alimentation en carburant est fermée ou épuisée. 2. Une alarme est affichée sur l'affichage numérique de la commande. 	<ol style="list-style-type: none"> 1. Vérifier les vannes de carburant; remplir le réservoir de gaz propane. 2. Consulter la section du manuel en ligne intitulé <i>Directives de fonctionnement commande GC1030 série GENSET</i> pour des détails. Contacter un centre local de service.
Les circuits perdent de la puissance.	<ol style="list-style-type: none"> 1. Un disjoncteur de la génératrice est ouvert. 2. Le commutateur de transfert a des problèmes. 	<ol style="list-style-type: none"> 1. Réarmer le disjoncteur. 2. Consulter le manuel pour le commutateur de transfert.
L'appareil ne fait pas de cycle.	<ol style="list-style-type: none"> 1. Le tableau de commande n'est pas réglé à AUTO. 2. La minuterie d'exercice n'est pas réglée ou est réglée à « ARRÊT ». 3. La date et l'heure de l'appareil ne sont pas réglées. 4. Batterie défectueuse. 5. Le fusible de 15 A manque ou est grillé. 	<ol style="list-style-type: none"> 1. Sur la commande, appuyer sur le bouton AUTO. 2. Régler la minuterie de cycle d'exercice. 3. Régler la date et l'heure de l'appareil. 4. Remplacer la batterie. 5. Installer un fusible neuf de 15 A. Voir également la section <i>Caractéristiques et commandes</i>.
La génératrice vibre de manière excessive.	<ol style="list-style-type: none"> 1. Une fixation mécanique est desserrée. 	<ol style="list-style-type: none"> 1. Vérifier et réparer ou contacter le centre de service local.

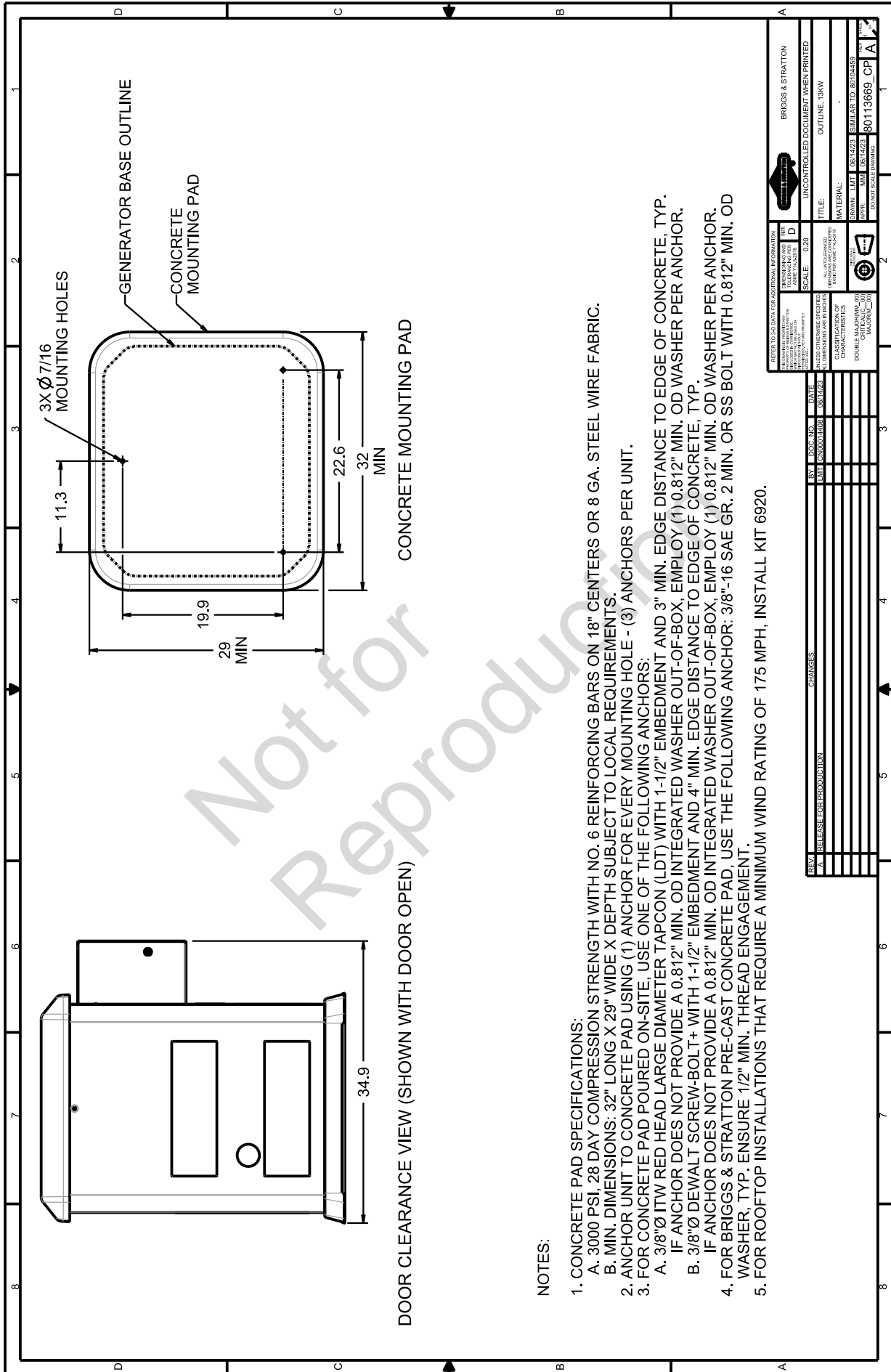
PROBLÈME	CAUSE	CORRECTION
Une odeur de carburant est présente.	1. Fuites d'essence.	1. Fermer le robinet de fermeture à commande manuelle du carburant. Contacter un centre local de service.
L'alimentation de service revient et l'appareil ne s'arrête pas.	1. Fusibles grillés dans le commutateur de transfert. 2. Le refroidissement de cinq minutes est toujours en cours. 3. Raccord du câblage mal effectué ou commandes défectueuses.	1. Installer des fusibles neufs. 2. Attendre cinq minutes. 3. Inspecter et réparer l'appareil ou contacter le centre de service local.
Problèmes possibles en mode MANUEL (MANUAL).	-	Consulter le Tableau <i>Défaillances courantes et mesures correctives</i> du manuel en ligne <i>Instructions d'utilisation du contrôleur GENSET GC1030</i> pour des informations.
Problèmes possibles en mode AUTO.	-	Consulter le Tableau <i>Défaillances courantes et mesures correctives</i> à l'intérieur du manuel en ligne <i>Instructions d'utilisation du contrôleur GENSET GC1030</i> pour des informations.
Problèmes possibles avec le régulateur électronique.	-	Consulter le Tableau <i>Défaillances courantes et mesures correctives</i> du manuel en ligne <i>Instructions d'utilisation du contrôleur GENSET GC1030</i> pour des informations.

Not for
Reproduction

Diagramme de câblage



Spécifications du socle de béton



DOOR CLEARANCE VIEW (SHOWN WITH DOOR OPEN)

NOTES:

1. CONCRETE PAD SPECIFICATIONS:
 - A. 3000 PSI, 28 DAY COMPRESSION STRENGTH WITH NO. 6 REINFORCING BARS ON 18" CENTERS OR 8 GA. STEEL WIRE FABRIC.
 - B. MIN. DIMENSIONS: 32" LONG X 29" WIDE X DEPTH SUBJECT TO LOCAL REQUIREMENTS.
2. ANCHOR UNIT TO CONCRETE PAD USING (1) ANCHOR FOR EVERY MOUNTING HOLE - (3) ANCHORS PER UNIT.
3. FOR CONCRETE PAD POURED ON-SITE, USE ONE OF THE FOLLOWING ANCHORS:
 - A. 3/8"Ø ITW RED HEAD LARGE DIAMETER TAPCON (LDT) WITH 1-1/2" EMBEDMENT AND 3" MIN. EDGE DISTANCE TO EDGE OF CONCRETE, TYP.
 - B. 3/8"Ø DEWALT SCREW-BOLT+ WITH 1-1/2" EMBEDMENT AND 4" MIN. EDGE DISTANCE TO EDGE OF CONCRETE, TYP.
4. IF ANCHOR DOES NOT PROVIDE A 0.812" MIN. OD INTEGRATED WASHER OUT-OF-BOX, EMPLOY (1) 0.812" MIN. OD WASHER PER ANCHOR.
5. IF ANCHOR DOES NOT PROVIDE A 0.812" MIN. OD INTEGRATED WASHER OUT-OF-BOX, EMPLOY (1) 0.812" MIN. OD WASHER PER ANCHOR.
6. FOR BRIGGS & STRATTON PRE-CAST CONCRETE PAD, USE THE FOLLOWING ANCHOR: 3/8"-16 SAE GR. 2 MIN. OR SS BOLT WITH 0.812" MIN. OD WASHER, TYP. ENSURE 1/2" MIN. THREAD ENGAGEMENT.
7. FOR ROOFTOP INSTALLATIONS THAT REQUIRE A MINIMUM WIND RATING OF 175 MPH, INSTALL KIT 6920.

REFER TO 2-D DATA FOR ADDITIONAL INFORMATION DRAWING NO. 13K DATE 08/24/23 SCALE 0:20 UNCONTROLLED DOCUMENT WHEN PRINTED		BRIGGS & STRATTON UNCONTROLLED DOCUMENT WHEN PRINTED TITLE: OUTLINE, 13KW	
DESIGNED BY: LMT CHECKED BY: LMT DRAWN BY: LMT DATE: 08/24/23		MATERIAL: CONCRETE DOUBLE MALFORMING OR MALFORMING MALFORMING	
REV. NO. 1 BY: LMT DATE: 08/24/23 REASON: RELEASE FOR PRODUCTION		DRAWING NO. 13K DATE: 08/24/23 SCALE: 0:20	

Spécifications

Spécifications de la génératrice : 13 kW

Intensité de charge nominale maximale (à 25 °C/77 °F, PL) à 240 V	54,2 A	
Tension nominale CA	120/240 volts	
Phase	Monophasé	
Fréquence nominale	60 hertz	
Disjoncteur de la génératrice	70 A	
Plage d'utilisation normale	-20 °F (-28 °C) à 104 °F (40 °C)	
Niveau de bruit*	Mode ralenti bas	64 dB(A)
	Fonctionnement normal	70 dB(A)
Poids d'expédition	370 lb (168 kg)	

*Selon ISO 3744. Mic la plus basse à 23 pi (7 m) sans charge.

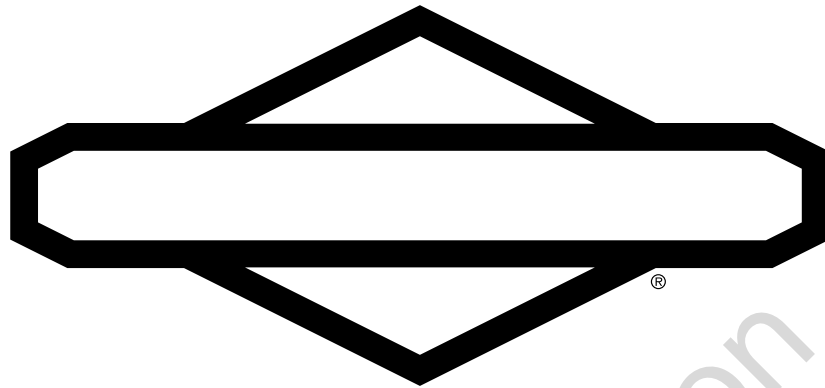
Spécifications du moteur de 13 kW

Cylindrée	38,26 ci. (627 cc)
Alésage	2,972 po (75,5 mm)
Course	2,756 po (70 mm)
Écartement des électrodes de bougie	0,020 po (0,51 mm)
Couple de serrage de bougie	180 lb-po (20 Nm)
Entrefer armature/carcasse	0,008 - 0,012 po (0,20 - 0,30 mm)
Jeu de soupape d'admission	0,004 - 0,006 po (0,10 - 0,15 mm)
Dégagement de soupape d'échappement	0,007 à 0,009 po (0,15 à 0,23 mm)
Type d'huile	5W30 entièrement synthétique
Volume maximal d'huile (avec filtre)	De 42 à 45 oz (de 1,24 l à 1,33 l)
Boulon de couvercle d'extrémité de moteur	220 lb-po (25 Nm)

Not for
Reproduction

Not for
Reproduction

Not for
Reproduction



BRIGGS & STRATTON®

Not for
Reproduction