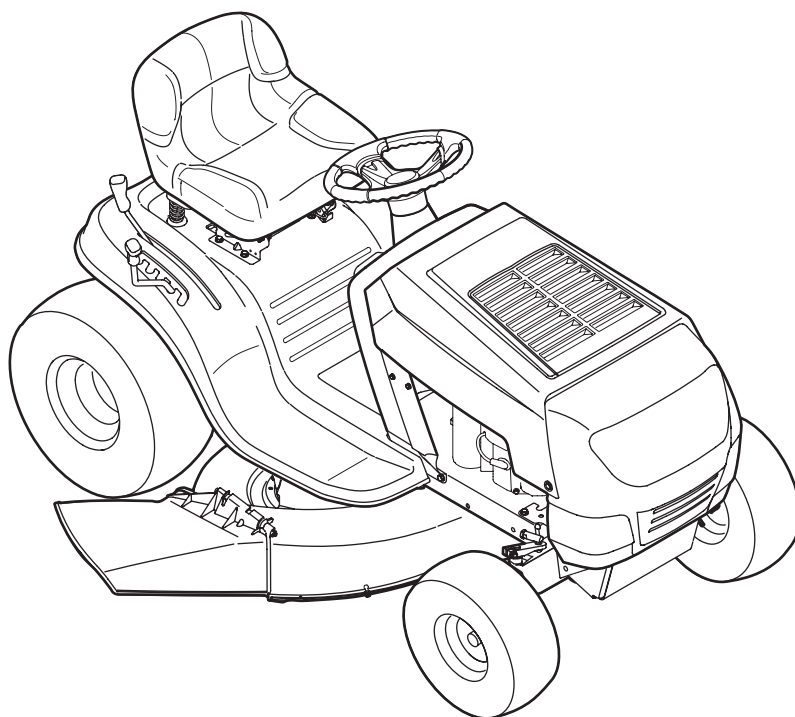


OPERATOR'S MANUAL



Model Series 760-770 Lawn Tractor

⚠ WARNING

**READ AND FOLLOW ALL SAFETY RULES AND INSTRUCTIONS IN THIS MANUAL
BEFORE ATTEMPTING TO OPERATE THIS MACHINE.
FAILURE TO COMPLY WITH THESE INSTRUCTIONS MAY RESULT IN PERSONAL INJURY.**

MTD LLC, P.O. BOX 361131 CLEVELAND, OHIO 44136-0019

Thank You

Thank you for purchasing a lawn tractor manufactured by MTD LLC. It was carefully engineered to provide excellent performance when properly operated and maintained.

Please read this entire manual prior to operating the equipment. It instructs you how to safely and easily set up, operate and maintain your machine. Please be sure that you, and any other persons who will operate the machine, carefully follow the recommended safety practices at all times. Failure to do so could result in personal injury or property damage.

All information in this manual is relative to the most recent product information available at the time of printing. Review this manual frequently to familiarize yourself with the machine, its features and operation. Please be aware that this Operator's Manual may cover a range of product specifications for various models. Characteristics and features discussed and/or illustrated in this manual may not be applicable to all models. MTD LLC reserves the right to change product specifications, designs and equipment without notice and without incurring obligation.

If you have any problems or questions concerning the machine, phone your local authorized MTD service dealer or contact us directly. MTD's Customer Support telephone numbers, website address and mailing address can be found on this page. We want to ensure your complete satisfaction at all times.

Throughout this manual, all references to *right* and *left* side of the machine are observed from the operating position

The engine manufacturer is responsible for all engine-related issues with regards to performance, power-rating, specifications, warranty and service. Please refer to the engine manufacturer's Owner's/Operator's Manual, packed separately with your machine, for more information.

Table of Contents

<i>Safe Operation Practices</i>	3	<i>Troubleshooting</i>	28
<i>Assembly & Set-Up</i>	9	<i>Replacement Parts</i>	29
<i>Controls & Features</i>	12	<i>Attachments & Accessories</i>	30
<i>Operation</i>	15	<i>CA. Emission Control Statement</i>	33
<i>Maintenance & Adjustment</i>	19	<i>Warranty</i>	35
<i>Service</i>	23	<i>Spanish</i>	36

Record Product Information

Before setting up and operating your new equipment, please locate the model plate on the equipment and record the information in the provided area to the right. You can locate the model plate by looking beneath the seat. This information will be necessary, should you seek technical support via our web site, Customer Support Department, or with a local authorized service dealer.

MODEL NUMBER

--	--	--	--	--	--	--	--	--	--	--	--

SERIAL NUMBER

--	--	--	--	--	--	--	--	--	--	--	--

Customer Support

Please do NOT return the machine to the retailer or dealer without first contacting our Customer Support Department.

If you have difficulty assembling this product or have any questions regarding the controls, operation, or maintenance of this machine, you can seek help from the experts. Choose from the options below:

- ◇ Visit us on the web at www.mtdproducts.com
- ◇ Call a Customer Support Representative at (800) 800-7310 or (330) 220-4683
- ◇ Write us at MTD LLC • P.O. Box 361131 • Cleveland, OH • 44136-0019



WARNING! This symbol points out important safety instructions which, if not followed, could endanger the personal safety and/or property of yourself and others. Read and follow all instructions in this manual before attempting to operate this machine. Failure to comply with these instructions may result in personal injury.

When you see this symbol. **HEED ITS WARNING!**

CALIFORNIA PROPOSITION 65



WARNING! Engine Exhaust, some of its constituents, and certain vehicle components contain or emit chemicals known to State of California to cause cancer and birth defects or other reproductive harm.



WARNING! Battery posts, terminals, and related accessories contain lead and lead compounds, chemicals known to the State of California to cause cancer and reproductive harm. *Wash hands after handling*



DANGER! This machine was built to be operated according to the safe operation practices in this manual. As with any type of power equipment, carelessness or error on the part of the operator can result in serious injury. This machine is capable of amputating hands and feet and throwing objects. Failure to observe the following safety instructions could result in serious injury or death.

General Operation

1. Read, understand, and follow all instructions on the machine and in the manual(s) before attempting to assemble and operate. Keep this manual in a safe place for future and regular reference and for ordering replacement parts.
2. Be familiar with all controls and their proper operation. Know how to stop the machine and disengage them quickly.
3. Never allow children under 14 years of age to operate this machine. Children 14 and over should read and understand the instructions and safe operation practices in this manual and on the machine and should be trained and supervised by an adult.
4. Never allow adults to operate this machine without proper instruction.
5. To help avoid blade contact or a thrown object injury, keep bystanders, helpers, children and pets at least 75 feet from the machine while it is in operation. Stop machine if anyone enters the area.
6. Thoroughly inspect the area where the equipment is to be used. Remove all stones, sticks, wire, bones, toys, and other foreign objects which could be picked up and thrown by the blade(s). Thrown objects can cause serious personal injury.
7. Plan your mowing pattern to avoid discharge of material toward roads, sidewalks, bystanders and the like. Also, avoid discharging material against a wall or obstruction which may cause discharged material to ricochet back toward the operator.
8. Always wear safety glasses or safety goggles during operation and while performing an adjustment or repair to protect your eyes. Thrown objects which ricochet can cause serious injury to the eyes.
9. Wear sturdy, rough-soled work shoes and close-fitting slacks and shirts. Loose fitting clothes and jewelry can be caught in movable parts. Never operate this machine in bare feet or sandals.
10. Be aware of the mower and attachment discharge direction and do not point it at anyone. Do not operate the mower without the discharge cover or entire grass catcher in its proper place.
11. Do not put hands or feet near rotating parts or under the cutting deck. Contact with the blade(s) can amputate hands and feet.

12. A missing or damaged discharge cover can cause blade contact or thrown object injuries.
13. Stop the blade(s) when crossing gravel drives, walks, or roads and while not cutting grass.
14. Watch for traffic when operating near or crossing roadways. This machine is not intended for use on any public roadway.
15. Do not operate the machine while under the influence of alcohol or drugs.
16. Mow only in daylight or good artificial light.
17. Never carry passengers.
18. Disengage blade(s) before shifting into reverse. Back up slowly. Always look down and behind before and while backing to avoid a back-over accident.
19. Slow down before turning. Operate the machine smoothly. Avoid erratic operation and excessive speed.
20. Disengage blade(s), set parking brake, stop engine and wait until the blade(s) come to a complete stop before removing grass catcher, emptying grass, unclogging chute, removing any grass or debris, or making any adjustments.
21. Never leave a running machine unattended. Always turn off blade(s), place transmission in neutral, set parking brake, stop engine and remove key before dismounting.
22. Use extra care when loading or unloading the machine into a trailer or truck. This machine should not be driven up or down ramp(s), because the machine could tip over, causing serious personal injury. The machine must be pushed manually on ramp(s) to load or unload properly.
23. Muffler and engine become hot and can cause a burn. Do not touch.
24. Check overhead clearances carefully before driving under low hanging tree branches, wires, door openings etc., where the operator may be struck or pulled from the machine, which could result in serious injury.
25. Disengage all attachment clutches, depress the brake pedal completely and shift into neutral before attempting to start engine.
26. Your machine is designed to cut normal residential grass of a height no more than 10". Do not attempt to mow through unusually tall, dry grass (e.g., pasture) or piles of dry leaves. Dry grass or leaves may contact the engine exhaust and/or build up on the mower deck presenting a potential fire hazard.
27. Use only accessories and attachments approved for this machine by the machine manufacturer. Read, understand and follow all instructions provided with the approved accessory or attachment.
28. Data indicates that operators, age 60 years and above, are involved in a large percentage of riding mower-related injuries. These operators should evaluate their ability to operate the riding mower safely enough to protect themselves and others from serious injury.
29. If situations occur which are not covered in this manual, use care and good judgment. Contact your customer service representative for assistance.

Slope Operation

Slopes are a major factor related to loss of control and tip-over accidents which can result in severe injury or death. All slopes require extra caution. If you cannot back up the slope or if you feel uneasy on it, do not mow it.

For your safety, use the slope gauge included as part of this manual to measure slopes before operating this machine on a sloped or hilly area. If the slope is greater than 15 degrees as shown on the slope gauge, do not operate this machine on that area or serious injury could result.

Do:

1. Mow up and down slopes, not across. Exercise extreme caution when changing direction on slopes.
2. Watch for holes, ruts, bumps, rocks, or other hidden objects. Uneven terrain could overturn the machine. Tall grass can hide obstacles.
3. Use slow speed. Choose a low enough speed setting so that you will not have to stop or shift while on the slope. Tires may lose traction on slopes even though the brakes are functioning properly. Always keep machine in gear when going down slopes to take advantage of engine braking action.
4. Follow the manufacturer's recommendations for wheel weights or counterweights to improve stability.
5. Use extra care with grass catchers or other attachments. These can change the stability of the machine.
6. Keep all movement on the slopes slow and gradual. Do not make sudden changes in speed or direction. Rapid engagement or braking could cause the front of the machine to lift and rapidly flip over backwards which could cause serious injury.
7. Avoid starting or stopping on a slope. If tires lose traction, disengage the blade(s) and proceed slowly straight down the slope.

Do Not:

1. Do not turn on slopes unless necessary; then, turn slowly and gradually downhill, if possible.
2. Do not mow near drop-offs, ditches or embankments. The mower could suddenly turn over if a wheel is over the edge of a cliff, ditch, or if an edge caves in.
3. Do not try to stabilize the machine by putting your foot on the ground.
4. Do not use a grass catcher on steep slopes.
5. Do not mow on wet grass. Reduced traction could cause sliding.
6. Do not shift to neutral and coast downhill. Over-speeding may cause the operator to lose control of the machine resulting in serious injury or death.
7. Do not tow heavy pull behind attachments (e.g. loaded dump cart, lawn roller, etc.) on slopes greater than 5 degrees. When going down hill, the extra weight tends to push the tractor and may cause you to lose control (e.g. tractor may speed up, braking and steering ability are reduced, attachment may jack-knife and cause tractor to overturn).

Children

1. Tragic accidents can occur if the operator is not alert to the presence of children. Children are often attracted to the machine and the mowing activity. They do not understand the dangers. Never assume that children will remain where you last saw them.
 - a. Keep children out of the mowing area and in watchful care of a responsible adult other than the operator.
 - b. Be alert and turn machine off if a child enters the area.
 - c. Before and while backing, look behind and down for small children.
 - d. Never carry children, even with the blade(s) shut off. They may fall off and be seriously injured or interfere with safe machine operation.
 - e. Use extreme care when approaching blind corners, doorways, shrubs, trees or other objects that may block your vision of a child who may run into the path of the machine.
 - f. **To avoid back-over accidents, always disengage the cutting blade(s) before shifting into Reverse. If equipped, the “Reverse Caution Mode” should not be used when children or others are around.**
 - g. Keep children away from hot or running engines. They can suffer burns from a hot muffler.
 - h. Remove key when machine is unattended to prevent unauthorized operation.
2. Never allow children under 14 years of age to operate this machine. Children 14 and over should read and understand the instructions and safe operation practices in this manual and on the machine and should be trained and supervised by an adult.

Towing

1. Tow only with a machine that has a hitch designed for towing. Do not attach towed equipment except at the hitch point.
2. Follow the manufacturer's recommendation for weight limits for towed equipment and towing on slopes.
3. Never allow children or others in or on towed equipment.
4. On slopes, the weight of the towed equipment may cause loss of traction and loss of control.
5. Always use extra caution when towing with a machine capable of making tight turns (e.g. “zero-turn” ride-on mower). Make wide turns to avoid jack-knifing.
6. Travel slowly and allow extra distance to stop.
7. Do not shift to neutral and coast downhill.

Service

Safe Handling of Gasoline:

1. To avoid personal injury or property damage use extreme care in handling gasoline. **Gasoline is extremely flammable and the vapors are explosive.** Serious personal injury can occur when gasoline is spilled on yourself or your clothes which can ignite. Wash your skin and change clothes immediately.
 - a. Use only an approved gasoline container.
 - b. Never fill containers inside a vehicle or on a truck or trailer bed with a plastic liner. Always place containers on the ground away from your vehicle before filling.
 - c. When practical, remove gas-powered equipment from the truck or trailer and refuel it on the ground. If this is not possible, then refuel such equipment on a trailer with a portable container, rather than from a gasoline dispenser nozzle.
 - d. Keep the nozzle in contact with the rim of the fuel tank or container opening at all times until fueling is complete. Do not use a nozzle lock-open device.
 - e. Extinguish all cigarettes, cigars, pipes and other sources of ignition.
 - f. Never fuel machine indoors.
 - g. Never remove gas cap or add fuel while the engine is hot or running. Allow engine to cool at least two minutes before refueling.
 - h. Never over fill fuel tank. Fill tank to no more than ½ inch below bottom of filler neck to allow space for fuel expansion.
 - i. Replace gasoline cap and tighten securely.
 - j. If gasoline is spilled, wipe it off the engine and equipment. Move machine to another area. Wait 5 minutes before starting the engine.
 - k. To reduce fire hazards, keep machine free of grass, leaves, or other debris build-up. Clean up oil or fuel spillage and remove any fuel soaked debris.
 - l. Never store the machine or fuel container inside where there is an open flame, spark or pilot light as on a water heater, space heater, furnace, clothes dryer or other gas appliances.
 - m. Allow a machine to cool at least five minutes before storing.

General Service

1. Never run an engine indoors or in a poorly ventilated area. Engine exhaust contains carbon monoxide, an odorless, and deadly gas.
2. Before cleaning, repairing, or inspecting, make certain the blade(s) and all moving parts have stopped. Disconnect the spark plug wire and ground against the engine to prevent unintended starting.

3. Periodically check to make sure the blades come to complete stop within approximately (5) five seconds after operating the blade disengagement control. If the blades do not stop within the this time frame, your machine should be serviced professionally by an authorized MTD Service Dealer.
4. Check brake operation frequently as it is subjected to wear during normal operation. Adjust and service as required.
5. Check the blade(s) and engine mounting bolts at frequent intervals for proper tightness. Also, visually inspect blade(s) for damage (e.g., excessive wear, bent, cracked). Replace the blade(s) with the original equipment manufacturer's (O.E.M.) blade(s) only, listed in this manual. "Use of parts which do not meet the original equipment specifications may lead to improper performance and compromise safety!"
6. Mower blades are sharp. Wrap the blade or wear gloves, and use extra caution when servicing them.
7. Keep all nuts, bolts, and screws tight to be sure the equipment is in safe working condition.
8. Never tamper with the safety interlock system or other safety devices. Check their proper operation regularly.
9. After striking a foreign object, stop the engine, disconnect the spark plug wire(s) and ground against the engine. Thoroughly inspect the machine for any damage. Repair the damage before starting and operating.
10. Never attempt to make adjustments or repairs to the machine while the engine is running.
11. Grass catcher components and the discharge cover are subject to wear and damage which could expose moving parts or allow objects to be thrown. For safety protection, frequently check components and replace immediately with original equipment manufacturer's (O.E.M.) parts only, listed in this manual. "Use of parts which do not meet the original equipment specifications may lead to improper performance and compromise safety!"
12. Do not change the engine governor settings or over-speed the engine. The governor controls the maximum safe operating speed of the engine.
13. Maintain or replace safety and instruction labels, as necessary.
14. Observe proper disposal laws and regulations for gas, oil, etc. to protect the environment.
15. According to the Consumer Products Safety Commission (CPSC) and the U.S. Environmental Protection Agency (EPA), this product has an *Average Useful Life* of seven (7) years, or 270 hours of operation. At the end of the *Average Useful Life* have the machine inspected annually by an authorized service dealer to ensure that all mechanical and safety systems are working properly and not worn excessively. Failure to do so can result in accidents, injuries or death.

Do not modify engine

To avoid serious injury or death, do not modify engine in any way. Tampering with the governor setting can lead to a runaway engine and cause it to operate at unsafe speeds. Never tamper with factory setting of engine governor.

Notice Regarding Emissions

Engines which are certified to comply with California and federal EPA emission regulations for SORE (Small Off Road Equipment) are certified to operate on regular unleaded gasoline, and may include the following emission control systems: Engine Modification (EM), Oxidizing Catalyst (OC), Secondary Air Injection (SAI) and Three Way Catalyst (TWC) if so equipped.

Spark Arrestor



WARNING! This machine is equipped with an internal combustion engine and should not be used on or near any unimproved forest-covered, brushcovered or grass-covered land unless the engine's exhaust system is equipped with a spark arrestor meeting applicable local or state laws (if any).

If a spark arrestor is used, it should be maintained in effective working order by the operator. In the State of California the above is required by law (Section 4442 of the California Public Resources Code). Other states may have similar laws. Federal laws apply on federal lands.

A spark arrestor for the muffler is available through your nearest engine authorized service dealer or contact the service department, P.O. Box 361131 Cleveland, Ohio 44136-0019.






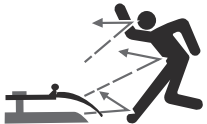




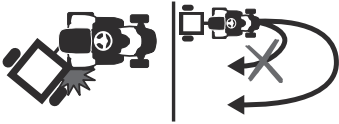


WARNING! Your Responsibility—Restrict the use of this power machine to persons who read, understand and follow the warnings and instructions in this manual and on the machine.

SAVE THESE INSTRUCTIONS!

Safety Symbols

This page depicts and describes safety symbols that may appear on this product. Read, understand, and follow all instructions on the machine before attempting to assemble and operate.

Symbol	Description
	<p>READ THE OPERATOR'S MANUAL(S) Read, understand, and follow all instructions in the manual(s) before attempting to assemble and operate</p>
	<p>DANGER— ROTATING BLADES Never carry passengers. Never carry children, even with the blades off.</p>
	<p>DANGER— ROTATING BLADES Always look down and behind before and while backing to avoid a back-over accident.</p>
	<p>WARNING— ROTATING BLADES Do not put hands or feet near rotating parts or under the cutting deck. Contact with the blade(s) can amputate hands and feet.</p>
	<p>WARNING—THROWN OBJECTS This machine may pick up and throw and objects which can cause serious personal injury.</p>
	<p>WARNING—THROWN OBJECTS This machine may pick up and throw and objects which can cause serious personal injury.</p>
	<p>BYSTANDERS Keep bystanders, helpers, children and pets at least 75 feet from the machine while it is in operation.</p>
	<p>WARNING— SLOPE OPERATION Do not operate this machine on a slope greater than 15 degrees.</p>
	<p>WARNING— HOT SURFACE Engine parts, especially the muffler, become extremely hot during operation. Allow engine and muffler to cool before touching.</p>
	<p>DANGER — ROTATING BLADES To reduce the risk of injury, keep hands and feet away. Do not operate unless discharge cover or grass catcher is in its proper place. If damaged, replace immediately.</p>
	<p>WARNING— TOWING Avoid jack-knifing when towing, go slow and make wide turns.</p>

Slope Gauge

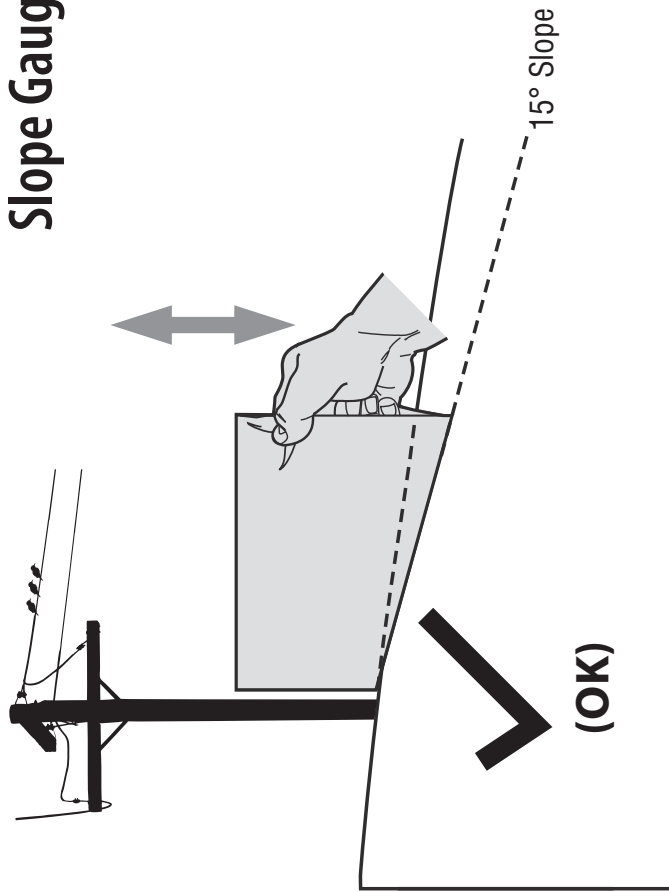


Figure 1

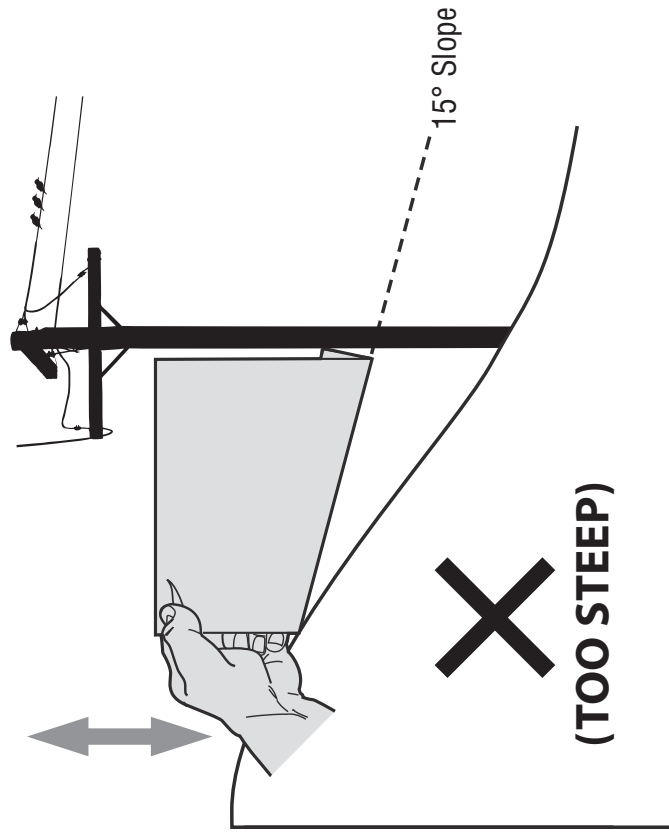
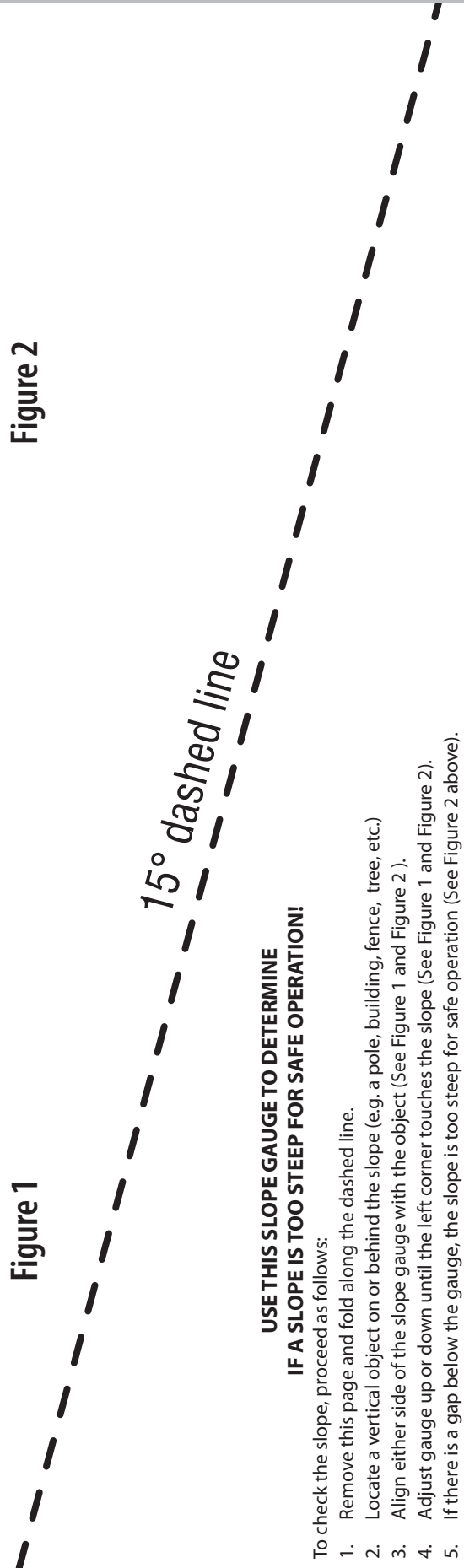


Figure 2



USE THIS SLOPE GAUGE TO DETERMINE

IF A SLOPE IS TOO STEEP FOR SAFE OPERATION!

To check the slope, proceed as follows:

1. Remove this page and fold along the dashed line.
2. Locate a vertical object on or behind the slope (e.g. a pole, building, fence, tree, etc.)
3. Align either side of the slope gauge with the object (See Figure 1 and Figure 2).
4. Adjust gauge up or down until the left corner touches the slope (See Figure 1 and Figure 2).
5. If there is a gap below the gauge, the slope is too steep for safe operation (See Figure 2 above).



WARNING! Slopes are a major factor related to tip-over and roll-over accidents which can result in severe injury or death. Do not operate machine on slopes in excess of 15 degrees. All slopes require extra caution. If you cannot back up the slope or if you feel uneasy on it, do not mow it. Always mow up and down slopes, never across the face of slopes.

Tractor Set-Up

NOTE: This Operators Manual covers a range of product specifications for various models. Characteristics and features discussed and/or illustrated in this manual may not be applicable to all models. MTD LLC reserves the right to change product specifications, designs and equipment without notice and without incurring obligation.

Recommended Tools for Assembly

- 9/16-inch wrench (or adjustable wrench)
- 7/16-inch wrench (or adjustable wrench)
- 3/8-inch wrench (or adjustable wrench)
- 1/2-inch socket wrench

Connecting the Battery Cables



CALIFORNIA PROPOSITION 65 WARNING: Battery posts, terminals, and related accessories contain lead and lead compounds, chemicals known to the State of California to cause cancer and reproductive harm. Wash hands after handling.



CAUTION: When attaching battery cables, always connect the POSITIVE (Red) wire to its terminal first, followed by the NEGATIVE (Black) wire.

For shipping reasons, both battery cables on your equipment may have been left disconnected from the terminals at the factory. To connect the battery cables, proceed as follows:

NOTE: The positive battery terminal is marked Pos. (+). The negative battery terminal is marked Neg. (-).

1. Remove the plastic cover, if present, from the positive battery terminal and attach the red cable to the positive battery terminal (+) with the bolt and hex nut. See Fig. 3-1.

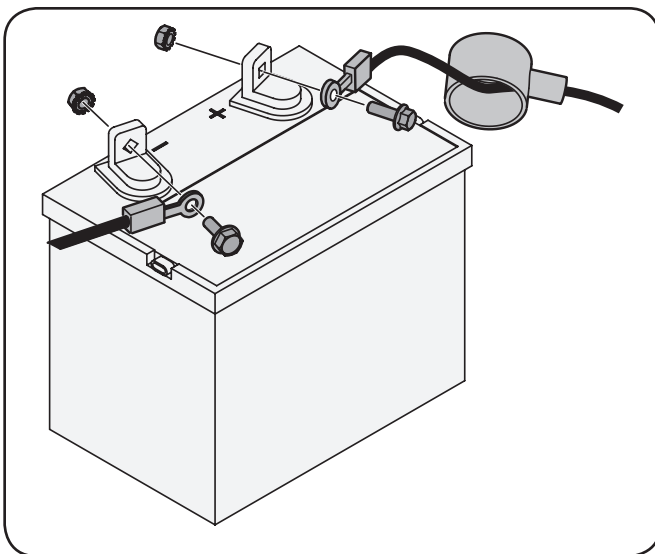


Figure 3-1

2. Remove the plastic cover, if present, from the negative battery terminal and attach the black cable to the negative battery terminal (-) with the bolt and hex nut. See Fig. 3-1.
3. Position the red rubber boot over the positive battery terminal to help protect it from corrosion.

NOTE: If the battery is put into service after the date shown on top/side of battery, charge the battery as instructed in the Maintenance section your Operator's Manual prior to operating the tractor.

Shipping Brace Removal



WARNING! Make sure the riding mower's engine is off, remove the ignition key, and set the parking brake before removing the shipping brace. Refer to the Controls and Features section for instructions on how to set the parking brake.

- Locate the shipping brace, if present, and accompanying warning tag found on the right side of the mower, between the discharge chute and the cutting deck. See Fig. 3-2.

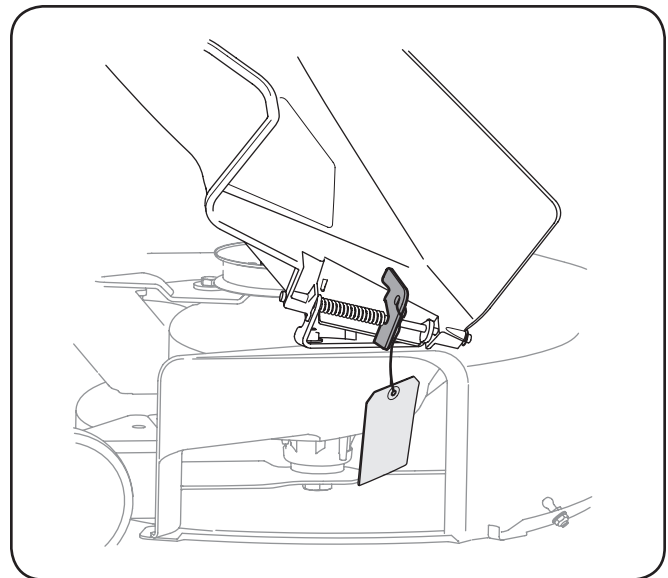


Figure 3-2

- Place the deck lift lever in the highest cutting position. Refer to Setting the Cutting Height in the Operation section of this manual.
- While pushing the discharge chute towards the machine with your left hand, remove the shipping brace with your right hand by grasping it between your thumb and index finger and rotating it clockwise.



WARNING! The shipping brace, used for packaging purposes only, must be removed and discarded before operating your riding mower.



WARNING! The mowing deck is capable of throwing objects. Failure to operate the riding mower without the discharge cover in the proper operating position could result in serious personal injury and/or property damage.

Attaching The Steering Wheel

If the steering wheel for your tractor did not come attached, the hardware for attaching it has been packed within the steering wheel, beneath the steering wheel cap. Carefully pry off the steering wheel cap and remove the hardware.

1. With the wheels of the tractor pointing straight forward, place the steering wheel over the steering shaft.
2. Place the washer (with the cupped side down) over the steering wheel and secure with the hex bolt. See Fig. 3-3.

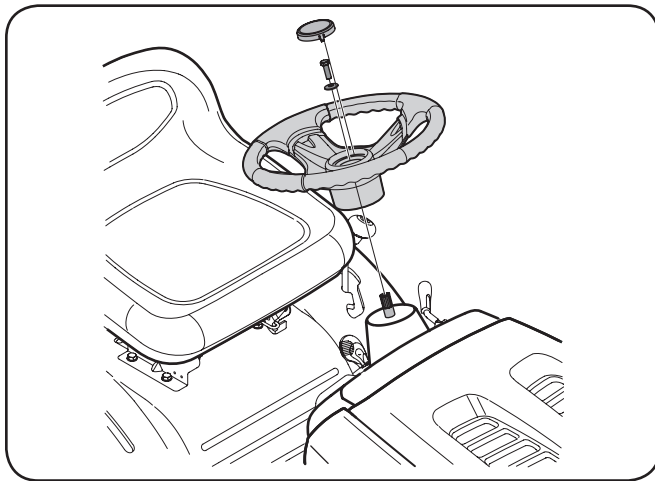


Figure 3-3

3. Place the steering wheel cap over the center of the steering wheel and push downward until it “clicks” into place.

Attaching The Dash Collar

If the tractor’s dash collar did not come attached from the factory, the screws for attaching it can be found in either side of the dash console. Remove the two screws from the console and secure the dash collar as illustrated in Fig 3-4.

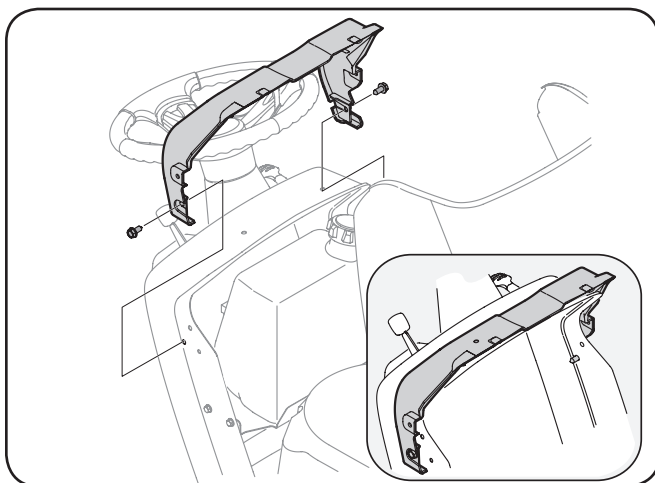


Figure 3-4

Attaching The Seat

If the seat for your tractor was not attached at the factory, follow the applicable instructions below to attach it.

NOTE: For shipping reasons, some seats are not attached at the factory. If this is the case, free the seat from its shipping position and remove the hex screw (or knob screw if applicable) from the bottom of seat before proceeding with the following instructions.

1. Position the seat facing forward over the seat pivot bracket, with the two forward seat mount tabs fitting into the provided grooves in the seat pivot bracket.
2. Slide the seat rearward and align the center mounting hole in the seat with the slot in the seat pan. Insert the hex screw (or knob screw if applicable) previously removed. Do not tighten at this point.
3. Adjust the seat to the optimal operator preferred location, this may mean actually sitting in the seat to decide what feels best to the operator. Keep in mind the operator needs to be able to fully operate all pedals comfortably while sitting back in the seat.
4. Tighten the hex screw (or knob screw if applicable) at this time.
5. To adjust the position of the seat, loosen the hex screw (or knob screw if applicable) on the bottom of the seat. Slide the seat forward or backward as desired. Retighten the hex screw (or knob screw if applicable). See Fig. 3-5.

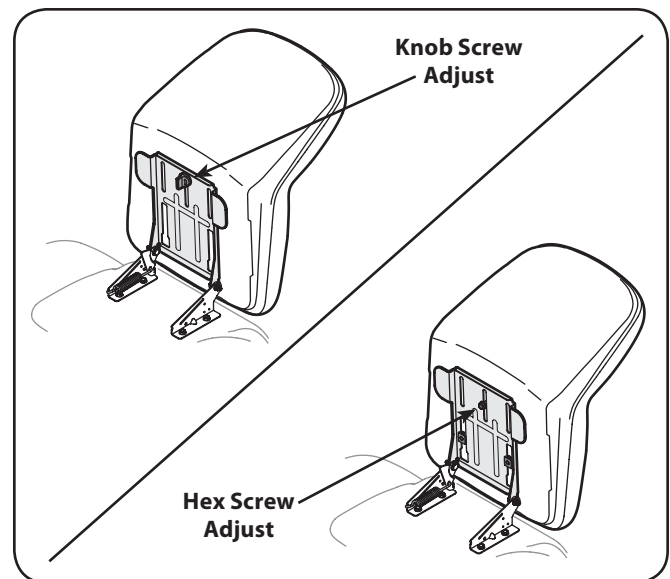


Figure 3-5

Mulch Plug (if equipped)

On tractor models so equipped, a mulch plug can be found within the cutting deck’s discharge opening.

NOTE: Refer to Mulching in the “Operation” section of this manual for more detailed information.

If you’d prefer to operate the cutting deck without mulching, simply remove the mulch plug. On 38” Decks, unthread the plastic wing nut which fastens it to the cutting deck, as show in Fig. 3-6. This will allow the clippings to discharge out of the discharge opening during operation.

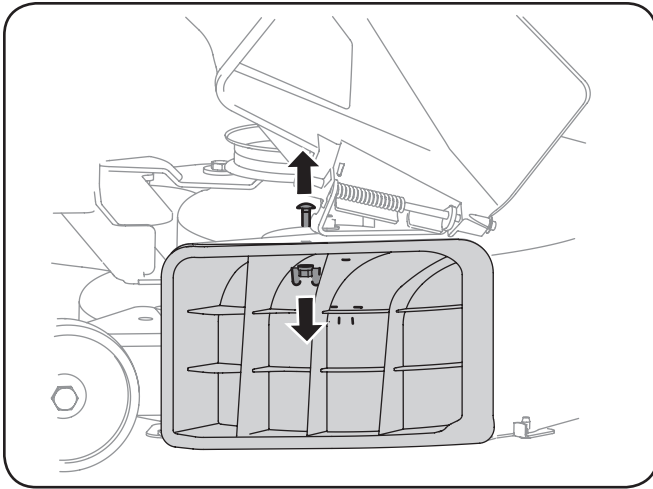


Figure 3-6

Note: See the Attachments & Accessories section if you would like information regarding adding a mulching system for your model of tractor.

Tire Pressure



WARNING! Maximum tire pressure under any circumstances is 30 psi. Equal tire pressure should be maintained at all times. Never exceed the maximum inflation pressure shown on the sidewall of the tire.

The recommended operating tire pressure is:

- Approximately 10 psi for the rear tires
- Approximately 14 psi for the front tires

IMPORTANT: Refer to the tire sidewall for exact tire manufacturer's recommended or maximum psi. Do not overinflate. Uneven tire pressure could cause the cutting deck to mow unevenly.

Gas and Oil Fill-up

The gasoline tank is located under the hood. Do not overfill.



WARNING! Use extreme care when handling gasoline. Gasoline is extremely flammable and the vapors are explosive. Never fuel machine indoors or while the engine is hot or running. Extinguish cigarettes, cigars, pipes, and other sources of ignition.

IMPORTANT: Your tractor is shipped with motor oil in the engine. However, you **MUST** check the oil level before operating. Be careful not to overfill.

Service and check the engine oil as instructed in the separate Engine Operator/Owner Manual packed with your tractor. Read the instructions carefully.

IMPORTANT: It is important to **NOT** top off your fuel tank when filling with fuel. Leave an expansion area available inside the fuel tank to allow for the fuel to expand and for proper ventilation. Otherwise the unit may not run properly. Fill the tank in accordance with Figure 3-7.

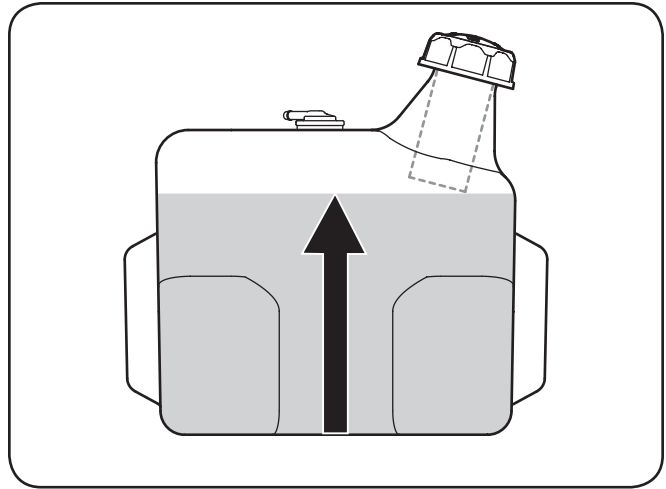


Figure 3-7

Setting the Deck Gauge Wheels (if so equipped)

Move the tractor on a firm and level surface, preferably pavement, and proceed as follows:

1. Select the height position of the cutting deck by placing the deck lift lever in the normally desired mowing height setting (*any of the six different cutting height notches on the right fender*).
2. Check gauge wheels for contact or excessive clearance with the surface below. The deck gauge wheels should have between ¼ and ½-inch clearance above the ground as follows:

If the gauge wheels have excessive clearance or contact with the surface, adjust as follows:

- a. Raise the deck lift handle to its highest setting.
- b. Remove the gauge wheels by removing the lock nuts and shoulder screws which secure them to the deck.
- c. Place the deck lift lever in the desired mowing height setting.
- d. Reinsert the shoulder screw (with each gauge wheel) into the index hole that leaves approximately ½-inch between the bottom of the wheel and the pavement. Secure with the flange lock nut previously removed. See Fig. 3-8.

Refer to **Leveling the Deck** in the Maintenance section of this manual for more detailed instructions regarding various deck adjustments.

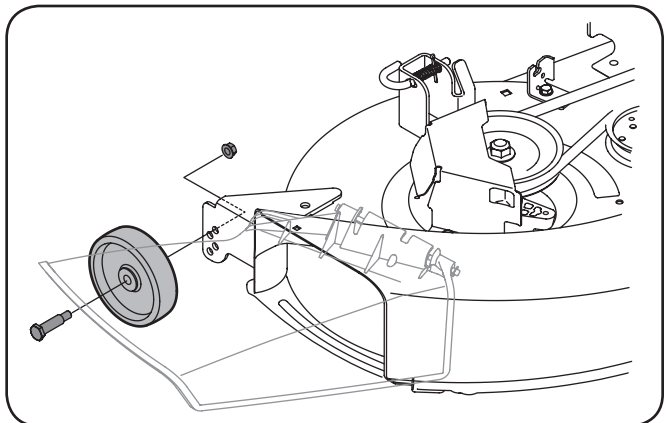


Figure 3-8

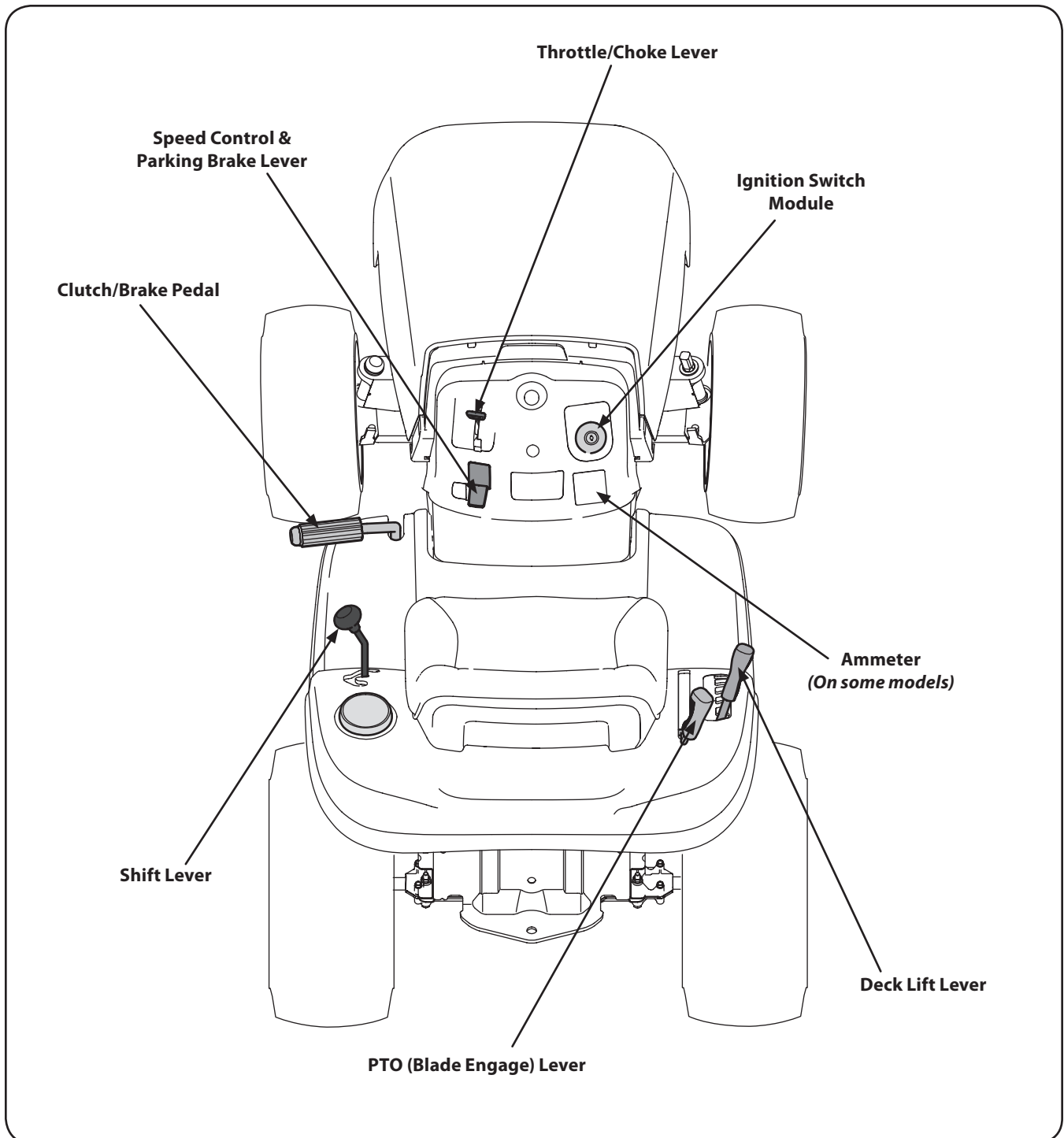


Figure 4-1

Lawn Tractor controls and features are illustrated in Fig 4-1 and described on the following pages.



WARNING! Read and follow all safety rules and instructions in this manual, including the entire Operation section, before attempting to operate this machine. Failure to comply with all safety rules and instructions may result in personal injury.

Throttle Control Lever

The throttle control lever is located on the right side of the tractor's dash panel. This lever controls the speed of the engine and, on some models, when pushed all the way forward, the choke control also. When set in a given position, the throttle will maintain a uniform engine speed. See Fig. 4-2.

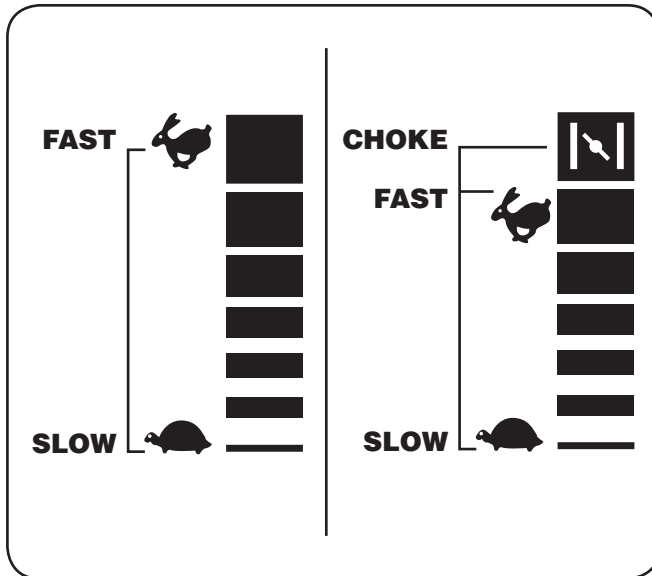
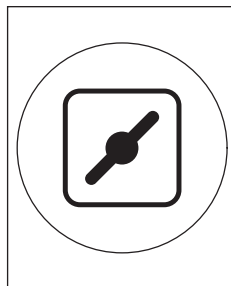


Figure 4-2

IMPORTANT: When operating the tractor with the cutting deck engaged, be certain that the throttle lever is always in the FAST (rabbit) position.

Choke Control

On some models, moving the throttle lever all the way forward activates the engine's choke control. On all other models, the choke control can be found on the left side of the dash panel and is activated by pulling the knob outward. Activating the choke control closes the choke plate on the carburetor and aids in starting the engine. Refer to Starting The Engine in the Operation section of this manual for detailed starting instructions.



Ignition Switch

Your new lawn tractor will have one of the following ignition switches. Use Fig. 4-3 to identify which switch your machine utilizes and follow these instructions for proper operation.

3-Position Ignition Switch

The ignition switch is activated to start the engine. Insert key into the ignition switch and turn clockwise to the START position. Release the key into the ON position once engine has fired. See Fig. 4-3A. The engine will run with the headlights on.

To stop the engine, turn the ignition key counterclockwise to the OFF position. See Fig. 4-3A.

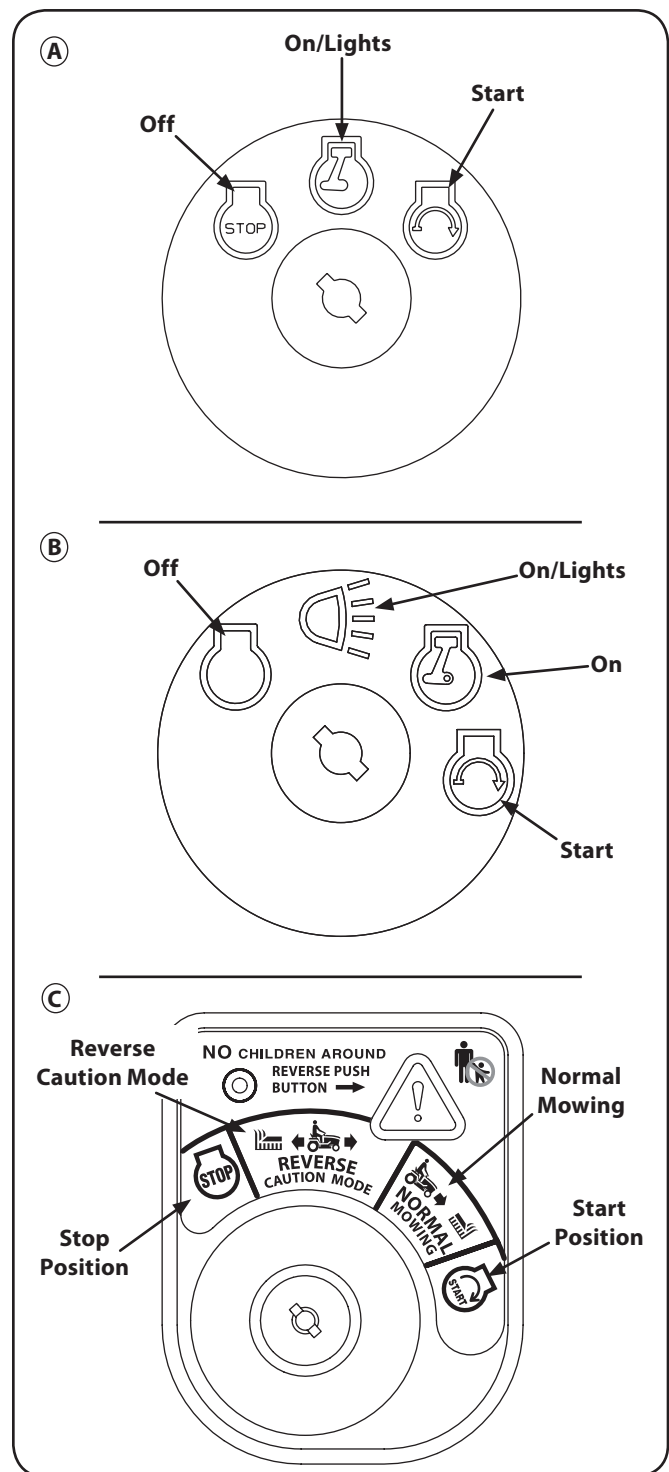


Figure 4-3

4-Position Ignition Switch

The ignition switch is activated to start the engine. Insert key into the ignition switch and turn clockwise to the START position. Release the key into the ON position once engine has fired. See Fig. 4-3B. The engine will run with the headlights off in this position. To activate the headlights, turn the key one more position to the left. The engine will continue to run with the headlights on.

To stop the engine, turn the ignition key counterclockwise to the OFF position. See Fig. 4-3B.

Ignition Switch Module

To start the engine, insert the key into the ignition switch and turn clockwise to the START position. Release the key into the NORMAL MOWING MODE position once the engine has fired. The headlights will be activated in the Normal (and Reverse Caution Modes).

To stop the engine, turn the ignition key counterclockwise to the OFF position. See Fig. 4-3C.



WARNING! Never leave a running machine unattended. Always disengage PTO, move shift lever into neutral position, set parking brake, stop engine and remove key to prevent unintended starting.

IMPORTANT: Prior to operating the tractor, refer to both Safety Interlock Switches and Starting The Engine in the Operation section of this manual for detailed instructions regarding the Ignition Switch Module and operating the tractor in REVERSE CAUTION MODE.

Clutch-Brake Pedal

The clutch-brake pedal is located on the left side of the lawn tractor, along the running board. Depress the clutch-brake pedal part way down when slowing the tractor by changing speeds (*Refer to Speed Control Lever*). Depress the pedal all the way down to engage the disc brake and bring the tractor to a complete stop.

NOTE: The pedal must be depressed to start the engine. Refer to Safety Interlock Switches in the Operation section of this manual.

Parking Brake

To set the parking brake, fully depress the clutch-brake pedal. Move the speed control lever all the way down and into the parking brake position. Release the clutch-brake pedal to allow the parking brake to engage.

To release the parking brake, depress the clutch-brake pedal and move the speed control lever out of the notches to the desired position. Release the speed control lever and the clutch-brake pedal.

NOTE: The parking brake must be set if the operator leaves the seat with the engine running or the engine will automatically shut off.

Shift Lever

The shift lever is located on the left side of the fender and has three positions, FORWARD, NEUTRAL and REVERSE. The brake pedal must be depressed and the tractor **must not be in motion** when the moving shift lever. See Fig. 4-4.

IMPORTANT: Never force the shift lever. Doing so may result in serious damage to the tractor's transmission.

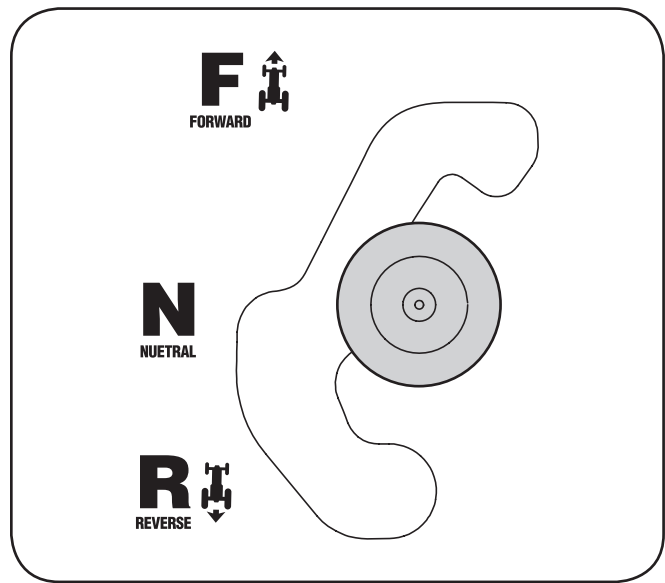


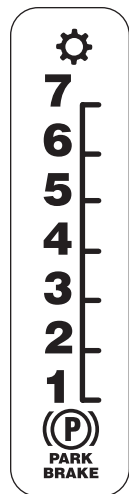
Figure 4-4

Speed Control Lever

The speed control lever, located on the left side of the tractor's dash console, allows you to regulate the ground speed of the lawn tractor. To use, depress the clutch-brake pedal and move the lever out of the parking brake notch and forward to increase the tractor's ground speed. When a desired speed has been reached, release the lever into an appropriate notch to maintain that speed.

To slow the tractor's ground speed, depress the clutch-brake pedal and move the speed control lever rearward and release it into a notch.

NOTE: Lawn tractors vary by model and are available with either a 6- or 7-speed control lever.



PTO (Blade Engage) Lever

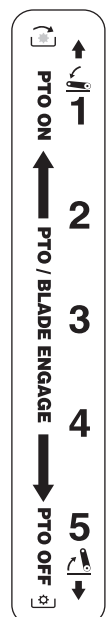
Found on the tractor's right fender, the PTO (*blade engage*) lever is used to engage power to the cutting deck or other (*separately available*) attachments.

To operate, move the lever all the way forward. Moving the lever all the way rearward into the PTO OFF position disengages power to the cutting deck/attachment.

NOTE: The PTO (*blade engage*) lever must be in the disengaged (PTO OFF) position when starting the engine.

Deck Lift Lever

Found on your tractor's right fender, the deck lift lever is used to change the height of the cutting deck. To use, move the lever to the left, then place in the notch best suited for your application.



! WARNING

TO AVOID SERIOUS INJURY OR DEATH

- **GO UP AND DOWN SLOPES, NOT ACROSS.**
- **AVOID SUDDEN TURNS.**
- **DO NOT OPERATE THE UNIT WHERE IT COULD SLIP OR TIP.**
- **IF MACHINE STOPS GOING UPHILL, STOP BLADE(S) AND BACK DOWNHILL SLOWLY.**
- **KEEP SAFETY DEVICES (GUARDS, SHIELDS, AND SWITCHES, ETC.) IN PLACE AND WORKING.**
- **REMOVE OBJECTS THAT COULD BE THROWN BY THE BLADE(S).**
- **KNOW LOCATION AND FUNCTION OF ALL CONTROLS.**
- **BE SURE BLADE(S) AND ENGINE ARE STOPPED BEFORE PLACING HANDS OR FEET NEAR BLADE(S).**
- **BEFORE LEAVING OPERATOR'S POSITION, DISENGAGE BLADE(S), ENGAGE PARKING BRAKE, SHUT OFF AND REMOVE KEY.**

READ OPERATOR'S MANUAL

Safety Interlock Switches

This tractor is equipped with a safety interlock system for the protection of the operator. If the interlock system should ever malfunction, do not operate the tractor. Contact an authorized MTD service dealer.

- The safety interlock system prevents the engine from cranking or starting unless the parking brake is engaged, and the PTO (*Blade Engage*) lever is in the disengaged (OFF) position.
- The engine will automatically shut off if the operator leaves the seat before engaging the parking brake.
- The engine will automatically shut off if the operator leaves the tractor's seat with the PTO (*Blade Engage*) lever in the engaged (ON) position, regardless of whether the parking brake is engaged.

Models without Reverse Caution Mode

- The engine will automatically shut off if the PTO (*Blade Engage*) lever is moved into the engaged (ON) position with the shift lever in Reverse.

Models with Reverse Caution Mode

- With the ignition key in the NORMAL MOWING position, the engine will automatically shut off if the PTO (*Blade Engage*) lever is moved into the engaged (ON) position with the shift lever in Reverse.



WARNING! Do not operate the tractor if the interlock system is malfunctioning. This system was designed for your safety and protection.

Reverse Caution Mode

(Models equipped with ignition switch module)



WARNING! Use extreme caution while operating the tractor in the REVERSE CAUTION MODE. Always look down and behind before and while backing. Do not operate the tractor when children or others are around. Stop the tractor immediately if someone enters the area.

The **REVERSE CAUTION MODE** position of the key switch module allows the tractor to maneuver in reverse with the blades (PTO) engaged.

IMPORTANT: Mowing in reverse is not recommended.

To use the REVERSE CAUTION MODE:

IMPORTANT: The operator **MUST** be seated in the tractor seat.

1. Start the engine as instructed in the Operation section of this manual.
2. Turn the key from the NORMAL MOWING (*Green*) position to the REVERSE CAUTION MODE (*Yellow*) position of the key switch module. See Fig. 5-1.
3. Depress the REVERSE PUSH BUTTON (*Orange, Triangular Button*) at the top, right corner of the key switch module. The red indicator light at the top, left corner of the key switch module will be ON while activated. See Fig. 5-1.

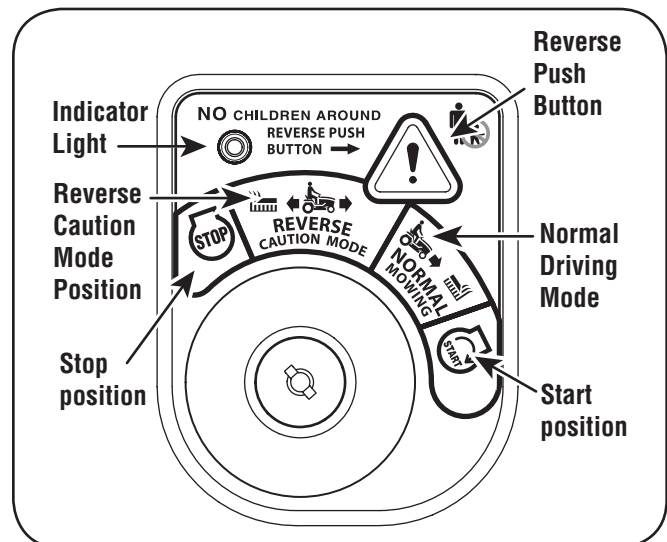


Figure 5-1

4. Once activated (*indicator light ON*), the tractor can be driven in reverse with the cutting blades (*PTO*) engaged.
5. Always look down and behind before and while backing to make sure no children are around.
6. After resuming forward motion, return the key to the NORMAL MOWING position.

IMPORTANT: The REVERSE CAUTION MODE will remain activated until:

- a. The key is placed in either the NORMAL MOWING position or STOP position.
- b. The operator engages the parking brake by fully depressing the clutch-brake pedal and holding it down while moving the speed control lever into the PARK BRAKE position.

Engaging the Parking Brake

To engage the parking brake:

1. Fully depress the clutch-brake pedal and hold it down with your foot.
2. Move the speed control lever all the way down and into the parking brake position.
3. Release the clutch-brake pedal to allow the parking brake to engage.

To release the parking brake:

1. Depress the clutch-brake pedal and move the speed control lever out of the parking brake position and into a desired speed.

Setting the Cutting Height

1. Select the height position of the cutting deck by placing the deck lift lever in any of the six different cutting height notches on the right side of the fender.
2. Adjust the deck wheels as instructed in the Assembly & Set-Up section earlier in this manual, if equipped, so that they are between ¼-inch and ½-inch above the ground when the tractor is on a smooth, flat surface such as a driveway.



WARNING! Keep hands and feet away from the discharge opening of the cutting deck.

NOTE: On models so equipped, the deck wheels are an anti-scalp feature of the deck and are not designed to support the weight of the cutting deck. Refer to Leveling in the Maintenance section of this manual for more detailed instructions regarding various deck adjustments.

Starting the Engine



WARNING! Do not operate the tractor if the interlock system is malfunctioning. This system was designed for your safety and protection.

NOTE: Refer to the Gasoline and Oil fill-up instructions in the separate Engine Operator's manual included with this tractor.

1. Insert the tractor key into the ignition switch.
2. Place the PTO (*Blade Engage*) lever in the disengaged (OFF) position.
3. Engage the tractor's parking brake.
4. Activate the choke control.
5. Turn the ignition key clockwise to the START position. After the engine starts, release the key. It will return to the ON (*or Normal Mowing*) position.



CAUTION: Do NOT hold the key in the START position for longer than ten seconds at a time. Doing so may cause damage to your engine's electric starter.

6. After the engine starts, deactivate the choke control and place the throttle control in the FAST position.

NOTE: Do NOT leave the choke control on while operating the tractor. Doing so will result in a "rich" fuel mixture and cause the engine to run poorly.

Stopping the Engine



WARNING! If you strike a foreign object, stop the engine, disconnect the spark plug wire(s) and ground against the engine. Thoroughly inspect the machine for any damage. Repair the damage before restarting and operating

1. If the blades are engaged, place the PTO (*Blade Engage*) lever in the disengaged (OFF) position.
2. Turn the ignition key counterclockwise to the STOP position.
3. Remove the key from the ignition switch to prevent unintended starting.

Driving The Tractor



WARNING! Avoid sudden starts, excessive speed and sudden stops.

WARNING! Do not leave the seat of the tractor without first placing the PTO (*Blade Engage*) lever in the disengaged (OFF) position, depressing the brake pedal and engaging the parking brake. If leaving the tractor unattended, also turn the ignition key off and remove the key.

WARNING! Always look down and behind before and while backing up to avoid a back-over accident.

1. Depress the brake pedal to release the parking brake and let the pedal up.
2. Move the throttle lever into the FAST (rabbit) position.
3. Place the shift lever in either the FORWARD or REVERSE position.

IMPORTANT: Do NOT use the shift lever to change the direction of travel when the tractor is in motion. Always use the brake pedal to bring the tractor to a complete stop before shifting.

4. Release the parking brake by depressing the clutch-brake pedal and positioning the speed control lever in desired position.

IMPORTANT: First-time operators should use speed positions 1 or 2. Become completely familiar with the tractor's operation and controls before operating the tractor in higher speed positions.

5. Release clutch-brake pedal slowly to put unit into motion.
6. The lawn tractor is brought to a stop by depressing the clutch-brake pedal.

NOTE: When operating the unit initially, there will be little difference between the highest two speeds until after the belts have seated themselves into the pulleys during the break-in period.



WARNING! Before leaving the operator's position for any reason, disengage the blades, place the shift lever in neutral, engage the parking brake, shut engine off and remove the key.

IMPORTANT: When stopping the tractor for any reason while on a grass surface, always:

1. Place the shift lever in neutral,
2. Engage the parking brake,
3. Shut engine off and remove the key. Doing so will minimize the possibility of having your lawn "browned" by hot exhaust from your tractor's running engine.

If unit stalls with speed control in high speed, or if unit will not operate with speed control lever in a low speed position, proceed as follows:

1. Place shift lever in NEUTRAL.
2. Restart engine.
3. Place speed control lever in highest speed position.
4. Release clutch-brake pedal fully.
5. Depress clutch-brake pedal.

6. Place speed control lever in desired position.
7. Place shift lever in either FORWARD or REVERSE, and follow normal operating procedures.

Driving On Slopes

Refer to the SLOPE GAUGE in the Important Safe Operation Practices section of the manual to help determine slopes where you may operate the tractor safely.



WARNING! Do not mow on inclines with a slope in excess of 15 degrees (*a rise of approximately 2-1/2 feet every 10 feet*). The tractor could overturn and cause serious injury.

- Mow up and down slopes, NEVER across.
- Exercise extreme caution when changing direction on slopes.
- Watch for holes, ruts, bumps, rocks, or other hidden objects. Uneven terrain could overturn the machine. Tall grass can hide obstacles.
- Avoid turns when driving on a slope. If a turn must be made, turn down the slope. Turning up a slope greatly increases the chance of a roll over.
- Avoid stopping when driving up a slope. If it is necessary to stop while driving up a slope, start up smoothly and carefully to reduce the possibility of flipping the tractor over backward.

Engaging the Blades

Engaging the PTO (*Blade Engage*) transfers power to the cutting deck or other (*separately available*) attachments. To engage the blades, proceed as follows:

1. Move the throttle control lever to the FAST (rabbit) position.
2. Grasp the PTO (*Blade Engage*) lever and pivot it all the way forward into the engaged (ON) position.
3. Keep the throttle lever in the FAST (rabbit) position for the most efficient use of the cutting deck or other (*separately available*) attachments.

Models with Reverse Caution Mode:

The engine will automatically shut off if the PTO is engaged with the shift lever in position for reverse travel with the ignition key in the NORMAL MOWING position.

Models without Reverse Caution Mode:

The PTO (*Blade Engage*) lever must be in the disengaged (OFF) position when starting the engine, when traveling in reverse, and if the operator leaves the seat. Refer to Safety Interlock Switches in the Operation section of this manual.

Using the Deck Lift Lever

To raise the cutting deck, move the deck lift lever to the left, then place it in the notch best suited for your application. Refer to Setting The Cutting Height earlier in this section.

Mowing



WARNING! To help avoid blade contact or a thrown object injury, keep bystanders, helpers, children and pets at least 75 feet from the machine while it is in operation. Stop machine if anyone enters the area.

The following information will be helpful when using the cutting deck with your tractor:



WARNING! Plan your mowing pattern to avoid discharge of materials toward roads, sidewalks, bystanders and the like. Also, avoid discharging material against a wall or obstruction which may cause discharged material to ricochet back toward the operator.

- Do not mow at high ground speed, especially if a mulch kit or grass collector is installed.
- For best results it is recommended that the first two laps be cut with the discharge thrown towards the center. After the first two laps, reverse the direction to throw the discharge to the outside for the balance of cutting. This will give a better appearance to the lawn.
- Do not cut the grass too short. Short grass invites weed growth and yellows quickly in dry weather.
- Mowing should always be done with the engine at full throttle.
- Under heavier conditions it may be necessary to go back over the cut area a second time to get a clean cut.
- Do NOT attempt to mow heavy brush and weeds and extremely tall grass. Your tractor is designed to mow lawns, NOT clear brush.
- Keep the blades sharp and replace the blades when worn. Refer to Cutting Blades in the Service section of this manual for proper blade sharpening instructions.

Mulching

Select models come equipped with a mulch kit which incorporates special blades, already standard on the tractor, in a process of recirculating grass clippings repeatedly beneath the cutting deck. The ultra-fine clippings are then forced back into the lawn where they act as a natural fertilizer.

Observe the following points for the best results when mulching:

- Never attempt to mulch if the lawn is damp. Wet grass tends to stick to the underside of the cutting deck preventing proper mulching of the clippings.
- Do NOT attempt to mulch more than 1/3 the total height of the grass or approximately 1-1/2 inches. Doing so will cause the clippings to clump up beneath the deck and not be mulched effectively.
- Maintain a slow ground speed to allow the grass clippings more time to effectively be mulched.
- Always position the throttle control lever in the FAST (rabbit) position and allow it to remain there while mowing. Failing to keep the engine at full throttle places strain on the tractor's engine and does not allow the blades to properly mulch grass. Ground speed should be controlled using the speed control lever.

NOTE: It is not necessary to remove the discharge chute to operate the mower with the mulch kit installed.



WARNING! Never operate the mower without the discharge chute properly attached.

To operate the cutting deck without mulching, simply remove the mulch plug. On 38" deck, unthread the plastic wing nut which fastens it to the cutting deck, as shown in Fig. 5-2. This will allow the clippings to discharge out the side.

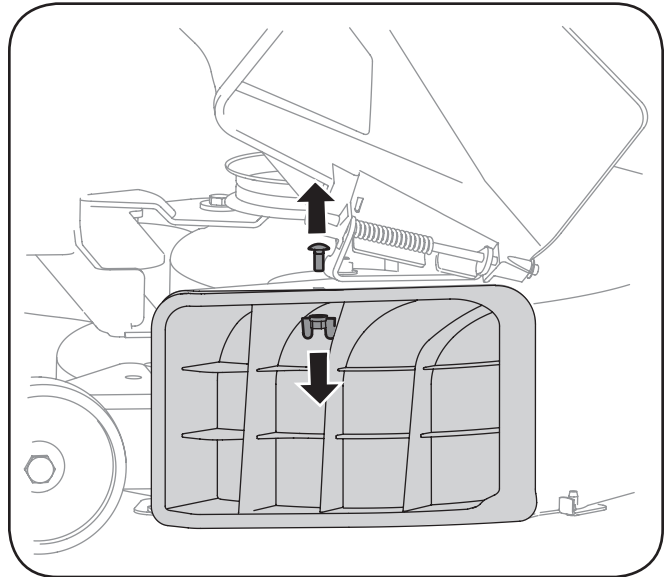


Figure 5-2

Note: If your rider is not equipped with a mulch kit, one can be purchased. See the Attachments & Accessories section of this manual for more information.

Headlights

- On some models, the lamps are ON whenever the tractor's engine is running. On other models, the lamps are ON whenever the ignition key is moved into the lights position, with the engine running.
- On all models, the lamps turn OFF when the ignition key is moved to the STOP position.

Maintenance



WARNING! Before performing any maintenance or repairs, disengage PTO, move shift lever into neutral position, set parking brake, stop engine and remove key to prevent unintended starting.

Engine

Refer to the Engine Operator/Owner Manual for engine maintenance instructions.

Check engine oil level before each use as instructed in the Engine Operator/Owner Manual packed with your unit. Follow the instructions carefully.

Changing Engine Oil

For draining oil from the engine's crankcase of select model tractors, a plastic oil drain sleeve is packed with this Operator's Manual. To drain the oil, proceed as follows:

1. Unscrew the oil fill cap and remove the dipstick from the oil fill tube.
2. Snap the small end of oil drain sleeve onto the oil sump. See Fig. 6-1.

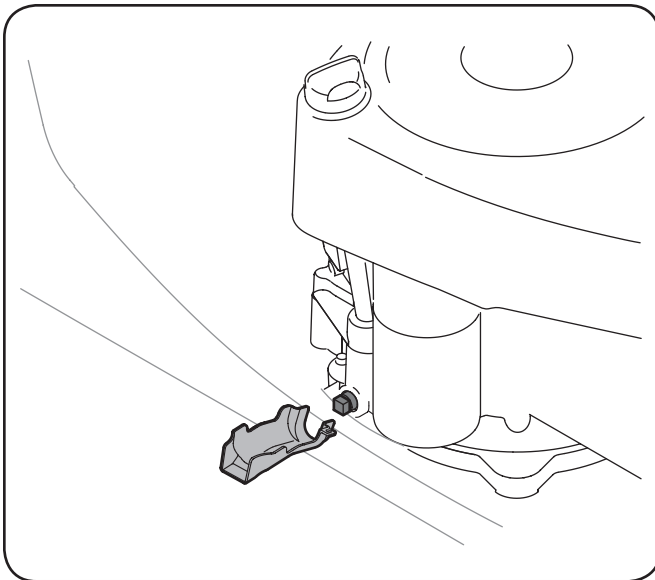


Figure 6-1

3. Remove drain plug and drain oil into a suitable container with a capacity of no less than 64 oz.
4. Service oil filter (if so equipped) as instructed in the separate Engine Operator/Owner Manual packed with your unit.

Perform the above steps in the opposite order after oil has finished draining.

5. Refill the engine with new motor oil as instructed in the Engine Operator/Owner Manual packed with your machine.

NOTE: Refer to the Engine Operator/Owner Manual packed with your unit for information regarding the quantity and proper viscosity of motor oil.

Air Cleaner

Service the pre-cleaner, if so equipped, and cartridge/air cleaner element as instructed in the Engine Operator/Owner Manual packed with your unit.

Spark Plug

The spark plug should be cleaned and the gap reset once a season. Spark plug replacement is recommended at the start of each mowing season. Refer to the Engine Operator/Owner Manual for correct plug type and gap specifications.

Lubrication



WARNING! Before lubricating, repairing, or inspecting, always disengage PTO, move shift lever into neutral position, set parking brake, stop engine and remove key to prevent unintended starting.

Engine

Lubricate the engine with motor oil as instructed in the Engine Owner Manual packed with your unit.

Pivot Points & Linkage

Lubricate all the pivot points on the drive system, parking brake and lift linkage at least once a season with light oil.

Rear Wheels

The rear wheels should be removed from the axles once a season. Lubricate the axles and the rims well with an all-purpose grease before re-installing them.

Front Axles

Each end of the tractor's front pivot bar may be equipped with a grease fitting. Lubricate with a grease gun after every 25 hours of tractor operation.

Battery

The battery is sealed and is maintenance-free. Acid levels cannot be checked.

- Always keep the battery cables and terminals clean and free of corrosive build-up.
- After cleaning the battery and terminals, apply a light coat of petroleum jelly or grease to both terminals.
- Always keep the rubber boot positioned over the positive terminal to prevent shorting.

IMPORTANT: If removing the battery for any reason, disconnect the NEGATIVE (Black) wire from its terminal first, followed by the POSITIVE (Red) wire. When re-installing the battery, always connect the POSITIVE (Red) wire its terminal first, followed by the NEGATIVE (Black) wire. Be certain that the wires are connected to the correct terminals; reversing them could change the polarity and result in damage to your engine's alternating system.

Cleaning Battery

Clean the battery by removing it from the tractor and washing with a baking soda and water solution. If necessary, scrape the battery terminals with a wire brush to remove deposits. Coat terminals and exposed wiring with grease or petroleum jelly to prevent corrosion.

Battery Failures

Some common causes for battery failure are:

- Incorrect initial activation
- Overcharging
- Freezing
- Undercharging
- Corroded connections

These failures are NOT covered by your tractor's warranty.

Cleaning the Engine And Deck

Any fuel or oil spilled on the machine should be wiped off promptly. Do NOT allow debris to accumulate around the cooling fins of the engine or on any other part of the machine.

IMPORTANT: The use of a pressure washer to clean your tractor is NOT recommended. It may cause damage to electrical components, spindles, pulleys, bearings or the engine.

On some decks, a hex plug can be found on your tractor's deck surface as seen in Fig. 6-2. Or on some units there could be a 1/4" screw holding in a plug. On either configuration, this plug can be replaced with a water port to be used as part of a separately-available deck wash system.

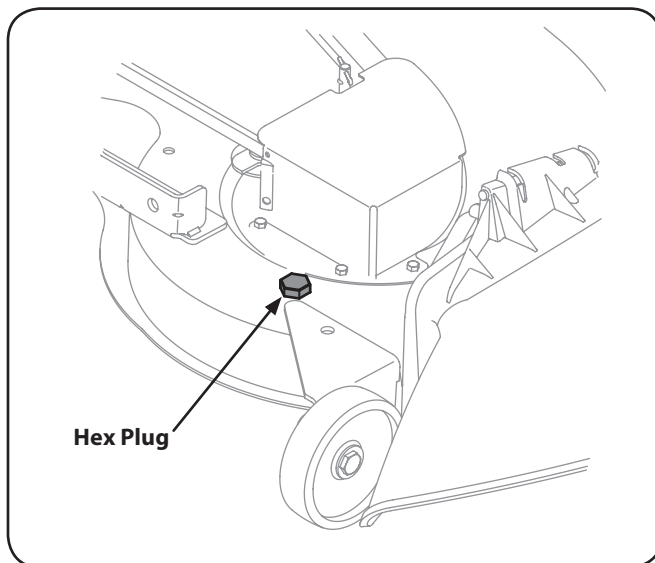


Figure 6-2

The Deck Wash System™ is used to rinse grass clippings from the deck's underside and prevent the buildup of corrosive chemicals.

NOTE: Refer to the Attachments & Accessories section of this manual for information regarding this and other separately-available attachments & accessories for your tractor.

Deck Wash System™

If your tractor's deck is equipped with a water port on its surface as part of its Deck Wash System™, follow these instructions to utilize this feature.

Use the Deck Wash System™ to rinse grass clippings from the deck's underside and prevent the buildup of corrosive chemicals. Complete the following steps AFTER EACH MOWING:

1. Drive the tractor to a level, clear spot on your lawn, near enough for your garden hose to reach.



CAUTION: Make certain the tractor's discharge chute is directed AWAY from your house, garage, parked cars, etc.

2. Disengage the PTO (*Blade Engage*), set the parking brake and stop the engine.
3. Thread the hose coupler (*packaged with your tractor's Operator's Manual*) onto the end of your garden hose.
4. Attach the hose coupler to the water port on the deck's surface. See Fig. 6-3.

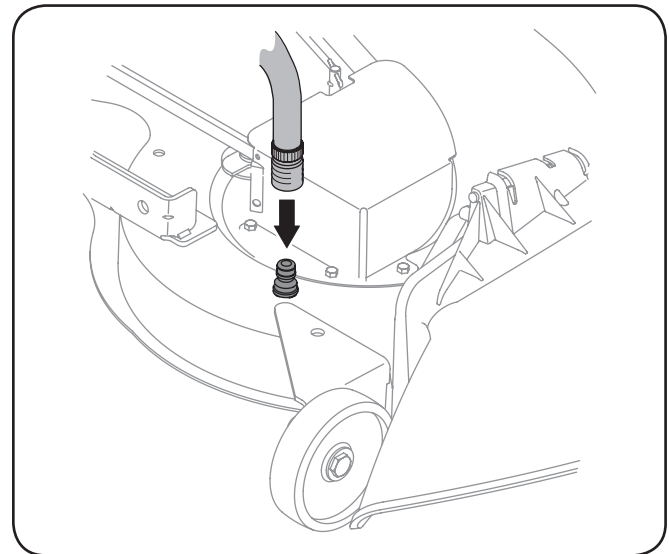


Figure 6-3

5. Turn the water on.
6. While sitting in the operator's position on the tractor, start the engine and place the throttle lever in the FAST (rabbit) position.
7. Move the tractor's PTO (*Blade Engage*) into the ON position.
8. Remain in the operator's position with the cutting deck engaged for a minimum of two minutes, allowing the underside of the cutting deck to thoroughly rinse.
9. Move the tractor's PTO (*Blade Engage*) into the OFF position.
10. Turn the ignition key to the STOP position to turn the tractor's engine off.
11. Turn the water off and detach the hose coupler from the water port on your deck's surface.
12. On 46" decks, repeat steps 4 through 11 on the opposite side of the cutting deck.

IMPORTANT: After cleaning your deck with the Deck Wash System™, return to the operator's position and engage the PTO. Keep the cutting deck running for a minimum of two minutes, allowing the underside of the cutting deck to thoroughly dry.

Adjustments



WARNING! Never attempt to make any adjustments while the engine is running, except where specified in the operator's manual.

Leveling the Deck

NOTE: Check the tractor's tire pressure before performing any deck leveling adjustments. Refer to Tires in the Service section of this manual for more information regarding tire pressure.

Front To Rear

The front of the cutting deck is supported by a stabilizer bar that can be adjusted to level the deck from front to rear. The front of the deck should be between ¼-inch and ⅜-inch lower than the rear of the deck. Adjust if necessary as follows:

1. With the tractor parked on a firm, level surface, place the lever for lifting the platform on the second to the top notch (second highest position) and rotate the blade as close to the discharge channel that is parallel to the tractor.
2. Measure the distance from the front of the blade tip to the ground and the rear of the blade tip to the ground. The first measurement taken should be between ¼" and ⅜" less than the second measurement. Determine the approximate distance necessary for proper adjustment and proceed, if necessary, to the next step.
3. **On some models:** Locate the jam nut and lock nut on the front side of the stabilizer bracket. Others have just a flange nut as seen in Fig. 6-4.

After loosening the jam nut (on some models):

Tighten the lock nut to raise the front of the deck;
Loosen the lock nut to lower the front of the deck.

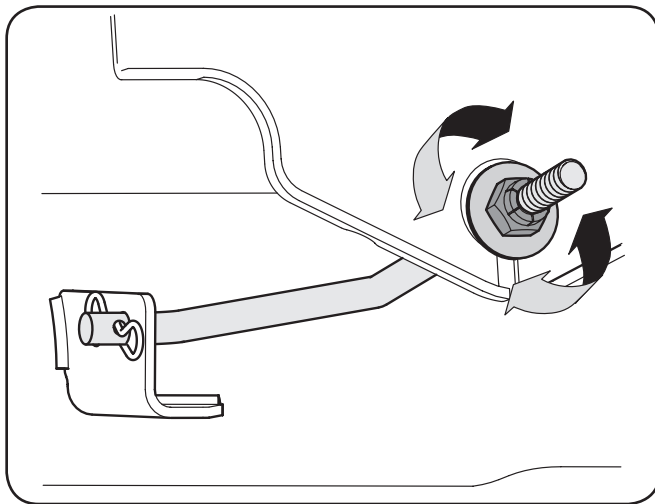


Figure 6-4

4. Retighten the jam nut loosened earlier when proper adjustment is achieved.

Side to Side

If the cutting deck appears to be mowing unevenly, a side to side adjustment can be performed. Adjust if necessary as follows:

1. With the tractor parked on a firm, level surface, place the deck lift lever in the second from the top notch (*second highest position*) and rotate both blades so that they are perpendicular with the tractor.
2. Measure the distance from the outside of the left blade tip to the ground and the distance from the outside of the right blade tip to the ground. Both measurements taken should be equal. If they're not, proceed to the next step.
3. Loosen, but do NOT remove, the hex cap screw on the left deck hanger bracket. See Fig. 6-5.

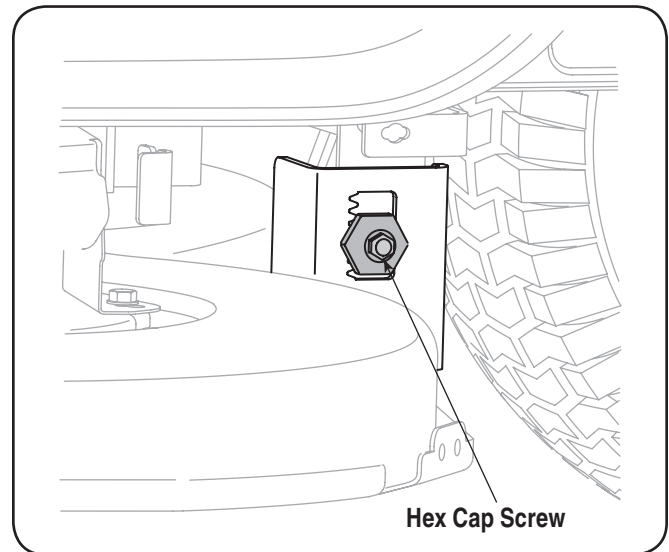


Figure 6-5

4. Balance the deck by using a wrench to turn the adjustment gear (*found immediately behind the hex cap screw just loosened*) clockwise/up or counterclockwise/down. The deck is properly balanced when both blade tip measurements taken earlier are equal.
5. Retighten the hex cap screw on the left deck hanger bracket when proper adjustment is achieved.

Seat Adjustment

Refer to the Set-Up and Assembly section of this manual for seat adjustment instructions.

Parking Brake Adjustment



WARNING! Never attempt to adjust the brakes while the engine is running. Always disengage PTO, move shift lever into neutral position, stop engine and remove key to prevent unintended starting.

If the tractor does not come to a complete stop when the brake pedal is completely depressed, or if the tractor's rear wheels can roll with the parking brake applied, the brake is in need of adjustment. See an authorized MTD Service Dealer to have your brakes properly adjusted.

Maintenance Schedule

	Before Each use	Every 10 Hours	Every 25 Hours	Every 50 Hours	Every 100 Hours	Prior to Storing
Clean Hood/Dash Louvers		✓				✓
Check Engine Oil Level	✓	✓				
Check Air Filter for Dirty, Loose or Damaged Parts	✓					
Clean and Re-oil Air Filter's Foam Pre-cleaner			✓			
Replace Air Filter Element					✓	
Change Engine Oil and Replace Oil Filter				✓		
Clean Battery Terminals		✓				✓
Lube Front Axles and Rims			✓			✓
Clean Engine Cooling Fins			✓			✓
Lube Pedal Pivot Points		✓				✓
Check Spark Plug Condition & Gap					✓	✓
Replace Fuel Filter					✓	

NOTE: This Operators Manual covers a range of product specifications for various models. Characteristics and features discussed and/or illustrated in this manual may not be applicable to all models. MTD LLC reserves the right to change product specifications, designs and equipment without notice and without incurring obligation.

IMPORTANT: Since this manual covers a range of various tractor models, it is important to consult the specific engine operator's manual included with this machine for detailed engine maintenance procedures and intervals.

Cutting Deck Removal

NOTE: Models equipped with a 38-inch deck have one deck idler pulley. Models equipped with a 42- and 46-inch deck have two deck idler pulleys.

To remove the cutting deck, proceed as follows:

1. Place the PTO (*Blade Engage*) lever in the disengaged (OFF) position and engage the parking brake.
2. Lower the deck by moving the deck lift lever into the bottom notch on the right fender.
3. Removing the self-tapping screw (A) that secures the belt-keeper rod from around the tractor's engine pulley, then remove the belt keeper rod (B). See Fig. 7-1.

Note: Make a mental note what hole the other end of the belt-keeper rod is inserted in for reinstallation purposes.

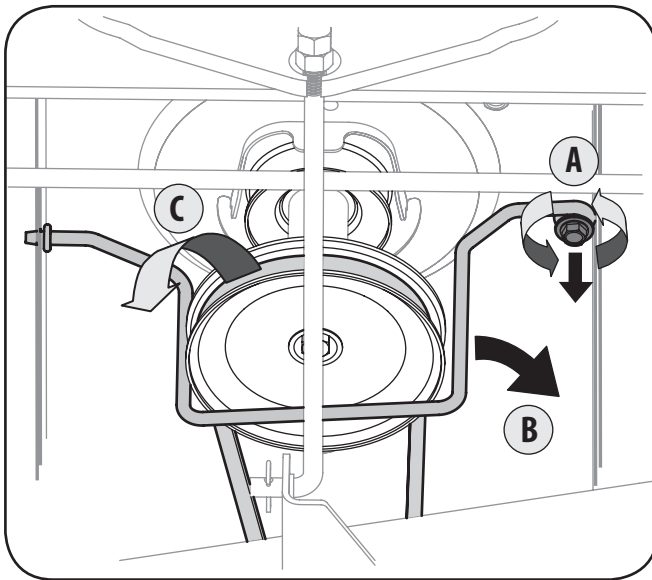


Figure 7-1

4. Remove the belt (C) from around the tractor's engine pulley. See Fig. 7-1.



WARNING! Avoid pinching injuries. Never place your fingers on the idler spring or between the belt and a pulley while removing the belt.

5. On 38" Decks: Looking at the cutting deck from the left side of the tractor, locate the bow-tie pin that secures the deck support rod on the rear left side of the deck. See Fig. 7-2. Remove the bow-tie pin that secures the deck support rod, and carefully remove the deck support from the deck lift arm.

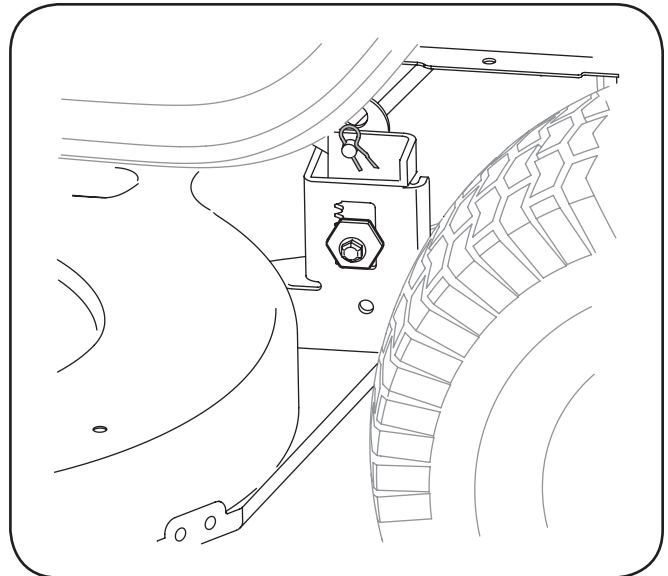


Figure 7-2

6. Repeat the above steps on the tractor's right side.

NOTE: The bow-tie hair-pin clips should be re-installed from the top down.

- On 46" Decks: Looking at the cutting deck from the left side of the tractor, locate the deck support pin on the rear left side of the deck. Pull the deck support pin outward to release the deck from the deck lift arm. See Fig. 7-3.

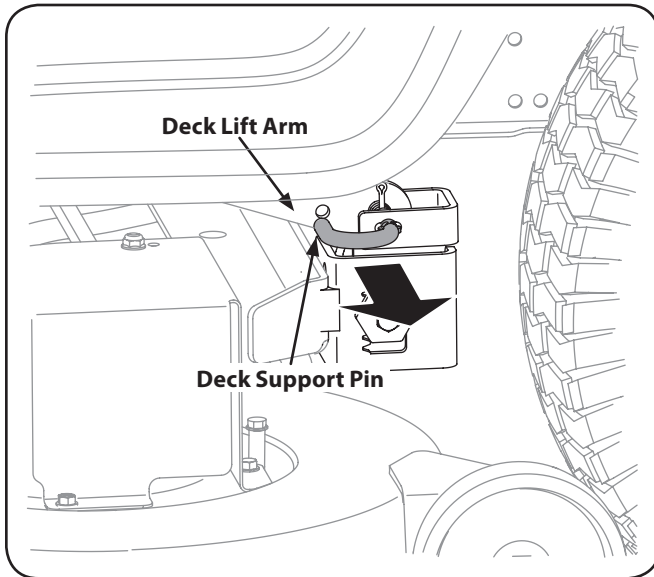


Figure 7-3

- Repeat the above steps on the tractor's right side.
- On all decks: Move the deck lift lever into the top notch on the right fender to raise the deck lift arms up and out of the way.
- On 38" Decks: Gently slide the cutting deck toward the front of the tractor carefully guiding the hooks on the deck off of the deck stabilizer rod.
On 42" & 46" Decks: Remove the bow-tie cotter pin securing the deck stabilizer rod to the deck. Slide the deck lift rod from the mounting weldment on the deck as seen in Fig. 7-4.

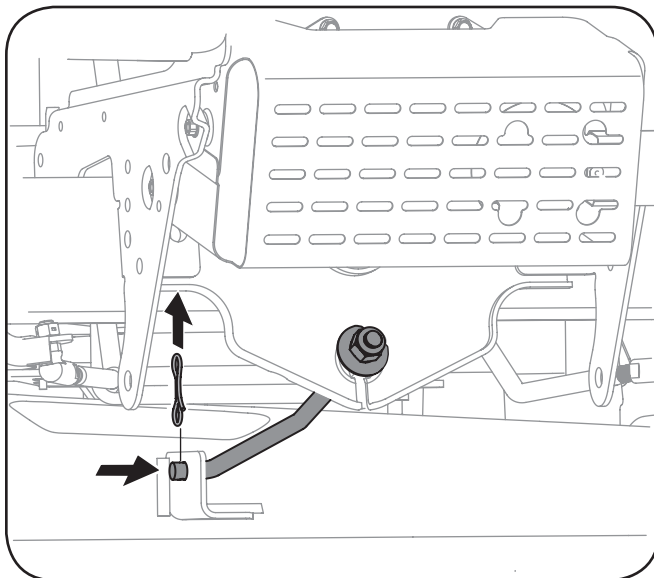


Figure 7-4

- Carefully remove the PTO cable from the rear of the cutting deck by removing the hair pin clip which secures it. Remove the spring from the deck idler bracket. See Fig. 7-5

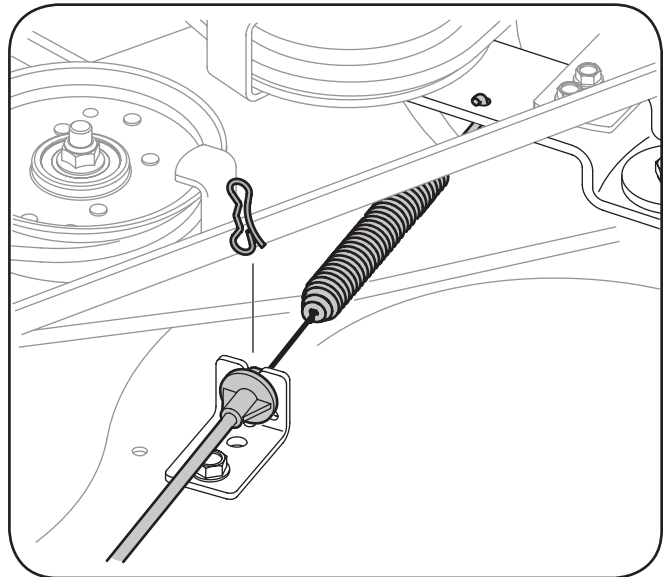


Figure 7-5

- Gently slide the cutting deck (from the left side) out from underneath the tractor.

Tires



WARNING! Never exceed the maximum inflation pressure shown on the sidewall of tire.

The recommended operating tire pressure is:

- Approximately 10 psi for the rear tires
- Approximately 14 psi for the front tires

IMPORTANT: Refer to the tire sidewall for exact tire manufacturer's recommended or maximum psi. Do not overinflate. Uneven tire pressure could cause the cutting deck to mow unevenly.

Battery



CALIFORNIA PROPOSITION 65 WARNING!

Battery posts, terminals, and related accessories contain lead and lead compounds, chemicals known to the State of California to cause cancer and reproductive harm. Wash hands after handling.



CAUTION: If removing the battery, disconnect the NEGATIVE (Black) wire from its terminal first, followed by the POSITIVE (Red) wire. When re-installing the battery, always connect the POSITIVE (Red) wire its terminal first, followed by the NEGATIVE (Black) wire.

Jump Starting



WARNING! Never jump start a damaged or frozen battery. Be certain the vehicles do not touch, and ignitions are off. Do not allow cable clamps to touch.

1. Connect positive (+) cable to positive post (+) of your tractor's discharged battery.
2. Connect the other end of the cable to the (positive +) post of the jumper battery.
3. Connect the second cable (negative -) to the other post of the jumper battery.
4. Make the final connection on the engine block of the tractor, away from the battery. Attach to a unpainted part to assure a good connection.



CAUTION: If the jumper battery is installed on a vehicle (i.e. car, truck), do NOT start the vehicle's engine when jump starting your tractor.

5. Start the tractor (as instructed in the Operation section of this manual).
6. Set the tractor's parking brake before removing the jumper cables, in reverse order of connection.

Charging



WARNING! Batteries give off an explosive gas while charging. Charge the battery in a well ventilated area and keep away from an open flame or pilot light as on a water heater, space heater, furnace, clothes dryer or other gas appliances.



CAUTION: When charging your tractor's battery, use only a charger designed for 12V lead-acid batteries. Read your battery charger's Owner's Manual prior to charging your tractor's battery. Always follow its instructions and heed its warnings.

If your tractor has not been put into use for an extended period of time, charge the battery as follows:

1. Set your battery charger to deliver a max of 10 amperes.

If your battery charger is automatic, charge the battery until the charger indicates that charging is complete. If the charger is not automatic, charge for no fewer than eight hours.

Fuse

One 20 AMP fuse is installed in your tractor's wiring harness to protect the tractor's electrical system from damage caused by excessive amperage.

If the electrical system does not function, or your tractor's engine will not crank, first check to be certain that the fuse has not blown. It can be found at the rear of the unit, underneath the fender located by the battery.



WARNING! Always use a fuse with the same amperage capacity for replacement.

Cutting Blades



WARNING! Shut the engine off and remove ignition key before removing the cutting blade(s) for sharpening or replacement. Protect your hands by using heavy gloves when grasping the blade.



WARNING! Periodically inspect the blade and/or spindle for cracks or damage, especially after you've struck a foreign object. Do not operate the machine until damaged components are replaced.

To remove the blades, proceed as follows.

1. Remove the deck from beneath the tractor, (refer to Cutting Deck Removal earlier in this section) then gently flip the deck over to expose its underside.
2. Place a block of wood between the center deck housing baffle and the cutting blade to act as a stabilizer. See Fig. 7-6.
3. Remove the hex flange nut that secures the blade to the spindle assembly. See Fig. 7-6.

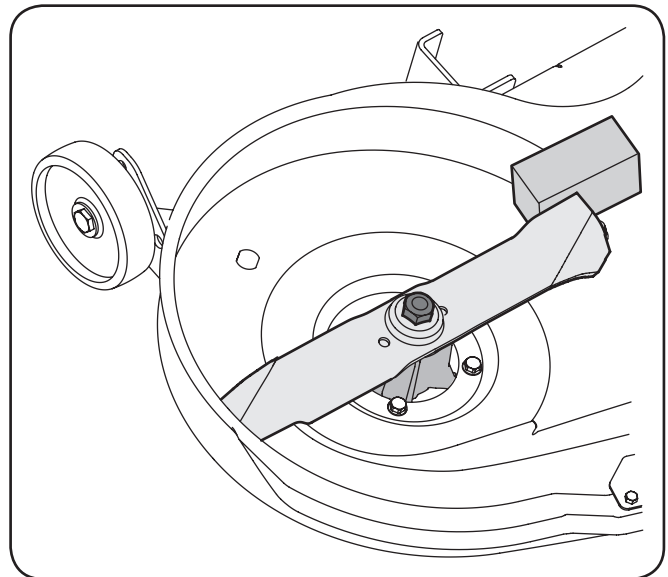


Figure 7-6

4. To properly sharpen the cutting blades, remove equal amounts of metal from both ends of the blades along the cutting edges, parallel to the trailing edge, at a 25°- to 30° angle. Always grind each cutting blade edge equally to maintain proper blade balance. See Fig. 7-7.



CAUTION: If the cutting edge of the blade has previously been sharpened, or if any metal separation is present, replace the blades with new ones.



WARNING! A poorly balanced blade will cause excessive vibration, may cause damage to the tractor and/or result in personal injury.

5. Test the blade's balance using a blade balancer. Grind metal from the heavy side until it balances evenly.

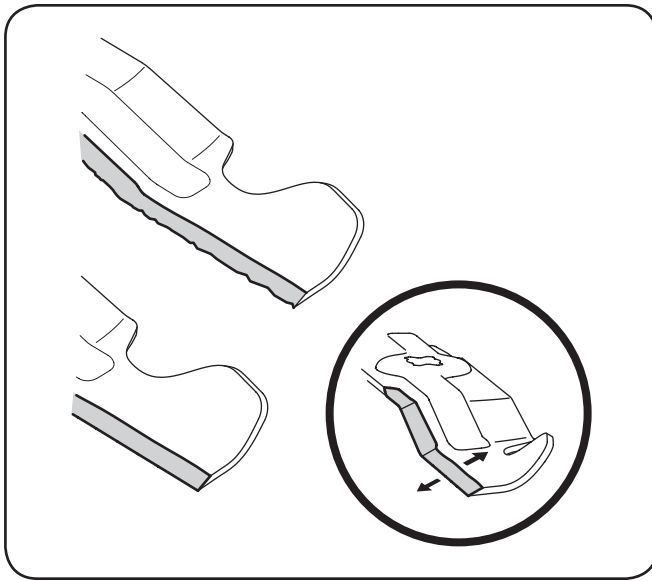


Figure 7-7

NOTE: When replacing the blade, be sure to install the blade with the side of the blade marked “Bottom” (or with a part number stamped in it) facing the ground when the mower is in the operating position.



CAUTION: Use a torque wrench to tighten the blade spindle hex flange nut to between 70 lbs-ft and 90 lbs-ft.

Changing the Deck Belt



WARNING! Be sure to shut the engine off, remove ignition key, disconnect the spark plug wire(s) and ground against the engine to prevent unintended starting before removing the belt.



WARNING! All belts on your tractor are subject to wear and should be replaced if any signs of wear are present.

IMPORTANT: The V-belt found on your tractor is specially designed to engage and disengage safely. A substitute (*non-OEM*) V-belt can be dangerous by not disengaging completely. For a proper working machine, use factory approved belts.

For 38” Decks

To change or replace the deck belt on your tractor, proceed as follows:

1. Lower the deck by moving the deck lift lever into the bottom notch on the right fender.
2. Remove the belt guards by removing the self-tapping screws that fasten them to the deck.
3. Remove the belt keeper rod from around the engine pulley.



WARNING! Avoid the possibility of a pinching injury. Do not place your fingers on the idler spring or between the belt and a pulley while removing the belt.

4. Remove the deck belt from around all pulleys, including the deck idler pulley.

5. Route the new belt as shown in Fig. 7-9.
6. Remount the belt guards removed earlier.

For 42” & 46” Decks

To change or replace the deck belt on your tractor, proceed as follows:

1. Remove the deck as instructed earlier in this section.
2. Remove the belt covers by removing the hex screws that fasten them to the deck. See Fig. 7-8.

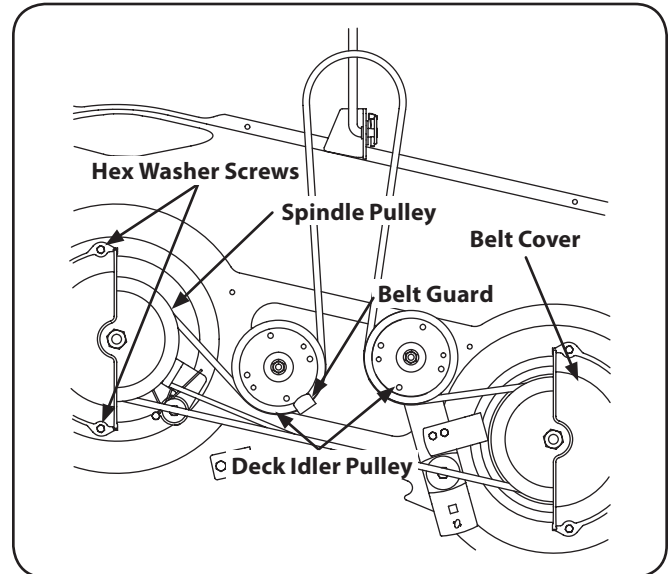


Figure 7-8

3. It may also be necessary to loosen the hex nut on the left idler pulley to get the belt off the pulley and around the belt guard.
4. Carefully remove the deck belt from around the two spindle pulleys and the two deck idler pulleys. See Fig. 7-8.
5. To place the new belt, begin by routing the belt around the two outer spindle pulleys as shown in Fig. 7-8.
6. Then route the belt around the two deck idler pulleys as shown in Fig. 7-8.
7. Retighten the belt keeper rod loosened earlier.
8. Remount the belt guards removed earlier.
9. Re-install the deck, making sure the belt remains routed around the pulleys as instructed. See Fig. 7-10.
10. Pull the right side of the belt, and place the narrow V side of the belt into the PTO pulley.
11. While holding the belt and pulley together, rotate the pulley to the left. Continue holding and rotating the pulley and belt until the belt is fully rolled into the PTO pulley.

Changing the Transmission Drive Belt

NOTE: Several components must be removed and special tools (i.e. air/impact wrench) in order to change the tractor’s drive belt. See an authorized MTD Service Dealer to have your drive belt replaced or phone Customer Support as instructed on page 2 for information on ordering a Service Manual.

38-Inch Deck

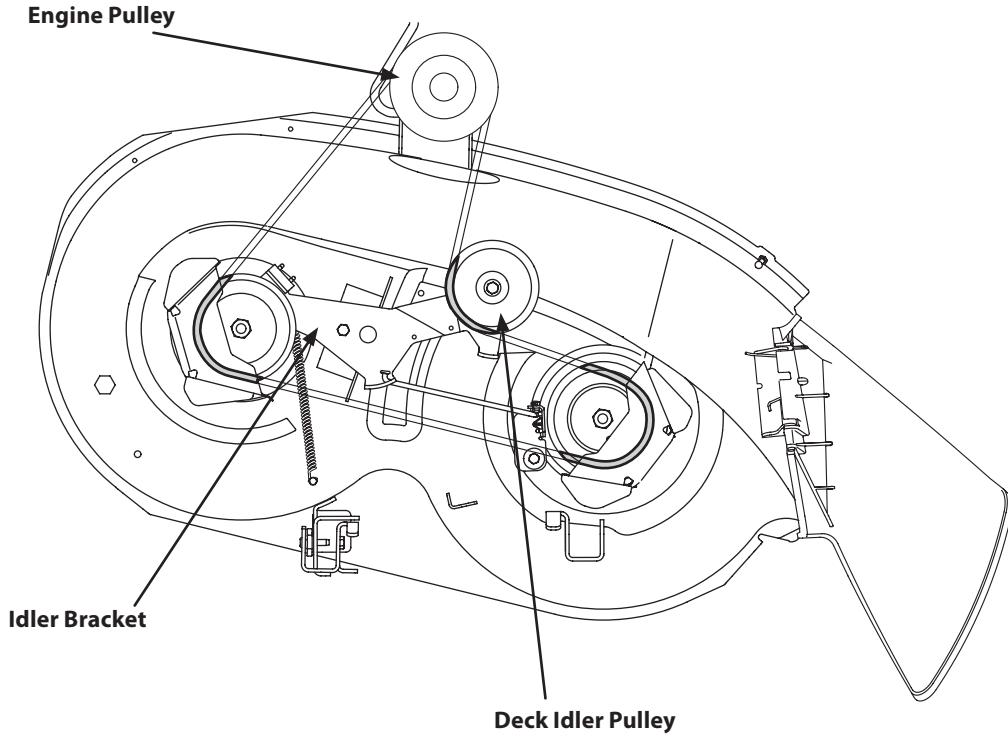


Figure 7-9

42 & 46-Inch Deck

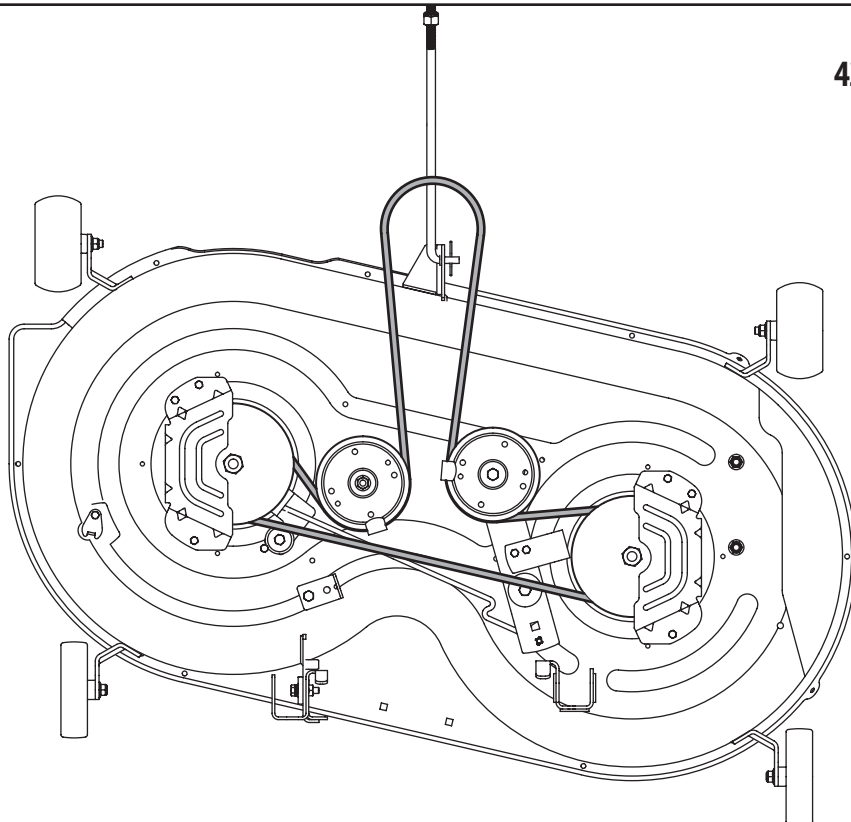


Figure 7-10

Problem	Cause	Remedy
Engine fails to start	<ol style="list-style-type: none"> 1. PTO/Blade engaged. 2. Spark plug wire disconnected. 3. Fuel tank empty, or stale fuel. 4. Choke not activated. 5. Faulty spark plug. 6. Blocked fuel line. 7. Engine flooded. 8. Parking brake not engaged 9. Throttle control lever not in correct starting position. 	<ol style="list-style-type: none"> 1. Place knob (or lever) in disengaged (OFF) position. 2. Connect wire to spark plug. 3. Fill tank with clean, fresh (less than 30 days old) gas. 4. Place the throttle control in CHOKE position. 5. Clean, adjust gap or replace plug. 6. Clean fuel line and replace fuel filter. 7. Crank engine with throttle in FAST position. 8. Engage parking brake. 9. Place throttle lever to FAST position.
Engine runs erratic	<ol style="list-style-type: none"> 1. Unit running with CHOKE activated. 2. Spark plug wires loose. 3. Blocked fuel line or stale fuel. 4. Vent in gas cap plugged. 5. Water or dirt in fuel system. 6. Dirty air cleaner. 	<ol style="list-style-type: none"> 1. Move the throttle control out of the CHOKE position. 2. Connect and tighten spark plug wire. 3. Clean fuel line; fill tank with clean, fresh gasoline and replace fuel filter, if so equipped. 4. Clear vent or replace cap if damaged. 5. Drain fuel tank. Refill with clean, fresh gasoline. 6. Replace air cleaner paper element or clean foam pre-cleaner, if so equipped.
Engine overheats	<ol style="list-style-type: none"> 1. Engine oil level low. 2. Air flow restricted. 	<ol style="list-style-type: none"> 1. Fill crankcase with proper amount and weight of oil. 2. Clean grass clippings and debris from around the engine's cooling fins and blower housing.
Engine hesitates at high RPM	<ol style="list-style-type: none"> 1. Spark plug gap too close. 	<ol style="list-style-type: none"> 1. Remove spark plug and reset the gap.
Engine Idles rough	<ol style="list-style-type: none"> 1. Spark plug fouled, faulty or gap too wide. 2. Dirty air cleaner. 	<ol style="list-style-type: none"> 1. Replace spark plug. Set plug gap. 2. Replace air cleaner element and/or clean pre-cleaner, if so equipped.
Excessive vibration	<ol style="list-style-type: none"> 1. Cutting blade loose or unbalanced. 2. Damaged or bent cutting blade. 	<ol style="list-style-type: none"> 1. Tighten blade and spindle. Balance blade. 2. Replace blade.
Mower will not mulch grass	<ol style="list-style-type: none"> 1. Engine speed too low. 2. Wet grass. 3. Excessively high grass. 4. Dull blade. 	<ol style="list-style-type: none"> 1. Place throttle in FAST (rabbit) position. 2. Do not mulch when grass is wet. 3. Mow once at a high cutting height, then mow again at desired height or make a narrower cutting swath. 4. Sharpen or replace blade.
Uneven cut	<ol style="list-style-type: none"> 1. Deck not leveled properly. 2. Dull blade. 3. Uneven tire pressure. 	<ol style="list-style-type: none"> 1. Perform side-to-side deck adjustment. 2. Sharpen or replace blade. 3. Check tire pressure in all four tires.

DESCRIPTION	PART NO.
Drive Belt (Mowing Deck) 38" Deck	954-04062
Drive Belt (Mowing Deck) 42" Deck	954-04060B
Drive Belt (Mowing Deck) 46" Deck	954-04219
Deck Blade (38" Deck)	942-0610A
Deck Blade (42" Deck)	942-04308
Extreme Deck Blade (42" Deck)	942-04308-X
Deck Blade (46" Deck)	942-04290
Extreme Deck Blade (46" Deck)	942-04290-X
Deck Spindle (38" Deck)	918-04474A
Deck Spindle (42" Deck)	918-04822A
Deck Spindle (46" Deck)	918-04636A
Deck Wheel (Rear)	734-0973
Deck Wheel (Front - 42" & 46" Deck)	734-04155
Battery	925-1707D
Tire (Front) 15 x 6 x 6 Round Shoulder	734-04240A
Tire (Front) 15 x 6 x 6 Square Shoulder	734-1731
Tire (Rear) 20 x 8 x 8 Round Shoulder	734-04241
Tire (Rear) 20 x 8 x 8 Square Shoulder	734-1730
Hub Cap	931-0484A
Fuel Tank Cap	951-12179A
Fuel Tank Cap (CA models & units with Carbon Cannisters)	951-12426
Throttle Control/Choke Cable (Single Cylinder Engines)	746-04367
Discharge Chute Assembly 38" Deck	931-1032B
Discharge Chute Assembly 42" Deck	631-04288
Discharge Chute Assembly 46" Deck	631-04288
Key	925-1745A

NOTE: This Operators Manual covers a range of product specifications for various models. Characteristics and features discussed and/or illustrated in this manual may not be applicable to all models. MTD LLC reserves the right to change product specifications, designs and equipment without notice and without incurring obligation.

NOTE: Download a complete Parts Manual free of charge at www.mtdproducts.com or phone (800) 800-7310 to purchase a Parts Manual. Be sure to have your model number and serial number ready. These can be found on the model plate located under the seat. Refer to page 2 for more information regarding locating your model and serial numbers.

The following attachments and accessories are compatible for these models of Lawn Tractors. See the retailer from which you purchased your tractor, an authorized MTD Service Dealer or phone (800) 800-7310 for information regarding price and availability.



CAUTION: These models of Lawn Tractors are NOT designed for use with any type of ground-engaging attachments (e.g. tiller or plow). Use of this type of equipment WILL void the tractor's warranty.

Model Number	Description
OEM-190-116	38-inch Deck Mulch Kit
19A30006OEM	42-inch Deck Mulch Kit
19A30005OEM	46-inch Deck Mulch Kit
490-850-0005	Cutting Blade Removal Tool
OEM-190-607	Deluxe Tractor Sunshade
OEM-190-679	Bumper
OEM-190-183	Deck Wheel Kit 38"
OEM-190-180	Double Bagger Kit 38"
19A30003OEM	Double Bagger Kit 42" & 46"
490-900-0025	Deck Wash Kit
490-850-0008	Oil Siphon

FEDERAL and/or CALIFORNIA EMISSION CONTROL WARRANTY STATEMENT
YOUR WARRANTY RIGHTS AND OBLIGATIONS

MTD Consumer Group Inc, the United States Environmental Protection Agency (EPA), and, for those products certified for sale in the state of California, the California Air Resources Board (CARB) are pleased to explain the emission (evaporative and/or exhaust) control system (ECS) warranty on your outdoor 2006 and later small off-road spark-ignited engine and equipment (outdoor equipment engine) In California, new outdoor equipment engines must be designed, built and equipped to meet the State's stringent anti-smog standards (in other states, 1997 and later model year equipment must be designed, built, and equipped to meet the U.S. EPA small off-road, spark ignition engine regulations. MTD Consumer Group Inc must warrant the ECS on your outdoor equipment engine for the period of time listed below provided there has been no abuse, neglect or improper maintenance of outdoor equipment engine.

Your ECS may include parts such as the carburetor, fuel-injection system, the ignition system, catalytic converter, fuel tanks, fuel lines, fuel caps, valves, canisters, filters, vapor hoses, clamps, connectors, and other associated emission-related components.

Where a warrantable condition exists, MTD Consumer Group Inc will repair your outdoor equipment engine at no cost to you including diagnosis, parts and labor.

MANUFACTURER'S WARRANTY COVERAGE:

This emission control system is warranted for two years. If any emission-related part on your outdoor equipment engine is defective, the part will be repaired or replaced by MTD CONSUMER GROUP INC.

OWNER'S WARRANTY RESPONSIBILITIES:

As the outdoor equipment engine owner, you are responsible for performance of the required maintenance listed in your owner's manual. MTD Consumer Group Inc recommends that you retain all receipts covering maintenance on your outdoor equipment engine, but MTD Consumer Group Inc cannot deny warranty solely for the lack of receipts.

As the outdoor equipment engine owner, you should however be aware that MTD Consumer Group Inc may deny you warranty coverage if your outdoor equipment engine or a part has failed due to abuse, neglect, or improper maintenance or unapproved modifications.

You are responsible for presenting your outdoor equipment engine to MTD Consumer Group Inc's distribution center or service center as soon as the problem exists. The warranty repairs should be completed in a reasonable amount of time, not to exceed 30 days. If you have a question regarding your warranty coverage, you should contact the MTD Consumer Group Inc Service Department at 1-800-800-7310 or via email at <http://support.mtdproducts.com>

GENERAL EMISSIONS WARRANTY COVERAGE:

MTD Consumer Group Inc warrants to the ultimate purchaser and each subsequent purchaser that the outdoor equipment engine is: Designed, built and equipped so as to conform with all applicable regulations; and free from defects in materials and workmanship that cause the failure of a warranted part to be identical in all material respects to that part as described in MTD Consumer Group Inc's application for certification.

The warranty period begins on the date the outdoor equipment engine is delivered to an ultimate purchaser or first placed into service. The warranty period is two years.

Subject to certain conditions and exclusions as stated below, the warranty on emission-related parts is as follows:

1. Any warranted part that is not scheduled for replacement as required maintenance in the written instructions supplied, is warranted for the warranty period stated above. If the part fails during the period of warranty coverage, the part will be repaired or replaced by MTD Consumer Group Inc according to subsection (4) below. Any such part repaired or replaced under warranty will be warranted for the remainder of the period.
2. Any warranted part that is scheduled only for regular inspection in the written instructions supplied is warranted for the warranty period stated above. Any such part repaired or replaced under warranty will be warranted for the remaining warranty period.
3. Any warranted part that is scheduled for replacement as required maintenance in the written instructions supplied is warranted for the period of time before the first scheduled replacement date for that part. If the part fails before the first scheduled replacement, the part will be repaired or replaced by MTD Consumer Group Inc according to subsection (4) below. Any such part repaired or replaced under warranty will be warranted for the remainder of the period prior to the first scheduled replacement point for the part.
4. Repair or replacement of any warranted part under the warranty provisions herein must be performed at a warranty station at no charge to the owner.
5. Notwithstanding the provisions herein, warranty services or repairs will be provided at all of our distribution centers that are franchised to service the subject engines or equipment.
6. The outdoor equipment engine owner will not be charged for diagnostic labor that is directly associated with diagnosis of a defective, emission-related warranted part, provided that such diagnostic work is performed at a warranty station.
7. MTD Consumer Group Inc is liable for damages to other engine or equipment components proximately caused by a failure under warranty of any warranted part.
8. Throughout the off-road engine and equipment warranty period stated above, MTD Consumer Group Inc will maintain a supply of warranted parts sufficient to meet the expected demand for such parts.
9. Any replacement part may be used in the performance of any warranty maintenance or repairs and must be provided without charge to the owner. Such use will not reduce the warranty obligations of MTD Consumer Group Inc.
10. Add-on or modified parts that are not exempted by the Air Resources Board may not be used. The use of any non-exempted add-on or modified parts by the ultimate purchaser will be grounds for disallowing a warranty claims. MTD Consumer Group Inc will not be liable to warrant failures of warranted parts caused by the use of a non-exempted add-on or modified part.

WARRANTED PARTS:

The repair or replacement of any warranted part otherwise eligible for warranty coverage may be excluded from such warranty coverage if MTD Consumer Group Inc demonstrates that the outdoor equipment engine has been abused, neglected, or improperly maintained, and that such abuse, neglect, or improper maintenance was the direct cause of the need for repair or replacement of the part. That notwithstanding, any adjustment of a component that has a factory installed, and properly operating, adjustment limiting device is still eligible for warranty coverage. Further, the coverage under this warranty extends only to parts that were present on the off-road engine and equipment purchased.

The following emission warranty parts are covered (if applicable):

(1) Fuel Metering System

- Cold start enrichment system (soft choke)
- Carburetor and internal parts (or fuel injection system)
- Fuel pump
- Fuel tank

(2) Air Induction System

- Air cleaner
- Intake manifold

(3) Ignition System

- Spark plug(s)
- Magneto ignition system

(4) Exhaust System

- Catalytic converter
- SAI (Reed valve)

(5) Miscellaneous Items Used in Above System

- Vacuum, temperature, position, time sensitive valves and switches
- Connectors and assemblies

(6) Evaporative Control

- Fuel hose
- Fuel hose clamps
- Tethered fuel cap
- Carbon canister
- Vapor lines

MANUFACTURER'S LIMITED WARRANTY FOR



The limited warranty set forth below is given by MTD LLC with respect to new merchandise purchased and used in the United States and/or its territories and possessions, and by MTD Products Limited with respect to new merchandise purchased and used in Canada and/or its territories and possessions (either entity respectively, "MTD").

"MTD" warrants this product (excluding its *Normal Wear Parts and Attachments* as described below) against defects in material and workmanship for a period of two (2) years commencing on the date of original purchase and will, at its option, repair or replace, free of charge, any part found to be defective in materials or workmanship. This limited warranty shall only apply if this product has been operated and maintained in accordance with the Operator's Manual furnished with the product, and has not been subject to misuse, abuse, commercial use, neglect, accident, improper maintenance, alteration, vandalism, theft, fire, water, or damage because of other peril or natural disaster. Damage resulting from the installation or use of any part, accessory or attachment not approved by MTD for use with the product(s) covered by this manual will void your warranty as to any resulting damage.

Normal Wear Parts are warranted to be free from defects in material and workmanship for a period of thirty (30) days from the date of purchase. Normal wear parts include, but are not limited to items such as: batteries, belts, blades, blade adapters, tines, grass bags, wheels, rider deck wheels, seats, snow thrower skid shoes, friction wheels, shave plates, auger spiral rubber and tires.

Attachments — MTD warrants attachments for this product against defects in material and workmanship for a period of one (1) year, commencing on the date of the attachment's original purchase or lease. Attachments include, but are not limited to items such as: grass collectors and mulch kits.

HOW TO OBTAIN SERVICE: Warranty service is available, WITH PROOF OF PURCHASE, through your local authorized service dealer. To locate the dealer in your area:

In the U.S.A.

Check your Yellow Pages, or contact MTD LLC at P.O. Box 361131, Cleveland, Ohio 44136-0019, or call 1-800-800-7310, 1-330-220-4683 or log on to our Web site at www.mtdproducts.com.

In Canada

Contact MTD Products Limited, Kitchener, ON N2G 4J1, or call 1-800-668-1238 or log on to our Web site at www.mtdcanada.com.

This limited warranty does **not** provide coverage in the following cases:

- a. The engine or component parts thereof. These items may carry a separate manufacturer's warranty. Refer to applicable manufacturer's warranty for terms and conditions.
- b. Log splitter pumps, valves, and cylinders have a separate one-year warranty.

- c. Routine maintenance items such as lubricants, filters, blade sharpening, tune-ups, brake adjustments, clutch adjustments, deck adjustments, and normal deterioration of the exterior finish due to use or exposure.
- d. Service completed by someone other than an authorized service dealer.
- e. MTD does not extend any warranty for products sold or exported outside of the United States and/or Canada, and their respective possessions and territories, except those sold through MTD's authorized channels of export distribution.
- f. Replacement parts that are not genuine MTD parts.
- g. Transportation charges and service calls.
- h. MTD does not warrant this product for commercial use.

No implied warranty, including any implied warranty of merchantability or fitness for a particular purpose, applies after the applicable period of express written warranty above as to the parts as identified. No other express warranty, whether written or oral, except as mentioned above, given by any person or entity, including a dealer or retailer, with respect to any product, shall bind MTD. During the period of the warranty, the exclusive remedy is repair or replacement of the product as set forth above.

The provisions as set forth in this warranty provide the sole and exclusive remedy arising from the sale. MTD shall not be liable for incidental or consequential loss or damage including, without limitation, expenses incurred for substitute or replacement lawn care services or for rental expenses to temporarily replace a warranted product.

Some states do not allow the exclusion or limitation of incidental or consequential damages, or limitations on how long an implied warranty lasts, so the above exclusions or limitations may not apply to you.

In no event shall recovery of any kind be greater than the amount of the purchase price of the product sold. **Alteration of safety features of the product shall void this warranty.** You assume the risk and liability for loss, damage, or injury to you and your property and/or to others and their property arising out of the misuse or inability to use the product.

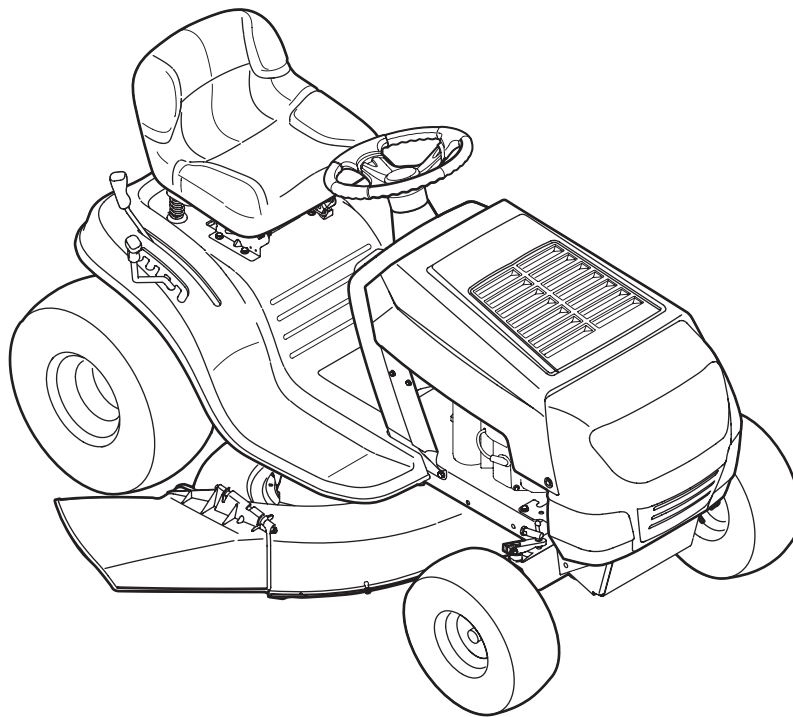
This limited warranty shall not extend to anyone other than the original purchaser or to the person for whom it was purchased as a gift.

HOW STATE LAW RELATES TO THIS WARRANTY: This limited warranty gives you specific legal rights, and you may also have other rights which vary from state to state.

IMPORTANT: Owner must present Original Proof of Purchase to obtain warranty coverage.

MTD LLC, P.O. BOX 361131 CLEVELAND, OHIO 44136-0019; Phone: 1-800-800-7310, 1-330-220-4683
MTD Canada Limited - KITCHENER, ON N2G 4J1; Phone 1-800-668-1238

MANUAL DEL OPERADOR



Serie Modelos 760-770 Tractor de Césped

! ADVERTENCIA

**LEA Y SIGA TODAS LAS INSTRUCCIONES DE ESTE MANUAL
ANTES DE PONER EN FUNCIONAMIENTO ESTA MÁQUINA.
SI NO RESPETA ESTAS INSTRUCCIONES PUEDE PROVOCAR LESIONES PERSONALES.**

MTD LLC, P.O. BOX 361131 CLEVELAND, OHIO 44136-0019

Gracias

Gracias por comprar un tractor corta césped fabricado por MTD LLC. El mismo ha sido diseñado cuidadosamente para brindar excelente rendimiento si se lo opera y mantiene correctamente.

Por favor lea todo este manual antes de operar el equipo. Le indica cómo configurar, operar y mantener la máquina con seguridad y fácilmente. Por favor asegúrese de seguir cuidadosamente y en todo momento las prácticas de seguridad recomendadas y de hacérselas seguir a cualquier otra persona que opere la máquina. En caso de no hacerlo podrían producirse lesiones personales o daños materiales.

Toda la información contenida en este manual hace referencia a la más reciente información de producto disponible en el momento de la impresión. Revise el manual frecuentemente para familiarizarse con la máquina, sus características y funcionamiento. Por favor tenga en cuenta que este Manual del Operador puede cubrir una gama de especificaciones de productos de diferentes modelos. Las características y funciones incluidas y/o ilustradas en este manual pueden no ser aplicables a todos los modelos. MTD LLC se reserva el derecho de modificar las especificaciones de los productos, los diseños y el equipo sin

previo aviso y sin generar responsabilidad por obligaciones de ningún tipo.

Si tiene algún problema o duda respecto a la máquina, llame a su distribuidor de servicio local MTD autorizado o póngase en contacto directamente con nosotros. Los números de teléfono, dirección del sitio web y dirección postal de la Asistencia al Cliente de MTD se encuentran en esta página. Queremos garantizar su entera satisfacción en todo momento.

En este manual, las referencias al lado *derecho* o *izquierdo* de la máquina se observan desde la posición del operador.

El fabricante del motor es el responsable de todas las cuestiones relacionadas con el rendimiento, potencia de salida, especificaciones, garantía y mantenimiento del motor. Para obtener mayor información consulte el Manual del Propietario / Operador entregado por el fabricante del motor, que se envía, en un paquete por separado, junto con su máquina.

Índice

Medidas importantes de seguridad	38	Servicio	58
Montaje y Configuración	44	Solución de problemas	63
Controles y Características	47	Piezas de reemplazo	64
Funcionamiento	51	Aditamentos y accesorios	65
Mantenimiento y Ajustes	54	Garantía	68

Registro de información de producto

Antes de configurar y operar su equipo nuevo, por favor localice la placa del modelo en el equipo y registre la información en el área situada a la derecha. Puede localizar la placa de modelo mirando debajo del asiento. Si tiene que solicitar soporte técnico a través de nuestro sitio web, el Departamento de Asistencia al Cliente, o de un distribuidor de servicio autorizado local, necesitará esta información.

NÚMERO DE MODELO

--	--	--	--	--	--	--	--	--	--	--

NÚMERO DE SERIE

--	--	--	--	--	--	--	--	--	--	--

Asistencia al Cliente

En caso de tener problemas para montar este producto o de tener dudas con respecto a los controles, funcionamiento o mantenimiento de esta máquina, puede solicitar la ayuda de expertos. Elija entre las opciones que se presentan a continuación:

- ◇ Visite nuestro sitio web en www.mtdproducts.com
- ◇ Llame al representante de Atención al Cliente al (800) 800-7310 o (330) 220-4683
- ◇ Escribanos a MTD LLC • P.O. Box 361131 • Cleveland, OH • 44136-0019



ADVERTENCIA: La presencia de este símbolo indica que se trata de instrucciones importantes de seguridad que se deben respetar para evitar poner en peligro su seguridad personal y/o material y la de otras personas. Lea y siga todas las instrucciones de este manual antes de poner en funcionamiento esta máquina. Si no respeta estas instrucciones puede provocar lesiones personales. Cuando vea este símbolo. **¡TENGA EN CUENTAS LAS ADVERTENCIAS!**

PROPOSICIÓN 65 DE CALIFORNIA



ADVERTENCIA: El escape del motor de este producto, algunos de sus componentes y algunos componentes del vehículo contienen o liberan sustancias químicas que el estado de California considera que pueden producir cáncer, defectos de nacimiento u otros problemas reproductivos.



ADVERTENCIA: Los bornes de la batería y los accesorios afines contienen plomo y compuestos de plomo, sustancias químicas que según lo establecido por el Estado de California causan cáncer y daños en el sistema reproductivo. *Lávese las manos después de estar en contacto con estos componentes.*



PELIGRO: Esta máquina está diseñada para ser utilizada respetando las normas de seguridad contenidas en este manual. Al igual que con cualquier tipo de equipo motorizado, un descuido o error por parte del operador puede producir lesiones graves. Esta máquina es capaz de amputar manos y pies y de arrojar objetos con gran fuerza. De no respetar las instrucciones de seguridad siguientes se pueden producir lesiones graves o la muerte.

Funcionamiento general

1. Lea, entienda y cumpla todas las instrucciones incluidas en la máquina y en los manuales antes de montarla y utilizarla. Guarde este manual en un lugar seguro para consultas futuras y periódicas, así como para solicitar repuestos.
2. Familiarícese con todos los controles y con el uso adecuado de los mismos. Sepa cómo detener la máquina y desactivar los controles rápidamente.
3. No permita nunca que los niños menores de 14 años utilicen esta máquina. Los niños de 14 años en adelante deben leer y entender las instrucciones de operación y normas de seguridad contenidas en este manual, y en la máquina y deben ser entrenados y supervisados por un adulto.
4. Nunca permita que los adultos operen esta máquina sin recibir antes la instrucción apropiada.
5. Para ayudar a evitar el contacto con las cuchillas o una lesión por algún objeto que sea arrojado, mantenga a los observadores, a los ayudantes, niños y mascotas alejados al menos 25 metros de la máquina mientras está en funcionamiento. Detenga la máquina si alguien entra en la zona.
6. Inspeccione minuciosamente el área donde utilizará el equipo. Retire todas las piedras, palos, cables, huesos, juguetes y otros objetos extraños que podrían ser recogidos y arrojados por la acción de las cuchillas. Los objetos arrojados por la máquina pueden producir lesiones graves.
7. Planifique el patrón de corte del césped que ha de seguir para evitar la descarga de material hacia los caminos, las veredas, los observadores, etc. Evite además descargar material contra las paredes y obstrucciones que podrían provocar que el material descargado rebote contra el operador.
8. Para protegerse los ojos utilice siempre anteojos o antiparras de seguridad mientras opera la máquina o mientras la ajusta o repara. Los objetos arrojados que rebotan pueden producir lesiones oculares graves.
9. Utilice zapatos de trabajo resistentes, de suela fuerte, así como pantalones y camisas ajustados. Las prendas sueltas o las alhajas pueden quedar atrapadas en las piezas móviles. Nunca opere la máquina descalzo o con sandalias.

10. Esté atento a la cortadora y a la dirección de la descarga de los aditamentos y no apunte a nadie. Nunca opere la cortadora de césped sin que estén en su lugar apropiado la cubierta de descarga o el colector de recortes de césped.
11. No ponga las manos o los pies cerca de las piezas rotatorias o debajo de la plataforma de corte. El contacto con las cuchillas puede producir la amputación de manos y pies.
12. Una cubierta de descarga faltante o dañada puede provocar el contacto con la cuchilla o lesiones por objetos arrojados.
13. Detenga la(s) cuchilla(s) cuando atravesare senderos, sendas o caminos de grava y cuando no esté cortando el césped.
14. Vigile el tránsito vehicular cuando esté operando cerca de o en cruces de caminos. Esta máquina no debe utilizarse en la vía pública.
15. No opere esta máquina bajo los efectos del alcohol o de drogas.
16. Corte el césped solamente con luz de día o con una buena luz artificial.
17. Nunca transporte pasajeros.
18. Desenganche la(s) cuchilla(s) antes de colocar la marcha atrás. Retroceda lentamente. Siempre mire hacia abajo y hacia atrás antes y mientras retrocede, para evitar accidentes.
19. Reduzca la velocidad antes de dar la vuelta. Opere la máquina suavemente. Evite la operación errática y la velocidad excesiva.
20. Desenganche la(s) cuchilla(s), coloque el freno de estacionamiento, detenga el motor y espere hasta que la(s) cuchilla(s) se detenga(n) por completo antes de retirar el colector de césped, vaciar los recortes, destapar el canal, retirar restos de césped o desechos, o hacer cualquier ajuste.
21. Nunca deje la máquina en funcionamiento sin vigilancia. Apague siempre las cuchillas, coloque la transmisión en neutral, coloque el freno de mano, detenga el motor y retire la llave antes de bajarse del vehículo.
22. Tenga sumo cuidado al cargar o descargar la máquina en un remolque o camión. Esta unidad no debe conducirse en ascenso o descenso de rampas, porque podría ladearse y provocar lesiones personales graves. En las rampas la máquina se debe empujar manualmente para cargarla o descargarla correctamente.
23. El silenciador y el motor se calientan y pueden causar quemaduras. No los toque.
24. Revise el espacio libre por encima de la cabeza antes de conducir bajo las ramas bajas de árboles, cables, cerramientos de puertas, etc. en los cuales el operador podría atorarse o ser empujado fuera de la máquina, lo que podría resultar en lesiones graves.
25. Desenganche todos los embragues de los accesorios, presione totalmente el pedal del freno y cambie a neutral antes de intentar arrancar el motor.
26. La máquina está diseñada para cortar césped residencial normal, con una altura no mayor a 10". No intente cortar césped demasiado crecido, seco (por ej., pastura) ni pilas de hojas secas. El césped y las hojas secas pueden entrar en contacto con el escape del motor y/o acumularse en la plataforma de la cortadora de césped, convirtiéndose en un peligro de incendio.
27. Utilice solamente accesorios y aditamentos aprobados para esta máquina por el fabricante de la misma. Lea, comprenda y siga todas las instrucciones proporcionadas con los accesorios o aditamentos aprobados.

28. Los datos estadísticos muestran que los operadores de 60 años y mayores se ven involucrados en un alto porcentaje de lesiones relacionadas con tractores corta césped. Estos operadores deben evaluar su capacidad para operar el tractor corta césped en forma suficientemente segura para protegerse a ellos mismos y a los demás contra lesiones graves.
29. Si se presentan situaciones que no están previstas en este manual, sea cuidadoso y use el sentido común. Si necesita ayuda, póngase en contacto con su representante de asistencia al cliente.

Funcionamiento en pendientes

Las pendientes son un factor importante relacionado con accidentes por derrape y vuelcos que pueden producir lesiones graves e incluso la muerte. La operación en pendientes requiere mayor precaución. Si no puede retroceder en la pendiente o si no se siente seguro, no realice ninguna operación de corte. Para su seguridad, use el indicador de pendientes que se incluye como parte de este manual para medir la pendiente antes de operar la máquina en una zona inclinada. Si la pendiente es mayor de 15 grados según el medidor, no opere esta máquina en ese sector, pues podría causar lesiones graves.

Haga lo siguiente:

1. Pude hacia arriba y abajo de las pendientes, no de forma transversal. Tenga cuidado cuando cambie de dirección al operar en pendiente.
2. Esté atento a los hoyos, surcos, baches, rocas, u otros objetos ocultos. El terreno desnivelado puede voltear la máquina. El césped alto puede ocultar obstáculos.
3. Vaya a baja velocidad. Elija una velocidad lo suficientemente baja, de modo que no tenga que detenerse o hacer cambios mientras está sobre la pendiente. Los neumáticos podrían perder tracción sobre las pendientes aún cuando los frenos funcionaran apropiadamente. Siempre mantenga la máquina en cambio mientras desciende las pendientes, para poder frenar con el motor.
4. Siga las recomendaciones del fabricante para los pesos o contrapesos de las ruedas, para mejorar la estabilidad de la máquina.
5. Tenga especial cuidado con los colectores de césped u otros aditamentos. Los mismos pueden modificar la estabilidad de la máquina.
6. Haga que todos los movimientos en las pendientes sean lentos y graduales. No cambie repentinamente la velocidad ni la dirección. Un frenado o cambio de velocidad repentinos pueden causar que el frente de la máquina se levante y dé una voltereta hacia atrás, lo que podría producir lesiones graves.
7. Evite arrancar o detenerse en una pendiente. Si los neumáticos pierden la tracción, desenganche las cuchillas y descienda lentamente la pendiente.

No haga lo siguiente:

1. No gire sobre las pendientes a menos que sea necesario. Si es posible, gire lentamente y gradualmente durante el descenso.
2. No corte el césped cerca de pozos, hundimientos o terraplenes. La cortadora de césped puede volcarse repentinamente si una de las ruedas está sobre el borde de un acantilado, zanja o si un borde se desmorona.
3. No intente estabilizar la máquina poniendo el pie en el suelo.
4. No utilice un colector de césped en pendientes empinadas.
5. No pade el césped húmedo. Una menor tracción podría causar derrapes.

6. No cambie a transmisión neutral para descender. El exceso de velocidad puede hacer que el operador pierda el control de la máquina, ocasionando lesiones graves e incluso la muerte.
7. No remolque cargas pesadas detrás de los aditamentos (carrito de basura cargado, podadora de rodillos, etc) en pendientes mayores de 5 grados. Cuando se desplaza pendiente abajo, el peso adicional tiende a empujar el tractor y puede hacer que se pierda el control del mismo (por ejemplo, el tractor se puede acelerar, se reduce la capacidad para frenar y maniobrar, los accesorios pueden plegarse como un cortaplumas y hacer que el tractor vuelque).

Niños

1. Pueden ocurrir accidentes trágicos si el operador no está atento a la presencia de niños. Por lo general, los niños se sienten atraídos por este tipo de máquinas y su funcionamiento. No entienden los riesgos ni los peligros. Nunca asuma que los niños permanecerán en el mismo lugar donde los vio por última vez.
 - a. Mantenga a los niños fuera del área de trabajo y bajo estricta vigilancia de un adulto responsable además del propio operador.
 - b. Esté alerta y apague la máquina si un niño ingresa al área.
 - c. Antes y mientras está retrocediendo, mire hacia atrás y cuide que no haya niños.
 - d. Nunca transporte niños, aún con la cuchilla apagada. Podrían caerse y resultar severamente heridos o interferir con la operación segura de la máquina.
 - e. Tenga extrema precaución cuando se aproxime a esquinas ciegas, portales, arbustos, árboles u otros objetos que puedan impedirle ver a un niño que se cruce en el recorrido de la máquina.
 - f. **Para evitar accidentes al operar en marcha atrás, siempre desenganche las cuchillas antes de colocar marcha atrás. Si está instalado, el “Modo Precaución Marcha Atrás” no debe utilizarse cuando hay niños u otras personas presentes.**
 - g. Mantenga a los niños alejados de los motores en marcha o calientes. Pueden sufrir quemaduras con un silenciador caliente.
 - h. Retire la llave cuando deje la máquina sin vigilancia, evite que una persona sin autorización la maneje.
2. No permita nunca que los niños menores de 14 años utilicen esta máquina. Los niños de 14 años en adelante deben leer y entender las instrucciones de operación y normas de seguridad contenidas en este manual, y en la máquina y deben ser entrenados y supervisados por un adulto.

Remolque

1. Remolque únicamente con una máquina que cuente con un enganche diseñado para remolcar. No acople equipo remolcado excepto en el punto de enganche.
2. Siga las recomendaciones del fabricante en lo que respecta a los límites de peso de los equipos a remolcar y al remolque en pendientes.
3. Nunca permita la presencia de niños u otras personas dentro o sobre los equipos remolcados.
4. En las pendientes, el peso del equipo remolcado puede causar pérdida de tracción y pérdida de control de la máquina.
5. Desplácese lentamente y deje distancia adicional para frenado.
6. No cambie a transmisión neutral para descender.

Servicio

Manejo seguro de la gasolina:

1. Para evitar lesiones personales o daños materiales sea sumamente cuidadoso al manipular la gasolina. **La gasolina es sumamente inflamable y sus vapores pueden causar explosiones.** Se puede lesionar gravemente si derrama gasolina sobre usted o sobre la ropa, ya que ésta se puede incendiar. Lávese la piel y cámbiese de ropa de inmediato.
 - a. Utilice sólo los recipientes para gasolina autorizados.
 - b. Nunca llene los recipientes en el interior de un vehículo o camión o caja de remolque con recubrimiento plástico. Coloque siempre los recipientes en el piso y lejos del vehículo antes de realizar la carga.
 - c. Cuando sea factible, retire el equipo a gasolina del camión o remolque y llénelo en el suelo. Si esto no es posible, llene el equipo en un remolque con un contenedor portátil, en vez de hacerlo con una boquilla dispensadora de gasolina.
 - d. Mantenga la boquilla de llenado en contacto con el borde del depósito de combustible o con la abertura del recipiente en todo momento, hasta terminar la carga. No utilice un dispositivo de boquilla de apertura/cierre.
 - e. Apague todos los cigarrillos, cigarros, pipas y otras fuentes de combustión.
 - f. Nunca cargue combustible en la máquina en un espacio cerrado.
 - g. Nunca saque la tapa del combustible ni agregue combustible mientras el motor está caliente o en marcha. Deje que el motor se enfríe por lo menos dos minutos antes de volver a cargar combustible.
 - h. Nunca llene en exceso el depósito de combustible. Llene el tanque no más de ½ pulgada por debajo de la base del cuello del tapón de carga, para dejar espacio para la expansión del combustible.
 - i. Vuelva a colocar la tapa de la gasolina y ajústela bien.
 - j. Limpie el combustible que se haya derramado sobre el motor y el equipo. Traslade la máquina a otra zona. Espere 5 minutos antes de encender el motor.
 - k. Para reducir el riesgo de incendio, mantenga la máquina limpia de pasto, hojas y de acumulación de otros residuos. Limpie los derrames de aceite o combustible y saque todos los residuos embebidos de combustible.
 - l. Nunca guarde la máquina o el recipiente de combustible en un espacio cerrado donde haya fuego, chispas o luz piloto, como por ejemplo de calentadores de agua, calefactores de ambientes, hornos, secadores de ropa u otros aparatos a gas.
 - m. Deje que la máquina se enfríe cinco minutos por lo menos antes de guardarla.

Servicio general

1. Nunca encienda el motor en espacios cerrados o en una zona con poca ventilación. El escape del motor contiene monóxido de carbono, un gas inodoro y letal.

2. Antes de limpiar, reparar o inspeccionar la máquina, compruebe que la(s) cuchilla(s) y todas las partes en movimiento se hayan detenido. Desconecte el cable de la bujía y póngalo haciendo masa contra el motor para evitar que se encienda accidentalmente.
3. Revise periódicamente para asegurarse que las cuchillas se detengan por completo en aproximadamente cinco (5) segundos después de accionar el control de desenganche de la(s) cuchilla(s). Si las cuchillas no se detienen dentro de este lapso de tiempo, su unidad deberá ser reparada por su distribuidor de servicio autorizado MTD.
4. Revise con frecuencia el funcionamiento del sistema de frenos ya que está sujeto a desgaste por la operación normal. Ajuste y efectúe mantenimiento según se requiera.
5. Revise los pernos de montaje de la(s) cuchilla(s) y del motor a intervalos frecuentes para verificar que estén bien apretados. Además, inspeccione visualmente la(s) cuchilla(s) en busca de daños (por ejemplo, desgaste excesivo, abolladuras, rajaduras, etc.). Reemplace la(s) cuchilla(s) únicamente con las cuchillas de fabricantes de equipos originales (O.E.M.) listadas en este manual. "El uso de piezas que no cumplen con las especificaciones del equipo original podría tener como resultado un rendimiento incorrecto y además poner en riesgo la seguridad".
6. Las cuchillas de las podadoras son muy afiladas. Envuelva la cuchilla o utilice guantes y exteme las precauciones cuando efectúe mantenimiento.
7. Mantenga todos los pernos, tuercas y tornillos bien ajustados para asegurarse de que la máquina se encuentra en condiciones seguras de operación.
8. Nunca altere el sistema de enclavamiento de seguridad ni otros mecanismos de seguridad. Controle periódicamente que funcionen correctamente.
9. Después de golpear con algún objeto extraño, detenga el motor, desconecte el cable de la bujía y conecte el motor a masa. Inspeccione minuciosamente la máquina para ver si está dañada. Repare el daño antes de arrancar y utilizar la máquina.
10. Nunca trate de hacer ajustes o reparaciones a la máquina mientras el motor está en marcha.
11. Los componentes del colector de césped y la cubierta de descarga, están sujetos a desgaste y daños que podrían dejar expuestas partes en movimiento o permitir que se arrojen objetos. Para proteger su seguridad, verifique frecuentemente todos los componentes y reemplácelos inmediatamente sólo con piezas de los fabricantes del equipo original, listados en este manual. "El uso de piezas que no cumplen con las especificaciones del equipo original podría tener como resultado un rendimiento incorrecto y además poner en riesgo la seguridad".
12. No cambie la configuración del regulador del motor ni lo opere a sobrevelocidad. El regulador del motor controla la velocidad máxima segura de funcionamiento del motor.
13. Mantenga o reemplace las etiquetas de seguridad e instrucciones según sea necesario.
14. Respete las normas referentes a la disposición correcta y las reglamentaciones sobre gasolina, aceite, etc. para proteger el medio ambiente.

15. Según la Comisión de Seguridad de Productos para el Consumidor de los Estados Unidos (CPSC) y la Agencia de Protección Ambiental de los Estados Unidos (EPA), este producto tiene una *vida útil media* de siete (7) años, ó 270 horas de funcionamiento. Al finalizar la *vida útil media*, adquiera una máquina nueva o haga inspeccionar anualmente ésta por un distribuidor de servicio autorizado para cerciorarse de que todos los sistemas mecánicos y de seguridad funcionan correctamente y no tienen excesivo desgaste. Si no lo hace, pueden producirse accidentes, lesiones o muerte.

No modifique el motor

Para evitar lesiones graves o la muerte, no modifique el motor bajo ninguna circunstancia. Si cambia la configuración del regulador del motor el motor puede descontrolarse y operar a velocidades inseguras. Nunca cambie la configuración de fábrica del regulador del motor.

Aviso referido a emisiones

Los motores que están certificados y cumplen con las regulaciones de emisiones federales EPA y de California para SORE (Equipos pequeños todo terreno) están certificados para operar con gasolina común sin plomo y pueden incluir los siguientes sistemas de control de emisiones: Modificación de motor (EM) y catalizador de tres vías (TWC) si están equipados de esa manera.

Guardachispas



ADVERTENCIA: Esta máquina está equipada con un motor de combustión interna y no debe ser utilizada en un terreno agreste cubierto por bosque, malezas o hierba ni cerca del mismo excepto que el sistema de escape del motor esté equipado con un amortiguador de chispas que cumpla con las leyes locales o estatales correspondientes (si las hay).

Si se utiliza un amortiguador de chispas el operador lo debe mantener en condiciones de uso adecuadas. En el Estado de California las medidas anteriormente mencionadas son exigidas por ley (Artículo 4442 del Código de Recursos Públicos de California). Es posible que existan leyes similares en otros estados. Las leyes federales se aplican en territorios federales. Puede conseguir el amortiguador de chispas para el silenciador a través de su distribuidor de mantenimiento de motores autorizado más cercano o poniéndose en contacto con el departamento de servicios, Apartado Postal 361131 Cleveland, Ohio 44136-0019.











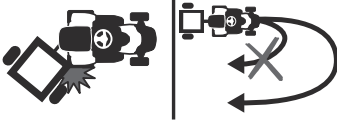


ADVERTENCIA: Su responsabilidad—Restrinja el uso de esta máquina motorizada a las personas que lean, comprendan y respeten las advertencias e instrucciones que figuran en este manual y en la máquina.

GUARDE ESTAS INSTRUCCIONES

Safety Symbols

This page depicts and describes safety symbols that may appear on this product. Read, understand, and follow all instructions on the machine before attempting to assemble and operate.

Symbol	Description
	LEA EL MANUAL(S) DEL OPERADOR leído, entienda, y siga todas las instrucciones en el manual(s) antes de procurar montar y funcionar
	PELIGRO— DÉ EL CORTE DE PIE Nunca transporte pasajeros. Nunca transporte niños, aún con la cuchilla apagada.
	PELIGRO— DÉ EL CORTE DE PIE Retroceda lentamente. Siempre mire hacia abajo y hacia atrás antes y mientras retrocede, para evitar accidentes.
	PELIGRO— DÉ EL CORTE DE PIE Guarde manos y pies lejos de hacer girar partes.
	PELIGRO— ESCOMBROS LANZADOS Quite objetos que pueden ser lanzados por la lámina en cualquier dirección. Lleve gafas de seguridad..
	PELIGRO— ESCOMBROS LANZADOS Quite objetos que pueden ser lanzados por la lámina en cualquier dirección. Lleve gafas de seguridad.
	PERSONAS PRESENTES Guarde a las personas presentes, a los ayudantes y a niños por lo menos 75 pies lejos.
	PELIGRO— CUESTAS Use extra la precaución en cuestas. No siegue cuestas mayores que 15°.
	ADVERTENCIA — SUPERFICIE CALIENTE Las partes del motor, especialmente el silenciador, llega a ser muy caliente durante la operación. Permita motor y silenciador para ponerse frío antes de tocar.
	PELIGRO— GIRANDO HOJAS Para reducir el riesgo de herida, guarde manos y pies lejos. No funcione a menos que la tapa de descarga o el receptor de hierba estén en su lugar apropiado. De ser dañado, sustituya inmediatamente.
	ADVERTENCIA— REMOLCAR Evite navaja al remolcar. Vaya lento y haga vueltas anchas..

Pendiente de Calibre

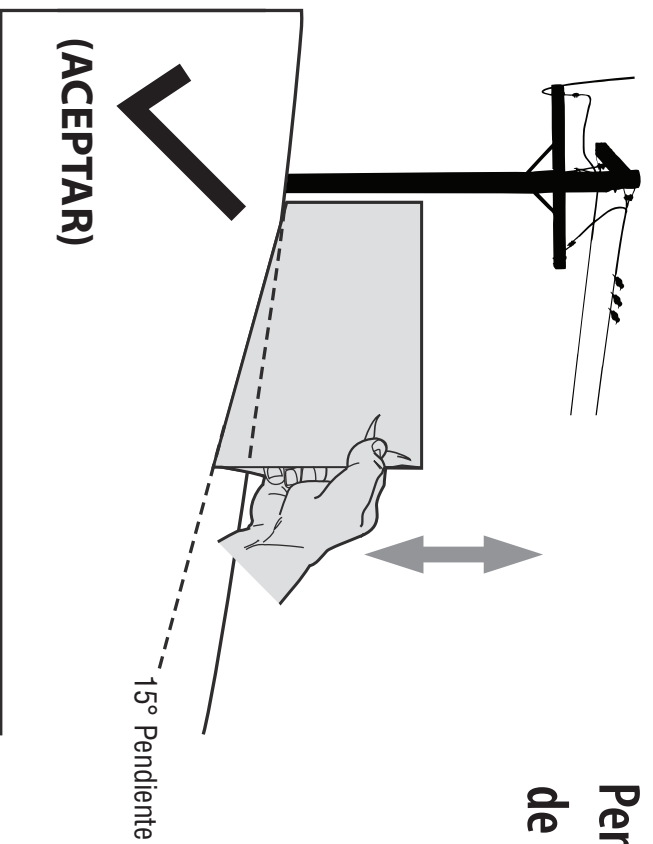


Figura 1

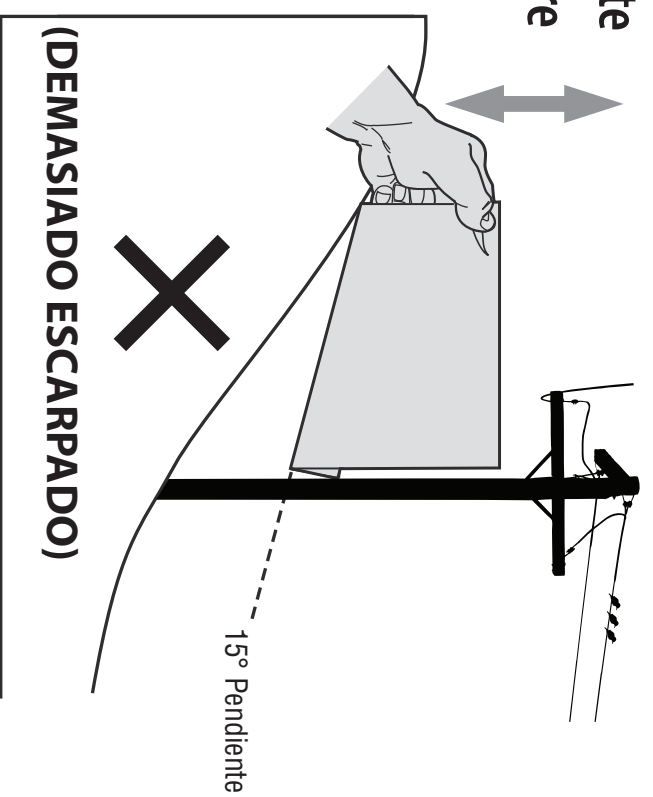


Figura 2

USO DE ESTE PENDIENTE DE CALIBRE PARA DETERMINAR

SI UNA PENDIENTE ES DEMASIADO ESCARPADO PARA UNA OPERACIÓN SEGURA!

Para comprobar la pendiente, haga lo siguiente:

1. Borrar esta página y doble a lo largo de la línea discontinua.
2. Localizar un objeto vertical sobre o detrás de la pendiente (un poste, un edificio, una valla, un árbol, etc.)
3. Alinee cada lado de pendiente de calibre con el objeto vertical (consultar Figura 1 and Figura 2).
4. Ajuste el pendiente de calibre arriba o hacia abajo hasta los toques esquina izquierda el pendiente (consultar Figura 1 and Figura 2).
5. Si hay un espacio por debajo de la pendiente de calibre, el pendiente es demasiado escarpado por operación segura (consultar Figura 2 above).

15° línea discontinua



ADVERTENCIA! Las pendientes son un factor importante relacionado con un vuelco y renovación de los accidentes que pueden provocar lesiones graves o la muerte. No utilice la máquina en pendientes de más de 15 grados. Todos pendientes requiere mayor precaución. Si no puede retroceder en la pendiente o si se siente inseguro en ella, no la recorte. Siempre corte el césped arriba y abajo las pendientes, nunca en toda la superficie de la cuesta.

CONFIGURACIÓN DEL TRACTOR

NOTA: Este Manual del operador cubre una gama de especificaciones de productos de varios modelos. Las características y funciones incluidas y/o ilustradas en este manual pueden no ser aplicables a todos los modelos. MTD LLC se reserva el derecho de modificar las especificaciones de los productos, los diseños y el equipo sin previo aviso y sin generar responsabilidad por obligaciones de ningún tipo.

Conexión de los cables de la batería



PROPUESTA 65 de California Advertencia: Los postes de la batería, terminales y accesorios relacionados contienen plomo y compuestos de plomo, los productos químicos conocidos en el Estado de California que causan cáncer y daños al sistema reproductor. Lávese las manos después de manipular.



PRECAUCIÓN: Al conectar los cables de la batería, siempre conecte el positivo (rojo) a su terminal de alambre en primer lugar, seguida de la negativa (Negro) alambre.

Por razones de envío, tanto los cables de la batería de tu equipo puede haber sido desconectado de la izquierda de las terminales en la fábrica. Para conectar los cables de la batería, haga lo siguiente:

NOTA: El positivo es el terminal de la batería marcada Pos.. (+). El negativo es el terminal de la batería marcada Neg. (-).

1. Quite la cubierta de plástico, si está presente, desde la terminal de la batería positivo y adjunte el cable rojo a la terminal de la batería positivo (+) con el perno y tuerca hexagonal. Ver fig. 3-1.
2. Quite la cubierta de plástico, si está presente, desde el borne negativo de la batería y conecte el terminal de cable negro al terminal negativo (-) con el perno y tuerca hexagonal. Ver fig. 3-1.

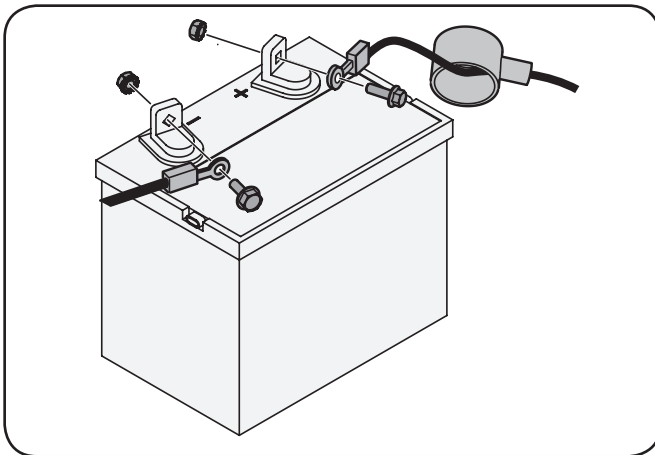


Figura 3-1

3. Posición de la zona roja de caucho sobre el terminal de la batería positivo para ayudar a proteger de la corrosión.

NOTA: Si la batería se pone en servicio después de la fecha indicada en la parte superior / lado de la batería, cargue la batería según las instrucciones en la sección Mantenimiento de su Manual de instrucciones antes de operar el tractor.

Extracción de la traba de seguridad utilizada en el envío



¡ADVERTENCIA! Asegúrese de que el motor del tractor corta césped esté apagado, quite la llave de encendido y coloque el freno de mano antes de retirar la traba de seguridad utilizada en el envío. Consulte la sección Controles y características para obtener instrucciones sobre la forma de colocar el freno de mano.

- Localice la traba de seguridad utilizada en el envío, en caso de haber, y la etiqueta de advertencia respectiva del lado derecho de la cortadora de césped, entre el canal de descarga y la plataforma de corte. Vea la Fig.

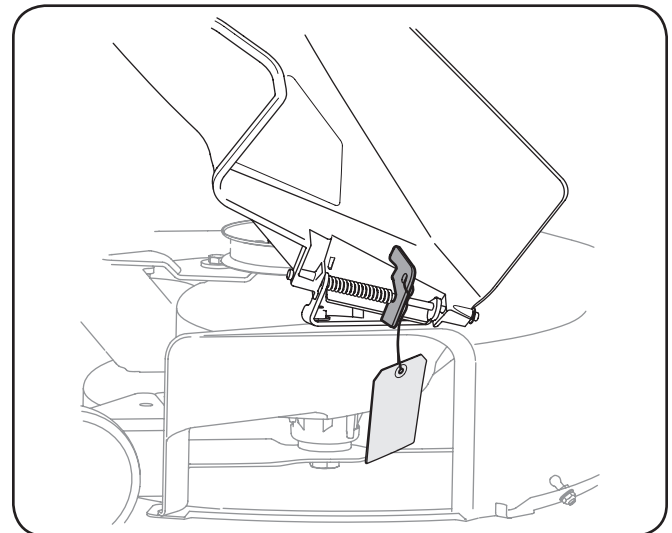


Figura 3-2

3-2.

- Coloque la palanca de elevación de la plataforma en la posición de corte más alta. Consulte Ajuste de la altura de corte en la sección Funcionamiento de este manual.
- Mientras empuja el canal de descarga hacia la máquina con su mano izquierda, extraiga con la mano derecha la traba de seguridad utilizada en el envío, sujetándola entre sus dedos pulgar e índice y rotándola en el sentido de las agujas del reloj.



¡ADVERTENCIA! La traba de seguridad utilizada en el envío sólo a los efectos de un correcto embalaje, se debe retirar y desechar antes de operar su cortadora de césped.



¡ADVERTENCIA! La plataforma de la cortadora de césped puede arrojar objetos. En caso de operar la cortadora de césped sin colocar la cubierta de descarga en la posición adecuada para el funcionamiento, podrían producirse graves lesiones personales y/o daños materiales.

Instalación del volante

Si el volante del tractor no se envía instalado, debajo de la tapa del volante, dentro del mismo, se entregan embalados los elementos de ferretería para su instalación. Extraiga con cuidado el casquete del volante mediante palanca y retire los elementos de ferretería.

1. Con las ruedas del tractor mirando hacia adelante, coloque el volante sobre el árbol de dirección.
2. Coloque la arandela (con el lado esférico hacia abajo) por encima del volante y ajústela con el perno hexagonal. Vea la Fig. 3-3.

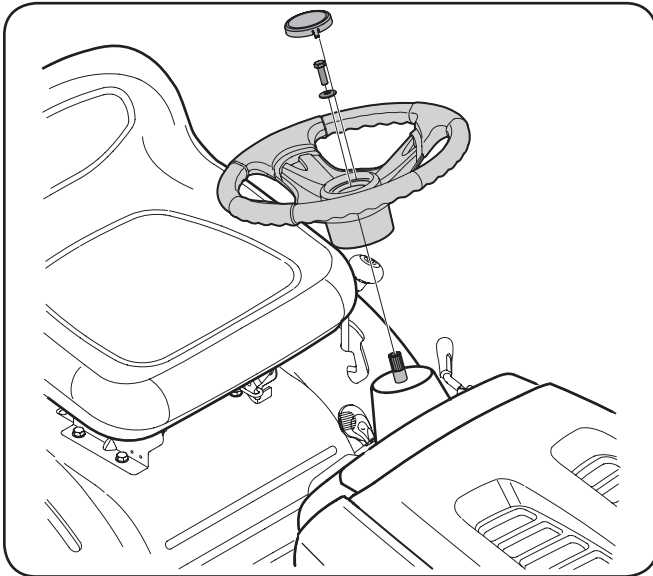


Figura 3-3

3. Coloque el casquete del volante en el centro del volante y empuje hacia abajo hasta que haga clic al encajar en su lugar.

Fijación Collar The Dash

If the tractor's dash collar did not come attached from the factory, the screws for attaching it can be found in either side of the dash console. Remove the two screws from the console and secure the dash collar as illustrated in Fig 3-4.

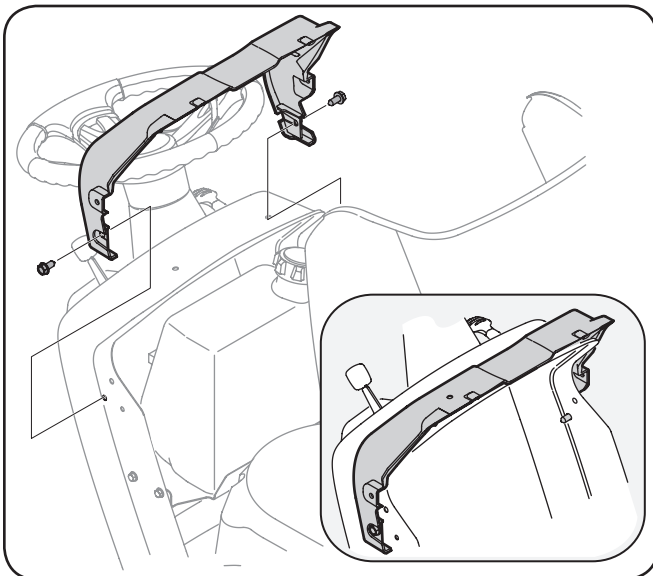


Figura 3-4

Instalación del asiento

Si el asiento de su tractor no se adjunta en la fábrica, siga las instrucciones que aparecen a continuación para adjuntarlo.

NOTA: Por razones de envío, algunos asientos no están vinculados a la fábrica. En este es el caso, libre de la sede de su posición de transporte marítimo y quitar el tornillo hexagonal (tornillo o perilla, si es aplicable) de la parte inferior del asiento antes de proceder con las siguientes instrucciones.

1. Coloque el asiento mirando hacia adelante en el asiento soporte de pivote, con el asiento de adelante dos fichas de montaje de la instalación en las ranuras previstas en el asiento soporte de pivote.
2. Deslice hacia atrás el asiento y ajustar el centro de montaje agujero en el asiento con la ranura en el asiento. Introduzca el tornillo hexagonal (tornillo o perilla, si es aplicable) previamente eliminado. No apriete en este momento.
3. Ajuste el asiento a la óptima operador la ubicación que prefiera, esto puede significar en realidad sentado en el asiento para decidir lo que considera mejor para el operador. Tenga en cuenta que el operador debe ser capaz de operar plenamente todos los pedales mientras está sentado cómodamente en el asiento.
4. Apriete el tornillo hexagonal (tornillo o perilla, si es aplicable) en la sede en este momento.
5. Para ajustar la posición del asiento, afloje el tornillo hexagonal (tornillo o perilla, si es aplicable) en la parte inferior del asiento. Deslice el asiento hacia adelante o hacia atrás según lo desee. Retighten el tornillo hexagonal. Véase la Fig. 3-5).

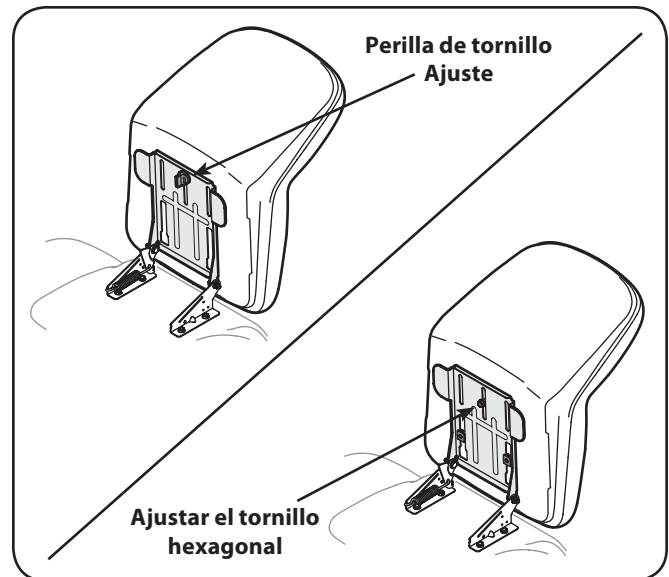


Figura 3-5

apón de abonadora (si cuenta con este equipo)

En los tractores equipados con clavija de abono, la misma se encuentra dentro de la abertura de descarga de la plataforma de corte.

NOTA: Consulte Abono en la sección Funcionamiento de este manual para obtener información detallada.

Si prefiere operar la plataforma de corte sin abono, simplemente retire el adaptador para abono desenroscando la tuerca de mariposa plástica que lo sujeta a la plataforma de corte. Esto permitirá que los recortes de césped salgan por la abertura de descarga durante la operación. Vea la Fig. 3-6.

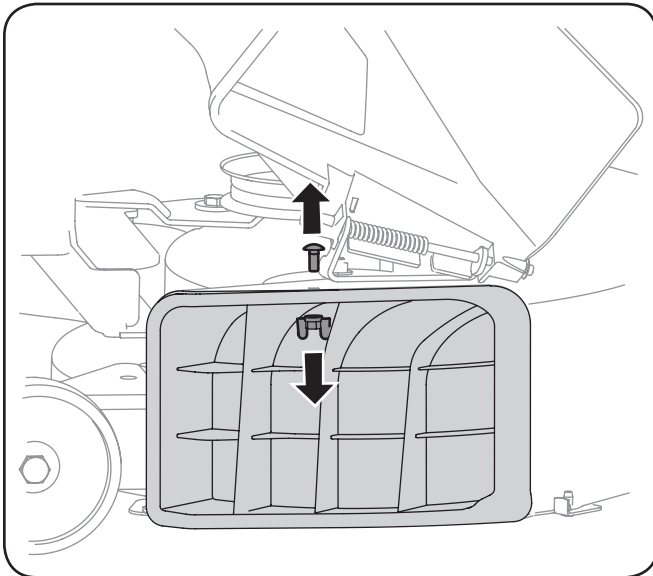


Figura 3-6

Presión de los neumáticos



¡ADVERTENCIA! La presión máxima de los neumáticos en cualquier circunstancia es de 30 psi. Se debe mantener una presión uniforme para todos los neumáticos en todo momento. Nunca exceda la presión máxima de inflado que se indica en los laterales de los neumáticos.

La presión operativa recomendada para los neumáticos es:

- Aproximadamente 10 psi para los neumáticos traseros
- Aproximadamente 14 psi para los neumáticos delanteros

IMPORTANTE: Consulte los laterales de los neumáticos para conocer con exactitud la presión máxima en psi recomendada por el fabricante. No los infle en exceso. Una presión de neumáticos despareja podría hacer que la plataforma corte el césped en forma desigual.

Llenado de gasolina y aceite

El tanque de gasolina está ubicado debajo del capó. No lo llene en exceso.



¡ADVERTENCIA! Tenga mucho cuidado al trabajar con gasolina. La gasolina es sumamente inflamable y sus vapores pueden causar explosiones. Nunca cargue combustible en la máquina en un espacio cerrado o cuando el motor está caliente o en marcha. Apague cigarrillos, cigarros, pipas y otras fuentes de combustión.

Realice la carga de gasolina y aceite del motor según las instrucciones del Manual del propietario/ operador del motor que se entrega con el tractor. Lea las instrucciones con atención.

IMPORTANTE: Su tractor se envía con aceite en el motor. Sin embargo, **usted DEBE controlar el nivel de aceite antes de hacerlo funcionar.** Tenga cuidado de no llenar en exceso.

Ajuste de las ruedas de calibración de la plataforma (en caso de haber)

Mueva el tractor a una superficie firme y nivelada, preferentemente sobre el pavimento, y realice lo siguiente.

1. Seleccione la posición de altura de la plataforma de corte colocando la palanca de elevación de la plataforma en el ajuste de altura de corte deseado en situación normal (cualquiera de las seis muescas de altura de corte del lado derecho del guardabarros).
2. Controle si las ruedas de calibración están en contacto con la superficie de abajo o si hay excesiva separación. Debe haber una separación de entre 1/4 pulgada y 1/2 pulgada entre las ruedas de calibración y el suelo, según se indica a continuación:

Si las ruedas de calibración tienen excesiva separación respecto del suelo o están en contacto con el mismo, ajuste del siguiente modo:

- a. Levante la manija de elevación de la plataforma hasta el punto más alto.
- b. Extraiga las ruedas de calibración retirando las tuercas de sujeción y los tornillos con reborde que las ajustan a la plataforma. Vea la Fig. 3-7.

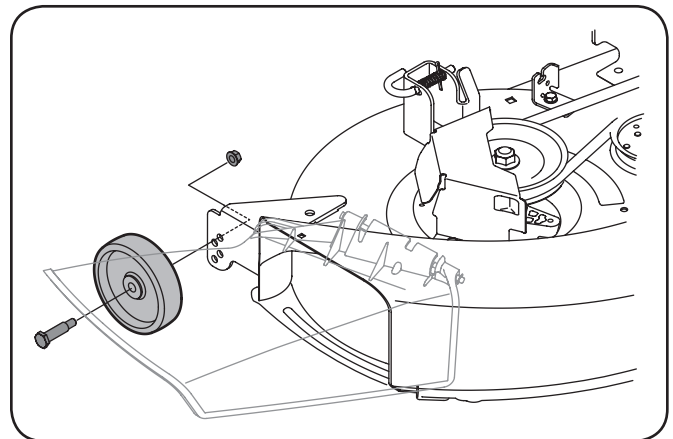


Figura 3-7

- c. Coloque la palanca de elevación de la plataforma en el ajuste de altura de corte deseado.
- d. Vuelva a insertar el tornillo con reborde (con cada rueda de calibración) dentro del orificio de posicionamiento que deja aproximadamente 1/2 pulgada entre la parte inferior de la rueda y el pavimento.

Consulte la sección **Nivelación de la plataforma** en la sección Mantenimiento de este manual para obtener instrucciones detalladas sobre diferentes ajustes de la plataforma.

⚠️ ADVERTENCIA

PARA EVITAR LESIONES PERSONALES GRAVES O LA MUERTE

- EN LAS PENDIENTES CONDUZCA HACIA ARRIBA Y HACIA ABAJO, NO DE FORMA TRANSVERSAL.
- EVITE MANIOBRAS DE GIRO BRUSCAS.
- NO OPERE LA UNIDAD EN ÁREAS DONDE PUEDE DERRAPAR O TROPEZAR.
- SI LA MÁQUINA DEJA DE SUBIR LA PENDIENTE, DETenga LA(S) CUCHILLA(S) Y RETROCEDA LENTAMENTE BAJANDO LA PENDIENTE.
- MANTenga TODOS LOS DISPOSITIVOS DE SEGURIDAD (PROTECCIONES, ESCUDOS E INTERRUPTORES, ETC.) EN SU LUGAR Y EN CORRECTO FUNCIONAMIENTO.
- RETIRE LOS OBJETOS QUE PUEDAN SER ARROJADOS POR LA(S) CUCHILLA(S) EN CUALQUIER DIRECCIÓN.
- CONOZCA LA UBICACIÓN Y FUNCIÓN DE TODOS LOS CONTROLES.
- ASEGÚRESE DE QUE LA(S) CUCHILLA(S) Y EL MOTOR SE DETENGAN ANTES DE COLOCAR LAS MANOS O LOS PIES CERCA DE LA(S) CUCHILLA(S).
- ANTES DE ABANDONAR LA POSICIÓN DEL OPERADOR, DESENGANCHE LA(S) CUCHILLA(S), COLOQUE EL FRENO DE MANO, APAGUE Y RETIRE LA LLAVE.

LEA EL MANUAL DEL OPERADOR

INTERRUPTORES de bloqueo de seguridad

Este tractor está equipado con un sistema de bloqueo de seguridad para protección del operador. Si el sistema de bloqueo funciona mal, no se debe hacer funcionar el tractor. Póngase en contacto con un distribuidor de servicio MTD autorizado.

- El sistema de bloqueo de seguridad impide que el motor arranque o se encienda a menos que esté colocado el freno de mano y la palanca de potencia de arranque (PTO) (*enganche de cuchilla*) esté en posición desconectada (OFF).
- Si el operador abandona su asiento antes de colocar el freno de mano, el motor se apagará automáticamente.
- El motor se apagará automáticamente si el operador abandona el asiento del tractor con la palanca de la potencia de arranque (PTO) (*enganche de cuchilla*) en la posición enganchada (ON), independientemente de que el freno de mano esté colocado o no.

Modelos sin modo de precaución en marcha atrás

- El motor se apagará automáticamente si la potencia de arranque (PTO) (*enganche de cuchilla*) se coloca en posición enganchada (ON) con la palanca de cambios en posición marcha atrás.

Modelos con modo de precaución en marcha atrás

- Con la llave de encendido en la posición de CORTE DE CÉSPED NORMAL, el motor se apagará automáticamente si la palanca PTO (*enganche de cuchilla*) se coloca en posición enganchada (ON) con la palanca de cambios en marcha atrás.



¡ADVERTENCIA! No opere el tractor si el sistema de bloqueo funciona mal. El sistema fue diseñado para brindarle seguridad y protección.

MODO de precaución en marcha atrás

(Modelos equipados con módulo de interruptor de encendido)



¡ADVERTENCIA! Tenga mucho cuidado cuando opere el tractor en MODO DE PRECAUCIÓN EN MARCHA ATRÁS. Mire siempre hacia abajo y hacia atrás antes y mientras opera marcha atrás. No opere el tractor cuando haya niños u otras personas en el lugar. Detenga el tractor inmediatamente si alguien ingresa en la zona.

La posición **MODO DE PRECAUCIÓN EN MARCHA ATRÁS** del módulo del interruptor de llave permite operar el tractor en marcha atrás con las cuchillas enganchadas.

IMPORTANTE: No se recomienda cortar el césped en marcha atrás.

Para utilizar el MODO DE PRECAUCIÓN EN MARCHA ATRÁS:

IMPORTANTE: El operador **DEBE** estar sentado en el asiento del tractor.

1. Arranque el motor según las instrucciones de la sección Funcionamiento de este manual.
2. Gire la llave desde la posición de CORTE NORMAL (*verde*) hasta la posición de MODO DE PRECAUCIÓN EN MARCHA ATRÁS (*amarillo*) del módulo del interruptor de llave. Vea la Fig. 5-1.

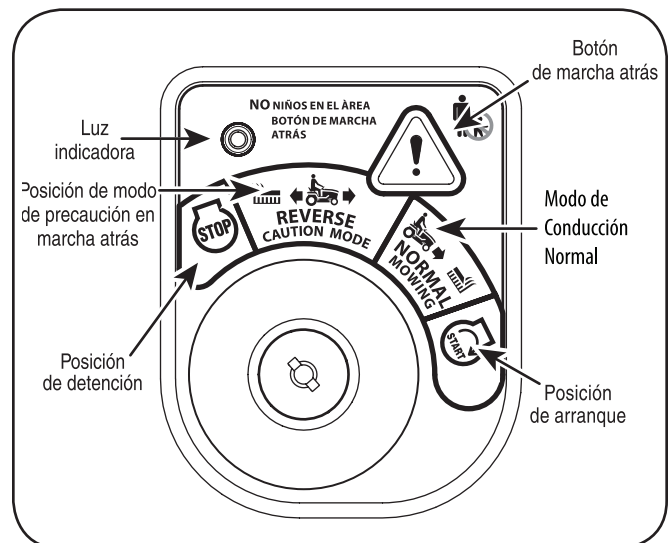


Figura 5-1

3. Presione el BOTÓN DE MARCHA ATRÁS (*botón triangular de color naranja*) en la esquina superior derecha del módulo del interruptor de llave. La luz indicadora roja en la esquina superior izquierda del módulo del interruptor de llave se mantiene encendida (ON) mientras esté activado. Vea la Fig. 5-1.
4. Una vez activado el Modo de Precaución en Marcha Atrás (*con la luz indicadora encendida*), el tractor podrá conducirse en marcha atrás con las cuchillas de corte (PTO) enganchadas.
5. Siempre mire hacia abajo y hacia atrás antes y mientras opera en marcha atrás, para asegurarse de que no haya niños en el área.
6. Una vez retomada la marcha hacia adelante, vuelva a colocar la llave en la posición CORTE NORMAL.

IMPORTANTE: El MODO DE PRECAUCIÓN EN MARCHA ATRÁS permanece activado hasta que:

- a. Se coloca la llave en la posición de CORTE NORMAL o en la posición STOP (detención).
- b. El operador coloca el freno de mano, presionando totalmente el pedal de freno-embrague y manteniéndolo mientras mueve la palanca de control de velocidad a la posición FRENO DE MANO.

Colocación del freno de mano

Para colocar el freno de mano:

1. Presione totalmente el pedal del embrague-freno y manténgalo hacia abajo con el pie.
2. Mueva la palanca de control de velocidad totalmente hacia abajo en la posición de freno de mano.
3. Suelte el pedal del embrague-freno para permitir que el freno de mano engrane.

Para sacar el freno de mano:

1. Presione el pedal del embrague-freno, saque la palanca de control de velocidad de la posición de freno de estacionamiento y llévela a la velocidad deseada.

Fijación de la altura de corte

1. Seleccione la posición de altura de la plataforma de corte colocando la palanca de elevación de la plataforma en cualquiera de las seis muescas de diferente altura de corte, del lado derecho del guardabarros.
2. Ajuste las ruedas de la plataforma (si el vehículo está equipado con ellas) según las instrucciones de la sección Configuración y montaje que figuran en partes anteriores de este manual, para que queden a una distancia de entre $\frac{1}{4}$ de pulgada y $\frac{1}{2}$ pulgada por encima del terreno, cuando el tractor se encuentre en una superficie lisa y plana, como, por ejemplo, un camino de entrada particular.



¡ADVERTENCIA! Mantenga las manos y pies alejados de la abertura de descarga de la plataforma de corte.

NOTA: Las ruedas de la plataforma (en los modelos equipados con ellas) constituyen un mecanismo para el cuidado del césped y no fueron diseñadas para soportar el peso de la plataforma de corte. Consulte la sección Nivelación en la sección Mantenimiento de este manual para obtener instrucciones detalladas sobre diferentes ajustes de la plataforma.

Encendido del motor



¡ADVERTENCIA! No opere el tractor si el sistema de bloqueo funciona mal. El sistema fue diseñado para brindarle seguridad y protección.

NOTA: Consulte las instrucciones para el llenado de gasolina y aceite en la sección Montaje y configuración de este manual.

1. Inserte la llave del tractor en el interruptor de encendido.
2. Coloque la palanca de la potencia de arranque (PTO) (*enganche de cuchilla*) en la posición OFF (desconectada).
3. Coloque el freno de mano del tractor.
4. Active el control del obturador.
5. Gire la llave de encendido en el sentido de las agujas del reloj hasta la posición START (ENCENDIDO). Una vez que arranque el motor, suelte la llave. Volverá a la posición ON (*o de corte normal*).



PRECAUCIÓN: NO mantenga la llave en la posición START (ARRANQUE) durante más de diez segundos por vez. Si lo hace, puede ocasionar daños al arrancador eléctrico del motor.

6. Después de que arranque el motor, desactive el control del obturador y coloque el control del regulador en posición FAST (velocidad rápida).

NOTA: NO deje el control del obturador activado mientras opera el tractor. Si lo hace, se generará una mezcla "rica" de combustibles, lo cual hará que el motor pierda intensidad.

Detención del motor



¡ADVERTENCIA! Si golpea contra algún objeto extraño, detenga el motor, desconecte el(los) cable(s) de la bujía y conecte el motor a masa. Inspeccione minuciosamente la máquina para ver si está dañada. Repare el daño antes de volver a arrancar el motor y operar la máquina.

1. Si las cuchillas están enganchadas, coloque la palanca de la potencia de arranque (PTO) (*enganche de cuchilla*) en la posición OFF (desconectada).
2. Gire la llave de encendido en sentido contrario a las agujas del reloj a la posición STOP (detención).
3. Retire la llave del interruptor de encendido para evitar que alguien encienda accidentalmente el motor.

Conducción del tractor



¡ADVERTENCIA! Evite arrancar súbitamente, desarrollar excesiva velocidad y detenerse de repente.

¡ADVERTENCIA! No abandone el asiento del tractor sin colocar primero la palanca de la potencia de arranque PTO (*enganche de cuchilla*) en la posición (OFF) (desenganchada), presionando el pedal del freno y colocando el freno de mano. Si deja el tractor sin vigilancia, apague el motor y retire la llave de encendido.

¡ADVERTENCIA! Siempre mire hacia abajo y hacia atrás antes y mientras se desplaza marcha atrás, para evitar un accidente.

1. Presione el pedal de freno para soltar el freno de mano y deje que suba el pedal.
2. Mueva la palanca del regulador a la posición FAST (VELOCIDAD RÁPIDA, representada por una liebre).
3. Coloque la palanca de cambios en posición FORWARD (marcha directa) o REVERSE (marcha atrás).

IMPORTANTE: NO use la palanca de cambios para cambiar la dirección de desplazamiento mientras el tractor esté en movimiento. Siempre use el pedal de freno para detener el tractor por completo antes de hacer el cambio.

4. Suelte el freno de mano presionando el pedal del embrague-freno y colocando la palanca de control de velocidad en la posición deseada.

IMPORTANTE: Quienes utilicen la máquina por primera vez deben usar las posiciones de velocidad 1 ó 2. Familiarícese por completo con el funcionamiento y los controles del tractor antes de operar la máquina en posiciones de mayor velocidad.

5. Suelte el pedal del embrague-freno lentamente para poner la unidad en movimiento.
6. El tractor corta césped se detiene presionando el pedal del embrague-freno.

NOTA: Al operar la unidad inicialmente, habrá poca diferencia entre las dos velocidades más altas hasta que las correas se hayan asentado en las poleas durante el período de ablande.



¡ADVERTENCIA! Antes de abandonar la posición del operador, desenganche las cuchillas, coloque la palanca en neutral, coloque el freno de mano, apague el motor y retire la llave de encendido.

IMPORTANTE: Siempre que detenga el tractor por cualquier razón en un área de césped, haga lo siguiente:

1. Coloque la palanca de cambios en neutral,
2. Coloque el freno de estacionamiento,
3. Apague el motor y retire la llave. Eso permitirá reducir al mínimo la posibilidad de que su césped resulte quemado por el escape caliente del motor en funcionamiento.

Si la unidad se detiene con el control de velocidad en la posición de alta velocidad, o si la unidad no funciona con la palanca de control de velocidad en la posición de baja velocidad, realice lo siguiente:

1. Coloque la palanca de cambios en posición NEUTRAL.
2. Vuelva a encender el motor.
3. Coloque la palanca de control de velocidad en la posición de velocidad más alta.
4. Suelte completamente el pedal del embrague-freno.
5. Presione el pedal del embrague-freno.

6. Coloque la palanca de control de velocidad en la posición deseada.
7. Coloque la palanca de cambios en la posición FORWARD (marcha directa) o REVERSE (marcha atrás), y siga el procedimiento normal de operación.

Operación en pendientes

Consulte el INDICADOR DE PENDIENTES en la sección Medidas importantes de seguridad del manual para contribuir a determinar en qué pendientes puede operar el tractor con seguridad.



¡ADVERTENCIA! No corte el césped en inclinaciones mayores a 15 grados (*elevación aproximada de 2 1/2 pies por cada 10 pies*). El tractor podría voltearse y causar lesiones severas.

- Corte hacia arriba y abajo de las pendientes, NUNCA en forma transversal.
- Tenga cuidado cuando cambie de dirección al operar en pendiente.
- Esté atento a los hoyos, surcos, baches, rocas u otros objetos ocultos. El terreno desnivelado puede voltear la máquina. El césped alto puede ocultar obstáculos.
- Evite realizar giros cuando opere en una pendiente. Si debiera realizar un giro, baje de la pendiente. Subir una pendiente aumenta enormemente las posibilidades de que el vehículo dé una vuelta de campana.
- Evite detenerse cuando suba una pendiente. Si fuese necesario detenerse mientras sube una pendiente, arranque suave y cuidadosamente para reducir la posibilidad de que el tractor dé una voltereta hacia atrás.

Enganche de las cuchillas

Cuando se engancha la potencia de arranque PTO (*enganche de cuchillas*) se suministra alimentación a la plataforma de corte o a otros aditamentos (*disponibles por separado*). Para conectar las cuchillas, haga lo siguiente:

1. Mueva la palanca de control del regulador a la posición FAST (VELOCIDAD RÁPIDA, representada por una liebre).
2. Tome la potencia de arranque PTO (*enganche de cuchillas*) y gírela totalmente hacia adelante hasta la posición *enganchada (ON)*.
3. Mantenga la palanca del regulador en la posición FAST (velocidad rápida, representada por una liebre), para un uso más eficaz de la plataforma de corte o de otros accesorios (*disponibles por separado*).

NOTA: Modelos con modo de precaución en marcha atrás: El motor se apagará automáticamente si la potencia de arranque (PTO) está enganchada con la palanca de cambios en posición de marcha atrás con la llave de encendido en la posición de CORTE NORMAL.

Modelos sin Modo de precaución en marcha atrás:

La palanca de potencia de arranque PTO (*enganche de cuchilla*) debe estar en la posición desconectada (OFF) al arrancar el motor, cuando se desplaza marcha atrás y si el operador abandona su asiento. Consulte Interruptores de Bloqueo de Seguridad en la sección Funcionamiento de este manual.

Utilización de la palanca de elevación de la plataforma

Para elevar la plataforma de corte, mueva la palanca de elevación de la plataforma hacia la izquierda y colóquela en la muesca que mejor se adapte a la aplicación deseada. Consulte Ajuste de la altura de corte unas páginas atrás en esta misma sección.

Corte de césped



¡ADVERTENCIA! Para ayudar a evitar el contacto con las cuchillas o una lesión por algún objeto que sea arrojado, mantenga a los observadores, a los ayudantes, niños y mascotas alejados al menos 25 metros de la máquina mientras está en funcionamiento. Detenga la máquina si alguien se acerca.

La siguiente información será de utilidad cuando use la plataforma de corte con su tractor:



¡ADVERTENCIA! Planifique el patrón de corte, para evitar que la descarga de materiales se realice hacia los caminos, las veredas, los observadores, etc. Evite además descargar material contra las paredes u obstrucciones que podrían hacer que el material descargado rebote contra el operador.

- No corte a alta velocidad absoluta, especialmente si se ha instalado un juego de abonadora o un colector de césped.
- Para obtener los mejores resultados, se recomienda realizar los dos primeros cortes de césped arrojando la descarga hacia el centro. Después de las dos primeras vueltas, cambie la dirección para arrojar la descarga hacia afuera, para equilibrar el corte. Esto otorgará un mejor aspecto al césped.
- No corte el césped demasiado corto. El césped corto es propicio para el crecimiento de malezas y se pone amarillo rápidamente cuando escasea la lluvia.
- El corte del césped siempre debe realizarse con el regulador del motor al máximo.
- En terrenos difíciles, puede resultar necesario pasar por segunda vez el tractor corta césped sobre el área ya cortada, para obtener un corte más prolijo.
- NO intente cortar malezas frondosas o césped extremadamente alto. El tractor fue diseñado para cortar el césped, NO para podar malezas.
- Mantenga las cuchillas afiladas y reemplácelas cuando se desgasten. Consulte Cuchillas de corte en la sección Servicio de este manual para obtener instrucciones sobre cómo afilar correctamente las cuchillas.

Abono

Ciertos modelos están equipados con un kit para abono que incorpora cuchillas especiales a las que vienen en el tractor estándar, en un proceso de recirculación del recorte de césped repetidas veces debajo de la plataforma de corte. Los recortes muy finos luego son despedidos hacia atrás para que se depositen en el césped y actúen como fertilizante natural.

Observe los siguientes puntos para obtener los mejores resultados al realizar el abono:

- Nunca intente realizar el abono si el césped está húmedo. El césped húmedo tiende a adherirse al lado inferior de la plataforma de corte y no permite la adecuada incorporación del recorte de césped como abono.
- NO intente realizar abono a más de 1/3 de la altura total de césped, o aproximadamente 1-1/2 pulgadas. De lo contrario los recortes de césped se amontonarán formando terrones debajo de la plataforma y no se distribuirán eficazmente como abono.
- Mantenga una velocidad absoluta lenta para permitir que los recortes de césped se distribuyan eficazmente como

abono.

- Coloque siempre la palanca de control del regulador en la posición FAST (velocidad rápida) (liebre) y déjela en esa posición mientras realiza el corte de césped. Si el motor no se mantiene con el regulador a pleno se somete al motor del tractor a un esfuerzo mayor que no permite que las cuchillas desintegren adecuadamente el recorte de césped que se distribuye como abono. Se debe controlar la velocidad absoluta usando la palanca de control de velocidad.

NOTA: No es necesario retirar el canal de descarga para operar la cortadora de césped con el kit de abono instalado.



¡ADVERTENCIA! Nunca opere la cortadora de césped sin el canal de descarga adecuadamente instalado.

Para operar la plataforma de corte sin abono, simplemente retire la clavija de abono desenroscando la tuerca de mariposa plástica que la sujeta a la plataforma de corte. Esto permite que los recortes se descarguen por el costado. Vea la Fig. 5-2.

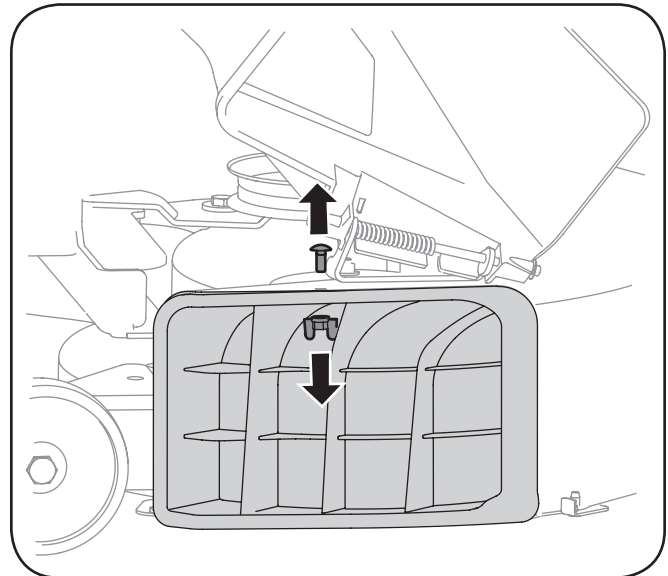


Figura 5-2

Faros delanteros

- En algunos modelos, los faros se encienden (ON) cada vez que el motor del tractor está en funcionamiento. En otros modelos, los faros se encienden (ON) cada vez que se coloca la llave de encendido a la posición de luces con el motor en funcionamiento.
- En todos los modelos, los faros se apagan (OFF) cuando se coloca la llave de encendido en la posición STOP (detención).

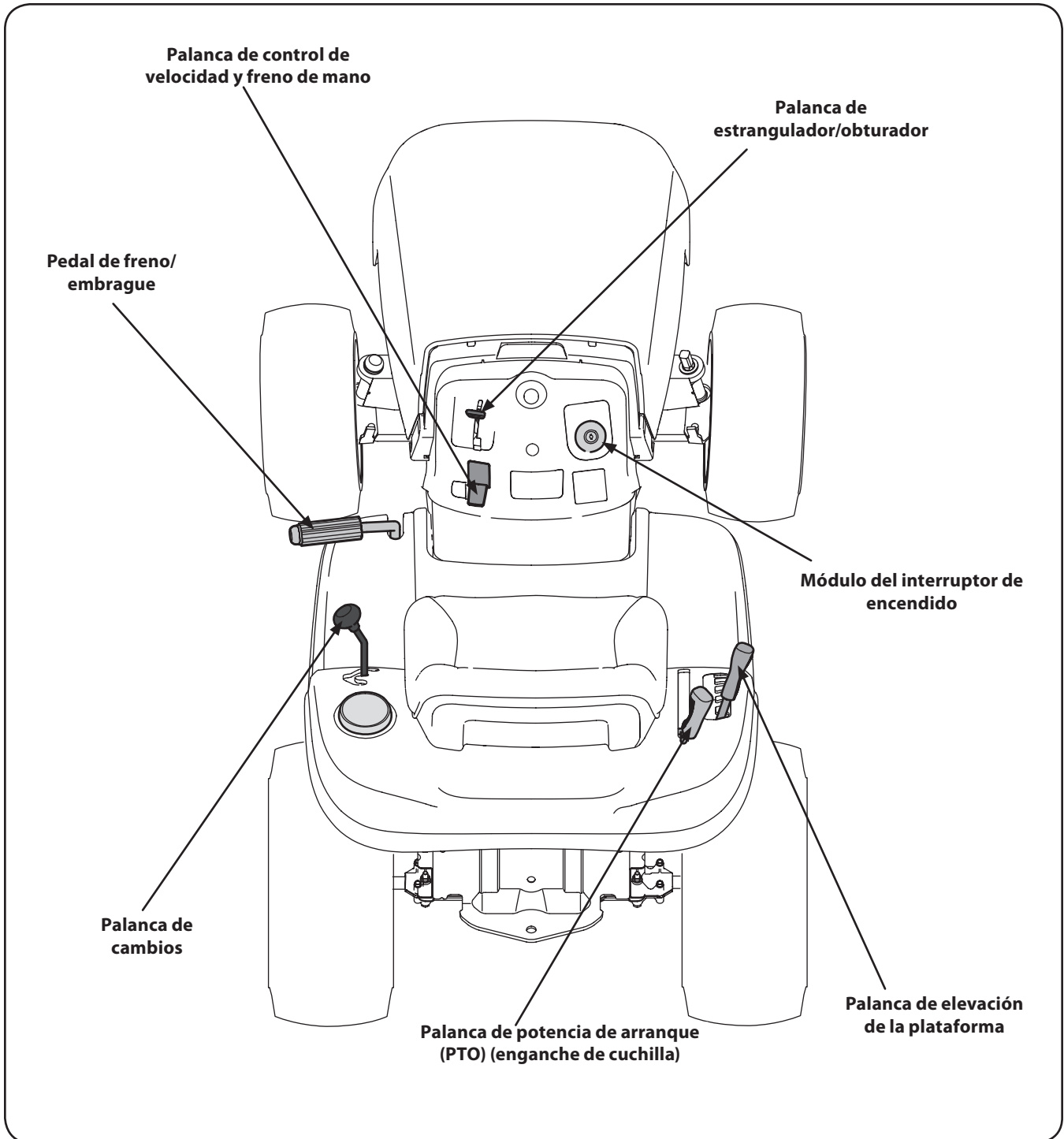


Figura 4-1

Los controles y características del tractor corta césped se ilustran en la Figura 4-1 y se describen en las páginas siguientes.



¡ADVERTENCIA! Lea y respete todas las normas de seguridad y las instrucciones de este manual, incluida la sección Funcionamiento en su totalidad, antes de intentar operar esta máquina. Si no respeta todas las normas de seguridad y las instrucciones puede provocar lesiones personales.

PALANCA DE CONTROL DEL REGULADOR

La palanca de control del estrangulador está ubicada del lado derecho del tablero de instrumentos del tractor. Esta palanca controla la velocidad del motor y, en algunos modelos, cuando se la empuja totalmente hacia adelante, también controla el obturador. Cuando se lo coloca en una posición determinada, el regulador mantiene una velocidad de motor uniforme. Vea la Fig. 4-2.

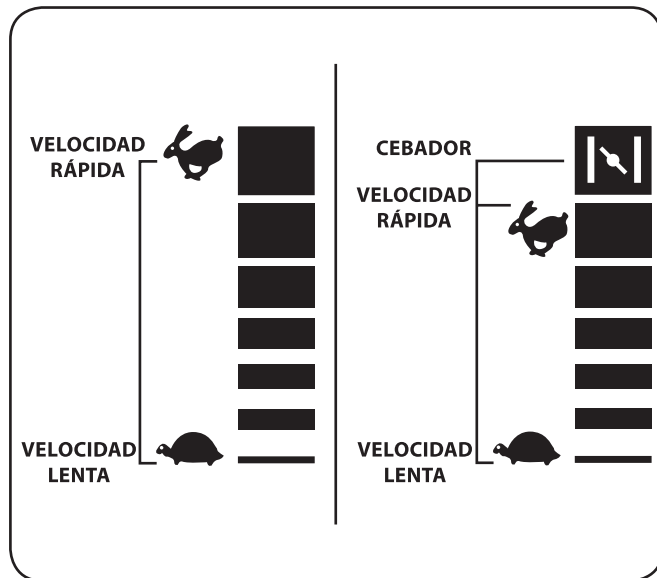
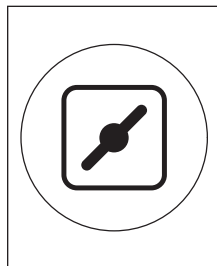


Figura 4-2

IMPORTANTE: Cuando opere el tractor con la plataforma de corte colocada, asegúrese de que la palanca del regulador esté siempre en la posición FAST (rápido; representado por una liebre).

Control del obturador

En algunos modelos, si se lleva la palanca del regulador totalmente hacia adelante, se activa el control del obturador del motor. En todos los otros modelos, el control del obturador puede encontrarse en el lado izquierdo del panel de instrumentos, y se activa tirando la perilla hacia afuera. Al activar el control del obturador se cierra la placa del obturador del carburador y esto ayuda a arrancar el motor. Consulte Arranque del Motor en la sección Funcionamiento de este manual para ver instrucciones de arranque en detalle.



Interruptor de encendido

Su nuevo tractor corta césped tendrá uno de los siguientes interruptores de encendido. Use la Figura 4-3 para identificar qué interruptor utiliza su máquina y siga estas instrucciones para un funcionamiento adecuado.

Interruptor de encendido de 3 posiciones

El interruptor de encendido se activa para arrancar el motor. Inserte la llave en el interruptor de encendido y gire en el sentido de las agujas del reloj a la posición START (arranque). Suelte la llave en la posición ON (encendido) una vez que haya arrancado el motor. Vea la Fig. 4-3A. El motor funcionará con los faros delanteros encendidos.

Para detener el motor, gire la llave de encendido en sentido contrario a las agujas del reloj hasta la posición OFF (apagado). Vea la Fig. 4-3A.

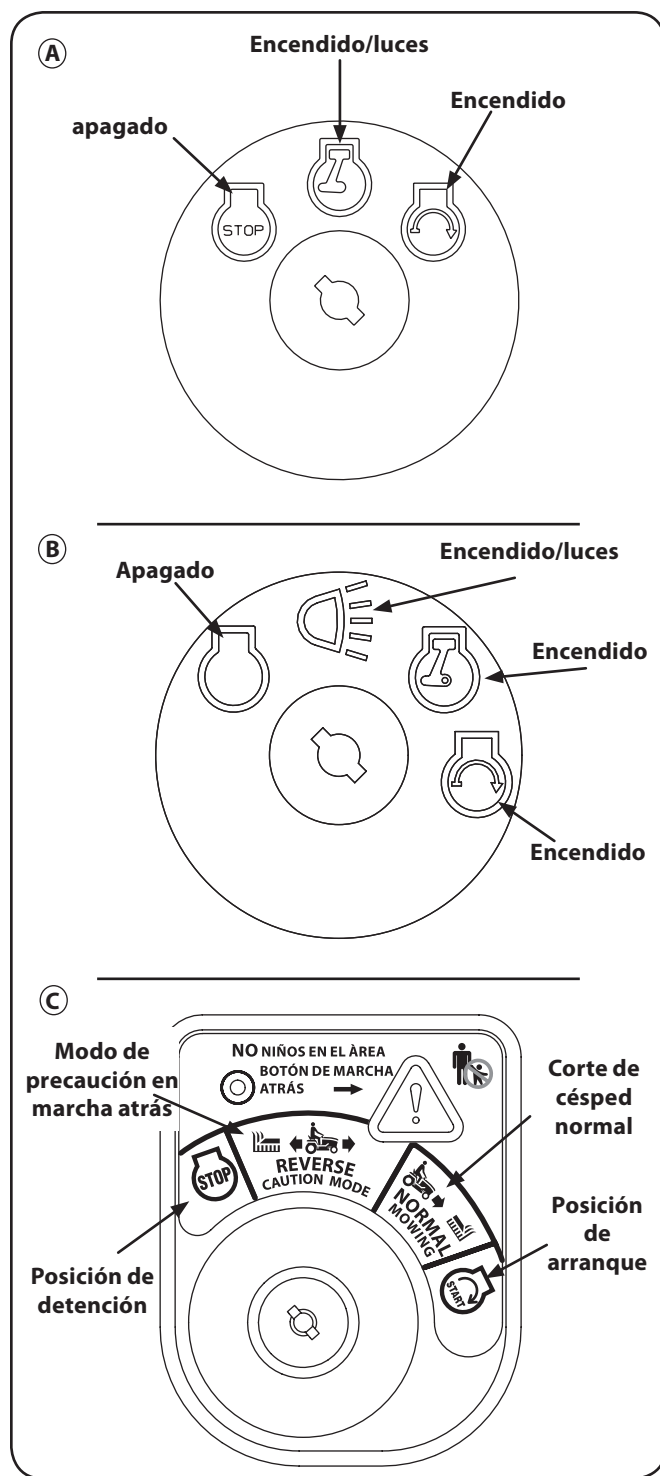


Figura 4-3

Interruptor de encendido de 4 posiciones

El interruptor de encendido se activa para arrancar el motor. Inserte la llave en el interruptor de encendido y gire en el sentido de las agujas del reloj a la posición START (arranque). Suelte la llave en la posición ON (encendido) una vez que haya arrancado el motor. Vea la Fig. 4-3B. En esta posición el motor funcionará con los faros delanteros encendidos. Para activar los faros delanteros, gire la llave una posición más a la izquierda. El motor seguirá funcionando con los faros delanteros encendidos.

Para detener el motor, gire la llave de encendido en sentido contrario a las agujas del reloj hasta la posición OFF (apagado). Vea la Fig. 4-3B.

Módulo del interruptor de encendido

Para encender el motor, inserte la llave en el interruptor de encendido y gírela en el sentido de las agujas del reloj hacia la posición START (encendido). Suelte la llave en la posición MODO NORMAL DE CORTE una vez que haya arrancado el motor. Los faros delanteros se activarán en modo Normal (y en los modos de precaución de marcha atrás).

Para detener el motor, gire la llave de encendido en sentido contrario a las agujas del reloj hasta la posición OFF (apagado). Vea la Fig. 4-3C.



¡ADVERTENCIA! Nunca deje la máquina en funcionamiento sin vigilancia. Corte siempre la potencia de arranque (PTO), mueva la palanca de cambios a la posición neutral, coloque el freno de mano, apague el motor y retire la llave, para evitar que alguien encienda accidentalmente el motor.

IMPORTANTE: Antes de operar el tractor, consulte Interruptores de Bloqueo de Seguridad y Arranque del Motor en la sección Funcionamiento de este manual para ver instrucciones detalladas del Módulo del Interruptor de Encendido y del funcionamiento del tractor en el MODO PRECAUCIÓN MARCHA ATRÁS.

Pedal de freno-embrague

El pedal del embrague-freno está ubicado del lado izquierdo del tractor corta césped, a lo largo del estribo. Presione el pedal del embrague-freno parcialmente hacia abajo cuando disminuya la velocidad del tractor cambiando de marchas (Consulte la sección *Palanca de control de velocidad*). Presione el pedal totalmente hacia abajo para colocar el freno de disco y hacer que el tractor se detenga por completo.

NOTA: Para encender el motor se debe presionar el pedal. Consulte Interruptores de Bloqueo de Seguridad en la sección Funcionamiento de este manual.

Freno de mano

Para colocar el freno de mano, presione a fondo el pedal del embrague-freno. Mueva la palanca de control de velocidad totalmente hacia abajo en la posición de freno de mano. Suelte el pedal del embrague-freno para permitir que el freno de mano engrane.

Para soltar el freno de mano, presione el pedal del embrague-freno, saque la palanca de control de velocidad de las muescas y llévela a la posición deseada. Suelte la palanca de control de velocidad y el pedal del embrague-freno.

NOTA: Si el operador abandona el asiento y deja el motor funcionando, deberá colocar el freno de mano, o el motor se apagará de forma automática.

Palanca de cambios

La palanca de cambios está ubicada del lado izquierdo del guardabarros y tiene tres posiciones, MARCHA DIRECTA, NEUTRAL Y MARCHA ATRÁS. Cuando mueva la palanca de cambios, el pedal debe estar presionado y el tractor **no debe estar en movimiento**. Vea la Fig. 4-4.

IMPORTANTE: Nunca fuerce la palanca de cambios. De hacerlo, puede dañarse seriamente la transmisión del tractor.

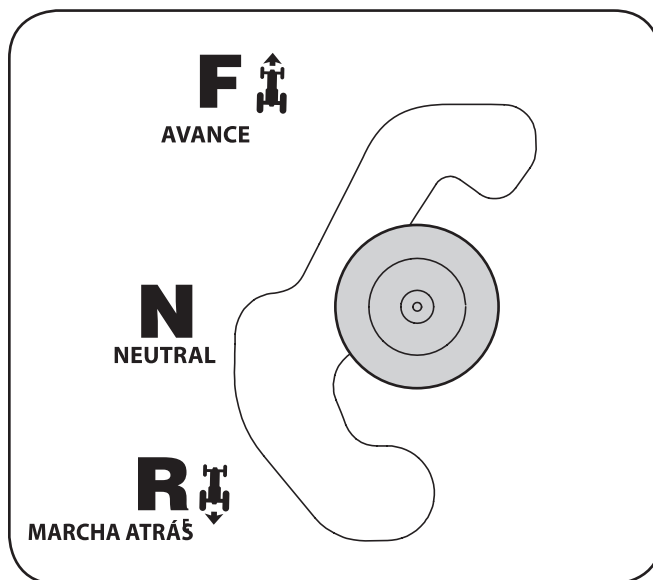


Figura 4-4

Palanca de control de velocidad

La palanca de control de velocidad, ubicada del lado izquierdo del tablero de instrumentos del tractor, le permite regular la velocidad absoluta del tractor corta césped. Para utilizarla, presione el pedal del embrague-freno, saque la palanca de la muesca del freno de mano y llévela hacia adelante para aumentar la velocidad absoluta del tractor. Cuando haya alcanzado la velocidad deseada, suelte la palanca en la muesca adecuada para mantener esa velocidad.

Para reducir la velocidad absoluta del tractor, presione el pedal del embrague-freno, lleve la palanca de control de velocidad hacia atrás y suéltela dentro de una muesca.

NOTA: Los tractores corta césped varían según el modelo y están disponibles con una palanca de control de 6 ó 7 velocidades.

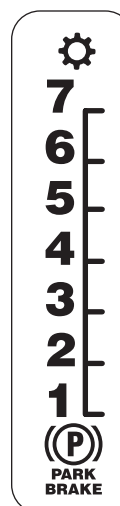
Palanca de potencia de arranque (PTO) (enganche de cuchilla)

Ubicada en el guardabarros derecho del tractor, la palanca de toma de fuerza (PTO) (*enganche de cuchilla*) se utiliza para dar alimentación a la plataforma de corte o a otros *aditamentos (disponibles por separado)*. Para hacerla funcionar, mueva la palanca totalmente hacia adelante. Moviendo la palanca totalmente hacia atrás, en la posición PTO OFF (potencia de arranque desconectada), se corta la energía a la plataforma de corte/aditamento.

NOTA: Al encender el motor, la palanca PTO (*enganche de cuchilla*) debe encontrarse en posición desconectada (OFF).

Palanca de elevación de la plataforma

Ubicada en el guardabarros derecho del tractor, la palanca de elevación de la plataforma se utiliza para cambiar la altura de la plataforma de corte. Para utilizarla, mueva la palanca hacia la izquierda, luego colóquela en la muesca que mejor se adapte a la aplicación deseada.



MANTENIMIENTO



¡ADVERTENCIA! Antes de realizar tareas de mantenimiento o reparaciones, desconecte la potencia de arranque (PTO), mueva la palanca de cambios a la posición neutral, coloque el freno de mano, apague el motor y retire la llave, para evitar el encendido accidental del motor.

Motor

Consulte las instrucciones de mantenimiento del motor en el Manual del propietario/operador del motor .

Controle el nivel de aceite del motor antes de cada uso como se indica en el Manual del Motor del Propietario/ Operador que viene embalado con la unidad. Siga las instrucciones con atención.

Cambio del aceite del motor

Para drenar el aceite del cárter de motor de ciertos modelos de tractores, se adjunta una manga de plástico para drenado de aceite junto con este Manual del Operador. Para drenar el aceite, proceda de la siguiente manera:

1. Desenrosque el tapón de llenado de aceite y extraiga la varilla de nivel de aceite del tubo de llenado.
2. Coloque el extremo pequeño de la manga de drenado en el cárter de aceite. Vea la Fig. 6-1.

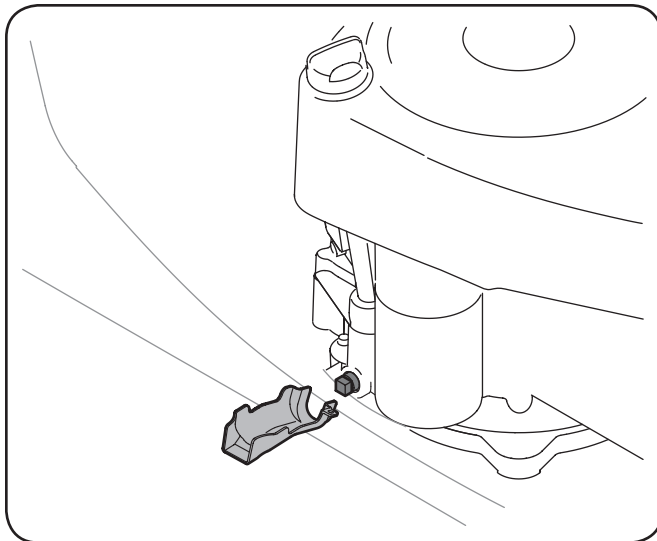


Figura 6-1

3. Extraiga el tapón de drenado y vacíe el aceite en un contenedor apropiado, con una capacidad no menor a 64 oz.
4. Realice el mantenimiento del filtro de aceite (*si la unidad está equipada con uno*), tal como se indica en el Manual del Motor del Propietario/ Operador que viene embalado con la unidad.

Realice los pasos mencionados antes en orden inverso después de terminar el drenaje de aceite.

5. Cargue aceite nuevo en el motor, tal como se indica en el Manual del Motor del Propietario /Operador que viene embalado con su máquina.

NOTA: Consulte el Manual del Motor Propietario/ Operador que viene embalado con su unidad, para obtener información sobre la cantidad y la viscosidad adecuadas del aceite del motor.

Depurador de aire

Realice el mantenimiento del pre-filtro, en caso de estar instalado y del elemento de filtro de aire/cartucho, según las instrucciones del Manual del propietario/operador del motor que se entrega junto con la unidad.

Bujía de encendido

Se debe limpiar la bujía y reajustar la separación una vez por temporada. Se recomienda reemplazar la bujía al comienzo de cada temporada de corte de césped. Consulte el manual del Motor del Propietario/ Operador para obtener especificaciones sobre el tipo de bujía y la separación disruptiva adecuada.

Lubricación



¡ADVERTENCIA! Antes de realizar tareas de lubricación, reparación o inspección, siempre desconecte la potencia de arranque (PTO), mueva la palanca de cambios a la posición neutral, coloque el freno de mano, apague el motor y retire la llave, para evitar que alguien encienda accidentalmente el motor.

Motor

Lubrique el motor con aceite de motor según las instrucciones del Manual del propietario del motor que se entrega junto con la unidad.

Puntos de pivote y varillaje

Lubrique todos los puntos de pivote del sistema de impulsión, el freno de mano y el varillaje de elevación al menos una vez por temporada con aceite ligero.

Ruedas traseras

Las ruedas traseras se deben sacar de los ejes una vez por temporada. Lubrique bien los ejes y las llantas con una grasa todo uso antes de reinstalarlos.

Ejes delanteros

Cada extremo de la barra de pivote delantera del tractor puede estar equipado con un accesorio de engrasado. Lubrique con pistola de grasa cada 25 horas de funcionamiento del tractor.

Batería

La batería está sellada y no necesita mantenimiento. Los niveles de ácido no se pueden controlar.

- Siempre mantenga limpios y libres de acumulación de elementos corrosivos los cables y los bornes de la batería.
- Después de limpiar la batería y los bornes, aplique una capa delgada de vaselina o grasa a ambos bornes.
- Siempre mantenga los capuchones de goma colocados sobre el borne positivo para prevenir un cortocircuito.

IMPORTANTE: Si por alguna razón extrae la batería, desconecte primero el cable NEGATIVO (negro) de su borne y a continuación el cable POSITIVO (rojo). Cuando vuelva a instalar la batería, conecte siempre primero el cable POSITIVO (rojo) a su borne, y a continuación el cable NEGATIVO (negro). Asegúrese de que los cables estén conectados a los terminales correctos, ya que si los cambia se podría invertir la polaridad y provocar un daño al sistema alternador del motor.

Limpieza de la batería

Limpie la batería retirándola del tractor y lavándola con bicarbonato de sodio y solución de agua. Si es necesario, raspe los bornes de la batería con un cepillo de alambre para quitar los depósitos. Cubra los bornes y los cables expuestos con grasa o vaselina para prevenir la corrosión.

Desperfectos de la batería

Algunas causas comunes de falla de la batería son:

- Activación inicial incorrecta
- Sobrecarga
- Congelamiento
- Carga insuficiente
- Corrosión en las conexiones

Estas fallas NO están cubiertas por la garantía del tractor.

Limpieza del motor y de la plataforma

Si se derrama combustible o aceite sobre la máquina, debe limpiarse de inmediato. NO permita que se acumulen desechos alrededor de las aletas de refrigeración del motor ni en ninguna otra parte de la máquina.

IMPORTANTE: NO se recomienda el uso de una lavadora de presión para limpiar el tractor. Puede dañar los componentes eléctricos, los husillos, las poleas, los rodamientos o el motor.

En la superficie de la plataforma de su tractor hay un conector hexagonal. Vea la Fig. 6-2.

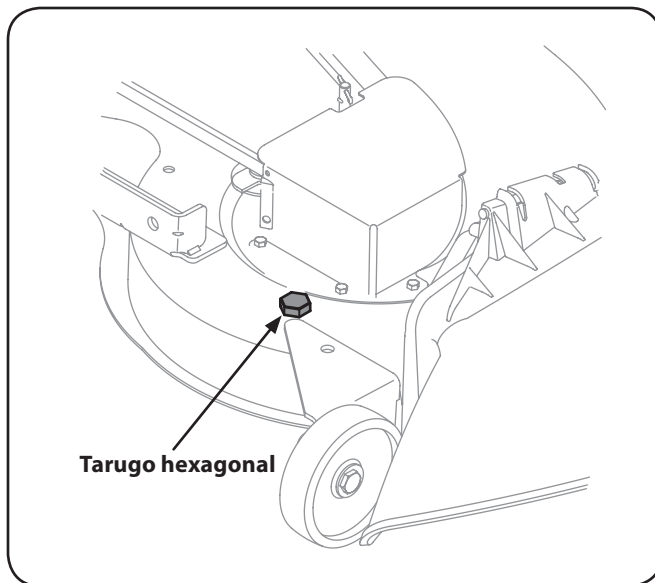


Figura 6-2

Este tarugo se puede reemplazar por un puerto de agua a ser usado como parte de un sistema de lavado de la plataforma disponible por separado.

El sistema Deck Wash System™ se usa para lavar la parte de abajo de la plataforma y quitar los recortes de césped e impedir la acumulación de sustancias químicas corrosivas.

NOTA: Consulte la sección Aditamentos y Accesorios de este manual para obtener información sobre éste y otros aditamentos y accesorios disponibles por separado para su tractor.

Deck Wash System™

Si la plataforma de su tractor está equipada con un puerto de agua en su superficie, como parte de su sistema Deck Wash System™, siga estas instrucciones para utilizar este dispositivo. Utilice el sistema Deck Wash System™ para lavar la parte inferior de la plataforma y quitar los restos de césped recortado e impedir la acumulación de sustancias químicas corrosivas. Realice los siguientes pasos DESPUÉS DE CADA CORTE DE CÉSPED:

1. Dirija el tractor a una zona nivelada y despejada del césped, que se encuentre suficientemente cerca de una canilla de agua al alcance de la manguera del jardín.



PRECAUCIÓN: Asegúrese de que el canal de descarga del tractor NO ESTÉ ORIENTADO en la dirección en que se encuentran la casa, el garaje, los vehículos estacionados, etc.

2. Desconecte la potencia de arranque (*enganche de cuchilla*), coloque el freno de mano y detenga el motor.
3. Enrosque el acople de manguera (*embalado con el Manual del Operador de su tractor*) en el extremo de la manguera de jardín.
4. Una el acople de la manguera al puerto de agua que se encuentra en la superficie de la plataforma. Vea la Fig. 6-3.
5. Abra el suministro de agua.

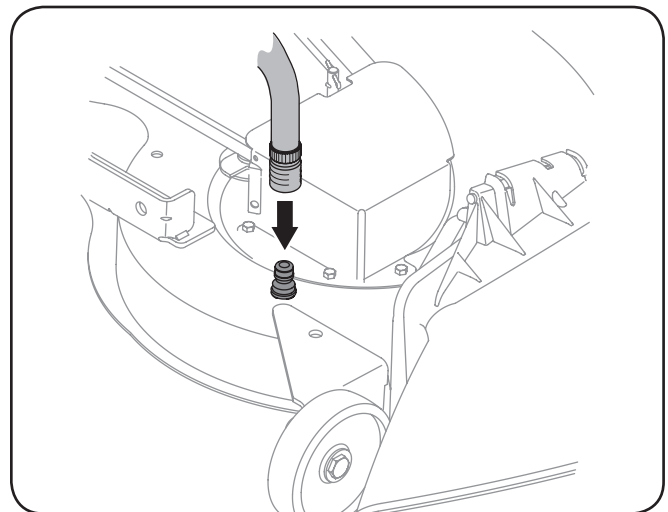


Figura 6-3

6. Mientras está sentado en la posición del operador del tractor, vuelva a arrancar el motor y coloque la palanca del regulador en la posición VELOCIDAD RÁPIDA (FAST, representado por una liebre).
7. Mueva la potencia de arranque (*enganche de cuchilla*) del tractor a la posición ON (conectada).
8. Permanezca en la posición del operador con la plataforma de corte enganchada durante dos minutos como mínimo, permitiendo que el lado inferior de la plataforma de corte se lave a fondo.
9. Mueva la potencia de arranque (*enganche de cuchilla*) del tractor a la posición OFF (desconectada).
10. Gire la llave de encendido a la posición STOP (detención) para apagar el motor del tractor.
11. Desconecte el agua y retire el acoplador de la manguera desde el puerto de agua que se encuentra en la superficie de la plataforma.
12. En las plataformas de 46", repita los pasos 4 a 11 del lado opuesto de la plataforma de corte.

IMPORTANTE: Después de limpiar la plataforma con el sistema Deck Wash System™, regrese a la posición del operador y enganche la potencia de arranque (PTO). Mantenga la plataforma de corte en funcionamiento durante dos minutos por lo menos para permitir que se seque totalmente el lado inferior de la misma.

Ajustes



¡ADVERTENCIA! Nunca intente realizar algún tipo de ajuste mientras el motor está encendido, excepto los ajustes especificados en el manual del operador.

Nivelación de la plataforma

NOTA: Controle la presión de neumáticos del tractor antes de realizar cualquier nivelación de la plataforma. Consulte Neumáticos en la sección Servicio de este manual para obtener información sobre la presión de neumáticos.

Nivelación frontal-posterior

El frente de la plataforma de corte está sostenido por una barra estabilizadora que se puede ajustar para nivelar la plataforma desde la parte frontal hacia la parte posterior. La parte frontal de la plataforma debe estar entre 1/4 de pulgada y 3/8 de pulgada más abajo que la parte posterior. De ser necesario, realice un ajuste de la siguiente manera:

1. Con el tractor estacionado sobre una superficie firme y nivelada, coloque la palanca de elevación de la plataforma en la muesca superior (posición más alta) y rote la cuchilla lo más cerca posible del canal de descarga para que quede paralela al tractor.
2. Mida la distancia desde la parte delantera de la punta de la cuchilla hasta el piso, y desde la parte posterior de la punta de la cuchilla hasta el piso. La primera medición tomada debe estar entre 1/4" y 3/8" menos que la segunda medición. Determine la distancia aproximada necesaria para un ajuste adecuado y, de ser necesario, siga con el paso siguiente.
3. Localice la contratuerca y la tuerca de seguridad que se encuentran en la parte delantera de la ménsula estabilizadora. Vea la Fig. 6-4. Después de aflojar la contratuerca:

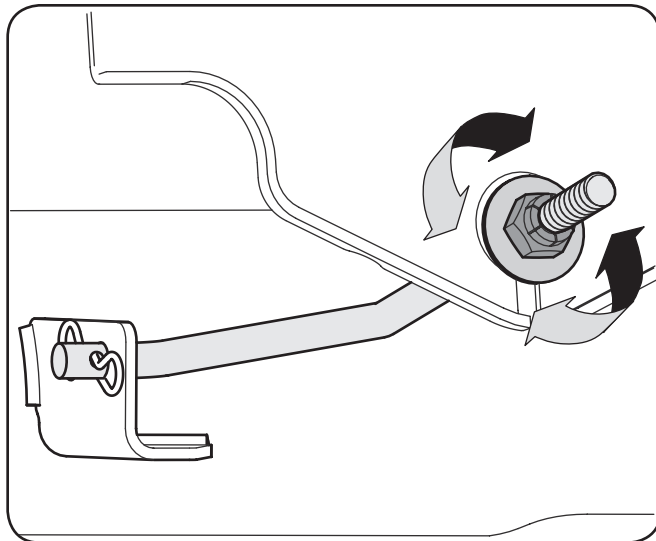


Figura 6-4

Apriete la tuerca de seguridad para levantar la parte frontal de la plataforma;

Afloje la tuerca de seguridad para bajar la parte frontal de la plataforma;

4. Una vez alcanzado el ajuste adecuado, vuelva a ajustar la contratuerca que aflojó anteriormente.

Nivelación lado a lado

Si la plataforma de corte estuviera realizando el corte de césped de forma despereja, puede realizarse un ajuste lado a lado. De ser necesario, realice un ajuste de la siguiente manera:

1. Con el tractor estacionado sobre una superficie firme y nivelada, coloque la palanca de elevación de la plataforma en la muesca superior (*posición más alta*) y rote ambas cuchillas para que se sitúen de forma perpendicular al tractor.
2. Mida la distancia desde la parte externa de la punta de la cuchilla izquierda hasta el piso, y desde la parte externa de la punta de la cuchilla derecha hasta el piso. Las dos mediciones obtenidas deben ser iguales. Si no lo son, realice el siguiente paso.
3. Afloje, pero NO extraiga, el tornillo de cabeza hexagonal ubicado en la ménsula de suspensión izquierda de la plataforma. Vea la Fig. 6-5.

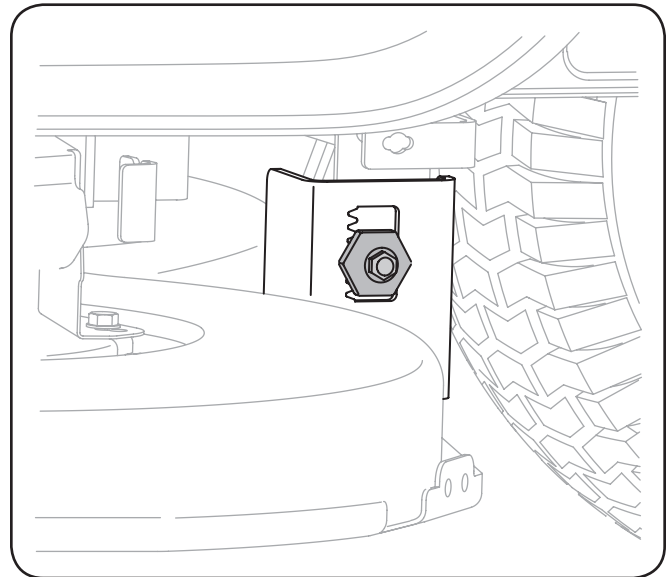


Figura 6-5

4. Nivele la plataforma con una llave para girar el engranaje de ajuste (*el cual se encuentra inmediatamente detrás del tornillo hexagonal que se acaba de aflojar*) en el sentido de las agujas del reloj para subirla o en sentido contrario a las agujas del reloj para bajarla. La plataforma se encuentra correctamente nivelada cuando las dos mediciones tomadas antes a las puntas de las cuchillas son iguales.
5. Una vez alcanzado el ajuste necesario, vuelva a ajustar el tornillo de cabeza hexagonal de la ménsula de suspensión izquierda de la plataforma.

Ajuste del asiento

Consulte la sección Configuración y Montaje de este manual para ver instrucciones para el ajuste del asiento.

Ajuste del freno de mano



¡ADVERTENCIA! Nunca intente ajustar los frenos con el motor en marcha. Desenganche siempre la potencia de arranque (PTO), mueva la palanca de cambios a la posición neutral, apague el motor y retire la llave, para evitar que alguien encienda accidentalmente el motor.

Si el tractor no se detiene por completo cuando se presiona totalmente el pedal de freno, o si las ruedas traseras del tractor siguen rodando con el freno de mano colocado, el freno necesita ajustes. Consulte con su distribuidor de servicio MTD autorizado para realizar un ajuste correcto del freno.

Calendario de mantenimiento

	Antes de cada uso	Cada 10 horas	Cada 25 horas	Cada 50 horas	Cada 100 horas	Antes de almacenar
Limpie el capó/los respiraderos		✓				✓
Inspeccione el nivel de aceite del motor	✓	✓				
Controle el filtro de aire para ver si hay piezas sucias, sueltas o dañadas	✓					
Limpie y vuelva a lubricar el depurador de espuma del filtro de aire			✓			
Reemplace el elemento del filtro de aire					✓	
Cambie el aceite del motor y reemplace el filtro de aceite				✓		
Limpie los bornes de la batería		✓				✓
Lubrique los ejes frontales y las llantas			✓			✓
Limpie las aletas de refrigeración del motor			✓			✓
Lubrique los puntos de pivote del pedal		✓				✓
Inspeccione la condición de las bujías de encendido y la separación					✓	✓
Reemplace el filtro de combustible					✓	

NOTA: Este Manual del operador cubre una gama de especificaciones de productos de varios modelos. Las características y funciones incluidas y/o ilustradas en este manual pueden no ser aplicables a todos los modelos. MTD LLC se reserva el derecho de modificar las especificaciones de los productos, los diseños y el equipo sin previo aviso y sin generar responsabilidad por obligaciones de ningún tipo.

IMPORTANTE: Como este manual cubre una gama de diversos modelos de tractor, es importante consultar el manual del operador del motor específico que se incluye con esta máquina para ver los procedimientos e intervalos de mantenimiento detallados del motor.

Extracción de la plataforma de corte

NOTA: Los modelos equipados con plataforma de 38 pulgadas tienen una polea loca de plataforma. Los modelos equipados con plataforma de 42 y de 46 pulgadas tienen dos poleas locas de plataforma.

Para extraer la plataforma de corte, proceda de la siguiente manera:

1. Coloque la toma de fuerza (PTO) (*enganche de cuchilla*) en la posición OFF (desconectada) y coloque el freno de mano.
2. Baje la plataforma colocando la palanca de elevación de la plataforma dentro de la muesca inferior en el guardabarros derecho.
3. Quite la vara de encargamiento de cinturón, de alrededor de la polea de motor del tractor, quitando el tornillo de autogolpeado (A) que lo asegura. Ver el Higo 7-1.

Note: Haga una nota mental en que agujero el otro final de la vara de encargamiento de cinturón es insertado para objetivos de nueva instalación.

4. Retire la correa (C) de alrededor de la polea del motor del

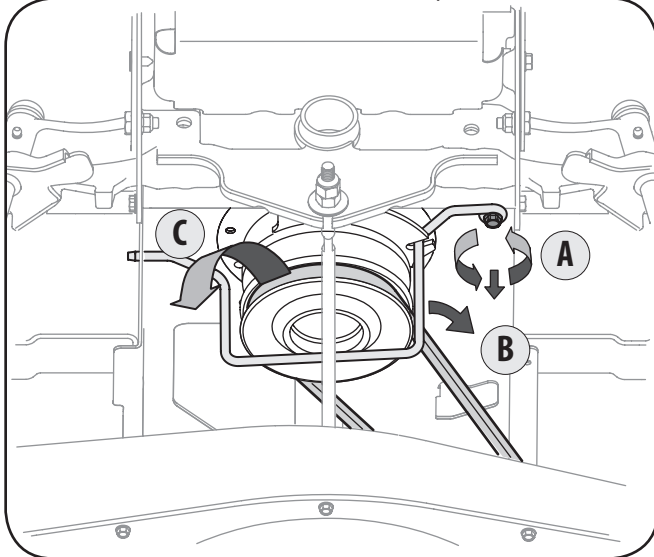


Figura 7-1

tractor y de la(s) polea(s) loca(s).

NOTA: El 42 "Cubiertas: Si hay demasiada tensión en la correa para que pueda ser fácilmente eliminado de la toma de fuerza del embrague eléctrico, inserte un 3 / 8" disco llave de trinquete (juego para soltar) en el agujero cuadrado en el soporte de la cubierta y ocioso pivote hacia el lado izquierdo del tractor para aliviar la tensión en la correa. Véase la figura. 7-2.



¡ADVERTENCIA! Evite las lesiones pellizcos. Nunca coloque sus dedos en la primavera ocioso o entre la correa y una polea, mientras se quita el cinturón.

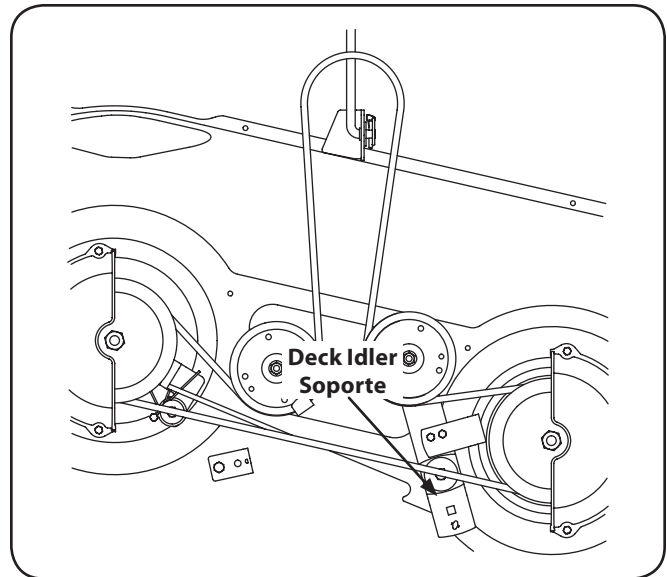


Figura 7-2

5. El 38 "Cubiertas: En cuanto a la plataforma de corte desde el lado izquierdo del tractor, busque el pasador que sujeta la vara de apoyo de cubierta en la parte trasera izquierda de la cubierta. Véase la figura. 7-3. Quite la chaveta que sujeta la vara de apoyo de cubierta, y retirar con cuidado el apoyo de la cubierta de los brazos de elevación de la cubierta.

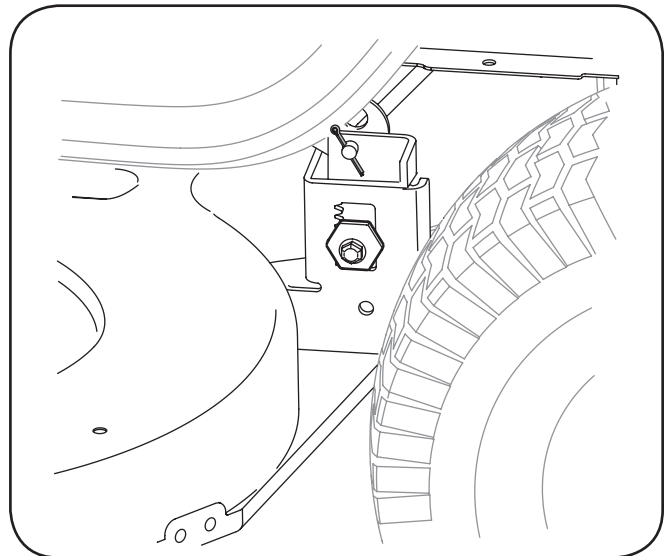


Figura 7-3

6. Repita los pasos anteriores del lado derecho del tractor.

NOTA: La varilla de soporte de la plataforma que se encuentra del lado derecho del tractor se fija con una abrazadera de horquilla en lugar de usar un pasador de chaveta; como habrá podido advertir, éste último se usó del lado izquierdo. Esto es normal y se debe volver a instalar cada uno de la misma forma que se lo extrajo.

- En 42 " & 46" Cubiertas: En cuanto a la plataforma de corte desde el lado izquierdo del tractor, busque el PIN de asistencia cubierta en la parte trasera izquierda de la cubierta. Tire de la cubierta de apoyo pin hacia afuera para abrir la cubierta de los brazos de elevación de la cubierta. Véase la figura. 7-4.

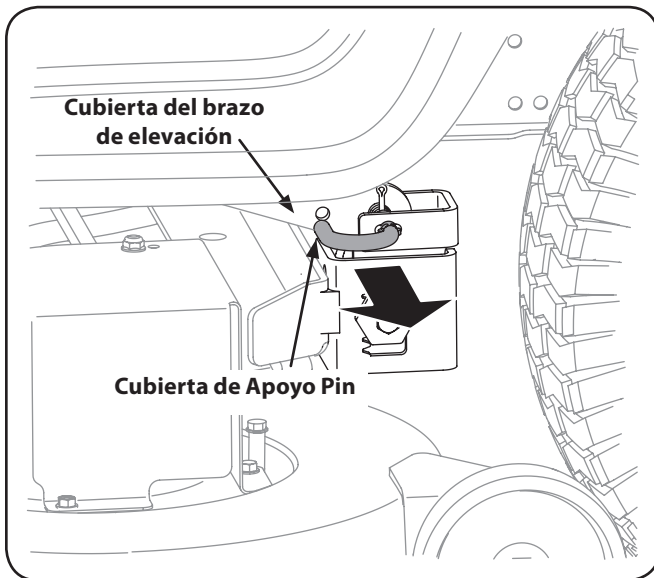


Figure 7-4

- Repita los pasos anteriores en el lado derecho del tractor.
- En todas las cubiertas: Mover la palanca de elevación en la cubierta de primera clase en el guardabarros derecho a plantear la cubierta de levantar los brazos hacia arriba y fuera del camino.
- El 38 "Cubiertas: Deslice suavemente la cubierta de corte hacia la parte delantera del tractor cuidadosamente rectores de los ganchos de la cubierta fuera de la barra estabilizadora de la cubierta.
- El 42 " & 46" Cubiertas: Retire la pajarita chaveta garantizar la barra estabilizadora de cubierta a cubierta. Deslice la barra de levantar la cubierta de la soldadura de montaje en la cubierta como se ve en la figura. 7-5.

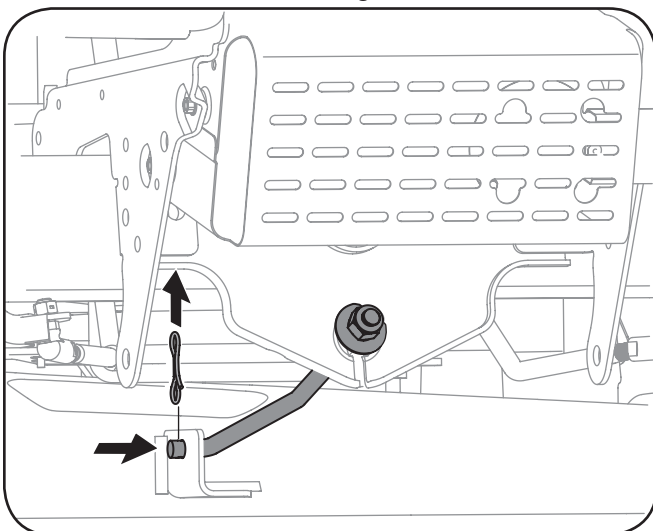


Figure 7-5

- Retire con cuidado el cable de toma de fuerza de la parte trasera de la plataforma de corte al eliminar el clip de horquilla que lo sujeta. Retire el muelle del soporte rueda loca de la cubierta. Véase la figura. 7-6 en la página siguiente.

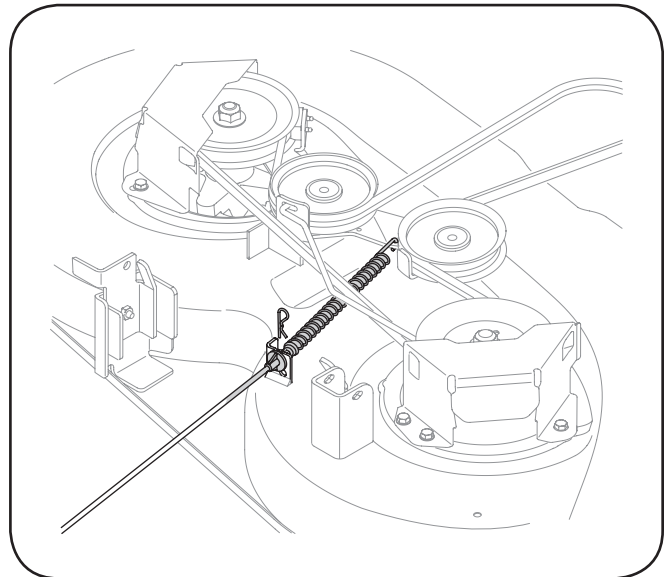


Figure 7-6

- Deslice suavemente la plataforma de corte (de la izquierda) la parte de debajo del tractor.

Neumáticos



¡ADVERTENCIA! Nunca exceda la presión máxima de inflado que se indica en los laterales de los neumáticos.

La presión operativa recomendada para los neumáticos es:

- Aproximadamente 10 psi para los neumáticos traseros
- Aproximadamente 14 psi para los neumáticos delanteros

¡IMPORTANTE! Consulte los laterales de los neumáticos para conocer con exactitud la presión máxima en psi recomendada por el fabricante. No los infle en exceso. Una presión de neumáticos despareja podría hacer que la plataforma corte el césped en forma desigual.

Batería



¡ADVERTENCIA PROPOSICIÓN 65 DE CALIFORNIA!

Los bornes de la batería y los accesorios afines contienen plomo y compuestos de plomo, sustancias químicas que según lo establecido por el Estado de California causan cáncer y daños en el sistema reproductivo. Lávese las manos después de estar en contacto con estos componentes.



PRECAUCIÓN: Si extrae la batería, desconecte primero el cable NEGATIVO (negro) de su borne y a continuación el cable POSITIVO (rojo). Cuando vuelva a instalar la batería, conecte siempre primero el cable POSITIVO (rojo) a su borne, y a continuación el cable NEGATIVO (negro).

Arranque por medio de conexión en puente



¡ADVERTENCIA! Nunca arranque una batería dañada o congelada con conexiones en puente. Asegúrese de que los vehículos no se toquen y los encendidos están apagados. No permite que las abrazaderas de los cables se toquen.

1. Conecte el cable positivo (+) al borne positivo (+) de la batería descargada de su tractor.
2. Conecte el otro extremo del cable al borne positivo (+) de la batería con el puente conector.
3. Conecte el segundo cable negativo (-) al otro borne de la batería con el puente conector.
4. Realice la conexión final en el bloque del motor del tractor, lejos de la batería. Acople a una parte sin pintura para asegurarse de que haya una buena conexión.



PRECAUCIÓN: Si la batería con el puente conector está instalada en el vehículo (es decir automóvil, camión) NO ponga en marcha el motor del vehículo cuando arranque su tractor con el conector puente.

5. Arranque el tractor (según las instrucciones de la sección Funcionamiento de este manual).
6. Coloque el freno de mano del tractor antes de sacar los cables de conexión en puente, en orden inverso de conexión.

CARGA



¡ADVERTENCIA! Al cargarse, las baterías emiten un gas que puede causar explosiones. Cargue la batería en un área bien ventilada y aléjela de una llama abierta o luz piloto, como por ejemplo calentadores de agua, calefactores de ambiente, hornos, secadores de ropa u otros aparatos a gas.



PRECAUCIÓN: Cuando cargue la batería de su tractor, utilice únicamente un cargador diseñado para baterías de plomo-ácido de 12V. Lea el Manual del Operador del cargador de la batería antes de cargar la batería de su tractor. Siempre siga las instrucciones y tenga en cuenta las advertencias.

Si su tractor no se ha utilizado durante un período de tiempo prolongado, cargue la batería de la siguiente manera:

1. Ajuste el cargador de batería para que produzca un máximo de 10 amperes.

Si el cargador de su batería es automático, cargue la batería hasta que el cargador indique que se ha completado la carga. Si el cargador no es automático, cargue por ocho horas como mínimo.

Fusible

En el mazo de cables de su tractor hay instalado un fusible de 20 amperes, para proteger el sistema eléctrico del tractor de los daños causados por exceso de amperaje.

Si el sistema eléctrico no funciona, o el motor de su tractor no arranca, verifique primero que el fusible no se haya quemado. Lo puede encontrar en la parte trasera de la unidad, debajo del guardabarros ubicado junto a la batería.



¡ADVERTENCIA! Para el reemplazo utilice siempre un fusible que posea la misma capacidad de amperaje.

Cuchillas de corte



¡ADVERTENCIA! Antes de extraer la(s) cuchilla(s) para afilarla(s) o reemplazarla(s), asegúrese de apagar el motor, retirar la llave de encendido, desconectar el(los) cable(s) de la bujía y hacer masa contra el motor para impedir el encendido accidental del motor. Proteja sus manos utilizando guantes pesados o un paño para asir la cuchilla de corte.



¡ADVERTENCIA! Inspeccione periódicamente los adaptadores de las cuchillas en busca de rajaduras o daños, especialmente cuando golpee un objeto extraño. Reemplace de inmediato si está dañado.

Las cuchillas se pueden extraer de la siguiente manera.

1. Extraiga la plataforma de la parte inferior del tractor, (*consulte la sección Extracción de la plataforma de corte en partes anteriores de esta sección*); luego voltee con delicadeza la plataforma para dejar al descubierto su parte inferior.
2. Coloque un bloque de madera entre el deflector del alojamiento central de la plataforma y la cuchilla de corte, para que actúe como estabilizador. Vea la Fig. 7-7.
3. Extraiga la tuerca de brida hexagonal que asegura la cuchilla al montaje del husillo. Vea la Fig. 7-7.

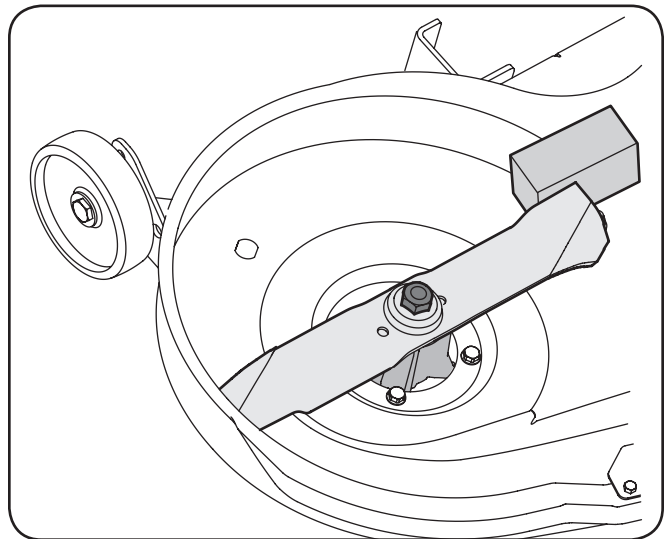


Figura 7-7

4. Para afinar correctamente las hojas de corte, retire la misma cantidad de metal de ambos extremos de las hojas a lo largo de los bordes de corte, paralelo al borde de fuga, en un 25° - 30° de ángulo. Siempre moler cada filo de la cuchilla de corte por igual a mantener el equilibrio de la hoja adecuada. Véase la figura. 7-8.



PRECAUCIÓN: Si el filo de la hoja ha sido previamente afilado, o si cualquier separación de metal está presente, sustituir las hojas por otras nuevas.



¡ADVERTENCIA! Una hoja mal equilibrada causará excesiva vibración, pueden dañar al tractor y / o resultar en lesiones personales. Es importante que cada borde de la cuchilla de corte sea pulido por igual para mantener el equilibrio adecuado de la cuchilla.

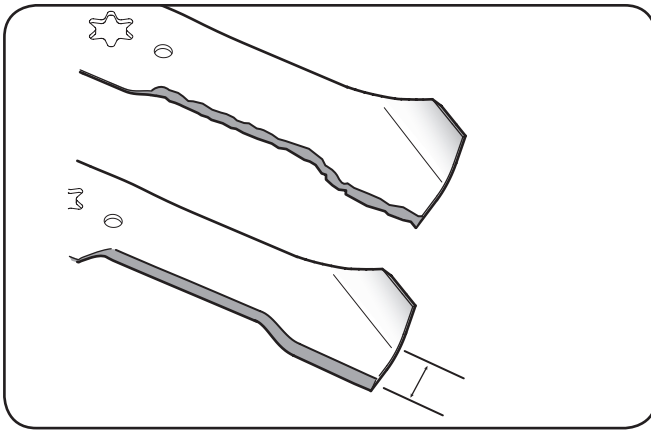


Figura 7-8

5. Pruebe el equilibrio de la lámina usando una lámina balancer. Muela el metal del lado pesado hasta que esto equilibre regularmente.

NOTA: Cuando tenga que reemplazar la hoja, asegúrese de instalar la hoja con la cara de la hoja marcada "fondo" (o con un número estampado en él) frente a la tierra cuando el cortacésped se encuentra en la posición de funcionamiento.



PRECAUCIÓN: Use una llave de par para apretar la tuerca de husillo de la hoja brida hexagonal a entre 70 libras-pie y 90 libras-pie.

Cambio de la correa de la plataforma



¡ADVERTENCIA! Asegúrese de apagar el motor, retirar la llave de encendido y desconectar el (los) cable(s) de bujía y masa del motor para evitar el arranque accidental del mismo antes de retirar la correa.



¡ADVERTENCIA! Todas las correas del tractor están sujetas a desgaste y se las debe cambiar si se presentan signos de desgaste.

IMPORTANTE: Las correas en V del tractor están diseñadas especialmente para que se engranen y desengranen sin riesgos. El uso de una correa en V sustituta (*que no sea del fabricante del equipo original*) puede resultar peligroso si la misma no se desengrana completamente. Para que la máquina funcione correctamente, use correas aprobadas por el fabricante.

Para 38" Decks

Para cambiar o reemplazar la correa de la plataforma de su tractor, proceda de la siguiente manera:

1. Bajo la cubierta moviendo la palanca de elevación de cubierta en la muesca en la parte inferior del guardabarros derecho.
2. Retire el cinturón por los guardias de la eliminación de la auto-tornillos que sujetan a la cubierta.
3. Retire la varilla de poseedor de cinturón alrededor de la polea del motor.



¡ADVERTENCIA! Evite la posibilidad de lesiones por compresión. Al extraer la correa, cuide de no colocar sus dedos en el resorte intermedio o entre la correa y una polea.

5. Retire la cinta de la cubierta de alrededor de todas las poleas, incluida la polea tensora de la cubierta.
6. Ruta de la correa nueva y como se muestra en la figura. 7-10.
7. Volver a montar la cinta de los guardias de retirarse antes.

Para 42" & 46" Decks

Para cambiar o sustituir la cinta de la cubierta en su tractor, haga lo siguiente:

1. Quite la cubierta como se indica anteriormente en esta sección.
2. Retire la cinta cubre quitando los tornillos hexagonales que sujetan lavadora a la cubierta. Véase la figura. 7-9.
3. También puede ser necesario aflojar la tuerca hexagonal de la polea tensora a la izquierda para obtener el cinturón alrededor de la polea y el protector de la correa.
4. Retire con cuidado la cinta de cubierta de alrededor de las dos poleas del husillo y las dos poleas polea tensora de la cubierta. Véase la figura. 7-9.

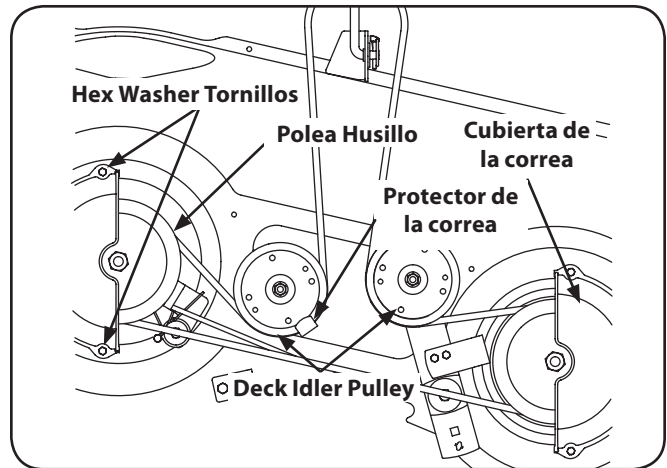


Figura 7-9

5. Para colocar la correa nueva, empieza haciendo que el cinturón alrededor de las dos poleas exterior del huso, como se muestra en la figura. 7-9.
6. Luego, la cinta de ruta alrededor de las dos polines poleas de la cubierta como se muestra en la figura. 7-9.
7. Volver a apretar la barra poseedor del cinturón aflojado antes.
8. Volver a montar la cinta de los guardias de retirarse antes.
9. Vuelva a instalar la cubierta, asegurándose de que la cinta sigue siendo derrotados en las poleas con las instrucciones. Véase la figura. 7-11.
10. Tire de la parte derecha de la cinta, y coloque el lado V estrecha de la correa en la polea PTO.
11. Mientras se mantiene la correa y la polea juntos, girar la polea a la izquierda. Seguir manteniendo y rotación de la polea y la correa hasta que la correa es totalmente enrollado en la polea PTO.

Cambio de la correa de transmisión

NOTA: Para cambiar la correa de transmisión del tractor, se deben retirar varios componentes y se requieren herramientas especiales (es decir, llave de impacto/ aire). Solicite a un distribuidor de mantenimiento MTD autorizado que efectúe el reemplazo de la correa de transmisión, o llame por teléfono al Departamento de Atención al Cliente tal como se indica en la página 2 para obtener información sobre la forma de pedir un Manual de Mantenimiento.

Plataforma de 38 pulgadas

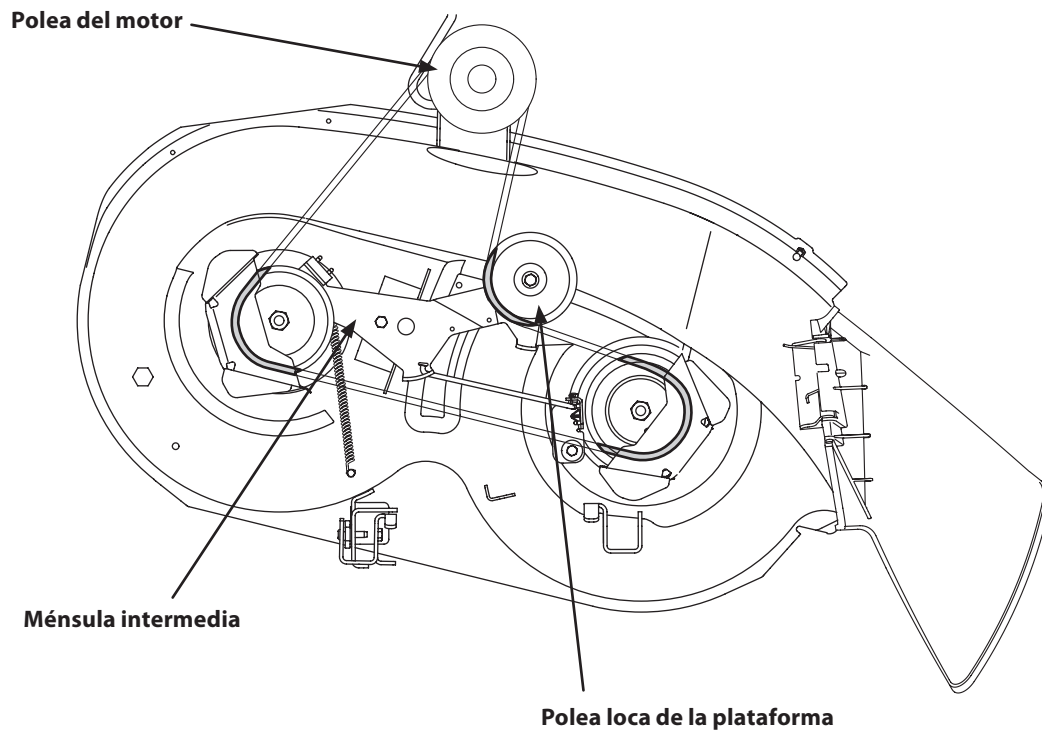


Figura 7-10

Plataforma de 42 & 46 pulgadas

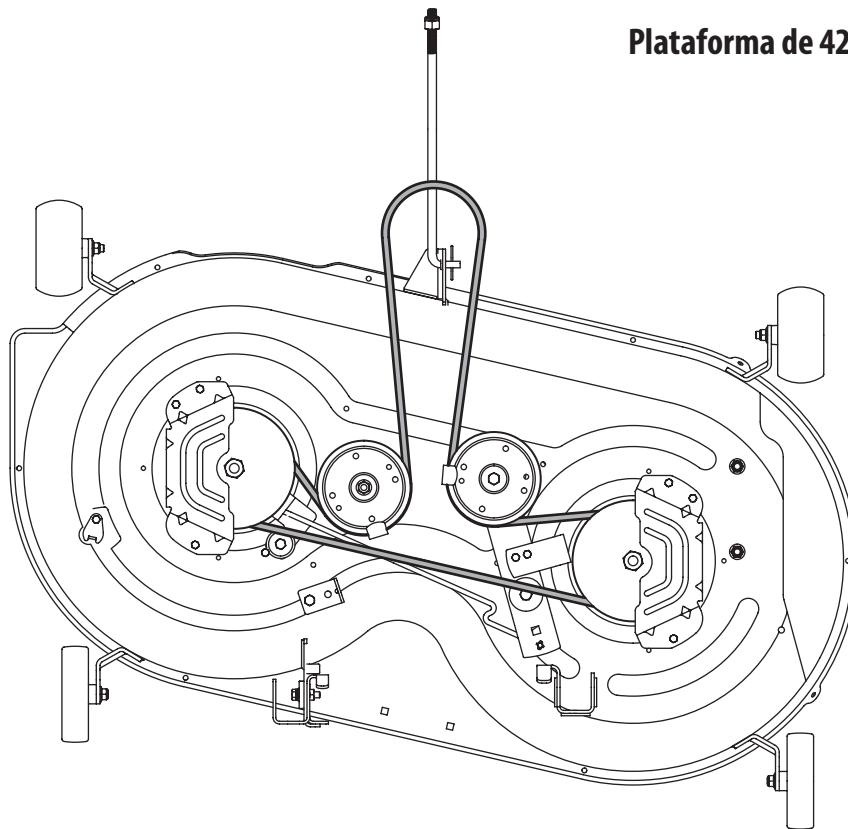


Figura 7-11

Problema	Causa	Solución
El motor no arranca	<ol style="list-style-type: none"> 1. La potencia de arranque (PTO)/cuchilla está conectada. 2. Se ha desconectado el cable de la bujía. 3. El depósito de combustible está vacío o el combustible se ha echado a perder. 4. No se ha activado el obturador. 5. La bujía no funciona correctamente. 6. La línea del combustible está bloqueada. 7. Motor ahogado. 8. No está colocado el freno de mano 9. La palanca de control del regulador no está en la posición de arranque correcta. 	<ol style="list-style-type: none"> 1. Coloque la perilla (o palanca) en posición OFF (desenganchada). 2. Conecte el cable a la bujía. 3. Llene el depósito con gasolina limpia y nueva (de menos de 30 días). 4. Coloque el control del regulador en la posición OBTURADOR. 5. Limpie o cambie la bujía o ajuste la separación. 6. Limpie la línea de combustible y reemplace el filtro de combustible. 7. Arranque el motor con el regulador en posición FAST (rápido). 8. Coloque el freno de mano. 9. Mueva la palanca del regulador a la posición FAST (rápido).
El motor funciona de manera errática	<ol style="list-style-type: none"> 1. La unidad está funcionando con el OBTURADOR activado. 2. Los cables de la bujía están flojos. 3. La línea del combustible está tapada o el combustible se ha echado a perder. 4. La ventilación en la tapa del combustible está obstruida. 5. Agua o suciedad en el sistema del combustible. 6. El filtro de aire está sucio. 	<ol style="list-style-type: none"> 1. Saque el control del regulador de la posición OBTURADOR. 2. Conecte y ajuste el cable de la bujía. 3. Limpie la línea de combustible; llene el tanque con gasolina limpia y fresca y reemplace el filtro de combustible, en caso de haber. 4. Destape la ventilación o reemplace la tapa si está dañada. 5. Vacíe el tanque de combustible. Llene el tanque con gasolina limpia y fresca. 6. Reemplace el elemento de papel del filtro de aire o limpie el depurador de espuma, en caso de haber.
El motor recalienta	<ol style="list-style-type: none"> 1. El nivel de aceite del motor está bajo. 2. Flujo de aire restringido. 	<ol style="list-style-type: none"> 1. Llene el cárter con la adecuada cantidad y peso de aceite. 2. Limpie los recortes de pasto y suciedad acumulados alrededor de las aletas de refrigeración del motor y del alojamiento del soplador.
El motor vacila a altas revoluciones	<ol style="list-style-type: none"> 1. La separación de la bujía es muy pequeña. 	<ol style="list-style-type: none"> 1. Retire la bujía y reajuste la separación.
El motor funciona con dificultad en ralentí	<ol style="list-style-type: none"> 1. Bujía sucia, averiada o exceso de separación. 2. El filtro de aire está sucio. 	<ol style="list-style-type: none"> 1. Reemplace la bujía. Configure la separación de la bujía. 2. Reemplace el elemento del filtro de aire y/o limpie el depurador, si la unidad está equipada con el mismo.
Demasiada vibración	<ol style="list-style-type: none"> 1. Cuchilla de corte floja o descentrada. 2. Cuchilla dañada o curvada. 	<ol style="list-style-type: none"> 1. Apriete la cuchilla y el husillo. Estabilice la cuchilla. 2. Reemplace la cuchilla.
La cortadora de césped no regresa el recorte de césped como abono	<ol style="list-style-type: none"> 1. La velocidad del motor es demasiado lenta. 2. Césped húmedo. 3. Césped demasiado alto. 4. La cuchilla de la cortadora no está afilada. 	<ol style="list-style-type: none"> 1. Coloque el control del regulador en la posición FAST (velocidad rápida, representada por una liebre). 2. No realice abono cuando el césped está húmedo. 3. Corte una vez a una altura de corte elevada y luego vuelva a cortar el césped a la altura deseada, o haga una pasada de corte más angosta. 4. Afile o cambie la cuchilla.
Corte desigual	<ol style="list-style-type: none"> 1. La plataforma no está correctamente nivelada. 2. La cuchilla de la cortadora no está afilada. 3. Presión de neumáticos desigual. 	<ol style="list-style-type: none"> 1. Realice un ajuste de la plataforma lado a lado. 2. Afile o cambie la cuchilla. 3. Verifique la presión de los cuatro neumáticos.

DESCRIPCIÓN DE	PARTE NO.
La correa de transmisión (Plataforma de corte) 38 "Deck	954-04062
La correa de transmisión (Plataforma de corte) 42 "Deck	954-04060B
La correa de transmisión (Plataforma de corte) 46 "Deck	954-04219
Hoja de Cubierta (38 "Deck)	942-0610A
Hoja de Cubierta (42 "Deck)	942-04308
Extremo Hoja de Cubierta (42 "Deck)	942-04308-X
Hoja de Cubierta (46 "Deck)	942-04290
Extremo Hoja de Cubierta (46 "Deck)	942-04290-X
Cubierta del husillo (38 "Deck)	918-04474A
Cubierta del husillo (42 "Deck)	918-04822A
Cubierta del husillo (46 "Deck)	918-04636A
Cubierta de la rueda (posterior)	734-0973
Cubierta de la rueda (delantera - 42" & 46 "Deck)	734-04155
Batería	925-1707D
Tire (frontal) 15 x 6 x 6 Ronda de hombro	734-04240A
Tire (frontal) 15 x 6 x 6 Plaza de hombro	734-1731
Tire (Rear) 20 x 8 x 8 de la Ronda de hombro	734-04241
Tire (Rear) 20 x 8 x 8 Plaza hombro	734-1730
Hub Cap	731-0484A
Del tanque de combustible Cap	951-12179A
Del tanque de combustible Cap (CA Modelos)	951-12426
Control del acelerador / Choke Cable (Single cilindros en)	746-04367
Tolva de descarga de la Asamblea 38 "Deck	931-1032B
Tolva de descarga de la Asamblea 42" Deck	631-04288
Tolva de descarga de la Asamblea 46" Deck	631-04288
Número	925-1745A

NOTA: Este Manual del operador cubre una gama de especificaciones de productos de varios modelos. Las características y funciones incluidas y/o ilustradas en este manual pueden no ser aplicables a todos los modelos. MTD LLC se reserva el derecho de modificar las especificaciones de los productos, los diseños y el equipo sin previo aviso y sin generar responsabilidad por obligaciones de ningún tipo.

NOTA: Descargue un Manual de Piezas de Repuesto completo sin cargo en www.mtdproducts.com o comuníquese por teléfono al (800) 800-7310 para comprar un Manual de Piezas de Repuesto. Asegúrese de tener a mano el número de modelo y el número de serie. Esta información se encuentra en la placa de modelo ubicada debajo del asiento. Consulte la página 2 para obtener más información sobre la ubicación de sus números de modelo y de serie.

Los siguientes aditamentos y accesorios son compatibles con los Tractores Corta Césped Modelo. Consulte al minorista a quien le adquirió su tractor, a un distribuidor autorizado MTD de mantenimiento o llame al teléfono (800) 800-7310 para obtener información sobre precios y disponibilidad.



PRECAUCIÓN: Los Tractores Corta Modelo NO han sido diseñados para ser utilizados con accesorios que penetran en el suelo (como, por ejemplo, cultivadoras o arados). El uso de este tipo de equipamiento INVALIDARÁ la garantía del tractor.

Número de modelo	Descripción
OEM-190-116	Juego de abonadora con plataforma de 38 pulgadas
19A30006OEM	Juego de abonadora con plataforma de 42 pulgadas
19A30005OEM	Juego de abonadora con plataforma de 46 pulgadas
490-850-0005	Herramienta de eliminación de corte de la hoja
OEM-190-607	Parasol de lujo para tractor
OEM-190-679	Paragolpes
OEM-190-183	Kit de ruedas de plataforma de 38"
OEM-190-180	Double Bagger Kit 38"
19A30003OEM	Kit de embolsadora doble 42" & 46"
490-900-0025	Juego de lavado de plataforma
490-850-0008	Oil Siphon

**DECLARACIÓN FEDERAL y/o DE CALIFORNIA SOBRE GARANTÍAS EN EL CONTROL DE EMISIONES
SUS DERECHOS Y OBLIGACIONES EN CUANTO A LA GARANTÍA**

MTD Consumer Group Inc, la Agencia de Protección Medioambiental de los Estados Unidos (EPA), y para aquellos productos certificados para su venta en el estado de California, el Departamento de los Recursos del Aire de California (CARB) se complacen en explicar la garantía que cubre al sistema de control (ECS) de emisiones (evaporativas y/o de escape) de su equipo y motor (motor de equipos de exteriores) de encendido por chispa para todo terreno, pequeño, de exteriores del año 2006 y años posteriores. En California, los nuevos motores de equipos de exteriores deben estar diseñados, construidos y equipados para cumplir con las estrictas normas antipolución del Estado (en otros estados, los equipos del año 1997 y modelos posteriores deben ser estar diseñados, construidos y equipados para cumplir con las regulaciones de motores de encendido por chispa para todo terreno pequeños de la Agencia de Protección Medioambiental de los Estados Unidos, (EPA). MTD Consumer Group Inc. debe garantizar el sistema de control de emisiones (ECS) de su motor de equipos de exteriores por el período de tiempo indicado más abajo, siempre y cuando no exista uso incorrecto, negligencia o mantenimiento inadecuado de dicho motor.

Su ECS puede incluir piezas tales como el carburador, el sistema de inyección de combustible, el sistema de encendido, el convertidor catalítico, los depósitos de combustible, las líneas de combustible, los tapones de combustible, las válvulas, contenedores, filtros, mangueras de vapor, abrazaderas, conectores y otros componentes afines relacionados con las emisiones.

Donde exista una condición cubierta por la garantía, MTD Consumer Group Inc. reparará su motor de equipos de exteriores sin costo alguno incluyendo el diagnóstico, las piezas y la mano de obra.

COBERTURA DE LA GARANTÍA DEL FABRICANTE:

Este sistema de control de emisiones se garantiza por el término de dos años. Si alguna pieza relacionada con las emisiones de su motor de equipos de exteriores es defectuosa, MTD CONSUMER GROUP INC. reparará o sustituirá dicha pieza.

RESPONSABILIDADES DEL PROPIETARIO SEGÚN LA GARANTÍA:

En su carácter de propietario del motor de equipos de exteriores, usted es responsable del mantenimiento requerido que se especifica en el manual del propietario. MTD Consumer Group Inc le recomienda que conserve todos los recibos que cubren el mantenimiento de su motor, no obstante lo cual MTD Consumer Group Inc no podrá denegar el cumplimiento de la garantía únicamente por la falta de los recibos.

Como propietario del motor de equipos de exteriores, usted debe saber que MTD Consumer Group Inc. puede denegar la cobertura de la garantía si su motor o una pieza del mismo fallan debido a uso incorrecto, negligencia, mantenimiento indebido o a modificaciones no aprobadas.

Usted es responsable de presentar su motor al centro de distribución o servicio técnico de MTD Consumer Group Inc. tan pronto como aparezca el problema. Las reparaciones cubiertas por la garantía se deben llevar a cabo en un lapso razonable que no exceda de 30 días. Si tiene alguna pregunta respecto de la cobertura de la garantía, póngase en contacto con el Departamento del Servicio Técnico de MTD Consumer Group Inc. al teléfono 1-800-800-7310 o por correo electrónico en <http://support.mtdproducts.com>

COBERTURA DE LA GARANTÍA DE EMISIONES GENERALES:

MTD Consumer Group Inc garantiza al comprador final y a cada comprador subsiguiente que el motor de equipos de exteriores: está diseñado, construido y equipado de modo de cumplir con todas las regulaciones aplicables y que se encuentra libre de defectos de materiales y de fabricación que pudieren causar la falla de una pieza garantizada idéntica, en todos los aspectos materiales a la pieza descrita en la solicitud de certificación de MTD Consumer Group Inc.

El período de garantía comienza en la fecha de entrega del motor al comprador final o en la fecha en que la máquina se pone en funcionamiento por primera vez. El período de garantía es de dos años.

Sujeto a ciertas condiciones y exclusiones que se indican a continuación, la garantía de las piezas relacionadas con las emisiones es la siguiente:

1. Cualquier pieza garantizada que no esté programada para ser reemplazada como parte del mantenimiento requerido en las instrucciones escritas suministradas se garantiza por el período de garantía arriba mencionado. Si la pieza falla durante el período de cobertura de la garantía, la misma será reparada o reemplazada por MTD Consumer Group Inc. de acuerdo con el párrafo (4) a continuación. Cualquier pieza reparada o reemplazada según la garantía se garantizará por el resto del período de garantía.
2. Cualquier pieza garantizada que esté programada solamente para inspección regular en las instrucciones escritas suministradas se garantiza por el período de garantía arriba mencionado. Cualquier pieza reparada o reemplazada según la garantía se garantizará por el resto del período.
3. Cualquier pieza garantizada que esté programada para reemplazo según el mantenimiento requerido de conformidad con las instrucciones escritas suministradas, se garantiza por el período de tiempo anterior a la primera fecha de reemplazo programada para esa pieza. Si la pieza falla antes del primer reemplazo programado, la misma será reparada o reemplazada por MTD Consumer Group Inc. de acuerdo con el párrafo (4) a continuación. Cualquier pieza reparada o reemplazada bajo garantía se garantizará por el resto del período anterior al primer reemplazo programado puntual para esa pieza.
4. La reparación o el reemplazo de cualquier pieza garantizada de conformidad con las disposiciones de la garantía que aquí se estipula se deben realizar en un centro de garantía sin costo alguno para el propietario.
5. No obstante las disposiciones que aquí se estipulan, los servicios o reparaciones bajo garantía se suministrarán en todos nuestros centros de distribución bajo franquicia de mantenimiento para los motores o equipos en cuestión.
6. El propietario del motor de equipos de exteriores no deberá pagar el trabajo de diagnóstico directamente asociado con una pieza garantizada defectuosa en relación con las emisiones, siempre y cuando dicho trabajo de diagnóstico se realice en un centro cubierto por la garantía.
7. MTD Consumer Group Inc es responsable por daños causados a otros componentes de motores o equipos derivados de la falla bajo garantía de cualquier pieza garantizada.

8. Durante la totalidad del período de garantía del motor y equipo para todo terreno arriba mencionado, MTD Consumer Group Inc mantendrá un suministro de piezas bajo garantía suficiente para satisfacer la demanda esperada de tales piezas.
9. Cualquier pieza de reemplazo se podrá usar para el cumplimiento del mantenimiento o las reparaciones bajo garantía y se suministrarán sin cargo para el propietario. Dicho uso no reducirá las obligaciones de garantía de MTD Consumer Group Inc.
10. No se podrán usar piezas adicionales ni modificadas que no estén exentas de acuerdo con el Departamento de los Recursos del Aire (Air Resources Board). El uso de cualquier pieza adicional o modificada no exenta por el comprador final será causal de invalidez de los reclamos bajo garantía. MTD Consumer Group Inc no tendrá responsabilidad por la garantía de fallas de piezas garantizadas que fueren causadas por el uso de una pieza adicional no exenta o modificada.

PIEZAS GARANTIZADAS:

La reparación o el reemplazo de cualquier pieza garantizada que de otro modo pudiese estar cubierta por la garantía podrá ser excluida de tal cobertura de garantía si MTD Consumer Group Inc demuestra que el motor es objeto de uso incorrecto, negligencia o mantenimiento inadecuado, y que tal uso incorrecto, negligencia o mantenimiento inadecuado fue causa directa de la necesidad de reparación o reemplazo de dicha pieza. No obstante lo antedicho, cualquier ajuste de un componente con un dispositivo de limitación de ajuste instalado en fábrica y que funcione adecuadamente, podrá ser cubierto por la garantía. Además, la cobertura bajo esta garantía se extiende solo a piezas que estuvieron presentes en el motor y equipo todo terreno adquiridos.

Están cubiertas las siguientes piezas con garantía para emisiones (de corresponder):

- (1) Sistema de medición de combustible
 - Sistema de mejora para inicio en frío (cebado suave)
 - Carburador y piezas internas (o sistema de inyección por combustible)
 - Bomba de combustible
 - Depósito de combustible
- (2) Sistema de inducción de aire
 - Purificador de aire
 - Colector de admisión
- (3) Sistema de encendido
 - Bujía(s) de encendido
 - Sistema de encendido por magneto
- (4) Sistema de encendido
 - Convertidor catalítico
 - SAI (válvula Reed)
- (5) Componentes varios utilizados en el sistema anterior
 - Válvulas e interruptores de vacío, temperatura, posición sensibles al tiempo
 - Conectores y montajes
- (6) Control evaporativo
 - Manguera de combustible
 - Abrazaderas de la manguera de combustible
 - Tapón del combustible atado por correa
 - Caja de carbono
 - Líneas de vapor

GARANTÍA LIMITADA DEL FABRICANTE PARA



La siguiente garantía limitada es otorgada por MTD LLC con respecto a nuevos productos adquiridos y utilizados en Estados Unidos y/o sus territorios y posesiones, y por MTD Products Limited con respecto a nuevos productos adquiridos y utilizados en Canadá y/o sus territorios y posesiones (cualquiera de las dos entidades, respectivamente, "MTD").

"MTD" garantiza este producto (excluidas las *Piezas y Accesorios con Desgaste Normal* según se describe más abajo) contra defectos en los materiales y mano de obra por un período de dos (2) años a partir de la fecha de compra original y, a su opción, reparará o reemplazará, sin costo alguno, cualquier pieza que presente defectos en los materiales o de mano de obra. Esta garantía limitada sólo se aplicará si el producto ha sido operado y mantenido de acuerdo con las instrucciones del Manual del Operador que se proporciona con el producto y no ha sido objeto de uso inapropiado, abuso, uso comercial, abandono, accidente, mantenimiento incorrecto, alteración, vandalismo, robo, incendio, inundación o algún daño debido a otro peligro o desastre natural. El daño resultante por la instalación o el uso de piezas, accesorios o aditamentos no aprobados por MTD para su uso con el(los) producto(s) incluido(s) en este manual anulará la garantía en lo que respecta a esos daños.

Se garantiza que las Piezas con Desgaste Normal están libres de defectos en los materiales y mano de obra por un período de treinta (30) días a partir de la fecha de compra. Las piezas sujetas a desgaste normal incluyen pero no se limitan a: baterías, correas, cuchillas, adaptadores para cuchillas, dientes, bolsas para pasto, ruedas, ruedas para la plataforma de la podadora tractor, asientos, zapatas antideslizantes, ruedas de fricción, placas de raspado, gomas helicoidales y neumáticos.

Accesorios - MTD garantiza que los accesorios de este producto están libres de defectos de material y mano de obra durante un período de un (1) año a partir de la fecha de compra o arrendamiento original del accesorio. Los accesorios incluyen, pero no se limitan a: colectores de césped y kits para abono.

CÓMO SOLICITAR Y OBTENER SERVICIO TÉCNICO: El servicio de la garantía está disponible, CON COMPROBANTE DE COMPRA, a través de su distribuidor local de servicio autorizado. Para localizar el distribuidor en su área:

En Estados Unidos de América

Consulte las páginas amarillas, o póngase en contacto con MTD LLC en P.O. Box 361131, Cleveland, Ohio 44136-0019, llame al 1-800-800-7310, o visite nuestro sitio web en www.mtdproducts.com.

En Canadá

Contacte MTD Products Limited, Kitchener, ON N2G 4J1, llame al 1-800-668-1238 o visite nuestro sitio web en www.mtdcanada.com.

Esta garantía limitada **no** ofrece cobertura en los siguientes casos:

- El motor o las piezas que lo componen. Estos productos pueden tener garantía del fabricante por separado. Consulte los términos y condiciones de la garantía aplicable del fabricante.
- Las bombas rompetroncos, válvulas y cilindros tienen una garantía separada de un año.
- Los artículos necesarios para el mantenimiento de rutina como por

ejemplo lubricantes, filtros, afiladores de cuchillas, sincronización del motor, los ajustes de los frenos, del embrague o de la plataforma y el deterioro normal del acabado exterior debido al uso o exposición.

- Mantenimiento no realizado por el distribuidor de servicio autorizado.
- MTD no extiende ninguna garantía para los productos vendidos o exportados fuera de los Estados Unidos de América y/o Canadá, y sus respectivas posesiones y territorios, excepto para aquellos vendidos a través de los canales autorizados de distribución de exportaciones de MTD.
- Piezas de reemplazo que no son piezas originales de MTD.
- Gastos de transporte y por visitas técnicas.
- MTD no garantiza este producto para uso comercial.

No se aplican garantías implícitas, incluidas las garantías implícitas de comerciabilidad o de adecuación para un propósito determinado, después del período de aplicación de la garantía escrita expresa extendida más arriba para las piezas de acuerdo con su identificación. Ninguna otra garantía expresa, ni oral ni escrita, excepto la mencionada anteriormente, extendida por personas reales o jurídicas, incluidos los distribuidores o los minoristas con respecto a cualquier producto, obligará a MTD. Durante el plazo de la garantía el único recurso es la reparación o reemplazo del producto como se indicó anteriormente.

Las disposiciones incluidas en esta garantía proveen el recurso único y exclusivo que surge de las ventas. MTD no se hará responsable de ninguna pérdida o daño incidental o resultante, incluyendo sin limitación, los gastos incurridos para los servicios de mantenimiento del pasto, o los gastos de arrendamiento para reemplazar de manera transitoria un producto bajo garantía.

Algunos estados no permiten la exclusión o limitación de los daños y perjuicios incidentales o directos, o las limitaciones sobre la duración de las garantías implícitas, por lo que las exclusiones o limitaciones mencionadas anteriormente pueden no ser de aplicación.

En ningún caso se obtendrá una compensación mayor al monto del precio de compra del producto vendido. **La alteración de las características de seguridad del producto anulará esta garantía.** Usted asume el riesgo y la responsabilidad de las pérdidas, daños o lesiones que sufran usted y sus bienes y / o otras personas y sus bienes como resultado del uso incorrecto o de la falta de capacidad para usar este producto.

Esta garantía limitada alcanza solamente al comprador original, o a la persona que recibió el producto de regalo.

CÓMO SE RELACIONA LA LEGISLACIÓN ESTATAL CON ESTA

GARANTÍA: Esta garantía limitada le otorga derechos legales específicos y usted también puede tener otros derechos que varían de un estado a otro.

IMPORTANTE: El propietario debe presentar el Comprobante de compra original para obtener la cobertura de la garantía.

MTD LLC, P.O. BOX 361131 CLEVELAND, OHIO 44136-0019, Teléfono: 1-800-800-7310
MTD Canada Limited - KITCHENER, ON N2G 4J1; teléfono 1-800-668-1238