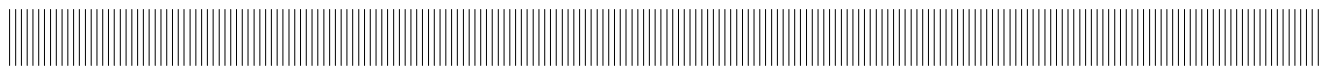


|   |  |  |          |          |
|---|--|--|----------|----------|
|  | EQUIPAGGIAMENTI<br>TECNICI<br>LAVAGGIO | <b>LS 12</b><br>Lancia schiuma<br>Foamer | ①<br>GB  | <b>3</b> |
|   |  |  | 06/06/13 |          |

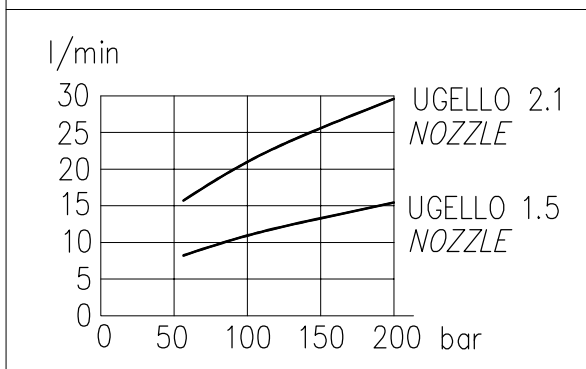
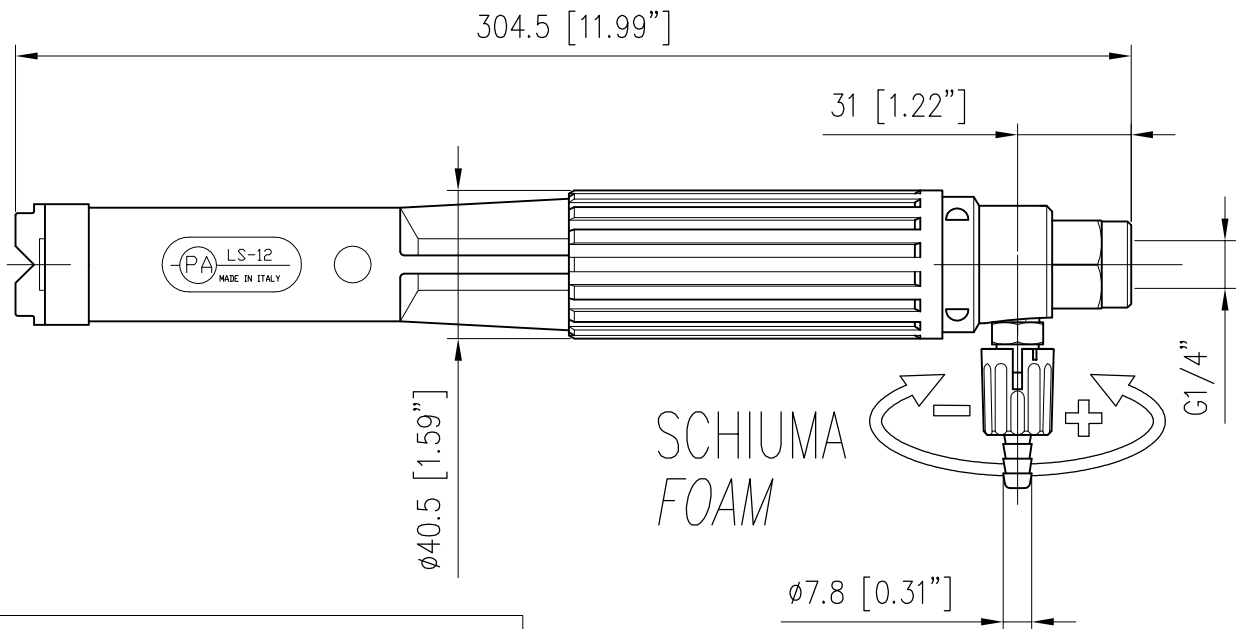


**SPECIFICHE TECNICHE**  
**SPECIFICATIONS**

|  |                                   |
|--|-----------------------------------|
| - PRESSIONE NOMINALE<br>RATED PRESSURE           | 200 bar – 20 MPa (2900 psi)       |
| - PRESSIONE CONSENTITA<br>PERMISSIBLE PRESSURE   | 220 bar – 22 MPa (3200 psi)       |
| - PORTATA MASSIMA<br>MAX FLOW RATE               | VEDI DIAGRAMMA<br>SEE CHART BELOW |
| - TEMPERATURA MASSIMA<br>MAX WORKING TEMPERATURE | 60° C (140 °F)                    |

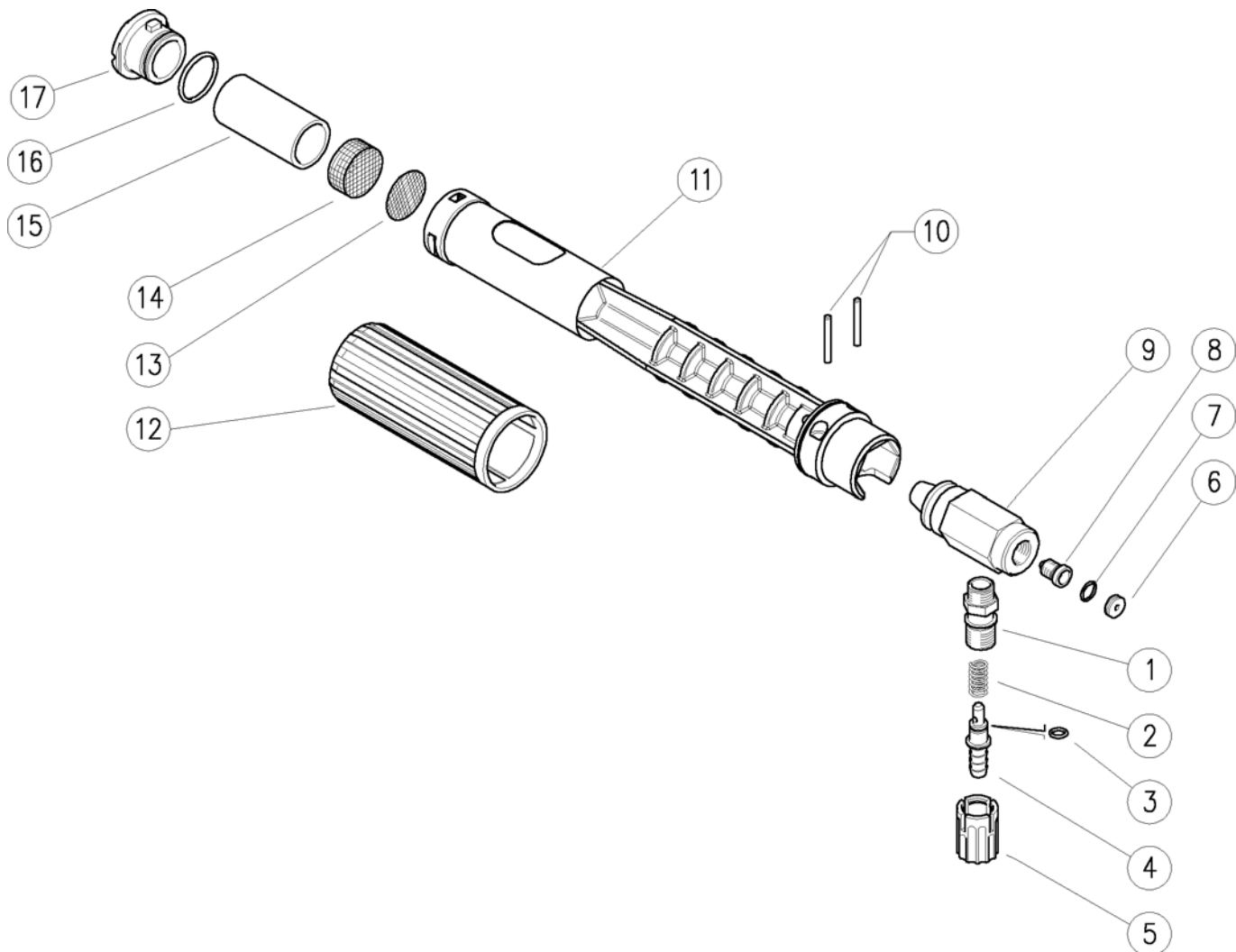
**MISURE D'INGOMBRO**  
**OVERALL DIMENSIONS**

| CODICE<br>CODE | MATERIALE<br>MATERIAL | UGELLO – NOZZLE<br>mm. [inch.] |
|----------------|-----------------------|--------------------------------|
| 25.1800.15     | OTTONE (BRASS)        | 1.5 [0.059"]                   |
| 25.1815.15     | ACC. INOX (ST. STEEL) | 1.5 [0.059"]                   |



25.1800.15 LS12 Lan.schiuma 1,5mm

25.1815.15 LS12 Lancia schiuma 1,5mm inox



| Pos. | Codice     | Descrizione                   | Q.tà | K1 | K2 | K3 | K4 |    |
|------|------------|-------------------------------|------|----|----|----|----|----|
| 1    | 21.0173.31 | Raccordo M12x1-G1/4M ott.     | 1    | •  | •  |    |    | 10 |
| 1    | 21.0173.51 | Raccordo M12x1-G1/4M inox (1) | 1    |    |    |    |    | 5  |
| 2    | 21.0158.51 | Molla 0,8x7x15 mm inox        | 1    | •  | •  |    |    | 10 |
| 3    | 10.3043.01 | An.OR 1,78x4,48 mm Vi 70      | 1    | •  | •  |    |    | 10 |
| 4    | 21.0155.99 | Portagomma 8 mm ott.+or (2)   | 1    | •  |    |    |    | 3  |
| 4    | 21.0155.90 | Portagomma 8 mm inox+or (1)   | 1    | •  |    |    |    | 3  |
| 5    | 21.0171.84 | Manopola eiett. G1/4F nera    | 1    | •  | •  |    |    | 10 |
| 6    | 25.0085.31 | Inserto ugello                | 1    |    |    |    |    | 5  |
| 7    | 10.3003.00 | An.OR 1x8 mm                  | 1    |    |    |    |    | 10 |
| 8    | 21.0007.51 | Ugello M8x1 - 1,5 mm inox     | 1    |    |    |    |    | 10 |

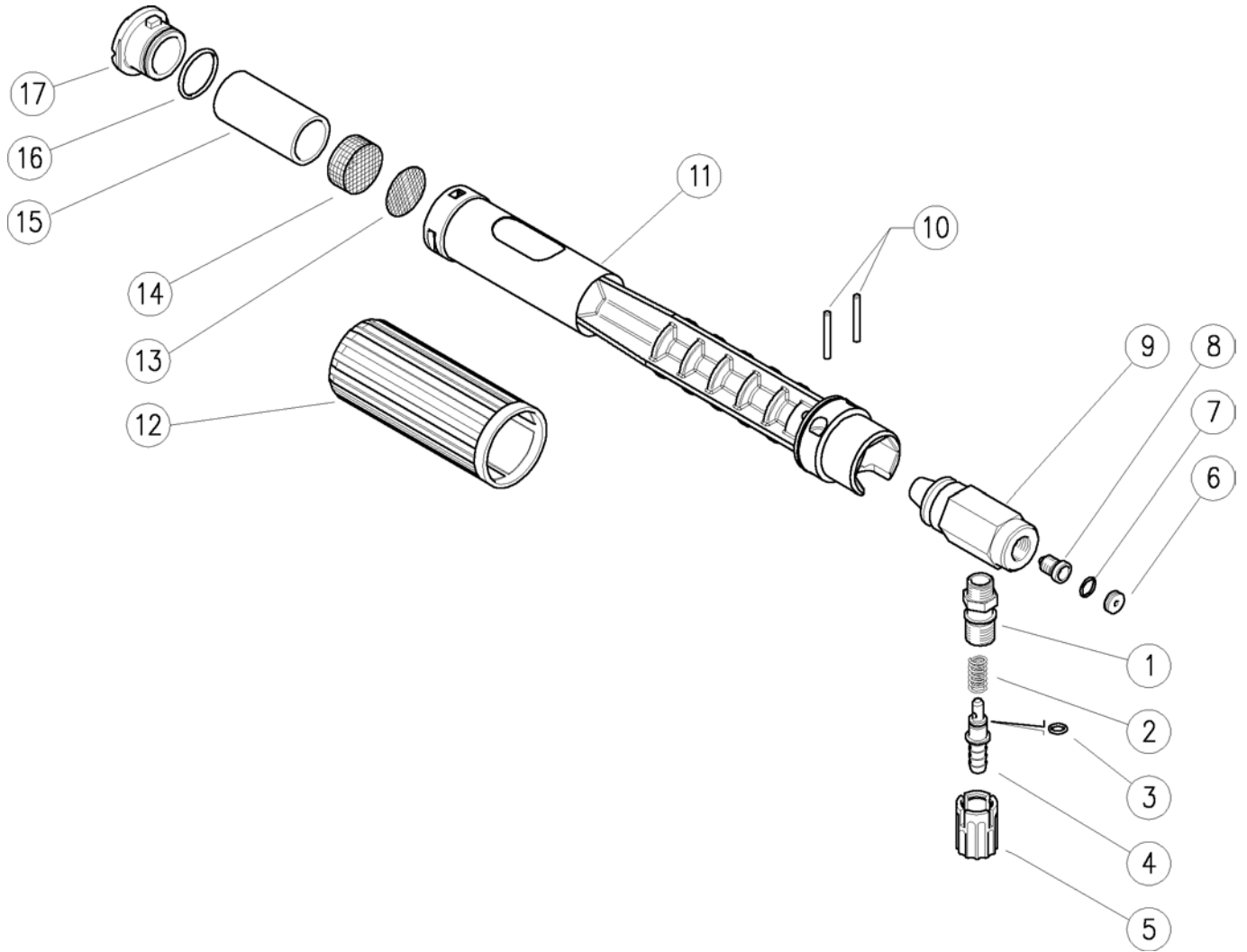
| Pos. | Codice     | Descrizione                  | Q.tà | K1 | K2 | K3 | K4 |    |
|------|------------|------------------------------|------|----|----|----|----|----|
| 9    | 25.1803.31 | Corpo eiettore LS12          | 1    |    |    |    |    | 3  |
| 9    | 25.1803.51 | Corpo eiettore LS12 inox (1) | 1    |    |    |    |    | 3  |
| 10   | 30.0509.31 | Spina cil. 5x24,5 mm ott.    | 2    |    |    |    |    | 10 |
| 11   | 25.1801.84 | Corpo lancia LS12            | 1    |    |    |    |    | 5  |
| 12   | 25.1805.84 | Manopola LS12                | 1    |    |    |    |    | 5  |
| 13   | 29.0802.53 | An. Diaframma 25x0,5 mm inox | 1    |    |    |    |    | 10 |
| 14   | 25.1806.51 | Filtro pressato 25x10mm inox | 1    |    |    |    |    | 10 |
| 15   | 25.1831.85 | Anello distanziale LS12      | 1    |    |    |    |    | 5  |
| 16   | 10.3072.10 | An.OR 1,78x20,35 mm Vi 70    | 1    |    |    |    |    | 10 |
| 17   | 25.1802.84 | Ugello anteriore plast.nero  | 1    |    |    |    |    | 5  |

| Kit | Codice     | Descrizione                          |    |
|-----|------------|--------------------------------------|----|
| K1  | 21.0100.00 | Regolatore ptgm.8-M12x1mm eiett.ott. | 50 |
| K2  | 21.0108.00 | Regolatore ptgm.8-M12x1mm ptgm.inox  | 2  |

(1) 25.1815.15 (2) 25.1800.15

25.1800.15 LS12 Foamer, 1,5mm

25.1815.15 LS12 Foamer 1,5mm Sst.



| Pos. | P/N        | Description                        | Q.ty | K1 | K2 | K3 | K4 |    |
|------|------------|------------------------------------|------|----|----|----|----|----|
| 1    | 21.0173.31 | Coupling, M12x1-1/4M Bsp brass     | 1    | •  | •  |    |    | 10 |
| 1    | 21.0173.51 | Coupling, M12x1-1/4M Bsp Sst. (1)  | 1    |    |    |    |    | 5  |
| 2    | 21.0158.51 | Spring, 0,8x7x15 mm Sst.           | 1    | •  | •  |    |    | 10 |
| 3    | 10.3043.01 | O-ring, 1,78x4,48 mm Vi 70         | 1    | •  | •  |    |    | 10 |
| 4    | 21.0155.99 | Hose barb, d.8 mm brass+o-ring (2) | 1    | •  |    |    |    | 3  |
| 4    | 21.0155.90 | Hose barb, d.8 mm sst.+o-ring (1)  | 1    |    | •  |    |    | 3  |
| 5    | 21.0171.84 | Inject.knob, 1/4F Bsp black        | 1    | •  | •  |    |    | 10 |
| 6    | 25.0085.31 | Nozzle insert                      | 1    |    |    |    |    | 5  |
| 7    | 10.3003.00 | O-ring, 1x8 mm                     | 1    |    |    |    |    | 10 |
| 8    | 21.0007.51 | Nozzle, M8x1 - 1,5 mm Sst.         | 1    |    |    |    |    | 10 |

| Pos. | P/N        | Description                      | Q.ty | K1 | K2 | K3 | K4 |    |
|------|------------|----------------------------------|------|----|----|----|----|----|
| 9    | 25.1803.31 | Injector housing -LS12           | 1    |    |    |    |    | 3  |
| 9    | 25.1803.51 | Injector Housing -LS12, Sst. (1) | 1    |    |    |    |    | 3  |
| 10   | 30.0509.31 | Parallel pin, 5x24,5 mm brass    | 2    |    |    |    |    | 10 |
| 11   | 25.1801.84 | Lance housing -LS12              | 1    |    |    |    |    | 5  |
| 12   | 25.1805.84 | Knob -LS12                       | 1    |    |    |    |    | 5  |
| 13   | 29.0802.53 | Diaphragm, 25x0,5 mm Sst.        | 1    |    |    |    |    | 10 |
| 14   | 25.1806.51 | Pressed strainer,25x10mm Sst.    | 1    |    |    |    |    | 10 |
| 15   | 25.1831.85 | Spacer ring -LS12                | 1    |    |    |    |    | 5  |
| 16   | 10.3072.10 | O-ring, 1,78x20,35 mm Vi 70      | 1    |    |    |    |    | 10 |
| 17   | 25.1802.84 | Front nozzle -LS10-12 black      | 1    |    |    |    |    | 5  |

| Kit | P/N        | Description                             |    |
|-----|------------|---|----|
| K1  | 21.0100.00 | Regulator+h.barb 8-M12x1mm brs. inject. | 50 |
| K2  | 21.0108.00 | Regulator+h.barb 8-M12x1 mm Sst.inject. | 2  |

(1) 25.1815.15 (2) 25.1800.15

## **P.A. SpA EQUIPAGGIAMENTI TECNICI DEL LAVAGGIO**

Via Milano, 13 42048 Rubiera - (RE) ITALY  
Tel +39 0522 623611 (ric aut) - Fax +39 0522 629600  
*Info@pa-etl.it - www.pa-etl.it*

---

**COMPANY WITH  
QUALITY SYSTEM  
CERTIFIED BY DNV**

**= ISO 9001 =**