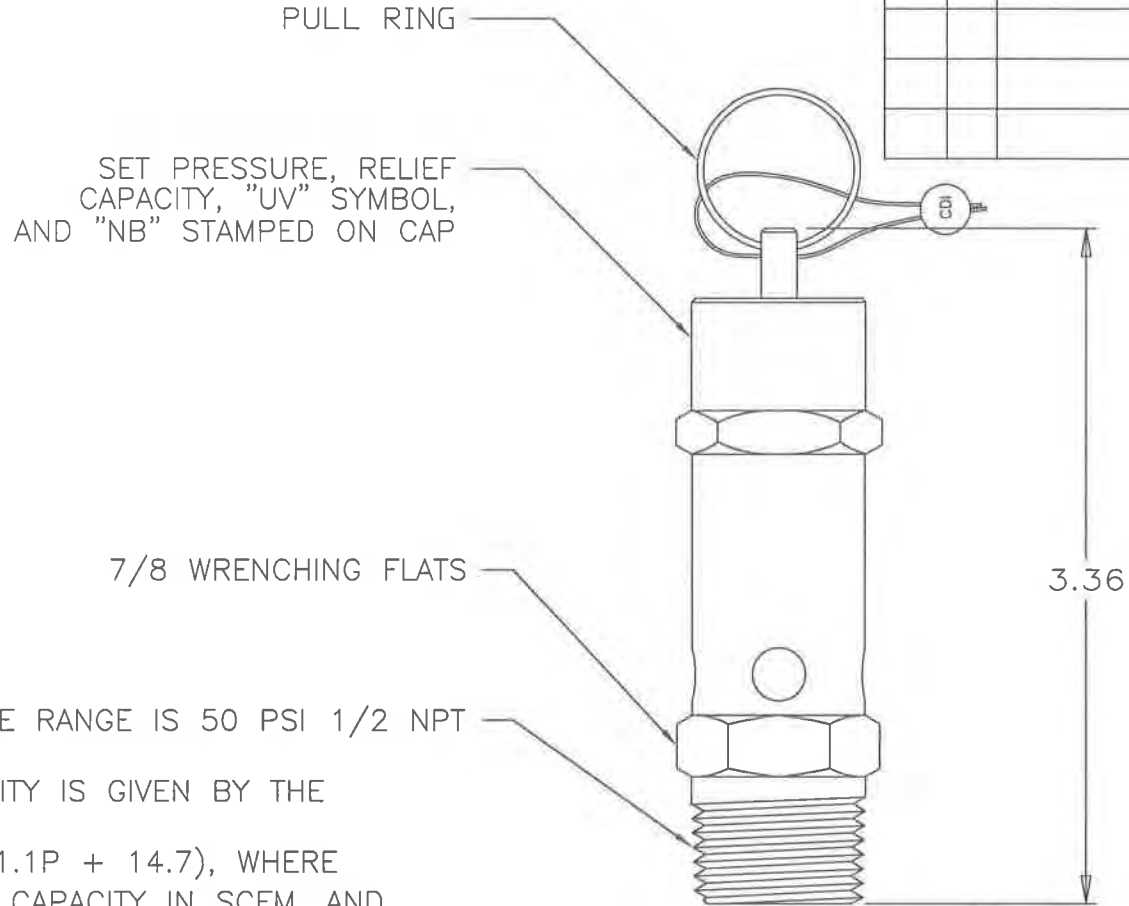


THIS DOCUMENT CONTAINS PROPRIETARY AND CONFIDENTIAL INFORMATION OF CONTROL DEVICES INC. AND MUST BE USED STRICTLY IN ACCORDANCE WITH THE LIMITED PURPOSE FOR WHICH IT WAS SUBMITTED. ANY REPRODUCTION, DISCLOSURE OR USE OF THIS DOCUMENT IS EXPRESSLY PROHIBITED, EXCEPT AS OTHERWISE AGREED IN WRITING.

DATE	SYM	REVISION RECORD	ECN NO.	CK.
3/94	A	REDRAWN ON AUTOCAD		

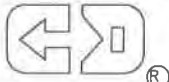


NOTES

1. SET PRESSURE RANGE IS 50 PSI 1/2 NPT TO 250 PSI
2. RELIEF CAPACITY IS GIVEN BY THE EQUATION

$$Q = 1.526(1.1P + 14.7)$$
 WHERE
 Q = RELIEF CAPACITY IN SCFM, AND
 P = SET PRESSURE IN PSIG
3. MATERIALS OF CONSTRUCTION:
 BODY, NUT, CAP, ADJ. SCREW,
 ROD, DISC -- BRASS
 SPRING -- ZINC PLATED MUSIC WIRE
 PULL RING -- STAINLESS STEEL
 PAD -- SILICONE OR FLUOROCARBON RUBBER
 SEAL -- LEAD
4. MAX TEMPERATURE 250° F

ALL DIMENSIONS ARE IN INCHES.

TOLERANCES (EXCEPT AS NOTED)		 control devices inc. 711 HANLEY INDUSTRIAL COURT ST. LOUIS, MISSOURI 63144			
DECIMAL	± .005				
FRACTIONAL	± .015	MATERIAL	SCALE	SIZE	DRAWN BY
ANGULAR	± 2°		FULL	A	RMH
DATE	2/12/93	TITLE			
		VALVE, ASME SAFETY, 1/2 NPT			
		CAD FILE	DRAWING NUMBER		
		C:\ACADWIN\PARTDWGS\SF50.DWG	SF50		REV A