

Tanaka Illustrated Parts Manual

Model Number:

TBC-340PF,PFD

GRASS TRIMMER / BRUSHCUTTER

P/N 32348

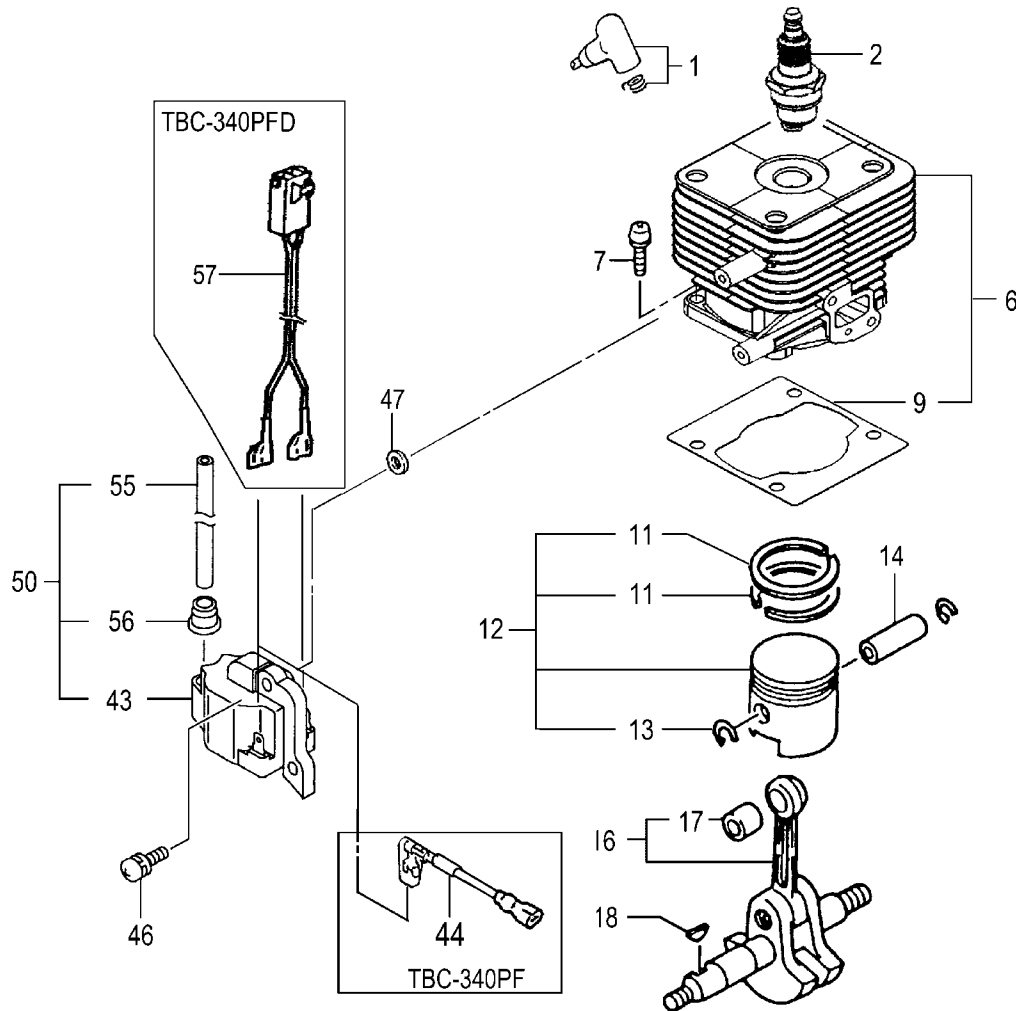
Rev 000

Date 7-15-08

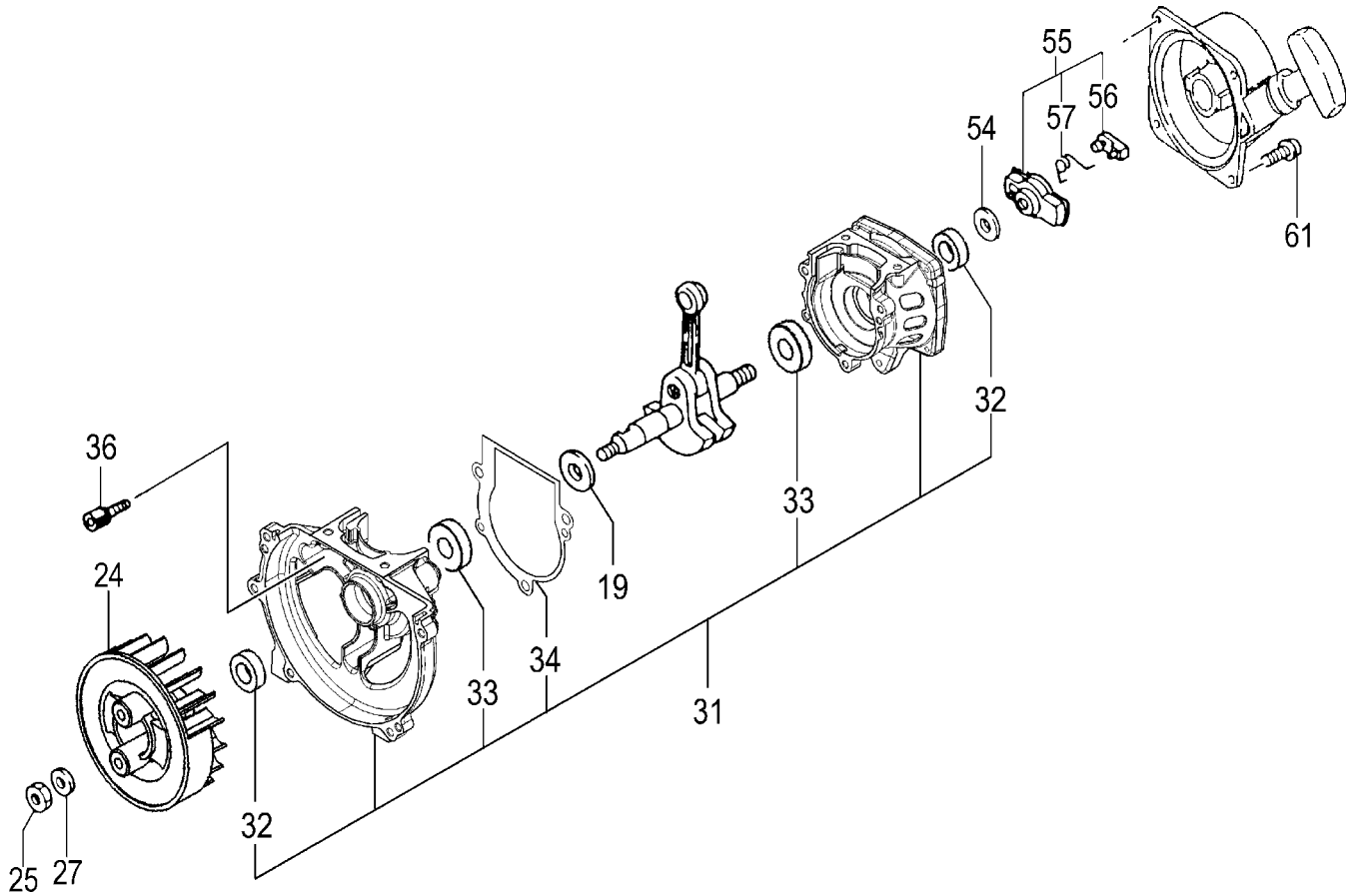


Supplier To The Outdoor Power Equipment Industry

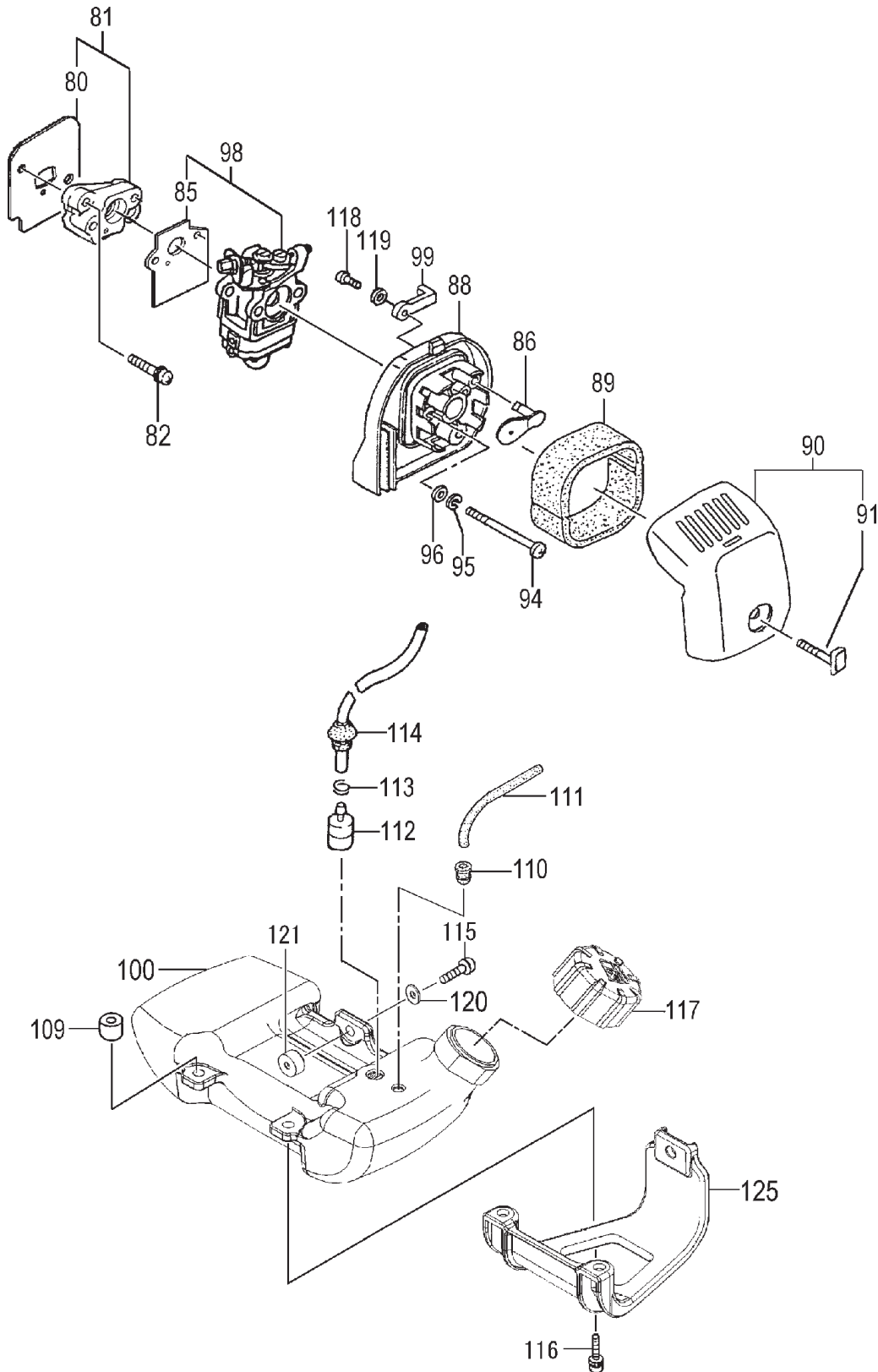
Tanaka America • 1028 4th Street SW Ste "B" • Auburn, WA 98001 • Phone: (253) 333-1200 • Fax: (253) 333-1212



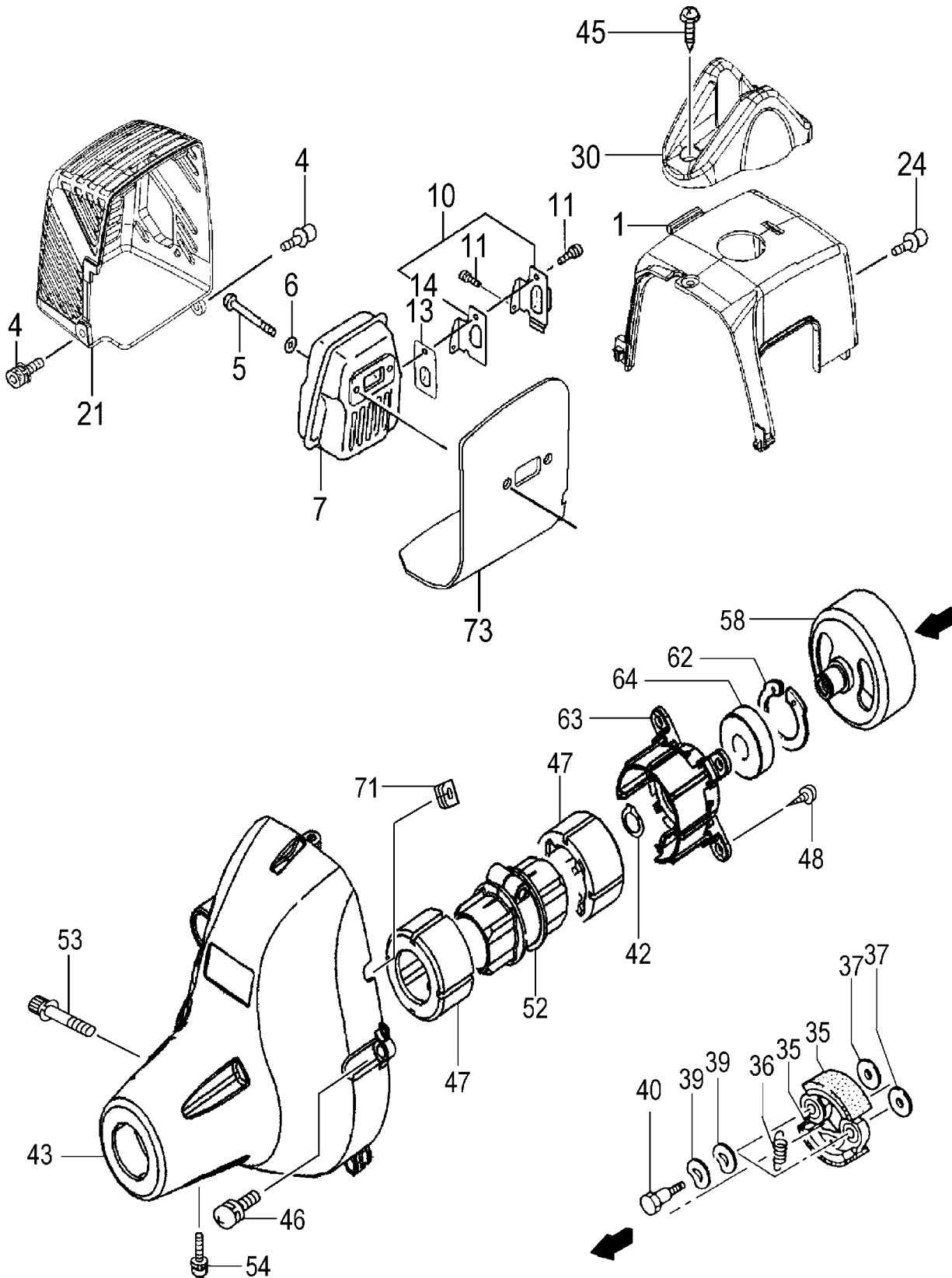
| ITEM | PART NUMBER | DESCRIPTION | QTY | COMMENTS |
|------|-------------|-------------------------|-----|-----------------------------|
| 1-1 | 15701570900 | CAP,SPARK PLUG,ASSEMBLY | 1 | |
| 1-2 | 0181161021 | PLUG,SPARK | 1 | |
| 1-6 | 0010725090 | CYLINDER SET | 1 | Includes gasket |
| 1-7 | 99461050164 | BOLT,HEX,5X16,S | 4 | |
| 1-9 | 0170725020 | GASKET,CYLINDER | 1 | |
| 1-11 | 04101730200 | RING,PISTON | 2 | |
| 1-12 | 0300703091 | PISTON SET | 1 | Includes rings and circlips |
| 1-13 | 03900000201 | CIRCLIP,PISTON PIN | 2 | |
| 1-14 | 03701400200 | PIN,PISTON | 1 | |
| 1-16 | 0460703A81 | CRANKSHAFT | 1 | |
| 1-17 | 99962091325 | BEARING,NEEDLE,F-910 | 1 | |
| 1-18 | 06810100200 | KEY,WOODRUFF,3X13X4.5 | 1 | |
| 1-44 | 1780703B80 | CORD,STOP B | 2 | |
| 1-46 | 99464040184 | BOLT,HEXT 4X18WS | 1 | |
| 1-47 | 1820186A201 | WASHER,SPECIAL | 2 | |
| 1-50 | 1672054691 | COIL,IGNITION | 1 | |
| 1-55 | 1782055320 | WIRE,HIGH TENSION,180L | 1 | |
| 1-56 | 56020517200 | CAP,RUBBER | 1 | |
| 1-57 | 1910702590 | WIRE,LEAD ASS'Y | 1 | |



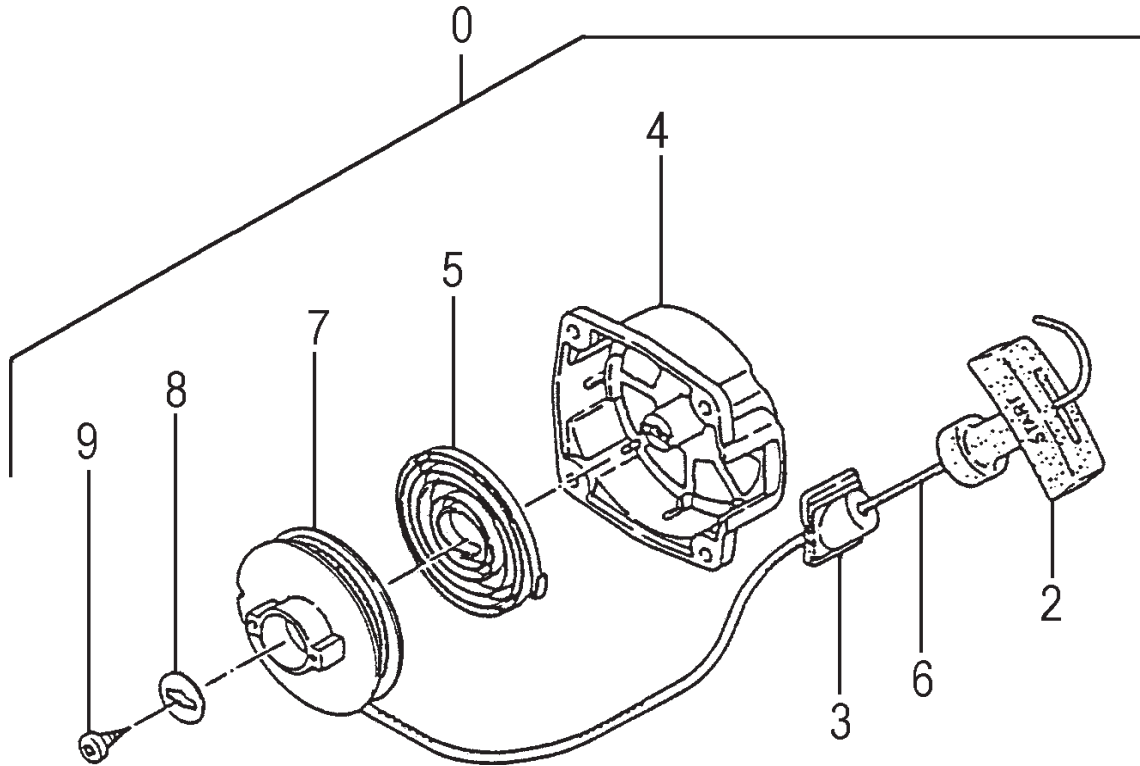
| ITEM | PART NUMBER | DESCRIPTION | QTY | COMMENTS |
|------|-------------|----------------------|-----|-------------------------------------|
| 2-19 | 33000200210 | SHIM,12.2X19X.10 | 1 | |
| 2-19 | 33000200220 | SHIM,12.2X19X.15 | 1 | |
| 2-19 | 33000200230 | SHIM,12.2X19X.20 | 1 | |
| 2-19 | 33000200240 | SHIM,12.2X19X.30 | 1 | |
| 2-24 | 1552054980 | ROTOR,MAGNETO | 1 | |
| 2-25 | 99101080011 | NUT,8 | 1 | |
| 2-27 | 99200080011 | WASHER,8 | 1 | |
| 2-31 | 0720725090 | CRANKCASE ASSY | 1 | Includes bearings, seals and gasket |
| 2-32 | 99966122240 | SEAL,OIL,#12227 | 2 | |
| 2-33 | 99961600115 | BEARING,BALL,6001 C3 | 2 | |
| 2-34 | 0900725020 | GASKET,CRANKCASE | 1 | |
| 2-36 | 99461050164 | BOLT,HEX,5X16,S | 3 | |
| 2-54 | 99201080011 | WASHER,8 | 1 | |
| 2-55 | 7980166R90 | PULLEY,STARTER,ASS'Y | 1 | |
| 2-56 | 7880138A20 | PAWL,STARTER | 1 | |
| 2-57 | 7900162V200 | SPRING,PAWL,STARTER | 1 | |
| 2-61 | 99464040185 | BOLT,HEX,4x18WS | 2 | |



| ITEM | PART NUMBER | DESCRIPTION | QTY | COMMENTS |
|-------|-------------|-----------------------|-----|---------------------|
| 3-80 | 4030702021 | GASKET,INLET MANIFOLD | 1 | |
| 3-81 | 4040702091 | INSULATOR SET | 1 | |
| 3-82 | 99464050254 | BOLT,HEX HOLE,5X25WS | 2 | |
| 3-85 | 4020656A200 | GASKET | 1 | |
| 3-86 | 5280652N22 | PLATE,CHOKE,2.0 | 1 | |
| 3-88 | 4230652N80 | BODY,AIR CLEANER | 1 | |
| 3-89 | 4460652N20 | CLEANER,ELEMENT | 1 | |
| 3-90 | 4520304690 | COVER,BLACK | 1 | |
| 3-91 | 4500702480 | BOLT,CLEANER COVER | 1 | |
| 3-94 | 99051050553 | BOLT,HEX,5X55 | 2 | |
| 3-95 | 99210050012 | WASHER,S,5 | 2 | |
| 3-96 | 99200050011 | WASHER,SMALL,5 | 2 | |
| 3-98 | 4550304590 | CARBURETOR SET | 1 | |
| 3-99 | 5230652N20 | LEVER,CHOKE | 1 | |
| 3-100 | 5910725520 | TANK,FUEL,ORANGE | 1 | Before S/N ~D000000 |
| 3-100 | 5910725F20 | TANK,FUEL,EVAPO | 1 | After S/N D000001~ |
| 3-109 | 6590430020 | COLLAR,C | 3 | |
| 3-110 | 53432710200 | GROMMET,FUEL PIPE | 1 | |
| 3-111 | 7000300508 | PIPE,FUEL,3X5X85 | 1 | |
| 3-112 | 6750404280 | FILTER,FUEL | 1 | |
| 3-113 | 68000731201 | CLIP 6.3 | 1 | |
| 3-114 | 2230162V900 | PIPE,FUEL,ASS'Y | 1 | |
| 3-115 | 99461050304 | BOLT,HEX,5X30S | 1 | |
| 3-116 | 99463050204 | BOLT, HEX 5X20 | 2 | |
| 3-117 | 5950300290 | CAP,TANK (BLACK/RED) | 1 | |
| 3-118 | 99075040154 | SCREW,TAPPING,4X15 | 1 | |
| 3-119 | 99201040011 | WASHER,4 | 1 | |
| 3-120 | 99201050061 | WASHER,5 | 1 | |
| 3-121 | 6490725020 | COLLAR,TANK | 1 | |
| 3-125 | 9400725020 | BED,ENGINE | 1 | |



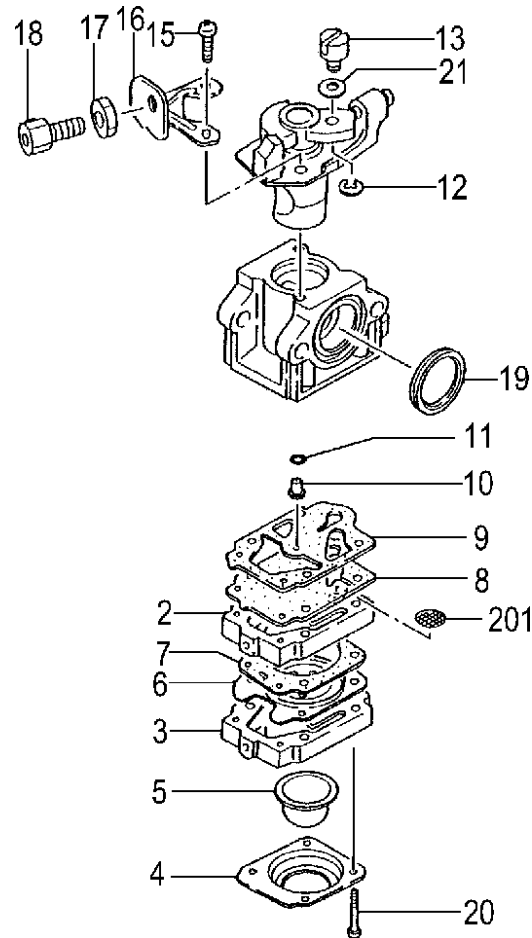
| ITEM | PART NUMBER | DESCRIPTION | QTY | COMMENTS |
|------|-------------|----------------------|-----|----------|
| 4-1 | 0160725020 | COVER,CYLINDER | 1 | |
| 4-4 | 99463050164 | BOLT,HEX,5X16,PS | 2 | |
| 4-5 | 99053060653 | SCREW,HEX,6X65 | 2 | |
| 4-6 | 99201060011 | WASHER,6 | 2 | |
| 4-7 | 7060725080 | MUFFLER | 1 | |
| 4-10 | 7340725590 | TAIL PIPE SET | 1 | |
| 4-11 | 99436040081 | SCREW,4X18WS | 2 | |
| 4-13 | 7320725020 | ARRESTER,SPARK | 1 | |
| 4-14 | 7510725020 | GASKET,MUFFLER | 1 | |
| 4-21 | 7380725020 | PROTECTOR,MUFFLER | 1 | |
| 4-24 | 99464040185 | BOLT,HEX,4x18WS | 2 | |
| 4-30 | 2570725020 | COVER,PLUG | 1 | |
| 4-35 | 2900138A80 | SHOE,CLUTCH | 2 | |
| 4-36 | 3420138A20 | SPRING,CLUTCH | 1 | |
| 4-37 | 35910112203 | WASHER,CLUTCH B | 2 | |
| 4-39 | 99204100030 | WASHER,WAVE,10 | 4 | |
| 4-40 | 3570136U200 | BOLT,STEP,CLUTCH | 2 | |
| 4-42 | 99350012002 | RING,STOP,C-12 EX | 1 | |
| 4-43 | 1120702181 | CASE,FAN | 1 | |
| 4-45 | 99073045144 | SCREW,TAPPING 4.5x14 | 1 | |
| 4-46 | 99464050184 | BOLT,HEX,5X18,WS | 4 | |
| 4-47 | 5990702020 | CUSHION | 2 | |
| 4-48 | 99072050144 | SCREW,TAPPING,5X14 | 4 | |
| 4-52 | 3600703020 | HOLDER,PIPE | 1 | |
| 4-53 | 99461050254 | BOLT,HEX HOLE,5X25S | 1 | |
| 4-54 | 99414040121 | SCREW,4X12/S | 1 | |
| 4-58 | 2890703180 | SHAFT,CLUTCH | 1 | |
| 4-62 | 99353032002 | RING,STOP,R-32 INNER | 1 | |
| 4-63 | 0880702020 | CASE,BEARING | 1 | |
| 4-64 | 99961620101 | BEARING,BALL #6201ZZ | 1 | |
| 4-71 | 20311660200 | GROMMET,PRIMARY CORD | 1 | |
| 4-73 | 1330725020 | SHIELD,HEAT | 1 | |



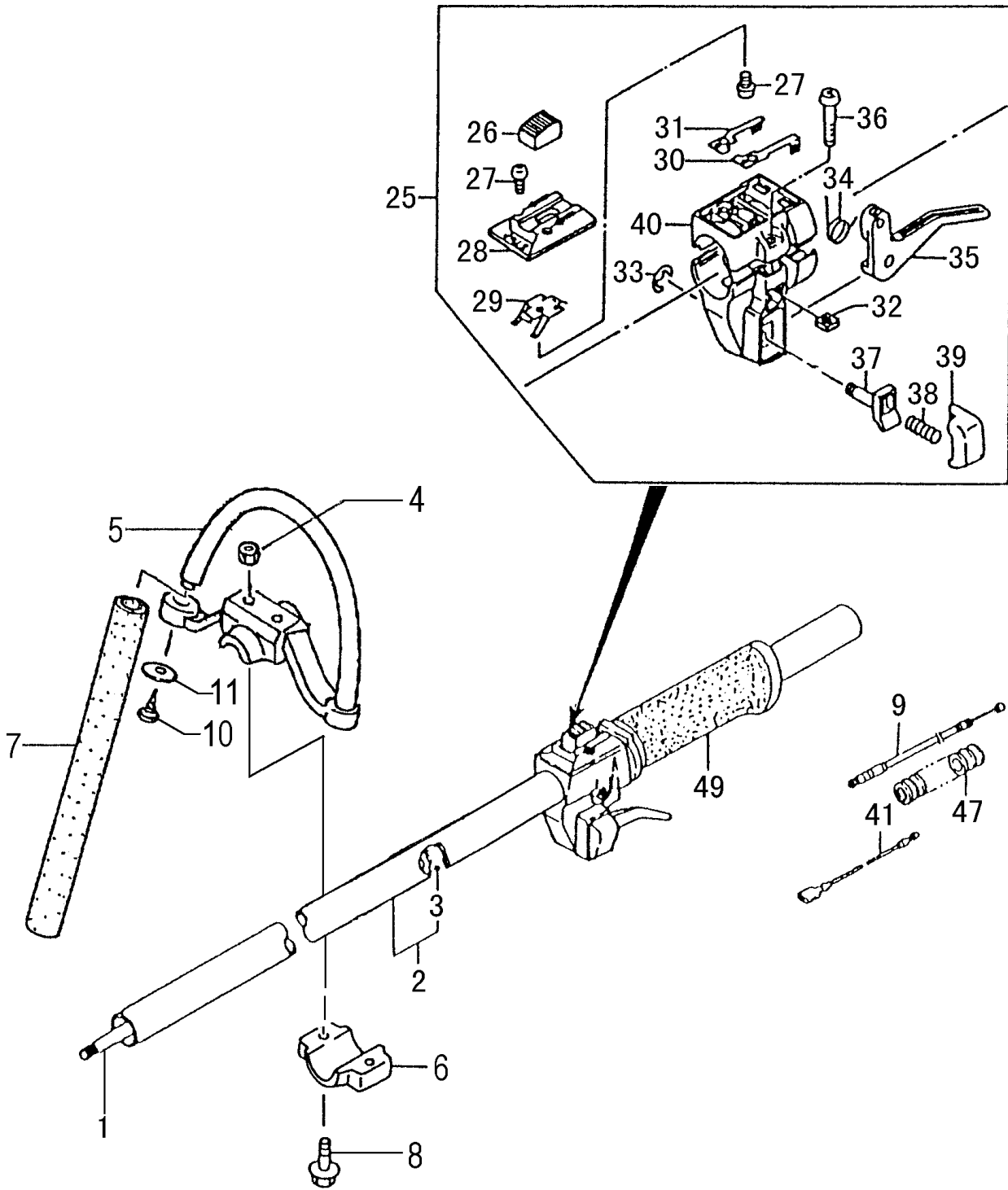
748732

Consider ordering the 748732, S-Start Kit if you are replacing the starter ass'y. It decreases the pull-effort by 60%. They are dependable and easy to install.

| ITEM | PART NUMBER | DESCRIPTION | QTY | COMMENTS |
|------|-------------|----------------------|-----|----------|
| 5-0 | 7620162V900 | STARTER,RECOIL ASS'Y | 1 | |
| 5-2 | 78501620200 | HANDLE,STARTER | 1 | |
| 5-3 | 78006150200 | GUIDE,ROPE | 1 | |
| 5-4 | 77206150200 | BODY,RECOIL STARTER | 1 | |
| 5-5 | 7790136U200 | SPRING,RECOIL | 1 | |
| 5-6 | 7830162V200 | ROPE,STARTER,3.5X890 | 1 | |
| 5-7 | 7740162V200 | REEL,STARTER ROPE | 1 | |
| 5-8 | 8010162V200 | WASHER,ROPE REEL | 1 | |
| 5-9 | 83900025200 | SCREW,SET | 1 | |

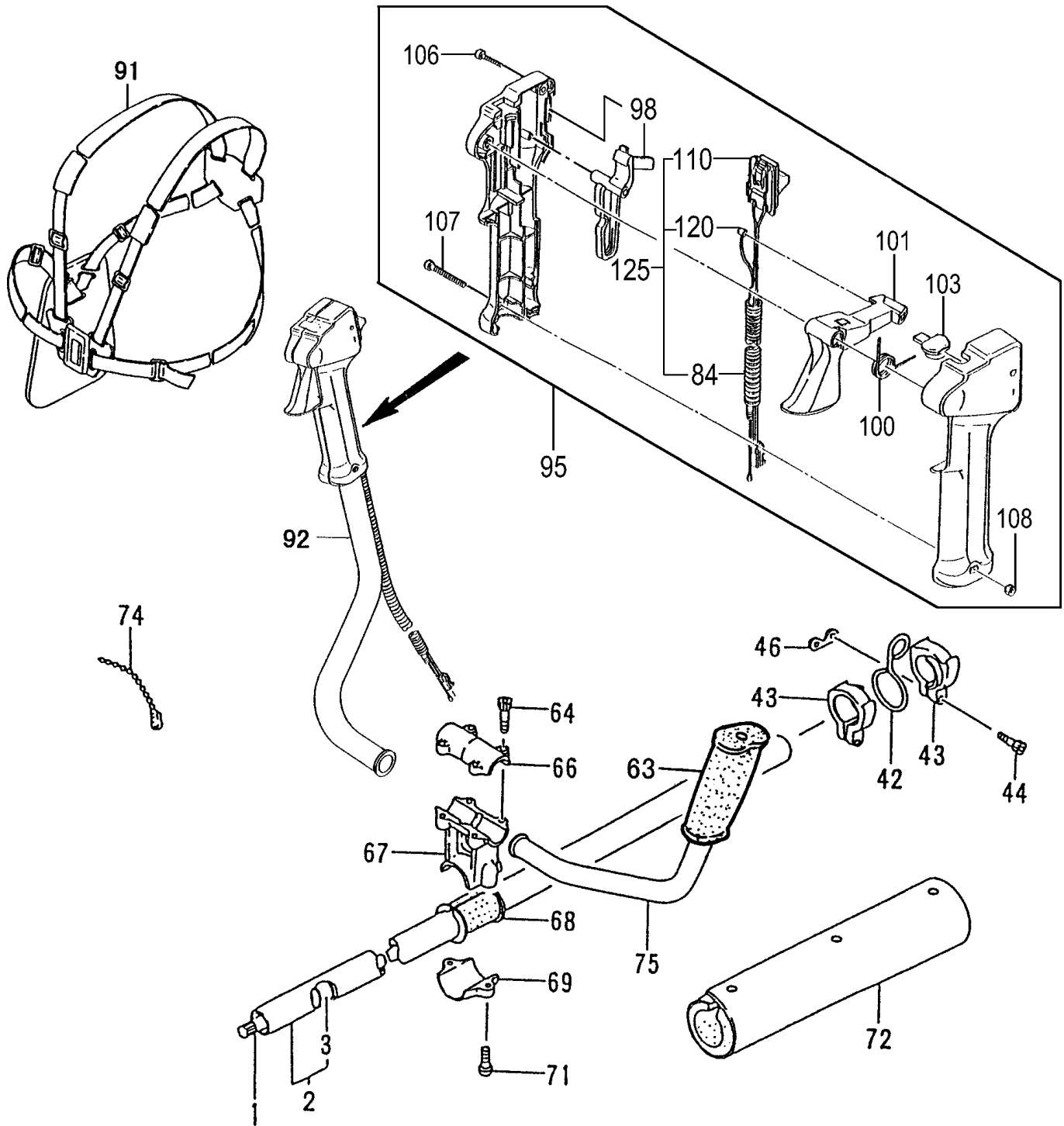


| ITEM | PART NUMBER | DESCRIPTION | QTY | COMMENTS |
|-------|-------------|--------------------|-----|--|
| 6-0 | 4550304590 | CARBURETOR SET | 1 | Includes gasket |
| 6-2 | 5752515380 | BODY,PUMP | 1 | |
| 6-3 | 4422515180 | PUMP,PRIMING | 1 | |
| 6-4 | 4762515120 | COVER,DIAPHRAGM | 1 | |
| 6-5 | 44725108200 | BULB,PRIMING | 1 | |
| 6-6 | ~ ~ ~ | METERING DIAPHRAGM | 1 | ~ Included in 650.25124.900 Carb Kit |
| 6-7 | ~ ~ ~ | DIAPHRAGM GASKET | 1 | (individual parts not sold separately) |
| 6-8 | ~ ~ ~ | PUMP DIAPHRAGM | 1 | |
| 6-9 | ~ ~ ~ | PUMP GASKET | 1 | |
| 6-10 | 5992001W38 | JET,MAIN LONG #38 | 1 | |
| 6-11 | 55025100200 | O-RING | 1 | |
| 6-12 | 48925100200 | RING,STOP | 1 | |
| 6-13 | 53925120200 | SWIVEL | 1 | |
| 6-15 | 51425100200 | SCREW,THROTTLE SET | 2 | |
| 6-16 | 54425164200 | STAY,ADJUST,CABLE | 1 | |
| 6-17 | 99101060003 | NUT,6 | 1 | |
| 6-18 | 61425137200 | ADJUSTER,CABLE | 1 | |
| 6-19 | 4310634C200 | GASKET,CLEANER | 1 | |
| 6-20 | 5482515120 | SCREW,SET | 4 | |
| 6-21 | 5492516520 | WASHER,THRUST | 1 | |
| 6-201 | 57825007200 | SCREEN,INLET | 1 | |

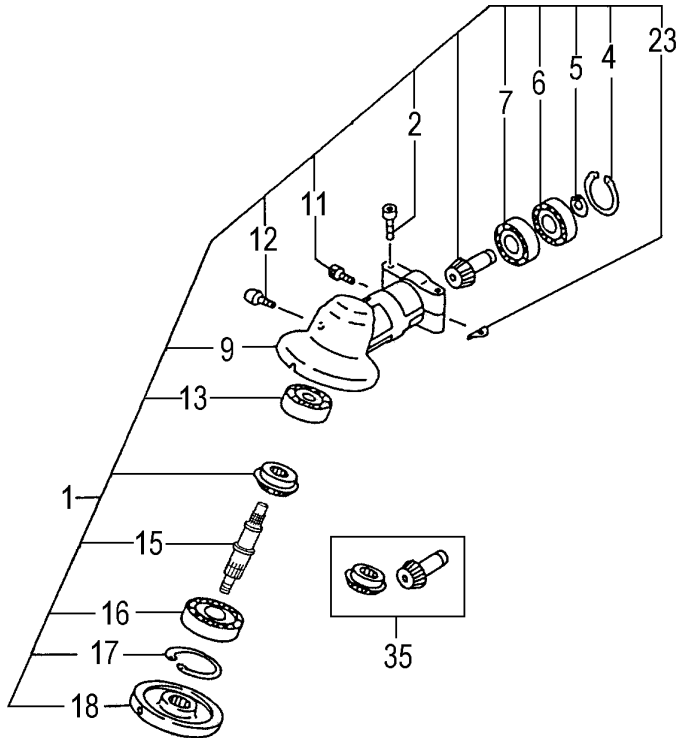


HANDLE, THROTTLE LEVER, SHAFT (TBC-340PF) • FIGURE 7

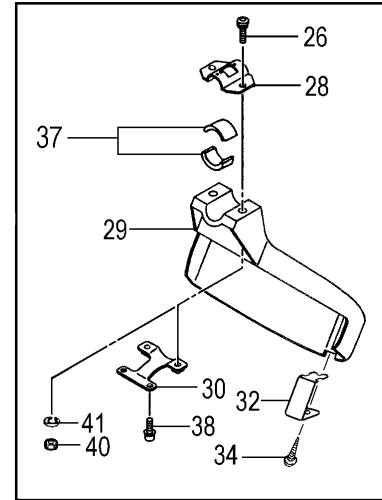
| ITEM | PART NUMBER | DESCRIPTION | QTY | COMMENTS |
|------|-------------|------------------------|-----|----------|
| 7-1 | 3433830220 | SHAFT,DRIVE | 1 | |
| 7-2 | 3413830081 | PIPE,DRIVE SHAFT | 1 | |
| 7-3 | 34737356900 | BUSHING,DRIVE SHAFT | 5 | |
| 7-4 | 99101060041 | NUT,6 | 2 | |
| 7-5 | 5003738E20 | HANDLE,FRONT | 1 | |
| 7-6 | 50633560200 | BRACKET,HANDLE,BLACK | 1 | |
| 7-7 | 5033738E20 | GRIP,HANDLE | 1 | |
| 7-8 | 99423060432 | BOLT,6X43 | 2 | |
| 7-9 | 8853739480 | WIRE,THROTTLE | 1 | |
| 7-10 | 99311052012 | SCREW,TAPPING 5X20 | 1 | |
| 7-11 | 36832350200 | WASHER,BRAKE SHAFT | 1 | |
| 7-25 | 8703738F90 | LEVER,THROTTLE ASS'Y | 1 | |
| 7-26 | 1623710120 | SWITCH,STOP | 1 | |
| 7-27 | 99342030081 | SCREW,TAPPING,3X8 | 3 | |
| 7-28 | 25937101200 | BASE,STOP SWITCH | 1 | |
| 7-29 | 26237101200 | SPRING,STOP SWITCH | 1 | |
| 7-30 | 17737101200 | TERMINAL,EARTH B | 1 | |
| 7-31 | 17637101200 | TERMINAL,EARTH A | 1 | |
| 7-32 | 3153334020 | NUT,SPECIAL 5MM | 2 | |
| 7-33 | 99355060001 | RING,STOP,6 | 1 | |
| 7-34 | 83237101200 | SPRING,RETURN | 1 | |
| 7-35 | 8803728620 | ARM,THROTTLE | 1 | |
| 7-36 | 99431050201 | SCREW,5X20 | 2 | |
| 7-37 | 85337101200 | SHAFT,LOCK BUTTON | 1 | |
| 7-38 | 95837101200 | SPRING,LOCK,BUTTON | 1 | |
| 7-39 | 95637101200 | BUTTON,LOCK | 1 | |
| 7-40 | 2603334020 | BODY,STOP BUTTON,B | 1 | |
| 7-41 | 1783739480 | CORD,STOP 430mm | 2 | |
| 7-47 | 1641002301 | TUBE,PROTECTION,10X230 | 1 | |
| 7-49 | 50437003200 | GRIP,SHAFT | 1 | |



| ITEM | PART NUMBER | DESCRIPTION | QTY | COMMENTS |
|-------|-------------|------------------------|-----|----------|
| 8-1 | 3433830220 | SHAFT,DRIVE | 1 | |
| 8-2 | 3413830081 | PIPE,DRIVE SHAFT | 1 | |
| 8-3 | 34737356900 | BUSHING,DRIVE SHAFT | 5 | |
| 8-42 | 33537307200 | METAL,LIFTING | 1 | |
| 8-43 | 33437352210 | COLLAR,LIFTING METAL | 2 | |
| 8-44 | 99462050304 | BOLT,HEX HOLE 5x30.P | 2 | |
| 8-46 | 31537304200 | NUT,SPECIAL | 1 | |
| 8-63 | 1653759020 | GRIP,HANDLE | 1 | |
| 8-64 | 99461050254 | BOLT,HEX HOLE,5X25S | 4 | |
| 8-66 | 50637623200 | BRACKET,HANDLE,A | 1 | |
| 8-67 | 5073785020 | HANDLE BRACKET B | 1 | |
| 8-69 | 5083758920 | BRACKET,HANDLE | 1 | |
| 8-71 | 99481060254 | SCREW,HEX HOLE 6X25 | 2 | |
| 8-72 | 3363341182 | CUSHION | 1 | |
| 8-74 | 4603311120 | CLAMP,B | 1 | |
| 8-75 | 5023741521 | HANDLE,LEFT | 1 | |
| 8-84 | 1640708650 | TUBE,PROTECTION,7X865 | 1 | |
| 8-91 | 746291 | STRAP,SHOULDER | 1 | |
| 8-92 | 5013716920 | HANDLE,RIGHT | 1 | |
| 8-95 | 8703840190 | LEVER,THROTTLE ASSY | 1 | |
| 8-98 | 2533840020 | LEVER,SAFETY | 1 | |
| 8-100 | 8323840020 | SPRING,RETURN | 1 | |
| 8-101 | 8803840120 | LEVER,THROTTLE | 1 | |
| 8-103 | 3223840020 | GROMMET | 1 | |
| 8-106 | 9934604020 | SCREW,4X20 | 2 | |
| 8-107 | 99431050303 | SCREW 5X30 BLACK | 1 | |
| 8-108 | 99101050043 | NUT,5 | 1 | |
| 8-110 | 1563840180 | SWITCH,STOP | 1 | |
| 8-120 | 8873840180 | WIRE,THROTTLE | 1 | |
| 8-125 | 8853840180 | WIRE,THROTTLE,W/SWITCH | 1 | |

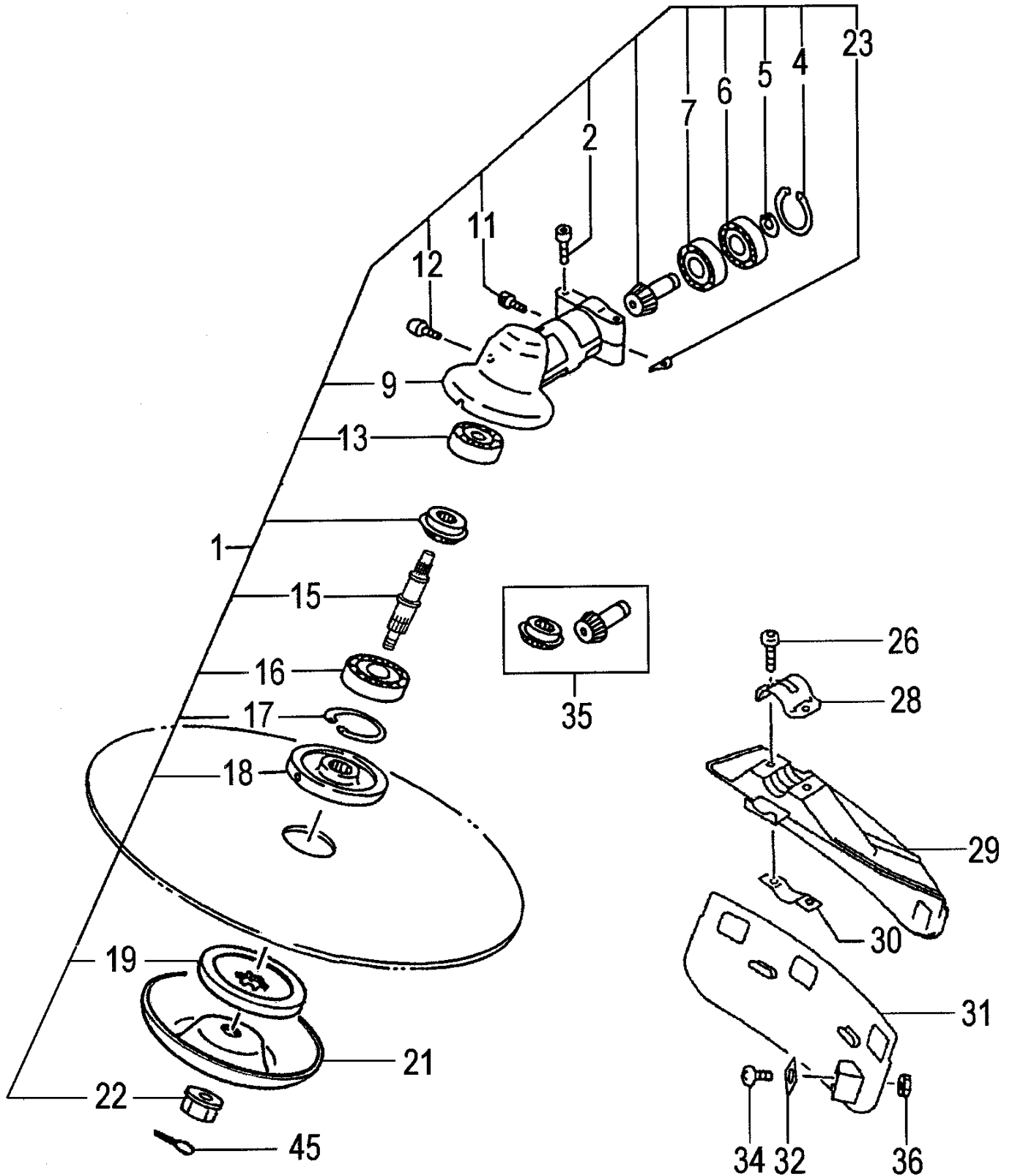


441-37587-00 Guard Kit

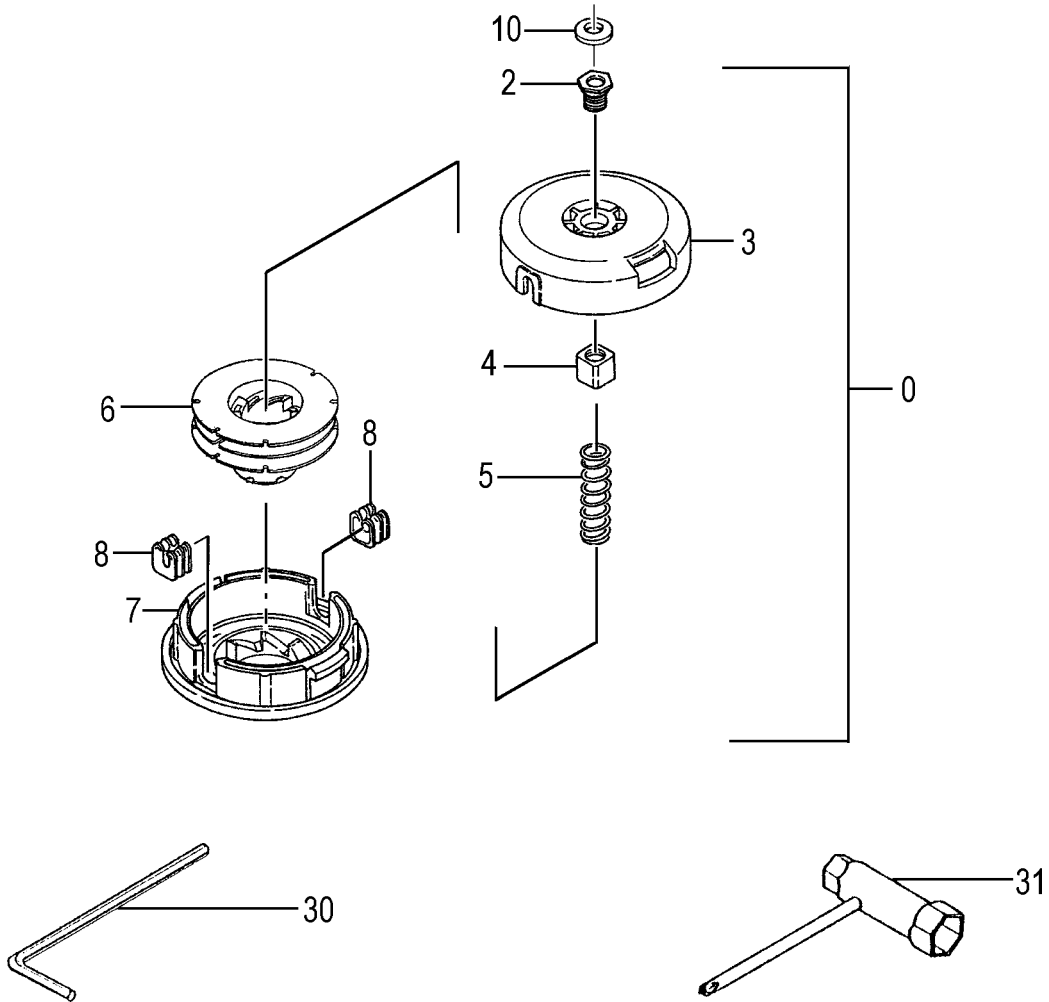


This guard kit is designed to fit all trimmers with 24 or 26 mm pipes. This guard is **NOT** approved for use with any metal blade.

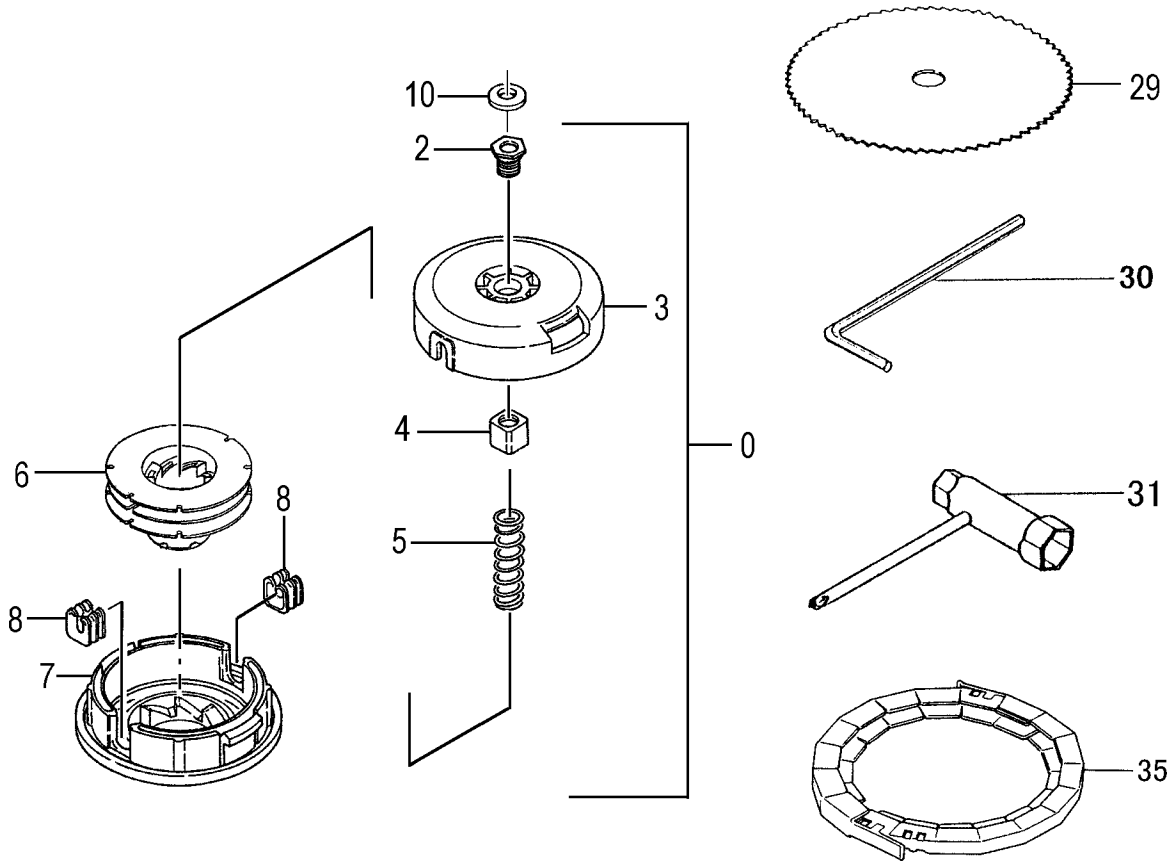
| ITEM | PART NUMBER | DESCRIPTION | QTY | COMMENTS |
|------|-------------|---------------------|-----|-----------------------|
| 9-1 | 3003748090 | CASE,GEAR | 1 | |
| 9-2 | 99461050254 | BOLT,HEX HOLE,5X25S | 2 | |
| 9-4 | 99351026002 | RING,STOP,IN,C-26 | 1 | |
| 9-5 | 99357010002 | RING,STOP,OUTER 10 | 1 | |
| 9-6 | 99961600002 | BEARING,BALL,#6000Z | 1 | |
| 9-7 | 99961600000 | BEARING,BALL,#6000 | 1 | |
| 9-9 | 3003748020 | CASE,GEAR | 1 | |
| 9-11 | 99461050124 | BOLT,HEX,5X12S | 1 | |
| 9-12 | 3163815020 | BOLT,FITTING,M8 | 1 | |
| 9-13 | 99961609000 | BEARING,BALL,#609 | 1 | |
| 9-15 | 3043815020 | SHAFT,GEAR | 1 | |
| 9-16 | 99961620103 | BEARING,BALL #6201D | 1 | |
| 9-17 | 99351032002 | RING,STOP,C-32 IN | 1 | |
| 9-18 | 3103815020 | HOLDER,CUTTER | 1 | |
| 9-23 | 3243815020 | WASHER,GEAR CASE | 1 | |
| 9-26 | 99481060254 | SCREW,HEX HOLE 6X25 | 1 | |
| 9-28 | 4423732520 | BRACKET | 1 | |
| 9-29 | ~ ~ ~ | GUARD | 1 | Available in kit only |
| 9-30 | 4453815020 | HOLDER,GUARD | 1 | |
| 9-32 | 7973815020 | LIMITER,LINE | 1 | |
| 9-34 | 99317052002 | SCREW,TAPPING,5x20 | 1 | |
| 9-35 | 3013748000 | SET,GEAR,PINION | 1 | |
| 9-37 | 44437609200 | SPACER,BRACKET | 2 | |
| 9-38 | 99461050124 | BOLT,HEX,5X12S | 2 | |
| 9-40 | 99101060011 | NUT,6 | 2 | |
| 9-41 | 99201060011 | WASHER,6 | 2 | |



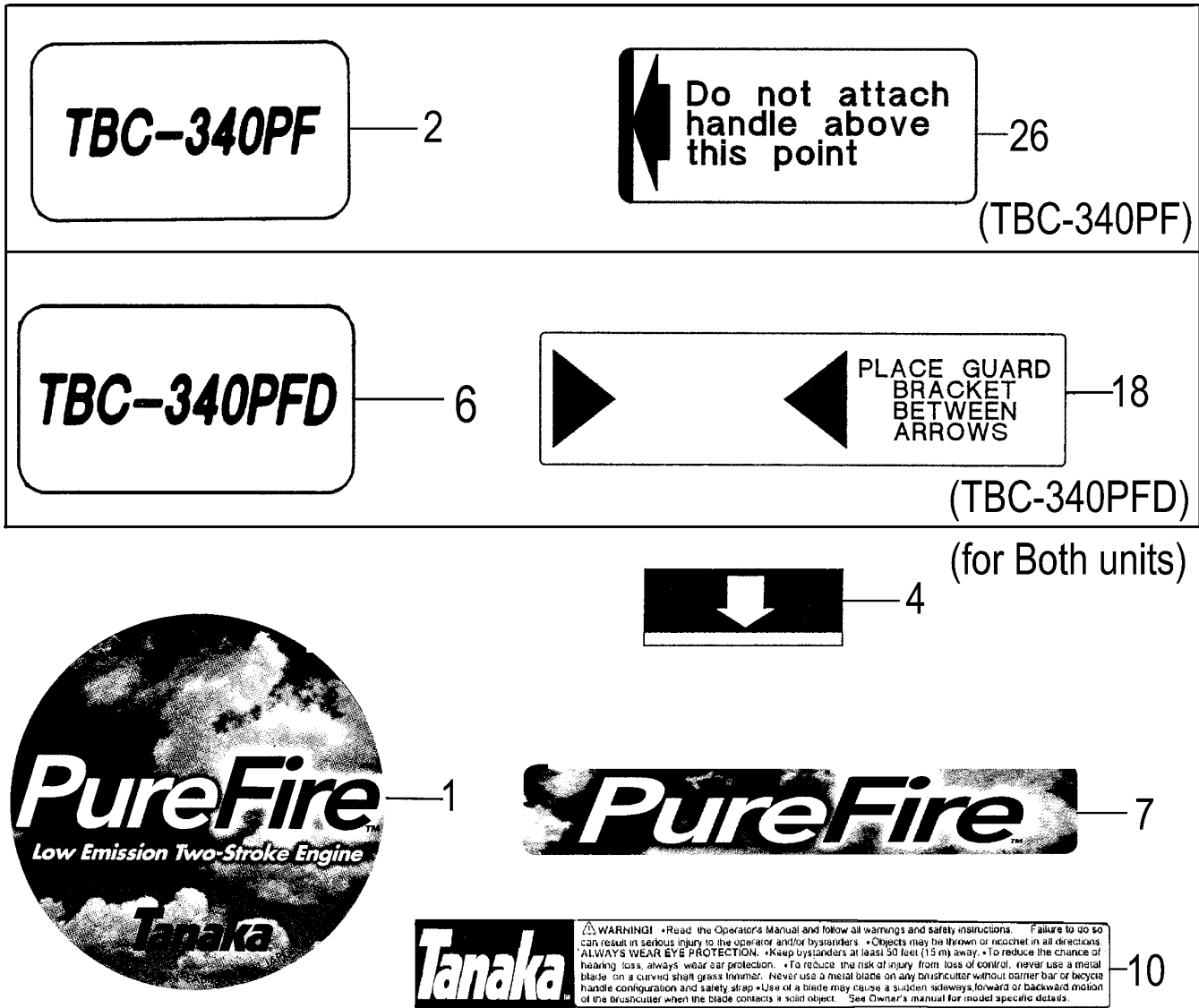
| ITEM | PART NUMBER | DESCRIPTION | QTY | COMMENTS |
|-------|-------------|----------------------------|-----|----------|
| 10-1 | 3003748090 | CASE, GEAR ASS'Y | 1 | |
| 10-2 | 99461050254 | BOLT, HEX HOLE, 5X25S | 2 | |
| 10-4 | 99351026002 | RING, STOP, IN, C-26 | 1 | |
| 10-5 | 99357010002 | RING, STOP, OUTER 10 | 1 | |
| 10-6 | 99961600002 | BEARING, BALL, #6000Z | 1 | |
| 10-7 | 99961600000 | BEARING, BALL, #6000 | 1 | |
| 10-9 | 3003748020 | CASE, GEAR | 1 | |
| 10-11 | 99461050124 | BOLT, HEX, 5X12S | 1 | |
| 10-12 | 3163815020 | BOLT, FITTING, M8 | 1 | |
| 10-13 | 99961609000 | BEARING, BALL, #609 | 1 | |
| 10-15 | 3043815020 | SHAFT, GEAR | 1 | |
| 10-16 | 99961620103 | BEARING, BALL #6201D | 1 | |
| 10-17 | 99351032002 | RING, STOP, C-32 IN | 1 | |
| 10-18 | 3103815020 | HOLDER, CUTTER | 1 | |
| 10-19 | 3113815020 | CAP, CUTTER HOLDER | 1 | |
| 10-21 | 3083815020 | COVER, BOLT PROTECTOR | 1 | |
| 10-22 | 3133815020 | NUT, FIXING L.H. 10X1.25 | 1 | |
| 10-23 | 3243815020 | WASHER, GEAR CASE | 1 | |
| 10-26 | 99481060254 | SCREW, HEX HOLE 6X25 | 2 | |
| 10-28 | 4423369921 | BRACKET | 1 | |
| 10-29 | 4413738020 | GUARD, SAFETY | 1 | |
| 10-30 | 4453738020 | HOLDER, GUARD | 1 | |
| 10-31 | 4473738020 | EXTENSION, GUARD | 1 | |
| 10-32 | 7973738021 | LIMITER, LINE | 1 | |
| 10-34 | 99414050121 | SCREW, S, 5X12 | 1 | |
| 10-35 | 3013748000 | SET, GEAR, PINION | 1 | |
| 10-36 | 99101050011 | NUT, 5 | 1 | |
| 10-45 | 3273718090 | PIN, COTTER 2X20 (10 PACK) | 1 | |



| ITEM | PART NUMBER | DESCRIPTION | QTY | COMMENTS |
|-------|-------------|-----------------------|-----|----------|
| 11-0 | 746451 | CUTTING HEAD | 1 | |
| 11-2 | 3563383B20 | ADAPTER, 10x1.25 LHF | 1 | |
| 11-3 | 7863383020 | BODY, CUTTING | 1 | |
| 11-4 | 3153383020 | NUT, SPECIAL | 1 | |
| 11-5 | 7933383020 | SPRING, REEL | 1 | |
| 11-6 | 7873383020 | REEL | 1 | |
| 11-7 | 7893383020 | CAP, BODY | 1 | |
| 11-8 | 7883383020 | EYELET | 2 | |
| 11-10 | 99201120011 | WASHER, 12 | 1 | |
| 11-30 | 81320000200 | WRENCH, HEX, 4 | 1 | |
| 11-31 | 8262000080 | SPANNER, COMBI, 17X19 | 1 | |



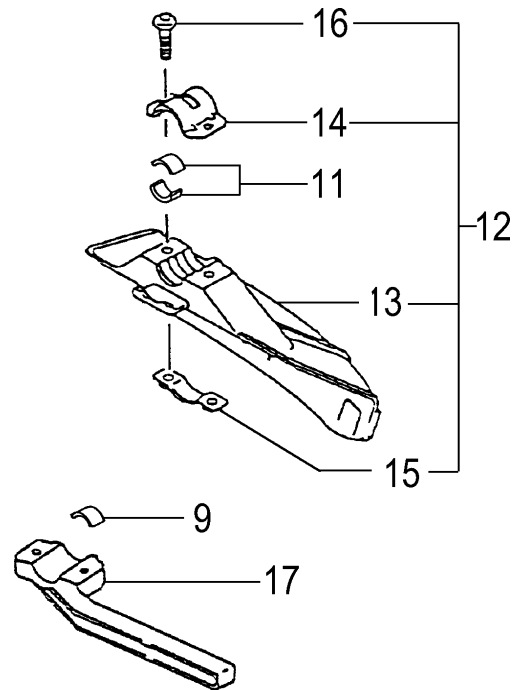
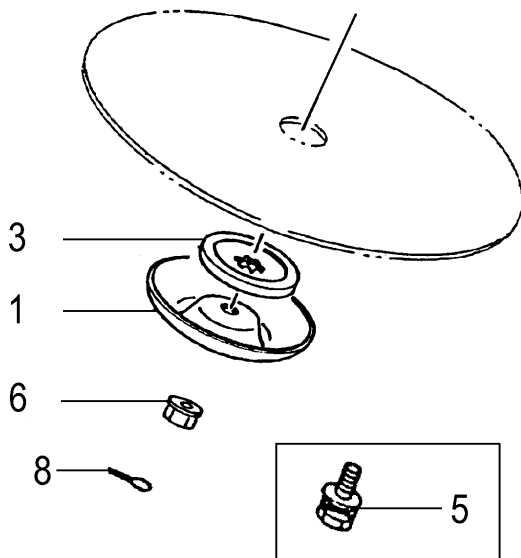
| ITEM | PART NUMBER | DESCRIPTION | QTY | COMMENTS |
|-------|-------------|-------------------------|-----|----------|
| 12-0 | 746451 | CUTTING HEAD | 1 | |
| 12-2 | 3563383B20 | ADAPTER, 10x1.25 LHF | 1 | |
| 12-3 | 7863383020 | BODY, CUTTING | 1 | |
| 12-4 | 3153383020 | NUT, SPECIAL | 1 | |
| 12-5 | 7933383020 | SPRING, REEL | 1 | |
| 12-6 | 7873383020 | REEL | 1 | |
| 12-7 | 7893383020 | CAP, BODY | 1 | |
| 12-8 | 7883383020 | EYELET | 2 | |
| 12-10 | 99201120011 | WASHER, 12 | 1 | |
| 12-29 | 746104 | BLADE, SAW, 9X80 | 1 | |
| 12-30 | 81320000200 | WRENCH, HEX, 4 | 1 | |
| 12-31 | 8262000080 | SPANNER, COMBI, 17X19 | 1 | |
| 12-35 | 6153722420 | COVER, 9-10" (SET OF 2) | 2 | |



| ITEM | PART NUMBER | DESCRIPTION | QTY | COMMENTS |
|-------|-------------|---------------------|-----|----------|
| 13-1 | 9060168020 | PLATE,NAME,PUREFIRE | 1 | |
| 13-2 | 9064825020 | DECAL,TBC-340PF | 1 | |
| 13-4 | 92337400200 | DECAL | 1 | |
| 13-6 | 9064825120 | DECAL,TBC-340PFD | 1 | |
| 13-7 | 9293810020 | DECAL,SYMBOL,PF | 1 | |
| 13-10 | 9193782020 | DECAL,CAUTION A | 1 | |
| 13-18 | 9233728620 | DECAL,LEVEL | 1 | |
| 13-26 | 9233738F20 | DECAL,LEVEL | 1 | |



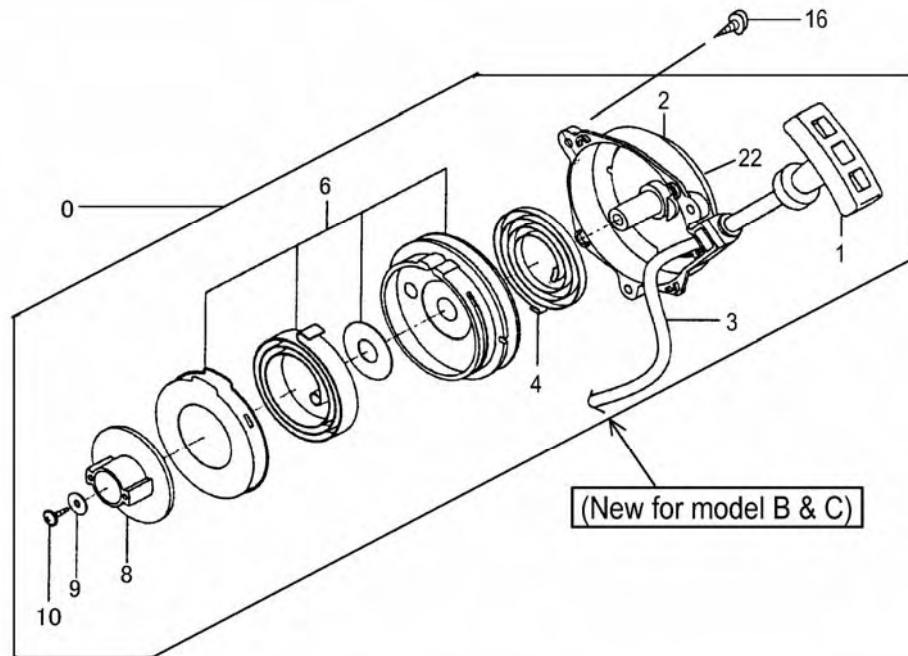
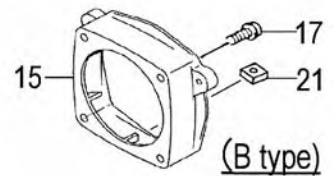
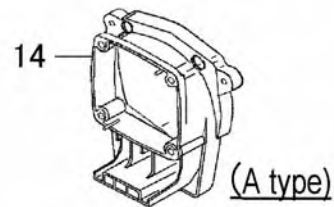
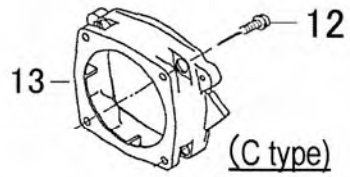
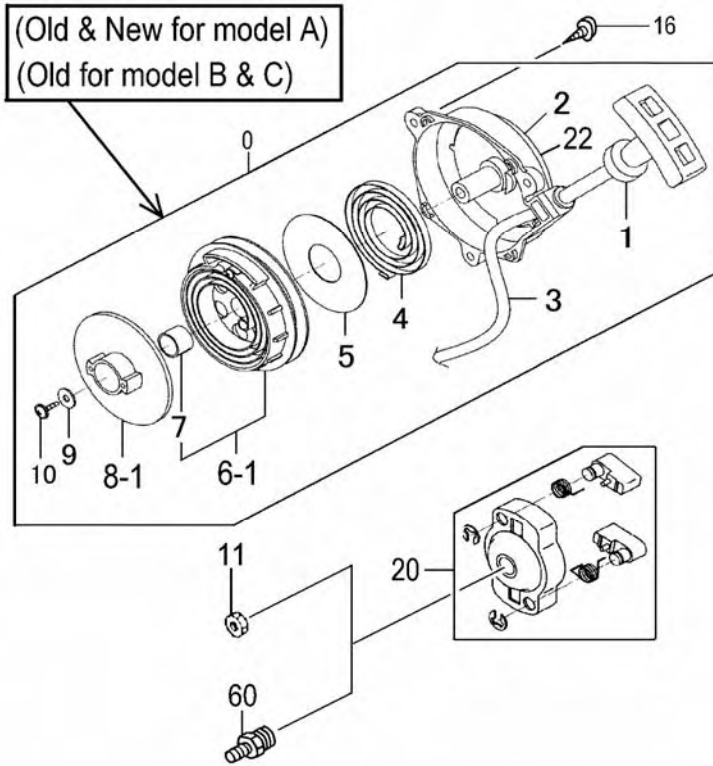
WARNING! Read the owners manual and follow all warnings and safety instructions. Failure to do so can result in serious injury to the operator and/or bystanders. Never attempt to mount a steel blade to a machine that is not specifically designed for that purpose. Never attempt to mount a steel blade without using all components of the blade attachment kit, including shoulder strap and barrier safety bar.



| ITEM | PART NUMBER | DESCRIPTION | QTY | COMMENTS |
|------|-------------|---------------------------|-----|---------------------------------------|
| 1 | 30833410200 | COVER,PROTECTION,B,8mm | 1 | 8mm |
| 1 | 3083786120 | COVER,BOLT PROTECTOR,10mm | 1 | 10mm |
| 3 | 3113754720 | CAP,CUTTER HOLDER,8mm | 1 | for use with 8x1.25 nut |
| 3 | 3113815020 | CAP,CUTTER HOLDER,10mm | 1 | for use with 10x1.25 nut |
| 5 | 3123338620 | BOLT,FLANGED,10x1.25,LH | 1 | 10x1.25 bolt |
| 6 | 3133754720 | NUT,FIXING L.H. 8X1.25 | 1 | 8x1.25 nut |
| 6 | 3133833220 | NUT,FIXING L.H.,10X1.25 | 1 | 10x1.25 nut |
| 8 | 3273718090 | PIN,COTTER 2X20 (10 PACK) | 1 | |
| 9 | 44437609200 | SPACER,BRACKET | 1 | for use with barrier bar, 24mm shafts |
| 11 | 44437609200 | SPACER,BRACKET | 2 | |
| 12 | 30060 | KIT,BLADE GUARD | 1 | |
| 13 | 4413738020 | GUARD,SAFETY | 1 | |
| 14 | 4423369921 | BRACKET,SAFETY GUARD | 1 | |
| 15 | 4453738020 | HOLDER,GUIDE | 1 | |
| 16 | 99481060254 | SCREW,HEX HOLE 6X25 | 2 | |
| 17 | 5203339820 | BAR,BARRIER 26mm | 1 | |
| 18 | 746191 | STRAP,SHOULDER,PSS-175 | 1 | Includes mounting bracket/hardware |

S · START KIT

| | Order Number |
|---|--------------|
| A --- TBC2501/D, TPH2501, TPS-2501, TPE2501 | 748733 |
| B --- TBC230/230B/230D | 748744 |
| C --- TBC290/290D/340/340D | 748732 |



S-Start Parts Information

| REF. NUMBER | PART NUMBER | DESCRIPTION | Q'TY | | |
|----------------|----------------|---------------------------|------|---|---|
| | | | A | B | C |
| | 756-07075-00 | S·START KIT (TBC2501) | 1 | | |
| | 756-07120-00 | S·START KIT (TBC230) | | 1 | |
| | 756-07027-00 | S·START KIT (TBC290) | | | 1 |
| 000 | 762-07075-90 | RECOIL STARTER BODY ASS'Y | 1 | | |
| 000 | 762-07085-90 | RECOIL STARTER BODY ASS'Y | | 1 | |
| 000 | 762-07027-90 | RECOIL STARTER BODY ASS'Y | | | 1 |
| 001 | 785-07085-20 | STARTER HANDLE | 1 | 1 | 1 |
| 002 | 772-07085-80 | RECOIL STARTER BODY COMP, | 1 | 1 | 1 |
| 003 | 783-07085-20 | RECOIL ROPE | 1 | 1 | 1 |
| 004 | 780-07085-20 | RECOIL SPRING | 1 | 1 | 1 |
| 005 | 786-07085-20 | SPRING PLATE | 1 | 1 | 1 |
| 006,1 | 778-07027-90 | RECOIL SPRING CASE ASS'Y | 1 | | 1 |
| 006,1 | 778-07085-90 | RECOIL SPRING CASE ASS'Y | | 1 | |
| 006,1 | 778-07075-90 | RECOIL SPRING CASE ASS'Y | 1 | | |
| 006 | 778-07085-91 | SORING CASE ASS'Y | | 1 | 1 |
| 007 | 328-07085-20 | STARTER BUSH | 1 | 1 | 1 |
| 008,1 | 774-07075-20 | STARTER PULLEY | 1 | | |
| 008,1 | 774-07085-20 | STARTER PULLEY | | 1 | |
| 008,1 | 774-07027-20 | STARTER PULLEY | | | 1 |
| 008 | 774-07085-21 | STARTER PULLEY | | 1 | |
| 009 | 182-07085-20 | SPECIAL WASHER 5.2X15 | 1 | 1 | 1 |
| 010 | 990-72050-144 | TAPPING SCREW 5X14 | 1 | 1 | 1 |
| 011 | 991-01080-011 | HEX. NUT 8 | | | 1 |
| 012 | 994-64040-185 | HEX. HOLE BOLT 4X18WS | | | 4 |
| 013 | 806-07027-20 | STARTER BASE | | | 1 |
| 014 | 806-07070-20 | STARTER BASE | 1 | | |
| 015 | 806-07120-20 | STARTER BASE | | 1 | |
| 016 | 990-73045-144 | TAPPING SCREW 4.5X14 | 3 | 3 | 3 |
| 017 | 994-64040-125 | HEX. HOLE BOLT 4X12WS | | 4 | |
| 020 | 798-07085-90 | STARTER PULLEY ASS'Y | 1 | 1 | 1 |
| 021 | 991-91050-001 | SQUARE NUT 5 | | 1 | |
| 022 | 915-07078-20 | STARTER MARK (S·START) | 1 | 1 | 1 |
| 060 | 314-07070-20 | SPECIAL BOLT | 1 | | |