

# Operator's Manual

# 100/150/200 Amp Automatic Transfer Switch

with Service Disconnect and  
Symphony™ II Power Management System

Questions?

Help is just a moment away!

Call: Transfer Switch Helpline

800-743-4115 Monday - Friday 8:00 AM - 5:00 PM Central Time



**Thank you** for your purchase of this Briggs & Stratton® automatic transfer switch. This product is designed for use with specific home standby generators and may not function with generators or remote modules produced by other manufacturers. Seek a qualified electrical professional to determine applicability of this equipment to equipment manufactured by others. When operated and maintained according to the instructions in this manual, your system will provide many years of dependable service.

This manual contains safety information to make you aware of the hazards and risks associated with this system and how to avoid them. We have made every effort to provide for a safe, streamlined and cost-effective installation. As each installation is unique, it is impossible to know of and advise of all conceivable procedures and methods by which installation might be achieved. We do not know all possible hazards and/or the results of each possible method or procedure. It is important that you read and understand these instructions thoroughly before attempting to install or operate this equipment. **Save these original instructions for future reference.**

This transfer switch and optional remote modules require professional installation before use. Refer to the Installation Manual and the installation instructions packaged with the remote modules for instructions on installation procedures. Only licensed electrical contractors should install transfer switches and remote modules. Installations must strictly comply with all applicable federal, state and local codes, standards and regulations. Your installer should follow the instructions completely.

## **Where to Find Us**

You never have to look far to find Briggs & Stratton support and service for your system. Consult your Yellow Pages. There are many authorized service dealers who provide quality service. You can also contact Technical Service by phone at 800-743-4115 between 8:00 AM and 5:00 PM CT, or click on Find a Dealer at [BRIGGSandSTRATTON.COM](http://BRIGGSandSTRATTON.COM), which provides a list of authorized dealers.

NOT  
for  
REPRODUCTION

# Table of Contents

<b>Important Safety Instructions</b> .....	<b>4</b>
<b>Installation</b> .....	<b>5</b>
Home Owner Responsibilities .....	5
Owner Orientation .....	5
Installing Dealer/Contractor Responsibilities .....	5
Equipment Description .....	6
Delivery Inspection .....	7
Testing the Automatic Transfer Switch .....	7
<b>Controls</b> .....	<b>8</b>
<b>Operation</b> .....	<b>8</b>
Enclosure Door .....	8
Symphony™ II Power Monitor (Optional) .....	9
<b>Maintenance</b> .....	<b>10</b>
<b>Product Specifications</b> .....	<b>12</b>

NOT  
for  
REPRODUCTION

# Save These Instructions

## Important Safety Instructions

SAVE THESE INSTRUCTIONS - This manual contains important instructions that should be followed during installation and maintenance of the equipment.

### Safety Symbols and Meanings



Electrical Shock



Read Manual

▲ The safety alert symbol indicates a potential personal injury hazard. A signal word (DANGER, WARNING, or CAUTION) is used with the alert symbol to designate a degree or level of hazard seriousness. A safety symbol may be used to represent the type of hazard. The signal word NOTICE is used to address practices not related to personal injury.

▲ **DANGER** indicates a hazard which, if not avoided, will result in death or serious injury.

▲ **WARNING** indicates a hazard which, if not avoided, could result in death or serious injury.

▲ **CAUTION** indicates a hazard which, if not avoided, could result in minor or moderate injury.

**NOTICE** addresses practices not related to personal injury.

The manufacturer cannot possibly anticipate every possible circumstance that might involve a hazard. The warnings in this manual, and the tags and decals affixed to the unit are, therefore, not all-inclusive. If you use a procedure, work method or operating technique that the manufacturer does not specifically recommend, you must satisfy yourself that it is safe for you and others. You must also make sure that the procedure, work method or operating technique that you choose does not render the equipment unsafe.

▲ **WARNING** Certain components in this product and related accessories contain chemicals known to the State of California to cause cancer, birth defects, or other reproductive harm. Wash hands after handling.

**NOTICE** Only qualified electricians should attempt installation of this equipment, which must strictly comply with applicable codes, standards and regulations.

▲ **WARNING** Shock Hazard. Installing low and high voltage wire in same conduit could result in death or serious injury.



- Do not run low and high voltage wire in the same conduit unless the insulation rating on ALL wiring is rated for 600V. See NEC for more information.

▲ **WARNING** Shock Hazard. Failure to properly ground equipment could cause electrocution resulting in death or serious injury.



- Do not touch bare wires.
- Do not use equipment with worn, frayed, bare or otherwise damaged wiring.
- Do not handle electrical cords while standing in water, while barefoot, or while hands or feet are wet.
- If you must work around a unit while it is operating, stand on an insulated dry surface to reduce shock hazard.
- Do not allow unqualified persons or children to operate or service equipment.
- In case of an accident caused by electrical shock, immediately shut down all sources of electrical power and contact local authorities. Avoid direct contact with the victim.

▲ **WARNING** Shock Hazard. Equipment contains high voltage that could cause electrocution resulting in death or serious injury.



- Do not operate this equipment imprudently, carelessly or neglect its maintenance.

**NOTICE** Improper treatment of equipment could damage it and shorten its life.

- Use equipment only for intended uses.
- If you have questions about intended use, ask dealer or contact Briggs & Stratton Power Products.
- Do not expose equipment to excessive moisture, dust, dirt, or corrosive vapors.
- Remain alert at all times while working on this equipment. Never work on the equipment when you are physically or mentally fatigued.
- If connected devices overheat, turn them off and turn off their circuit breaker/fuse.

## Installation

We sincerely appreciate your patronage and have made significant effort to provide for a safe, streamlined and cost-effective installation. Because each installation is unique, it is impossible to know of and advise the trade of all conceivable procedures and methods by which installation might be achieved. Neither could we know of possible hazards and/or the results of each method or procedure.

For these reasons, **only current licensed electrical professionals should attempt system installations. Installations must strictly comply with all applicable codes, industry standards and regulations.**

Your equipment is supplied with this Operator's Manual and an Installation Manual. These are important documents and should be retained by the owner after the installation has been completed.

Every effort has been made to make sure that the information in this manual is both accurate and current. However, the manufacturer reserves the right to change, alter or otherwise improve the system at any time without prior notice.

**NOTICE** Before drilling conduit entry holes, or any other holes, cover and protect the switch and electronics to prevent dirt and metal fragments from entering the mechanical and electrical components. Failure to do so may result in damage or malfunction of the switch.

**NOTICE** Use a vacuum to clean any dirt or metal shavings inside the transfer switch. Do not use a blower or compressed air to clean the inside of the transfer switch because debris may become lodged in the electrical and mechanical components causing damage or malfunction.

### Home Owner Responsibilities

To help you make informed choices and communicate effectively with your installation contractor(s), **read and understand Owner Orientation before contracting or starting your equipment installation.**

To arrange for proper installation, contact the store at which you purchased your equipment, your dealer, or your utility power provider.

**The equipment warranty is VOID unless the system is installed by licensed electrical professionals.**

### Owner Orientation

The illustrations provided are for typical circumstances and are meant to familiarize you with the installation options available with your system.

Local codes, appearance, and distances are the factors that must be considered when negotiating with an installation professional. As the distance from the existing electrical service increases, compensation in wiring materials must be allowed for. This is necessary to comply with local codes and overcome electrical voltage drops.

**These factors will have a direct effect on the overall price of your equipment installation.**

Your installer must check local codes AND obtain permits before installing the system.

- Read and follow the instructions given in this manual.
- Follow a regular schedule in caring for and using your equipment, as specified in this manual.

### Installing Dealer/Contractor Responsibilities

- Read and observe the Important Safety Instructions.
- Read and follow the instructions given in this manual.
- The installer may need to provide appropriate rated contactors based on loads to be controlled.
- Discuss with owner their load priority preferences to decide on remote module priority settings.
- Check federal, state and local codes and authority having jurisdiction, for questions on installation.
- Ensure generator is not overloaded with selected loads.

If you need more information about the transfer switch, call 800-743-4115, between 8:00 AM and 5:00 PM CT.

## Equipment Description

The transfer switch is designed to transfer selected loads found in normal residential installations to standby power in the event of a primary power outage. The load is connected either to utility power (normal) or home standby power (generator). The transfer switch monitors utility and generator voltages and will automatically connect loads to the appropriate source of power.

The Symphony™ II Power Management System is highly flexible and utilizes individual high and low voltage modules that can be mounted anywhere between the home's main distribution panel and the managed appliance. Designed to communicate via your home's existing power wiring, the power demand and priority sequence of up to 8 appliance loads are relayed back to the standby generator, effectively preventing generator overload while expanding power range and performance. The system is scalable and additional relays can be added as a homeowner's power management needs change over time.

Only a licensed electrician should complete a home standby installation. Service conduit and conductors can be wired directly from the watt-hour meter to the transfer switch. A separate service entrance disconnect and associated wiring is not required when installed per applicable federal, state and local codes, standards and regulations.

Major components of the transfer switch are a 2 pole utility disconnect circuit breaker, a 2 pole generator disconnect circuit breaker, a 2 pole double throw transfer switch, transfer switch control circuit board, Symphony II power management system control circuit board, fused utility terminals and interconnecting wiring. All of these components are housed in a NEMA 3R enclosure that is suitable for both indoor and outdoor installations.

The transfer switch is solenoid-operated from utility or generator inputs and contain suitable mechanical and electrical interlock switches to eliminate the possibility of connecting the utility service to the generator output. It has ratings capable of switching full utility power into the residence. In addition, a manual override lever is provided for the transfer function.

The transfer switch control board has active circuits sensing utility and generator voltages. It creates a signal for generator start-up, switch transfer and retransfer when utility is restored. The transfer switch control board provides status LED's to indicate the power source available.

The Symphony™ II power management system control board contains a test button, a status LED and eight priority load LED's. It creates and sends signals to optional remote modules, instructing them when to add (turn power on) or shed (turn power off) the managed load.

The Symphony II system power line carrier technology has been rigorously tested and has proven to be very robust. However, certain types of devices and appliances in the home generate 'noise' on the power line. Such devices may include non-residential fluorescent ballasts, dimmers, speed controls (lighting and fans), bathroom equipment, kitchen equipment, power tools, phone chargers, and power supplies. These types of devices have the greatest impact on power line communication when located close to a remote module.

AM broadcast radio, X10, power line carrier (PLC), uninterrupted power supply (UPS), transient voltage surge suppression (TVSS) systems, and power filter technology may also cause the Symphony II system to not operate as intended. They may cause interference with the Symphony II system during standby power operation.

If it is determined that power line noise is causing a communication issue with the Symphony II system, the following changes may remedy the issue.

- Have commercial (non consumer use) fluorescent ballasts replaced with residential use ballasts.
- Have a EMI/RFI filter installed in series and near the problematic device.
- Have the remote module rewired to the opposite power line (Line 1 or Line 2) from that of the problematic device.
- Refer to Troubleshooting section.

The optional 50 Amp remote module is designed for control by the Symphony II system to add or shed appliance loads connected to it based on a user-defined priority setting. This remote module manages 120VAC or 240VAC, single or double pole loads up to 50 amperes. The remote module's relay state is normally open. Its components are housed in a NEMA 4 enclosure suitable for indoor and outdoor installations.

The optional low voltage remote module is designed for control by the Symphony II system to add or shed an air conditioner, heat pump, or low voltage contactor controlled loads based on a user-defined priority setting. The remote module is housed in a NEMA 4 enclosure suitable for indoor and outdoor installations.

## Delivery Inspection

After opening the carton, carefully inspect the transfer switch components for any damage that may have occurred during shipment.

If loss or damage is noted at time of delivery, have the person(s) making delivery note all damage on the freight bill and affix his signature under the consignor's memo of loss or damage. If loss or damage is noted after delivery, contact the carrier for claim procedures. Missing or damaged parts are not warranted.

### Shipment contents:

- Automatic transfer switch
- Installation and operator's manuals
- Current transformers (2)

### Optional components:

- 50 Amp module
- Low voltage module (single or dual models)
- Symphony™ II power monitor

### To be supplied by installer:

- Connecting wire and conduit
- Various specialty tools/equipment

## Testing the Automatic Transfer Switch

 **WARNING** Shock Hazard. Equipment contains high voltage that could cause electrocution resulting in death or serious injury.

- Testing must only be performed by qualified personnel.
- Do not operate this equipment imprudently, carelessly or neglect its maintenance.

Turn the utility service disconnect circuit breaker feeding the transfer switch contactor to the OFF position. The system's automatic sequence described below will initiate. To return to utility power, turn the utility service disconnect circuit breaker to the ON position.

### Utility Fail

The generator senses when utility voltage is below 70 percent of nominal. Engine start sequence is initiated after 6 second time delay.

### Engine Warm-Up

Time delay to allow for engine warm-up before transfer. Use jumper on transfer switch control board to select delay of 20 seconds or 50 seconds.

### Transfer

Transfer from utility to generator supply occurs after voltage is above set levels. The transfer switch control board LED lights will change from green (utility) to red (generator) and the Symphony II status light will change blink status from Blink\_Blink\_Pause\_Blink to Blink\_Pause\_Blink. Minimum engine run time is 5 minutes after transfer.

### Load Management

Five minutes after transfer to generator power, the remote modules energize connected load(s) if generator power is available, starting with the highest priority (1) through the lowest priority (8). There is a 10 second delay between each sequential activation.

The P1 through P8 LED's (**A**) on the Symphony II control board will illuminate to show loads being added.

Loads connected to remote modules set to priorities 9 and 10 remain off for the duration of a utility power outage.

### Utility Pickup

Voltage pickup level is 80 percent of nominal voltage.

### Retransfer

Retransfer from generator to utility power is approximately 10 seconds after utility voltage supply is above pickup level and minimum run time is completed. All remote module(s) will remain OFF for five minutes after the power transfer.

### Engine Cool Down

Engine will run for 60 seconds after retransfer.

## Controls

Other than a Manual Override lever, there are no operator controls because this is an automatic transfer switch. The manual override is to be used only by licensed professionals. Information on handle use can be obtained by calling Technical Service at 800-743-4115.

## Operation

To select automatic transfer operation, do the following:

1. In transfer switch, set utility disconnect circuit breaker to **ON** position.
2. In transfer switch, set generator disconnect circuit breaker to **ON** position.
3. Install 15 Amp fuse in generator's control panel.
4. Set generator's circuit breaker to **ON** position.
5. Set generator's system switch to **AUTO** position.

The system will now be in automatic operation mode.

When the generator is providing power to the transfer switch, the transfer switch control board is constantly monitoring generator power and communicating with the Symphony II system control board.

The Symphony II system will control up to 8 priorities, with priority 9 and 10 as lockouts. When total generator load meets a preset value, the Symphony II system control board will start shedding loads, starting with the lowest priority (highest number) load. The Symphony II system will add or shed managed loads based on the generator output capacity and priority settings.

The Symphony II system waits 10 seconds between adding or shedding each load to permit the system to stabilize. If too much load demand is seen, the Symphony II system will shed all managed loads quickly to prevent the generator from overloading. Once the load demand has stabilized, the Symphony II system will re-load the generator after a 5 minute delay, as described above.

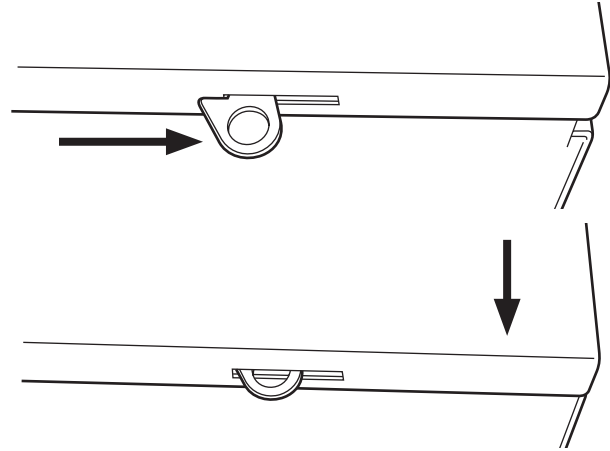
There is a minimum five minute delay between the time utility power is lost and priority 1 loads are energized by the Symphony II system.

Be aware that managed heating element energy loads (such as electric range burners, oven, or space heaters) that were ON when utility power was lost, will be ON when the generator begins supplying power. It is advised that the owner check all such managed devices to ensure they are turned OFF before generator power appears.

Managed devices like clothes dryers that require pressing a START button will not resume operation unless the START button is pressed after generator power begins.

## Enclosure Door

To open transfer switch door, press the spring-load door lock to the right and pull down on the door.

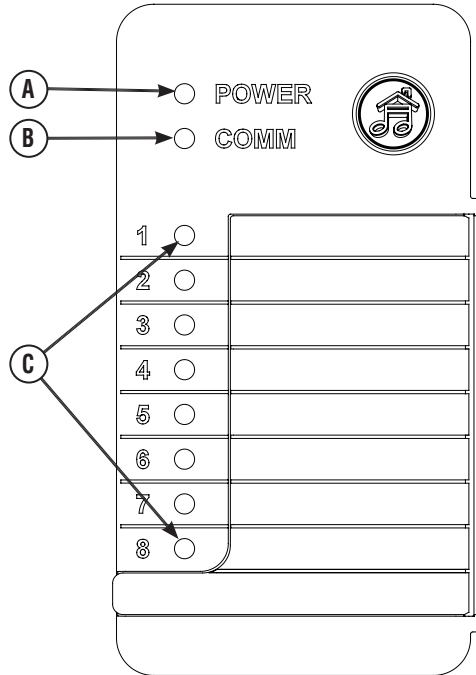


To close and latch door, push door closed against enclosure. While in this position, push door upwards. This will cause spring-load door lock to engage and latch door in place. Enclosure door **MUST** be closed and latched at all times except when system is being serviced.



## Symphony™ II Power Monitor (Optional)

For your convenience, a Symphony II Power Monitor is available, which provides a visual “on/off” status of each managed appliance/load. A series of LED lights are ON when an appliance has generator power and OFF when the appliance is in a shed mode or does not have power. When on generator power, the consumer can see which appliances are being managed.



A decal is provided that can be labeled with the managed appliances/loads and placed next to each priority LED.

The monitor is plugged into any convenient standard outlet within the home and constantly receives system status via the power line communication technology utilized by the Symphony II Power Management System during generator power.

## Symphony II Power Monitor (Optional)

### POWER LIGHT (A)

When lit, indicates that monitor detects outlet power.

When not lit, indicates that no power is present at outlet.

### COMM (communication status) LIGHT (B)

When lit, indicates that unit is receiving signals from the Symphony II controller.

When not lit, indicates that utility power is present or a fault in Symphony II controller.

### PRIORITY LIGHTS/LED's (C)

When green LED is lit, indicates that optional remote module set to that priority is supplying power to connected load during generator power.

When not lit, indicates that optional remote module set to that priority is set to OFF (being managed and Symphony II System is not allowing power to the unit).

All lights/LED's are OFF when utility power is present.

<b>System Lights</b>	
<input type="radio"/>	<b>POWER</b> Monitor ON
<input type="radio"/>	<b>COMM</b> Modules ACTIVE
<b>Priority Lights 1-8</b>	
<input type="radio"/>	<b>GREEN</b> Power ON*
<input type="radio"/>	<b>NOT LIT</b> Power OFF* <small>*Possible 5 minute delay.</small>
<b>Blocked Items</b>	
_____	
_____	
<b>Questions?</b>	
Call 800-743-4115	
312113	

## Maintenance

The transfer switch is designed to be maintenance free under normal usage. However, inspection and maintenance checks should be made on a regular basis. Maintenance will consist mainly of keeping the transfer switch clean.

Visual inspections should be done at least three times each year. Access to the transfer switch and optional remote modules must not be obstructed. Keep 3 feet (92 cm) clearance around transfer switch. Check for an accumulation of dirt, moisture and/or corrosion on and around the enclosure, loose parts/hardware, cracks and/or discoloration to insulation, and damaged or discolored components.

Exercise the transfer switch and Symphony II system at least once every three months as described in Testing the Automatic Transfer Switch and in Testing the Symphony II Power Management System unless a power outage occurs and the entire home generator system has gone through an automatic sequence. Allow generator to run for at least 10 minutes during exercise cycle.

Contact a licensed electrical professional to inspect and clean the inside of the enclosure and other components of your home generator system at least once a year.

## When Calling for Assistance

You must have the Model Number and Serial Number from each transfer switch or remote module ID label at hand if it is necessary to contact a local service center regarding service or repair. Obtain this information from the unit ID labels located on or inside device. For convenience, record the information on the inside front cover of this manual.

To contact Briggs & Stratton call **800-743-4115**, between 8:00 AM and 5:00 PM CT.

NOT  
for  
REPRODUCTION

## BRIGGS & STRATTON TRANSFER SWITCH OWNER WARRANTY POLICY

Effective November 1, 2005 replaces all undated Warranties and all Warranties dated before November 1, 2005

### LIMITED WARRANTY

Briggs & Stratton will repair or replace, free of charge, any part(s) of the equipment that is defective in material or workmanship or both. Transportation charges on product submitted for repair or replacement under this warranty must be borne by purchaser. This warranty is effective for the time periods and subject to the conditions stated below. For warranty service, find the nearest Authorized Service Dealer in our dealer locator map at [BRIGGSandSTRATTON.COM](http://BRIGGSandSTRATTON.COM).

THERE IS NO OTHER EXPRESS WARRANTY. IMPLIED WARRANTIES, INCLUDING THOSE OF MERCHANTABILITY AND FITNESS FOR A PARTICULAR PURPOSE, ARE LIMITED TO ONE YEAR FROM PURCHASE, OR TO THE EXTENT PERMITTED BY LAW. ANY AND ALL IMPLIED WARRANTIES ARE EXCLUDED. LIABILITY FOR INCIDENTAL OR CONSEQUENTIAL DAMAGES ARE EXCLUDED TO THE EXTENT EXCLUSION IS PERMITTED BY LAW. Some states or countries do not allow limitations on how long an implied warranty lasts, and some states or countries do not allow the exclusion or limitation of incidental or consequential damages, so the above limitation and exclusion may not apply to you. This warranty gives you specific legal rights and you may also have other rights which vary from state to state or country to country.

### WARRANTY PERIOD

Consumer Use	3 years
Commercial Use	None

The warranty period begins on the date of purchase by the first retail consumer or commercial end user, and continues for the period of time stated in the table above. "Consumer use" means personal residential household use by a retail consumer. "Commercial use" means all other uses, including use for commercial, income producing or rental purposes. Once equipment has experienced commercial use, it shall thereafter be considered as commercial use for purposes of this warranty. Equipment used for prime power in place of utility are not applicable to this warranty.

NO WARRANTY REGISTRATION IS NECESSARY TO OBTAIN WARRANTY ON BRIGGS & STRATTON PRODUCTS. SAVE YOUR PROOF OF PURCHASE RECEIPT. IF YOU DO NOT PROVIDE PROOF OF THE INITIAL PURCHASE DATE AT THE TIME WARRANTY SERVICE IS REQUESTED, THE MANUFACTURING DATE OF THE PRODUCT WILL BE USED TO DETERMINE THE WARRANTY PERIOD.

### ABOUT YOUR WARRANTY

We welcome warranty repair and apologize to you for being inconvenienced. Any Authorized Service Dealer may perform warranty repairs. Most warranty repairs are handled routinely, but sometimes requests for warranty service may not be appropriate. For example, warranty service would not apply if equipment damage occurred because of misuse, lack of routine maintenance, shipping, handling, warehousing or improper installation. Similarly, the warranty is void if the manufacturing date or the serial number on the equipment has been removed or the equipment has been altered or modified. During the warranty period, the Authorized Service Dealer, at its option, will repair or replace any part that, upon examination, is found to be defective under normal use and service. This warranty will not cover the following repairs and equipment:

- **Normal Wear:** Outdoor Power Equipment, like all mechanical devices, needs periodic parts and service to perform well. This warranty does not cover repair when normal use has exhausted the life of a part or the equipment.
- **Installation and Maintenance:** This warranty does not apply to equipment or parts that have been subjected to improper or unauthorized installation or alteration and modification, misuse, negligence, accident, overloading, improper maintenance, repair or storage so as, in our judgment, to adversely affect its performance and reliability. This warranty also does not cover normal maintenance such as adjustments, cleaning and fuse replacement.
- **Other Exclusions:** This warranty excludes wear items or damage or malfunctions resulting from accidents, abuse, modifications, alterations, or improper servicing. Accessory parts are excluded from the product warranty. This warranty excludes failures due to acts of God and other force majeure events beyond the manufacturers control. Also excluded is used, reconditioned, and demonstration equipment. 198180E, Rev. C, 12/31/2006

BRIGGS & STRATTON  
MILWAUKEE, WI, USA

# Automatic Transfer Switch

## Product Specifications

### Model 071048

Rated Maximum Load Current a 25°C (77°F)* .....	100 Amps
Rated AC Voltage .....	250 Volts
Poles .....	2
Frequency .....	60 Hz
Fault Current Rating .....	22,000 RMS Symmetrical Amperes on Utility Side ..... 10,000 RMS Symmetrical Amperes on Generator Side
Normal Operating Range .....	-28.8°C (-20°F) to 40°C (104°F)
Weight .....	27 kg (59 lbs)

### Model 071049

Rated Maximum Load Current a 25°C (77°F)* .....	200 Amps
Rated AC Voltage .....	250 Volts
Poles .....	2
Frequency .....	60 Hz
Fault Current Rating .....	25,000 RMS Symmetrical Amperes on Utility Side ..... 10,000 RMS Symmetrical Amperes on Generator Side
Normal Operating Range .....	-28.8°C (-20°F) to 40°C (104°F)
Weight .....	28 kg (63 lbs)

This transfer switch is a UL Listed device.

### Model 071054

Rated Maximum Load Current a 25°C (77°F)* .....	200 Amps
Rated AC Voltage .....	250 Volts
Poles .....	2
Frequency .....	60 Hz
Fault Current Rating .....	25,000 RMS Symmetrical Amperes on Utility Side ..... 10,000 RMS Symmetrical Amperes on Generator Side
Normal Operating Range .....	-28.8°C (-20°F) to 40°C (104°F)
Weight .....	28 kg (63 lbs)

### Model 071070

Rated Maximum Load Current a 25°C (77°F)* .....	150 Amps
Rated AC Voltage .....	250 Volts
Poles .....	2
Frequency .....	60 Hz
Fault Current Rating .....	25,000 RMS Symmetrical Amperes on Utility Side ..... 10,000 RMS Symmetrical Amperes on Generator Side
Normal Operating Range .....	-28.8°C (-20°F) to 40°C (104°F)
Weight .....	28 kg (63 lbs)

# Manual operativo

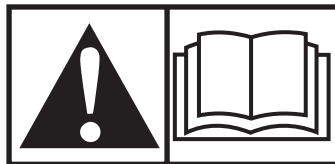
## **100/150/200 Amperios Interruptor de transferencia automática con seccionador de servicio y sistema de gestión de energía Symphony™ II**

**Preguntas?**

**La ayuda es justa un momento lejos!**

**Llamada: Línea Directa de generador de hogar**

**800-743-4115 M-F 8-5 CT**



**Gracias** por comprar este conector automático de Briggs & Stratton®. Este producto está diseñado para utilizarse con generadores de reserva domésticos específicos y puede no funcionar con generadores o módulos remotos producidos por otros fabricantes. Recorra a un electricista profesional cualificado para determinar si este equipo se puede utilizar con equipo fabricado por terceros. Si se utiliza y mantiene de acuerdo con las instrucciones de este manual, su sistema le proporcionará muchos años de funcionamiento fiable.

Este manual contiene información de seguridad para que usted conozca los peligros y riesgos propios de este sistema y cómo evitarlos. Se ha realizado el máximo esfuerzo para que la instalación resulte segura, sencilla y económica. Debido a que cada instalación es única, es imposible conocer y recomendar todos los procedimientos y métodos posibles para efectuarla. No conocemos todos los riesgos y/o resultados posibles de cada método o procedimiento existente. Es importante que lea y comprenda perfectamente estas instrucciones antes de intentar instalar o utilizar este equipo. **Guarde estas instrucciones para futuras consultas.**

Este conector y los módulos remotos opcionales deben ser instalados por un profesional antes de utilizarlos. Consulte la sección de instalación de este manual y las instrucciones de instalación que vienen con los módulos remotos. Los conectores y los módulos remotos sólo deben ser instalados por electricistas con licencia. Las instalaciones deben cumplir estrictamente la totalidad de los códigos, estándares y regulaciones federales, estatales y locales vigentes. El instalador debe seguir las instrucciones detalladamente.

### **Para futuras consultas**

Llene la siguiente información y conserve su factura para facilitar la identificación de la unidad en caso de que surjan problemas relacionados con la compra en el futuro.

NOT  
for  
REPRODUCTION

# Tabla de contenido

<b>Instrucciones Importantes de Seguridad</b> .....	<b>4</b>
<b>Instalación</b> .....	<b>5</b>
Responsabilidades del propietario .....	5
Orientación al propietario .....	5
Responsabilidades del distribuidor / técnico instalador .....	5
Descripción del equipo .....	5
Inspección en el momento de la entrega .....	6
<b>Controles</b> .....	<b>8</b>
<b>Funcionamiento</b> .....	<b>8</b>
Puerta de la caja .....	8
Monitor de alimentación Symphony™ II (opcional) .....	9
<b>Mantenimiento</b> .....	<b>10</b>
<b>Especificaciones del producto</b> .....	<b>12</b>

NOT  
for  
REPRODUCTION

## Guarde estas instrucciones

### Instrucciones importantes de seguridad

GUARDE ESTAS INSTRUCCIONES - Este manual contiene instrucciones importantes que se deben seguir durante la instalación y el mantenimiento del equipo.

### Símbolos sobre la seguridad y significados



Descarga eléctrica



Lea el manual

▲ El símbolo de alerta de seguridad indica un posible riesgo para su integridad física. Se utiliza una palabra de señalización (PELIGRO, ADVERTENCIA o ATENCIÓN) junto con el símbolo de alerta para designar un grado o nivel de gravedad de riesgo. Se puede utilizar un símbolo de seguridad para representar el tipo de riesgo. La palabra de señalización AVISO se utiliza para hacer referencia a una práctica no relacionada con una lesión física.

▲ **PELIGRO** indica un riesgo que, de no evitarse, provocará la muerte o lesiones de gravedad.

▲ **ADVERTENCIA** indica un riesgo que, de no evitarse, podría provocar la muerte o lesiones de gravedad.

▲ **ATENCIÓN** indica un riesgo que, de no evitarse, podría provocar lesiones leves o moderadas.

**AVISO** hace referencia a una práctica no relacionada con una lesión física.

El fabricante no puede prever toda circunstancia que conlleve un riesgo potencial. Por tanto, las advertencias de este manual, así como las etiquetas y calcomanías adheridas a la unidad, no incluyen todos los riesgos posibles. Si utiliza un procedimiento, método de trabajo o técnica de uso no recomendado específicamente por el fabricante, deberá asegurarse de que es seguro tanto para usted como para otras personas. También deberá asegurarse de que el procedimiento, método de trabajo o técnica de uso que elija no hace que el equipo sea inseguro.

▲ **ADVERTENCIA** Determinados componentes en este producto y los accesorios relacionados contienen sustancias químicas declaradas cancerígenas, causantes de malformaciones, y otros defectos congénitos por el Estado de California. Lávese las manos después de manipular estos elementos.

**AVISO** La instalación de este equipo debe cumplir estrictamente la totalidad de los códigos, estándares y regulaciones vigentes, por lo que sólo debe ser llevada a cabo por un electricista cualificado.

▲ **ADVERTENCIA** Peligro de descarga. La instalación de un cable de baja y alta tensión en el mismo conducto podría provocar lesiones graves o incluso la muerte.



- No tienda un cable de baja y alta tensión en el mismo conducto a menos que el valor nominal de aislamiento en TODO el cableado sea de 600 V. Para obtener más información, consulte el NEC.

▲ **ADVERTENCIA** Peligro de descarga. Una conexión a tierra defectuosa del equipo podría provocar electrocución, así como lesiones graves o incluso la muerte.



- No toque los cables pelados.
- No utilice el equipo con cables desgastados, deshilachados o deteriorados de cualquier otra forma.
- No manipule los cables eléctricos si se encuentra en una zona húmeda, está descalzo o tiene las manos o los pies mojados.
- Si tiene que trabajar junto a una unidad en funcionamiento, manténgase en una superficie aislada y seca para reducir el riesgo de descarga eléctrica.
- No permita que personas no cualificadas o niños utilicen o reparen el equipo.
- En caso de accidente provocado por una descarga eléctrica, desconecte inmediatamente todos los suministros de energía eléctrica y póngase en contacto con las autoridades locales. Evite el contacto directo con la víctima.

▲ **ADVERTENCIA** Peligro de descarga. El equipo contiene alta tensión que podría provocar electrocución, así como lesiones graves o incluso la muerte.



- No utilice este equipo de un modo imprudente, sin tener cuidado o con negligencia en cuanto a su mantenimiento.

**AVISO** Un tratamiento inadecuado del equipo podría estropearlo y acortar su vida útil.

- Utilice el equipo sólo para los usos previstos.
- En caso de dudas sobre su uso, diríjase al distribuidor o a Briggs & Stratton Power Products.
- No exponga el equipo a un exceso de humedad, polvo, suciedad o vapores corrosivos.
- Manténgase alerta en todo momento cuando utilice este equipo. Nunca lo utilice ni manipule en condiciones de fatiga física o mental.
- Si se calientan excesivamente los dispositivos conectados, apáguelos y abra sus interruptores o quite sus fusibles.



## Instalación

Agradecemos sinceramente que nos haya elegido, por lo que hemos realizado un esfuerzo importante para que la instalación resulte segura, sencilla y económica. Debido a que cada instalación es única, es imposible conocer y recomendar todos los procedimientos y métodos posibles para efectuarla. Tampoco conocemos todos los riesgos y/o resultados posibles de cada método o procedimiento.

Por tanto, la instalación del sistema sólo puede ser llevada a cabo por electricistas profesionales con licencia vigente. Las instalaciones deben cumplir estrictamente la totalidad de los códigos, estándares de la industria y regulaciones vigentes.

Su equipo se suministra con este "Manual de instalación y del operario" combinado. Se trata de un documento importante que el propietario debe conservar después de haber terminado la instalación.

Se ha realizado el máximo esfuerzo para reunir en este manual la información más precisa y actualizada. No obstante, el fabricante se reserva el derecho de modificar, alterar o mejorar de cualquier otra forma el sistema en cualquier momento y sin previo aviso.

**AVISO** Antes de taladrar los orificios de entrada de conductos o cualquier orificio para montar accesorios, tape y proteja el conector y el panel de control para evitar que la suciedad y fragmentos de metal entren a los componentes mecánicos y eléctricos. No hacerlo puede provocar daños y fallos del conector.

**AVISO** Utilice una aspiradora para limpiar toda la suciedad o virutas de metal dentro del conector. No utilice un soplador o aire comprimido para limpiar el interior del conector ya que los residuos se pueden incrustar en los componentes mecánicos y eléctricos y provocar daños o fallos.

### Responsabilidades del propietario

Para tomar decisiones bien fundadas y comunicarse eficazmente con el técnico instalador, lea y comprenda la sección de Orientación al propietario antes de contratar o iniciar la instalación del equipo.

Para solicitar la instalación, póngase en contacto con la tienda en la que adquirió el equipo, con su distribuidor o con la compañía eléctrica.

La garantía del equipo quedará ANULADA a menos que electricistas profesionales con licencia instalen el sistema.

### Orientación al propietario

Las ilustraciones incluidas corresponden a circunstancias habituales y tienen por objeto familiarizarle con las opciones de instalación del sistema.

La normativa local, la apariencia y las distancias son los aspectos que deberán tenerse en cuenta al negociar la instalación con un profesional. Al aumentar la distancia desde el servicio eléctrico, se deberá prever una compensación en cables y otros materiales necesarios para cumplir la normativa local vigente y evitar caídas de tensión eléctrica.

Estos factores tendrán un efecto directo en el precio total de la instalación del equipo.

El instalador deberá comprobar la normativa local Y obtener los permisos correspondientes antes de instalar el sistema.

- Lea y siga las instrucciones que se indican en este manual.
- Siga un plan regular de cuidado y uso del equipo, como se indica en este manual.

### Responsabilidades del distribuidor / técnico instalador

- Lea y siga las instrucciones importantes de seguridad.
- Lea y siga las instrucciones que se indican en este manual.
- Es posible que el instalador tenga que proporcionar contactores nominales adecuados con base en las cargas que van a controlarse.
- Analice con el propietario la importancia de las prioridades de carga para decidir qué ajustes se realizarán en la prioridad de los módulos remotos.
- Si tiene dudas sobre la instalación, consulte los códigos federales, estatales y locales, así como a la autoridad competente.
- Asegúrese de que las cargas seleccionadas no sobrecarguen el generador.

Si necesita más información sobre el conector, llame al 800-743-4115 entre 8:00 a. m y 5:00 p. m., Hora del Centro.

### Descripción del equipo

El conector está diseñado para transferir las cargas seleccionadas de una instalación residencial normal al suministro de reserva en caso de una interrupción de alimentación primaria. La carga se conecta al suministro de alimentación de la red pública (normal) o al suministro doméstico de reserva (generador). El conector monitoriza las tensiones de la red pública y del generador y conecta automáticamente las cargas a la fuente de alimentación apropiada.

El sistema de gestión de energía Symphony™ II es muy flexible y utiliza módulos de tensión alta y baja individuales que se pueden montar en cualquier lugar entre el panel de distribución principal doméstico y el aparato gestionado. Dado que está diseñado para comunicarse a través del cableado de alimentación doméstico existente, la demanda de alimentación y la secuencia de prioridades de hasta 8 cargas de aparatos se transmiten de vuelta al generador de reserva, lo que evita con eficacia que el generador se sobrecargue y amplía el alcance y la eficiencia de la alimentación. El sistema puede crecer y se pueden añadir relés adicionales conforme cambien las necesidades de gestión de alimentación del propietario doméstico con el paso del tiempo.

Sólo un electricista con licencia debe realizar la instalación doméstica de reserva. El conducto y los conductores de servicio se pueden cablear directamente desde el contador de vatios/hora hasta el conector. No es necesario instalar un seccionador de entrada de servicio distinto, con su correspondiente cableado, para cumplir los códigos, los estándares y las regulaciones federales, estatales y locales correspondientes.

Los principales componentes del conector son un disyuntor bipolar de desconexión de la red pública, un disyuntor bipolar de desconexión del generador, un conector bipolar de 2 posiciones de contacto, la tarjeta de circuito impreso de control del conector, la tarjeta de circuito impreso de control del sistema de gestión de energía Symphony II, los terminales con fusibles de tensión de la red pública y el cableado de interconexión. Todos estos componentes se encuentran en una caja tipo 3R según NEMA, que es adecuada para uso en interiores y a la intemperie.

El conector es accionado por un solenoide alimentado desde entradas de la red pública o del generador y tiene interruptores de enclavamiento mecánicos y eléctricos, adecuados para eliminar la posibilidad de conectar la red pública a la salida del generador. Sus valores nominales son suficientes para conectar toda la alimentación de la red pública a la residencia. Asimismo, para la función de transferencia hay una palanca de cancelación manual.

La tarjeta de control del conector tiene circuitos activos que detectan las tensiones de la red pública y del generador. Genera una señal para el arranque del generador, conector y retransferencia cuando se restablece la tensión en la red pública. La tarjeta de control del conector cuenta con LED de estado que indican la fuente de energía disponible.

La tarjeta de control del sistema de gestión de energía Symphony™ II contiene un botón de prueba, un LED de estado y ocho LED de carga de prioridad. Este sistema crea y envía señales a módulos remotos opcionales, para indicarles cuándo añadir (encender la alimentación) o eliminar (apagar la alimentación) la carga gestionada.

La tecnología de soporte de la línea de alimentación del sistema Symphony II ha pasado por pruebas rigurosas y ha demostrado ser muy resistente. Sin embargo, ciertos tipos de dispositivos y aparatos en el hogar generan "ruido" en la línea de alimentación. Tales dispositivos pueden incluir balastros para tubos fluorescentes para uso no residencial, reguladores de voltaje, controles de velocidad (iluminación y ventiladores), equipo de baño, equipo de cocina, herramientas motorizadas, cargadores de teléfono y suministro de alimentación. Estos tipos de dispositivos tienen un impacto extenso sobre la comunicación de la línea de alimentación cuando se ubican cerca de un módulo remoto.

Las señales de transmisión de radio AM, X10, el soporte de línea de alimentación (PLC), la fuente de alimentación ininterrumpida (UPS), los sistemas de supresión de voltaje transitorio (TVSS) y la tecnología de filtro de alimentación también pueden hacer que el sistema Symphony II no funcione como es debido. Estos pueden provocar interferencia con el sistema Symphony II durante la operación de la alimentación de reserva.

Si se determina que el ruido de la línea de alimentación está provocando un problema de comunicación con el sistema Symphony II, los cambios siguientes pueden solucionarlo.

- Sustituir las balastros comerciales (de uso industrial) para tubos fluorescentes por balastros de uso residencial.
- Instalar un filtro EMI/RFI en serie y cerca del dispositivo problemático.
- Cambiar el cable del módulo remoto a la línea de alimentación opuesta (línea 1 o línea 2) de la del dispositivo problemático.
- Consulte la sección Resolución de problemas.

El módulo remoto opcional de 50 A está diseñado de tal forma que el sistema Symphony controle la adición o eliminación de cargas de aparatos conectados a él con base en una configuración de prioridades definida por el usuario. Este módulo remoto gestiona cargas monopolares o bipolares de 120V CA o 240V CA de hasta 50 A. Por lo general, el relé del módulo remoto está abierto. Todos sus componentes se encuentran en una caja tipo 4 según NEMA, que es adecuada para uso en interiores y a la intemperie.

El módulo remoto de tensión baja opcional está diseñado de tal forma que el sistema Symphony II controle la adición o eliminación de las cargas controladas por el contactor del aire acondicionado, de la bomba de calor o de tensión baja, con base en una configuración de prioridades definida por el usuario. El módulo remoto se encuentra en una caja tipo 4 según NEMA, que es adecuada para uso en interiores y a la intemperie.

## Inspección en el momento de la entrega

Después de abrir la caja de cartón, con cuidado inspeccione los componentes del conector para detectar cualquier daño que pudiera haber ocurrido durante el envío.

Si detecta faltas o daños en el momento de la entrega, solicite a la persona que realiza la entrega que anote todos los daños en la nota de entrega y que la firme bajo el área de pérdidas y daños del remitente. Si se detectan faltas o daños después de la entrega, póngase en contacto con el transportista para solicitar información sobre el procedimiento de reclamación. La garantía no cubre las partes faltantes o dañadas.

### Contenido del envío:

- Conector automático
- Manual de instalación y del operario
- Transformadores de corriente (2)

### Componentes opcionales:

- Módulo de 50 A
- Módulo de tensión baja (modelos sencillos o dobles)
- Monitor de alimentación Symphony™ II

### Equipo que el instalador debe suministrar:

- Cable y conducto de conexión
- Herramientas/equipos especiales diversos

## Prueba del conector automático



**ADVERTENCIA** Riesgo de descarga. Este equipo contiene alta tensión que puede ocasionar la electrocución y, por tanto, la muerte o lesiones graves.

- Las pruebas deben ser realizadas exclusivamente por personal cualificado.
- No utilice este equipo de un modo imprudente, sin tener cuidado o con negligencia en cuanto a su mantenimiento.

Coloque el disyuntor de desconexión de servicio de la red pública que alimenta al contactor del conector en la posición "OFF". Iniciará la secuencia automática del sistema que se describe más abajo. Para volver a utilizar el suministro de alimentación de la red pública, coloque el disyuntor de desconexión del servicio de la red pública en la posición "ON".

### Fallo de la red pública

El generador detecta cuándo la tensión de la red pública está por debajo del 70% de la nominal. Tras un retardo de 6 segundos, se inicia la secuencia de arranque del motor.

### Calentamiento del motor

Retardo de tiempo para permitir el calentamiento del motor antes de la transferencia. Utilice el puente de la tarjeta de control del conector para seleccionar el retardo de 20 segundos o 50 segundos.

### Transferencia

La transferencia de la alimentación desde la red pública al generador se produce cuando la tensión está por encima de los niveles especificados. La luz de LED de la tarjeta de control del conector cambiará de verde (red pública) a rojo (generador) y la luz de estado de Symphony II cambiará el estado intermitente de parpadeo-parpadeo-pausa-parpadeo a parpadeo-pausa-parpadeo. El tiempo mínimo de funcionamiento del motor después de la transferencia es de 5 minutos.

### Gestión de cargas

Cinco minutos después de la transferencia al suministro de alimentación del generador, los módulos remotos activan las cargas conectadas si la alimentación del generador está disponible, comenzando con la prioridad más alta (1) hasta la prioridad más baja (8). Hay una demora de 10 segundos entre cada activación secuencial.

Los LED P1 a P8 en la tarjeta de control de Symphony II se iluminarán para mostrar las cargas que se agregan.

Las cargas conectadas a los módulos remotos configurados en las prioridades 9 y 10 permanecerán desactivadas durante la interrupción del suministro de alimentación eléctrica de la red pública.

## Recuperación de la red pública

El nivel de recuperación de la tensión es el 80% de la tensión nominal.

### Retransferencia

La retransferencia del generador al suministro de alimentación de la red pública tiene lugar aproximadamente 10 segundos después de que el suministro de tensión de la red pública está por encima del nivel de recuperación y después de que se completa el tiempo mínimo de funcionamiento. Todos los módulos remotos permanecerán apagados (OFF) durante cinco minutos después de la transferencia de alimentación.

### Enfriamiento del motor

El motor funcionará durante 60 segundos después de producirse la retransferencia.

## Controles

A excepción de la palanca de cancelación manual, no hay ningún control del operario porque este es un conector automático. Únicamente los profesionales con licencia deben utilizar la cancelación manual. La información sobre el uso del asa se puede obtener comunicándose con el Servicio Técnico al 800-743-4115.

## Funcionamiento

Para seleccionar el funcionamiento automático del conector, haga lo siguiente:

1. En el conector, coloque el disyuntor de desconexión de la red pública en la posición "ON".
2. En el conector, coloque el disyuntor de desconexión del generador en la posición "ON".
3. Instale el fusible de 15 A en el panel de control del generador.
4. Coloque el disyuntor del generador en la posición "ON".
5. Coloque el interruptor del sistema del generador en la posición "AUTO".

El sistema estará entonces en el modo de funcionamiento automático.

Cuando el generador suministra alimentación al conector, la tarjeta de control del conector supervisa permanentemente el suministro eléctrico del generador y se comunica con la tarjeta de control del sistema Symphony.

El sistema Symphony controlará hasta 8 prioridades, con las prioridades 9 y 10 como bloqueos. Cuando la carga total del generador alcance un valor predeterminado, la tarjeta de control del sistema Symphony comenzará a eliminar cargas, iniciando con la carga de la prioridad más baja (número más alto). El sistema Symphony añadirá o eliminará cargas gestionadas con base en la capacidad de salida del generador y las configuraciones de prioridades.

El sistema Symphony espera 10 segundos entre la adición y eliminación de cada carga para permitir que el sistema se estabilice. Si se detecta demasiada demanda de carga, el sistema Symphony eliminará todas las cargas gestionadas rápidamente para evitar que el generador se sobrecargue. Una vez que la demanda de carga se ha estabilizado, el sistema Symphony II recarga el generador después de una demora de 5 minutos, según se describió antes.

Hay un retardo mínimo de cinco minutos entre el tiempo en que se pierde el suministro de alimentación de la red pública y el tiempo en que el sistema Symphony activa las cargas de prioridad 1. Si una carga intermitente con prioridad baja (como 5 ó 6) requiere un valor de amperios mayor que una carga con prioridad más alta, su consumo de corriente puede producir actividad de eliminación de carga más frecuente o imprevista. Si dichas inconsistencias son inconvenientes, el instalador debe reajustar las configuraciones de prioridad en los módulos remotos para solucionar el problema.

Debe ser consciente de que las cargas de energía gestionadas de los elementos de calefacción (como hornillas, hornos o calentadores eléctricos) que estén encendidos cuando se pierda el suministro de alimentación de la red pública, se encenderán cuando el generador comience a suministrar alimentación. Se aconseja

que el propietario compruebe dichos dispositivos gestionados para asegurarse de que estén apagados antes de que se active el suministro de alimentación del generador.

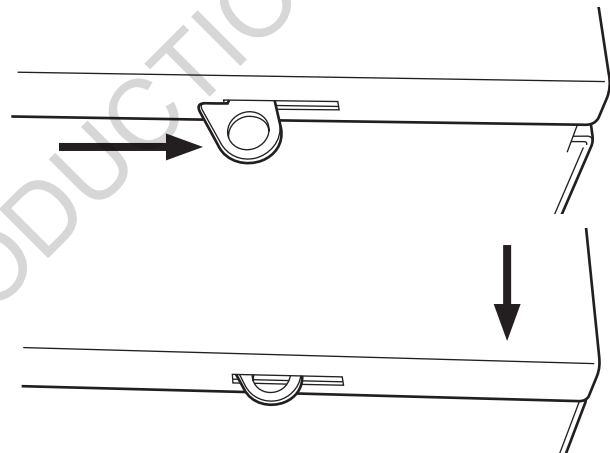
Los dispositivos gestionados como las secadoras de ropa que requieran pulsar un botón de arranque (START) no volverán a funcionar a menos que se pulse dicho botón después de que se active el suministro de alimentación del generador.

Podrían producirse fluctuaciones importantes en el consumo de carga en todos los aparatos que utilicen un elemento de calefacción. Esto significa que la carga general total puede variar mucho, produciendo que se perciba una gestión excesiva de las cargas. Puede ser necesario que el instalador ajuste las configuraciones de prioridad de los módulos remotos para minimizar estos efectos.

## Puerta de la caja

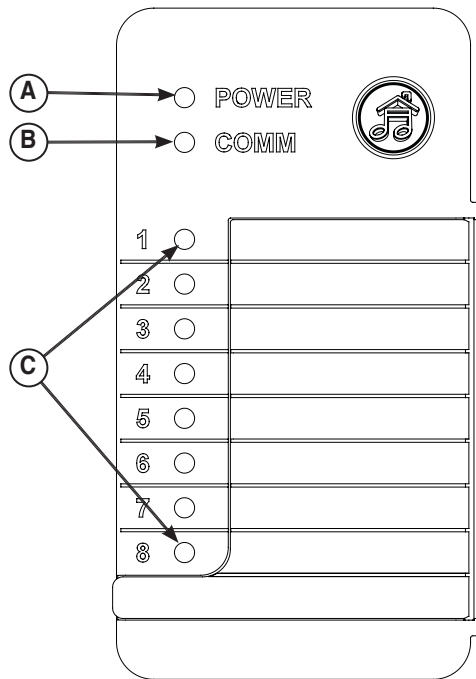
Para abrir la puerta del conector, oprima la cerradura de la puerta accionada con resorte hacia la derecha y jale la puerta.

Para cerrar y bloquear la puerta, empújela y ciérrela hacia la caja. Mientras se encuentra en esta posición, empuje la puerta hacia arriba. Esto provocará que la cerradura de la puerta accionada con resorte se enganche y bloquee la puerta en su lugar. La puerta de la caja DEBE estar cerrada y bloqueada en todo momento excepto cuando se está dando mantenimiento al sistema.



## Monitor de alimentación Symphony™ II (opcional)

Para su comodidad, se dispone de un monitor de alimentación



Symphony II, que muestra de manera visual el estado de encendido/apagado de cada carga/aparato gestionado. Varias luces de LED se encienden cuando un aparato recibe suministro de alimentación del generador y se apagan cuando el aparato está en modo de eliminación o no tiene energía. Cuando se utiliza el suministro de alimentación del generador, el consumidor puede ver qué aparatos se están gestionando.

Se incluye una calcomanía en la que se pueden anotar las cargas/aparatos gestionados y que se puede colocar junto a cada LED de prioridad.

El monitor se conecta a cualquier toma de corriente estándar y adecuada dentro de la casa, y recibe constantemente el estado del sistema mediante la tecnología de comunicación de la línea de alimentación que utiliza el sistema de gestión de energía Symphony II durante la alimentación del generador.

## Monitor de alimentación Symphony II (opcional)

### LUZ POWER (A)

Cuando está encendido, indica que la unidad está funcionando con alimentación del generador.

Cuando no está encendido, indica que se recibe alimentación de la red pública.

### LUZ COMM (estado de comunicación) (B)

Cuando está encendido, indica que la unidad está recibiendo señales del controlador Symphony II.

Cuando no está encendido, indica que se recibe alimentación de la red pública o bien que hay un fallo en el controlador Symphony II.

### LED/LUZ PRIORITY (C)

Cuando LED verde está encendido, indica que la configuración del módulo remoto opcional de esa prioridad está suministrando alimentación a la carga conectada.

Cuando no está encendido, indica que el módulo remoto opcional establecido en esa prioridad está apagado (OFF) (que está siendo gestionado y que Symphony II no permite suministrar alimentación a la unidad).

Todos los luz/LED están apagados (OFF) cuando se recibe alimentación de la red pública.

#### System Lights

- POWER Monitor ON
- COMM Modules ACTIVE

#### Priority Lights 1-8

- GREEN Power ON\*
  - NOT LIT Power OFF\*
- \*Possible 5 minute delay.

#### Blocked Items

#### Questions?

Call 800-743-4115

312113

## Mantenimiento

El conector está diseñado para no requerir mantenimiento en condiciones de uso normales. Sin embargo, es necesario realizar inspecciones y revisiones de mantenimiento periódicamente. El mantenimiento consiste principalmente en mantener limpio el conector.

Es necesario hacer inspecciones visuales al menos tres veces al año. El acceso al conector y a los módulos remotos opcionales no debe estar obstruido. Mantenga un espacio de 92 cm (3 pies) alrededor del conector. Compruebe que no haya acumulación de suciedad, humedad y/o corrosión en la caja y alrededor de ésta, partes/elementos de fijación flojos, grietas y/o decoloración del aislamiento y componentes dañados o decolorados.

Utilice el conector y el sistema Symphony II al menos una vez cada tres meses según se describe en Prueba del conector automático y en Prueba del sistema de gestión de energía Symphony II a menos que se produzca una interrupción del suministro de alimentación eléctrica y que todo el sistema del generador doméstico se someta a una secuencia automática. Deje funcionar el generador al menos 10 minutos durante el ciclo de prueba.

Póngase en contacto con un electricista cualificado para examinar y limpiar el interior de la caja y otros componentes del sistema de generador doméstico al menos una vez al año.

## Si llama para solicitar ayuda

Debe tener a la mano el número de modelo y número de serie de cada conector o de la etiqueta de ID del módulo remoto si es necesario comunicarse con un centro de servicio local en relación con el mantenimiento o la reparación. Obtenga esta información de las etiquetas de ID de la unidad ubicadas en el dispositivo o dentro de éste. Para su comodidad, registre la información en el interior de la portada de este manual.

Para comunicarse con Briggs & Stratton, llame al 800-743-4115, de 8:00 a. m. a 5:00 p. m. Hora del Centro.

NOT  
for  
REPRODUCTION

## POLÍTICA DE GARANTÍA PARA EL PROPIETARIO DEL CONECTADOR DE BRIGGS & STRATTON

Fecha de entrada en vigor: 1 de Agosto de 2010. Sustituye a todas las garantías sin fecha y a las de fecha anterior al 1 de Agosto de 2010

### GARANTÍA LIMITADA

Briggs & Stratton reparará o sustituirá sin cargo alguno cualquier componente del equipo que presente defectos de materiales y/o mano de obra. Los gastos de transporte de las producto enviadas para reparar o sustituir conforme a los términos de esta garantía correrán a cargo del comprador. El periodo de vigencia y las condiciones de esta garantía son los que se estipulan a continuación. Para obtener servicio en garantía, localice el distribuidor de servicio autorizado más próximo en nuestro mapa de distribuidores, en BRIGGSandSTRATTON.COM.

NO EXISTE NINGUNA OTRA GARANTÍA EXPLÍCITA. LAS GARANTÍAS IMPLÍCITAS, INCLUIDAS LAS DE COMERCIABILIDAD O IDONEIDAD PARA UN FIN CONCRETO, SE LIMITAN A UN AÑO DESDE LA FECHA DE COMPRA O AL LÍMITE DE TIEMPO PERMITIDO POR LA LEY. QUEDAN EXCLUIDAS TODAS LAS GARANTÍAS IMPLÍCITAS QUEDA EXCLUIDA LA RESPONSABILIDAD POR DAÑOS SECUNDARIOS Y DERIVADOS HASTA EL LÍMITE PERMITIDO POR LA LEY. Algunos países o estados no permiten limitar la duración de una garantía implícita ni excluir o limitar los daños secundarios y derivados. Por tanto, es posible que las limitaciones y exclusiones mencionadas no sean aplicables en su caso. Esta garantía le otorga determinados derechos legales y es posible que tenga otros derechos que pueden variar de un país o estado a otro.

### PERÍODO DE GARANTÍA

Uso del consumidor	3 Años
Uso comercial	ninguno

El período de garantía comienza en la fecha de compra del primer consumidor o usuario comercial final y se prolonga durante el tiempo especificado en la siguiente tabla. “Uso del consumidor” significa uso doméstico personal por parte de un consumidor final. “Uso comercial” significa cualquier otro uso, incluidos los usos con fines comerciales, de generación de ingresos o alquiler. Una vez que el equipo se haya usado con fines comerciales, se considerará como equipo de uso comercial a efectos de esta garantía. Los equipos utilizados para suministrar energía en sustitución de un servicio público no pueden acogerse a esta garantía.

NO ES NECESARIO REGISTRAR LA GARANTÍA PARA OBTENER SERVICIO DE BRIGGS & STRATTON PRODUCTS. GUARDE SU RECIBO DE COMPRA. SI NO APORTA LA PRUEBA DE LA FECHA DE COMPRA INICIAL, SE UTILIZARÁ LA FECHA DE FABRICACIÓN DEL PRODUCTO PARA DETERMINAR EL PERÍODO DE GARANTÍA.

### ACERCA DE LA EQUIPO GARANTÍA

Esperamos que disfrute de nuestra garantía y le pedimos disculpas por las molestias causadas. Cualquier distribuidor de servicio autorizado puede llevar a cabo reparaciones en garantía. La mayoría de las reparaciones en garantía se gestionan normalmente, pero algunas veces la solicitud de servicio en garantía puede no ser procedente. Por ejemplo, la garantía no será válida si el equipo presenta daños debidos al mal uso, la falta de mantenimiento, el transporte, la manipulación, el almacenamiento o la instalación inadecuados. De manera similar, la garantía quedará anulada si se ha borrado la fecha de fabricación o el número de serie del equipo, o si el equipo ha sido alterado o modificado. Durante el período de garantía, el distribuidor de servicio autorizado podrá reparar o sustituir, a su libre elección, cualquier pieza que, previa inspección, sea defectuosa en condiciones normales de uso y servicio. Esta garantía no cubre las reparaciones y equipos que se detallan a continuación:

- **Desgaste normal:** Al igual que cualquier otro aparato mecánico, los equipos de uso en exteriores necesitan piezas y mantenimiento periódicos para funcionar correctamente. Esta garantía no cubre las reparaciones cuando el uso normal haya agotado la vida útil de una pieza concreta del equipo.
- **Instalación y mantenimiento:** Esta garantía no cubre los equipos ni las piezas cuya instalación sea incorrecta o no haya sido autorizada, ni aquellos que hayan sido objeto de cualquier tipo de alteración, mal uso, negligencia, accidente, sobrecarga o mantenimiento, reparación o almacenamiento inadecuados que, a nuestro juicio, haya afectado negativamente a su funcionamiento y su fiabilidad. La garantía tampoco cubre el mantenimiento normal, como los ajustes y la limpieza y cambio de los fusibles.
- **Otras exclusiones:** También quedan excluidos de esta garantía el desgaste de los artículos tales y los daños derivados de accidentes, uso indebido, modificaciones, alteraciones, servicio inadecuado. Los accesorios quedan excluidos de la garantía del producto. Esta garantía excluye los fallos debidos a hechos fortuitos y a otros acontecimientos de fuerza mayor que escapan al control del fabricante. También se excluyen los equipos usados o reacondicionados y los destinados a demostraciones. 198180S, Rev. D, 08/03/2010

**BRIGGS & STRATTON**  
MILWAUKEE, WI, EE.UU

Español

es

# Interruptor de transferencia automática

## Especificaciones del producto

### Modelo 071048

Corriente de carga nominal máxima a 25°C (77°F)* .....	100 A
Tensión nominal c.a. ....	250 V
Polos.....	2
Frecuencia.....	60 Hz
Valor nominal de la corriente conexión a tierra .....	
22,000 RMS Amperios Simétricos en el Lado Versátil	
10,000 RMS Amperios Simétricos en el Lado de Generador	
Rango operativo normal .....	-28.8°C (-20°F) to 40°C (104°F)
Peso.....	27 kg (59 lbs).

### Modelo 071049

Corriente de carga nominal máxima a 25°C (77°F)* .....	200 A
Tensión nominal c.a. ....	250 V
Polos.....	2
Frecuencia.....	60 Hz
Valor nominal de la corriente conexión a tierra .....	
25,000 RMS Amperios Simétricos en el Lado Versátil	
10,000 RMS Amperios Simétricos en el Lado de Generador	
Rango operativo normal .....	-28.8°C (-20°F) to 40°C (104°F)
Peso.....	28 kg (63 lbs).

Este conector es un dispositivo clasificado según UL.

### Modelo 071054

Corriente de carga nominal máxima a 25°C (77°F)* .....	200 A
Tensión nominal c.a. ....	250 V
Polos.....	2
Frecuencia.....	60 Hz
Valor nominal de la corriente conexión a tierra .....	
25,000 RMS Amperios Simétricos en el Lado Versátil	
10,000 RMS Amperios Simétricos en el Lado de Generador	
Rango operativo normal .....	-28.8°C (-20°F) to 40°C (104°F)
Peso.....	28 kg (63 lbs).

### Modelo 071070

Corriente de carga nominal máxima a 25°C (77°F)* .....	150 A
Tensión nominal c.a. ....	250 V
Polos.....	2
Frecuencia.....	60 Hz
Valor nominal de la corriente conexión a tierra .....	
25,000 RMS Amperios Simétricos en el Lado Versátil	
10,000 RMS Amperios Simétricos en el Lado de Generador	
Rango operativo normal .....	-28.8°C (-20°F) to 40°C (104°F)
Peso.....	28 kg (63 lbs).



# Guide d'utilisation

## 100/150/200 A Commutateur de transfert automatique

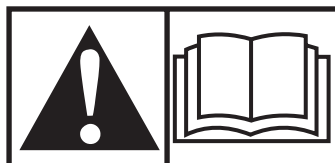
avec disjoncteur de l'alimentation de service et système de  
gestion de l'alimentation Symphony™ II

**Vous avez des questions?**

**Vous n'avez pas besoin d'aller loin pour trouver de l'aide!**

**Appelez: Ligne Directe de génératrice la maison**

**800-743-4115 M-F 8-5 CT**



**Nous vous** remercions d'avoir acheté ce commutateur de transfert automatique de Briggs & Stratton®. Ce produit est conçu pour être utilisé avec des génératrices de secours résidentielles spécifiques et risque de ne pas fonctionner avec des génératrices ou des modules à distance fabriqués par d'autres sociétés. Ayez recours à un professionnel en électricité qualifié pour déterminer l'applicabilité de ce matériel à du matériel fabriqué par d'autres sociétés. Si vous respectez les directives d'utilisation et d'entretien de ce manuel, vous pourrez vous fier à votre système durant de nombreuses années.

Ce manuel contient des renseignements sur la sécurité pour vous renseigner sur les dangers et les risques associés à ce système et sur la façon de les éviter. Nous avons tout fait pour fournir un produit dont l'installation soit sécuritaire, facile et économique. Comme chaque installation est unique, il est impossible de connaître et de recommander une marche à suivre présentant toutes les méthodes et consignes d'installation possibles. De plus, nous ne connaissons pas tous les dangers et/ou résultats potentiels de chaque méthode ou procédure. Il est important de bien lire et comprendre entièrement ces directives avant de tenter d'installer et d'utiliser cet équipement. **Conservez ces directives initiales aux fins de consultation ultérieure.**

Ce commutateur de transfert et les modules à distance optionnels nécessitent une installation professionnelle avant l'utilisation. Consultez la section Installation de ce manuel ainsi que la notice d'installation fournie avec les modules à distance au sujet des directives sur les procédures d'installation. Seuls des entrepreneurs en électricité qualifiés devraient installer des commutateurs de transfert et des modules à distance. Toute installation doit être conforme à l'ensemble des codes, normes et règlements applicables (fédéraux, provinciaux et locaux). Votre installateur doit suivre ces directives à la lettre.

### **À des fins de consultation ultérieure**

Veillez fournir les renseignements suivants et les conserver avec votre reçu pour vous aider dans l'identification de l'appareil lors de vos prochains achats d'équipement.

NOT  
for  
REPRODUCTION

# Table des matières

<b>Directives de Sécurité Importantes</b> .....	<b>4</b>
<b>Installation</b> .....	<b>5</b>
Responsabilités du propriétaire .....	5
Conseils au propriétaire .....	5
Responsabilités du détaillant/de l'entrepreneur chargé de l'installation .....	5
Description de l'équipement .....	5
Vérification de la livraison .....	7
<b>Commandes</b> .....	<b>8</b>
<b>Mode d'utilisation</b> .....	<b>8</b>
Porte de boîtier .....	8
Moniteur du système Symphony™ II (option) .....	9
<b>Entretien</b> .....	<b>10</b>
<b>Caractéristiques du produit</b> .....	<b>12</b>

NOT  
for  
REPRODUCTION

## Conservez ces directives

### Directives de sécurité importantes

CONSERVEZ CES DIRECTIVES – Ce manuel renferme d'importantes directives qu'il faut suivre durant l'installation et l'entretien de l'équipement.

### Symboles de sécurité et leur signification



Choc électrique



Lisez le manuel

▲ Le symbole d'alerte de sécurité indique un risque potentiel de blessure personnelle. Un mot signal (DANGER, AVERTISSEMENT ou ATTENTION) est utilisé avec un symbole d'alerte pour vous indiquer le degré ou le niveau du risque. Un symbole de sécurité peut être utilisé pour représenter le type de risque. Le mot signal AVIS est utilisé pour traiter les pratiques qui ne sont pas reliées aux blessures personnelles.

▲ Le mot signal **DANGER** indique un danger qui, s'il n'est pas évité, causera la mort ou des blessures graves.

▲ Le mot signal **AVERTISSEMENT** indique un risque qui, s'il n'est pas évité, pourrait causer la mort ou des blessures graves.

▲ Le mot signal **ATTENTION** indique un risque qui, s'il n'est pas évité, pourrait causer des blessures mineures ou modérées.

Le mot AVIS est utilisé pour les pratiques qui ne sont pas reliées aux blessures personnelles.

Le fabricant ne peut anticiper toutes les circonstances potentielles pouvant comporter un danger. Par conséquent, les avertissements contenus dans le présent manuel, ainsi que les plaques et les décalques apposés sur l'unité n'englobent pas toutes les possibilités. Si vous utilisez une procédure, une méthode de travail ou une technique d'opération non spécifiquement recommandée par le fabricant, vous devez vous assurer qu'elle ne compromet pas votre sécurité ni celle des autres. Vous devez également vous assurer que la procédure, la méthode de travail ou la technique d'opération que vous choisissez ne rend pas l'équipement dangereux.

▲ **AVERTISSEMENT** Certains composants de ce produit ainsi que les accessoires reliés contiennent des produits chimiques reconnus par l'État de la Californie comme causant des cancers, des malformations congénitales, ou d'autres problèmes de reproduction. Nettoyez-vous les mains après la manipulation.

**AVIS** Seuls les électriciens qualifiés peuvent procéder à l'installation de cet équipement, laquelle doit respecter strictement les codes, normes et règlements applicables.

▲ **AVERTISSEMENT** Risque de chocs électriques. L'installation de câbles haute tension et basse tension dans le même conduit pourrait entraîner la mort ou des blessures graves.

- Ne passez pas de câbles haute tension et basse tension dans le même conduit à moins que la valeur nominale d'isolation de TOUS les câbles soit de 600 V. Consultez NEC pour de plus amples renseignements.

▲ **AVERTISSEMENT** Risque de chocs électriques. Si l'équipement n'est pas mis à la terre comme il se doit qui peut provoquer une électrocution risquant d'entraîner la mort et des blessures graves.

- Ne pas toucher aux fils dénudés.
- Ne pas utiliser l'équipement si le câblage est usé, effiloché, dénudé ou autrement endommagé.
- Ne pas manipuler les cordons électriques les pieds dans l'eau ou les pieds nus ou lorsque les mains ou les pieds sont mouillés.
- Si vous devez travailler autour d'une unité alors qu'elle est en marche, placez-vous sur une surface sèche isolée afin de réduire les risques de choc électrique.
- Ne pas laisser les personnes non qualifiées ou les enfants utiliser ou entretenir l'équipement.
- En cas d'accident causé par un choc électrique, mettez immédiatement toutes les sources d'alimentation électrique hors tension et communiquez avec les autorités locales. Évitez tout contact direct avec la victime.

▲ **AVERTISSEMENT** Risque de chocs électriques. L'équipement fonctionne à une tension élevée qui peut provoquer une électrocution risquant d'entraîner la mort et des blessures graves.

- Ne pas opérer cet équipement de manière imprudente, négligente ou omettre de faire l'entretien.

**AVIS** Le traitement inadéquat de l'équipement peut l'endommager et réduire sa durée de vie utile.

- N'utilisez l'équipement que pour les applications pour lesquelles il a été conçu.
- Si vous avez des questions à propos de l'utilisation prévue de cet appareil, consultez votre détaillant ou communiquez avec Briggs & Stratton Power Products.
- N'exposez pas l'équipement à l'humidité excessive, à la poussière, à la saleté ou aux vapeurs corrosives.
- Demeurez alerte en tout temps lorsque vous travaillez sur cet équipement. Ne travaillez jamais sur l'équipement si vous êtes fatigué physiquement ou mentalement.
- Si les appareils branchés surchauffent, éteignez-les et mettez leur disjoncteur ou fusible hors tension.

## Installation

Nous sommes sincèrement reconnaissants que vous fassiez partie de notre clientèle et nous avons déployé tous les efforts pour vous offrir un produit dont l'installation soit sécuritaire, facile et économique. Comme chaque installation est unique, il est impossible de connaître et de recommander une marche à suivre présentant toutes les méthodes et consignes d'installation possibles. De plus, nous ignorons les dangers et/ou les résultats potentiels propres à chaque méthode ou procédure.

Pour ces raisons, seuls des professionnels en électricité agréés doivent procéder à l'installation du système. Toute installation doit être conforme à l'ensemble des codes ainsi que des normes et des règlements de l'industrie applicables.

Votre équipement vous est livré avec le présent « Manuel d'installation et d'utilisation ». Ce manuel est un document important; conservez-le après avoir terminé l'installation.

Tout a été fait pour s'assurer que les renseignements contenus dans le présent manuel sont exacts et à jour. Toutefois, le fabricant se réserve le droit de changer, de modifier ou encore d'améliorer le système en tout temps sans préavis.

**REMARQUE** Avant de percer des trous pour le passage de conduits ou tout autre trou, veillez à recouvrir et à protéger le commutateur et les pièces électroniques pour empêcher l'infiltration de saletés et de fragments métalliques dans les composants mécaniques et électriques. Le fait d'omettre de se conformer à cette directive peut causer des dommages au commutateur et entraîner sa défaillance.

**REMARQUE** Utilisez un aspirateur pour nettoyer les saletés et les fragments métalliques se trouvant à l'intérieur du commutateur de transfert. N'utilisez pas d'air soufflé ou comprimé pour nettoyer l'intérieur du commutateur de transfert car des débris pourraient se loger dans les composants électriques et mécaniques et entraîner des dommages ou un mauvais fonctionnement.

### Responsabilités du propriétaire

Afin de vous aider à faire des choix avisés et à communiquer efficacement avec l'entrepreneur qui procédera à l'installation, veuillez lire attentivement la section Conseils au propriétaire avant de commencer l'installation de votre équipement ou de la confier à un entrepreneur.

Pour assurer une installation adéquate, veuillez contacter le magasin qui vous a vendu votre équipement, votre détaillant ou votre fournisseur de services d'électricité.

Si l'installation du système n'est pas effectuée par un professionnel en électricité certifié, la garantie sera ANNULÉE.

### Conseils au propriétaire

Les illustrations se rapportent à des cas types et ont pour but de vous familiariser avec les différentes options d'installation du système dont vous disposez.

Au moment de négocier avec un installateur professionnel, il faudra tenir compte des facteurs suivants : les codes de sécurité locaux, l'apparence et les distances. Plus la distance entre l'appareil et le service d'alimentation électrique existant est grande, plus on aura

besoin de compenser par les matériaux de câblage. Cette contrainte est nécessaire pour vous conformer aux codes locaux et pour surmonter les chutes de tension électrique.

Ces facteurs auront une incidence directe sur le prix total de l'installation de votre équipement.

Votre installateur est tenu de vérifier les codes locaux ET d'obtenir les permis requis avant de procéder à l'installation du système.

- Vous devez lire et suivre les directives indiquées dans ce manuel.
- Établissez un programme d'entretien et d'utilisation régulier de votre équipement, tel qu'indiqué dans ce manuel.

### Responsabilités du détaillant/de l'entrepreneur chargé de l'installation

- Vous devez lire et respecter les importantes consignes de sécurité.
- Vous devez lire et suivre les directives indiquées dans ce manuel.
- Il se peut l'installateur doit fournir les contacteurs nominaux appropriés selon les charges à contrôler.
- Discutez avec le propriétaire de l'importance de la priorité des charges afin de déterminer les réglages de priorité du module à distance.
- Vérifiez les codes fédéraux, provinciaux et locaux et auprès des autorités compétentes si vous avez des questions concernant l'installation.

S'assurer que la génératrice n'est pas surchargée par des charges sélectionnées.

Pour de plus amples renseignements sur le commutateur de transfert, téléphonez au 800-743-4115, de 8h à 17h HNC.

### Description de l'équipement

Le commutateur de transfert est conçu pour transférer des charges sélectionnées retrouvées habituellement dans les installations résidentielles régulières vers l'alimentation de secours en cas de panne de la source d'alimentation primaire. La charge est branchée à l'alimentation de service (normal) ou à l'alimentation de secours résidentielle (génératrice). En contrôlant la tension de service et celle de la génératrice, le commutateur de transfert connecte automatiquement les charges à la source d'électricité appropriée.

Le système de gestion de l'alimentation Symphony™ II est très flexible et utilise des modules individuels haute tension et basse tension qui peuvent être installés n'importe où entre le panneau de distribution principal de la maison et l'appareil géré. Conçu pour communiquer par le câblage électrique existant de votre maison, la demande d'énergie et la séquence de priorité de 8 charges d'appareils sont relayées à la génératrice de secours, empêchant les surcharges de la génératrice de façon efficace tout en rehaussant la gamme de puissance et la performance. Le système est évolutif et des relais supplémentaires peuvent être ajoutés lorsque les besoins en gestion de l'alimentation du propriétaire changent au fil du temps.

Seul un électricien autorisé devrait effectuer l'installation de secours d'une maison. Les conducteurs et le conduit de l'alimentation de service peuvent être directement branchés de votre wattheuremètre au commutateur de transfert. Un disjoncteur de l'alimentation de service distinct et son câblage ne sont pas requis lorsque l'installation est conforme aux normes, à la réglementation et aux codes fédéraux, provinciaux et locaux.

Les principaux éléments du commutateur de transfert sont un disjoncteur bipolaire d'interruption de l'alimentation de service, un disjoncteur bipolaire d'interruption de la génératrice, un commutateur de transfert bipolaire bidirectionnel, un tableau de commande du commutateur de transfert, un tableau de commande du système de gestion de l'alimentation Symphony, des bornes de tension avec fusible et le câblage de raccordement. Tous ces composants sont contenus dans un boîtier NEMA 3R adapté pour un usage à l'intérieur et à l'extérieur.

Le commutateur de transfert est commandé par électroaimant depuis les entrées de la génératrice ou de service et contient des interrupteurs de sécurité mécaniques et électriques adéquats pour éviter la possibilité de raccordement entre le service public et le débit de la génératrice. Sa capacité nominale est suffisante pour commuter toute la puissance de service de la résidence. De plus, le commutateur comporte un levier de priorité pour transférer l'alimentation manuellement.

Le tableau de commande du commutateur de transfert comprend des circuits actifs contrôlant les tensions de service et de la génératrice. Il produit les signaux de démarrage de la génératrice ainsi que de transfert et de retransfert lorsque l'alimentation de service est rétablie. Une DEL sur le tableau de commande du commutateur de transfert indique la source d'alimentation disponible.

Le tableau de commande du système de gestion de l'alimentation Symphony™ II comprend un bouton d'essai, un voyant d'état (DEL) et huit DEL de charge prioritaire. Il produit et envoie des signaux à des modules à distance optionnels, leur commandant d'ajouter (activer l'alimentation) ou de délester (désactiver l'alimentation) la charge gérée.

La technologie de transporteur d'alimentation du système Symphony II a été rigoureusement testée et s'est avérée des plus robustes. Certains types de dispositifs et d'appareils du domicile génèrent cependant des « bruits » sur la ligne. Ces dispositifs peuvent inclure des ballasts fluorescents non résidentiels, des gradateurs, des commandes de vitesse (éclairage et ventilateurs), des appareils de salle de bains, des appareils de cuisine, des outils électriques, des chargeurs de téléphone ainsi que des blocs d'alimentation. Ces types d'appareils ont un plus grand impact sur la communication de l'alimentation lorsqu'ils sont situés près d'un module à distance.

La radio AM, X10, les transporteurs d'alimentation, l'alimentation sans coupure (UPS), les systèmes de suppression de tension transitoires (TVSS) ainsi que la technologie de filtre de puissance peuvent également entraîner un fonctionnement inattendu du système Symphony II. Ils peuvent causer des interférences avec le système Symphony II pendant le fonctionnement de l'alimentation de secours.

S'il est déterminé que les bruits de la ligne d'alimentation causent un problème de communication avec le système Symphony II, les changements suivants peuvent résoudre le problème.

- Faire remplacer les ballasts fluorescents commerciaux (non destinés à usage par un consommateur) par des ballasts à usage résidentiel.
- Avoir un filtre EMI/RFI installé en série et près du dispositif présentant le problème.
- Le module à distance doit être raccordé à la ligne de communication opposée (Line 1 ou Line 2) des bornes du dispositif présentant un problème.
- Reportez-vous à la section Dépannage.

Le module à distance de 50 A est conçu pour être commandé par le système Symphony pour l'ajout ou le délestage des charges d'appareils qui y sont connectées selon les paramètres de priorité définis par l'utilisateur. Ce module à distance gère des charges de 120 V c.a. ou de 240 V c.a., unipolaires ou bipolaires jusqu'à 50 ampères. L'état du relais du module à distance est normalement ouvert. Ses composants sont contenus dans un boîtier NEMA 4 adapté aux installations intérieures ou extérieures.

Ce module à distance basse tension en option est conçu pour être commandé par le système Symphony II pour l'ajout ou le délestage des charges contrôlées par contacteur du climatiseur, de la pompe à chaleur ou de basse tension selon les paramètres de priorité définis par l'utilisateur. Le module à distance est contenu dans un boîtier NEMA 4 adapté aux installations intérieures ou extérieures.

## Vérification de la livraison

Après avoir ouvert la boîte d'expédition, examinez avec soin les composants du commutateur de transfert à la recherche de dommages potentiels subis durant l'expédition.

Au moment de la livraison, si vous remarquez des dommages ou des pièces manquantes, demandez au livreur de noter tous les dommages sur la facture de fret et d'apposer sa signature dans l'espace réservé à cette fin. Si vous remarquez des dommages ou des pièces manquantes après la livraison, communiquez avec le transporteur pour connaître les procédures de réclamation. Les pièces manquantes ou endommagées ne sont pas garanties.

### Contenu de l'envoi :

- Commutateur de transfert automatique
- Manuel d'installation et d'utilisation
- Transformateurs de courant (2)

### Composants en option :

- Module de 50 ampères
- Module basse tension (modèles simples ou double)
- Moniteur de puissance Symphony™ II

### Éléments fournis par l'installateur :

- Conduit et fil de branchement
- Divers outils/équipements spécialisés

## Mise à l'essai du commutateur de transfert automatique



**AVERTISSEMENT** Risque d'électrocution. L'équipement contient une haute tension qui pourrait provoquer une électrocution entraînant la mort ou de graves blessures.

- L'essai doit être exécuté par un personnel qualifié.
- Ne pas opérer cet équipement de manière imprudente, négligente ou omettre de faire l'entretien.

Réglez le disjoncteur de l'alimentation de service alimentant le commutateur de transfert sur « OFF ». La séquence automatique du système décrite ci-dessous commencera. Pour revenir à l'alimentation de service, réglez le disjoncteur de l'alimentation de service sur « ON ».

### Panne de l'alimentation de service

La génératrice détecte la chute de la tension de l'alimentation de service sous 70 pourcent de la tension nominale. La séquence de démarrage du moteur commence après un délai de 6 secondes.

### Réchauffement du moteur

Prévoyez un délai de réchauffement du moteur avant le transfert. Utilisez un cavalier sur le commutateur de transfert pour sélectionner un délai de 20 secondes ou de 50 secondes.

## Transfert

Le transfert de l'alimentation de service à l'alimentation de la génératrice se produit après que la tension de la génératrice dépasse un seuil prédéterminé. Le voyant à DEL du tableau de commande du commutateur de transfert passe du vert (service) au rouge (génératrice) et le voyant d'état du Symphony II change l'état de clignotement de Clignotement Clignotement\_Pause\_Clignotement Clignotement à Clignotement \_Pause\_Clignotement. Après le transfert, le moteur tourne durant au moins 5 minutes.

## Gestion des charges

Cinq minutes après le transfert à l'alimentation par la génératrice, les modules à distance alimentent la ou les charges connectées si l'alimentation par la génératrice est disponible, en commençant par la charge la plus prioritaire (1) jusqu'à la dernière priorité (8). Il y a un délai de 10 secondes entre chaque activation séquentielle.

Les DEL P1 à P8 (A, page suivante) du tableau de commande de Symphony II s'allument pour indiquer que les charges ont été ajoutées.

Les charges connectées à des modules à distance réglés aux priorités 9 et 10 demeurent arrêtés pour la durée d'une panne d'électricité.

## Prise en charge de l'alimentation de service

La tension de prise en charge est de 80 pourcent de la tension nominale.

## Retransfert

Le transfert de l'alimentation de la génératrice à l'alimentation de service se fait 10 secondes après que la tension de service ait dépassé le niveau de prise en charge et que le temps d'exécution minimum est achevé. Tous les modules à distance restent arrêtés pendant cinq minutes après le transfert de l'alimentation.

## Refroidissement du moteur

Le moteur tourne pendant 60 secondes après le transfert.

## Commandes

Outre un levier d'arrêt manuel, il n'y a pas de commande manuelle car le commutateur de transfert est automatique. La commande manuelle de priorité ne peut être effectuée que par des professionnels agréés. Des renseignements sur l'utilisation du levier peuvent être obtenus en téléphonant au service technique au 800-743-4115.

## Mode d'utilisation

Pour actionner le transfert automatique, suivez la procédure décrite ci-dessous :

1. Sur le commutateur de transfert, réglez le disjoncteur de l'alimentation de service en position « ON ».
2. Sur le commutateur de transfert, réglez le disjoncteur de la génératrice en position « ON ».
3. Installez le fusible de 15 ampères dans le panneau de commande de la génératrice.
4. Réglez le disjoncteur de la génératrice à la position « ON ».
5. Réglez l'interrupteur de la génératrice à la position « AUTO ».

Le système est maintenant en mode de fonctionnement automatique.

Lorsque la génératrice transmet de la puissance au commutateur de transfert, le tableau de commande du commutateur de transfert surveille continuellement la puissance de la génératrice et communique avec le tableau de commande du système Symphony.

Le système Symphony commandera jusqu'à 8 priorités, les priorités 9 et 10 étant des verrouillages. Quand la charge totale de la génératrice atteint une valeur pré-réglée, le tableau de commande du système Symphony commence à délester des charges, en commençant par la charge ayant la plus faible priorité (numéro le plus élevé). Le système Symphony ajoutera ou délestera les charges gérées selon la capacité de sortie de la génératrice et les paramètres de priorité.

Le système Symphony attend 10 secondes avant d'ajouter ou de délester chaque charge afin de pouvoir se stabiliser. Si la demande de charge est trop importante, le système Symphony commencera à délester rapidement toutes les charges afin d'empêcher une surcharge de la génératrice. Une fois la demande de charge stabilisée, le système Symphony II rechargera la génératrice après un délai de 5 minutes, tel que décrit précédemment.

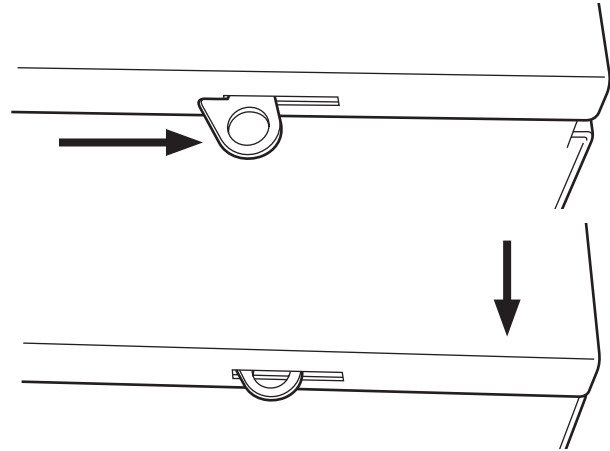
Il y a un délai minimum de cinq minutes entre le moment où l'alimentation de service est perdue et que les charges de priorité 1 sont alimentées par le système Symphony.

Vous devez savoir que les charges gérées d'éléments chauffants (tels que des brûleurs de cuisinière électrique, un four, ou des radiateurs autonomes) qui étaient en marche au moment où la panne d'électricité est survenue, seront en marche lorsque la génératrice commencera à fournir l'alimentation. Il est conseillé au propriétaire de vérifier tous les appareils de ce type gérés afin de s'assurer qu'ils sont arrêtés avant l'alimentation par la génératrice.

Les appareils gérés comme les sècheuses à linge qui demandent qu'on appuie sur un bouton de marche ne recommenceront pas à fonctionner à moins que l'on appuie sur le bouton de marche après que la génératrice a commencé à fonctionner.

## Porte de boîtier

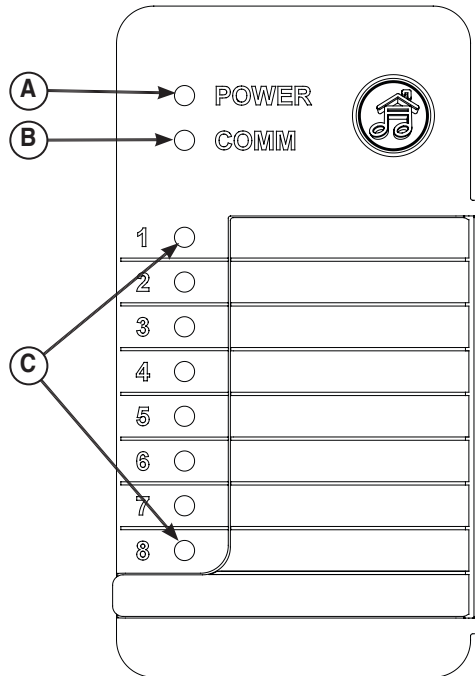
Pour ouvrir la porte du commutateur de transfert, appuyez sur le verrouillage à ressort de la porte à la droite et tirez la porte.



Pour fermer et verrouiller la porte, poussez la porte contre le boîtier. À cette position, poussez la porte vers le haut. Le verrouillage à ressort de la porte s'engagera alors et verrouillera la porte à cette position. La porte du boîtier DOIT être fermée et verrouillée en tout temps sauf lors de l'entretien du système.



## Moniteur du système Symphony™ II (option)



Pour votre commodité, un moniteur de puissance Symphony est disponible. Il procure un état visuel de marche et d'arrêt pour chaque appareil/charge géré. Une série de voyants DEL sont allumés quand un appareil est alimenté par la génératrice et éteints quand l'appareil est en mode de délestage ou n'est pas alimenté. Lorsque l'alimentation est fournie par la génératrice, le consommateur peut voir quels appareils sont gérés.

Un décalque est fourni pour étiqueter les appareils/charges gérés et apposé à côté de chaque DEL de priorité.

Le moniteur se branche dans n'importe quelle prise de courant standard de la maison et indique continuellement l'état du système grâce à la technologie de communication de l'alimentation utilisée par le système de gestion de l'alimentation Symphony II lorsque l'alimentation est assurée par la génératrice.

## Moniteur de puissance Symphony II (option)

### LUMIÈRE D'ALIMENTATION (A)

Lorsqu'allumée, indique que l'appareil fonctionne sous l'alimentation de la GÉNÉRATRICE.

Lorsqu'éteinte, indique que l'alimentation provient du service.

### LUMIÈRE COMM (état-communication) (B)

Lorsqu'allumée, indique que l'appareil reçoit des signaux du contrôleur Symphony II.

Lorsqu'éteinte, indique que l'alimentation provient du service ou la présence d'une défaillance du contrôleur Symphony II.

### DEL/LUMIÈRE DE PRIORITÉ (C)

Lorsqu'allumée, indique que le module à distance optionnel réglé à cette priorité fournit de l'alimentation à la charge connectée.

Lorsqu'éteinte, indique que le module à distance optionnel réglé à cette priorité est réglé à arrêt (géré et Symphony II ne fournit pas d'alimentation à l'appareil).

Tous les voyants LUMIÈRE/DEL sont éteints lorsque l'alimentation provient du service.

**System Lights**

- POWER** Monitor ON
- COMM** Modules ACTIVE

**Priority Lights 1-8**

- GREEN** Power ON\*
- NOT LIT** Power OFF\*

\*Possible 5 minute delay.

**Blocked Items**

\_\_\_\_\_

\_\_\_\_\_

**Questions?**

Call 800-743-4115

312113

## Entretien

Le commutateur de transfert est conçu pour ne nécessiter aucun entretien dans le cadre d'une utilisation normale. Toutefois, il faut effectuer des inspections et des vérifications d'entretien régulièrement. L'entretien consiste essentiellement à garder le commutateur de transfert propre.

Il faut effectuer une inspection visuelle au moins trois fois par année. L'accès au commutateur de transfert et aux modules optionnels ne doit pas être obstrué. Laissez un dégagement d'au moins 3 pi (92 cm) autour du commutateur de transfert. Inspectez le système à la recherche d'accumulation de saleté, d'humidité et/ou de corrosion à la surface ou autour du boîtier; de pièces/quincaillerie lâches, de fissures et/ou de décoloration de l'isolant; et de composantes endommagées ou décolorées.

Testez le commutateur de transfert et le système Symphony II au moins une fois tous les trois mois tel qu'indiqué dans les sections Mise à l'essai du commutateur de transfert automatique et Mise à l'essai du système de gestion de l'alimentation Symphony II à moins qu'une panne de courant ne survienne et que le groupe électrogène résidentiel complet ait effectué une séquence automatique. Laissez la génératrice fonctionner au moins 10 minutes pendant le cycle d'exercice.

Communiquez avec un professionnel en électricité certifié pour l'inspection et le nettoyage de l'intérieur du boîtier et des autres composantes de votre système de génératrice résidentielle au moins une fois par année.

## Si vous téléphonez pour obtenir de l'aide

Ayez en main les numéros de modèle et de série inscrits sur l'étiquette d'identification du commutateur de transfert ou du module à distance si vous devez communiquer avec un centre de service local pour un entretien ou une réparation. Vous pouvez obtenir des renseignements sur l'étiquette d'identification de l'unité se trouvant sur l'appareil ou à l'intérieur de celui-ci. Pour votre commodité, inscrivez les renseignements à la page couverture intérieure de ce guide.

Pour communiquer avec Briggs & Stratton, veuillez appeler au 800-743-4115, entre 8 h et 17 h HNC.

NOT  
for  
REPRODUCTION

## GARANTIE DU PROPRIÉTAIRE DU COMMUTATEUR DE TRANSFERT BRIGGS & STRATTON

Prise d'effet au 1<sup>er</sup> Août 2010, annule et remplace toutes les garanties précédentes et les garanties antérieures au 1<sup>er</sup> Août 2010

### GARANTIE LIMITÉE

Briggs & Stratton réparera ou remplacera, sans frais, toutes pièces d'équipement défectueuses comportant un vice de matériau ou un défaut de fabrication ou les deux. En vertu de la présente garantie, les frais de transport des produits soumis pour réparation ou remplacement sont à la charge de l'acheteur. La présente garantie sera en vigueur durant les périodes stipulées ci-dessous et est assujettie aux conditions stipulées ci-dessous. Pour obtenir des services en vertu de la garantie, veuillez consulter notre Outil de recherche d'un Service après-vente agréé au BRIGGSandSTRATTON.COM afin de trouver un distributeur de service après-vente agréé dans votre région.

IL N'EXISTE AUCUNE AUTRE GARANTIE EXPRESSE. LES GARANTIES IMPLICITES, INCLUANT CELLES DE QUALITÉ MARCHANDE ET D'ADAPTATION À UN USAGE PARTICULIER, SONT LIMITÉES À UNE PÉRIODE D'UN AN À PARTIR DE LA DATE D'ACHAT OU JUSQU'À LA LIMITE PERMISE PAR LA LOI, TOUTE GARANTIE IMPLICITE EST EXCLUE. LA RESPONSABILITÉ POUR DOMMAGES ACCESSOIRES OU INDIRECTS EST EXCLUE DANS LA MESURE OÙ UNE TELLE EXCLUSION EST PERMISE PAR LA LOI. Certains États/provinces ou pays n'autorisent aucune restriction sur la durée d'une garantie implicite, et certains États/provinces ou pays n'autorisent pas l'exclusion ou la limitation des dommages consécutifs ou indirects. Par conséquent, les restrictions et exclusions décrites ci-dessus pourraient ne pas s'appliquer dans votre cas. La présente garantie vous accorde certains droits légaux spécifiques et vous pourriez également en avoir d'autres, qui peuvent varier d'un État ou d'une province à l'autre et d'un pays à l'autre.

### PÉRIODE DE GARANTIE

Usage par un consommateur	3 ans
Usage à des fins commerciales	aucune

La période de garantie débute à la date d'achat par le premier acheteur au détail ou par le premier utilisateur commercial final, et se prolonge pour la durée stipulée dans le tableau ci-dessus. "Usage par un consommateur" signifie utilisation domestique personnelle dans une résidence, par l'acheteur au détail. "Usage à des fins commerciales" signifie toute autre utilisation, y compris à des fins commerciales, générant de revenus ou de location. Aux fins de la présente garantie, dès qu'un équipement a été utilisé commercialement une fois, il est par la suite considéré comme étant d'usage à des fins commerciales. L'équipement utilisé pour l'alimentation principale n'est pas couvert par la présente garantie.

POUR EXERCER LA GARANTIE SUR TOUT PRODUIT FABRIQUÉ PAR BRIGGS & STRATTON, IL N'EST PAS NÉCESSAIRE DE L'ENREGISTRER. CONSERVEZ LE REÇU COMME PREUVE D'ACHAT. SI, LORS D'UNE RÉCLAMATION DE GARANTIE, VOUS NE POUVEZ PROUVER LA DATE INITIALE DE L'ACHAT, NOUS UTILISERONS LA DATE DE FABRICATION DU PRODUIT COMME DATE DE RÉFÉRENCE POUR DÉTERMINER LA PÉRIODE DE GARANTIE.

### À PROPOS DE LA ÉQUIPEMENT GARANTIE

Nous acceptons de faire effectuer les réparations couvertes par la garantie et tenons à nous excuser pour tout inconvénient subi. Tout agent d'un service après-vente agréé peut exécuter les réparations couvertes par la garantie. La plupart des réparations couvertes par la garantie sont traitées automatiquement; cependant, il arrive parfois que les demandes de service en vertu de la garantie soient non fondées. Par exemple, la garantie ne couvre pas les dommages causés à l'équipement par une utilisation abusive, par un manque d'entretien périodique, durant l'expédition, la manutention ou l'entreposage, ou en raison d'une installation inadéquate. De même, la garantie sera annulée si la date de fabrication ou le numéro de série apposé à l'équipement a été enlevé ou si l'équipement a été changé ou modifié. Durant la période de garantie, le distributeur de service après-vente agréé réparera ou remplacera, à son gré, toute pièce qui, après examen, est trouvée défectueuse à la suite d'une utilisation et d'un entretien normaux. La présente garantie ne couvre pas les réparations et les équipements suivants:

- **Usure normale:** Comme tout autre dispositif mécanique, les groupes électrogènes d'extérieur nécessitent l'entretien périodiques de certaines pièces pour fonctionner adéquatement. La présente garantie ne couvre pas les frais de réparation des pièces ou des équipements dont la durée de vie utile a été dépassée à la suite d'une utilisation normale.
- **Installation et entretien:** La présente garantie ne couvre pas les équipements ou les pièces qui ont fait l'objet d'une installation ou de modifications et de changements inadéquats ou non autorisés, d'une mauvaise utilisation, de négligence, d'un accident, d'une surcharge, d'entretien inadéquat, de réparation ou d'entreposage qui, selon nous, auraient nui à la performance et à la fiabilité du produit. De plus, la garantie ne couvre pas l'entretien normal tel que le réglage, le nettoyage et remplacement de fusible.
- **Exclusions supplémentaires:** La présente garantie exclut les pièces qui s'usent ou tout dommage ou tout mauvais fonctionnement résultant d'un accident, d'une utilisation abusive, de modifications, de changements ou d'un entretien inadéquat du système. La garantie du produit ne couvre pas les pièces accessoires. Cette garantie exclut toute défaillance due à une catastrophe naturelle ou à toute autre force majeure hors du contrôle du fabricant. Est aussi exclu tout équipement usé, remis à neuf ou de démonstration. 198180F, Rev. D, 08/03/2010

BRIGGS & STRATTON  
MILWAUKEE, WI, USA

Français

fr

# Commutateur de transfert automatique

## Caractéristiques du produit

### Modèle 071048

Charge nominale maximum  
à 25°C (77°F)\* ..... 100 Ampères  
Tension nominale C.A. .... 250 Volts  
Pôles ..... 2  
Fréquence ..... 60 Hz  
Intensité de défaillance nominale .....  
22,000 RMS les Ampères Symétriques sur le Côté d'Utility  
10,000 RMS les Ampères Symétriques sur le Côté de Générateur  
Plage d'utilisation normale..... -28.8°C (-20°F) to 40°C (104°F)  
Poids..... 27 kg (59 lb)

### Modèle 071049

Charge nominale maximum  
à 25°C (77°F)\* ..... 200 Ampères  
Tension nominale C.A. .... 250 Volts  
Pôles ..... 2  
Fréquence ..... 60 Hz  
Intensité de défaillance nominale .....  
25,000 RMS les Ampères Symétriques sur le Côté d'Utility  
10,000 RMS les Ampères Symétriques sur le Côté de Générateur  
Plage d'utilisation normale..... -28.8°C (-20°F) to 40°C (104°F)  
Poids..... 28 kg (63 lb)

\* Ce commutateur de transfert est homologué UL

### Modèle 071054

Charge nominale maximum  
à 25°C (77°F)\* ..... 200 Ampères  
Tension nominale C.A. .... 250 Volts  
Pôles ..... 2  
Fréquence ..... 60 Hz  
Intensité de défaillance nominale .....  
25,000 RMS les Ampères Symétriques sur le Côté d'Utility  
10,000 RMS les Ampères Symétriques sur le Côté de Générateur  
Plage d'utilisation normale..... -28.8°C (-20°F) to 40°C (104°F)  
Poids..... 28 kg (63 lb)

### Modèle 071070

Charge nominale maximum  
à 25°C (77°F)\* ..... 150 Ampères  
Tension nominale C.A. .... 250 Volts  
Pôles ..... 2  
Fréquence ..... 60 Hz  
Intensité de défaillance nominale .....  
25,000 RMS les Ampères Symétriques sur le Côté d'Utility  
10,000 RMS les Ampères Symétriques sur le Côté de Générateur  
Plage d'utilisation normale..... -28.8°C (-20°F) to 40°C (104°F)  
Poids..... 28 kg (63 lb)

