



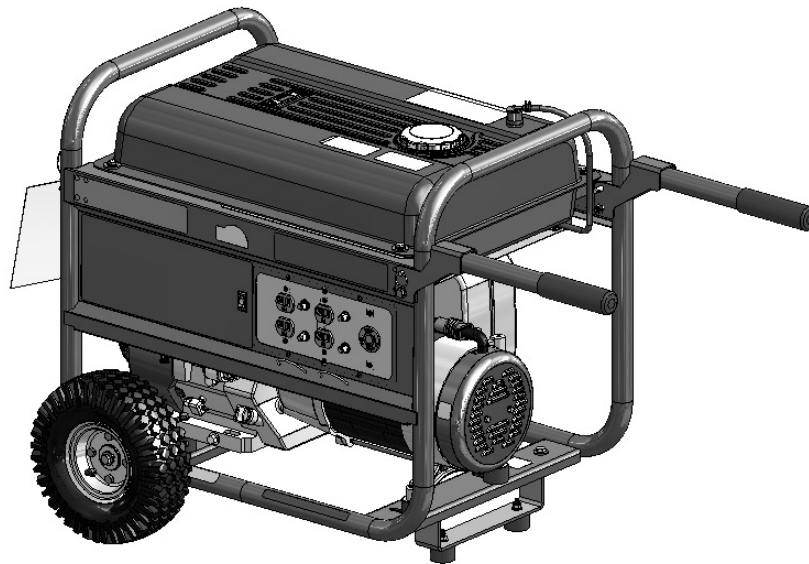
PM0497000.05

Insert  
Additif  
Adición

---

---

**ELECTRIC GENERATOR - GROUPE ELECTROGENE - GENERADOR ELECTRICO**



---

**IMPORTANT – Please make certain that persons who are to use this equipment thoroughly read and understand these instructions and any additional instructions provided prior to operation.**

**IMPORTANT - Prière de vous assurer que les personnes destinées à utiliser cet appareil ont pris soin d'en lire et d'en comprendre le mode d'emploi ou les directives avant de le mettre en marche.**

**IMPORTANTE. Asegúrese que las personas que utilizarán este equipo lean y entiendan completamente estas instrucciones y cualquier instrucción adicional proporcionada antes del funcionamiento.**

**REGISTER YOUR PRODUCT**

Register your Powermate® generator online at [www.powermate.com](http://www.powermate.com).

**ENREGISTRER VOTRE PRODUIT**

Enregistrer votre génératrice de Powermate® en ligne à [www.powermate.com](http://www.powermate.com).

**REGISTRE SU PRODUCTO**

Registre su generador de Powermate® en línea en [www.powermate.com](http://www.powermate.com).

## MAJOR GENERATOR FEATURES

- 390 cc Honda OHV engine
- Cast-iron cylinder sleeve
- Low oil sensor
- Receptacles on control panel
- CordKeeper™
- Automatic voltage regulator (AVR)
- 8 gallon metal fuel tank
- Portability Kit

## CONTROL PANEL

### A. 120 V, 20 Ampere Duplex Receptacle

20 amps of current may be drawn from each half of the receptacle. However, total power drawn must be kept within nameplate ratings. These receptacles may be used along with the twistlock receptacle provided the generator is not overloaded.

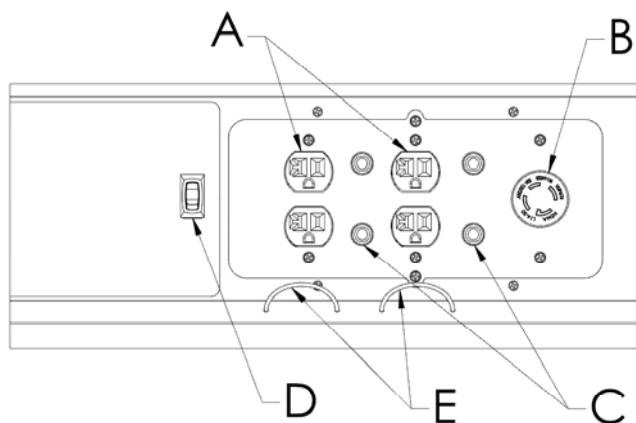
### B. 120/240 V, 30 Ampere Twistlock Receptacle

A maximum of 30 amps may be drawn from the 120/240 volt receptacle, provided it is the only receptacle used. However, current must be limited to the nameplate rating. If the 120/240 volt receptacle is used along with the 120 volt receptacle, the total load drawn must not exceed the nameplate ratings.

### C. Circuit Breakers

The receptacles are protected by an AC circuit breaker. If the generator is overloaded or an external short circuit occurs, the circuit breaker will trip. If this occurs, disconnect all electrical loads and try to determine the cause of the problem before attempting to use the generator again. If overloading causes the circuit breaker to trip, reduce the load. **NOTE: Continuous tripping of the circuit breaker may cause damage to generator or equipment.** The circuit breaker may be reset by pushing the button of the breaker.

### D. Engine On/Off Switch



### E. CordKeeper™ Restraint

The CordKeeper™ restraint is a unique feature used to prevent plugs from being pulled out of the receptacles.

## LIMITED WARRANTY (not valid in Mexico)

**Warranty Coverage:** Pramac America, LLC (the Company) warrants to the original retail customer in North America that it will repair or replace, free of charge, any parts found by the Company or its authorized service representative to be defective in material or workmanship. This warranty covers the cost of replacement parts and labor for defects in material or workmanship.

### Not Covered:

- Transportation charges for sending the product to the Company or its authorized service representative for warranty service, or for shipping repaired or replacement products back to the customer; these charges must be borne by the customer.
- Engine is covered exclusively by a separate warranty from the engine manufacturer, included with the engine Manual.
- Damages caused by abuse or accident, and the effects of corrosion, erosion and normal wear and tear.
- Warranty is voided if the customer fails to install, maintain and operate the product in accordance with the instructions and recommendations of the Company set forth in the owner's manual, or if the product is used as rental equipment.
- The Company will not pay for repairs or adjustments to the product, or for any costs or labor, performed without the Company's prior authorization.

**Warranty Period:** Two (2) years from the date of purchase on products used solely for consumer applications; if a product is used for business or commercial applications, the warranty period will be limited to one (1) year from the date of purchase. For warranty service, the customer must provide dated proof of purchase and must notify the Company within the warranty period.

**For warranty service: Call toll free 800-445-1805, or write to Pramac America, LLC, Product Services, 4970 Airport Road, P. O. Box 6001, Kearney, NE 68847.**

**EXCLUSIONS AND LIMITATIONS:** THE COMPANY MAKES NO OTHER WARRANTY OF ANY KIND, EXPRESS OR IMPLIED. IMPLIED WARRANTIES, INCLUDING WARRANTIES OF MERCHANTABILITY AND OF FITNESS FOR A PARTICULAR PURPOSE, ARE HEREBY DISCLAIMED. THE WARRANTY SERVICE DESCRIBED ABOVE IS THE EXCLUSIVE REMEDY UNDER THIS WARRANTY; LIABILITY FOR INCIDENTAL AND CONSEQUENTIAL DAMAGES IS EXCLUDED TO THE EXTENT PERMITTED BY LAW.

This warranty gives you specific legal rights, and you may also have other rights which vary from state to state. Some states do not allow a disclaimer of implied warranties, or the exclusion or limitation of incidental and consequential damages, so the above disclaimers and exclusions may not apply to you.

# PORTABILITY KIT INSTALLATION

**TOOLS REQUIRED:** 7/16", 1/2" and 9/16" sockets and ratchets, block(s) of wood (minimum of 6" tall).  
Refer to the parts list on page 9.

## WHEEL INSTALLATION

1. Block up end of generator opposite the fuel tank cap to install wheel kit.
2. Insert wheel spacer (item 39) into the center of the wheel (item 28).
3. Slide 3/8 x 4.25" bolt (item 32) and 3/8 washer (item 27) through the wheel (item 28), then through the wheel bracket on the carrier, with the offset side of the wheel hub against the wheel bracket.
4. Thread 3/8 nyloc nut (item 33) onto the bolt and tighten to securely clamp the wheel assembly to the carrier.
5. Repeat above instructions for the remaining wheel.

## FOOT INSTALLATION

1. Assemble the rubber feet (item 29) to the foot bracket (item 43) using a 1/4-20 x 1.5" bolt (item 11). Thread a 1/4 washer (item 36) and a 1/4 nyloc nut (item 10) to the bolt to secure the assembly. Caution: Do not over tighten so that the foot material collapses.
2. Blocking up the alternator side of the generator, place the foot bracket under the carrier channel. Thread a 5/16-18 x 1" bolt (item 42) with a 5/16 wide washer (item 50) through the mounting holes and thread a 5/16 wide washer (item 50) and a 5/16 nyloc nut (item 13) to the bolt to secure the foot bracket to the carrier.

## HANDLE INSTALLATION

1. Place handle (item 25) and spacer (item 46) on carrier on same end as feet, as shown in the diagram.
2. Slide 5/16 x 2.25" bolt (item 26) and 5/16 washers (item 12) through handle and spacer as shown in diagram and secure with 5/16" nyloc nut (item 13). Tighten until handle is securely clamped to the carrier.
3. Apply aerosol hairspray or similar adhesive to the handle (item 25), and then slide the handle grip (item 40) onto the handle. The aerosol hairspray will allow for easier assembly and will adhere the grip to the handle.
4. Insert cap (item 35) into end of handle (item 25).
5. Repeat above instructions for the remaining handle.

## LOCKING HANDLE

1. Attach the lanyards (item 30) to the release pins (item 34) and carrier as shown in the illustration.
2. To lock the handle (item 25) in the extended position, align the holes in the handle brackets with the holes in the carrier brackets and insert the release pins (item 34).

