

Wastewater

GP Series - Manual



Applications

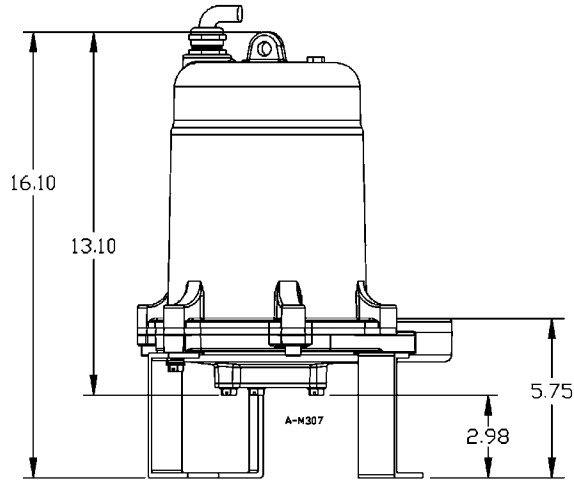
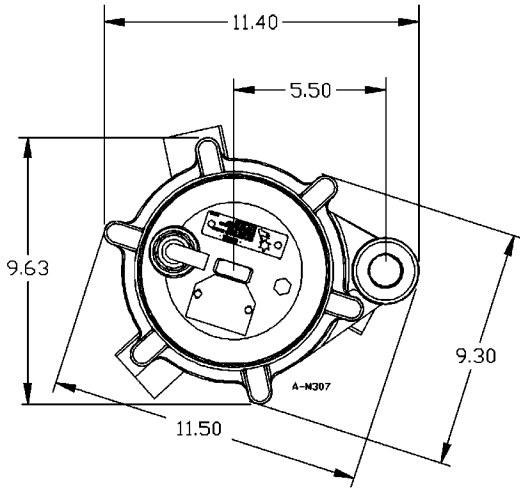
- Little Giant Manual GP Series grinder pumps are ideal for residential sewage waste transfer where high head conditions exist

Features

- 2 hp single-phase, capacitor start/run motor with built-in overload protection to prevent over-current and over temperature damage
- Epoxy coated cast iron finish for corrosion resistance and durability
- Compact, easy to lift package
- Externally mounted start components*
- Mechanical seal: carbon/ceramic seals
- Deflection resistant, short motor shaft
- Corrosion resistant brass impeller minimizes downtime and maintenance
- Seven-vane, angled face, non-clogging balanced impeller
- Tight cutting clearances for superior cutting action, grinding 414,000 cuts per minute

* The GP Series requires a specific control panel or capacitor kit from Little Giant matched to the pump for proper operation and third-party approval

Engineering Data



(Shown with optional leg kit)

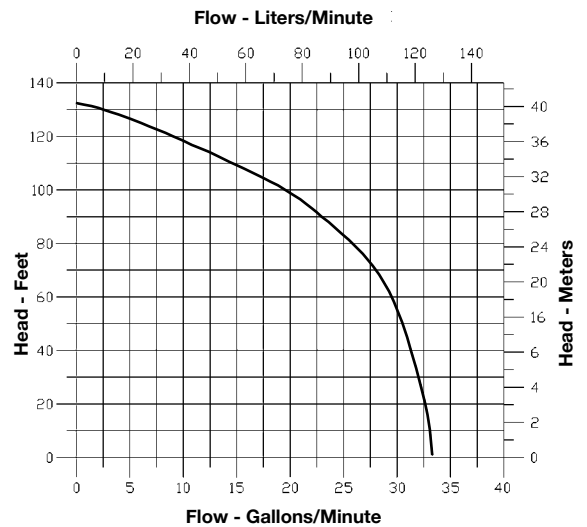
Specifications

Model No.	Item No.	Listing	HP	Volts	Hz	Power Cord	Full Load Amps/Watts	Performance (GPM @ Head)					Shutoff	P.S.I.	Weight (lbs.)	
								20'	40'	60'	80'	100'				120'
GP-M231-15-H130	520865	UL/CSA	2	230	60	15'	13.9/3200	32	31	30	25	20	10	130	56	81
GP-M201-15-H130	520855	UL/CSA	2	208	60	15'	13.9/3200	32	31	30	25	20	10	130	56	82

Construction

Motor Cover	Cast iron with epoxy coating
Motor Cover O-Ring	Nitrile
Motor Design	Single phase, capacitor start, capacitor run
Insulation Class	F
Overload Protection	Internal, on winding thermal protector
Motor Shaft	AISI 300 series stainless steel
Ball Bearing-Upper	Single row ball, 6203
Ball Bearing-Lower	Single row ball, 6306
Seal Housing	Cast iron with epoxy coating
Mechanical Seal	Carbon/ceramic
Volute	Cast iron with epoxy coating
Impeller	Brass
Rotating Cutter	2 blade design, AISI 440C stainless steel, through hardened to Rockwell 55-60C
Stationary Cutter	AISI 440C stainless steel, through hardened to Rockwell 55-60C
External Hardware	300 series stainless steel
Power Cable	Type SOOW/or SOW 14/4 AWG

Performance Data



Franklin Electric
P.O. Box 12010
Oklahoma City, OK 73157-2010
Phone: 1.800.701.7894
Fax: 1.800.678.7867
www.LittleGiantPump.com