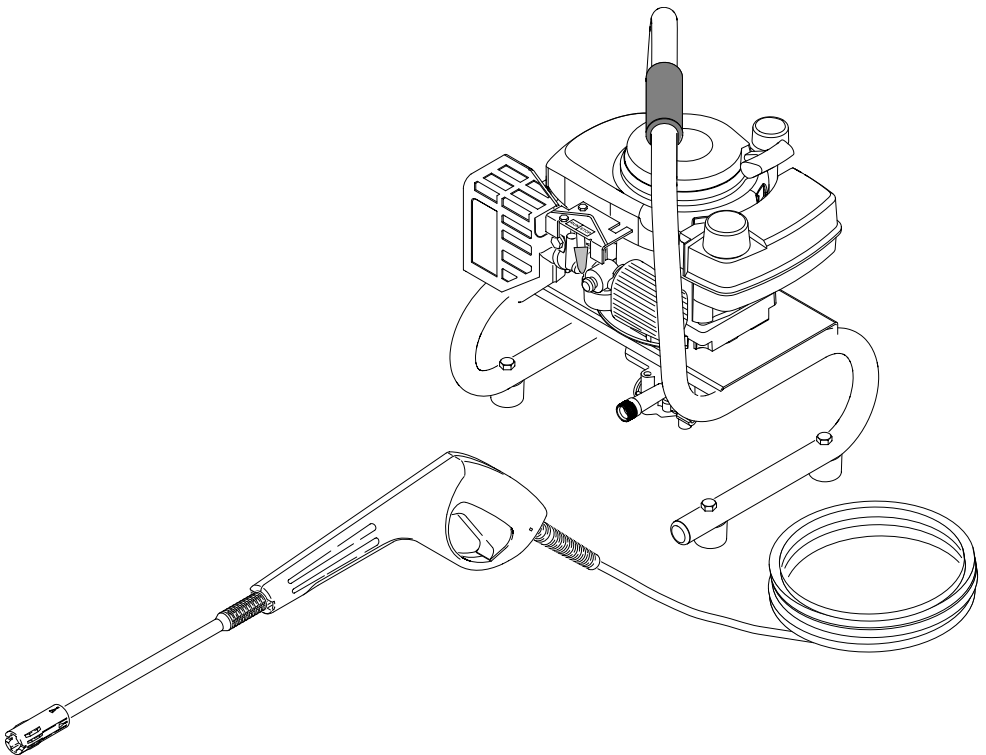


G 2000 QT

English



High Pressure Washer Operator Manual

Overview	3
Precautions	4
Assembly Instructions	5
Operating Instructions	6
Using the Accessories	7
Working with Detergents	8
Shut Down and Clean-Up	9
Taking a Break	9
Winterizing and Long-Term Storage	9
Cleaning Tips	10-11
Optional Cleaning Accessories	11
Troubleshooting	12-13

2

Specifications

Max. Operating pressure	2000 PSI
Water volume	2 GPM
Detergent suction	0.13 – 0.18 GPM
Engine	4 HP Tecumseh LV 148
Part No.	1.133-601
Serial No.	_____

Kärcher Customer Support USA

Call: **1-800-537-4129** for help
or visit our website:
www.karcher-usa.com

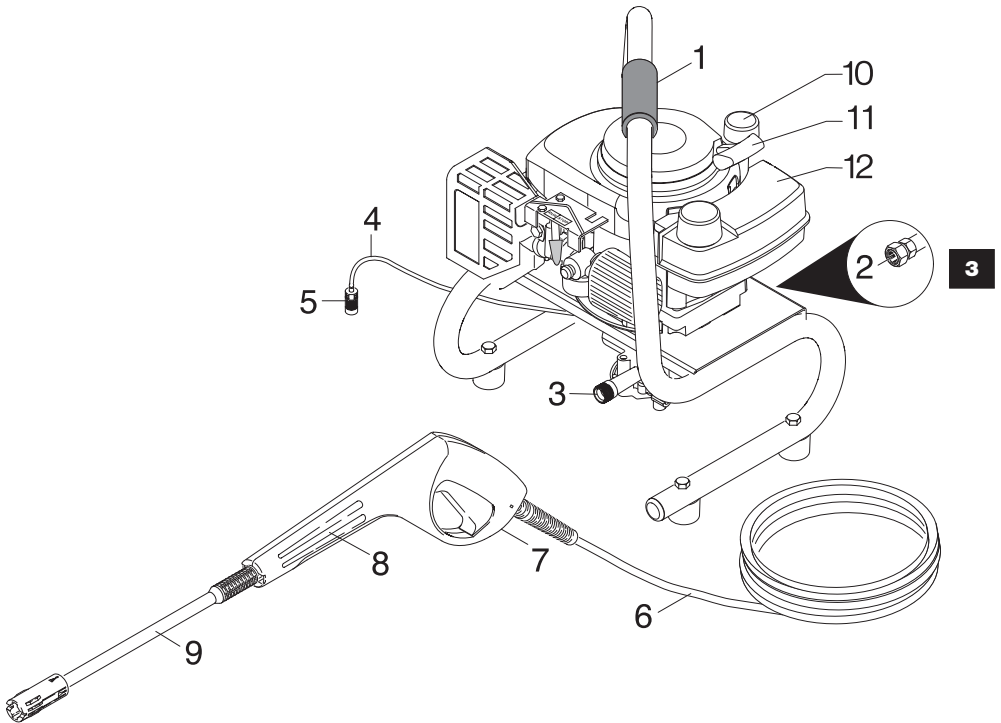
Kärcher Customer Service CDN

Call: **1-800-465-4980** for help
or visit our website:
www.karcher.ca

Model G 2000 QT OVERVIEW

Item Description

1. Handle
2. Water inlet with garden hose connector
3. High pressure outlet
4. Detergent suction tube
5. Detergent filter
6. High pressure hose
7. Trigger gun safety lock
8. Trigger gun
9. Spray wand with High/Low pressure nozzle
10. Oil fill cap
11. Pull start
12. Gas tank



Caution

- Follow the maintenance instructions specified in the manual.
- This machine has been designed for use with cleaning detergents by the manufacturer. The use of other cleaning detergents may affect the operation of the machine and void the warranty.

IMPORTANT PRECAUTIONS – Read First!

IMPORTANT SAFETY INSTRUCTIONS

WARNING – When using this product basic precautions should always be followed, including the following:

WARNING – Risk of Injection or Injury – Do Not Direct Discharge Stream At Persons.

- Read all the instructions before using the product.
- Fire hazard! Do not add fuel with the engine running. Do not operate if fuel has been spilled. Instead, move the machine to a different location and avoid creating sparks.
- Operate and fuel machine in a well ventilated area, free of devices featuring an open pilot or flame such as boilers, water heaters, etc.
- High pressure jets can be dangerous if subject to misuse. The jet must not be directed at persons, animals, electrical devices, or the machine itself.
- Wear safety goggles.
- Do not use acids, alkaline, solvents, or any flammable material in this product. These products can cause physical injuries to the operator and irreversible damage to the machine.
- The machine has hot surfaces which can cause burns. Operate the unit in a safe environment and away from children.
- Do not allow the high pressure hose to come into contact with the muffler guard.
- Do not leave the machine running unattended.
- Learn how to stop the machine and release pressure quickly. Be thoroughly familiar with the controls.
- Stay alert — watch what you are doing.
- Do not operate the product when fatigued or under the influence of alcohol or drugs.
- Do not stand on unstable surfaces. Stand with both feet balanced at all times.
- Avoid tipping the machine on its side.

- The Gun Safety Lock PREVENTS the trigger from accidentally being engaged. This safety feature DOES NOT lock trigger in the on position.
- Do not spray electrical connections, electrical outlets or fixtures.
- Do not touch hot surfaces or allow accessories to contact hot surfaces.
- Do not operate in an enclosed space, exhaust fumes are dangerous.
- Do not operate near utilities with open flames.
- Do not operate pressure washer without the water turned on.
- Do not use hot water.

WATER SUPPLY (Cold Water Only)

- Water hose must be at least 5/8 inch in diameter.
- Flow rate of water supply must not fall below 2.5 GPM (gallons per minute).
- Flow rate can be determined by running the water for one minute into an empty 5-gallon container.
- The water supply temperature must not exceed 104°F/40°C.
- Never use the pressure washer to draw in water contaminated with solvents, e.g. paint thinners, gasoline, oil, etc.
- Always prevent debris from being drawn into the unit by using a clean water source.

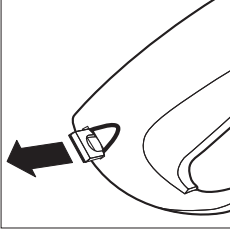
We strongly recommend that this high pressure washer not be left running for periods of 5 minutes or longer without the trigger gun being engaged.

- SAVE THESE INSTRUCTIONS -

ASSEMBLY INSTRUCTIONS

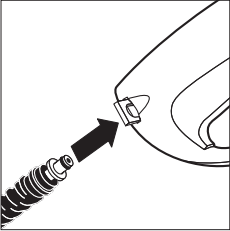
Step 1

Push the clip from the other side if it is completely set. Use a small screwdriver to help push out of the locking clip.



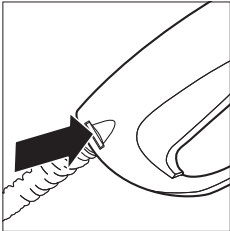
Step 2

Insert the small end of the high pressure hose into place.



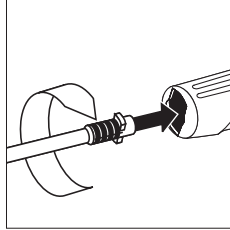
Step 3

Push the locking slide back into the trigger gun to lock the hose in position.



Step 4

Insert the spray wand into the gun. Push in and turn clockwise to lock spray wand in place. Turn the wand collar clockwise onto the spray wand threads.



OPERATING INSTRUCTIONS

Important!

Do not run the engine with a high or low oil level as this can cause engine damage. If you have further questions regarding the engine, please refer to the engine's operating manual included with the unit.

Step 1

Check oil level. Oil level should always be between the "FULL" and "ADD" marks on the dipstick. Be sure the machine is level when checking the oil level. (Refer to the engine's operating manual for seasonal grades.).

Step 2

Fill gas tank with unleaded gasoline.
Do not use leaded gasoline.

Step 3

Connect the high pressure hose to the unit's high pressure outlet.

6

Step 4

Connect garden hose to unit's water inlet.

Step 5

Connect garden hose to the cold water source and turn water on completely.
Do not use hot water.

Step 6

Unlock the lock of the trigger gun.
Trigger the gun to eliminate trapped air, wait for a steady flow of water to emerge from the spray nozzle.

Step 7

Slide the throttle control to the RUN position.

Step 8

Push the primer ball three times.
Wait 3 seconds between each push.
Note: in cold weather push 5 times.

Step 9

Pull the starter handle. If the engine fails to start after 3 pulls squeeze the trigger gun to release pressure, and repeat step 9.

USING THE ACCESSORIES

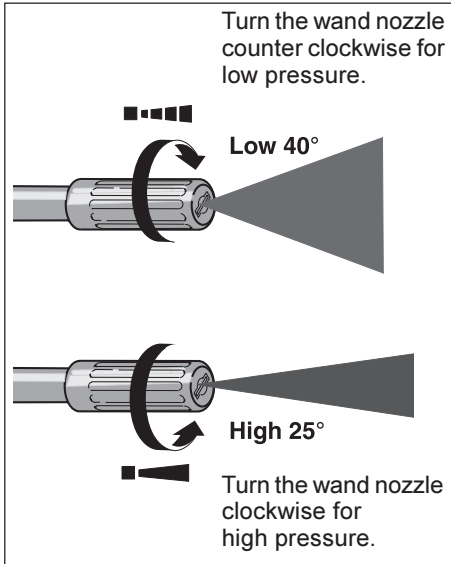
High/Low pressure nozzle

This nozzle features two positions. The high setting provides a steady powerful 25° high pressure spray pattern, for general cleaning. The low setting creates a wider 40° low pressure pattern.

NOTE: Detergent is applied with the nozzle set at low pressure.

Warning

**TO AVOID SERIOUS INJURY,
NEVER POINT SPRAY NOZZLE
AT YOURSELF, OTHER PERSONS
OR ANIMALS.**

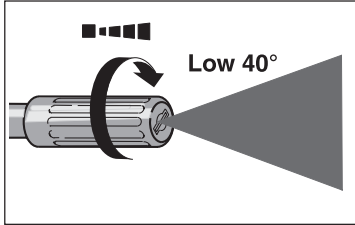


WORKING WITH DETERGENTS

Detergents can only be applied in the "low" setting.

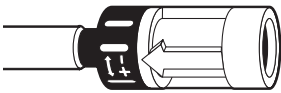
Step 1

Set the spray wand to the low pressure (-) position.



Step 2

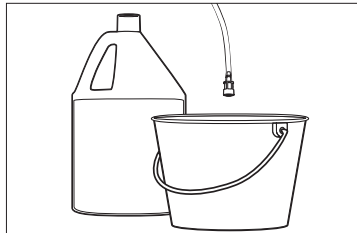
Adjust the filter end of the detergent tube for light (- / 0.13 gpm), or maximum (+ / 0.18 gpm) detergent coverage.



8

Step 3

Fill a container with Kärcher detergent. Place the filter end of detergent suction tube into the container.



Step 4

With the engine running, pull trigger to operate unit: Liquid detergent is drawn into the unit and mixed with water. Apply detergent to work area. Do not allow detergent to dry on surface.

For best results see Cleaning Tips on pages 10 & 11 for specific information on how to clean different surfaces.

Always Use Kärcher Detergents for Best Results.

Kärcher biodegradable detergents are specially formulated to protect the environment and your pressure washer. Special formula won't clog the suction tube filter and will protect the internal parts of the pressure washer for a longer life. For Kärcher Detergents, check your retailer or call our service center for help.

The following Kärcher detergents are available in USA / Mexico:

- All Purpose and Vehicle Wash
- Exterior House Cleaner
- Deck & Patio Cleaner
- Heavy Duty Degreaser

The following Kärcher detergents are available in Canada:

- Vehicle Wash
- Pressure Wash
- Deck + Fence Wash
- Degreaser



Caution Never use:

- Bleach, Chlorine products and other corrosive chemicals.
- Liquids containing solvents (i.e., paint thinners, gasoline, oils).
- Tri-sodium phosphate products.
- Ammonia products.
- Acid-based products.

These chemicals will harm the unit and will damage the surface being cleaned.

SHUTTING DOWN & CLEAN-UP

SHUTTING DOWN

Step 1

Remove detergent suction tube from container and insert into 1 gallon of fresh water. Siphon water at low pressure for one minute.

Step 2

Turn off the engine.

Step 3

Turn off the water source.

Step 4

Press trigger to release water pressure.

Step 5

Disconnect the garden hose from the water inlet on the unit.

Step 6

Disconnect the high pressure hose from the high pressure outlet and engage the gun safety lock.

TAKING A BREAK

... five minutes or more

Step 1

Turn off the engine.

Step 2

Engage gun safety lock.

MAINTENANCE INSTRUCTIONS

Cleaning the water inlet filter

- Pull out the water inlet filter with flat-nose pliers and rinse filter in warm water.

Cleaning the detergent filter

- Pull out the detergent suction tube and rinse filter in warm water.

WINTERIZING AND LONG-TERM STORAGE

1. Disconnect all water connections.
2. Turn on the machine for a few seconds, until the water which had remained in the pump exits. Turn off immediately.
3. Do not allow high pressure hose to become kinked.
4. Store the machine and accessories in a room which does not reach freezing temperatures.

Caution: Failure to follow the above directions will result in damage to the pump assembly and accessories.

Kärcher also recommends the regular practice of using a pump protector like 'Kärcher Pump Protector' to help during storage in the winter months.

CLEANING TIPS

Deck Cleaning (with or without detergent)

Pre-rinse deck and surrounding area with fresh water. If using Kärcher Deck & Patio Cleaner, (*Canada: Deck + Fence Wash*) place detergent suction tube directly into cleaning solution and apply to surface at low pressure. For best results, limit your work area to smaller sections of approximately 25 square feet. Allow detergent to remain on surface 1-3 minutes. Do not allow detergent to dry on surface. Rinse at high pressure in a long sweeping motion keeping the spray nozzle approximately 3-6 inches from the cleaning surface. Always clean from top to bottom and from left to right. When moving on to a new section of the cleaning surface, be sure to overlap the previous section to eliminate stop marks and ensure a more even cleaning result.

Caution: *Do not use rotating nozzle spray wand on wood surface as it may cause damage.*

10 House Siding (with or without detergent)

Pre-rinse cleaning surface with fresh water. If using Kärcher Exterior House Cleaner (*Canada: Pressure Wash*), place detergent suction tube directly into cleaning solution and apply to surface at low pressure (for best results, limit your work area to sections of approximately 6 feet and always apply detergent from bottom to top). Allow detergent to remain on surface 1-3 minutes. Do not allow detergent to dry on surface, if surface appears to be drying, simply wet down surface with fresh water. Rinse at high pressure from top to bottom in an even sweeping motion keeping the spray nozzle approximately 6 inches from the cleaning surface.

Caution: *Do not use rotating nozzle spray wand on siding as it may cause damage.*

Cement Patios, Brick and Stone (with or without detergent)

Pre-rinse cleaning surface with fresh water. If using Kärcher All Purpose and Vehicle Wash (*Canada: Pressure Wash or Degreaser*), place detergent suction tube directly into cleaning solution and apply to surface at low pressure. For best results, limit your work area to smaller sections of approximately 25 square feet. Allow detergent to remain on surface 1-3 minutes. Do not allow detergent to dry on surface. Rinse at high pressure in a sweeping motion keeping the spray nozzle approximately 3-6 inches from the cleaning surface. Always clean from top to bottom and from left to right. For removing extremely stubborn stains, use Kärcher Rotating Nozzle Spray Wand.

Cars, Boats & Motorcycles (with or without detergent)

Pre-rinse vehicle with fresh water. If using Kärcher All Purpose and Vehicle Wash, place detergent suction tube directly into cleaning solution and apply to surface at low pressure. For best results, clean one side of vehicle at a time and always apply detergent from bottom to top, do not allow detergent to dry on surface. Rinse at high pressure in a sweeping motion keeping the spray nozzle approximately 6-8 inches from the cleaning surface (distance should increase when rinsing pin-striping or other sensitive surfaces). Always clean from top to bottom and from left to right. For best results, wipe surface dry with a chamois or soft dry cloth.

Caution: *Do not use rotating nozzle spray wand on vehicles as it may cause damage.*

Barbecue Grills, Outdoor Power Equipment & Gardening Tools (with or without detergent)

Pre-rinse cleaning surface with fresh water. If using Kärcher All Purpose and Vehicle Wash or Heavy Duty Degreaser (*Canada: Pressure Wash or Degreaser*), place detergent suction tube directly into cleaning solution and apply detergent at low pressure. Allow detergent to remain on surface 1-3 minutes. Do not allow detergent to dry on surface. Rinse at high pressure keeping the spray nozzle approximately 3-6 inches from the cleaning surface. For removing extremely stubborn dirt, it may be necessary to move the spray nozzle even closer to the surface for greater dirt cutting action. To remove caked on mud from garbage cans, lawn mower blades, wheel barrels or other non-sensitive metal surfaces, you may want to use the Kärcher Rotating Nozzle Spray Wand.

Caution: *Do not use rotating nozzle spray wand on cloth, plastic or other sensitive surfaces as it may cause damage.*

Patio & Lawn Furniture (with or without detergent)

Pre-rinse furniture and surrounding area with fresh water. If using Kärcher All Purpose and Vehicle Wash (*Canada: Pressure Wash*), place detergent suction tube directly into cleaning solution and apply to surface at low pressure. Allow Kärcher detergent to remain on surface 1-3 minutes. Do not allow detergent to dry on surface. If needed use special Wash Brush Attachment to remove stubborn dirt. Rinse at high pressure in a sweeping motion keeping the spray nozzle approximately 3-6 inches from the cleaning surface. For best results, clean from top to bottom and from left to right.

Caution: *Do not use rotating nozzle spray wand on patio or lawn furniture as it may cause damage.*

Recommendations

- Before cleaning any surface an inconspicuous area should be cleaned to test spray pattern and distance for maximum cleaning results.
- If painted surfaces are peeling or chipping, use extreme caution as pressure washer may remove the loose paint from the surface.
- When using on surfaces which might come in contact with food, flush surfaces with plenty of drinking water.

OPTIONAL CLEANING ACCESSORIES

Optional cleaning accessories are available to further enhance your cleaning capabilities.

- Wash Brush
- Underbody Wand
- Extension Wand
- Extension Hose
- Hose Reel
- Water Siphon Kit

TROUBLESHOOTING

Please remove the spark plug cable to prevent accidental ignition of the engine before making any repair.

Engine will not start.

- No gasoline.
 - Fill gas tank.
- Low oil level
 - Add oil.
- Engine is not primed.
 - Push primer ball three times.
- Engine throttle is not in correct position.
 - Position the throttle to "FAST".
- Pressure built up in the high pressure washer.
 - Squeeze the trigger to release the pressure.

For additional engine problems refer to the engine owners manual.

12

Unit does not reach high pressure.

- Diameter of garden hose is too small.
 - Replace with a 3/4 inch garden hose.
- Water supply is restricted.
 - Check garden hose for kinks, leaks and blockage.
- Not enough inlet water supply.
 - Open water source full force.
- Water inlet filter is clogged.
 - Remove filter and rinse out in warm water.
- Spray wand is in low pressure position.
 - Turn spray wand tip to high pressure position.

Output pressure varies high and low.

- Not enough inlet water supply.
 - Turn water on full force. Check garden hose for kinks, leaks or blockage.
- Pump is sucking air.
 - Check that hoses and fittings are air tight. Turn off machine and purge pump by squeezing trigger gun until a steady flow of water emerges through the nozzle.
- Water inlet filter is clogged.
 - Remove filter and rinse out in warm water.
- Spray nozzle is obstructed.
 - Blow out or remove debris with a fine needle.
- Calcified gun, hose or spray wand.
 - Run distilled vinegar through detergent suction tube.

No detergent.

- Detergent suction tube not properly connected to the machine.
 - Check connection.
- Detergent is too thick.
 - Dilute detergent. For best results, use Kärcher detergent.
- Detergent filter valve is at lowest setting.
 - Set detergent filter valve to a higher setting.
- Filter on detergent suction tube is clogged.
 - Run warm water through filter to remove debris.
- Damaged or clogged detergent suction tube.
 - Remove obstruction or replace detergent suction tube.
- Spray wand is in high pressure position.
 - Turn spray wand tip to low pressure position.
- Spray nozzle is obstructed.
 - Blow out or remove debris with fine needle.

TROUBLESHOOTING – *continued*

Garden hose connection leaks.

- Loose fittings.
 - Tighten fittings.
- Missing/worn rubber washer.
 - Insert new washer.

Spray wand leaks.

- Spray wand not properly attached.
 - Insert the spray wand into the trigger gun. Carefully press in against the spring tension and twist into the locked position.
- Broken o-ring or plastic insert.
 - Call Kärcher customer service hotline and order repair kit

Pump is noisy.

- Pump is sucking air.
 - Check that hoses and fittings are air tight. Turn off machine and purge pump by squeezing trigger gun until a steady flow of water emerges through the nozzle.

Water leaks from pump.

- Loose fittings.
 - Check that all fittings are tight.
- Water seals are damaged or worn.
 - Call service center.
- Thermal protection device is activated.
 - Thermal protection device will auto reset.

Oil Drip.

- Oil seals are damaged or worn.
 - Call service center.

If you encounter any additional difficulties not listed, please call our customer support for help.

WARRANTY USA

See enclosed warranty card.

WARRANTY CDN

Kärcher Canada Inc. warrants to the original owner that this product shall be free from defects in material and workmanship for **two years** from the date of its original purchase. If such a defect appears during the warranty period, upon presentation of proof of purchase, Kärcher Canada Inc. will repair or replace (at its option) your product without charge.

This warranty does not cover accidental damage, unreasonable use, normal wear and tear, loss of use or other consequential damages, nor does it cover repairs made or attempted by unauthorized persons.

Trigger gun, hose, spray wands and other accessories are warranted for **3 months**. Please note that no returns will be accepted without prior authorization from our customer service department.

It is the owner's responsibility to file claims for damage caused by public transportation carriers directly with the carrier concerned.

Kärcher Customer Support USA

Call: **1-800-537-4129** for help
or visit our website:
www.karcher-usa.com

Kärcher Customer Service CDN

Call: **1-800-465-4980** for help
or visit our website:
www.karcher.ca

Manual del Operador

Generalidades	14
Precauciones	15
Instrucciones de Ensamblaje	16
Instrucciones de Operación	17
Uso de los Accesorios	18
Trabajo con Detergentes	19
Tomando un descanso	20
Preparación para el Invierno y Almacenaje de Largo Plazo	21
Sugerencias de Limpieza	22-23
Accesorios de Limpieza Opcionales	23
Localización de Fallas Mecánicas	24-25

14

Especificaciones

Presión de operación	2000 PSI
Volumen de agua	2 GPM
Aspiración de detergent	0.13 – 0.18 GPM
Motor	4 HP Tecumseh LV 148
Part No.	1.133-601
Serial No.	_____

Kärcher En USA

llame al: **1-800-537-4129**
o visite nuestro sitio web:
www.karcher-usa.com

Kärcher En Mexico

llame al: **01-800-024-13-13**
o visite nuestro sitio web:
www.karcher.com.mx