



THE KING OF SNOW®

Professional Series Hydro Sno-Thro®

- EN** Owner/Operator Manual
- BG** Ръководство за работа на ползвателя/оператора
- CZ** Návod k obsluze
- DE** Betriebsanleitung
- ES** Manual del propietario/operador
- FI** Käyttöohjekirja
- FR** Manuel du propriétaire/utilisateur
- HU** Tulajdonosi/kezelői útmutató
- IT** Manuale del proprietario/operatore
- NL** Gebruikshandleiding
- NO** Brukerhåndbok
- PL** Instrukcja obsługi / operatora
- RO** Manualul proprietarului / operatorului
- RU** Руководство владельца/пользователя
- SI** Navodila za uporabo
- SK** Príručka majiteľa/obsluhy
- SV** Instruktionsbok
- TR** Kullanım Kılavuzu

Models

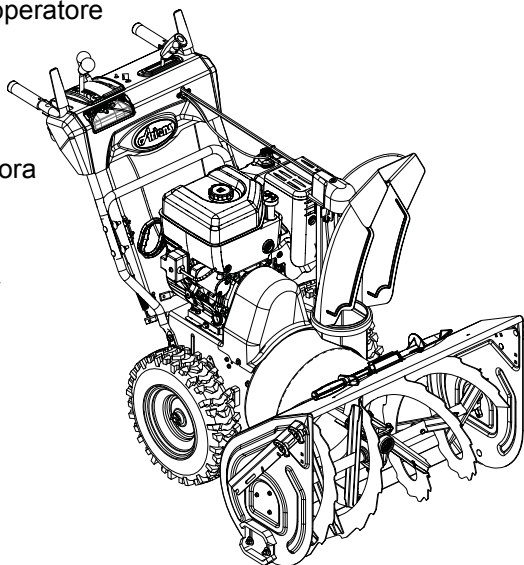
926325 – Hydro Pro 28 Track
(SN 096000+)

926326 – Hydro Pro 28
(SN 096000+)

926329 – Hydro Pro 36
(SN 096000+)

926514 – Hydro Pro 32 12V Track
(SN 096000+)

926517 – Hydro Pro 32 12V
(SN 000101+)



04763215A • 8/14
Printed in USA

Ariens
COMPANY



Ariens Company
655 West Ryan
Street
Brillion, Wisconsin
54110-1072 USA
Telephone
(920) 756-2141
Facsimile
(920) 756-2407

EC DECLARATION OF CONFORMITY ISSUED BY THE MANUFACTURER – ЕО ДЕКЛАРАЦИЯ ЗА СЪОТВЕТВИЕ, ИЗДАВАНА ОТ ПРОИЗВОДИТЕЛЯ – ES PROHLÁŠENÍ O SHODĚ, VYDANÉ VYROBCEM – VOM HERSTELLER HERAUSGEGEBENE EG-KONFORMITÄT-SERKLÄRUNG – DECLARATION DE CONFORMITÉ DE CE EMITIDA POR EL FABRICANTE – VALMISTAJAN ANTAMA EY-VAATIMUSTENMUKAISUUSVAKUUTUS – DECLARATION DE CONFORMITÉ CE ÉMISE PAR LE FABRICANT – A GYÁRTÓ ÁLTAL KIÁLLÍTOTT EK MEGFELELŐSÉGI NYILATKOZAT – DICHIARAZIONE DI CONFORMITÀ CE DEL PRODOTTO RILASCIATA DAL PRODUTTORE – EG- CONFORMITEITSVERKLARING, UITGEGEVEN DOOR DE FABRIKANT – EF-SAMSVARSERKLÆRING FRA PRO- DUSENTEN – DEKLARACJA ZGODNOŚCI Z PRZEPISAMI E CE WYDANA PRZEZ PRO- DUCENTA – DECLARATIE DE CONFORMITATE CE EMISĂ DE PRODUCĂTOR – СОСТАВЛЕННОЕ ПРОИЗВОДИТЕЛЕМ ЗАЯВЛЕНИЕ О СООТВЕТСТВИИ СТАНДАРТАМ И НОРМАМ ЕС – ES-IZJAVA O SKLADNOSTI, KI JO JEG-DEKLARA- TIONEN OM ÖVERENSSTÄMMELSE UTFÄRDAD AV TILLVERKAREN – E IZDAL PROIZVAJALEC – ES VYHLÁŠENIE O ZHODE, VYDANÉ VYROBCEM – ÜRETŐCI TARAFINDAN DÜZENLENEN EC UYGUNLUK BEYANI

We the undersigned, ARIENS COMPANY, certify that: Ние, долуподписаните от фирма ARIENS, удостоверяваме, че: My, niżej podepsani, ARIENS COMPANY, prohiásujeme, že: Der Unterzeichnete, ARIENS COMPANY, bescheinigt, dass: Nosotros, los abajo firmantes, ARIENS COMPANY, certificamos que: Allekirjoittanut, ARIENS COMPANY, vakuuttaa, että: Nous, soussignés ARIENS COMPANY, certifions que: Alulírott, ARIENS COMPANY, tanúsítja, hogy: La sottoscritta società ARIENS COMPANY certifica che: Wij, de ondergetekenden, ARIENS COMPANY, verklaren dat: Undertegnede, ARIENS COMPANY, bekræfter at: My, niżej podpisani, ARIENS COMPANY, oświadczamy, że: Subsemnata ARIENS COMPANY, certifica: Мы (фирма ARIENS), нижеподписавшиеся, настоящим заявляем, что: Spodaj podpisani ARIENS COMPANY, potrujemo, da je: My, spoločnosť ARIENS COMPANY vyhlasujeme, že: Undertecknad, ARIENS COMPANY, intygar att: Biz alitta imzası bulunan, ARIENS COMPANY olarak tasdik ederiz ki:

Type: Тип: Typ: Type: Тиро: Туурри: Type: Тіпу: Тіпо: Typen: Тип: Tip: Тип: Tip: Typ: Tip: Тип:	Walk-Behind Snow Thrower – Снегорин с ръчно управление – Sněhová fréza s pojezdem – Handgeführte Schneefräse – Caminar por detrás de la lanzadora de nieve – Käsinoihajaitava Lumilinko – Les Chasse-neige Autotractés – Tologots hómaró – Spazzaneeve Semovente – aan de sneeuwruimer – Snøfreser – Odgarniacz śniegu do prowadzenia przed sobą – Freză de zăpadă – Снегочиститель, управляемый идущим сзади оператором – Ročno vodljiva snežna freza – Snehová fréza s kráčajúcou obsluhou – Gá bakom snöslungan – Kar kűreme makinesi
---	--

Trade Name: Търговско название: Obchodní název: Handelsbezeichnung: Nombre comercial: Каурпаними: Appellation commerciale: Kereskedelmi név: Nome commerciale: Handelsnaam: Handelsnavn: Nazwa handlowa: Nume comercial: Название фирмы: Trgovsko ime: Názov výrobku: Handelsbeteckning: Ticaret Unvani:	Ariens
--	--------

Model , Model Name, Serial Number: Модел, Име на модела, Сериен номер: Model, název modelu, výrobní číslo: Modell, Modellname und Seriennummer: Modelo, Nombre, N° de Serie: Malli, mallin nimi, sarjanumero: Modèle, nom du modèle, numéro de série: Modell, Modellnév, Sorozatszám: Modello, Nome modello, Numero di serie: Model, Model Naam, Volgnummer: Modell, modellnavn, serienummer: Model, nazwa modelu, numer seryjny: Model, nume model, număr serie: Модель, наименование модели, серийный номер: Model, ime modela, serijska številka: Model, nModel, Model Adi, Seri Numarasi: ázov modelu, výrobné číslo: Modell, modellnamn, serienummer:	926325, Hydro Pro 28 Track, 096000+ 926326, Hydro Pro 28, 096000+ 926329, Hydro Pro 36, 096000+ 926514, Hydro Pro 32 12V Track, 096000+ 926517, Hydro Pro 32 12V, 000101+
--	---

Conforms to: Съответства на: Odpovídá normě: mit den Anforderungen der folgenden Richtlinien übereinstimmt: Cuple con: Tøuttåå seargaavat vaatimukset: Est conforme à: Megfelel: É conforme a: Voldoet aan: Er i samsvar med: Jest zgodny z: În conformitate cu: Соответствует: V skladu z: Je v zhode s: Överensstämmer med: Uygundur:

2006/42/EC, 2004/108/EC, 2002/88/EC
2000/14/EC amended by 2005/88/EC Conformity Assessment Annex V. 2000/14/EC изменена от 2005/88/EC за оценка на съответствието приложение V. 2000/14/EC ve znení 2005/88/ES o posuzování shody příloze V. 2000/14/EC geändert durch 2005/88/EG Konformitätsbewertung Anhang V. 2000/14/EC modificata por 2005/88/CE evaluación de la conformidad del anexo V. 2000/14/EY muutettuna 2005/88/EY vaatimustenmukaisuuden arviointi Liite V. 2000/14/CE modifiée par 2005/88/CE évaluation de la conformité aux annexes V. 2000/14/EC módosított 2005/88/EK megfeleléség-értékelés V. mellékletének. 2000/14/EC modificata dalla 2005/88/CE Valutazione Conformità, Allegato V. 2000/14/EG gewijzigd bij 2005/88/EG conformiteitsbeoordeling bijlage V. 2000/14/EC endret ved 2005/88/EC konformitetsvurdering annekks V. 2000/14/EC zmieniona przez 2005/88/WE oceny zgodności załączniku V. 2000/14/EC modificată prin 2005/88/EC evaluarea conformităţii anexa V. 2000/14/EC amended by 2005/88/EC Conformity Assessment Annex V. 2000/14/EC spreminjena z 2005/88/ES ocenjevanja skladnosti v Prilogi V. 2000/14/EC v znení 2005/88/ES o posudzování zhody přílohe V. 2000/14/EC ändrat genom 2005/88/EG Överensstämmelseutvärdering Bilaga V. 2000/14/EC 2005/88/EC Uygunluk Değerlendirme Ek V ile değiştirilen.



<p>Representative Measured Sound Power Level (L_{wa}) – Представительно измерено ниво на акустична мощност (L_{wa}) – Representativni hodnota změněné hladiny hluchnosti (L_{wa}) – Repräsentativer gemessener Geräuschpegel (L_{wa}) – Nivel de potencia acústica representativo medido (L_{wa}) – Tyypillinen mitattu äänitehotaso (L_{wa}) – Niveau de puissance acoustique représentatif mesuré (L_{wa}) – Tipikus mért hangteljesítmény (L_{wa}) – Livello di potenza sonora rappresentativo rilevato (L_{wa}) – Representatief gemeten geluidsniveau (L_{wa}) – Representativt målt lydeffektnivå (L_{wa}) – Zmierzonny reprezentatywny poziom mocy akustycznej (L_{wa}) – Nivel reprezentativni măsurat putere acustică (L_{wa}) – Репрезентативный измеренный уровень звуковой мощности (L_{wa}) – Tipična izmerjena raven zvočne moči (L_{wa}) – Charakteristická zmeraná hladina akustického výkonu (L_{wa}) – Representativt uppmätt ljudnivå (L_{wa}) – Örnek Ölçülmüş Ses Güç Seviyesi (L_{wa})</p>	<p>Guaranteed Sound Power Level (L_{wa}) – Гарантировано ниво на акустична мощност (L_{wa}) – Zaručovaná hodnota hladiny hluchnosti (L_{wa}) – Garantierter Geräuschpegel (L_{wa}) – Nivel de potencia acústica garantizado (L_{wa}) – Taattu äänitehotaso (L_{wa}) – Niveau de puissance acoustique garanti (L_{wa}) – Garantált hangteljesítmény (L_{wa}) – Livello di potenza sonora garantito (L_{wa}) – Gegarandeerd geluidsniveau (L_{wa}) – Garantert lydeffektnivå (L_{wa}) – Gwarantowany reprezentatywny poziom mocy akustycznej (L_{wa}) – Nivel garantat putere acustică (L_{wa}) – Гарантированный уровень звуковой мощности (L_{wa}) – Zajamčena raven zvočne moči (L_{wa}) – Zaručená hladina akustického výkonu (L_{wa}) – Garanterad uppmätt ljudnivå (L_{wa}) – Garanti Edilmiş Ses Güç Seviyesi (L_{wa})</p>		
<p>926326, 926329, 926517 926325, 926514</p>	<p>101 dB_A 102 dB_A</p>	<p>926326, 926329, 926517 926325, 926514</p>	<p>105 dB_A 106 dB_A</p>
<p>Engine Power (Kw @ RPM): Мощност на двигателя (Kw @ RPM): Výkon motoru při regulovaných otáčkách (kW při ot./min.): Motorleistung (kW bei U/Min): Potencia del motor (Kw a RPM): Enimmäisteho (Kw @ RPM): Puissance moteur (kW au régime max.): Motorteljesítmény (Kw @ RPM): Potenza max. del motore (Kw a giri/min.): Motor Vermogen (Kw @ RPM): Motoreffekt (Kw @ RPM): Moc silnika (Kw przy obr./min): Putere motor (Kw la RPM): Мощность двигателя (кВт при об/мин): Moč motorja (kW pri vrt./min.): Výkon motora (Kw @ RPM) (kW / ot./min.): Motoreffekt (kW @ varvial): Motor Gücü (Kw @ RPM):</p>	<p>926325 10.1 @ 3700 926326 10.1 @ 3700 926329 10.1 @ 3700 926514 10.1 @ 3700 926517 10.1 @ 3700</p>		
<p>Fred J. Moreaux: Director Product Conformance & Warranty (Keeper of Technical File) / Начальник Сьответствие на продукта и Гаранция (Пазител на техническото досие) / Správce shody výrobu a záruku (správce technické dokumentace) / Director Product Conformance & Warranty (Archivar der technischen Akte) / Director de conformidad de los productos y de garantía (Conservador de los archivos técnicos) / Tuotteen vaatimustenmukaisuudesta vastaava johtaja (teknisen tiedoston haltija) / Responsable de la conformité des produits et de la garantie (Dépositaire de la fiche technique) / Termék megfelelőeségi és garanciális igazgató (műszaki dokumentáció tárolásának felelőse) / Responsabile di conformità del prodotto e garanzia (depositario del fascicolo tecnico) / Directeur technische produktstandaardisatie & garantie (Houder van het technische bestand) / Ansvarlig for produktsamsvar (innehaver av teknisk fil) / Dyrektor ds. zgodności produktów i gwarancji (przechowujący dokumentację techniczną) / Director conformitate și garanție produs (responsabil fișă tehnică) / Директор по гарантита на изделия и их соответствии стандартам (Хранитель технического файла) / Direktor za skladnost in garancijo izdelka (skrbnik tehnične dokumentacije) / Vedúci pre zohodu a záruku výrobu (udržavateľ súboru technickej dokumentácie) / Chef för produktöverensstämmelse och garanti (innehavare av tekniska data) / Ürün Uygunluk ve Garanti Müdürü (Teknik Dosya Saklayıcısı)</p>	 Ariens Company Brillion, WI 54110-1072 USA Signature – Подпис – Podpis – Unterschrift – Firma – Allekirjoitus – Signature – Aláírás – Firma – Handtekening – Signatur – Podpis – Semnătură – Подпись – Podpis – Podpis – Namnteckning – Imza	<p>08/20/2014 Date – data – Datum – Datum – Datum – Fecha – Päivämäärä – Date – Datum – Data – Datum – Dato – Data – Data – data – Datum – Datum – Datum – Tarihi</p>	
<p>David Sturges: Authorized to Compile the Technical File / Упълномощен да състави Техническото досие / Oprávněný vytvořit technickou dokumentaci / Autorizado para compilar los archivos técnicos / ur Anlage der technischen Akte ermächtigt / Valtuutettu laatimaan teknisen tiedoston / Autorisé à remplir la fiche technique / A műszaki dokumentáció összeállítására jogosult / Autorizzato alla compilazione del fascicolo tecnico / Geautoriseerd om het technische bestand samen te stellen / Autoriserat til å produsere den tekniske filen / Uprawniony do przygotowania dokumentacji technicznej / Autorizat pentru prelucrarea fișei tehnice / Уполномочен на составление технического файла / Pooblaščenec za pripravo tehnične dokumentacije / Oprávněný na zos-tavenie súboru technickej dokumentácie / Auktoriserad att kompilera den tekniska filen / Teknik Dosyayı Derleme Yetkilii</p>	 Ariens Company Great Haseley Oxford OX44 7PF UK Signature – Подпис – Podpis – Unterschrift – Firma – Allekirjoitus – Signature – Aláírás – Firma – Handtekening – Signatur – Podpis – Semnătură – Подпись – Podpis – Podpis – Namnteckning – Imza	<p>08/20/2014 Date – data – Datum – Datum – Datum – Fecha – Päivämäärä – Date – Datum – Data – Datum – Dato – Data – Data – data – Datum – Datum – Datum – Tarihi</p>	

TABLE OF CONTENTS

SAFETY.....	6	STORAGE.....	36
ASSEMBLY.....	11	SERVICE PARTS.....	37
CONTROLS and FEATURES.....	16	ACCESSORIES.....	37
OPERATION.....	17	TROUBLESHOOTING.....	38
MAINTENANCE.....	25	SPECIFICATIONS.....	39
SERVICE AND ADJUSTMENTS.....	29	WARRANTY.....	40

INTRODUCTION

Original instructions.

MANUALS

Before operating unit, carefully and completely read your manuals. If used improperly, this unit could be dangerous and cause personal injury or property damage. The contents will provide you with safety instructions for the safe use of your unit during normal operation and maintenance. All reference to left, right, front, or rear are given from operator standing in operation position and facing the direction of forward travel.

ENGINE MANUAL

The engine on this unit is covered by a separate manual specific to the engine. This manual is included in the literature package that shipped with the unit. Refer to this manual for engine service recommendations. If the engine manual is not available, contact the engine manufacturer for a replacement manual.

MODEL AND SERIAL NUMBERS

When ordering replacement parts or making service inquiries, know the model and serial numbers of your unit and engine.

Numbers are located on the product registration form in the unit literature package. They are printed on a serial number label, located on the frame of your unit.

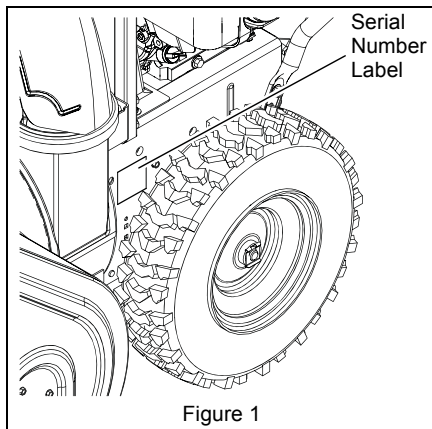


Figure 1

- Record unit model and serial numbers here.

- Record engine model and serial numbers here.

PRODUCT REGISTRATION

The Ariens dealer must register the product at the time of purchase. Registering the product helps the company process warranty claims or contact you with the latest service information. All claims meeting requirements during the limited warranty period will be honored, whether or not the product registration card is returned. Keep a proof of purchase if you do not register your unit.

Customer Note: If the dealer does not register your product, please fill out, sign, and return the product registration card to Ariens or go to www.ariens.eu.

UNAUTHORIZED REPLACEMENT PARTS

Use only Ariens replacement parts. The replacement of any part on this vehicle with anything other than an Ariens authorized replacement part may adversely affect the performance, durability, or safety of this unit and may void the warranty. Ariens disclaims liability for any claims or damages, whether warranty, property damage, personal injury or death arising out of the use of unauthorized replacement parts. To locate your nearest Ariens Dealer, go to www.ariens.eu on the Internet.

DISCLAIMER

Ariens reserves the right to discontinue, make changes to, and add improvements upon its products at any time without public notice or obligation. The descriptions and specifications contained in this manual were in effect at printing. Equipment described within this manual may be optional. Some illustrations may not be applicable to your unit.

DELIVERY

Customer Note: If you have purchased this product without complete assembly and instruction by your retailer, it is your responsibility to:

1. Read and understand all assembly instructions in this manual. If you do not understand or have difficulty following the instructions, contact your nearest Ariens Dealer for assistance. Make sure all assembly has been properly completed.

NOTICE: To locate your nearest Ariens Dealer, go to www.ariens.eu on the Internet.



WARNING: Improper assembly or adjustments can cause serious injury.

2. Understand all Safety Precautions provided in the manuals.
3. Review control functions and operation of the unit. Do not operate the Sno-Thru unless all controls function as described in this manual.
4. Review recommended lubrication, maintenance and adjustments.
5. Review Limited Warranty Policy.
6. Fill out a Product Registration Card and return the card to the Ariens Company or go to www.ariens.eu.

SAFETY



WARNING: To avoid injury to hands and feet, always disengage clutches, shut off engine, and wait for all movement to stop before unclogging or working on snow thrower.

Hand contact with the rotating impeller is the most common cause of injury associated with snow throwers. Never use your hand to clean out the discharge chute.

Keep hands and feet away from auger and impeller.

SAFETY ALERTS



Look for these symbols to point out important safety precautions. They mean:

Attention!



**Personal Safety Is Involved!
Become Alert!
Obey The Message!**

The safety alert symbols above and signal words below are used on decals and in this manual. Read and understand all safety messages.



DANGER: IMMINENTLY HAZARDOUS SITUATION! If not avoided, WILL RESULT in death or serious injury.



WARNING: POTENTIALLY HAZARDOUS SITUATION! If not avoided, COULD RESULT in death or serious injury.



CAUTION: POTENTIALLY HAZARDOUS SITUATION! If not avoided, MAY RESULT in minor or moderate injury. It may also be used to alert against unsafe practices.

NOTATIONS

NOTICE: General reference information for proper operation and maintenance practices.

IMPORTANT: Specific procedures or information required to prevent damage to unit or attachment.

PRACTICES AND LAWS

Practice usual and customary safe working precautions, for the benefit of yourself and others. Understand and follow all safety messages. Be alert to unsafe conditions and the possibility of minor, moderate, or serious injury or death. Learn applicable rules and laws in your area. Always follow the practices set forth in this manual.

REQUIRED OPERATOR TRAINING

Original purchaser of this unit was instructed by the seller on safe and proper operation. If unit is to be used by someone other than original purchaser; loaned, rented or sold, ALWAYS provide this manual and any needed safety training before operation.

SAFETY DECALS AND LOCATIONS

ALWAYS replace missing or damaged Safety Decals. Refer to Figure 2 below for Safety Decal locations.

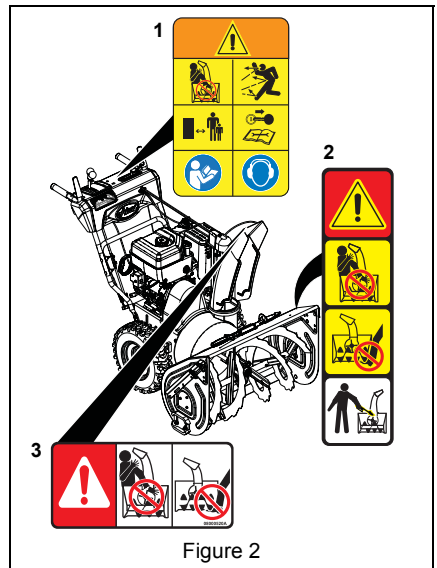


Figure 2

1. DANGER!



Danger!



ONLY use clean-out tool to clear blockages. NEVER use your hands.



Never direct discharge towards persons or property that may be injured or damaged by thrown objects.



Keep people away from unit while operating. Keep children out of work area and under watchful care of a responsible adult.



Stop engine, remove key, read manual before making any repairs or adjustments.



Read Owner/Operator Manual.



Wear appropriate hearing protection.

2. DANGER!



Danger!



ROTATING PARTS! ONLY use clean-out tool to clear blockages. NEVER use your hands. **High speed impeller rotates below discharge opening. Wait for all moving parts to stop before removing clogs or servicing.**



3. DANGER!



Danger!



ROTATING PARTS. Keep clear of auger while engine is running.

- Read Operator's Manual.
- Allow operation only by properly trained adult, never children.
- Stop engine and remove ignition key prior to leaving the operator's position for any reason.
- Keep all controls, guards and safety devices properly serviced and functional.
- Never direct discharge towards persons or property that may be injured or damaged by thrown objects.



EMISSION CONTROL SYSTEM

This equipment and/or its engine may include exhaust and evaporative emissions control system components required to meet U.S. Environmental Protection Agency (EPA) and/or California Air Resources Board (CARB) regulations. Tampering with emission controls and components by unauthorized personnel may result in severe fines or penalties. Emission controls and components can only be adjusted by an Ariens Company dealer or an authorized engine manufacturer's service center. Contact your Ariens Company Equipment Retailer concerning emission controls and component questions.

SAFETY RULES

Read, understand, and follow all safety practices in Owner/Operator Manual before beginning assembly or operating. Failure to follow instructions could result in personal injury and/or damage to unit.

ALWAYS remove key and/or wire from spark plug before assembly, maintenance or service. Unintentional engine start up can cause death or serious injury.

Complete a walk around inspection of unit and work area to understand:

- Work area
- Your unit
- All safety decals

ALWAYS check overhead and side clearances carefully before operation.

ALWAYS be aware of traffic when operating along streets or curbs.

Keep children and people away. Keep children out of work area and under watchful care of a responsible adult.

NEVER allow children to operate or play on or near unit. Be alert and shut off unit if children enter area.

DO NOT allow adults to operate unit without proper training. Only trained adults may operate unit. Training includes actual operation.

Keep area of operation clear of all toys, pets, and debris. Thrown objects can cause injury.

Check for weak spots on docks, ramps or floors. Avoid uneven work areas and rough terrain. Stay alert for hidden hazards.

DO NOT operate near drop-offs, ditches, or embankments. Unit can suddenly turn over if a wheel is over the edge of a cliff or ditch, or if an edge caves in.

Falling snow, fog, etc. can reduce vision and cause an accident. Operate unit only when there is good visibility and light.

NEVER operate unit after or during the use of medication, drugs or alcohol. Safe operation requires your complete and unimpaired attention at all times.

NEVER allow anyone to operate this unit when their alertness or coordination is impaired.

DO NOT operate unit without wearing adequate winter outer garments. Wear adequate safety gear, including safety glasses with side shields, and protective gloves. Wear proper footwear to improve footing on slippery surfaces.

DO NOT wear loose clothing or jewelry and tie back hair that may get caught in rotating parts.

Protect eyes, face and head from objects that may be thrown from unit. Wear appropriate hearing protection.

Avoid sharp edges. Sharp edges can cut. Moving parts can cut off fingers or a hand.

ALWAYS keep hands and feet away from all rotating parts during operation. Rotating parts can cut off body parts.

NEVER place your hands or any part of your body or clothing inside or near any moving part while unit is running.

ALWAYS keep hands away from all pinch points.

DO NOT touch unit parts which might be hot from operation. Allow parts to cool before attempting to maintain, adjust or service.

Never direct discharge towards persons or property that may be injured or damaged by thrown objects. Use extreme caution on gravel surfaces. Stay alert for hidden hazards or traffic. Adjust Skid Shoes so Scraper Blade does not contact gravel.

DO NOT throw snow any higher than necessary.

Deflected materials can cause injury and property damage.

Always stand clear of the discharge area when operating this unit.

Fumes from engine exhaust can cause injury or death. **DO NOT** run engine in an enclosed area. Always provide good ventilation.

ALWAYS disengage attachment, stop unit and engine, remove key and allow moving parts to stop before leaving operator's position.

ROTATING AUGER CAN CAUSE SERIOUS INJURY. NEVER ATTEMPT TO UNCLOG OR CLEAN UNIT WHILE ENGINE IS RUNNING.

Read, understand, and follow all instructions in the manual and on the machine before starting.

Understand:

- How to operate all controls.
- The functions of all controls.
- How to STOP in an emergency.

Before starting engine, disengage control(s).

Use only approved extension cords and receptacles when starting units equipped with electric starter. DO NOT connect electric starter cord to any wiring system that is not a three-wire grounded system.

ALWAYS allow unit and engine to adjust to outdoor temperatures before clearing snow.

DO NOT overload the machine capacity by attempting to operate or to clear snow at too fast a rate.

Slow down and turn corners slowly.

Do not operate in reverse unless absolutely necessary. ALWAYS back up slowly. Always look down and behind before and while backing.

Disengage attachment drive when traveling from one work area to another.

Abnormal Vibrations are a warning of trouble.

Striking a foreign object can damage unit. Immediately stop unit and engine. Remove key and wait for all moving parts to stop. Remove wire from spark plug. Inspect unit and make any necessary repairs before restart.

Before cleaning, removing clogs or making any inspections, repairs, etc.: disengage clutch(es), stop unit and engine, remove key, allow moving parts to stop. Allow hot parts to cool.

Run unit a few minutes after clearing snow to prevent freeze-up of attachment.

Disengage attachment when not in use.

Disengage all clutches before starting engine. Adjust skid shoes to clear gravel or crushed rock surfaces safely.

Never leave a running unit unattended.

ALWAYS shut off engine before leaving unit. ALWAYS remove key to prevent unauthorized use.

Never carry passengers.

Check clutch and brake operation frequently. Adjust and service as required. All motion of drive wheels and auger/impeller must stop quickly when control levers are released.

DO NOT operate on steep slopes. DO NOT clear snow across the face of slopes. Keep all movement on slopes slow and gradual. DO NOT make sudden changes in speed or direction. Use a slow speed to avoid stops or shifts on slopes. Avoid starting or stopping on a slope.

DO NOT park unit on a slope unless absolutely necessary. When parking on a slope always block the wheels.

ALWAYS shut off engine, remove key, and close fuel shut-off valve or drain fuel when transporting unit on a truck or trailer.

Use extra care when loading or unloading unit onto trailer or truck.

Secure unit chassis to transport vehicle. NEVER secure from rods or linkages that could be damaged.

DO NOT transport machine while engine is running.

Keep unit free of ice or other debris. Clean up oil or fuel spills.

This product is equipped with an internal combustion type engine. DO NOT use unit on or near any unimproved, forest-covered or brush covered land unless exhaust system is equipped with a spark arrester meeting applicable local, state or federal laws. A spark arrester, if it is used, must be maintained in effective working order by operator.

Fuel is highly flammable and its vapors are explosive. Handle with care. Use only an approved gasoline container with an appropriately sized dispensing spout.

NO smoking, NO sparks, NO flames. ALWAYS allow engine to cool before servicing.

NEVER fill fuel tank when engine is running or hot from operation.

NEVER fill or drain fuel tank indoors.

Replace fuel cap securely and clean up spilled fuel.

Never fill containers inside a vehicle or on a truck or trailer bed with a plastic liner. Always place containers on the ground away from your vehicle before filling.

When practical, remove gas-powered equipment from the truck or trailer and refuel it on the ground. If this is not possible, then refuel such equipment on a trailer with a portable container, rather than from a gasoline dispenser nozzle.

Keep the nozzle in contact with the rim of the fuel tank or container opening at all times until fueling is complete. Do not use a nozzle lock-open device.

If fuel is spilled on clothing, change clothing immediately.

Avoid electric shock. Objects contacting both battery terminals at the same time may result in injury and unit damage. Do not reverse battery connections.

Explosive gases from battery can cause death or serious injury. Poisonous battery fluid contains sulfuric acid and its contact with skin, eyes or clothing can cause severe chemical burns.

No flames. No sparks. No smoking near battery.

Always wear safety glasses and protective gear near battery.

DO NOT TIP battery beyond a 45° angle in any direction.

Always keep batteries out of reach of children.

Battery posts, terminals and related accessories contain lead and lead components, chemicals known to the state of California to cause cancer and reproductive harm. Wash hands after handling.

Follow First Aid directions for contact with battery fluid:

- External contact: flush with water.
- Eyes: flush with water for at least 15 minutes and get medical attention immediately!
- Internal contact: drink large quantities of water. Follow with Milk of Magnesia, beaten egg or vegetable oil. Get medical attention immediately!
- In case of internal contact, DO NOT induce vomiting.

Properly remove fuel before tipping unit up onto housing, so no spills will occur.

Secure unit so it will not tip over during maintenance.

ALWAYS keep protective structures, guards, and panels in good repair, in place and securely fastened. NEVER modify or remove safety devices.

DO NOT change engine governor settings or over-speed engine.

Fumes from engine exhaust can cause injury or death. DO NOT run engine in an enclosed area. Always provide good ventilation.

ALWAYS maintain unit in safe operating condition. Damaged or worn out muffler can cause fire or explosion.

Keep all hardware properly tightened. Check shear bolts frequently.

Maintain or replace safety and instruction labels, as necessary.

NEVER store unit with fuel in fuel tank, inside a building where any ignition sources are present such as hot water heaters, space heaters, or clothes dryers. Allow the engine to cool before storing in any enclosure.

Shut off fuel and allow engine to cool completely before storing in closed area or covering unit.

For extended storage, clean unit thoroughly. See Engine Manual for proper storage.

Use only attachments or accessories designed for your unit.

Check components frequently. If worn or damaged, replace with manufacturer's recommended parts.

ASSEMBLY

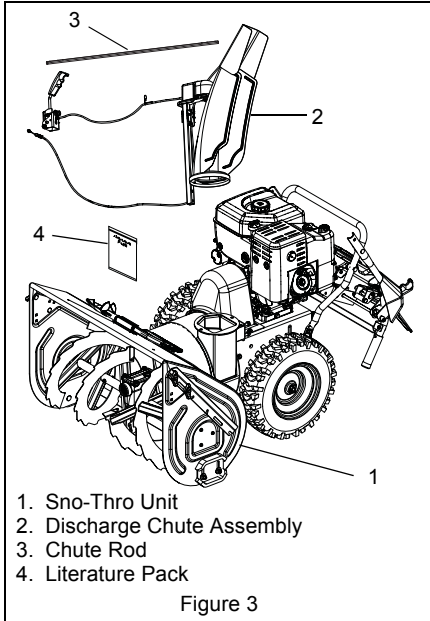


WARNING: AVOID INJURY. Read and understand the entire *Safety* section before proceeding.



WARNING: Dropping or tipping over boxed unit could result in personal injury or damage to unit.

PACKAGE CONTENTS



1. Sno-Thro Unit
2. Discharge Chute Assembly
3. Chute Rod
4. Literature Pack

Figure 3

ASSEMBLY

Tools Required

- Pliers
- Open-End Wrenches: 3/8, 7/16, 1/2, 9/16, 3/4" and/or Adjustable Wrench
- Tire Gauge
- Torque Wrench (Optional)

Unfold Handlebar

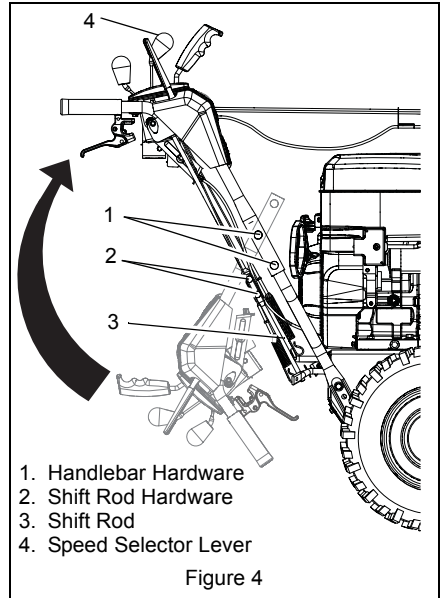
(Figure 4)

1. Remove the lower and loosen the upper hardware on the handlebar assembly.
2. Loosen the hardware on the shift rod.
3. Put the speed selector lever in the fastest reverse position.

4. Rotate the handlebars into operating position.

IMPORTANT: Be careful not to damage cable spring hooks when rotating handlebars upward.

5. Install and tighten all hardware on the handlebar assembly and shift rod.



1. Handlebar Hardware
2. Shift Rod Hardware
3. Shift Rod
4. Speed Selector Lever

Figure 4

NOTICE: The handlebar has two height positions. Adjust the handlebar height to provide better operator comfort. See *Handlebar Height* on page 30.

6. Adjust speed selector lever as specified in *Speed Selector Adjustment* on page 31.
7. Adjust attachment cable as specified in *Attachment Clutch/Brake Adjustment* on page 32.
8. Adjust traction cable as specified in *Traction Drive Clutch Adjustment* on page 34.

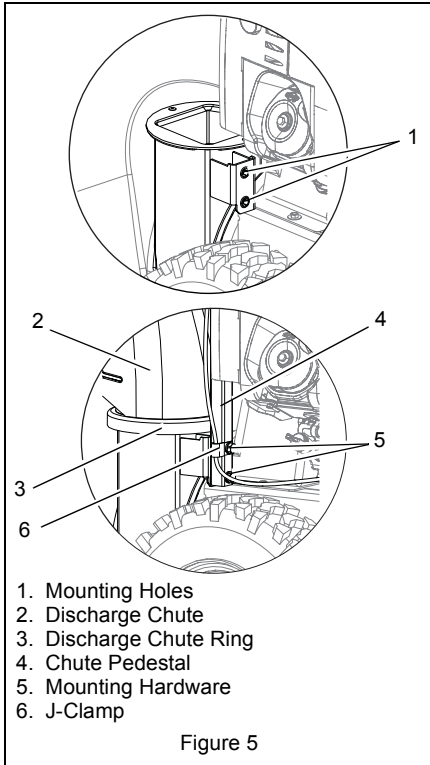
Install Discharge Chute, Chute Control and Chute Rod

(Figures 5, 6, 7 and 8)

1. Grease underside of discharge chute ring (if not already greased).
2. Remove mounting hardware from auger housing (Figure 5).

3. Install discharge chute over opening in the auger housing. Put J-clamp from deflector cable on top mounting bolt.
4. Install mounting hardware into housing and finger tighten.

NOTICE: Leave discharge chute pedestal loose to help install the chute rod.

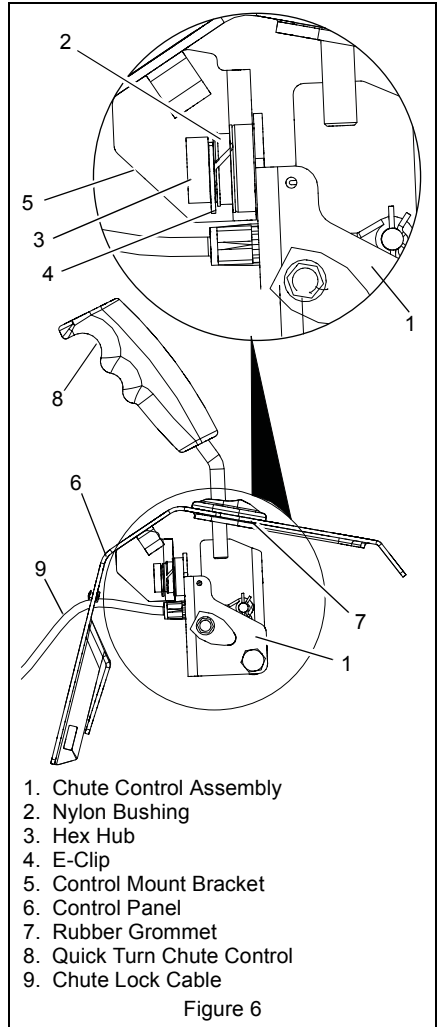


5. Remove the gear cover from top of chute pedestal. (Figure 8).
6. Release the lock arm on the gear assembly with your finger and rotate the discharge chute so it points straight ahead.

NOTICE: Make sure alignment markers on gear assembly are lined up when discharge chute is pointing straight ahead.

7. Remove chute control assembly from chute lock cable.
8. Insert chute control assembly into slot in control panel from below and insert assembly into nylon bushing in control mount bracket. Fasten to control panel using E-clip. See Figure 6.

9. Insert chute lock cable through hole in front of dash panel. Feed cable eyelet and rubber seal through hole in chute control assembly and snap cable end into control assembly. Slide rubber seal over cable end to prevent moisture from entering the cable.
10. Remove hairpin from pin on chute control, install cable eyelet onto pin and re-install hairpin. See Figure 7.



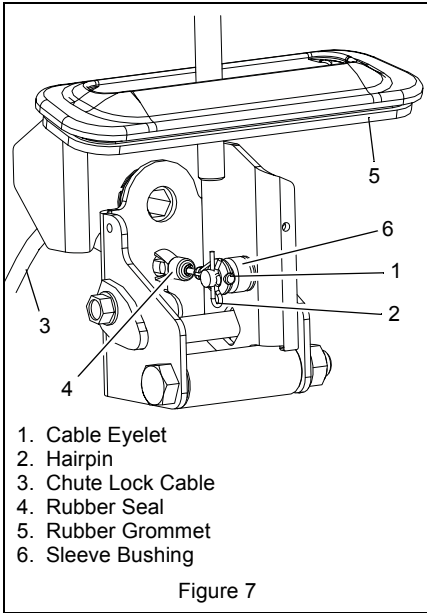


Figure 7

NOTICE: To ensure discharge chute follows full range of travel, control lever must be centered in slot and pointing straight up before installing chute rod.

11. Insert chute rod end without ears into control panel and slide into control lever until opposite end of rod clears chute gear assembly. See Figure 8.

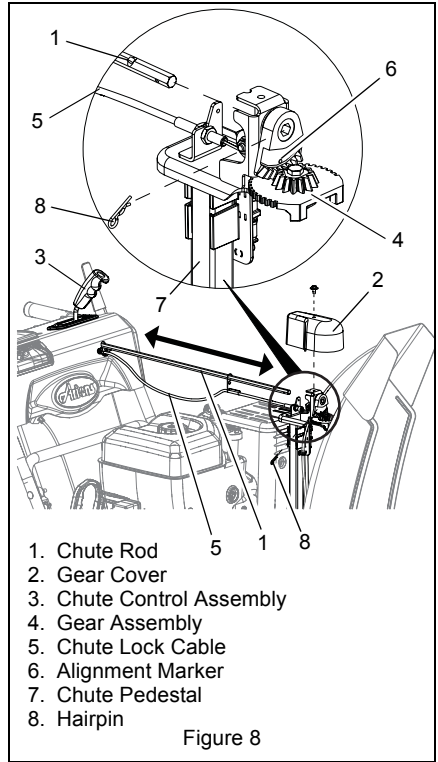


Figure 8

12. Align end of chute rod with hex hole in gear assembly and insert until ears hit gear.
13. Insert hairpin into hole in chute rod near gear assembly.
14. Hook the chute lock cable hanger onto chute rod.

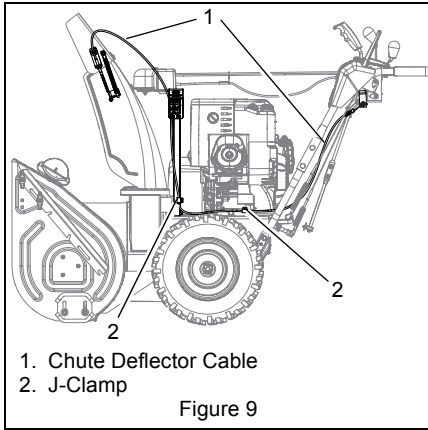
IMPORTANT: The chute lock cable hanger will prevent the cable from contacting the engine or muffler guard. Make sure this cable stays connected while unit is in operation.

15. Make sure chute lock cable end is correctly seated in chute lock arm.
16. Make sure lock arm is fully seated in gear teeth. Adjust lock cable by removing all cable slack and loosening rear nut one full turn and tightening front nut.
17. Reinstall chute gear cover.
18. Orient the chute and pedestal to its most vertical position and tighten pedestal hardware to 20 – 42 N•m.
19. Pull back chute control lever and push it left and right to ensure correct travel of discharge chute.

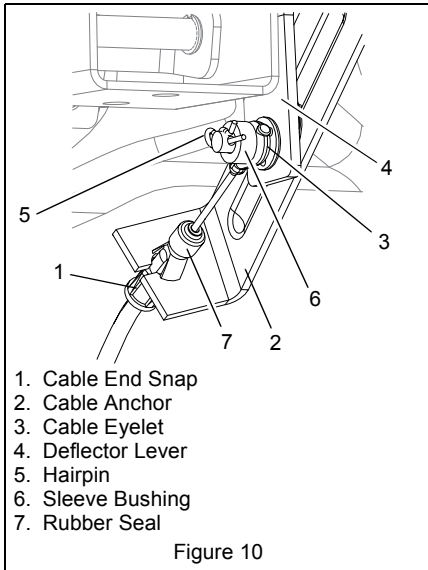
NOTICE: If chute does not stay in position, adjust as directed in *Discharge Chute Control* on page 31, or repair before operation.

Remote Deflector Control

(Figures 9 and 10)



1. Route deflector cable along the left side of engine, through J-clamp on rear engine bolt, and under lower handlebar.
2. Move rubber seal out of the way and snap cable end into cable anchor under control panel. (Figure 10).
3. Push rubber seal securely over end of cable fitting to prevent water from entering cable.



1. Cable End Snap
2. Cable Anchor
3. Cable Eyelet
4. Deflector Lever
5. Hairpin
6. Sleeve Bushing
7. Rubber Seal

Figure 10

4. Move chute deflector lever all the way back and connect deflector cable eyelet to deflector lever under control panel. Secure connection with hairpin.
5. Make sure deflector cable routing appears as shown in figures 9 and 10.
6. Move lever to check deflector travel. If necessary, adjust nut on cable end attached to chute deflector to obtain full range of travel (see *Remote Deflector Control* on page 30).

Check Function of Dual Handle Interlock

Without the engine running, press down (engage) both clutch levers. Release attachment clutch lever. Attachment clutch should remain engaged until traction clutch lever is released, then both clutches *must* disengage. If they do not, contact your Dealer for repairs.

Check Tire Pressure

(926326, 329, 517)

Check tire pressure and adjust to the pressure listed on tire sidewall.



CAUTION: Avoid injury! Explosive separation of tire and rim parts is possible when they are serviced incorrectly:

- Do not attempt to mount a tire without the proper equipment and experience to perform the job.
- Do not inflate the tires above the recommended pressure.
- Do not weld or heat a wheel and tire assembly. Heat can cause an increase in air pressure resulting in an explosion. Welding can structurally weaken or deform the wheel.
- Do not stand in front or over the tire assembly when inflating. Use a clip-on chuck and extension hose long enough to allow you to stand to one side.

Check Track Tension

(926325, 514)

Check tracking of unit and tension of tracks (see *Track Tension Adjustment* on page 35).

Check Auger Gearcase Oil

Check oil level in auger gearcase (see *Check Auger Gearcase* on page 26).

Check Engine Crankcase Oil

IMPORTANT: The engine may be shipped with oil in crankcase. Refer to Engine Manual for detailed instructions.

Fill Fuel Tank

Fill fuel tank. DO NOT OVERFILL! See *FILLING FUEL TANK* on page 21.

Setting Neutral Position

Set neutral position of speed selector. See *Speed Selector Adjustment* on page 31.

Check Function of all Controls

Ensure unit runs and performs properly. Refer to *OPERATION* on page 17.

Run-in Attachment Belt

1. Start unit in a well-ventilated area according to *Starting and Shut Off* on page 22.
2. Engage attachment clutch lever and run attachment for about 15 minutes.
3. Stop unit, wait for all moving parts to stop, and remove spark plug wire.
4. Adjust clutch idler according to *Attachment Clutch/Brake Adjustment* on page 32.
5. Adjust belt finger, if necessary. See *Check Belt Finger Clearance* on page 33.

CONTROLS AND FEATURES

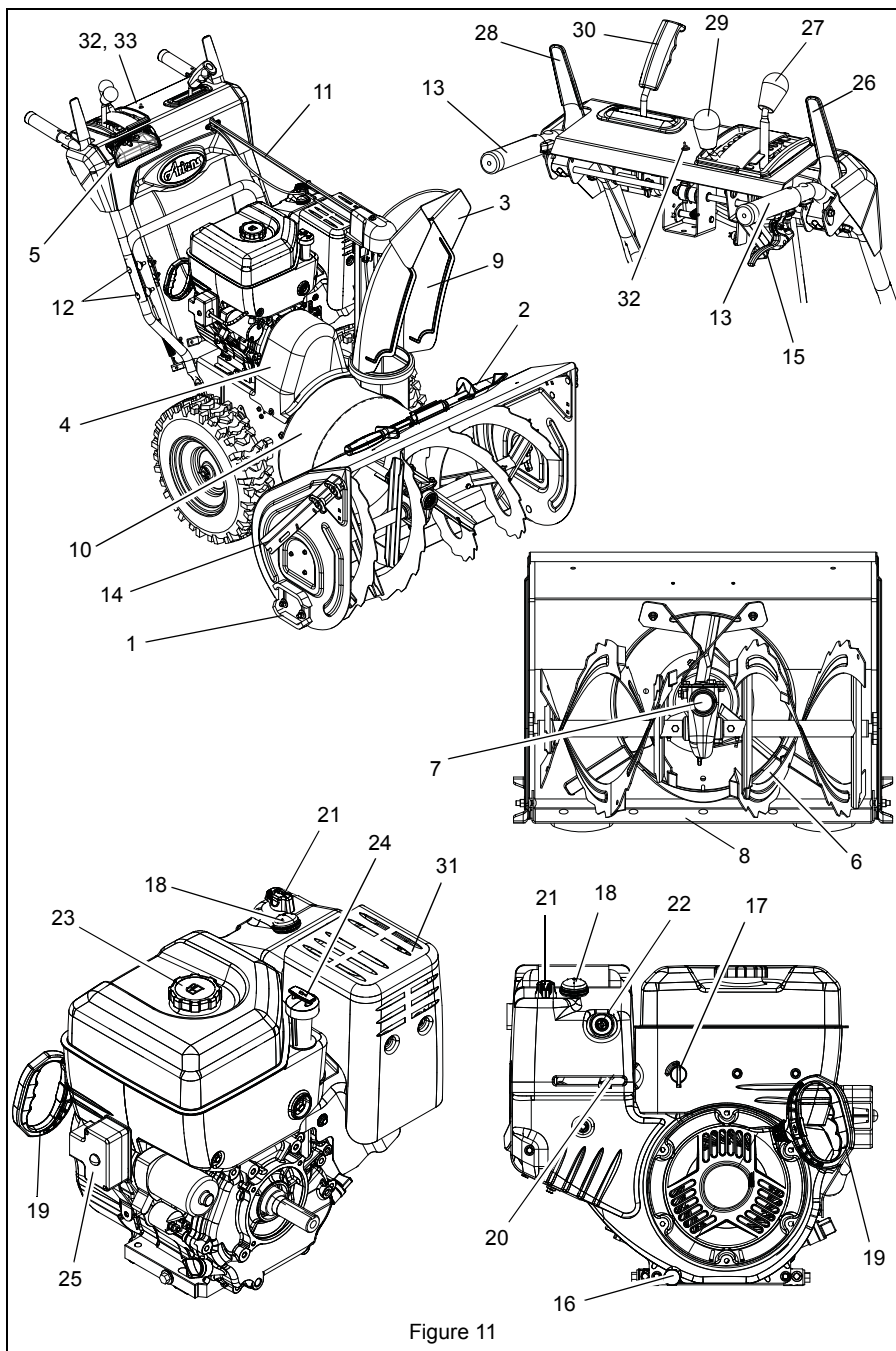


Figure 11

1. Skid Shoes
2. Clean-Out Tool
3. Remote Discharge Chute Deflector
4. Belt Cover
5. Headlight
6. Auger
7. Auger Gearcase
8. Scraper Blade
9. Discharge Chute
10. Impeller
11. Chute Rod
12. Handlebar Hardware
13. Heated Hand Grips
14. Drift Cutters
15. Height Adjuster Trigger (926325, 514)
16. Oil Drain
17. Fuel Shut-Off Valve
18. Primer Bulb
19. Recoil Starter Handle
20. Throttle
21. Choke Control Knob
22. Ignition Key
23. Fuel Tank and Cap
24. Oil Fill/Dipstick
25. Electric Starter
26. Attachment Clutch Lever
27. Speed Selector
28. Traction Drive Clutch Lever
29. Deflector Remote Control
30. Chute Control
31. Muffler Guard
32. Heated Hand Grips Switch
33. Electric Start 12V Key Start (926514, 517)

OPERATION



WARNING: AVOID INJURY. Read and understand the entire *Safety* section before proceeding.



WARNING: To avoid injury to hands and feet, always disengage clutches, shut off engine, and wait for all movement to stop before unclogging or working on snow thrower.

Keep hands and feet away from auger and impeller.

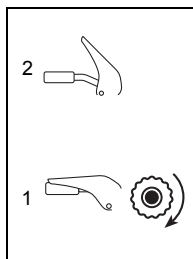
CONTROLS AND FEATURES

See *CONTROLS and FEATURES* on pages 16 and 17 for all Controls and Features locations.

Dual Handle Interlock

When Attachment Clutch and then Traction Drive Clutch are engaged, the Attachment Clutch will remain engaged (lever down) if released. To stop attachment, release Traction Drive Clutch and both clutches will disengage.

Traction Drive Clutch – Left Hand Lever

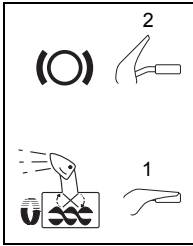


Squeeze the Traction Drive Clutch Lever against the Handlebar (1) to engage wheel drive for propelling unit. Forward speed will vary according to snow depth and moisture content.

Release lever (2) to stop movement.

NOTICE: When traveling to or from the area to be cleared, press down on the handlebars enough to raise the front of the unit slightly off the surface. Engage the traction drive clutch without engaging the attachment drive clutch.

Attachment Clutch – Right Hand Lever



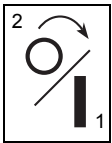
Squeeze Attachment Clutch Lever against handlebar (1) to engage attachment. Release both clutch levers (2) to disengage power and apply brake to attachment.

IMPORTANT: If the belt squeals when the attachment clutch lever

is engaged, the impeller may be frozen in the auger housing. Immediately release the attachment clutch lever and move the unit into a heated area to thaw.

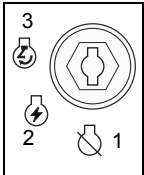
NOTICE: If belt squeals when impeller turns freely, see *Attachment Clutch/Brake Adjustment* on page 32.

Ignition Switch (220V start) (926325, 326, 329)



Operate the ignition switch with the removable key. To start the engine, turn the key to Start (1). To stop the engine, turn the key to Off (2).

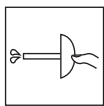
Ignition Switch (12V start on dash panel) (926514, 517)



The ignition switch is operated by a removable key. It has three positions:

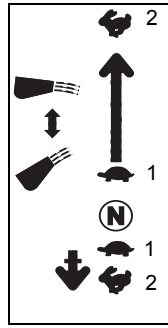
1. Stop
2. Run
3. Start

Primer Bulb



Pushing the primer bulb in adds fuel for easier engine start. Refer to *Starting and Shut Off* on page 22.

Speed Selector



Position the Speed Selector in the appropriate position to control forward and reverse travel.

Forward:

(2) Fastest

(1) Slowest

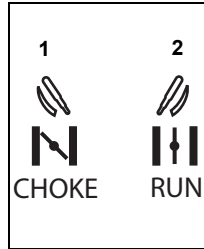
Neutral

Reverse:

(1) Slowest

(2) Fastest

Choke Control Knob

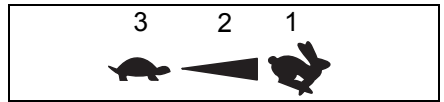


1. Choke Closed position: chokes off air to engine for easier start.

2. Choke Open position: allows for normal operation.

IMPORTANT: Gradually open choke after engine starts.

Throttle



The throttle controls the engine speed. To increase or decrease the engine speed, adjust to:

1. Fast
2. Part-Throttle
3. Slow

Electric Starter

The electric starter will start a properly choked and cranked engine when the key is turned (12V) or starter button (220V) is pushed. Refer to *Starting and Shut Off* on page 22.

Recoil Starter Handle

When pulled, recoil starter handle will turn engine over.

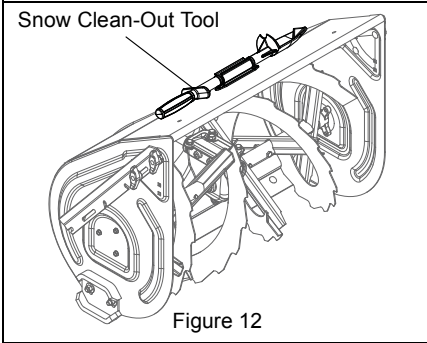
IMPORTANT: DO NOT let recoil starter handle snap back against starter.

Snow Clean-Out Tool

(Figure 12)



WARNING: Hand contact with the rotating impeller is the most common cause of injury associated with snow throwers. Never use your hand to clean out the discharge chute.



To clear the discharge chute:

1. Shut off the engine.
2. Wait 10 seconds and make sure impeller blades have stopped rotating.
3. Remove the snow clean-out tool from the auger housing and use it to remove the clog from the discharge chute.
4. Replace the snow clean-out tool on the auger housing.

Remote Deflector Control

Place deflector into position before operation. DO NOT throw snow any higher than necessary.

Place deflector remote in a forward notch to throw snow lower. Place deflector remote in a rearward notch to throw snow higher.

Discharge Chute

Discharge chute rotates 200°.

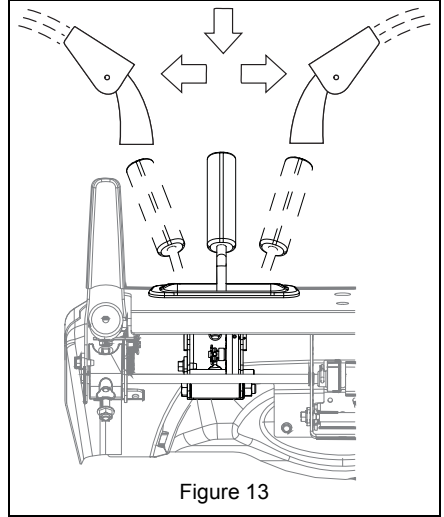
ALWAYS position discharge chute in safe direction and angle, away from operator and bystanders, before starting engine.

Quick-Turn Chute Control

(Figure 13)

IMPORTANT: If chute does not stay in set position, adjust as directed in *Discharge Chute Control* on page 31, or repair before operation.

Pull lever back to unlock discharge chute and push left or right to rotate discharge chute. Once chute is in desired position, move lever forward to lock chute in place.



IMPORTANT: DO NOT force frozen chute controls. If frozen, take to warm place until controls are free.

Moving The Unit With the Engine Off

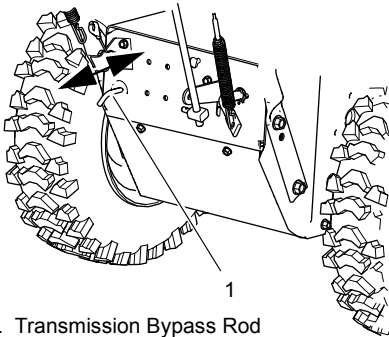
(Figure 14)

If the unit needs to be moved with the engine off, it can be pushed for short distances with the transmission bypassed.

IMPORTANT: DO NOT tow the machine. TRANSMISSION DAMAGE WILL OCCUR.

To bypass the transmission, pull the bypass rod inward (Figure 14). Push bypass rod in before starting or operating engine.

Pull bypass rod out to move unit short distances with engine stopped. Push bypass rod in before starting or operating engine.

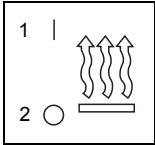


1. Transmission Bypass Rod

Figure 14

IMPORTANT: Before starting or operating ensure that the bypass rod is pushed fully into the machine. Failure to close the bypass rod may result in damage to the transmission.

Heated Hand Grips



Turn the heated handles switch to the ON (1) position to activate. Turn the switch to the OFF (2) position to deactivate.

Scraper Blade

The scraper blade allows better contact with the surface being cleared. It also prevents damage to the housing from normal usage.

IMPORTANT: DO NOT allow scraper blade to wear too far or auger/impeller housing will become damaged.

Skid Shoes

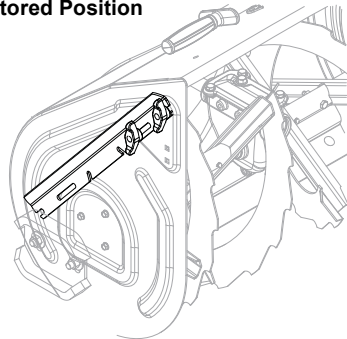
The skid shoes control the distance between the scraper blade and the ground. Adjust skid shoes equally to keep blade level with the ground. Refer to *Pre-Start* on page 22 for recommended settings.

Drift Cutters

(Figure 15)

Drift cutters break up snow drifts that are taller than the auger housing and direct the snow into the auger. Store the drift cutters on the auger housing when not in use. Install them as shown in Figure 15 so they are taller than the snow to be cleared.

Stored Position



Operating Position

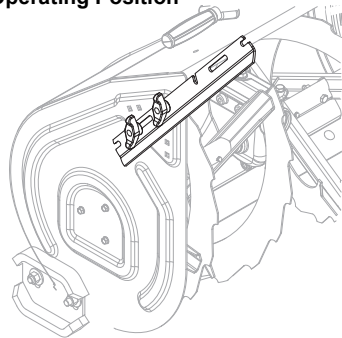


Figure 15

Track Angle

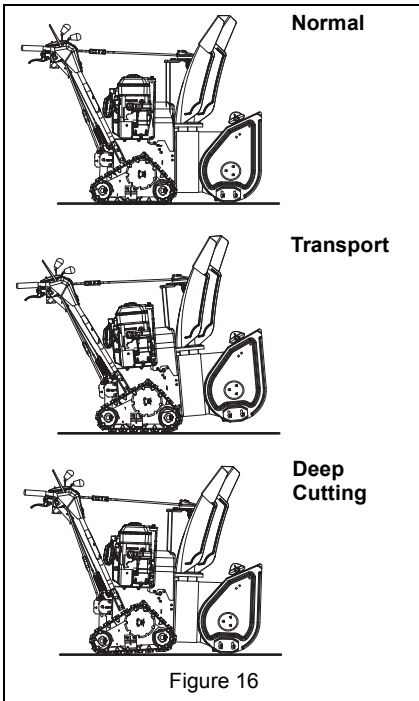
(926325, 514)

(Figure 16)

The track angle can be adjusted to position the auger housing for level clearing, deep cutting or transport.

Squeeze the handlebar trigger and press down on the handlebars to move the auger housing into an up position. Release the trigger to hold the position.

Squeeze the handlebar trigger and lift up on the handlebars to move the auger housing into a down position. Release the trigger to hold the position.



FILLING FUEL TANK



WARNING: AVOID INJURY. Read and understand the entire *Safety* section before proceeding.

GASOLINE

IMPORTANT: ALWAYS use gasoline that meets the following guidelines:

- Clean, fresh gasoline.
- A minimum of 87 octane/87 AKI (91 RON). High altitude use may require a different octane. Consult your engine manual.
- Gasoline with up to 10% ethanol (gasohol) or up to 10% MTBE (methyl tertiary butyl ether) is acceptable.
- Use of any gasoline other than those approved above will void the engine warranty. If the pumps are not marked for the content of alcohol or ethers, check ethanol and MTBE levels with the fuel supplier.
- Do not modify the fuel system to use different fuels.
- Never mix oil and gasoline.

NOTICE: All gasoline is not the same. If the engine experiences starting or performance problems after using a new gasoline, switch to a different fuel provider or fuel brand.

IMPORTANT: Excessively oxygenated or reformulated fuels (fuels blended with alcohols or ethers) can damage the fuel system or cause performance problems. If any undesirable operating problems occur, use a gasoline with a lower percentage of alcohol or ether.

Add Fuel Stabilizer to Extend Fuel Storage Life

IMPORTANT: Fuel stabilizer is recommended for extended storage (see *Fuel System* on page 36).

Add Fuel to Fuel Tank

1. ALWAYS place unit in open or well-ventilated area.
2. Stop engine and allow to cool.
3. Clean Fuel Cap and surrounding area to prevent dirt from entering Fuel Tank.
4. Remove fuel cap.

IMPORTANT: Refer to Engine Manual for correct type and grade of fuel.

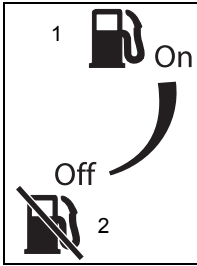
5. Fill fuel tank to the bottom of filler neck. See *SPECIFICATIONS* on page 39 for fuel tank capacity.

IMPORTANT: DO NOT OVERFILL! This equipment and/or its engine may include evaporative emissions control system components, required to meet EPA and/or CARB regulations, that will only function properly when the fuel tank has been filled to the recommended level. Overfilling may cause permanent damage to evaporative emissions control system components. Filling to the recommended level ensures a vapor gap required to allow for fuel expansion. Pay close attention while filling the fuel tank to ensure that the recommended fuel level inside the tank is not exceeded. Use a portable gasoline container with an appropriately sized dispensing spout when filling the tank. Do not use a funnel or other device that obstructs the view of the tank filling process.

6. Replace fuel cap and tighten.
7. ALWAYS clean up spilled fuel.

Fuel Shut-Off Valve

IMPORTANT: The fuel shut-off valve **MUST** be in the closed position prior to transporting the unit.



The fuel shut-off valve has two positions:

Open (1): Use this position to run the unit.
Closed (2): Use this position to service, transport, or store the unit.

PRE-START

1. Frozen Impeller

IMPORTANT: Before starting engine, check impeller to be sure it is not frozen.

To check impeller:

1. With ignition key switch in "Stop" position, squeeze Attachment Clutch Lever to Engaged position.
2. Pull Recoil Starter Handle.
3. If Impeller is frozen, (cannot pull Recoil Starter Handle) move unit to a heated area and thaw to prevent possible damage.

2. Check Function of Clutches

If clutches do not engage or disengage properly, adjust or repair before operation. See *Attachment Clutch/Brake Adjustment* on page 32 and *Traction Drive Clutch Adjustment* on page 34.

3. Check Dual Handle Interlock

Without the engine running, press down (engage) both clutch levers. Release attachment clutch lever. Attachment clutch should remain engaged until traction clutch lever is released, then both clutches *must* disengage.

If clutches do not engage or disengage properly, adjust or repair before operation. See *Attachment Clutch/Brake Adjustment* on page 32 and *Traction Drive Clutch Adjustment* on page 34.

4. Check Skid Shoes

Check and adjust Skid Shoes (See *Skid Shoes* on page 29). Allow 3 mm between scraper blade and hard, smooth surface(s). Allow 22 mm between scraper blade and uneven or gravel surfaces.

5. Check Engine Fuel & Crankcase Oil



WARNING: AVOID INJURY. Read and understand the entire *Safety* section before proceeding.

Check and add fuel if required. Check that the engine crankcase oil is full using dipstick. Refer to Engine Manual for detailed instructions.

TO STOP IN AN EMERGENCY

Immediately release both control levers to stop unit in an emergency. Stop engine, remove key and wait for all rotating parts to stop before leaving operator's position.

STARTING AND SHUT OFF



WARNING: FAILURE TO FOLLOW INSTRUCTIONS could result in personal injury and/or damage to unit. DO NOT attempt to start your unit at this time. Read entire Owner/Operator Manual and the Engine Manual first.

IMPORTANT: Allow unit and engine to adjust to the outdoor temperature before clearing snow. Before shut-off, run the attachment a few minutes to prevent impeller freeze-up.

NOTICE: Try out each control without the engine running to see how it works and what it does.

Manual Start

1. Turn discharge chute straight ahead.
2. Make sure that the attachment clutch and traction drive clutch levers are fully disengaged.
3. Push Primer Bulb 2 or 3 times for cold engine.

NOTICE: When temperature is below -26° C additional priming may be needed.

4. If engine is cold, apply choke. See Engine Manual for detailed instructions.

NOTICE: A warm engine requires less choking than a cold engine.

5. Set throttle to proper starting position.
6. Insert key into ignition switch and turn to "Run" position.
7. Grasp starter handle and pull rope out slowly until it pulls harder. Let rope rewind slowly.

8. Pull rope with a rapid continuous full arm stroke. Let rope rewind slowly.

IMPORTANT: DO NOT let Starter Handle snap against Starter.

9. Repeat steps 7 and 8 until engine starts. (If engine does not start, refer to *TROUBLESHOOTING* on page 38.)
10. Adjust choke as needed.
11. Set throttle to Part Throttle or Slow position for adaptation to outside temperature or travel. Set throttle to Fast position for normal operation.

Electric Start (220V) (926325, 326, 329)

1. Connect extension cord to starter.

IMPORTANT: Prevent damage to unit. Know voltage of your starter and only use matching outlets.

2. Plug extension cord into 220V grounded outlet.

IMPORTANT: Use an extension cord that is capable of handling current requirements. See your Ariens dealer for recommended extension cord.

3. Turn discharge chute straight ahead.
4. Make sure that the attachment clutch and traction drive clutch levers are fully disengaged.
5. Push Primer Bulb 2 or 3 times for cold engine.

NOTICE: When temperature is below -26° C additional priming may be needed.

6. If engine is cold, apply choke. See Engine Manual for detailed instructions.

NOTICE: A warm engine requires less choking than a cold engine.

7. Set throttle to proper starting position.
8. Insert key into ignition switch and turn to "Run" position.
9. Press starter button on engine until engine starts.

IMPORTANT: DO NOT operate starter more than 15 seconds per minute, as overheating and damage can occur. (If engine does not start, refer to *TROUBLESHOOTING* on page 38.)

10. Adjust choke as needed.
11. Disconnect power cord from outlet, then starter.
12. Set throttle to Part Throttle or Slow position for adaptation to outside temperature or travel. Set throttle to Fast position for normal operation.

Electric Start (12V) (926514, 517)

1. Turn discharge chute straight ahead.
2. Make sure that the traction clutch and attachment drive clutch levers are fully disengaged.
3. Push Primer Bulb 2 or 3 times for cold engine.

NOTICE: When temperature is below -26° C additional priming may be needed.

4. If engine is cold, apply choke. See Engine Manual for detailed instructions.

NOTICE: A warm engine requires less choking than a cold engine.

5. Set throttle to proper starting position.
6. Turn ignition key to the START position until engine starts and release into the RUN position.

IMPORTANT: DO NOT operate starter more than 15 seconds per minute, as overheating and damage can occur. If engine will not start, see *TROUBLESHOOTING* on page 38 or refer to Engine Manual.

7. Adjust choke as needed.
8. Set throttle to Part Throttle or Slow position for travel or adaptation to outside temperature. Once achieved, set throttle to Fast position for normal operation.

Shut Off

1. Release Traction Drive Clutch Lever and allow unit to come to a complete stop.
2. Run Impeller a few minutes after use to prevent freeze-up of Impeller.
3. Release Attachment Clutch Lever and wait for all moving parts to come to a complete stop.
4. Move Throttle to the "Slow" position.
5. Turn off engine shut-off switch ("OFF").
6. Remove key.

SNOW REMOVAL

IMPORTANT: Allow unit and engine to adjust to the outdoor temperature before clearing snow.

NOTICE: Attachment clutch should be engaged before traction drive clutch when throwing snow.

1. Select Speed Control position and direction.
2. Engage Attachment Clutch – Right Hand Lever.
3. Engage Traction Drive Clutch – Left Hand Lever.

IMPORTANT: DO NOT overload unit capacity by attempting to clear snow at too fast a rate. Use slow speed to clear deep or hard packed snow.

Tips for Operation

Snow is best removed as soon as possible after snow fall.

To clear an area, run unit in an overlapping series of paths. For large areas, start in the middle and throw snow to each side, so snow is not cleared more than once.

ALWAYS direct snow away from area to be cleared and with direction of the wind.

TRAVELING

To travel from one work area to another:

1. Set Throttle to Slow or Part-Throttle position.
2. **926326, 329, 517:** Press down on handlebars enough to raise front of unit slightly off surface.
926325, 514: Place the unit in the transport position (see *Track Angle* on page 20).
3. Engage traction drive clutch without engaging attachment drive clutch.

TRANSPORT

ALWAYS shut off engine, remove key, and close fuel shut-off valve when transporting unit on a truck or trailer.

Use extra care when loading or unloading unit onto trailer or truck.

Secure unit chassis to transport vehicle.

NEVER secure from rods or linkages that could be damaged.

DO NOT transport machine while engine is running.

MAINTENANCE

Ariens Dealers will provide any service or adjustments which may be required to keep your unit operating at peak efficiency. Should engine service be required, contact an Ariens dealer or an authorized engine manufacturer's service center.



WARNING: AVOID INJURY. Read and understand the entire *Safety* section before proceeding.

SERVICE POSITION

(Figure 17)



WARNING: Before tipping unit up onto housing, remove fuel so no spills will occur. Ensure unit is secure and will not tip over during maintenance.

1. Shut off engine, remove key, disconnect spark plug wire and allow unit to cool completely.
2. Close fuel shut-off valve (see *Fuel Shut-Off Valve* on page 22).
3. Drain fuel tank and fuel system (see Engine Manual for complete instructions).
4. Place unit on a flat level surface. Tip unit forward onto front of auger housing for service.

IMPORTANT: Ensure unit is secure and will not tip over. Strap and clamp onto bench if needed.

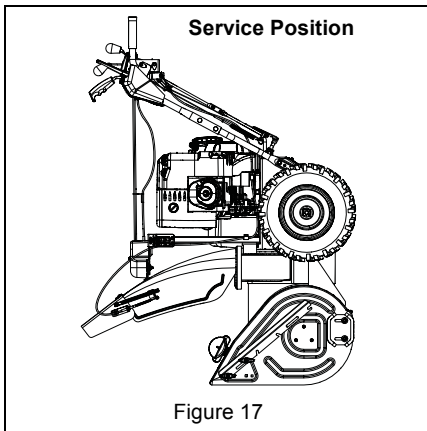


Figure 17

MAINTENANCE SCHEDULE

The chart below shows the recommended maintenance schedule that should be performed on a regular basis. More frequent service may be required.

MAINTENANCE SCHEDULE				
Service Performed	Each Use	Every 5 hrs.	Every 25 hrs.	Yearly
Check Dual Handle Interlock	•			
Check Fasteners	•			
Check Clutch Operation	•			
Clean Engine	•			
Check Engine Oil	•	•		
Check Clutch Cable Adjustment		*	•	
Change Engine Oil **				
Check Tire Pressure			•	
Check Auger Gearcase			•	•
General Lubrication			•	•
Battery Maintenance (926514, 517)			•	•

* After first five hours of operations.
 ** Refer to Engine Manual for detailed instructions.

CHECK DUAL HANDLE INTERLOCK

Without the engine running, press down (engage) both clutch levers. Release attachment clutch lever. Attachment clutch should remain engaged until traction clutch lever is released, then both clutches *must* disengage.

CHECK FASTENERS

Make sure all hardware is tightened properly.

CHECK CLUTCH OPERATION

Auger / impeller must stop within 5 seconds when attachment clutch lever is released.

Wheels must stop quickly when traction drive clutch lever is released.

If clutches do not engage or disengage properly, adjust or repair before operation. See *Attachment Clutch/Brake Adjustment* on page 32 and *Traction Drive Clutch Adjustment* on page 34.

CHECK CLUTCH CABLE ADJUSTMENT

Make sure the attachment clutch and traction drive clutch are adjusted to the range specified in *Attachment Clutch/Brake Adjustment* on page 32 and *Traction Drive Clutch Adjustment* on page 34.

CLEAN ENGINE

Refer to Engine Manual for detailed instructions.

CHECK ENGINE OIL

The engine crankcase oil should be checked every 5 hours of operation. Oil level **MUST** be maintained in safe operating range on dipstick at all times or engine damage will result (See Engine Manual).

Park unit on a level surface. Refer to Engine Manual for detailed instructions.

CHANGE ENGINE OIL

Refer to Engine Manual for detailed instructions.

NOTICE: Run engine just prior to changing oil, warm oil will flow more freely and carry away more contaminants.

CHECK TIRE PRESSURE

(926326, 329, 517)

Keep tires at pressure listed on the tire sidewall. See *Check Tire Pressure* on page 14.

CHECK AUGER GEARCASE

(Figure 18)

IMPORTANT: Proper oil level must be maintained.

Gear cases are filled to the correct level at the factory. Unless there is evidence of leakage, no additional lubricant should be required. Check oil level each season or every 25 hours of operation.

IMPORTANT: Be sure unit is resting on a level surface before checking lubricant levels.

To ensure adequate lubricant level:

1. Remove filler plug and seal washer (Figure 18). Lubricant must be 6,05 cm – 6,68 cm from the flat surface of the gear case cover.

IMPORTANT: DO NOT remove the gear case cover.

2. Check oil level with suitable dipstick device. Add lubricant if required.

NOTICE: Inspect seal washer for wear or rubber deterioration and replace as needed.

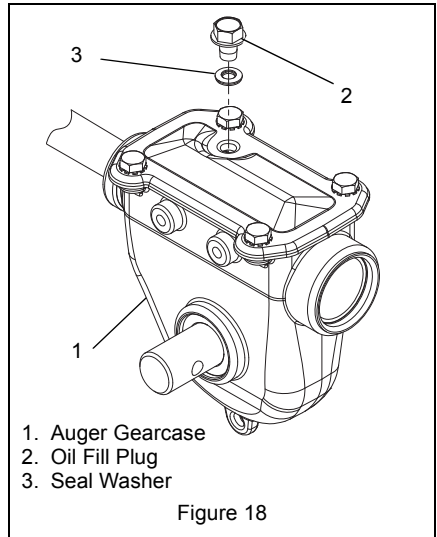
IMPORTANT: Use only Ariens L3 synthetic severe duty gear lube (Part Number 00068800). Use of other lubricants will void unit warranty.

3. Reinstall filler screw and seal washer to 9 N•m.

IMPORTANT: DO NOT OVER-TORQUE!

IMPORTANT: Be sure to install seal washer with rubber side down (Figure 18).

IMPORTANT: Improper torquing, omission of seal washer, or incorrect installation of seal washer will void unit warranty.



GENERAL LUBRICATION

(Figure 19)

IMPORTANT: Wipe each fitting clean before and after lubrication.

IMPORTANT: DO NOT allow grease or oil to get on belts.

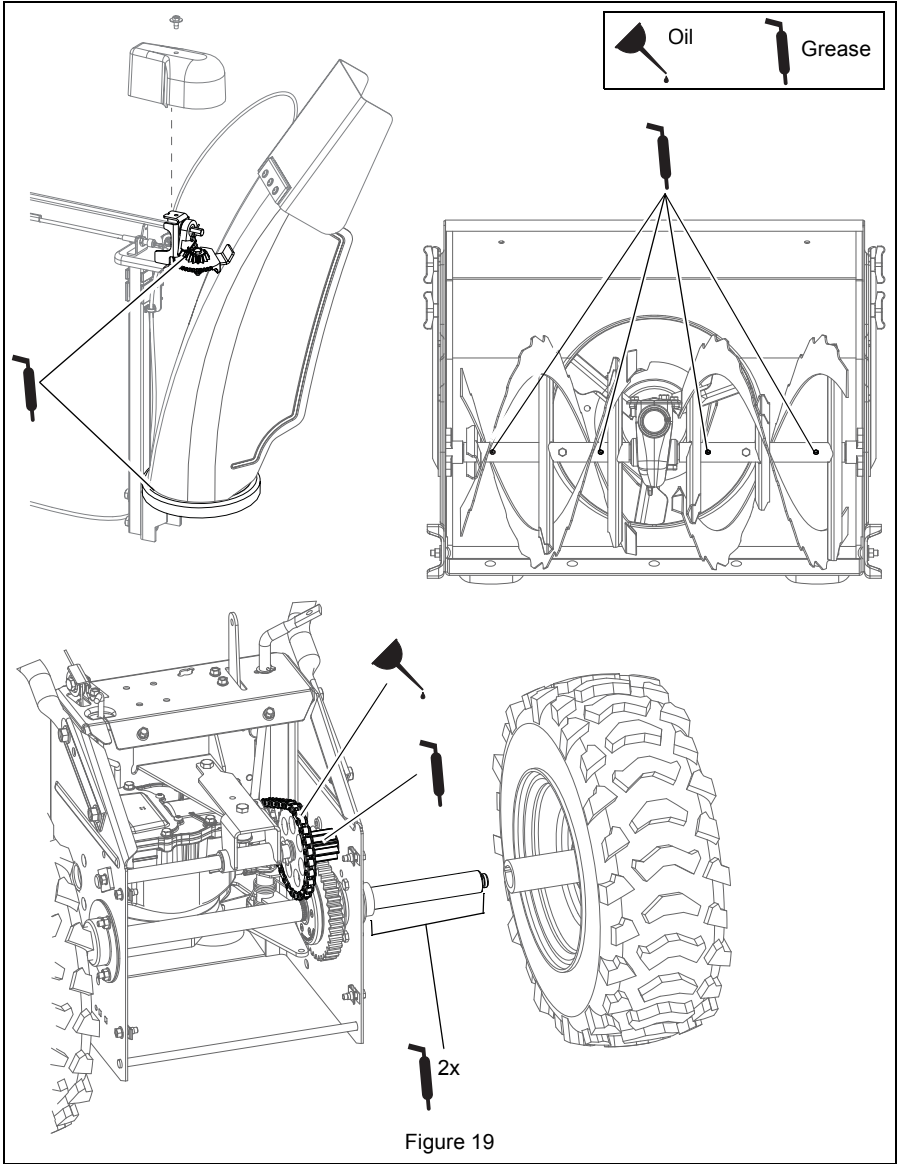
NOTICE: Apply Ariens Hi-Temp Grease or equivalent to the lubrication fittings. See *SERVICE PARTS* on page 37.

Sno-Thro should be lubricated (Figure 19) at beginning of season or every 25 operating hours.

Auger Shaft

To grease auger shaft, remove shear bolt nuts and shear bolts per instructions in *Shear Bolts* on page 29. Apply grease at the grease zerks and then turn the auger assemblies on the auger shaft. Replace shear bolts.

Apply oil to auger shaft end bushings.



Clean Battery (926514, 517)



WARNING: AVOID INJURY. Read and understand the entire *Safety* section before proceeding.

IMPORTANT: Battery is maintenance-free. Do not tamper with or attempt to open battery. See *Charging* on page 36 for charging procedures.

Terminals

Keep battery and its terminals clean.

IMPORTANT: Remove battery from unit before cleaning.

Remove corrosion from battery terminals and cable connections with wire brush, then wash with a weak baking soda solution.

After cleaning, apply a thin coat of grease or petroleum jelly to terminals and cable ends to retard corrosion.

Replace Fuse (926514, 517)

1. Remove the two wing knobs, flat washers and cover from the battery. (Figure 20).

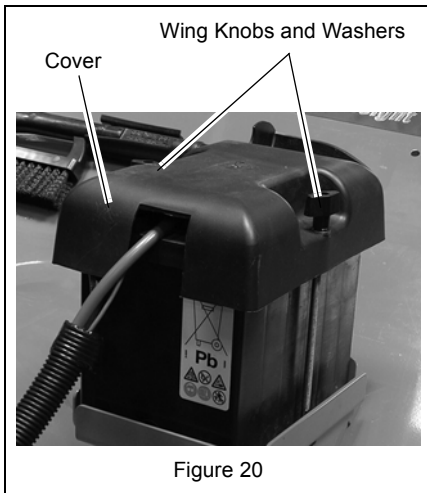


Figure 20

2. Locate the fuse holder on the wiring harness and remove the fuse (Figure 21).

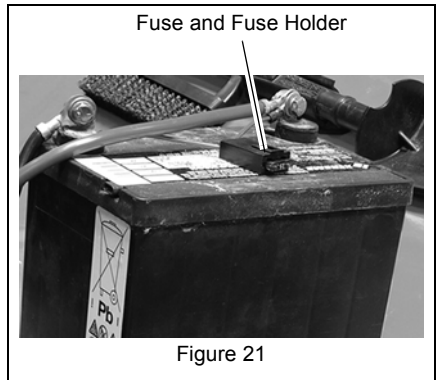


Figure 21

3. Insert a new fuse of the same amperating and type.
4. Replace the cover and secure with hardware removed in step 1.

SERVICE AND ADJUSTMENTS



WARNING: AVOID INJURY. Read and understand the entire *Safety* section before proceeding.

SCRAPER BLADE

IMPORTANT: Damage to auger/impeller housing will result if blade wears down too far.

Scraper blade is adjustable to compensate for wear.

To adjust scraper blade:

1. Tip unit back onto handlebar, support housing and loosen nuts retaining blade.
2. Reposition scraper blade and tighten lock nuts.
3. Adjust skid shoes.

IMPORTANT: ALWAYS adjust skid shoes after adjusting scraper blade to prevent premature wear to scraper blade or damage to housing.

SKID SHOES

(Figure 22)

Skid Shoes should be adjusted as conditions require.

1. Position unit on a hard, flat, smooth level surface.
2. Adjust skid shoes by inserting a spacer of desired thickness under center of scraper blade, loosen skid shoe hardware, slide skid shoes to flat surface. Allow 3 mm between scraper blade and hard smooth surfaces. Allow 22 mm between scraper blade and uneven or gravel surfaces. Retighten hardware.

NOTICE: Keep housing level by adjusting skid shoes equally.

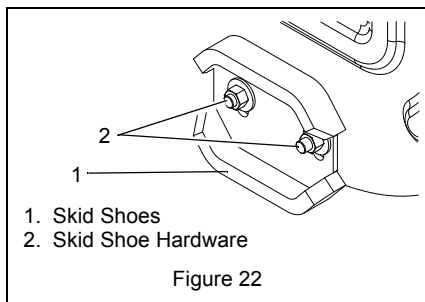


Figure 22

SHEAR BOLTS

(Figure 23)

IMPORTANT: Use only Ariens OEM shear bolts for replacement. Use of any other type of shear bolt may result in severe damage to unit. See *SERVICE PARTS* on page 37.

Occasionally a foreign object may enter the auger/impeller housing and jam the auger, breaking shear bolts which secure the auger to the shaft. This allows auger to turn freely on the shaft which may help prevent damage to gear case.

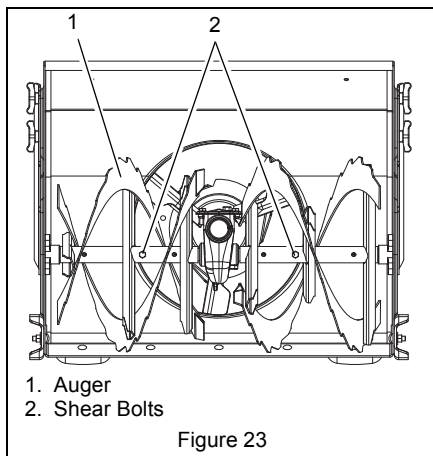


Figure 23

For Replacement:

1. Align shear bolt hole in auger with shear bolt hole in the shaft.
2. Insert shear bolt through hole (if shear bolt was broken this will force remaining part from shaft).
3. Secure shear bolt with nut.

NOTICE: DO NOT overtighten the shear bolt. Tighten shear bolt to 7,9 – 16,5 N•m.

HANDLEBAR HEIGHT

(Figure 24)



CAUTION: AVOID INJURY. Adjust the attachment clutch, speed selector and traction clutch after changing the handlebar height. See *Attachment Clutch/Brake Adjustment* on page 32, *Traction Drive Clutch Adjustment* on page 34 and *Speed Selector Adjustment* on page 31.

To raise or lower the handlebar:

1. Place unit in service position (see *Service Position* on page 25).
2. Remove bottom cover.
3. Remove top mounting bolts from the handlebars and adjust the handlebar up or down as needed until the handlebar mounting holes align with holes in unit frame.
4. Secure handlebar to frame with hardware removed in step 3 using the different hardware locations shown in Figure 24.

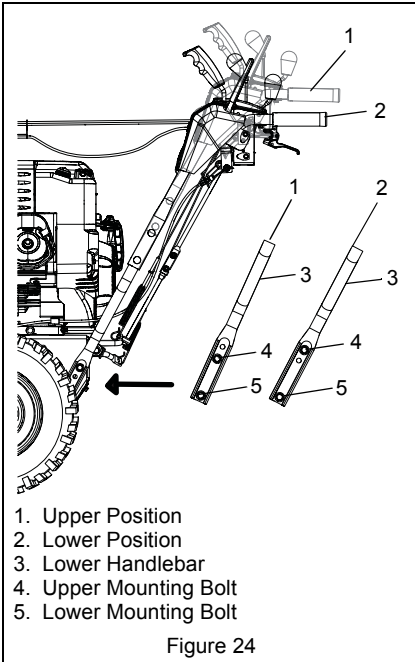


Figure 24

5. Check and adjust speed selector. See *Speed Selector Adjustment* on page 31.
6. Check and adjust auger and traction clutch cables. See *Attachment Clutch/Brake Adjustment* on page 32 and *Traction Drive Clutch Adjustment* on page 34.
7. Re-install bottom cover.

REMOTE DEFLECTOR CONTROL

(Figures 25 and 26)

Deflector must stay in selected position while throwing snow.

If deflector does not stay in set position:

1. Tighten nut beneath control panel to increase pressure on deflector control. (Figure 25).

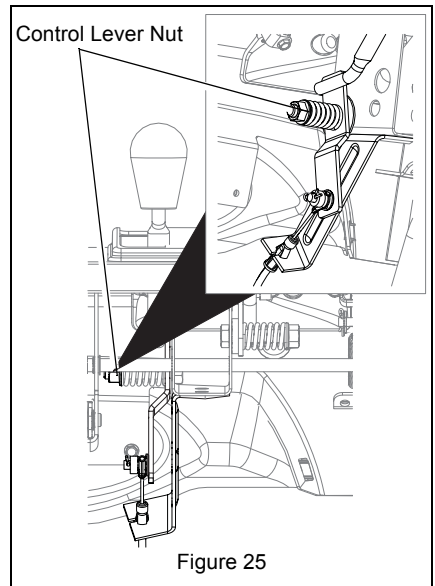


Figure 25

If deflector does not follow full range of travel:

1. Push deflector remote all the way forward.
2. Loosen adjusting nuts on cable support bracket on side of chute deflector. (Figure 26).

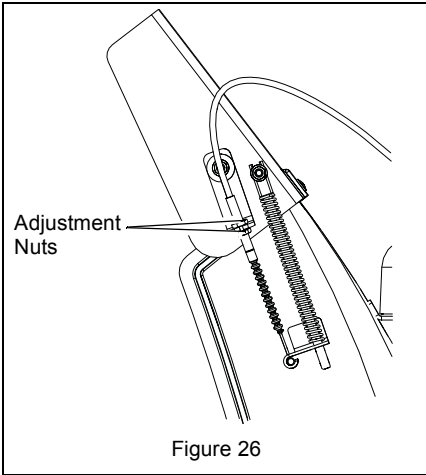


Figure 26

3. a. To adjust the deflector lower:
Slide cable up and tighten top nut.
- b. To adjust deflector higher:
Slide cable down and tighten bottom nut.
4. Check travel and repeat adjustment as necessary.

DISCHARGE CHUTE CONTROL

(Figure 27)

If chute does not stay in position while throwing snow or if chute does not rotate freely, adjust the cable under the gear cover so the chute lock fingers engage or disengage the locking gear.

If chute does not stay in position:

Loosen the cable by loosening the rear adjustment nut, and then tightening the forward adjustment nut against the bracket until the lock arm engages the gear teeth.

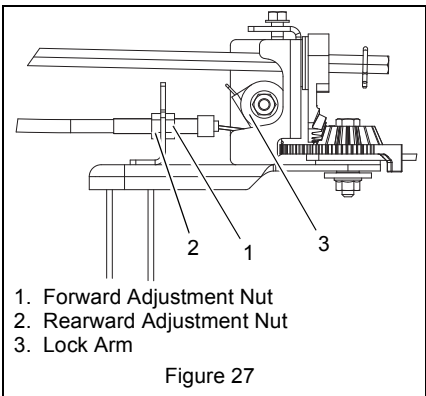


Figure 27

If chute does not rotate freely:

Tighten the cable by loosening the forward adjustment nut, and then tightening the rear adjustment nut against the bracket until all cable slack is removed and lock arm engages teeth. (Figure 27).

SPEED SELECTOR ADJUSTMENT

(Figure 28)

To set neutral position:

1. Place machine on blocks, with the wheels/tracks off of the ground.
2. Disconnect the trunnion pin from the bell crank.
3. Start the engine.
4. Hold down the traction clutch paddle.
5. Move bell crank to the position where the wheels/tracks are not moving.
6. Shut off engine.
7. Move speed control to the neutral position and hold in place.
8. Adjust trunnion pin to a position where it can be re-inserted into the bell crank hole. Without moving the bell crank, reinstall the trunnion pin.
9. Remove blocks from under machine.

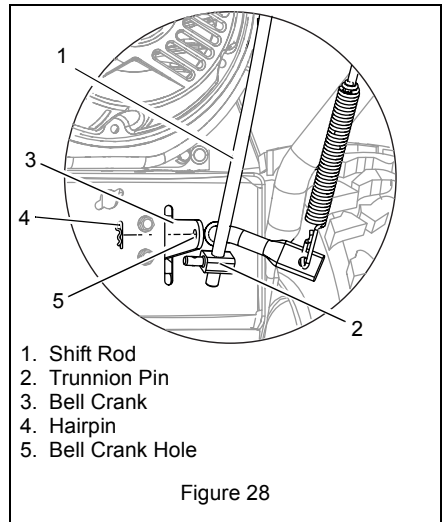


Figure 28

ATTACHMENT CLUTCH/BRAKE ADJUSTMENT



IMPORTANT: IMPROPER ADJUSTMENT could result in unexpected movement of auger and impeller causing death or serious injury. Auger/Impeller must stop within 5 seconds when Attachment Clutch lever is released.

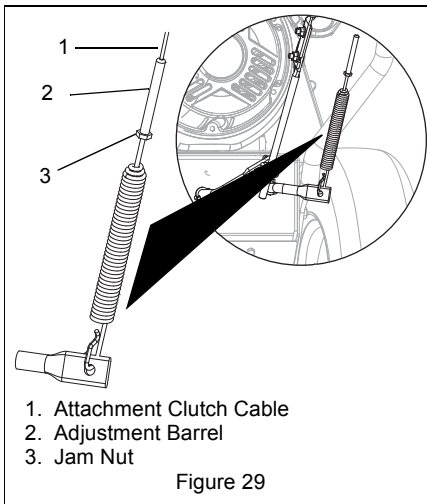
Remove Attachment Cable Slack

(Figure 29 and 30)

1. Shut off engine, remove key, disconnect spark plug wire and allow unit to cool completely.
2. Loosen hardware securing belt cover to unit.

NOTICE: DO NOT completely remove the hardware from unit.

3. Remove belt cover.
4. Loosen jam nut on cable adjustment barrel, and then turn the adjustment barrel down to shorten cable and remove all cable slack (Figure 29).



1. Attachment Clutch Cable
2. Adjustment Barrel
3. Jam Nut

Figure 29

5. With the attachment clutch disengaged, check that the attachment idler arm lightly touches the frame (Figure 30).
6. Tighten jam nut on the adjustment barrel.

With the attachment clutch disengaged, check the attachment idler arm position here. The attachment idler arm should lightly touch the frame.

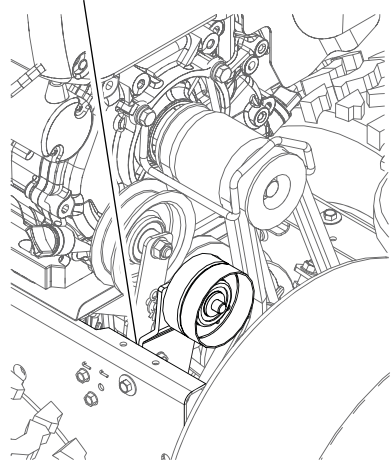


Figure 30

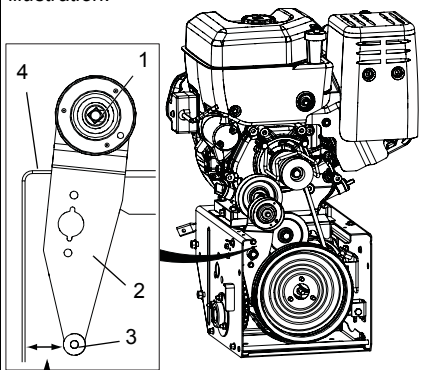
Check Attachment Idler Arm Roller Clearance

(Figure 31)

NOTICE: It will be difficult to check the measurement inside the frame. Use a 12,7 mm minimum spacer as a gauge to check the clearance between the roller and the frame.

1. Place the unit into the service position. Remove the bottom cover.
2. With the clutch lever engaged, check the clearance between the frame and plastic roller on the lower end of the attachment idler arm (Figure 31).
 - If roller is 12,7 – 22,2 mm from frame, no further adjustments are required.
 - If roller is less than 12,7 mm from frame, loosen idler adjustment nut and move idler closer to the belt. Tighten adjustment nut and recheck the roller clearance.
 - If roller is more than 22,2 mm from frame, loosen idler adjustment nut and move idler away from the belt. Tighten adjustment nut and recheck roller clearance.

Some components removed for clarity of illustration.



Roller should be 12,7 – 22,2 mm from the frame when the attachment clutch is engaged.

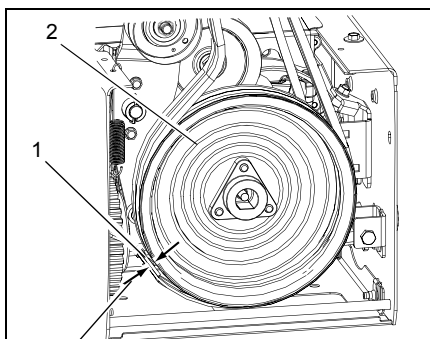
1. Idler Adjustment Nut
2. Attachment Idler Arm
3. Roller
4. Frame

Figure 31

Check Attachment Brake

(Figure 32)

1. With the clutch lever disengaged, brake pad must contact attachment belts. With clutch lever engaged, brake pad must be more than 1,6 mm from belts. If there is more than 1,6 mm gap, go to *Check Belt Finger Clearance* on page 33. If there is less than 1,6 mm gap, go to step 2.



Minimum of 1,6 mm

1. Brake Arm and Pad
2. Attachment Pulley

Figure 32

2. If there is less than 1,6 mm gap between brake pad and belt, loosen idler adjustment nut, and move idler away from belt.
3. Position idler to achieve a 1,6 mm minimum brake pad gap and a 12,7 – 22,2 mm gap between the plastic roller and the frame.

IMPORTANT: If adjustments cannot be brought into specified ranges see your Dealer for repairs.

Check Belt Finger Clearance

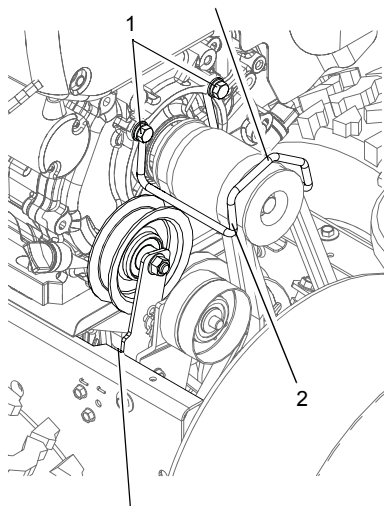
(Figure 33)

1. With clutch lever engaged, the belt finger located opposite the belt idler must be less than 3 mm from belts, but not touching the belts.

To adjust belt finger, loosen the bolts and move the finger to the proper position. Tighten the bolts and recheck the belt finger clearance.

2. Replace the belt cover and tighten hardware.

Check belt finger clearance here. With the attachment clutch engaged, there should be less than 3 mm clearance between the belts and the belt finger. The belt finger should not touch the belts.



With traction clutch disengaged, make sure the traction idler arm lightly touches the frame.

1. Mounting Hardware
2. Belt Finger

Figure 33

TRACTION DRIVE CLUTCH ADJUSTMENT

1. Loosen jam nut on traction cable adjustment barrel. Turn adjustment barrel down to shorten cable and remove all cable slack.
2. With traction clutch disengaged, make sure traction idler arm lightly touches the frame (Figure 33).

ATTACHMENT DRIVE BELTS REPLACEMENT

(Figure 34)

Remove old attachment drive belts

1. Shut off engine, remove key, disconnect spark plug wire and allow unit to cool completely.
2. Loosen hardware securing belt cover to unit (Figure 34).

NOTICE: Do NOT completely remove the hardware from unit.

3. Remove belt cover.
4. Remove chute gear cover.
5. Remove hair pin in front of chute gear assembly and slide the discharge chute rod rearward.
6. Disconnect chute lock cable and deflector cable.
7. Remove belt finger (Figure 33).

IMPORTANT: Use care when rotating the belt fingers. DO NOT bend belt fingers out of shape.

8. Remove attachment drive belts from engine sheave (it may be necessary to turn engine sheave using recoil starter handle).

IMPORTANT: To avoid bending bottom cover when tipping unit apart, support handlebars firmly or tip unit up on housing and remove bottom cover by removing six cap screws before separating unit.

9. Support Sno-Thro frame and housing.



CAUTION: Always support Sno-Thro frame and blower housing when loosening the cap screws holding them together. Never loosen cap screws while unit is in service position.

10. Remove hex bolts securing housing to frame (one on each side). Tip housing and frame apart on pivot pin (Figure 34).

11. Remove attachment drive belts from attachment pulley (hold brake away from belts).

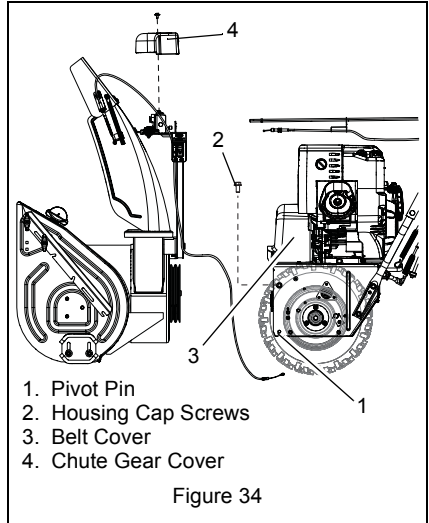


Figure 34

Install new attachment drive belts

1. Place new attachment belts onto attachment pulley.

NOTICE: Holding down the attachment clutch lever will make it easier to reconnect the housing and frame.

2. Tip housing and frame back together and secure with hex bolts.
3. Place belts onto engine sheave.
4. Reposition and secure belt fingers.

IMPORTANT: With clutch lever engaged, belt finger on the side opposite the belt idler should be less than 3 mm from belts, but not touching the belts. Adjust belt finger as necessary.

5. Adjust attachment cable. See *Attachment Clutch/Brake Adjustment* on page 32.



WARNING: AUGER / IMPELLER MUST STOP within 5 seconds when attachment clutch lever is released or unit damage or serious injury may result.

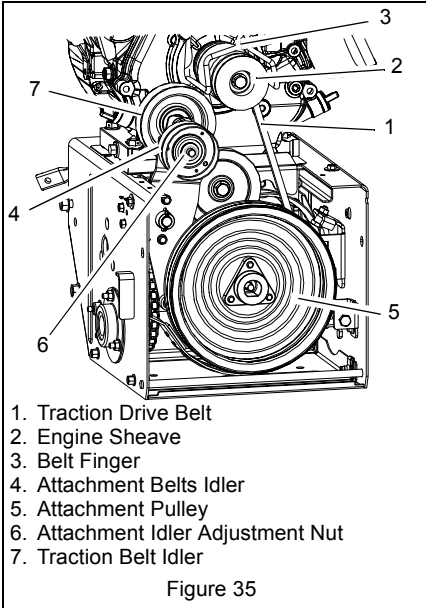
6. Reconnect chute crank and secure with spring clip. Reconnect chute lock cable and deflector cable.
7. Replace chute gear cover.
8. Replace belt cover and tighten hardware.

TRACTION DRIVE BELT REPLACEMENT

(Figure 35)

NOTICE: Replacement will be easier with housing and frame tipped apart and bottom cover off.

1. Remove attachment drive belts (see *Remove old attachment drive belts* on page 34).
2. Remove hairpin attaching traction cable to the idler arm, and disconnect the cable. (Figure 35).



1. Traction Drive Belt
2. Engine Sheave
3. Belt Finger
4. Attachment Belts Idler
5. Attachment Pulley
6. Attachment Idler Adjustment Nut
7. Traction Belt Idler

3. Pull idler away from traction drive belt and remove belt from stationary idler pulley, engine sheave and transmission pulley. (It may be necessary to turn engine pulley using recoil handle.)
4. Install new traction drive belt onto transmission pulley, stationary idler pulley and engine sheave.
5. Connect traction cable to idler arm and secure connection with hairpin.
6. Replace attachment drive belts (see *Install new attachment drive belts* on page 34).

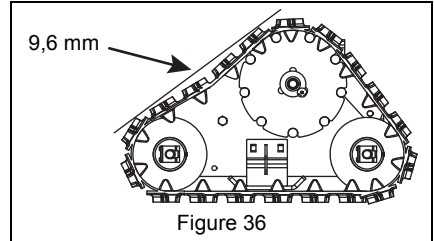
TRACK TENSION ADJUSTMENT

(926325, 514)

(Figures 36 and 37)

Check the track tension by applying pressure on the track midway between the upper and rear track rollers. Deflection should be approximately 9,6 mm (Figure 36).

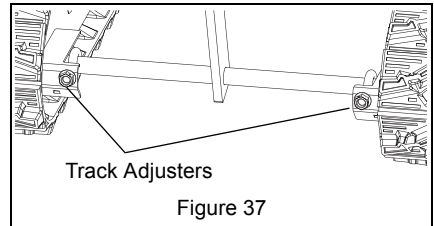
If deflection is excessive, tighten the track tension.



If unit pulls to the left or right when a straight path is desired adjust the track tension. If the unit is pulling to the left, tighten the left track adjuster. If the unit is pulling to the right, tighten the right track adjuster.

To adjust (Figure 37):

1. Tighten the adjuster nut to tighten the track tension.
Loosen the adjuster nut to reduce track tension.
2. Check that unit tracks straight with no pulling to either side.



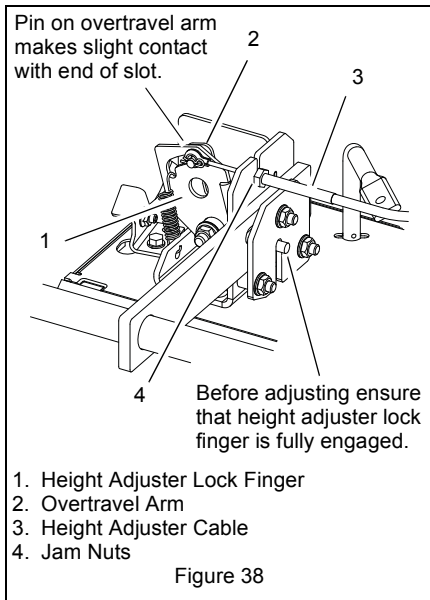
HEIGHT ADJUSTER CABLE ADJUSTMENT

(926325, 514)

(Figure 38)

1. Make sure that height adjustment lock finger is fully engaged.
2. Loosen jam nut on cable adjustment barrel.

- Turn the adjustment barrel to remove all cable slack and bring the overtravel arm until it makes slight contact with the right end of the slot in the height adjuster lock finger.
- Tighten the jam nuts.



BATTERY (926514, 517)

Charging

- Place unit on a level surface and shut off engine.
- Disconnect negative (-) cable first, then positive (+) cable.
- Loosen wing nut and remove battery. Place battery on bench or other well-ventilated place.
- Connect positive (+) lead of charger to positive (+) terminal and negative (-) lead to negative (-) terminal.
- Charge the battery at two and a half amps for 10 hours.
- Reinstall battery into unit and connect positive (+) cable first, then negative (-) cable.

Replacing

Use U1R or U1L; 220 CCA minimum @ 18°C type batteries.

STORAGE



WARNING: AVOID INJURY. Read and understand the entire *Safety* section before proceeding.

SHORT TERM

IMPORTANT: NEVER spray unit with high pressure water or store unit outdoors.

Run with attachment clutch engaged a few minutes after each use to free unit of any loose or melting snow.

Close fuel shut-off valve.

Inspect unit for visible signs of wear, breakage or damage.

Keep all nuts, bolts and screws properly tightened and know unit is in safe working condition.

Store unit in a cool, dry protected area.

LONG TERM

Clean unit thoroughly with mild soap and low pressure water and lubricate (see *MAINTENANCE* on page 25). Touch up all scratched painted surfaces.

Remove weight from wheels by putting blocks under frame or axle.

FUEL SYSTEM

Gasoline left in the fuel system for extended periods without a stabilizer will deteriorate, resulting in gum deposits in the system. These deposits can damage the carburetor and the fuel hoses, filter and tank. Prevent deposits from forming in the fuel system during storage by adding a quality fuel stabilizer to the fuel. Follow the recommended mix ratio found on the fuel stabilizer container.

IMPORTANT: NEVER store the engine with fuel in the fuel tank inside of a building with potential sources of ignition.

Add Fuel Stabilizer

- Turn the fuel valve off while engine is running and allow the engine to run until it stops. Turn engine OFF when it begins surging to avoid engine damage.
- Add fuel stabilizer, following the manufacturer's instructions.
- Turn fuel valve on after adding fuel stabilizer.
- Re-start engine.

5. Run the engine outdoors for 5 minutes to be sure that treated gasoline has replaced the untreated gasoline in the carburetor.
6. Slow the engine to an idle speed.
7. Stop engine.

SERVICE PARTS	
Part No.	Description
00036800	Ariens Hi-Temp Grease (3x 88.72 mL cartridges)
00592900	Fuel Stabilizer (118.3 mL)
21531100	Spark Plug
07200608	Impeller Belt (Set of 2)
07200631	Traction Belt (926326, 329, 517)
07200630	Traction Belt (926325, 514)
52100100	Shear Bolt Kit
06400920	Gear Case Seal Washer

ACCESSORIES	
Part No.	Description
72406500	Front Weight Kit
72406900	Slicer Bar
72600300	Composite Skid Shoes
72601500	Cover
72408000	Snow Cab

TROUBLESHOOTING

PROBLEM	PROBABLE CAUSE	CORRECTION
Engine will not crank/start.	<ol style="list-style-type: none"> 1. Fuel tank is empty. 2. Fuel shut-off valve closed. 3. Build up of dirt and residue around governor/carburetor. 4. Key Switch not in run position. 5. Ignition switch starter circuit not functioning. 6. Electric starter not functioning. 7. Battery discharged, wires loose. 8. Fuse on wiring harness blown. 	<ol style="list-style-type: none"> 1. Fill fuel tank (see <i>FILLING FUEL TANK</i> on page 21). 2. Open fuel shut-off valve. 3. Clean area around governor/carburetor. 4. Put Key Switch into run position. 5. Check for a bad starter or connections. 6. Check for a bad starter or connections. 7. Check battery and connections. 8. Replace fuse.
Engine stops.	<ol style="list-style-type: none"> 1. Out of fuel. 2. Fuel shut-off valve closed. 3. Mechanical jam in blower rake or impeller. 4. Polluted fuel supply. 5. Faulty spark plug. 6. Plugged fuel cap vent. 	<ol style="list-style-type: none"> 1. Fill fuel tank (see <i>FILLING FUEL TANK</i> on page 21). 2. Open fuel shut-off valve. 3. Turn off engine, remove key, and wait for all moving parts to stop. Check for and remove obstruction and repair before restart. 4. Replace with clean fuel. 5. Replace or clean spark plug. 6. Replace fuel cap.
Engine problems.	<ol style="list-style-type: none"> 1. See Engine Manual. 	<ol style="list-style-type: none"> 1. See Engine Manual.
Does not operate in Forward / Reverse.	<ol style="list-style-type: none"> 1. Slack in traction cable. 2. Traction belt not functioning. 3. Speed selector not adjusted properly. 4. Transmission is bypassed. 	<ol style="list-style-type: none"> 1. Loosen jam nut on cable, remove slack from cable, tighten jam nut. 2. Repair or replace traction drive belt. See <i>Traction Drive Belt Replacement</i> on page 35. 3. Adjust speed selector. See <i>Speed Selector Adjustment</i> on page 31. 4. Verify bypass rod is pushed fully forward into the frame (see <i>Moving The Unit With the Engine Off</i> on page 19).
Unit throws snow poorly or does not throw snow.	<ol style="list-style-type: none"> 1. Shear bolts broken. 2. Attachment clutch/brake not adjusted properly. 3. Impeller is frozen in place. 4. Ice or debris is obstructing auger. 5. Attachment drive belts slipping, worn or damaged. 	<ol style="list-style-type: none"> 1. Replace shear bolts (see <i>Shear Bolts</i> on page 29). 2. Adjust attachment clutch/brake (see <i>Attachment Clutch/Brake Adjustment</i> on page 32). 3. Move unit to a warm place to thaw. 4. With the engine off and auger disengaged, check for obstructions and remove. 5. Adjust or replace attachment drive belts. (To adjust, see <i>Attachment Clutch/Brake Adjustment</i> on page 32. To replace, see <i>Attachment Drive Belts Replacement</i> on page 34.)

SPECIFICATIONS

Model Number	926326	926329	926325	926514	926517
Description	Hydro Pro 28	Hydro Pro 36	Hydro Pro 28 Track	Hydro Pro 32 Track	Hydro Pro 32
Engine					
Engine Model	Briggs & Stratton Polar Force Pro 2100				
Gross Torque* – N•m	28,5				
*Engine output stated in gross torque per SAE J1940 as rated by engine manufacturer					
Displacement – cc	420				
High Idle – RPM (min)	3600 ± 100				
Electric Start	220V			12V	
Fuel Tank Capacity – Liters	5,6				
Chute					
Chute Rotation Angle	200°				
Rotation Control	Quick Turn				
Deflector Control	Remote				
Auger					
Snow Clearing Width – cm	71,2	91,4	71,2	81,3	
Gearcase	Cast Iron				
Auger Diameter – cm	40,6				
Impeller					
Diameter – cm	35,6				
Speed (RPM)	1112				
Tip Speed – m/sec	20,7				
Drive					
Blower Drive	Dual HA Belts				
Drive	Hydrostatic				
Speeds	Infinitely Variable				
Axle Control	Automatic Traction Control				
Pneumatic Tires – cm	40,6 x 12,2-20,3 Directional	40,6 x 16,5-20,3 Directional	13,97 Directional Track		40,6 x 16,5-20,3 Directional
Size and Weight					
Length – cm	156				
Height – cm	114,3				
Width – cm	77,5	97,8	77,5	87,6	
Weight – Kg	142,0	150,1	156,6	172,1	157,4
CE Sound and Vibration (Ref. EN836-2011)					
Oper. Ear Sound Pressure (Lpa) in dBA	89				
Vibration Measure (m/sec ²) at Operator Hands	5	5	3,5	3,2	5



Sno-Thro[®], Sno-Tek[®] and Chore Performing Equipment Limited Warranty

Ariens Company (Ariens) warrants to the **original purchaser** that Ariens, Gravely, Parker, and Countax brand chore performing equipment (including Sno-Thro[®] and Sno-Tek[®] equipment) purchased on or after 1/1/2013 will be free from defects in material and workmanship for the time period noted in the chart below. Equipment put to personal use around a single household or residence is considered "Consumer Use"; equipment put to any business use (agricultural, commercial, or industrial) or used at multiple locations is considered "Commercial Use." If any product is rented or leased, then the duration of these warranties shall be 90 days after the date of purchase.

An authorized Ariens dealer (Ariens brand products), Gravely dealer (Gravely brand products), Parker dealer (Parker brand products), or Countax dealer (Countax brand products) will repair any defect in material or workmanship, and repair or replace any defective part, subject to the conditions, limitations and exclusions set forth herein. Such repair or replacement will be free of charge (labor and parts) to the original purchaser except as noted below.

Warranty Code	Product Group	Warranty Period Consumer Use	Warranty Period Commercial Use
PA	Log Splitters, Brushes, String Trimmers, Edgers	3 Years	90 Days
PB	Professional Powered Brushes	3 Years	1 Year
PC	Tillers	2 Years	90 Days
PD	Vacuums, Blowers, Sweepers, Truck Loaders, Lawn Rakes, Sprayers, Aerators, etc.	1 Year	1 Year
PE	Pressure Washer, Generators	3 Years	1 Year
SA	Professional Sno-Thro [®]	3 Years	1 Year
SB	Compact, Deluxe, Platinum, AMP [™] Sno-Thro [®] , Path-Pro [®]	3 Years	90 Days
SC	Sno-Tek [®]	2 Years	90 Days
UA	Utility Vehicles	1 Year	1 Year
N/A	Service (Replacement) Parts	90 Days (no labor)	90 Days (no labor)

Special Extensions

The chart below details special extensions to this warranty:

Warranty Code	Warranty Exception	Warranty Period	Use	Detail
SA	Cast Iron Auger Gear Case	5 Years	All	5 Years for all users including Commercial
SB	Cast Iron Auger Gear Case	5 Years	Consumer	5 Years for Consumer use; 1 Year for Commercial Use
SB	Batteries for AMP [™] Sno-Thro [®]	2 Years	Consumer	100% first year; prorated second year.

Exceptions and Limitations

The chart below details special exceptions to this warranty:

Warranty Code	Warranty Exception	Warranty Period	Use	Detail
All	Batteries	1 Year	All	Prorated
All	Belts, Muffler, Tires	None	Commercial	These components are not covered when used commercially.
All	Cloth, Plastic, and Rubber Components (Including Belts and Cables)	Maximum 2 Years	All	Warranty is limited to 2 years for consumer use. (1 year for warranty code "PD".) Except as noted above, these components are covered for defect, not for wear.
SA, SB, SC	Idlers	Maximum 2 Years	All	Warranty is limited on idlers to 2 years for consumer use.
All	Engines	See Engine Manufacturer's Warranty	All	Engines are covered by engine manufacturer's warranty. Refer to engine manufacturer's warranty statement.

Customer Responsibilities

Register the product immediately at the time of sale. If the dealer does not register the product, the customer must complete the product registration card in the literature package and return it to Ariens Company, or register the unit online at www.ariens.com, www.gravely.com, www.countax.com or www.parkersweeper.com.

To obtain warranty service, the **original purchaser** must:

- Perform the maintenance and adjustments explained in the Owner's Manual.
- Promptly notify Ariens or an authorized Ariens, Gravely, Parker or Countax service representative of the need for warranty service.
- Transport the product to and from the place of warranty service at owner's expense.
- Have the warranty service performed by an authorized Ariens, Gravely, Parker or Countax service representative.

To Find an Authorized Service Representative:

In the U.S. and Canada:		
Use the dealer locator on our websites: www.ariens.com • www.gravely.com		
Or contact us by mail or by phone:		
In the U.S., Canada, Mexico, Caribbean, Central and South America:	In Europe, Asia, Africa or the Middle East:	In Australia or New Zealand:
Ariens Company 655 W. Ryan Street Brillion, WI 54110 Phone: (920) 756 - 4688 www.ariens.com	Countax Ltd, Countax House Great Haseley, Oxfordshire, OX44 7PF Phone: 0800 597 7777 www.countax.com	Ariens Company Building 2 6 Wedgewood Rd. Hallam, Victoria 3803 Australia Phone: (03) 9796 4244 1800 335 489 www.ariens.com.au

Exclusions – Items Not Covered by This Warranty

- Parts that are not genuine Ariens, Gravely, Parker or Countax service parts are not covered by this warranty and may void the warranty.
- Damages resulting from the installation or use of any part, accessory, or attachment which is not approved by the Ariens Company for use with product(s) identified herein are not covered by this warranty.
- The following maintenance, service and replacement items are not covered by this warranty unless they are noted in the Limitations section above: lubricants, spark plugs, oil, oil filters, air filters, fuel filters, brake linings, brake arms, brake shoes, skid shoes, scraper blades, shear bolts, mower blades, mower vanes, brushes, headlights, light bulbs, knives, cutters, and single-stage impellers.
- Any misuse, alteration, improper assembly, improper adjustment, neglect, or accident which requires repair is not covered by this warranty.
- **Use of gasoline blends exceeding 10% ethanol voids any and all warranties.**
- Products are designed to the specifications in the area that the product was originally distributed. Different areas may have significantly different legal and design requirements. This warranty is limited to the requirements in the area in which the unit was originally distributed. Ariens Company does not warrant this product to the requirements of any other area. Warranty service is limited to service within the area originally distributed.
- In countries other than the United States and Canada, contact the Ariens Company dealer for warranty policies that govern within your country. Rights may vary from country to country and within any one country.
- Normal Wear: This warranty does not cover repair when normal use has exhausted the useful life of a part such as a high pressure hose, spray wand, nozzles, trigger handle, supply hoses, quick couplers, gaskets, valves, pistons, pump valve assemblies, o-rings, water and oil seals.

Special Exclusions on Utility Vehicles

The following uses void the warranty terms on Utility Vehicles (Warranty Code UA):

- Renting or leasing the utility vehicle.
- Using the utility vehicle to tow or carry loads in excess of the limits specified in the Owner/Operator Manual.
- Modifying the utility vehicle with parts and accessories that are not genuine or authorized Ariens or Gravely parts or accessories.
- Modifying the utility vehicle without express written authorization from Ariens Company.
- Operating the utility vehicle when it has not been completely and properly assembled and pre-delivered by an authorized Gravely dealer.

Disclaimer

Ariens Company may from time to time change the design of its products. Nothing contained in this warranty shall be construed as obligating Ariens Company to incorporate such design changes into previously manufactured products, nor shall such changes be construed as an admission that previous designs were defective.

LIMITATION OF REMEDY AND DAMAGES

Ariens Company's liability under this warranty, and under any implied warranty that may exist, is limited to repair of any defect in workmanship, and repair or replacement of any defective part. Ariens Company shall not be liable for incidental, special, or consequential damages (including lost profits). Some states do not allow the exclusion of incidental or consequential damages, so the above limitation or exclusion may not apply to you.

AUSTRALIAN CONSUMER LAW

The following applies solely to warranties subject to Subsection 102(1) of the Australian Consumer Law: Our goods come with guarantees that cannot be excluded by the Australian Consumer Law. You are entitled to a replacement or refund for a major failure and for compensation for any other reasonably foreseeable loss or damage. You are also entitled to have the goods repaired or replaced if the goods fail to be of acceptable quality and failure does not amount to a major failure.

DISCLAIMER OF FURTHER WARRANTY

Ariens Company makes no warranty, express or implied, other than what is expressly made in this warranty. If the law of your state provides that an implied warranty of merchantability, or an implied warranty of fitness for particular purpose, or any other implied warranty, applies to Ariens Company, then any such implied warranty is limited to the duration of this warranty. Some states do not allow limitations on how long an implied warranty lasts, so the above limitation may not apply to you.

This warranty gives you specific legal rights, and you may also have other rights which vary from region to region.



THE KING OF SNOW®

Ariens
655 West Ryan Street
Brillion, WI 54110
920-756-4688
Fax 920-756-2407
www.ariens.com
www.ariens.eu
www.ariens.com.au

 **WARNING** 

The engine exhaust from this product contains chemicals known to the State of California to cause cancer, birth defects or other reproductive harm.

An *Ariens* Company Brand