



Zoom XL®

Owner/Operator Manual

Manuel Du Propriétaire/Utilisateur

Models

915163 – Zoom XL 42

915165 – Zoom XL 48

915167 – Zoom XL 54



(GB) ENGLISH

(F) FRANÇAIS

04043500 10/10

Printed in USA

TABLE OF CONTENTS

SAFETY.....	4	STORAGE.....	27
ASSEMBLY.....	10	TROUBLESHOOTING	27
CONTROLS AND FEATURES	12	SERVICE PARTS	29
OPERATION	13	ACCESSORIES.....	29
MAINTENANCE SCHEDULE	17	SPECIFICATIONS.....	30
SERVICE AND ADJUSTMENTS	18	WARRANTY	33

INTRODUCTION

NON-ENGLISH MANUALS



Manuals in languages other than English may be obtained from your Dealer. Visit your dealer or www.ariens.com for a list of languages available for your equipment.



Manuals printed in languages other than English are also available as a free download on our website:

<http://www.ariens.com>

MANUALES EN IDIOMAS DIFERENTES DEL INGLES



Puede obtener manuales en idiomas diferentes del inglés en su distribuidor. Visite a su distribuidor o vaya a www.ariens.com para obtener una lista de idiomas disponibles para su equipo.



También puede imprimir manuales en idiomas diferentes del inglés descargándolos gratuitamente de nuestra página Web:

<http://www.ariens.com>

Manuels non anglais



Des manuels dans différentes langues sont disponibles chez votre revendeur. Rendez-vous chez votre revendeur ou allez sur le site www.ariens.com pour consulter la liste des langues disponibles pour votre équipement.



Les manuels imprimés dans des langues différentes de l'anglais sont également disponibles en téléchargement gratuit sur notre site Web:

<http://www.ariens.com>

THE MANUAL

Before operation of unit, carefully and completely read your manuals. The contents will provide you with an understanding of safety instructions and controls during normal operation and maintenance.

All reference to left, right, front, or rear are given from operator seated in operation position and facing the direction of forward travel.

ENGINE MANUAL

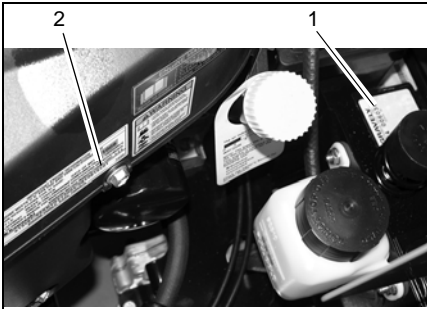
The engine on this unit is covered by a separate manual specific to the engine. This manual is included in the literature package that shipped with the unit. Refer to this manual for engine service recommendations. If the engine manual is not available, contact the engine manufacturer for a replacement manual.

MODEL AND SERIAL NUMBERS

When ordering replacement parts or making service inquiries, know the Model and Serial numbers of your unit and engine.

Numbers are located on the product registration form in the unit literature package.

They are printed on a serial number label, located on the frame of your unit (figure 1).



1. Unit Serial Number Label
2. Engine Serial Number Label

Figure 1

- Record Unit Model and Serial numbers here.

- Record Engine Model and Serial numbers here.

PRODUCT REGISTRATION

The Ariens dealer must register the product at the time of purchase. Registering the product will help the company process warranty claims or contact you with the latest service information. All claims meeting requirements during the limited warranty period will be honored, whether or not the product registration card is returned. Keep a proof of purchase if you do not register your unit.

Customer Note: If the dealer does not register your product, please fill out, sign, and return the product registration card to Ariens.

UNAUTHORIZED REPLACEMENT PARTS

Use only Ariens replacement parts. The replacement of any part on this unit with anything other than an Ariens authorized replacement part may adversely affect the performance, durability, and safety of this unit and may void the warranty. Ariens disclaims liability for any claims or damages, whether warranty, property damage, personal injury or death arising out of the use of unauthorized replacement parts.

DELIVERY

Customer Note: If you have purchased this product without complete assembly and instruction by your retailer, it is your responsibility to:

- Read and understand all assembly instructions in this manual. If you do not understand or have difficulty following the instructions, contact your nearest Ariens Dealer for assistance.

NOTE: To locate your nearest Ariens Dealer, go to www.ariens.com on the internet.

NOTE:



WARNING: Improper assembly or adjustments can cause serious injury.

Before Attempting To Operate Your Unit:

1. Make sure all assembly has been properly completed.
2. Understand all Safety Precautions provided in the manuals.
3. Review control functions and operation of the unit. Do not operate the unit unless all controls function as described in this manual.
4. Review recommended lubrication, maintenance and adjustments.
5. Review Limited Warranty Policy.
6. Fill out a product registration card and return the card to the Ariens Company or go to www.ariens.com.

DISCLAIMER

Ariens reserves the right to discontinue, change, and improve its products at any time without notice or obligation to the purchaser.

The descriptions and specifications contained in this manual were in effect at printing. Equipment described within this manual may be optional. Some illustrations may not be applicable to your unit.

SAFETY



WARNING: This cutting machine is capable of amputating hands and feet and throwing objects. Failure to observe the safety instructions in the manuals and on decals could result in serious injury or death.

Slopes are a major factor related to loss-of-control and tip-over accidents. Operation on all slopes requires extra caution.

Tragic accidents can occur if the operator is not alert to the presence of children. Never assume that children will remain where you last saw them.

Gasoline is extremely flammable and the vapors are explosive, handle with care.

Disengage attachment, stop unit and engine, remove key, engage parking brake, and allow moving parts to stop before leaving operator's position.



DANGER: IMMINENTLY HAZARDOUS SITUATION! If not avoided, WILL RESULT in death or serious injury.



WARNING: POTENTIALLY HAZARDOUS SITUATION! If not avoided, COULD RESULT in death or serious injury.



CAUTION: POTENTIALLY HAZARDOUS SITUATION! If not avoided, MAY RESULT in minor or moderate injury. It may also be used to alert against unsafe practices.

NOTATIONS

NOTE: General reference information for proper operation and maintenance practices.

IMPORTANT: Specific procedures or information required to prevent damage to unit or attachment.

SAFETY ALERTS



Look for these symbols to point out important safety precautions. They mean:



- Attention!
- Personal Safety Is Involved!
- Become Alert!
- Obey The Message!

The safety alert symbol is used in decals and with this manual. Understand the safety message. It contains important information about personal safety.

SAFETY DECALS AND LOCATIONS

ALWAYS replace missing or damaged Safety Decals. Refer to figure 2 for Safety Decal locations.

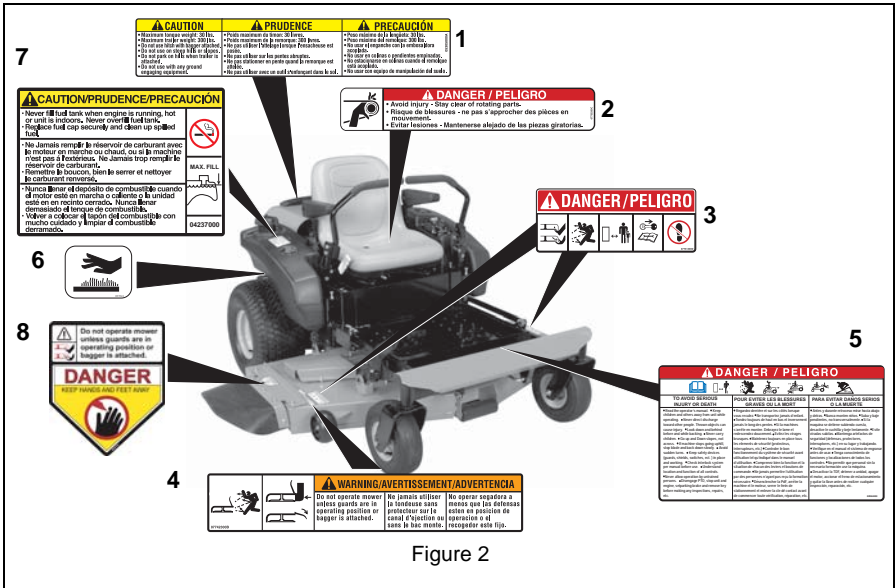


Figure 2

1. Caution!

- Maximum Tongue weight: 30 lbs.
- Maximum Trailer weight: 300 lbs.
- Do not use hitch with bagger attached.
- Do not use on steep hills or slopes.
- Do not park on hills when trailer is attached.
- Do not use with any ground engaging equipment.

2. Danger!



Avoid injury - Stay clear of rotating parts.

3. Danger!



Always keep feet and hands away from rotating parts.



Always stand clear of discharge area. Do not direct discharge toward other people.



Keep people away from unit while operating.



Shut off engine, remove key, and read manual before you adjust or repair unit.



NO STEP! Always keep feet away from rotating parts.

4. Warning!



Always stand clear of discharge area.



Do not operate mower unless bagger is attached or guards are in operating position.

5. Danger! To Avoid Serious Injury or Death



Read the operator's manual.



Keep children and others away from unit while operating.



Never direct discharge toward other people. Thrown objects can cause injury.



Look down and behind before and while backing.



Never carry children.



Go up and down slopes, not across.



DO NOT operate on slopes over 10°.

- If machine stops going uphill, stop blade and back down slowly.
- Avoid sudden turns.
- Keep safety devices (guards, shields, switches, etc.) in place and working.
- Check interlock system per manual before use.
- Understand location and function of all controls.
- Never allow operation by untrained persons.
- Disengage PTO, stop unit and engine, set parking brake and remove key before making any inspections, repairs, etc.

6. Hot Surfaces!



DO NOT touch parts which are hot from operation. ALWAYS allow parts to cool.

7. Caution!



No smoking.



Fill fuel tank to bottom of neck - MAXIMUM.



WARNING: Over Filling may cause severe damage to evaporative system!

- Never fill fuel tank when engine is running, hot or unit is indoors. Never overfill fuel tank.
- Replace fuel cap securely and clean up spilled fuel.

8. Danger!



Keep hands and feet away.



Do not operate mower unless guards are in operating position or bagger is attached.

EMISSION CONTROL SYSTEM

This equipment and/or its engine may include exhaust and evaporative emissions control system components required to meet U.S. Environmental Protection Agency (EPA) and/or California Air Resources Board (CARB) regulations. Tampering with emission controls and components by unauthorized personnel may result in severe fines or penalties. Emission controls and components can only be adjusted by an Ariens Company dealer or an authorized engine manufacturer's service center. Contact your Ariens Company Equipment Retailer concerning emission controls and component questions.

SAFETY RULES

If unit is to be used by someone other than original purchaser; loaned, rented or sold, ALWAYS provide this manual and any needed safety training before operation.

Only the user can prevent and is responsible for accidents or injuries occurring to themselves, other people or property.

Read, understand, and follow all safety practices in Owner/Operator Manual before assembling, using or working on this mower. ALWAYS remove key from ignition and wire from spark plug before assembly, or working on this unit.

Inspect unit before each use for: missing or damaged decals and shields, correctly operating safety interlock system, and deterioration of grass catchers. Replace or repair as needed.

ALWAYS check overhead and side clearances carefully before operation.

ALWAYS be aware of traffic when crossing or operating along streets or curbs.

Keep children, people, and pets away. Be alert and shut off unit if anyone enters work area. Keep children under watchful care of a responsible adult.

NEVER allow children to operate or play on or near unit.

Keep area of operation clear of all toys, and debris. Thrown objects can cause injury. Stay alert for hidden hazards, holes, and ruts. Avoid uneven or rough terrain. DO NOT operate near drop-offs, ditches, or embankments. Unit can suddenly turn over if a wheel is over the edge of a cliff or ditch, or if an edge caves in.

Dust, fog, etc. can reduce vision and cause an accident. Operate unit only when there is good visibility and light.

Data indicates that operators, age 60 and above, are involved in a larger percentage of riding mower related injuries. These operators should evaluate their ability to operate the riding mower safely enough to protect themselves and others from serious injury.

Wear adequate safety gear, sturdy shoes, and protective gloves.

Only trained adults may operate unit. Training includes being familiar with controls and actual operation.

NEVER operate unit after or during the use of medication, drugs or alcohol.

NEVER allow anyone to operate this unit when their alertness or coordination is impaired.

DO NOT wear loose clothing or jewelry and tie back hair that may get caught in rotating parts.

Protect eyes, face and head from objects that may be thrown from unit. Wear appropriate hearing protection. Always wear safety goggles or safety glasses with side shields when operating mower.

Avoid sharp edges. Sharp edges can cut. Moving parts can cut off fingers or a hand.

ALWAYS keep hands and feet away from all rotating parts during operation. Rotating parts can cut off body parts.

ALWAYS keep hands away from all pinch points.

Start and operate unit only when seated in operator's position. Steering control levers must be in neutral, PTO disengaged and parking brake set when starting engine.

ALWAYS keep body and hands away from pin holes or nozzles which eject hydraulic fluid under pressure.

DO NOT touch unit parts which might be hot from operation. Allow parts to cool before attempting to maintain, adjust or service.

NEVER place your hands or any part of your body or clothing inside or near any moving part while unit is running.

NEVER direct discharge towards persons or property. Thrown objects may ricochet back towards operator. ALWAYS stand clear of the discharge area.

ALWAYS disengage attachment, stop unit and engine, remove key, engage parking brake, and allow moving parts to stop before leaving operator's position.

Use extreme caution on gravel surfaces.

Disengage PTO when attachment is not in use and when crossing gravel surfaces.

DO NOT operate unit if safety interlock system is damaged or disabled. Check safety interlock before each use.

ALWAYS remove key to prevent unauthorized use.

DO NOT operate at too fast a rate. Slow down before turning.

Stop engine before removing grass catcher or unclogging chute.

DO NOT mow on wet grass. Reduced traction could cause sliding.

DO NOT mow with the deck access plate open. Always make sure the access plate is down, or secured down, with the hardware.

DO NOT try to stabilize the machine by putting your foot on the ground.

Know the weight of loads. Limit loads to those you can safely control and the unit can safely handle.

ALWAYS keep protective structures, guards and panels in good repair, in place and securely fastened.

Do not operate without either entire grass catcher or the discharge guard in place.

DO NOT operate in reverse unless absolutely necessary. ALWAYS look down and behind before and while backing; especially for children.

Follow the manufacturer's recommendations for wheel weights or counterweights to improve stability when using attachments.

NEVER carry passengers—especially children—even with blades off.

Use extra care when approaching blind corners or objects that may obscure vision of hidden obstacles and children.

If you cannot back up a slope or you feel uneasy on it, do not mow it.

Operation on slopes may lead to loss of steering control. When operating on slopes be prepared to react to an emergency situation:

- Return steering levers to neutral position.
- Immediately set parking brake.
- Turn off PTO and engine.

Mow up and down slopes, not across them.

Use slow speed on any slope. Tires may lose traction on slopes even though the brakes are functioning properly.

Keep all movements on the slope *slow* and *gradual*. DO NOT make sudden changes in speed or direction.

Use extra care while operating machines with grass catcher or other attachments. They can affect stability of the machine.

Avoid starting, stopping, or turning on a slope. If tires lose traction, disengage the blades and proceed slowly *straight* down the slope.

DO NOT operate on slopes over 10°.

DO NOT park on slopes unless necessary. If unit is parked on a slope, ALWAYS chock or block wheels and set parking brake.

DO NOT disengage or bypass transmission and coast downhill.

Tow only with a machine that has a hitch designed for towing. Do not attach towed equipment except at the hitch point.

Follow the manufacturer's recommendations for weight limits for towed equipment and towing on slopes.

NEVER allow children or others in or on towed equipment.

On slopes, the weight of the towed equipment may cause loss of traction and loss of control.

Travel slowly and allow extra distance to stop.

Use extra care when loading or unloading unit onto trailer or truck.

Secure unit chassis to transport vehicle. NEVER secure from rods or linkages that could be damaged.

DO NOT transport machine while engine is running.

ALWAYS turn off power to attachment and shut off fuel when transporting unit.

Keep unit free of grass clippings, leaves, and other debris. Clean up oil or fuel spills.

This product is equipped with an internal combustion type engine. DO NOT use unit on or near any unimproved, forest-covered or brush covered land unless exhaust system is equipped with a spark arrester meeting applicable local, state or federal laws. A spark arrester, if it is used, must be maintained in effective working order by operator.

Fuel is highly flammable and its vapors are explosive. Handle with care. Use only an approved gasoline container with an appropriately sized dispensing spout.

NO smoking, NO sparks, NO flames.

ALWAYS allow engine to cool before servicing.

NEVER fill fuel tank when engine is running or hot from operation.

NEVER fill or drain fuel tank indoors.

NEVER overfill fuel tank.

Replace fuel cap securely and clean up spilled fuel.

NEVER fill containers inside a vehicle or on a truck or trailer bed with a plastic liner. Always place containers on the ground away from your vehicle before filling.

When practical, remove gas-powered equipment from the truck or trailer and refuel it on the ground. If this is not possible, then refuel such equipment on a trailer with a portable container, rather than from a gasoline dispenser nozzle.

Keep the nozzle in contact with the rim of the fuel tank or container opening at all times until fueling is complete. Do not use a nozzle lock-open device.

If fuel is spilled on clothing, change clothing immediately.

Avoid Electric Shock. Objects contacting both battery terminals at the same time may result in injury and unit damage. DO NOT reverse battery connections.

Explosive Gases from battery can cause death or serious injury. Poisonous battery fluid contains sulfuric acid and its contact with skin, eyes or clothing can cause severe chemical burns.

NO flames, NO sparks, NO smoking near battery.

ALWAYS wear safety glasses and protective gear near battery. Use insulated tools.

Battery posts, terminals and related accessories contain lead and lead compounds, chemicals known to the State of California to cause cancer and reproductive harm. Wash hands after handling.

ALWAYS keep batteries out of reach of children.

Reverse connections may result in sparks which can cause serious injury. Always connect positive (+) lead of charger to positive (+) terminal, and negative (-) lead to negative (-) terminal.

ALWAYS disconnect negative (-) cable FIRST and positive (+) cable SECOND. ALWAYS connect positive (+) cable FIRST, and negative (-) cable SECOND.

A frozen battery can explode and result in death or serious injury. DO NOT charge or jump start a battery containing frozen fluid. Thaw the battery before putting on a charger or jump starting.

ALWAYS keep protective structures, guards, and panels in good repair, in place and securely fastened. NEVER modify or remove safety devices.

DO NOT change engine governor settings or over-speed engine.

Fumes from engine exhaust can cause injury or death. DO NOT run engine in an enclosed area. Always provide good ventilation.

ALWAYS maintain unit in safe operating condition. Damaged or worn out muffler can cause fire or explosion.

Stop and inspect equipment if you strike an object or if there is an unusual vibration. Repair, if necessary, before restarting. Never make adjustments or repairs with the engine running.

Mower blades are sharp and can cut you. Wrap the blade(s) or wear gloves, and use extra caution when servicing them. NEVER weld or straighten mower blades.

Rotation of one blade may cause rotation of the other blades.

Check brake operation frequently. Adjust and service as required.

Keep all hardware properly tightened.

Stored energy in springs can cause injury.

Maintain or replace safety and instruction labels, as necessary.

Never store the machine or fuel container inside a building where there is an open flame, such as a water heater.

Shut off fuel (if provided) and allow engine to cool completely before storing in closed area or covering unit.

Clean grass and debris from unit, especially from around muffler and engine, to help prevent fires.

For extended storage, clean unit thoroughly. See Engine Manual for proper storage.

Use only attachments or accessories designed for your unit.

Check attachment components frequently. If worn or damaged, replace with manufacturer's recommended parts.

ASSEMBLY



WARNING: AVOID INJURY. Read and understand the entire *Safety* section before proceeding.

Tools Required

- Adjustable wrench
- 9/16" wrench
- Petroleum jelly or dielectric grease.

Unpack Unit

Remove unit and all other components from the shipping container. Engage transmission bypass lever (see *MOVING UNIT MANUALLY* on page 16). Push unit from container onto a level surface. Disengage transmission bypass lever.

Connect Battery

See *Battery Removal and Installation* on page 22 and perform steps 2 and 3 in the installation section.

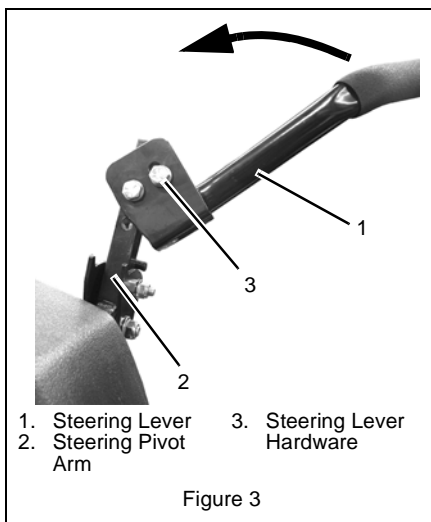
Place Unit in Operating Position

NOTE: The seat is shipped with the seat positioned as far back as possible.

1. Push steering levers aside and tip seat up.
2. Adjust the seat as needed (see *Adjusting Seat* on page 15).
3. Remove hardware from top hole of the steering lever (Figure 3). Slide steering lever back to align slot with hole at the top of the steering pivot arm.

NOTE: Do not tighten hardware before reviewing *ADJUSTING STEERING LEVERS* on page 23. If no adjustment is desired tighten hardware.

4. Adjust steering levers (see *ADJUSTING STEERING LEVERS* on page 23).



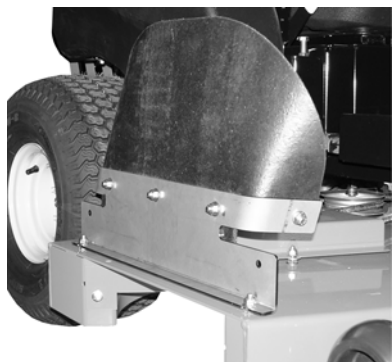
Place Discharge Chute in Operating Position



WARNING: Do not operate mower unless the discharge chute is in the operating position.

Prior to operating the unit, remove the discharge chute from the transport position and place the discharge chute in the operating position (figure 4).

Discharge Chute in Transport Position



Discharge Chute in Operating Position



Figure 4

Check Engine Oil Level

Refer to Engine Manual.

Level Mower Deck

See *LEVELLING AND ADJUSTING PITCH OF MOWER DECK* on page 20.

Fill Fuel Tank

Fill fuel tank. **DO NOT OVERFILL!** See *FILLING FUEL TANK* on page 15.

Adjust Seat

See *Adjusting Seat* on page 15.

Check Safety Interlock System



WARNING: Safety interlock failure and improper operation of unit can result in death or serious injury. Check system before each use to make sure it is functioning properly.

See *Safety Interlock System* on page 13.

Check function of all controls

See *OPERATION* on page 13.

Check Tire Pressure

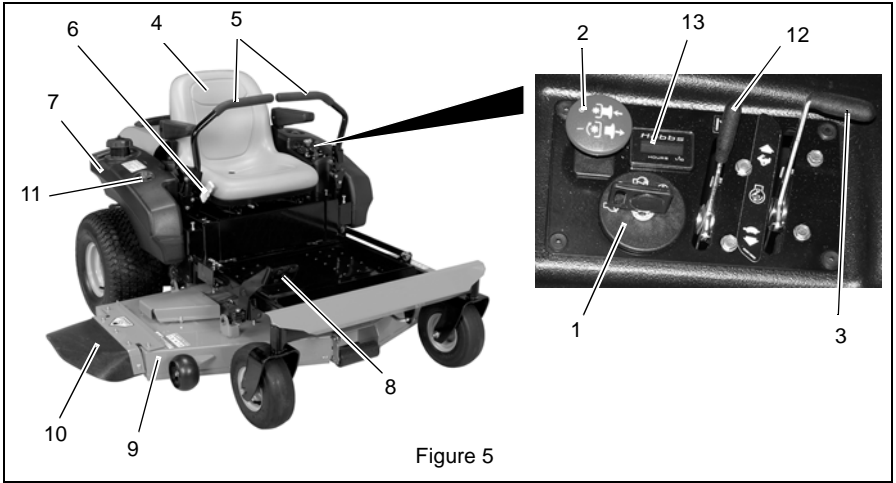


CAUTION: Avoid injury! Explosive separation of tire and rim parts is possible when they are serviced incorrectly:

- Do not attempt to mount a tire without the proper equipment and experience to perform the job.
- Do not inflate the tires above the recommended pressure.
- Do not weld or heat a wheel and tire assembly. Heat can cause an increase in air pressure resulting in an explosion. Welding can structurally weaken or deform the wheel.
- Do not stand in front or over the tire assembly when inflating. Use a clip-on chuck and extension hose long enough to allow you to stand to one side.

See *SPECIFICATIONS* on page 30.

CONTROLS AND FEATURES



- | | |
|--------------------|---------------------|
| 1. Ignition Switch | 8. Mower Lift Pedal |
| 2. PTO Switch | 9. Mower Deck |
| 3. Throttle Lever | 10. Discharge Chute |
| 4. Seat | 11. Fuel Gauge |
| 5. Steering Levers | 12. Choke Control |
| 6. Parking Brake | 13. Hour meter |
| 7. Fuel Tank | |

OPERATION



WARNING: AVOID INJURY. Read and understand the entire *Safety* section before proceeding.

CONTROLS AND FEATURES

See figure 5 for all controls and features locations.

Safety Interlock System



WARNING: Safety interlock failure and improper operation of unit can result in death or serious injury. Check system before each use to make sure it is functioning properly.

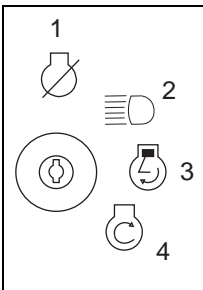
Perform the following tests to ensure the safety interlock system is working properly. If the unit does not perform as stated contact your Ariens dealer for repairs.

Test	Steering Lever	PTO	Parking Brake	Engine
1	Neutral Position	Off	Engaged	Starts
2	Neutral Position	On	Engaged	Doesn't Start
3	Neutral Position	Off	Disengaged	Doesn't Start
4*	Out of Neutral Position	Off	Disengaged	Shuts Off
5*	Neutral Position	On	Engaged	Shuts Off

* Test with engine running.

+ Operator lifts off seat.

Ignition Switch



Operate ignition switch with a removable key. Ignition switch has four positions: Stop (1), Headlight (2), Run (3), Start (4). See *STARTING AND SHUTTING OFF ENGINE* on page 16 for detailed instructions on how to start engine.

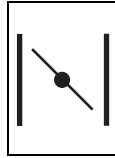
Throttle Lever



Fast (1) – Increases engine speed.

Slow (2) – Decreases engine speed.

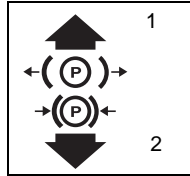
Choke Control



Use to start a cold engine. Push the choke lever away from operator position to start a cold engine. Pull the choke lever toward the operator position when the engine starts to run smoothly.

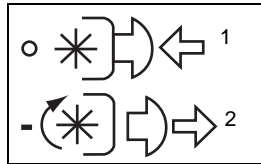
NOTE: Do not choke a warm engine.

Parking Brake



Engages (2) and disengages (1) parking brake.

Power Take-Off (PTO) Switch



Engages (2) and disengages (1) mower blades.

Hour Meter

Press and release the toggle button to shift between different functions.

Press and hold the toggle button to reset the timer or clear a service message.

The hour meter has three functions:

Hour Meter: measures the amount of time the engine has been run. This time cannot be cleared.

Timer (TMR1): measures the time spent on individual jobs.

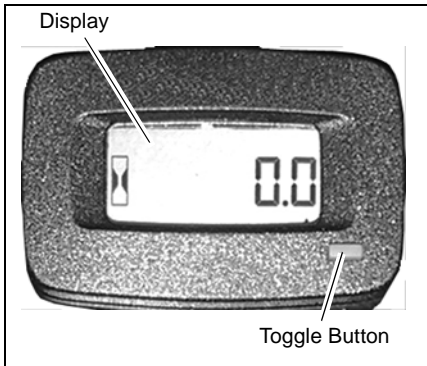
Press and hold the toggle button to reset the timer to zero. TMR1 will then start measuring engine run time until it is reset to zero again.

Service Alert (Chg Oil, Chg H Oil & Filter, SVC Airfilter): reminds operators of the maintenance interval for changing the engine oil, changing the hydraulic oil and filter and servicing the air filter.

The alert starts counting down two hours before the maintenance is due. The meter flashes the word, "Now," when it reaches the maintenance time.

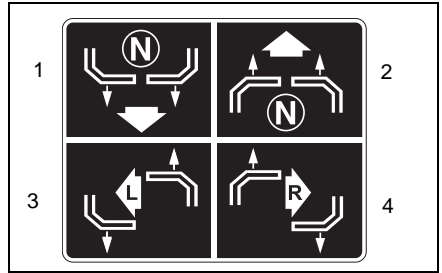
Press and hold the toggle button to reset the maintenance clock to zero after performing the service.

NOTE: The hour meter is preprogrammed for the initial oil change at 25 hours and for 100 hours thereafter. The hour meter is programmed for the initial hydraulic oil and filter change at 75 hours and for 400 hours thereafter.



Steering Levers

- Reverse (1) – Pull both steering levers backward.
- Forward (2) – Push both steering levers forward.
- Left (3) – Pull left steering lever back or push right steering lever forward or a combination of both.
- Right (4) – Pull right steering lever back or push left steering lever forward or a combination of both.



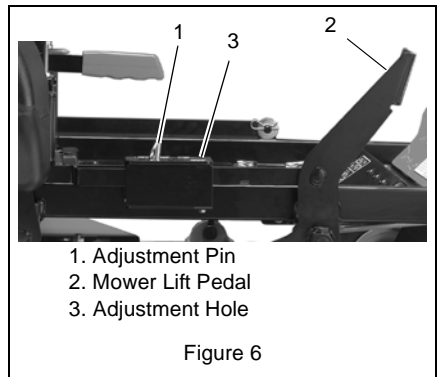
NOTE: To stop, return both steering levers to neutral.

NOTE: The steering levers must be in the neutral position to start the engine.

NOTE: The parking brake must be disengaged prior to moving the steering levers from the neutral position.

Mower Lift Pedal (Figure 6)

Raises and lowers the deck.



NOTE: The adjustment pin is used to set the height of the mower deck. See *SPECIFICATIONS* on page 30 for cutting height dimensions.



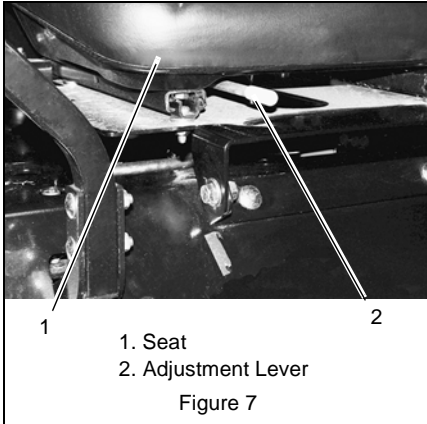
Press mower lift pedal and install adjustment pin in the desired adjustment hole.



NOTE: Adjusting the seat further forward will help increase the leverage in lifting the mower deck (see *Adjusting Seat* on page 15).

Adjusting Seat

Lift adjustment lever and slide seat forward or backward to the desired position.



FILLING FUEL TANK

To add fuel to the fuel tank:

1. Clean fuel caps and surrounding area to prevent dust, dirt, and debris from entering fuel tanks.
2. Remove fuel caps.

IMPORTANT: Refer to Engine Manual for correct type and grade of fuel.

3. Fill fuel tank to the bottom of filler neck. See *SPECIFICATIONS* on page 30 for fuel tank capacity.

IMPORTANT: DO NOT OVERFILL! This equipment and/or its engine may include evaporative emissions control system components, required to meet EPA and/or CARB regulations, that will only function properly when the fuel tank has been filled to the recommended level. Overfilling may cause permanent damage to evaporative emissions control system components. Filling to the recommended level ensures a vapor gap required to allow for fuel expansion. Pay close attention while filling the fuel tank to ensure that the recommended fuel level inside the tank is not exceeded. Use a portable gasoline container with an appropriately sized dispensing spout when filling the tank. Do not use a funnel or other device that obstructs the view of the tank filling process.

4. Replace fuel cap and tighten.
5. ALWAYS clean up spilled fuel.

GASOLINE

IMPORTANT: ALWAYS use gasoline that meets the following guidelines:

- Clean, fresh gasoline.
- A minimum of 87 octane/87 AKI (91 RON). High altitude use may require a different octane. Consult your engine manual.
- Gasoline with up to 10% ethanol (gasohol) or up to 10% MTBE (methyl tertiary butyl ether) is acceptable.
- Use of any gasoline other than those approved above will void the engine warranty. If the pumps are not marked for the content of alcohol or ethers, check ethanol and MTBE levels with the fuel supplier.
- Do not modify the fuel system to use different fuels.
- Never mix oil and gasoline.

NOTE: All gasoline is not the same. If the engine experiences starting or performance problems after using a new gasoline, switch to a different fuel provider or fuel brand.

IMPORTANT: Excessively oxygenated or reformulated fuels (fuels blended with alcohols or ethers) can damage the fuel system or cause performance problems. If any undesirable operating problems occur, use a gasoline with a lower percentage of alcohol or ether.

Fuel Stabilizer

Gasoline left in the fuel system for extended periods without a stabilizer will deteriorate, resulting in gum deposits in the system. These deposits can damage the carburetor and the fuel hoses, filter and tank. Prevent deposits from forming in the fuel system during storage by adding a quality fuel stabilizer to the fuel. Follow the recommended mix ratio found on the fuel stabilizer container.

STOPPING IN AN EMERGENCY



WARNING: Operating unit on slopes may lead to loss of steering control. When operating on slopes be prepared to react to an emergency situation.

1. Return steering levers to neutral position
2. Immediately set parking brake
3. Turn off PTO and engine

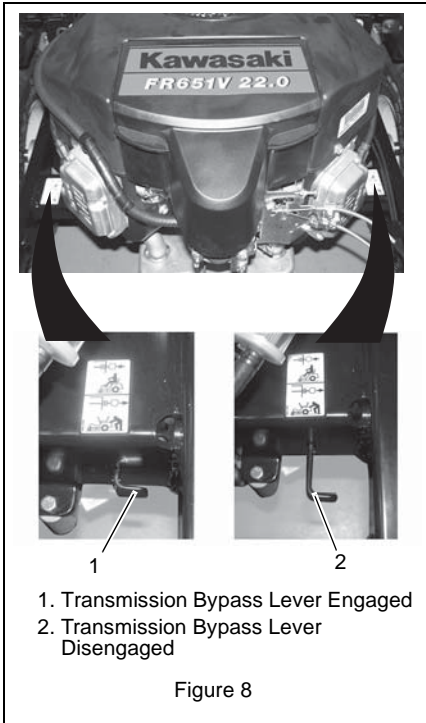
NOTE: This unit is not equipped with the return to neutral function. The control arms must be manually brought back to neutral from the forward position.

MOVING UNIT MANUALLY



WARNING: DO NOT disengage or bypass transmission and coast downhill.

Disengage (2) transmission bypass levers to drive unit and engage (1) transmission bypass levers to push unit manually (figure 8).



STARTING AND SHUTTING OFF ENGINE

Starting the Engine

NOTE: Disengage the PTO, engage the parking brake, and place the steering levers in neutral prior to starting the engine.

1. If the engine is cold, push the choke control away from operator position to start. If the engine is warm or hot, do not use choke.
2. Move the throttle to 1/3 Fast position. See Engine Manual for detailed instructions.

IMPORTANT: DO NOT operate starter for more than 15 seconds per minute as damage can occur.

3. Turn ignition key to start position and release once the engine has started.
4. Pull the choke lever toward operator position when the engine is warm. Wait until the engine is running smoothly before operation.

IMPORTANT: Let the engine warm up several seconds to several minutes depending on outside temperature.

Stopping the Engine

1. Stop unit.
2. Disengage PTO.
3. Set throttle lever to slow.
4. Turn ignition switch to off position and remove key.
5. Set parking brake.

OPERATING MOWER

1. Start engine.
2. Set throttle lever to fast.

IMPORTANT: Never engage PTO if mower is plugged with grass or other material.

3. Engage PTO to start mower blades.

NOTE: The parking brake must be disengaged prior to moving the steering levers from the neutral lockout position.

4. Release parking brake.
5. Use steering levers to move the unit.
6. Disengage PTO to stop mower blades.

TRANSPORTING UNIT

ALWAYS shut off engine, set parking brake, remove key, and close fuel shut-off valve or drain fuel when transporting unit on a truck or trailer. Tie unit down securely. Do not tie down by linkages, guards, cables or other parts that may be damaged.

FOR BEST PERFORMANCE

Cut grass when it is dry.

Keep mower blades sharp.

Keep mower deck properly leveled.

Adjust anti-scalp rollers to prevent scalping.

Do not set height of cut too low. For very tall grass, mow twice.

Do not travel too fast.

Mow with the engine set at full throttle.

When mulching, only remove 1/3 of grass length per cutting.

Discharge clippings into areas already cut.

Vary cutting pattern with each mowing.

Do not allow grass or debris to collect inside of mower deck. Clean after each use.

MAINTENANCE SCHEDULE

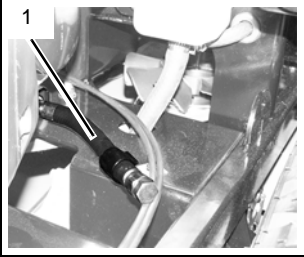
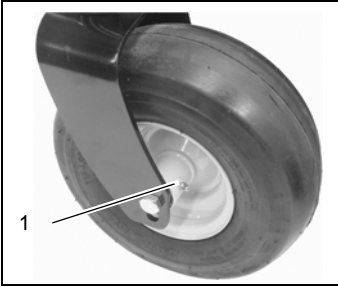


WARNING: AVOID INJURY. Read and understand the entire *Safety* section before proceeding.

NOTE: To have full access to the engine, the seat must be tipped forward (see *TIPPING SEAT FORWARD* on page 18) and the hood opened (see *OPENING AND CLOSING HOOD* on page 19).

IMPORTANT: Proper maintenance can prolong the life of unit. The following chart shows the recommended service schedule. Refer to the maintenance instructions in the Engine Manual for additional information.

Interval	Task	Action
Each Use	Check Safety Interlock System	WARNING: Safety interlock system failure and improper operation of unit can result in death or serious injury. Test this system each time the unit is operated. If this system does not function as described, do not operate until repairs are made (see <i>Safety Interlock System</i> on page 13).
	Check Parking Brake	Engage parking brake and engage transmission bypass lever (see <i>MOVING UNIT MANUALLY</i> on page 16). Push unit. If unit rolls, contact your Ariens Dealer.
	Clean Unit	Clean engine, battery, seat, mower deck, etc. of all dirt and debris. Do not use solvents, hard cleaners, or abrasives. NOTE: Protect painted surfaces with automotive type wax. See <i>SPECIFICATIONS</i> on page 30 for correct tire pressure. IMPORTANT: Do not spray the unit with water, especially when the unit is warm from operation. Water can seep into bearings and damage them.
	Check Tires	CAUTION: Avoid injury! Explosive separation of tire and rim parts is possible when they are serviced incorrectly: <ul style="list-style-type: none"> • Do not attempt to mount a tire without the proper equipment and experience to perform the job. • Do not inflate the tires above the recommended pressure. • Do not weld or heat a wheel and tire assembly. Heat can cause an increase in air pressure resulting in an explosion. Welding can structurally weaken or deform the wheel. • Do not stand in front or over the tire assembly when inflating. Use a clip-on chuck and extension hose long enough to allow you to stand to one side.
	Check Mower Blades	CAUTION: Check for worn or damaged mower blades.

Interval	Task	Action
Each Use	Follow Engine Manual Maintenance Schedule	<p>Perform scheduled engine maintenance. Refer to Engine Manual for detailed instructions.</p> <p>NOTE: To drain the oil, use the oil drain hose (1) supplied with unit, not the drain plug that is shown in the Engine Manual.</p> 
25 Hours or Every Season	<p>Check Battery</p> <p>Lubricate Unit</p>	<p>Keep battery and battery terminals clean (see <i>Cleaning Battery and Battery Cables</i> on page 22).</p> <p>Apply grease to zerk (1) on each front wheel</p> 
50 Hours or Every Season	Check Fasteners	Check mower blade mounting hardware and all other fasteners. Replace fasteners that are missing or damaged. Tighten all nuts and bolts to the correct torque value.
100 Hours or Every Season	Check All Belts	<p>Replace worn or deteriorated belts.</p> <ul style="list-style-type: none"> • Check hydrostatic belt (see <i>REPLACING HYDROSTATIC BELT</i> on page 25 for hydrostatic belt location). • Check PTO belt (see <i>REPLACING PTO BELT</i> on page 24 for PTO belt location).

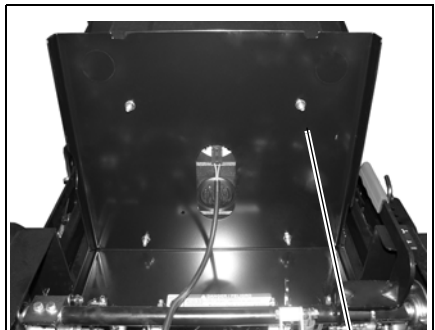
SERVICE AND ADJUSTMENTS



WARNING: AVOID INJURY. Read and understand the entire *Safety* section before proceeding.

TIPPING SEAT FORWARD

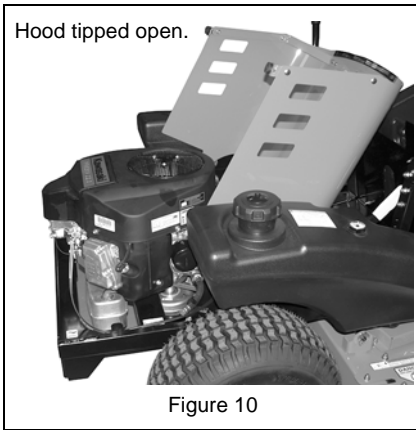
Put steering levers up and tip seat forward.



1. Seat Tipped Forward
Figure 9

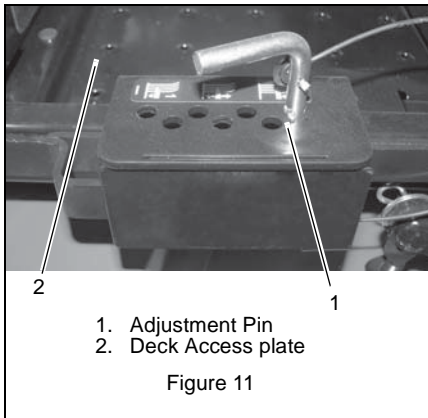
OPENING AND CLOSING HOOD

To open, pull up on the back of the hood until hood hits the hood stop and push down on back of hood to close (figure 10).



OPENING DECK ACCESS PLATE

1. Install adjustment pin in the first adjustment hole (figure 11).
2. Put parking brake on.
3. Raise deck access plate.



REPLACING MOWER BLADE

Remove (Figure 12)

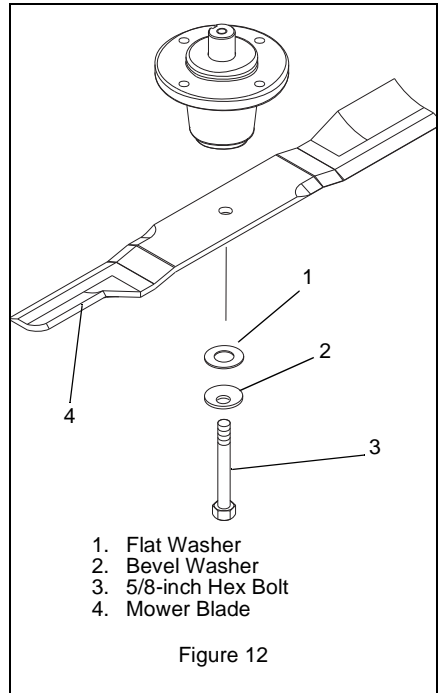


CAUTION: Mower blades are sharp and can cut you. Wrap the blades or wear gloves, and use extra caution when servicing them.

1. Block mower blades to prevent rotation.
2. Remove mounting hardware and mower blades from mower deck.

Install (Figure 12)

1. Install mower blades on mower deck with mounting hardware.
2. Torque 5/8-inch hex bolt to 80 to 120 lbf-ft (108 to 163 N•m).



LEVELLING AND ADJUSTING PITCH OF MOWER DECK

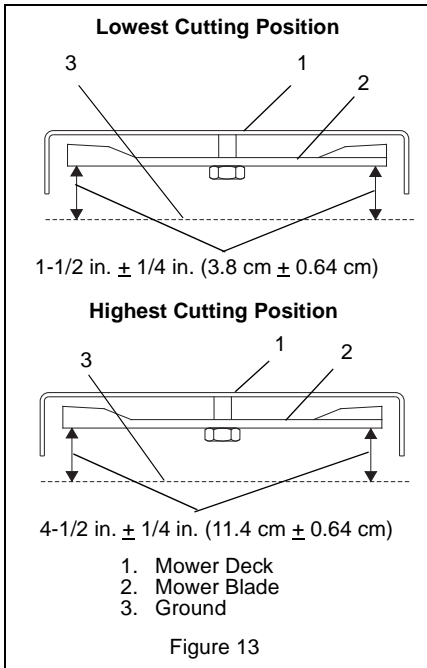
NOTE: Adjust on a level surface, with the tires inflated to the correct air pressure (see *SPECIFICATIONS* on page 30).

There are three measurements required to level and adjust the pitch of the mower deck.

1. The distance from the mower blades to the ground.
2. The forward pitch of the mower blades.
3. The pitch of the mower blades from side-to-side.

The Distance From The Mower Blades To The Ground (Figure 13):

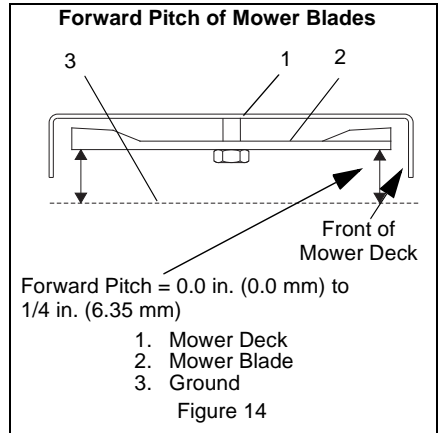
- In the lowest cutting position should be 1-1/2 in. \pm 1/4 in. (3.8 cm \pm 0.64 cm).
- In the highest cutting position should be 4-1/2 in. \pm 1/4 in. (11.4 cm \pm 0.64 cm).



The Forward Pitch Of The Mower Blades (Figure 14):

- Should be 0.0 in. (0.0 mm) to 1/4 in. (6.35 mm) pitched forward.

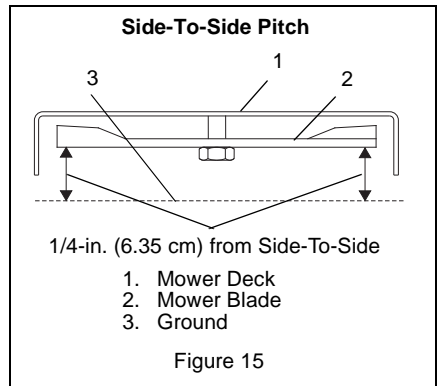
NOTE: This measurement must be taken when the mower blades ends are facing forward.



The Pitch Of The Mower Blades From Side-To-Side (Figure 15):

- Should be within 1/4 in. (6.35 mm) as measured on each side of the mower deck.

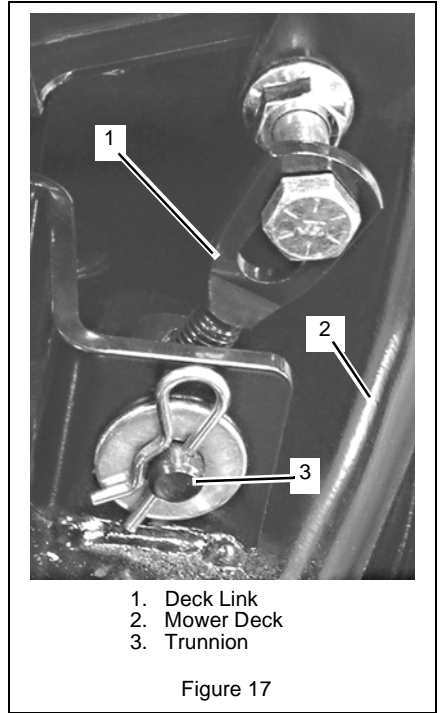
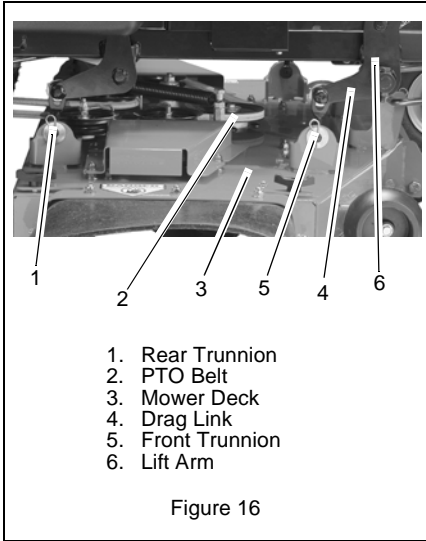
NOTE: This measurement must be taken when the mower blade ends are perpendicular (at a right angle) to the frame of the unit.



Adjusting The Mower Deck To Adjust Mower Blade Height And Pitch (Figure 17):

NOTE: Adjusting the mower deck will adjust the height and pitch of the mower blades.

1. Adjust the trunnions first and re-take the three measurements required to level and adjust the pitch of the mower deck. These measurements are:
 - a. The distance from the mower blades to the ground.
 - b. The forward pitch of the mower blades.
 - c. The pitch of the mower blades from side-to-side.
2. Repeat step 1 as needed until all three measurements are within the tolerances specified.



SERVICING BATTERY

NOTE: Unit comes equipped with a maintenance-free battery that requires no regular maintenance except cleaning the terminals and periodic charging.

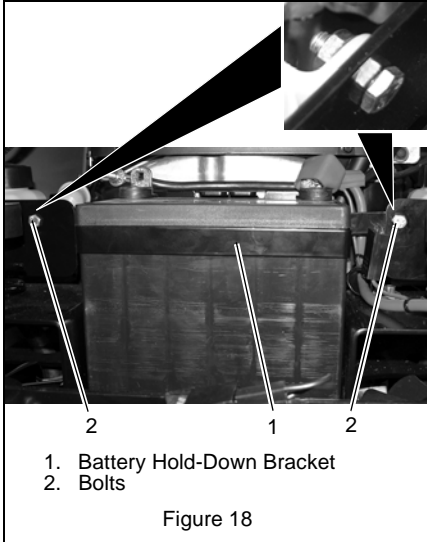


WARNING: Battery posts, terminals and related accessories contain lead and lead compounds, chemicals known to the State of California to cause cancer and reproductive harm. Wash hands after handling.

Battery Removal and Installation

Remove (Figure 18)

1. Tip seat forward (see *TIPPING SEAT FORWARD* on page 18).
2. Disconnect negative (-) cable first, then positive (+) cable.
3. Loosen and remove bolts.
4. Remove battery hold-down bracket and battery from unit.

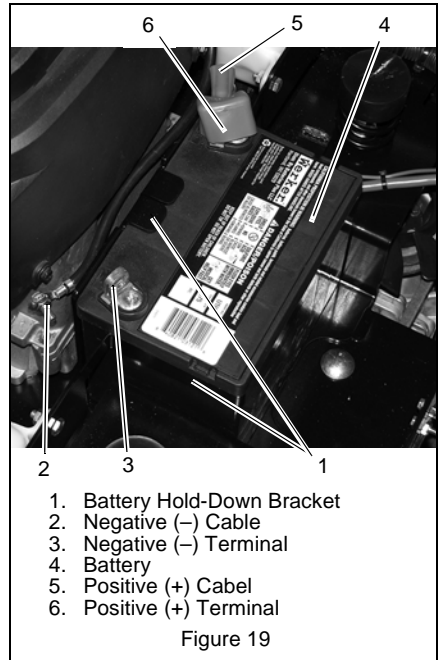


Install (Figure 19)

1. Install battery on the unit with battery hold-down bracket.
2. Connect positive (+) cable first, then negative (-) cable.
3. Apply petroleum jelly or dielectric grease to battery cable ends and terminals.
4. Tip seat back (see *TIPPING SEAT FORWARD* on page 18).

Cleaning Battery and Battery Cables (Figure 19)

1. Tip seat forward (see *TIPPING SEAT FORWARD* on page 18).
2. Disconnect negative (-) cable first, then positive (+) cable.
3. Clean battery cable ends, negative (-) terminal, and positive (+) terminal with a wire brush and rinse with a weak baking soda solution.
4. Connect positive (+) cable first, then negative (-) cable.
5. Apply petroleum jelly or dielectric grease to battery cable ends and terminals.
6. Tip seat back (see *TIPPING SEAT FORWARD* on page 18).



Charging the Battery (Figure 19)



WARNING: FROZEN BATTERIES CAN EXPLODE and result in death or serious injury. DO NOT charge a frozen battery. Let the battery thaw before charging.

Follow First Aid directions for contact with battery fluid.

- External Contact: Flush with water.
- Eyes: Flush with water for at least 15 minutes and get medical attention immediately!
- Internal Contact: Drink large quantities of water. Follow with Milk of Magnesia, beaten egg or vegetable oil. Get medical attention immediately!
- In case of internal contact, DO NOT induce vomiting!

IMPORTANT: DO NOT fast charge. Charging at a higher rate will damage or destroy battery.

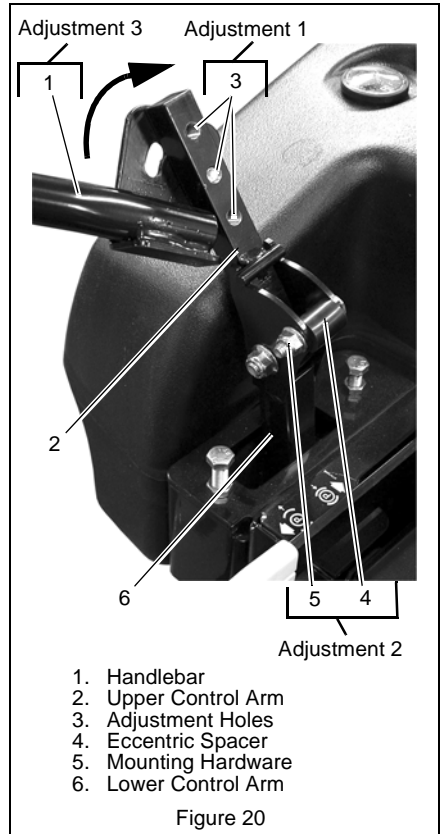
IMPORTANT: ALWAYS follow information provided on battery and battery charger. Contact battery and battery charger manufacturers for detailed instructions.

1. Remove battery from unit (see *Battery Removal and Installation* on page 22).
2. Place battery in a well-ventilated area.
3. Connect positive (+) lead of charger to positive (+) terminal, and negative (-) lead of charger to negative (-) terminal.
4. Charge battery according to battery charger and battery manufacturers' instructions.
5. Install battery on unit (see *Battery Removal and Installation* on page 22).

Jump-Starting

Ariens does not recommend jump-starting your unit. Jump-starting can damage engine and electrical system components. See your engine manual for more detailed information.

ADJUSTING STEERING LEVERS (Figure 20)



1. Handlebar
2. Upper Control Arm
3. Adjustment Holes
4. Eccentric Spacer
5. Mounting Hardware
6. Lower Control Arm

Figure 20

IMPORTANT: Adjust each steering lever equally.

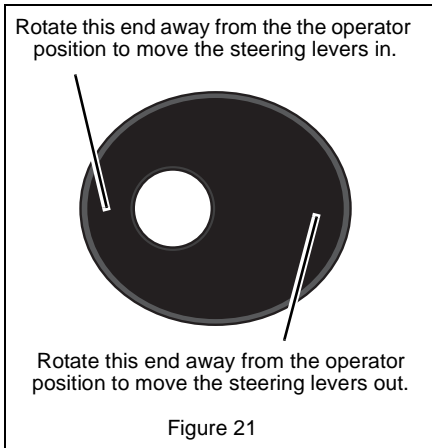
NOTE: When adjusting steering levers for the first time it is recommended that you make adjustments in the following order.

1. Adjust Steering Lever Height

1. Remove mounting hardware that attaches the handlebars to the upper control arm. Move handlebar up or down until the handlebar mounting holes are aligned with the preferred adjustment holes.
2. Install mounting hardware and tighten.

2. Adjust Steering Lever Width

1. Loosen hardware at the base of the lower control arm item 5.
2. Rotate eccentric spacer to move the levers away from or closer to the operators position (figure 21).



3. Adjust Steering Lever Forward or Backward

1. Loosen, do not remove, the bolts securing the handlebar to the upper control arm.
2. Slide steering lever forward or backward to desired position and tighten bolts.

NOTE: Tighten upper bolt first.

Forward and Reverse Speed Adjustment

(Figure 22)

IMPORTANT: The unit should track within 2 feet (0.61 m) of a straight line for 30 feet (9.14 m).

The travel of the steering levers may need adjustment if:

- The unit turns to the right or left when both steering levers are pushed as far forward as possible.
- The unit turns to the right or left when both steering levers are pulled back as far rearward as possible.

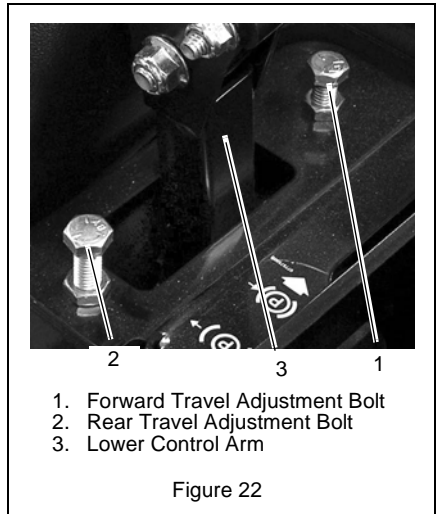
NOTE: The side the unit turns toward indicates that the wheel on that side is turning slower than the other wheel. Either the wheel that is turning faster needs to slow down or the wheel that is turning slower needs to be sped up to allow the unit to travel in a straight line.

1. Determine which way the unit turns.

NOTE: The forward travel adjustment bolt adjusts the rear travel of the steering lever. The rear travel adjustment bolt adjusts the forward travel of the steering lever.

2. Adjust speed by loosing jam nut and:
 - Turning adjustment bolt clockwise to decrease steering lever travel.

- Turning adjustment bolt counter clockwise to increase steering lever travel.



REPLACING PTO BELT

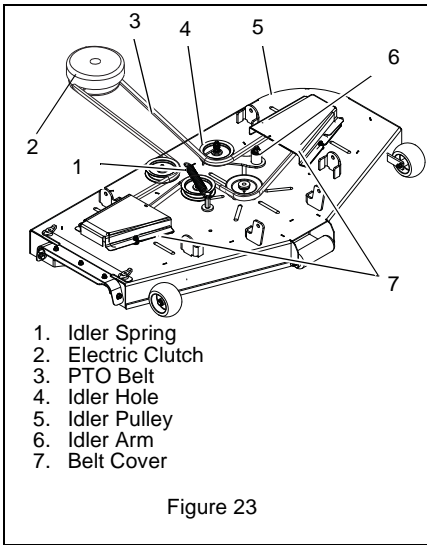
Remove (Figure 23)

1. Lower mower deck to the ground.
2. Remove belt covers from mower deck.



CAUTION: Use care when releasing idler spring tension. Keep body parts well away from idler when performing this operation.

3. Hook a puller into idler hole and pull idler arm towards outside of unit until tension is removed from PTO belt.



4. Remove PTO belt from left mower deck pulley.
5. Slowly release idler arm until tension is removed from idler spring.
6. Remove PTO belt from mower deck and electric clutch.

Install (Figure 23)

NOTE: Do not install PTO belt on left mower deck pulley in step 1.

1. Install PTO belt on electric clutch and mower deck.
2. Hook a puller into idler hole and pull idler arm towards outside of unit until PTO belt can be routed around left mower deck pulley.
3. Slowly release idler arm until idler pulley rests firmly against PTO belt.
4. Install belt covers on mower deck.

REPLACING HYDROSTATIC BELT

Remove (Figure 24)

1. Remove PTO belt (see *REPLACING PTO BELT* on page 24).
2. Disconnect electric clutch connector.
3. Remove clutch stop.

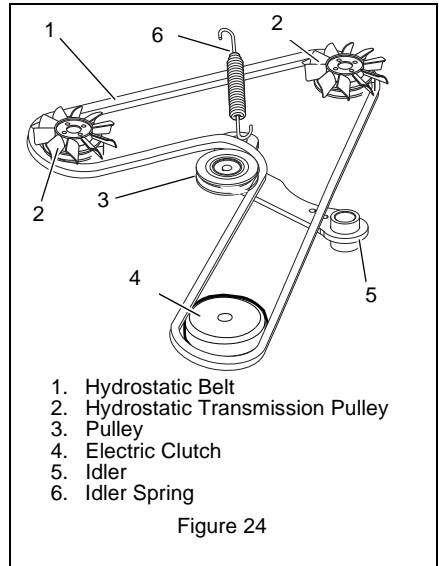


CAUTION: Use care when releasing idler spring tension. Keep body parts well away from idler when performing this operation.

4. Disconnect idler spring.
5. Remove hydrostatic belt from hydrostatic transmission pulleys, pulley, electric clutch, and idler.

Install (Figure 24)

1. Install hydrostatic belt on idler, electric clutch, pulley, and hydrostatic transmission pulleys.
2. Connect idler spring.
3. Install clutch stop.
4. Connect electric clutch connector.
5. Install PTO belt (see *REPLACING PTO BELT* on page 24).



Check Hydraulic Fluid Level

(Figure 25)

Check the system with the unit cold and parked on a flat, level surface.

Then run the unit for about one minute and recheck the levels.

To Add Hydraulic Fluid:

(Figure 25)

1. Remove the cap from the expansion tank.
2. Fill the expansion tank with 20W-50 engine oil with an SL API classification until oil level reaches the cold fill line on the tank.
3. Install the expansion tank cap and then purge the system. See "Purging the Hydraulic System" on page 26.

The hydraulic fluid should be at the cold fill line of the expansion tank.

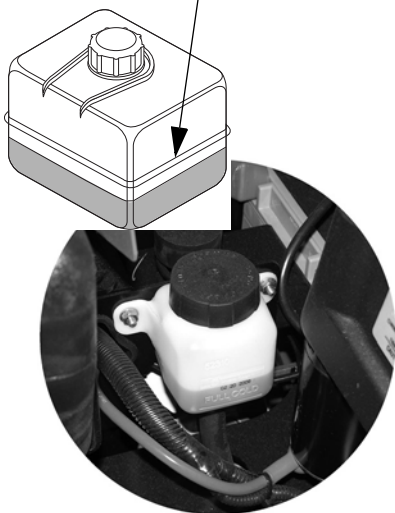


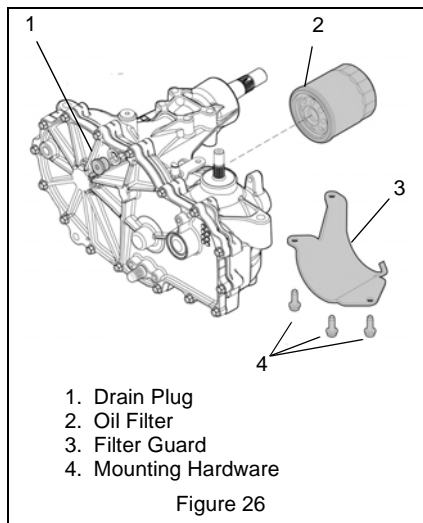
Figure 25

Change Hydraulic Fluid and Filter

(Figure 26)

NOTE: Change hydraulic fluid and filter after the first 75 hours of operation and then every 400 hours. Use 20W-50 engine oil with an SL API classification.

1. Place container under oil filter to catch oil.
2. Remove the filter guard and oil filter from the transaxle.
3. Remove the oil drain plug or fitting from the inlet port and allow the transaxle to drain completely.
4. Clean the filter mounting surface and then lubricate rubber gasket on new oil filter with clean hydraulic oil.
5. Spin new oil filter onto filter housing until it makes contact. Tighten oil filter another 3/4 turn.
6. Install the filter guards removed in step 2. Tighten the mounting screws to 65 lbf-in (7.3 N•m).
7. Fill with 20W-50 engine oil with an SL API classification until oil appears at the bottom of the drain plug (about 2 quarts per transaxle). Install the drain plug and tighten it to 180 lbf-in (20.3 N•m).
8. Repeat steps 1–7 for the other transaxle.
9. Follow the instructions in “To Add Hydraulic Fluid:” on page 25.



1. Drain Plug
2. Oil Filter
3. Filter Guard
4. Mounting Hardware

Figure 26

Purging the Hydraulic System



WARNING: This adjustment requires operating the engine. Use extreme care to avoid contact with moving parts and hot surfaces. Be sure rear of unit is well supported and secure before starting engine.

1. With the unit up to and facing a wall, jack up the unit so that both drive wheels are off the ground.
2. Disengage the parking brake and put the transaxle bypass levers in the neutral position (see *MOVING UNIT MANUALLY* on page 16).
3. Start the engine and slowly move the steering levers in forward and reverse five or six times.
4. Stop the engine and put the transaxle bypass levers in the drive position (see *MOVING UNIT MANUALLY* on page 16).
5. Start the engine and slowly move the steering levers in forward and reverse five or six times.
6. Stop the engine, check the oil level and add oil as needed.
7. Repeat steps 2–6 until the transaxles operate smoothly in forward and reverse at normal speeds without excessive noise.

STORAGE

Short Term Storage

IMPORTANT: NEVER clean unit with high-pressure water or store unit outdoors. Remove all dirt, grease, leaves, etc. Store in a clean dry area. Inspect unit for signs of wear or damage. Ensure all fasteners are properly tightened.

Long Term Storage

Follow all instructions under *Short Term Storage*.

Remove and fully charge battery. Store in a clean dry area.

Refer to Engine Manual for the proper engine storage procedures.

Touch up all scratched or chipped paint surfaces.

Fuel System

Gasoline left in the fuel system for extended periods without a stabilizer will deteriorate, resulting in gum deposits in the system. These deposits can damage the carburetor and the fuel hoses, filter and tank. Prevent deposits from forming in the fuel system during storage by adding a quality fuel stabilizer to the fuel. Follow the recommended mix ratio found on the fuel stabilizer container.

To treat the fuel system for storage:

1. Add fuel stabilizer according to manufacturers's instructions.
2. Run engine for at least 10 minutes after adding stabilizer to allow it to reach the carburetor.

NEVER store the engine with fuel in the fuel tank inside of a building with potential sources of ignition.

TROUBLESHOOTING

PROBLEM	PROBABLE CAUSE	CORRECTION
Engine will not crank/start.	<ol style="list-style-type: none"> 1. Safety interlock system is not engaged or is faulty. 2. Fuel tanks empty. 3. Discharged battery. 4. Poor connection between battery and battery cables. 5. Spark plug wire(s) loose or spark plug(s) faulty. 6. Faulty electrical system. 7. Faulty engine. 	<ol style="list-style-type: none"> 1. Check safety interlock system (see <i>Safety Interlock System</i> on page 13). 2. Fill fuel tanks (see <i>FILLING FUEL TANK</i> on page 15). 3. Charge battery (see <i>Charging the Battery</i> on page 23). 4. Tighten battery cables and/or clean battery and battery cables (see <i>Cleaning Battery and Battery Cables</i> on page 22). 5. Connect spark plug wire(s) or replace spark plug(s). Refer to Engine Manual for detailed instructions. 6. Contact your Ariens Dealer. 7. Contact your Ariens Dealer.

PROBLEM	PROBABLE CAUSE	CORRECTION
Engine runs rough.	<ol style="list-style-type: none"> 1. Choke engaged. 2. Air filter cartridge plugged. 3. Faulty engine. 	<ol style="list-style-type: none"> 1. Disengage choke. 2. Clean or replace air filter cartridge. Refer to Engine Manual for detailed instructions. 3. Contact your Ariens Dealer.
Unit does not move with engine running when using steering levers.	<ol style="list-style-type: none"> 1. The transmission bypass lever is engaged. 2. Faulty hydrostatic belt. 3. Faulty transmission. 	<ol style="list-style-type: none"> 1. Disengage transmission bypass lever (see on page 17). 2. Replace hydrostatic belt (see <i>REPLACING HYDROSTATIC BELT</i> on page 25). 3. Contact your Ariens Dealer.
PTO or mower blades do not engage or shuts off.	<ol style="list-style-type: none"> 1. Operator presence switch not depressed. 2. Faulty operator presence switch. 3. Electric clutch connector is loose or disconnected. 4. Faulty PTO belt. 5. Faulty PTO switch, wires, connectors, or clutch. 	<ol style="list-style-type: none"> 1. Depress operator presence switch by sitting on seat. 2. Contact your Ariens Dealer. 3. Connect the electric clutch connector. See <i>REPLACING HYDROSTATIC BELT</i> on page 25 for the electric clutch connector location. 4. Replace PTO belt (see <i>REPLACING PTO BELT</i> on page 24). 5. Contact your Ariens Dealer.
Engine overheats.	<ol style="list-style-type: none"> 1. Engine oil level low. 2. Cooling system plugged. 3. Faulty engine. 	<ol style="list-style-type: none"> 1. Add engine oil. Refer to Engine Manual for detailed instructions. 2. Clean cooling system. Refer to Engine Manual for detailed instructions. 3. Contact your Ariens Dealer.
Unit moves with engine off and parking brake engaged.	<ol style="list-style-type: none"> 1. The parking brake needs adjustment. 2. Faulty parking brake. 	<ol style="list-style-type: none"> 1. Contact your Ariens Dealer. 2. Contact your Ariens Dealer.
Hour meter continues when engine not running.	<ol style="list-style-type: none"> 1. Ignition key is in the run position with engine turned off. 	<ol style="list-style-type: none"> 1. Turn ignition key to the off position.

PROBLEM	PROBABLE CAUSE	CORRECTION
Unit does not travel in a straight line.	<ol style="list-style-type: none"> 1. Incorrect tire pressure. 2. Steering levers need adjustment. 3. Hydrostatic transmission and/or linkage needs adjustment. 	<ol style="list-style-type: none"> 1. Check tire pressure (see <i>SPECIFICATIONS</i> on page 30) 2. Adjust steering levers (see <i>Forward and Reverse Speed Adjustment</i> on page 24) 3. Contact your Ariens Dealer.
Unit creeps with steering levers in neutral position.	<ol style="list-style-type: none"> 1. Hydrostatic transmission and/or linkage needs adjustment. 	<ol style="list-style-type: none"> 1. Contact your Ariens Dealer.
Poor cutting quality.	<ol style="list-style-type: none"> 1. Mower deck not level or mower pitch is incorrect. 2. Dull or faulty mower blades. 	<ol style="list-style-type: none"> 1. Level and adjust pitch of mower deck (see <i>The Distance From The Mower Blades To The Ground (Figure 13)</i>: on page 20). 2. Sharpen mower blades or replace mower blades (see <i>REPLACING MOWER BLADE</i> on page 19).

SERVICE PARTS

Be sure to always use genuine Ariens parts to keep your unit running like new.

Part No.	Qty	Description
21547800	1	Spark Plug
21547900	1	Fuel Filter
21548000	1	Air Filter
21548100	1	Engine Oil Filter
21545100	1	Hydraulic Oil Filter
02961600	1	42-Inch Mower Blade
03288600	1	42-Inch Mulching Blade
02982000	1	48-Inch Mower Blade
00273000	1	48-Inch Mulching Blade
02961700	1	54-Inch Mower Blade
03288700	1	54-Inch Mulching Blade
07242200	1	Hydrostatic Belt
07200037	1	42-Inch PTO Belt
07200436	1	48-Inch PTO Belt
07200023	1	54-Inch PTO Belt

ACCESSORIES

See your authorized Ariens dealer to add these optional accessories to your unit.

Part No.	Description
71502900	Dump Cart
71509000	42-Inch Mulch Kit
71508700	48-Inch Mulch Kit
71509100	54-Inch Mulch Kit
71503200	48-Inch Aerator
71503300	36-Inch Roller
71503400	48-Inch Dethatcher
71510300	15-Gallon Sprayer
71503600	Spreader
71509200	Sunshade
71503800	48-Inch Lawn Sweeper
81502200	3-Bag Powered Bagger
71509300	Trailer Hitch
71509400	Light Kit

SPECIFICATIONS

Model Number	915163	915165	915167
Model	Zoom XL 42	Zoom XL 48	Zoom XL 54
Engine	Kawasaki FR651	Kawasaki FR691	
Displacement - in. ³ (cc)	45.5 (746)		
Max Governed RPM (May be different from maximum RPM)	3600 + 0 3600 – 50		
Speed			
Forward Max. - m.p.h (km/h)	6.5 (10.46)		
Reverse Max. - m.p.h (km/h)	3 (3.2)		
Turning Radius	Zero		
Brakes	Internal Transmission		
Electrical			
Starter	Electric		
Battery	12 Volt Maintenance Free		
PTO (Power Take Off)	Electric Clutch/Brake		
Fuel			
Fuel Type	Refer to Engine Manual		
Fuel Tank Capacity - gal. (L)	4.5 (17.0)		
Transmission	Hydrostatic Drive		
Size and Weight			
Length - in. (cm)	68 (173)		
Width - in. (cm)	44 (111.8)	49 (124.5)	56 (142.2)
Weight - lbs (Kg)	656 (297.6)	667 (302.5)	680 (308.4)
Height - in. (cm)	41 (109)		
Tires			
Front Tire Size - in.	11 x 4		
Rear Tire Size - in.	20 x 8	20 x 10	
Front Tire Pressure - psi (kPa)	46 (317)		
Rear Tire Pressure - psi (kPa)	10 (69)		
Mower Deck			
Cutting Height - in. (cm)	1-1/2 – 4-1/2 (3.81 - 11.4)		
Cutting Width - in. (cm)	42 (107)	48 (122)	54 (137)
Max. Towing Capacity - lbs (kg)	300 (136)		
Max. Tongue Weight - lbs (kg)	30 (13.6)		

CALIFORNIA AND EPA (UNITED STATES ENVIRONMENTAL PROTECTION AGENCY) EVAPORATIVE EMISSION CONTROL WARRANTY STATEMENT

YOUR WARRANTY RIGHTS AND OBLIGATIONS

The CARB (California Air Resources Board), the EPA, and Ariens Company are pleased to explain the evaporative emission control system's warranty on your 2011 model year small off-road equipment. In California, new equipment that uses small off-road engines must be designed, built, and equipped to meet the State's stringent anti-smog standards. Ariens Company must warrant the evaporative emission control system on your small off-road equipment for the period listed below provided there has been no abuse, neglect or improper maintenance of your equipment.

Your evaporative emission control system may include parts such as: fuel tanks, fuel lines, fuel caps, valves, canisters, filters, vapor hoses, clamps, connectors, and other associated components.

MANUFACTURER'S WARRANTY COVERAGE:

This evaporative emission control system is warranted for two years. If any evaporative emission-related part on your equipment is defective, the part will be repaired or replaced by Ariens Company.

OWNER'S WARRANTY RESPONSIBILITIES:

- As the small off-road equipment owner, you are responsible for the performance of the required maintenance listed in your Owner's Manual. Ariens Company recommends that you retain all receipts covering maintenance on your small off-road equipment, but Ariens Company cannot deny warranty solely for the lack of receipts.
- As the small off-road equipment owner, you should however be aware that the Ariens Company may deny you warranty coverage if your evaporative emission control system part has failed due to abuse, neglect, or improper maintenance or unapproved modifications.
- You are responsible for presenting your small off-road equipment to an authorized Ariens, Gravely, or Parker service representative as soon as the problem exists. The warranty repairs should be completed in a reasonable amount of time, not to exceed 30 days. If you have a question regarding your warranty coverage, you should contact Ariens Company Technical Service Center at 1-920-756-4688.

DEFECTS WARRANTY REQUIREMENTS:

- (a.) The warranty period begins on the date the small off-road equipment is delivered to an ultimate purchaser.
- (b.) General Evaporative Emissions Warranty Coverage. Ariens Company warrants to the ultimate purchaser and any subsequent owner that the evaporative emission control system when installed was:
 - (1.) Designed, built, and equipped so as to conform with all applicable EPA and CARB regulations; and
 - (2.) Free from defects in materials and workmanship that causes the failure of a warranted part for a period of two years.
- (c.) The warranty on evaporative emissions-related parts will be interpreted as follows:
 - (1.) Any warranted part that is not scheduled for replacement as required maintenance in the written instructions must be warranted for the warranty period defined in subsection (b)(2). If any such part fails during the period of warranty coverage, it must be repaired or replaced by the Ariens Company. Any such part repaired or replaced under the warranty must be warranted for a time not less than the remaining warranty period.
 - (2.) Any warranted part that is scheduled only for regular inspection in the written instructions must be warranted for the warranty period defined in subsection (b)(2). A statement in such written instructions to the effect of "repair or replace as necessary" will not reduce the period of warranty coverage. Any such part repaired or replaced under warranty must be warranted for a time not less than the remaining warranty period.
 - (3.) Any warranted part that is scheduled for replacement as required maintenance in the written instructions must be warranted for the period of time prior to the first scheduled replacement point for that part. If the part fails prior to the first scheduled replacement, the part must be repaired or replaced by the Ariens Company. Any such part repaired or replaced under warranty must be warranted for a time not less than the remainder of the period prior to the first scheduled replacement point for the part.

- (4.) Repair or replacement of any warranted part under the warranty provisions of this article must be performed at no charge to the owner at an authorized Ariens, Gravely, or Parker service representative.
- (5.) Notwithstanding the provisions of subsection (4) above, warranty services or repairs must be provided at authorized Ariens, Gravely, or Parker service representatives that are franchised to service the subject small off-road equipment.
- (6.) The owner must not be charged for diagnostic labor that leads to the determination that a warranted part is in fact defective, provided that such diagnostic work is performed at an authorized Ariens, Gravely, or Parker service representative.
- (7.) Throughout the evaporative emission control system's warranty period set out in subsection (b)(2), the Ariens Company must maintain a supply of warranted parts sufficient to meet the expected demand for such parts.
- (8.) Manufacturer-approved replacement parts must be used in the performance of any warranty maintenance or repairs and must be provided without charge to the owner. Such use will not reduce the warranty obligations of the manufacturer issuing the warranty.
- (9.) The use of any add-on or modified parts will be grounds for disallowing a warranty claim made in accordance with this article. The manufacturer issuing the warranty will not be liable under this Article to warrant failures of warranted parts caused by the use of an add-on or modified part.

Evaporative Emission Warranty Parts List

The following parts are considered emission-related components for evaporative emissions:

- Fuel Tank, Fuel Cap and Tether
- Fuel Line, Fuel Line Fittings, Clamps*
- Pressure Relief Valves, Control Valves*
- Control Solenoids*, Electronic Controls*
- Vacuum Control Diaphragms*
- Control Cables*, Control Linkages*
- Purge Valves
- Vapor Hoses, Liquid/Vapor Separator
- Carbon Canister, Canister Mounting Brackets
- Carburetor Purge Port Connector

* As related to the evaporative emission control system

Disclaimer

New equipment sold in the state of California that uses small off-road engines must be exclusively certified and appropriately labeled for sale in California. Some equipment covered by this Owner's Manual may not be certified for sale in California and the presence of the preceding CARB and EPA Warranty Statement does not by its existence indicate which, if any, of the equipment covered by this Owner's Manual may be sold in California.

Some equipment covered by this Owner's Manual may have been manufactured prior to certain affectivity dates requiring the inclusion of evaporative emission control systems. Therefore some equipment covered by this Owner's Manual may not include the evaporative emission control systems referred to in the preceding CARB and EPA Warranty Statement.



Two-Year Limited Lawn and Garden Consumer Ride-On Warranty

Ariens Company (Ariens) warrants to the **original purchaser** that Ariens, Gravely and Countax brand consumer products manufactured and sold by Ariens will be free from defects in material and workmanship for a period of two years after the date of purchase. An authorized Ariens dealer (Ariens brand products), Gravely dealer (Gravely brand products), or Countax dealer (Countax brand products) will repair any defect in material or workmanship, and repair or replace any defective part, subject to the conditions, limitations and exclusions set forth herein. Such repair or replacement will be free of charge (labor and parts) to the original purchaser except as noted below.

Five-Year Limited Warranty on Mower Deck Shell

The deck shell on zero-turn riding mowers is warranted to the **original purchaser** for five years from the date of purchase. Any defect in material or workmanship of the deck shell will be repaired free of charge (parts and labor) to the original purchaser for two years after the date of purchase. For the third through fifth year from the date of purchase, the parts required to repair a defect in material or workmanship of the deck shell, not the labor, will be provided free of charge.

Five-Year Limited Warranty on Main Frame

The main frame on zero-turn riding mowers is warranted to the **original purchaser** for five years from the date of purchase. Any defect in material or workmanship of the main frame will be repaired free of charge (parts and labor) to the original purchaser for two years after the date of purchase. For the third through fifth year from the date of purchase, the parts required to repair a defect in material or workmanship of the main frame, not the labor, will be provided free of charge.

Two-Year Limited Warranty on AMP™ Series Battery Packs and Subassemblies

The battery pack and/or battery subassemblies on AMP series electric riding mowers is/are warranted to the **original purchaser** for two years from the date of purchase. Ariens will replace, free of charge to the original purchaser, any battery pack and/or battery subassembly that fails due to defect in material or workmanship for one year after the date of purchase. For the next 12 months, Ariens will cover the prorated cost of replacing a battery pack and/or battery subassembly that fails due to defect in material or workmanship. This warranty does not apply to battery packs or battery subassemblies that fail due to accident, neglect, abuse, improper maintenance, improper storage or improper charging procedures.

90-Day Limited Warranty on Service Parts and Accessories

Genuine Ariens, Gravely or Countax brand service parts and accessories are warranted to be free from defects in material and workmanship for a period of 90 days after the date of purchase. An authorized Ariens, Gravely or Countax dealer will repair or replace any such part or accessory free of charge, except for labor, during that period.

The duration of all warranties herein applies only if the product is put to personal use around a household or residence. If the product is put to any business use, agricultural, commercial, or industrial, then the duration of these warranties shall be 90 days after the date of purchase. For Ariens Max Zoom and Gravely ZT HD models put to commercial use, the duration of these warranties, except for service parts and accessories, is one year from the date of purchase.

If any product is rented or leased, then the duration of these warranties shall be 90 days after the date of purchase.

Exceptions, Limitations, Exclusions

Customer Responsibilities

Register the product immediately at the time of sale. If the dealer does not register the product, the customer must complete the product registration card in the literature package and return it to the Ariens Company, or register the unit online at www.ariens.co, www.gravely.com, www.countax.com.

To obtain warranty service, the **original purchaser** must:

- Perform the maintenance and minor adjustments explained in the owner's manual.
- Promptly notify Ariens or an authorized Ariens, Gravely or Countax service representative of the need for warranty service.
- Transport the product to and from the place of warranty service.
- Have the warranty service performed by an authorized Ariens, Gravely or Countax service representative.

To find an Ariens or Gravely authorized service representative, contact Ariens at:

655 W. Ryan Street
Brillion, WI 54110
(920) 756 - 4688
www.ariens.com
www.gravely.com

To find a Countax authorized service representative, contact Countax at:

Countax Ltd
Countax House
Great Haseley
Oxfordshire
OX44 7PF
0800 597 7777
www.countax.com

Exceptions and Limitations

- Batteries are warranted only for a period of 12 months after date of purchase, on a prorated basis. For the first 90 days of the warranty period, a defective battery will be replaced free of charge. If the applicable warranty period is more than 90 days, Ariens Company will cover the prorated cost of any defective battery, for up to 12 months after the date of purchase. This battery limited warranty does not apply to the battery packs on AMP series products.

Exclusions – Items Not Covered by This Warranty

- Engines and engine accessories are covered only by the engine manufacturer's warranty and are not covered by this warranty.
- Parts that are not genuine Ariens, Gravely or Countax service parts are not covered by this warranty.
- The following maintenance, service and replacement items are not covered by this warranty unless they are noted in the Limitations section above: lubricants, spark plugs, oil, oil filters, air filters, fuel filters, brake linings, brake arms, brake shoes, runners, scraper blades, shear bolts, mower blades, mower vanes, headlights, light bulbs, knives, cutters.
- Any misuse, alteration, improper assembly, improper adjustment, neglect, or accident which requires repair is not covered by this warranty.

Disclaimer

Ariens Company may from time to time change the design of its products. Nothing contained in this warranty shall be construed as obligating the Ariens Company to incorporate such design changes into previously manufactured products, nor shall such changes be construed as an admission that previous designs were defective.

LIMITATION OF REMEDY AND DAMAGES

Ariens Company's liability under this warranty, and under any implied warranty that may exist, is limited to repair of any defect in workmanship, and repair or replacement of any defective part. Ariens Company shall not be liable for incidental, special, or consequential damages (including lost profits). Some states do not allow the exclusion of incidental or consequential damages, so the above limitation or exclusion may not apply to you.

DISCLAIMER OF FURTHER WARRANTY

Ariens Company makes no warranty, express or implied, other than what is expressly made in this warranty. If the law of your state provides that an implied warranty of merchantability, or an implied warranty of fitness for particular purpose, or any other implied warranty, applies to Ariens Company, then any such implied warranty is limited to the duration of this warranty. Some states do not allow limitations on how long an implied warranty lasts, so the above limitation may not apply to you.

This warranty gives you specific legal rights, and you may also have other rights which vary from region to region.



Ariens Company
655 West Ryan Street
Brillion, WI 54110-1072
920-756-4688
Fax 920-756-2407
www.ariens.com



WARNING



The engine exhaust from this product contains chemicals known to the State of California to cause cancer, birth defects or other reproductive harm.

An *Ariens* Company Brand