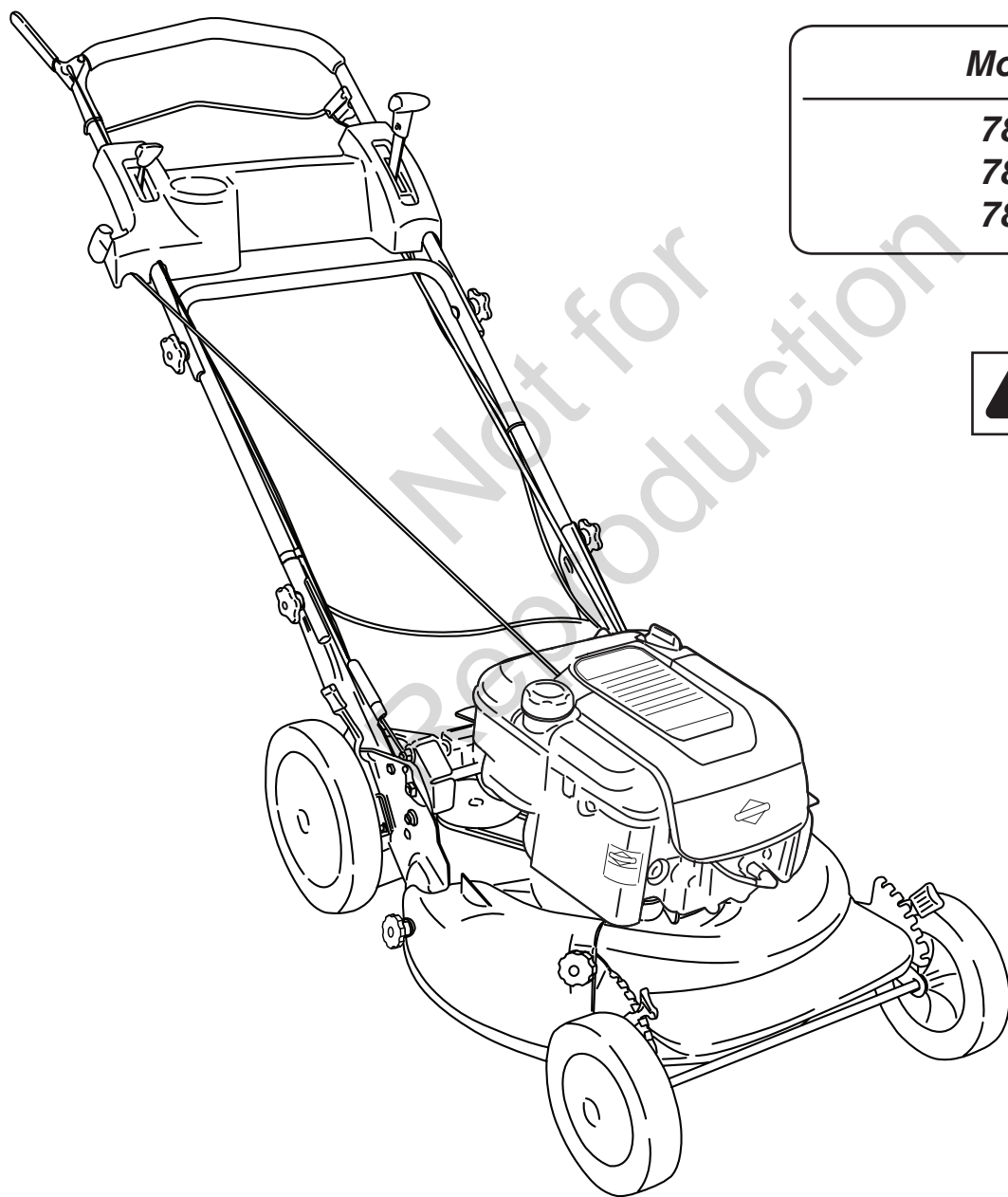


Operator's Manual



**21" Steel Deck Walk Mowers
Series 20**



<i>Model No.</i>
7800841
7800842
7800845



Thank You for purchasing this quality-built Snapper mower. We're pleased that you placed your confidence in the Snapper brand. When operated and maintained according to the instructions in this manual, your Snapper mower will provide many years of dependable service.

This manual contains safety information to make you aware of the hazards and risks associated with the machine and how to avoid them. This machine is designed and intended only for finish cutting of established lawns and is not intended for any other purpose. It is important that you read and understand these instructions thoroughly before attempting to start or operate this equipment. **Save these original instructions for future reference.**

Date of Purchase _____

Retailer _____

Retailer's Phone Number _____

Equipment

Model Number _____

Serial Number _____

Engine

Model _____ Type _____ Code _____

Not for
Reproduction


Copyright © 2012 Briggs & Stratton Power Products Group, LLC.
Milwaukee, WI, USA. All rights reserved.

SNAPPER is a trademark of
Briggs & Stratton Power Products Group, LLC.


Table of Contents

Operator Safety	4
Features and Controls	10
Operation	11
Before Starting	11
Oil Recommendations	11
Fuel Recommendations	12
Starting the Mower	12
Propelling the Mower	12
Stopping the Mower	13
Handle Height Adjustment	13
Cutting Height Adjustment	13
Mulching Operation	14
Installing the Discharge Deflector	14
Installing the Grass Bag	15
Maintenance	17
Maintenance Chart	17
Change Engine Oil	18
Service Air Filter	18
Check Safety Interlock System	19
Clean Debris Off Mower	19
Storage Procedure	19
Service	20
Troubleshooting	28
Warranties	29
Slope Guide	31


Not for
Reproduction




WARNING




It is a violation of California Public Resource Code, Section 4442, to use or operate the engine on any forest-covered, brush-covered, or grass-covered land unless the exhaust system is equipped with a spark arrester, as defined in Section 4442, maintained in effective working order. Other states or federal jurisdictions may have similar laws. Contact the original equipment manufacturer, retailer, or dealer to obtain a spark arrester designed for the exhaust system installed on this engine.




WARNING



Battery posts, terminals and related accessories contain lead and lead compounds, chemicals known to the State of California to cause cancer and birth defects or other reproductive harm. Wash hands after handling.



WARNING



Engine exhaust, some of its constituents, and certain vehicle components contain or emit chemicals known to the State of California to cause cancer or other reproductive harm.

Operator Safety



Operating Safety

Power equipment is only as safe as the operator. If it is misused, or not properly maintained, it can be dangerous! Remember, you are responsible for your safety and that of those around you.

Use common sense, and think through what you are doing. If you are not sure that the task you are about to perform can be safely done with the equipment you have chosen, ask a professional: contact your local authorized dealer.

Read the Manual

The operator's manual contains important safety information you need to be aware of BEFORE you operate your unit as well as DURING operation.

Safe operating techniques, an explanation of the product's features and controls, and maintenance information is included to help you get the most out of your equipment investment.

Be sure to completely read the Safety Rules and Information found on the following pages. Also completely read the Operation section.



Children

Tragic accidents can occur with children. Do not allow them anywhere near the area of operation. Children are often attracted to the unit and mowing activity. Never assume that children will remain where you last saw them. If there is a risk that children may enter the area where you are mowing, have another responsible adult watch them.

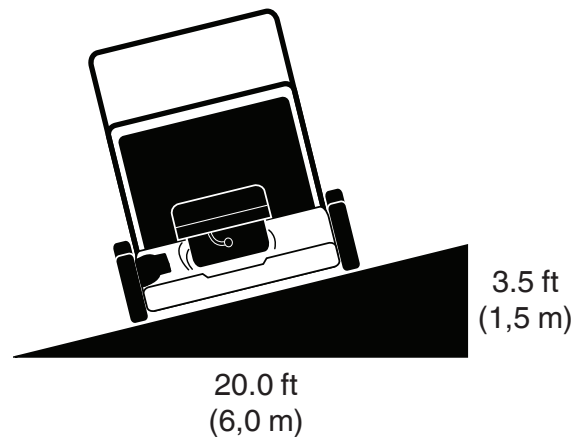
Slope Operation

You could be seriously injured or even killed if you use this unit on too steep an incline. Using the unit on a slope that is too steep or where you don't have adequate footing or traction can cause you to lose control or slip and fall.

You should not operate on inclines with a slope greater than 10 degrees, which is a 3.5 ft (1,5 m) rise over 20.0 ft (6,0 m). Always mow across slopes, never up and down.

Also note that the surface you are mowing can greatly impact control. Wet grass or leaves can seriously affect your footing and traction on a slope.

If you feel unsure about operating the unit on an incline, don't do it. It's not worth the risk.

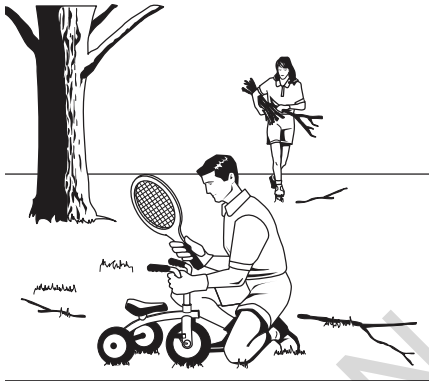
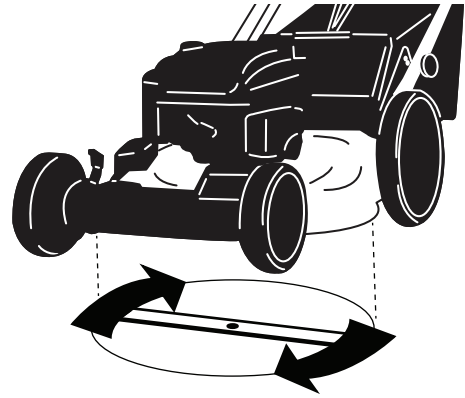


Moving Parts

This equipment has moving parts that can injure you or someone else. However, if you stand behind the handle properly and follow all the rules in this book, the unit is safe to operate.

The mower deck has a spinning mower blade that can amputate hands and feet. Do not allow anyone near the equipment while it is running!

To help you, the operator, use this equipment safely, it is equipped with an operator present safety system. Do NOT attempt to alter or bypass the system. See your dealer immediately if the system does not pass all the safety interlock system tests found in this manual.



Thrown Objects

This unit has a spinning mower blade. This blade can pick up and throw debris that could seriously injure a bystander. Be sure to clean up the area to be mowed BEFORE you start mowing.

Do not operate this unit without the entire grass catcher or discharge guard (deflector) in place.

Also, do not allow anyone in the area while the unit is running! If someone does enter the area, shut the unit off immediately until they leave.

Debris Accumulation

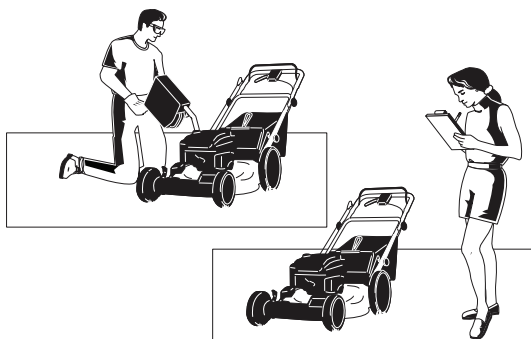
Accumulation of grass and debris can result in a fire. Be sure to clean any accumulation of grass and debris with a brush or compressed air, before and after operation.



Fuel and Maintenance

Gasoline is extremely flammable. Its vapors are also extremely flammable and can travel to distant ignition sources. Gasoline must only be used as a fuel, not as a solvent or cleaner. It should never be stored any place where its vapors can build up or travel to an ignition source like a pilot light. Fuel belongs in an approved, plastic, sealed gas can, or in the tractor fuel tank with the cap securely closed. Spilled fuel needs to be cleaned up immediately.

Proper maintenance is critical to the safety and performance of your unit. Be sure to perform the maintenance procedures listed in this manual, especially periodically testing the safety system.



Operator Safety



WARNING: This powerful cutting machine is capable of amputating hands and feet and can throw objects that can cause injury and damage! Failure to comply with the following SAFETY instructions could result in serious injury or death to the operator or other persons. The owner of the machine must understand these instructions and must allow only persons who understand these instructions to operate machine. Each person operating the machine must be of sound mind and body and must not be under the influence of any substance, which might impair vision, dexterity or judgment.

PROTECTION FOR CHILDREN

Tragic accidents can occur if the operator is not alert to the presence of children. Children are often attracted to the machine and the mowing activity. Never assume that children will remain where you last saw them.

1. KEEP children out of the mowing area and under the watchful care of a responsible adult other than the operator.
2. DO NOT allow children in yard when machine is operated and turn machine OFF if anyone enters the area.
3. DO NOT allow pre-teenage children to operate machine.
4. ALLOW only responsible adults & teenagers with mature judgment under close adult supervision to operate machine.
5. DO NOT pull mower backwards unless absolutely necessary. LOOK and SEE behind and down for children, pets and hazards before and while backing.
6. USE EXTRA CARE when approaching blind corners, shrubs, trees, or other objects that may obscure vision.

SLOPE OPERATION

1. Slopes are a major factor related to slip and fall accidents, which can result in severe injury. All slopes require extra caution. If you feel uneasy on a slope, DO NOT mow it.
2. Mow across slopes, never up-and-down. Exercise extreme CAUTION when changing directions on slopes. DO NOT mow steep slopes or other areas where stability or traction is in doubt. Refer to the Slope Guide at the back of this manual.
3. Use extra care with grass catchers or other attachments; these affect the handling and the stability of the machine.

PREPARATION

1. Read, understand, and follow instructions and warnings in this manual and on the mower, engine and attachments. Know the controls and the proper use of the mower before starting.
2. Only mature, responsible persons shall operate the machine and only after proper instruction.
3. Data indicates that operators age 60 and above, are involved in a large percentage of mower-related injuries. These operators should evaluate their ability to operate the mower safely enough to protect themselves and others from serious injury.

PREPARATION

(Continued From Previous Column)

4. Handle fuel with extra care. Fuels are flammable and vapors are explosive. Use only an approved fuel container. DO NOT remove fuel cap or add fuel with engine running. Add fuel outdoors only with engine stopped and cool. Clean spilled fuel and oil from machine. DO NOT smoke.
5. Check the area to be mowed and remove all objects such as toys, wire, rocks, limbs and other objects that could cause injury if thrown by blade or interfere with mowing. Also note the location of holes, stumps, and other possible hazards.
6. Keep people and pets out of the mowing area. Immediately, STOP Blade, Stop engine and Stop mower if anyone enters the area.
7. Check shields, deflectors, switches, blade controls and other safety devices frequently for proper operation and location.
8. Make sure all safety decals are clearly legible. Replace if damaged.
9. Protect yourself when mowing and wear safety glasses, long pants and substantial footwear. DO NOT mow barefooted or with sandals.
10. Know how to STOP blade and engine quickly in preparation for emergencies.
11. Use extra care when loading or unloading the machine into a trailer or truck.
12. Check grass catcher components frequently for signs of wear or deterioration and replace as needed to prevent injury from thrown objects going through weak or torn spots.

SAFE HANDLING OF GASOLINE

To avoid personal injury or property damage, use extreme care in handling gasoline. Gasoline is extremely flammable and the vapors are explosive.

1. Extinguish all cigarettes, cigars, pipes and other sources of ignition.
2. Use only an approved fuel container.
3. DO NOT remove fuel cap or add fuel with the engine running. Allow the engine to cool before refueling.
4. DO NOT refuel the machine indoors.
5. DO NOT store the machine or fuel container inside where there is an open flame, spark or pilot light such as on a water heater or other appliances.
6. DO NOT fill fuel containers inside a vehicle or on a truck or trailer bed with a plastic liner. Always place the containers on the ground away from the vehicle before filling.

SAFE HANDLING OF GASOLINE

(Continued From Previous Page)

7. Remove gas-powered equipment from the vehicle or trailer and refuel it on the ground. If this is not possible, then refuel equipment using a portable container, rather than a gasoline dispenser nozzle.
8. DO NOT start gas powered equipment in enclosed vehicles or trailers.
9. Keep the nozzle in contact with the rim of the fuel tank or container opening at all times until fueling is complete. DO NOT use a nozzle lock-open device
10. If fuel is spilled on clothing, change clothing immediately.
11. DO NOT overfill a fuel tank. Replace fuel cap and tighten securely.

OPERATION

1. DO NOT put hands or feet near or under rotating parts. Keep clear of discharge area while engine is running.
2. STOP engine when crossing gravel drives, walks, or roads, and under any conditions where thrown objects might be a hazard.
3. Mow only in daylight or good artificial light.
4. DO NOT operate mower while under the influence of alcohol or drugs.
5. After striking a foreign object or if mower vibrates abnormally, STOP the engine, disconnect and secure spark plug wire. Inspect the mower for any damage and repair the damage before starting.
6. DO NOT mow near drop offs, ditches or embankments. Operator could lose footing or balance.
7. STAY ALERT for holes and other hidden hazards. Tall grass can hide obstacles. Keep away from ditches, washouts, culverts, fences and protruding objects.
8. DO NOT mow on wet grass. Always be sure of your footing. Keep a firm hold on the handle and walk, never run. Slipping could cause injury.
9. ALWAYS stay behind handle when engine (motor) is running.
10. DO NOT leave the machine with the engine running. STOP BLADE and STOP ENGINE before leaving the operators position for any reason.
11. Before cleaning, repairing or inspecting make certain engine, blade and all moving parts have STOPPED. Disconnect and secure spark plug wire away from plug to prevent accidental starting.
12. STOP engine and wait until the blade comes to complete STOP before removing grass bag and/or clearing grass.
13. DO NOT operate mower without the entire grass catcher, rear guard, or other safety devices in place and working. DO NOT point discharge at people, passing cars, windows or doors.

OPERATION

(Continued From Previous Column)

14. DO NOT discharge material against a wall or obstruction. Material may ricochet back towards the operator.
15. Slow down before turning.
16. Watch out for traffic when near or crossing roadways.
17. DO NOT operate engine in enclosed areas. Engine exhaust gases contain carbon monoxide, a deadly poison.
18. Only use accessories approved by the manufacturer. See manufacturer's instructions for proper operation and installation of accessories.

MAINTENANCE AND STORAGE

1. DO NOT store mower or fuel container inside where fumes may reach an open flame, spark or pilot light such as in a water heater, furnace, clothes dryer or other gas appliance. Allow engine to cool before storing machine in an enclosure. Store fuel container out of reach of children in a well ventilated, unoccupied building.
2. Keep mower and engine free of grass, leaves or excess grease to reduce fire hazard and engine overheating.
3. When draining fuel tank, drain fuel into an approved container outdoors and away from open flame.
4. Keep all bolts, especially blade bolts, nuts and screws properly tight. Check that all cotter pins are in proper position.
5. Always provide adequate ventilation when running engine. Engine exhaust gases contain carbon monoxide, a deadly poison.
6. Service engine and make adjustments only when engine is stopped. Removed spark plug wire from spark plug and secure wire away from spark plug to prevent accidental starting.
7. DO NOT change engine governor speed settings or overspeed engine.
8. Check grass bag assembly frequently for wear or deterioration to avoid thrown objects and exposure to moving parts. Replace with new bag if loose seams or tears are evident. Replace slider or bag adapter if broken or cracked.
9. Mower blades are sharp and can cut. Wrap the blades or wear heavy leather gloves and use CAUTION when handling them.
10. DO NOT test for spark by grounding spark plug next to spark plug hole; spark plug could ignite gas exiting engine.
11. Have machine serviced by an authorized dealer at least once a year and have the dealer install any new safety devices.
12. Use only factory authorized replacement parts or like parts when making repairs.

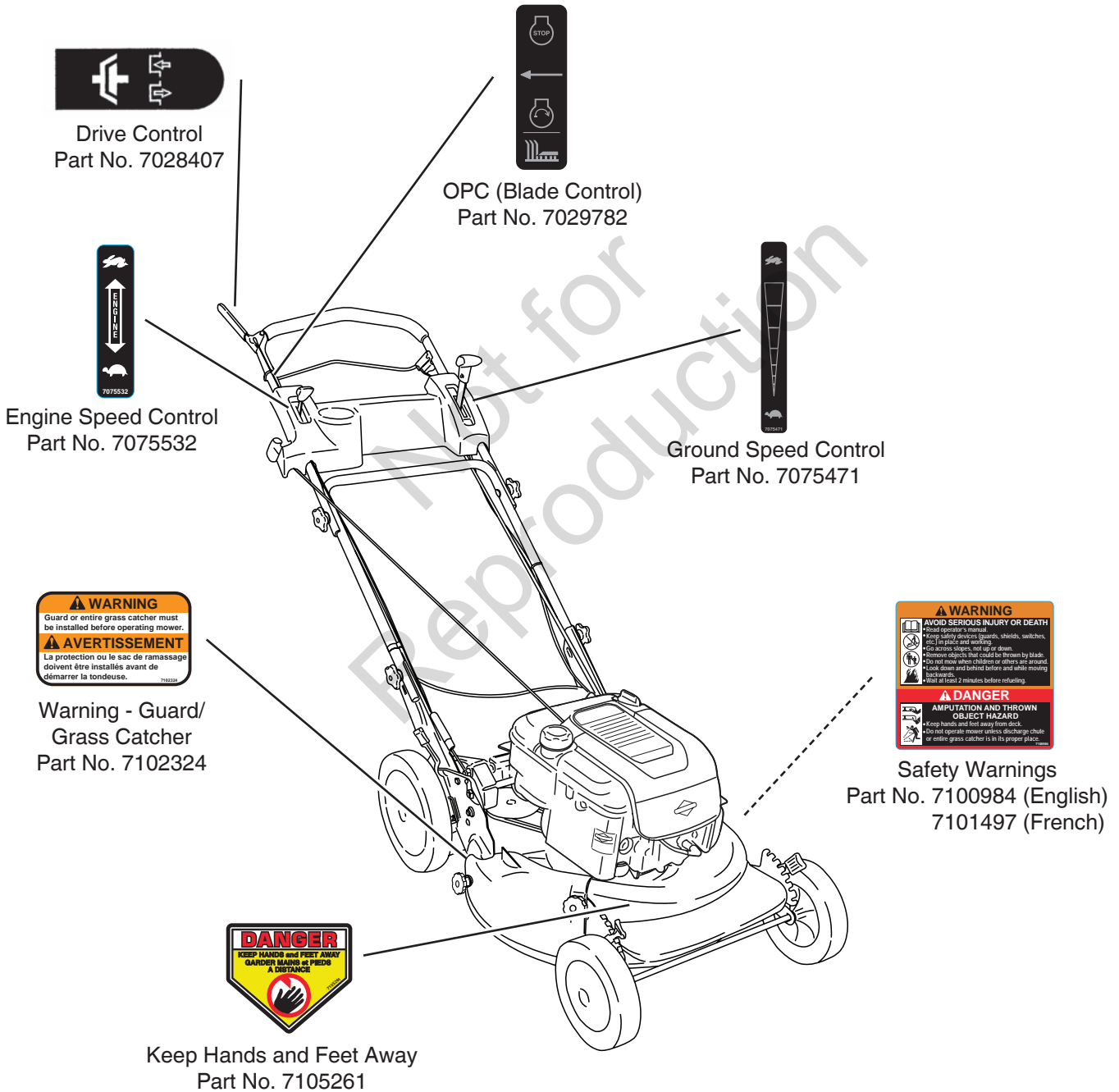
Operator Safety

Safety and Operation Decals

Reading this manual and the safety instructions it contains will provide the basic knowledge necessary to operate this mower safely and effectively. However, several safety and operation decals have also been placed on the mower as a reminder of this important information during operation.

The decals noted below are located on the mower. The safety warnings and operation instructions they contain should be carefully read, understood, and followed. **Not following these important warnings and instructions can result in serious bodily injury or death.**





If any of these decals are lost or damaged, replace them immediately. Contact your dealer for replacement decals.





Explanation of Safety Decals



A. WARNING: Avoid Serious Injury or Death

-  Read the operator's manual before attempting to operate the mower.
-  Mow across slopes, not up or down.
-  To avoid injury to others, do not mow when others, especially children, are around.
-  To reduce the potential for fire, wait at least 2 minutes before refueling.

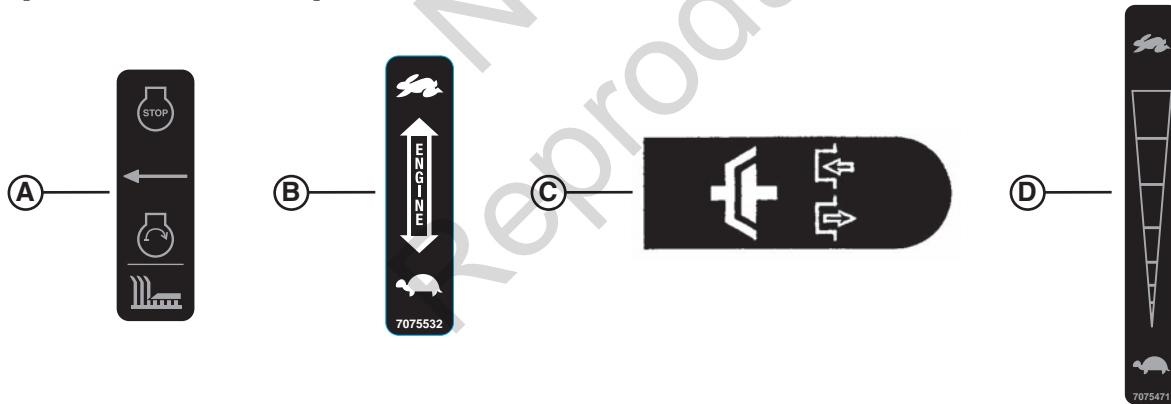
B. DANGER: Amputation and Thrown Object Hazard.

-  To avoid serious injury or death, keep hands and feet away from the mower deck at all times during operation.
-  To avoid injury from thrown objects, do not operate the mower unless all mulching, discharge, or bagging components are in their proper place.

C. DANGER: Keep Hands and Feet Away.

D. WARNING: Guard or Entire Grass Catcher Must Be Installed Before Operating Mower.

Explanation of Operation Decals



A. OPC (Blade Control)

- Squeeze blade control to start and run engine and blade.
- Release blade control to stop engine and blade.

B. Engine Speed Control

- Move engine speed control in direction indicated to increase or decrease engine speed.

C. Drive Control

- Squeeze drive control against handle to engage wheel drive.

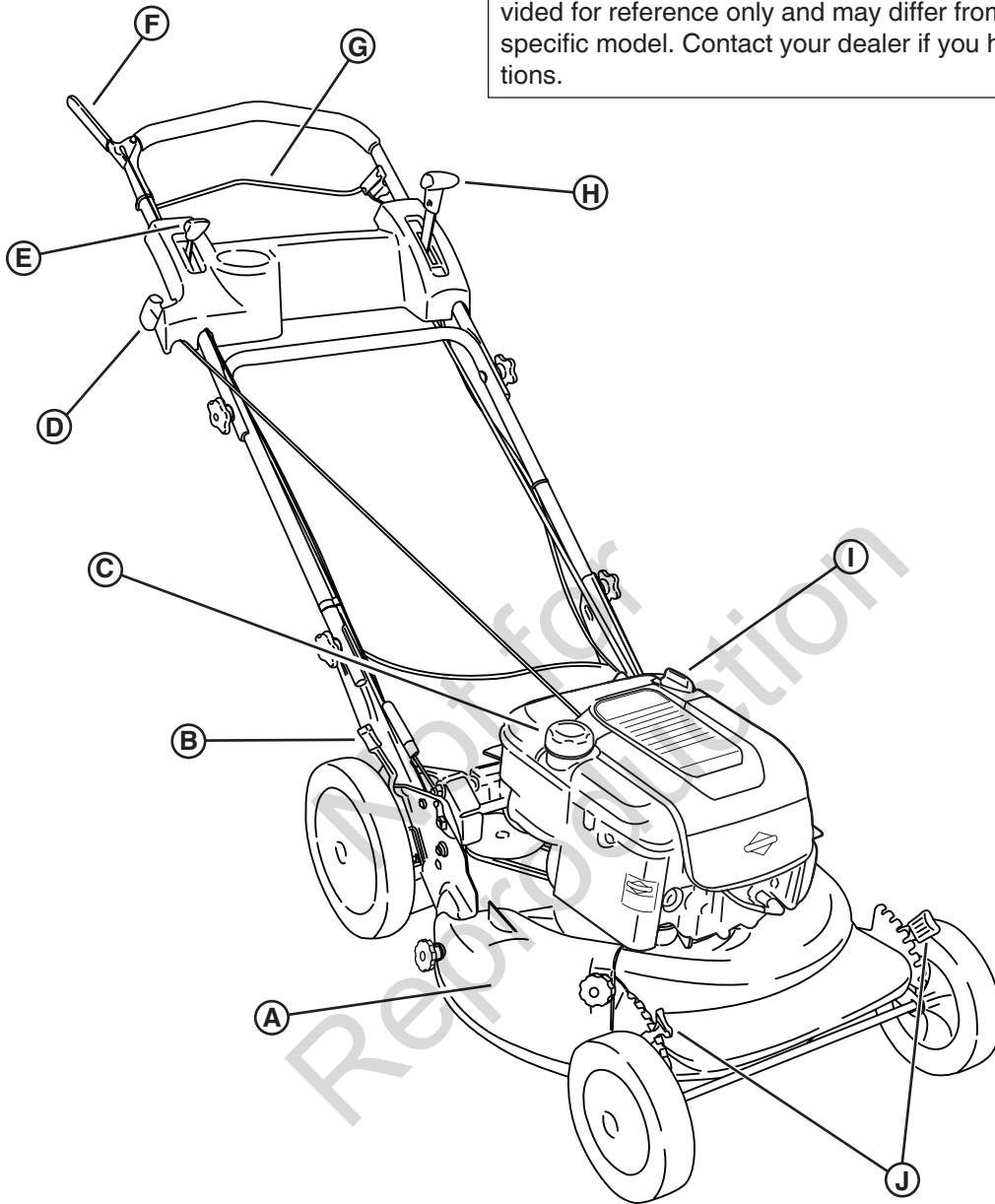
D. Ground Speed Control

- Move ground speed control toward Fast (Rabbit) to increase ground speed.
- Move ground speed control toward Slow (Turtle) to decrease ground speed.

Features and Controls

IMPORTANT

The figures and illustrations in this manual are provided for reference only and may differ from your specific model. Contact your dealer if you have questions.



- | | | | |
|----|----------------------------------|----|-----------------------------------|
| A. | Mulching Cover | F. | Drive Control |
| B. | Rear Height Adjustment Latch (2) | G. | Blade Control |
| C. | Fuel Filler Cap | H. | Ground Speed Control |
| D. | Rope Start Handle | I. | Oil Fill Cap and Dipstick |
| E. | Engine Speed Control | J. | Front Height Adjustment Latch (2) |

Before Starting

1. Check the guards, deflectors, grass bag, and covers to make sure all are in place and securely tightened.
2. Check the blade control (**A, Figure 1**), drive control (**B**), and ground speed control (**C**) to insure they work freely.

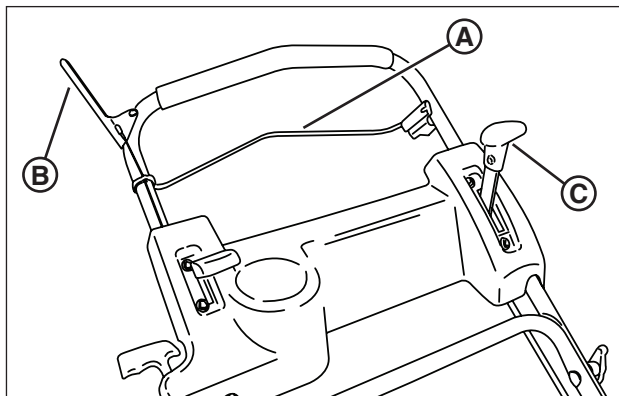


Figure 1: Mower controls

3. Check the cutting height. Adjust to the desired height. Refer to the section entitled 'Cutting Height Adjustment'.
4. Check the engine oil:
 - Make sure the mower is on a level surface.
 - Clean the oil fill area of any debris.
 - Remove the dipstick (**A, Figure 2**) and wipe with a clean cloth.
 - Insert and tighten the dipstick.
 - Remove the dipstick and check the oil level. It should be at the top of the full indicator (**B**) on the dipstick.
 - If low, add oil slowly into the engine oil fill. Refer to the section entitled 'Oil Recommendations'. **Do not overfill.** After adding oil, wait one minute and recheck the oil level.
 - Replace and tighten the dipstick.

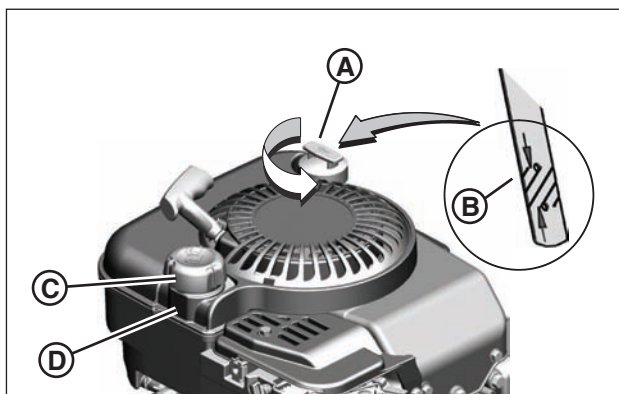


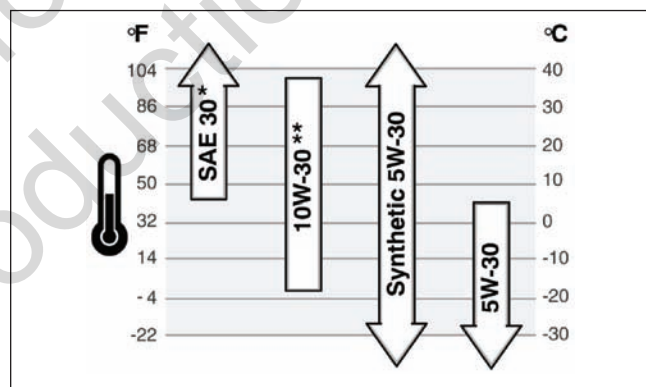
Figure 2: Oil and fuel fill

5. Add fuel to the tank:
 - Make sure the mower is outside, where fumes can safely dissipate.
 - Remove the fuel fill cap (**C, Figure 2**).
 - Fill the tank with fuel. Refer to the section entitled 'Fuel Recommendations'. To allow for expansion of the fuel, do not fill above the bottom of the filler neck (**D**).
 - Reinstall the fuel fill cap.
6. Clean the exterior surfaces of the cutting deck and engine of any accumulation of spilled fuel, dirt, grass, oil, etc. Keep the engine air intake screen and cooling fins clear at all times.

Oil Recommendations

We recommend the use of Briggs & Stratton Warranty Certified oils for best performance. Other high-quality detergent oils are acceptable if classified for service SF, SG, SH, SJ or higher. Do not use special additives.

Outdoor temperatures determine the proper oil viscosity for the engine. Use the chart to select the best viscosity for the outdoor temperature range expected.



* Below 40°F (4°C) the use of SAE 30 will result in hard starting.

** Above 80°F (27°C) the use of 10W-30 may cause increased oil consumption. Check oil level more frequently.

Operation

Fuel Recommendations

Fuel must meet these requirements:

- Clean, fresh, unleaded gasoline with
- A minimum of 87 octane / 87AKI (90 RON).
- Gasoline with up to 10% ethanol (gasahol) or up to 15% MTBE (methyl tertiary butyl ether) is acceptable.
- **CAUTION:** DO NOT use unapproved gasoline, such as E85. Do not mix oil in gasoline or modify the engine to run on alternative fuels. This will damage the engine components and **void the engine warranty.**

The engine on this equipment is certified to operate on gasoline. The emissions control system for this engine is EM (Engine Modifications).

High Altitude

At altitudes over 5,000 feet (1524 meters), a minimum 85 octane/85 AKI (89 RON) gasoline is acceptable. To remain emissions compliant, high altitude adjustment is required. Operation without this adjustment will cause decreased performance, increased fuel consumption, and increased emissions.

Operation of the engine at altitudes below 2,500 feet (762 meters) with the high altitude kit is not recommended.

Starting the Mower

The engine on your mower is equipped with the Briggs & Stratton Ready Start™ System. This features a temperature-controlled automatic choke. No additional steps are required to start a cold engine.

1. Move the engine speed control **(A, Figure 3)** to the fast ('Rabbit') position.
2. Squeeze the blade control **(B)** against the handle.
3. Start the mower: Pull the rope start handle **(C)** to crank the engine.
4. To stop the engine (and blade), release the blade control.
5. After the engine starts, allow a brief warm-up until the engine runs smooth before beginning mower operation.

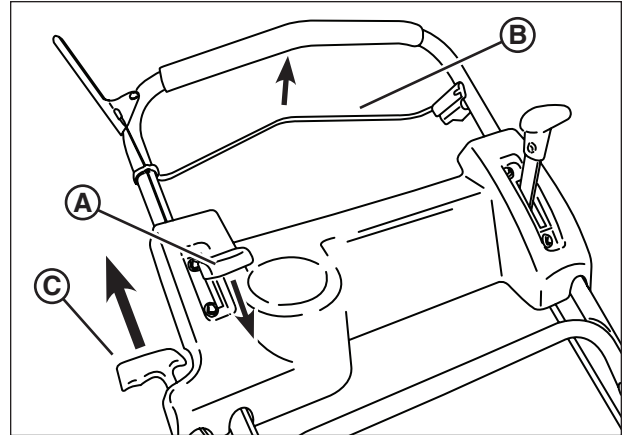


Figure 3: Starting the mower

Propelling the Mower

1. Start the mower.
2. Move the ground speed control **(A, Figure 4)** to the desired speed position.
3. Squeeze the wheel drive control **(B)** against the handle to engage the wheel drive and propel the mower forward. Forward speed can be adjusted while the mower is moving by changing the position of the ground speed control.

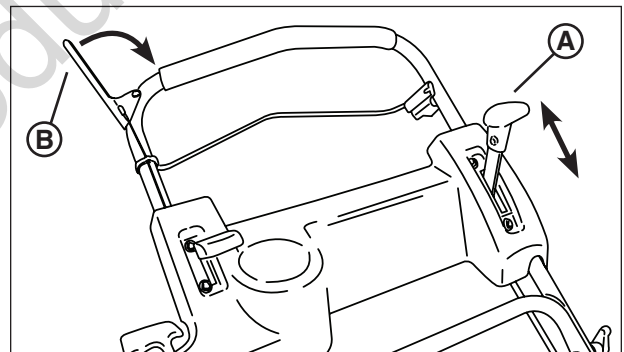


Figure 4: Mower drive controls

Stopping the Mower

1. Stop forward motion of the mower by releasing the wheel drive control.
2. Stop the engine and blade by releasing the blade control.

Handle Height Adjustment

⚠ WARNING ⚠
 DO NOT attempt any maintenance, adjustments or service with engine and blade running. STOP engine and blade. Disconnect spark plug wire and secure away from spark plug. Engine and components are HOT. Avoid serious burns, allow sufficient time for all components to cool.

The height of the mower handle can be adjusted as follows:

1. Loosen the lower nuts (**A, Figure 5**) on each lower handle.
2. Move the handle assembly (**B**) up or down until the desired position is achieved.
3. Tighten the lower nuts on each lower handle to maintain the desired position.

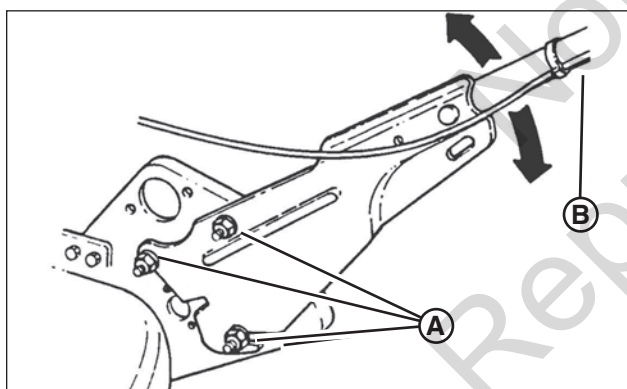


Figure 5: Adjusting the handle height

Cutting Height Adjustment

⚠ WARNING ⚠
 DO NOT attempt any maintenance, adjustments or service with engine and blade running. STOP engine and blade. Disconnect spark plug wire and secure away from spark plug. Engine and components are HOT. Avoid serious burns, allow sufficient time for all components to cool.

1. Pull the height adjusting latch (**A, Figure 6**) outward and move to the desired cutting height.

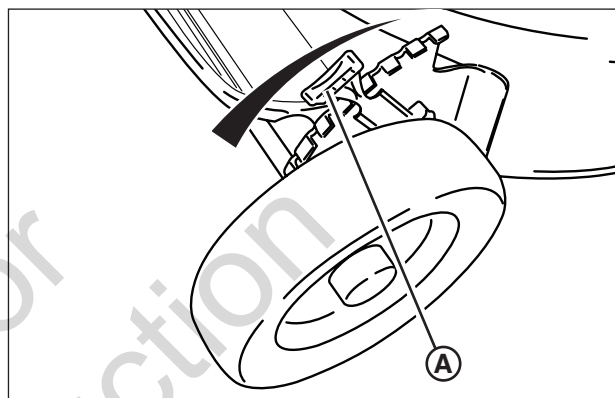


Figure 6: Adjusting cutting height

2. Set all wheels at the same cutting height. The highest cutting position is Notch 7 (**Figure 7**). The lowest cutting position is Notch 1.

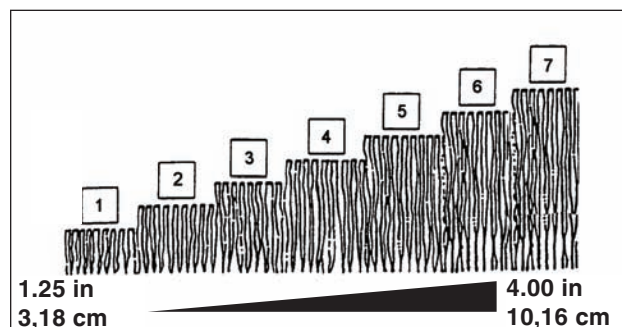


Figure 7: Cutting height settings (approximate)

Operation

Mulching Operation

For best mulching results, cut up to a maximum of 1/3 of grass blade length and recycle ONLY when grass is dry.

1. Set all wheels in the highest cutting position (Notch 7). Refer to the Section entitled “Cutting Height Adjustment”.
2. Move the engine speed control to the fast (Rabbit) position.
3. Move the ground speed control to the slowest speed setting.
4. Proceed mowing slowly. If the grass is very dense, lower each rear wheel latch one notch lower than the front wheel latches to improve mulching performance.

NOTE: The mulching cover should remain on the machine at all times, unless alternate discharge operations are desired, such as side discharging or bagging.

Removing the Mulching Cover

(Optional Accessory on Some Models)

WARNING
DO NOT attempt any maintenance, adjustments or service with engine and blade running. STOP engine and blade. Disconnect spark plug wire and secure away from spark plug. Engine and components are HOT. Avoid serious burns, allow sufficient time for all components to cool.

1. Remove the knob nuts (A, Figure 8) and internal/external tooth lock washers (B) securing the mulching cover (C) to the mower deck.
2. Remove the cover.

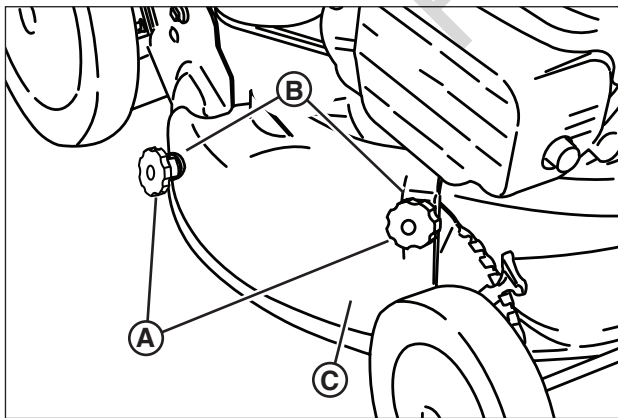


Figure 8: Removing the mulching cover

Installing the Discharge Deflector

WARNING
DO NOT attempt any maintenance, adjustments or service with engine and blade running. STOP engine and blade. Disconnect spark plug wire and secure away from spark plug. Engine and components are HOT. Avoid serious burns, allow sufficient time for all components to cool.

1. Remove the mulching cover. Refer to the Section entitled “Mulching Operation”.
2. Install the deflector (A, Figure 9) to the deck in place of the mulching cover, making sure that:
 - The front hole (B) on the outside front of the deflector fits over the stud where the front of the mulching cover was originally secured;
 - The slot (C) on top of the deflector slips under the restraining nut on top of the deck (under the right front corner of the engine);
 - The slot (D) on the inside rear of the deflector slips onto the stud behind the rear of the discharge opening, where the rear of the mulching cover was originally secured.
3. Install the internal/external tooth lock washers and knob nuts onto the studs and tighten securely.

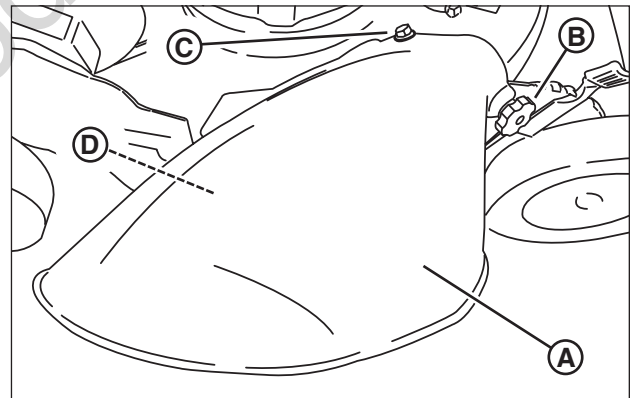


Figure 9: Installing the discharge deflector

WARNING
DO NOT operate without entire Grass Catcher or guard in place. Grass Catcher components are subject to deterioration during normal use. Inspect frequently and replace worn or damaged components immediately.

Installing the Grass Bag Adapter

(Optional Accessory on Some Models)

⚠ WARNING ⚠

DO NOT attempt any maintenance, adjustments or service with engine and blade running. STOP engine and blade. Disconnect spark plug wire and secure away from spark plug. Engine and components are HOT. Avoid serious burns, allow sufficient time for all components to cool.

1. Remove the mulching cover. Refer to the Section entitled "Mulching Operation".
2. Install the adapter (**A, Figure 10**) to the deck in place of the mulching cover, making sure that:
 - The front hole (**B**) on the outside front of the adapter fits over the stud where the front of the mulching cover was originally secured;
 - The slot (**C**) on top of the adapter slips under the restraining nut on top of the deck (under the right front corner of the engine);
 - The slot (**D**) on the rear of the adapter slips onto the stud behind the rear of the discharge opening, where the rear of the mulching cover was originally secured.
3. Install the internal/external tooth lock washers and knob nuts onto the studs and tighten securely.
4. Route the recoil rope around the outside of the rope guide pulley (**E**).

NOTE: The recoil rope may need to be slackened. Refer to the section entitled "Starting the Mower".

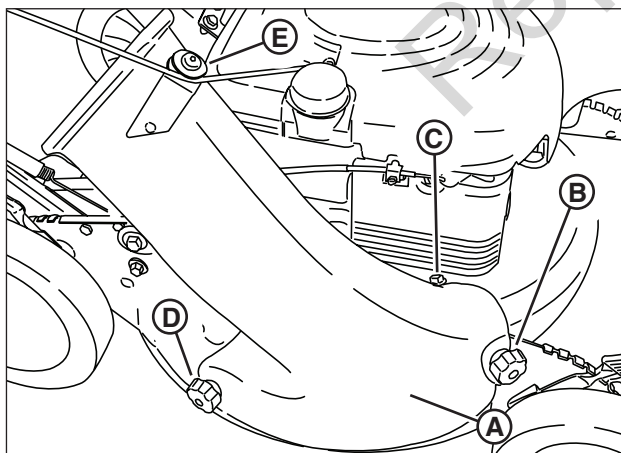


Figure 10: Installing the grass bag adapter

Installing the Mulching Plug

(Optional Accessory on Some Models)

⚠ WARNING ⚠

DO NOT attempt any maintenance, adjustments or service with engine and blade running. STOP engine and blade. Disconnect spark plug wire and secure away from spark plug. Engine and components are HOT. Avoid serious burns, allow sufficient time for all components to cool.

1. Install the mulching plug (**A, Figure 11**) if mulching is desired after the bag adapter is installed. Install the mulching plug completely and securely into the bag adapter (**B**).
2. Install the grass bag as a safeguard.
3. Refer to the Section entitled "Mulching Operation".

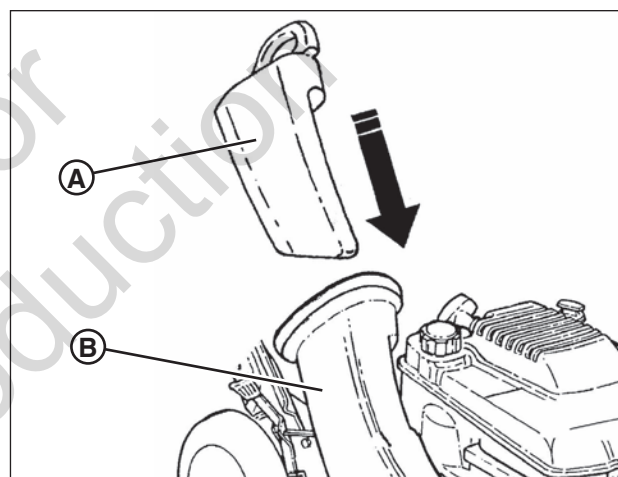


Figure 11: Installing the mulching plug

Operation

Installing the Grass Bag

(Optional Accessory on Some Models)



WARNING



DO NOT attempt any maintenance, adjustments or service with engine and blade running. STOP engine and blade. Disconnect spark plug wire and secure away from spark plug. Engine and components are HOT. Avoid serious burns, allow sufficient time for all components to cool.

1. Install the grass bag adapter. Refer to the Section entitled "Installing the Grass Bag Adapter".
2. Install the grass bag by sliding the connector (**A**, **Figure 12**) over the adapter flange.
3. Attach the grass bag hooks (**B**) over the middle handle cross bar.

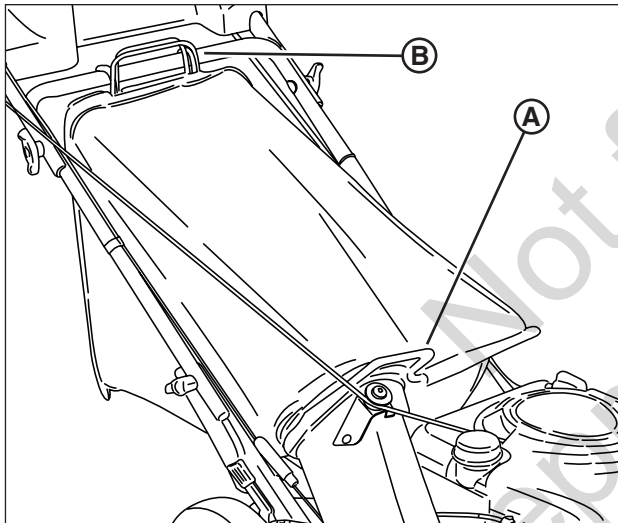


Figure 12: Installing the grass bag





WARNING



Grass Catcher bags are made of woven fabric, and are subject to deterioration and wear during normal usage. Check condition of bag before each use. Immediately replace worn or damaged catcher bags with only genuine replacement bags. The grass catcher is optional equipment on some models.

Maintenance Chart

 WARNING 
<p>DO NOT attempt any maintenance, adjustments or service with engine and blade running. STOP engine and blade. Disconnect spark plug wire and secure away from spark plug. Engine and components are HOT. Avoid serious burns, allow sufficient time for all components to cool. Wear heavy leather gloves when handling or working around cutting blades. Blades are extremely sharp and can cause severe injury.</p>

MOWER
Every 8 Hours or Daily
Check safety interlock system
Clean debris off mower
Every 25 Hours or Annually *
Check mower for loose hardware
See Dealer Annually to
Lubricate mower
Check mower blade **
Check mower blade stopping time
Check drive belt
Clean battery and cables

* Whichever comes first

**Check blade more often in regions with sandy soils or high dust conditions.

Emissions Control

Maintenance, replacement, or repair of the emissions control devices and systems may be performed by any non-road engine repair establishment or individual. However, to obtain “no charge” emissions control service, the work must be performed by a factory authorized dealer. See the Emissions Warranty.

ENGINE
First 5 Hours
Change engine oil
Every 8 Hours or Daily
Check engine oil level
Every 25 Hours or Annually *
Clean engine air filter and pre-cleaner (if equipped) **
Every 50 Hours or Annually *
Change engine oil
Replace oil filter (if equipped)
Annually
Replace air filter
Replace pre-cleaner (if equipped)
See Dealer Annually to
Inspect muffler and spark arrester (if equipped)
Replace spark plug
Replace fuel filter (if equipped)
Clean engine air cooling system

* Whichever comes first

**Clean more often in dusty conditions or when airborne debris is present.

Maintenance

Change Engine Oil



WARNING



DO NOT attempt any maintenance, adjustments or service with engine and blade running. STOP engine and blade. Disconnect spark plug wire and secure away from spark plug. Engine and components are HOT. Avoid serious burns, allow sufficient time for all components to cool.

1. Drain the fuel tank completely.
2. Remove the dipstick (**A, Figure 13**), then turn the mower on its side. Allow the oil to drain from the oil fill tube into an appropriate container. Dispose of used oil properly.
3. Place the mower upright, then fill the engine with engine oil to the 'full' mark on the dipstick. Refer to the section entitled 'Oil Recommendations'. **Do not overfill.**

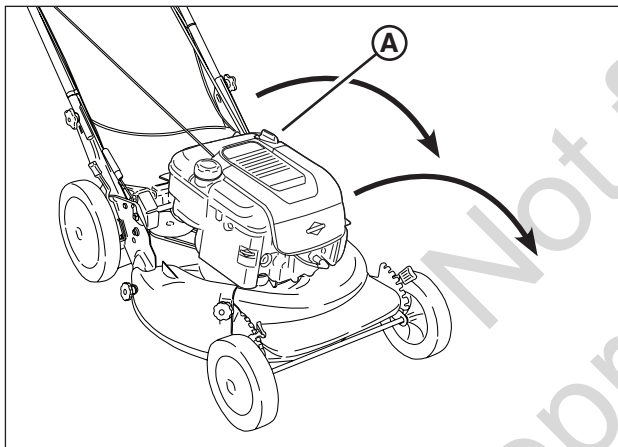


Figure 13: Draining the engine oil

IMPORTANT: Drain the fuel tank before tipping the machine. DO NOT tip the machine with the carburetor or spark plug down. Oil from the crankcase will saturate the air filter and cause the engine to be hard to start or not start at all. If contamination does occur, the air filter will have to be replaced.

Service Air Filter



WARNING



Never start or run the engine with the air cleaner assembly (if equipped) or the air filter (if equipped) removed.

NOTE: Do not use pressurized air or solvents to clean the filter. Pressurized air can damage the filter and solvents will dissolve the filter.

1. Loosen the fastener (**A, Figure 14**) that holds the cover (**B**).
2. Open the cover and remove the pre-cleaner (**C**) and the filter (**D**).
3. To loosen debris, gently tap the filter on a hard surface. If the filter is excessively dirty, replace with a new filter.
4. Wash the pre-cleaner in liquid detergent and water. Then allow it to thoroughly air dry. Do not oil the pre-cleaner.
5. Assemble the dry pre-cleaner to the filter with the lip (**E**) of the pre-cleaner on the bottom of the filter pleats.
6. Install the filter.
7. Install the cover tabs (**F**) into the slots (**G**).
8. Close the cover and secure with the fastener.

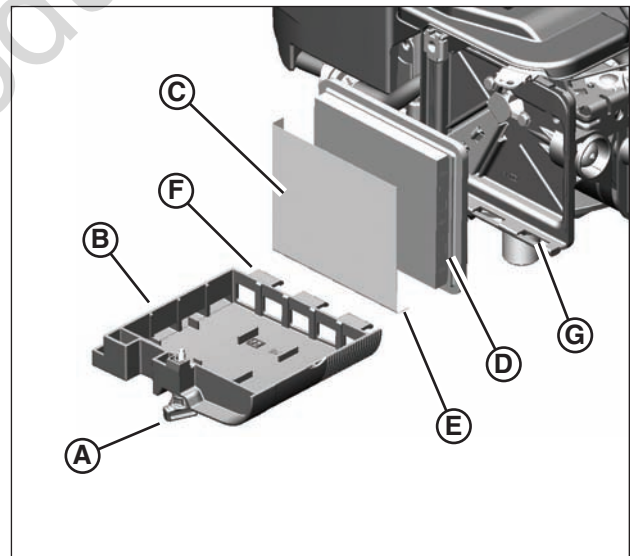


Figure 14: Air filter and pre-cleaner

Check Safety Interlock System

1. Start the mower.
2. Release the blade control. **The engine must stop within 3 seconds.**

If the engine does not stop within 3 seconds, **do not use the mower**. Bring the mower to an authorized dealer for service.

Clean Debris Off Mower



WARNING



DO NOT attempt any maintenance, adjustments or service with engine and blade running. STOP engine and blade. Disconnect spark plug wire and secure away from spark plug. Engine and components are HOT. Avoid serious burns, allow sufficient time for all components to cool. Wear heavy leather gloves when handling or working around cutting blades. Blades are extremely sharp and can cause severe injury.

1. Clean dirt and debris from the top of the mower deck.
2. Clean any debris buildup on or around the engine, etc.

While cleaning, check components for wear or damage. Replace worn or damaged components immediately.

Storage Procedure



WARNING



DO NOT attempt any maintenance, adjustments or service with engine and blade running. STOP engine and blade. Disconnect spark plug wire and secure away from spark plug. Engine and components are HOT. Avoid serious burns, allow sufficient time for all components to cool. Wear heavy leather gloves when handling or working around cutting blades. Blades are extremely sharp and can cause severe injury.

Prepare the mower for “end of season” storage as follows:

1. Disconnect the spark plug wire and secure away from the spark plug.
2. Drain the fuel tank and let the engine run until all fuel is out of the carburetor.

NOTE: If using a fuel stabilizer, there is no need to drain the fuel tank. Refer to the section entitled ‘Fuel System’.

3. Use a brush or compressed air to remove loose debris, then use a damp cloth to wipe down the unit.
4. Tilt the mower up on its rear wheels and inspect the underside of the deck. (Do not tilt the mower with the spark plug or carburetor down.) Scrape away stubborn accumulation of grass with a putty knife and/or wire brush.
5. Lubricate all exposed metal with a light coating of oil to prevent corrosion.
6. Carefully fold the handles, flexing the control cables to prevent cable damage.
7. Store the mower in a shed or other dry area, protected from weather.

Fuel System

Fuel can become stale when stored over 30 days. Stale fuel causes acid and gum deposits to form in the fuel system or on essential carburetor parts. To keep fuel fresh, use **Briggs & Stratton® Advanced Formula Fuel Treatment & Stabilizer**, available wherever Briggs & Stratton genuine service parts are sold.

For engines equipped with a FRESH START® fuel cap, use **Briggs & Stratton FRESH START®** available in a drip concentrate cartridge.

There is no need to drain gasoline from the engine if a fuel stabilizer is added according to instructions. Run the engine for 2 minutes to circulate the stabilizer throughout the fuel system before storage.

If gasoline in the engine has not been treated with a fuel stabilizer, it must be drained into an approved container. Run the engine until it stops from lack of fuel. The use of a fuel stabilizer in the storage container is recommended to maintain freshness.

Maintenance

Service



WARNING



DO NOT attempt any maintenance, adjustments or service with engine and blade running. STOP engine and blade. Disconnect spark plug wire and secure away from spark plug. Engine and components are HOT. Avoid serious burns, allow sufficient time for all components to cool. Wear heavy leather gloves when handling or working around cutting blades. Blades are extremely sharp and can cause severe injury.

Check Grease Level in Transmission

1. Remove the transmission fill plug (A, Figure 15). Roll the machine forward or backward while looking down into the plug hole.
2. If liquid grease is not visible on the input gear (the small gear below the plug hole), add an amount, to cover the gear, of Snapper "00" grease.

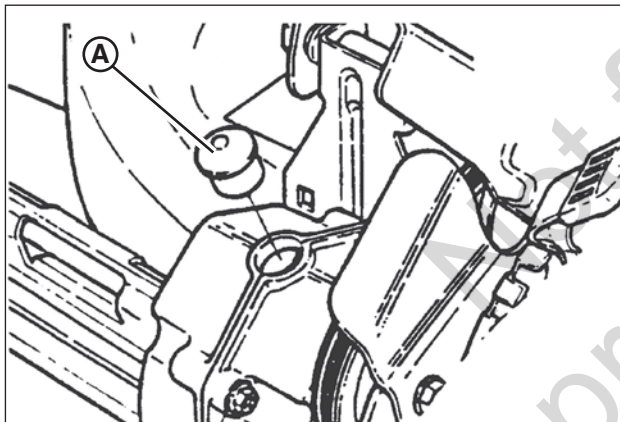


Figure 15: Removing the transmission fill plug

NOTE: Snapper "00" grease (Part No. 7029443) is available at your dealer.

NOTE: Do not spill grease or oil onto the surface of the drive disc (A, Figure 16).

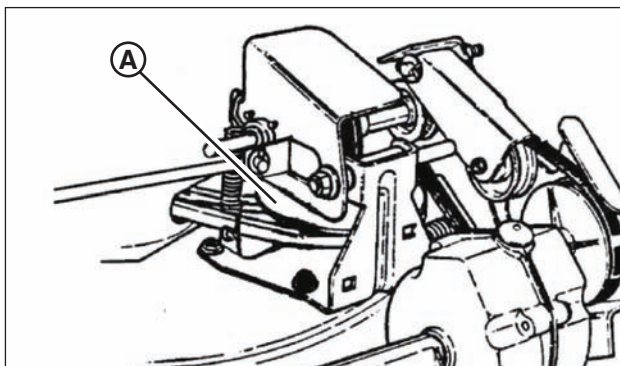


Figure 16: Location of the drive disc

3. Reinstall the transmission plug.
4. Check the grease level after each 25 hours of operation.

Check Mower Blade

1. Disconnect the spark plug wire and secure the end away from the plug.
2. Tilt the mower up on its rear wheels for access to the blade cap screw (A, Figure 17). Do not tilt the mower with the spark plug or carburetor down.

IMPORTANT: Drain the fuel tank before tipping the mower. DO NOT tip the machine with the carburetor or spark plug down. Oil from the crankcase will saturate the air filter and cause the engine to be hard to start or not start at all. If contamination does occur, the air filter will have to be replaced.

3. Check the torque of the blade cap screw. Recommended torque should be 40 lb-ft (54 N.m).
4. Check the blade for sharpness, wear and damage. Refer to the Section entitled "Blade Wear Limits".

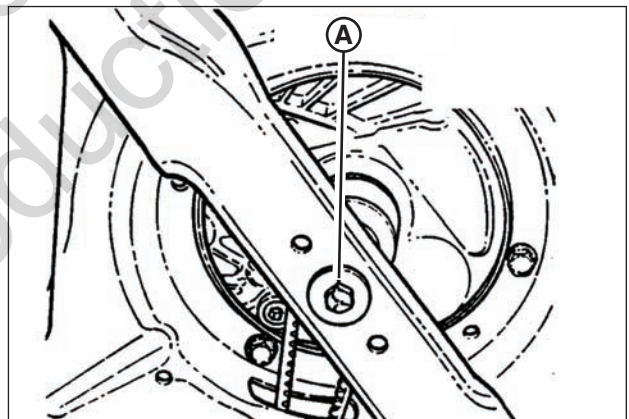


Figure 17: Tightening the blade cap screw

Check Engine Drive Belt

- Visually check the engine drive belt for cracking, fraying, severed or exposed belt strands. If worn or damaged, replace the belt before operating the mower.

Check Transmission Poly-V Belt

- Visually check the poly-v belt for cracking, fraying, severed or exposed belt strands. If worn or damaged, replace the belt before operating the mower.

Mower Blade Replacement



WARNING



DO NOT attempt any maintenance, adjustments or service with engine and blade running. STOP engine and blade. Disconnect spark plug wire and secure away from spark plug. Engine and components are HOT. Avoid serious burns, allow sufficient time for all components to cool. Wear heavy leather gloves when handling or working around cutting blades. Blades are extremely sharp and can cause severe injury.

Standard Blade Wear Limit

1. Inspect the blade (**Figure 18**) frequently for signs of excessive wear or damage:

- (A) New blade
- (B) Wear limit (notch starts)
- (C) Dangerous condition! Do not use on the mower! Replace with a new blade.

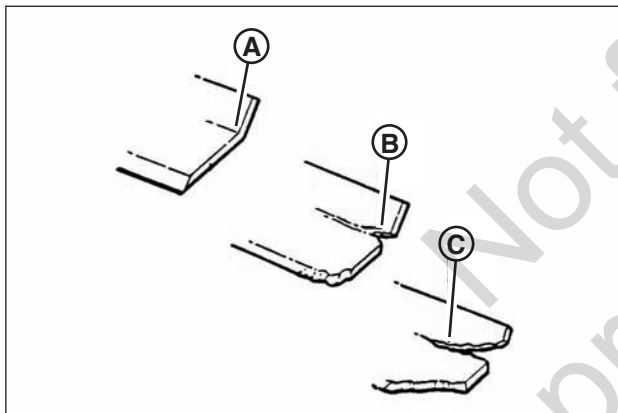


Figure 18: Standard blade wear limits

Ninja Blade Wear Limit

1. Inspect the blade (**Figure 19**) frequently for signs of excessive wear or damage:

- (A) New blade
- (B) Wear limit (cracks or notches begin to appear on tip)
- (C) Dangerous condition! Do not use on the mower! Replace with a new blade.



WARNING



DO NOT use a cutting blade that shows signs of excessive wear or damage. Refer to the Section entitled "MOWER BLADE REPLACEMENT" for proper blade inspection and service procedures.

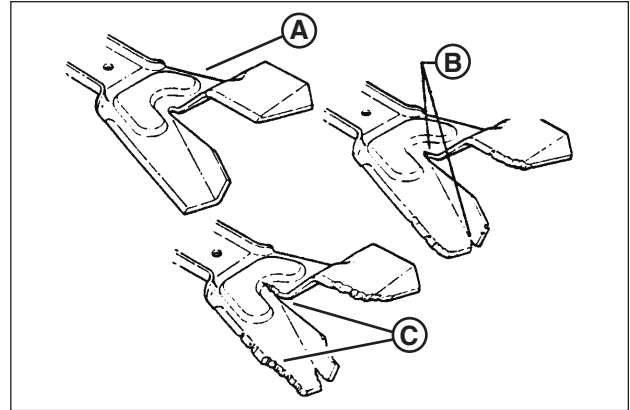


Figure 19: Ninja blade wear limits

Blade Sharpening

1. Disconnect the spark plug wire and secure the end away from the plug.
2. Tilt the mower up on its rear wheels. Do not tilt the mower with the spark plug or carburetor down.

IMPORTANT: Drain the fuel tank before tipping the mower. DO NOT tip the machine with the carburetor or spark plug down. Oil from the crankcase will saturate the air filter and cause the engine to be hard to start or not start at all. If contamination does occur, the air filter will have to be replaced.

3. Remove the blade (**B, Figure 20**).

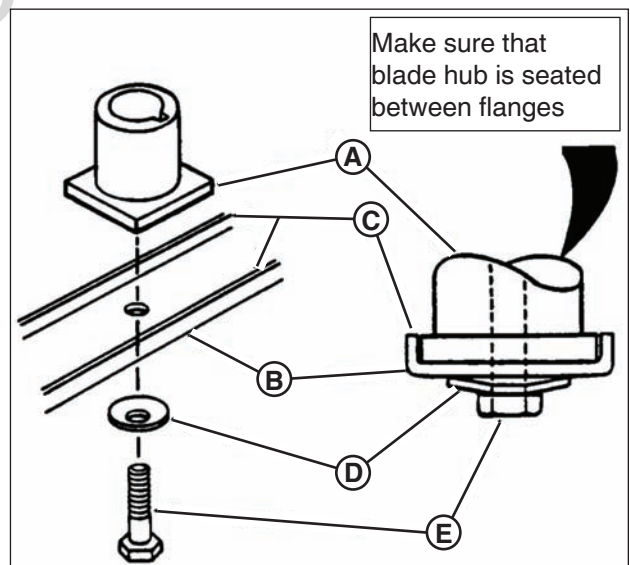


Figure 20: Removing the mower blade

Maintenance

Blade Sharpening (Continued)

- Sharpen the blade on a grinding wheel at an angle of 22 to 28 degrees (**B, Figure 21**). DO NOT sharpen the blade beyond the original cutting edge (**A**).

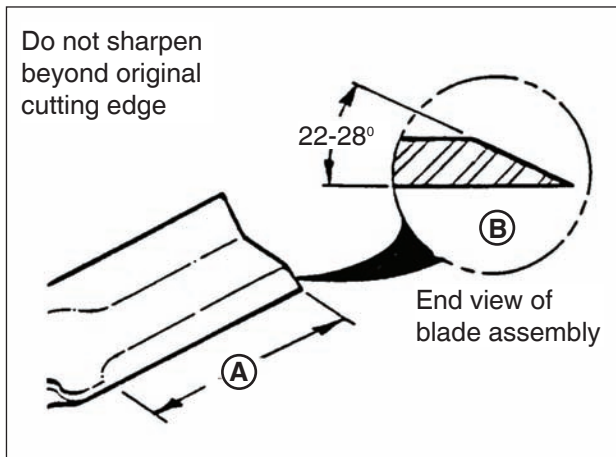


Figure 21: Sharpening the mower blade

- Check blade for balance. If necessary, correct balance by grinding heavy end of blade.
- Reinstall blade (**B, Figure 20**). Note the correct assembly order:
 - Blade hub
 - Blade
 - Blade flange (facing up)
 - Cone washer (concave side up)
 - Capscrew
- Check torque of blade retaining cap screw. Recommended torque should be 40 lb-ft (54 N.m).

Wheel Drive Control Adjustment

⚠ WARNING ⚠

DO NOT attempt any maintenance, adjustments or service with engine and blade running. STOP engine and blade. Disconnect spark plug wire and secure away from spark plug. Engine and components are HOT. Avoid serious burns, allow sufficient time for all components to cool.

- The wheel drive control is properly adjusted when there is 1/16" to 1/8" clearance (**G, Figure 22**) between the inside of the spring hook (**E**) and the inside of the clutch cable eye (**C**) with the wheel drive control released.

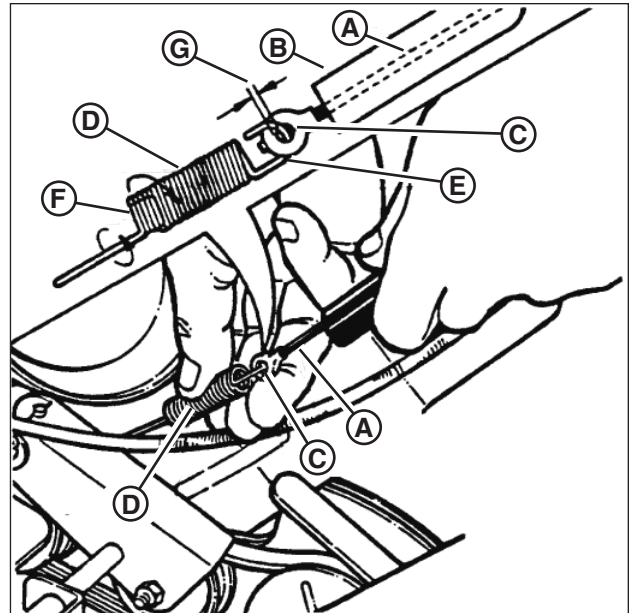


Figure 22: Wheel drive control adjustment

- To adjust, unhook the upper spring (**D**) from the cable eye and rotate the spring in the direction required to extend or shorten the spring length.
- Rehook the upper spring to the cable eye and check clearance. Repeat the procedure if required.

NOTE: The vinyl spring cover (**B**) should be kept over the spring at all times except for adjustments.

- If the wheel drive control fails to return quickly to the "OFF" position when released, check for binding at the cable holdings located on the side of the right handle. The upper clip should be located 2" below the upper knob; the lower clip should be 4" above the lower knob. The cable should slide freely with the clips installed at these locations.

Driven and Drive Disc Service



WARNING



DO NOT attempt any maintenance, adjustments or service with engine and blade running. STOP engine and blade. Disconnect spark plug wire and secure away from spark plug. Engine and components are HOT. Avoid serious burns, allow sufficient time for all components to cool.

If the mower does not propel itself properly, check for the following problems:

1. Grease on the drive disc (**A, Figure 23**) causing slippage.
2. Broken or disconnected drive spring (**B**).
3. Driven disc (**C**) is out of adjustment.
4. Driven disc rubber is worn - does not contact drive disc properly.
5. Worn Poly-V belt (**D**) or engine drive belt (**E**).

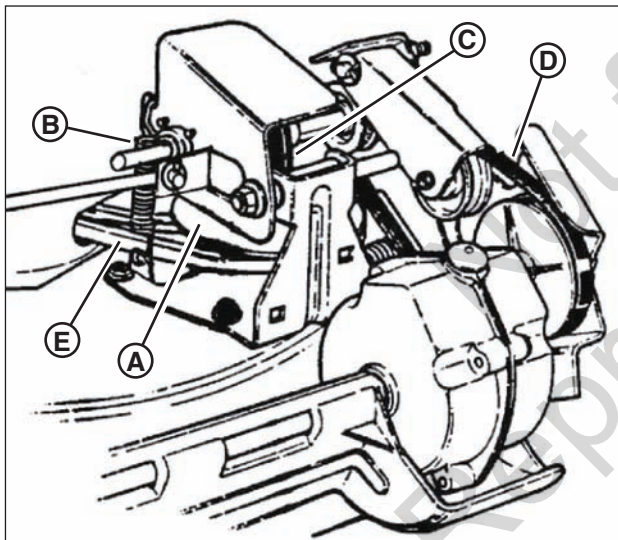


Figure 23: Wheel drive components

If any of the above (1 thru 5) are causing problems, service as follows:

Cleaning Drive Disc & Driven Disc

If oil or grease on the drive disc or driven disc is causing slippage, clean the discs as follows:

1. Wipe away any oil or grease with a clean cloth.
2. Use either an approved grease solvent or hot, soapy water to clean drive disc or driven disc.
3. Rinse components with clean water.
4. Dry components with a clean cloth.

Drive Spring Repair/Replacement

If the drive spring (**A, Figure 24**) is loose, reconnect. If the spring is broken, replace with a new spring.

NOTE: Use a pair of needle nose pliers to install the drive spring.

IMPORTANT: If the drive system continues slipping, refer to the Troubleshooting section.

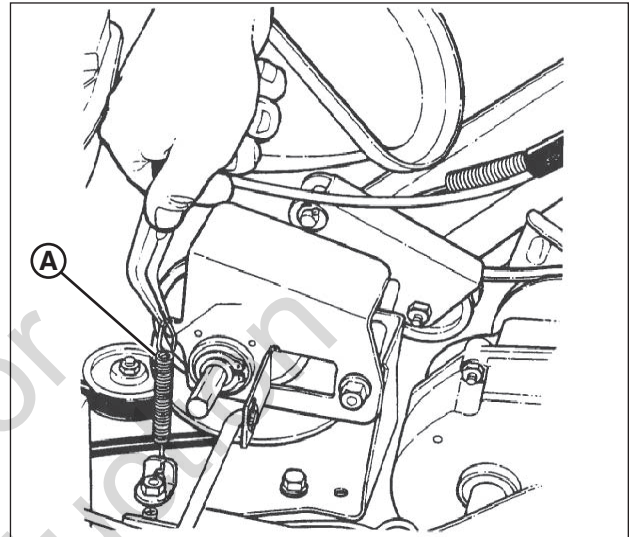


Figure 24: Replacing the drive spring

Driven Disc Adjustment

If the drive disc and driven disc are clean and the mower drive is still slipping, adjust the driven disc as follows:

1. Move the ground speed control (**A, Figure 25**) into the 'fast' position.

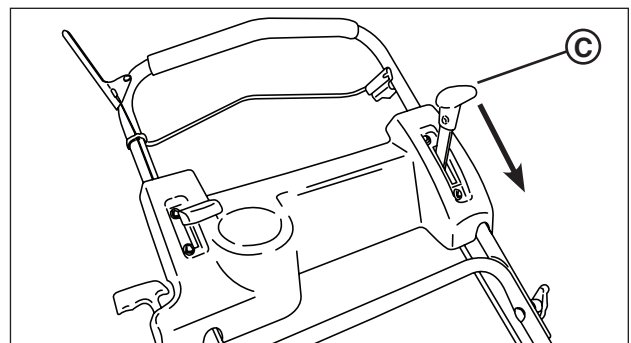


Figure 25: The ground speed control

Maintenance

2. Remove the driven disc spring (A, Figure 26) from the driven disc assembly (B). Also remove the pin and washer (C) from the transfer rod (D), and remove the end of the transfer rod from the hole in the driven disc assembly.

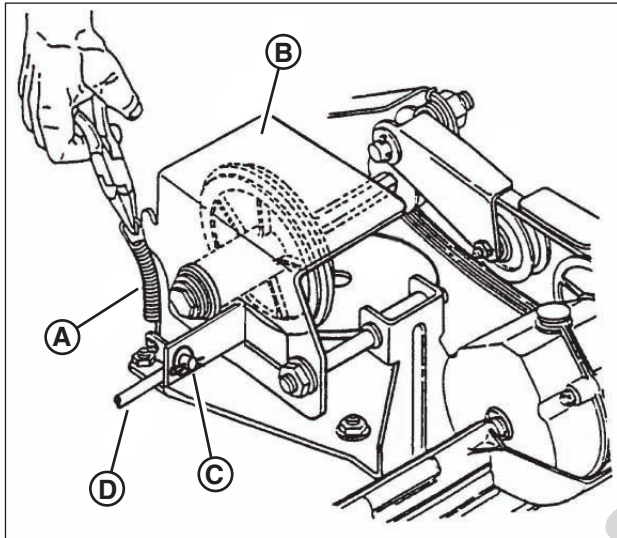


Figure 26: Adjusting the driven disc

3. Slide the driven disc assembly over to 1/8" (A, Figure 27) from the outside edge of the drive disc (B).
4. Loosen the jam nut (A, Figure 28) securing the transfer rod (B) to the ball joint (C) on the pivot bracket (D).
5. Turn the rod in or out of the ball joint until the end of the rod aligns with the hole (E) in the driven disc assembly from which the rod was removed.

IMPORTANT: Do not move the pivot bracket.

6. Reinstall the rod as removed in Step 2. Move the ground speed control to the 'slow' position, then back to the 'fast' position. Recheck the 1/8" measurement described previously. Readjust as needed. Tighten the nut when finished.
7. Reinstall the driven disc spring to the driven disc assembly.

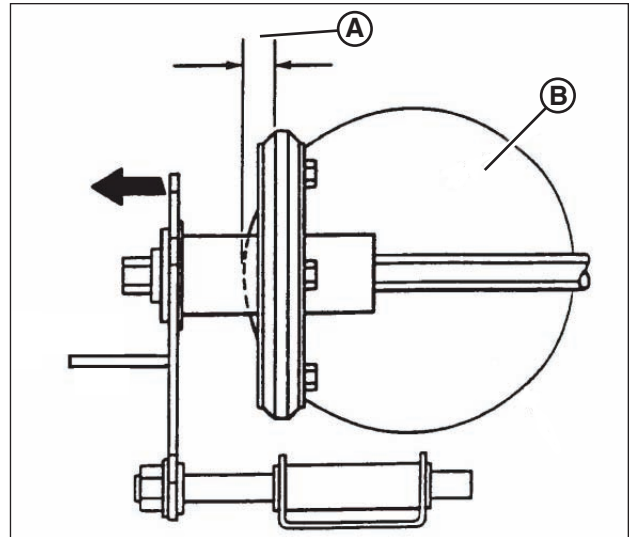


Figure 27: Proper driven disc adjustment

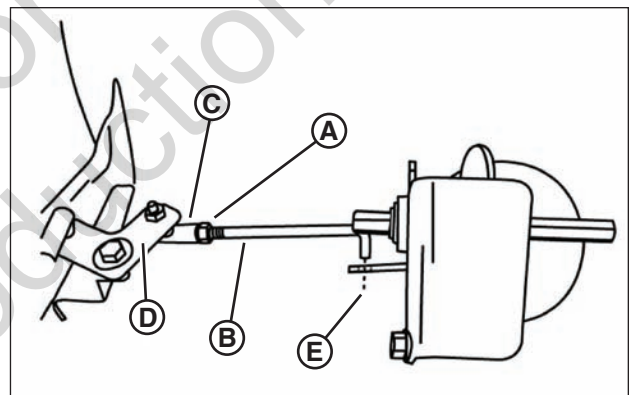


Figure 28: Adjusting the transfer rod

Driven Disc Replacement

⚠ WARNING ⚠

DO NOT attempt any maintenance, adjustments or service with engine and blade running. STOP engine and blade. Disconnect spark plug wire and secure away from spark plug. Engine and components are HOT. Avoid serious burns, allow sufficient time for all components to cool.

If the rubber on the driven disc is badly chunked or worn, it must be replaced. Install a new driven disc as follows:

1. Remove the pin and washer (C, Figure 26) from the transfer rod (D), and remove the end of the transfer rod from the hole in the driven disc assembly.

Driven Disc Replacement (Continued)

2. Using needle nose pliers, unhook the drive spring (A, Figure 29) and slide the driven disc assembly off the hex shaft.
3. Remove the two snap rings (A, Figure 30) which secure the rubber driven disc (B) to the driven disc assembly.
4. Install a new rubber driven disc onto the driven disc assembly, and secure with the retaining rings.
5. Reverse the above procedures for reassembly and installation of the driven disc assembly.

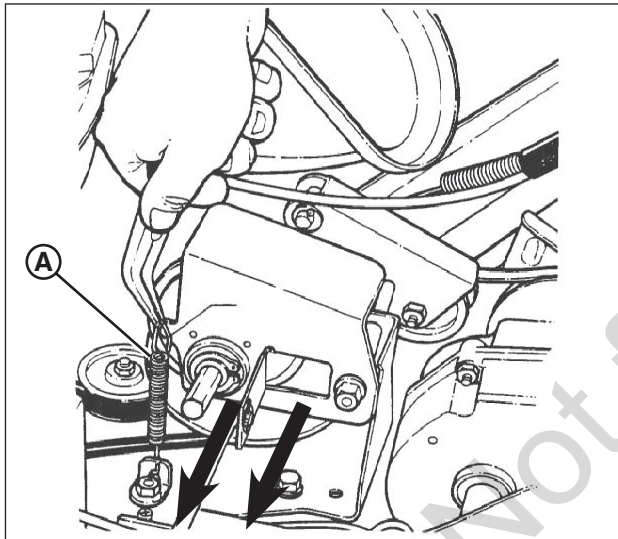


Figure 29: Removing the driven disc assembly

Driven Disc Bearing Replacement



WARNING



DO NOT attempt any maintenance, adjustments or service with engine and blade running. STOP engine and blade. Disconnect spark plug wire and secure away from spark plug. Engine and components are HOT. Avoid serious burns, allow sufficient time for all components to cool.

IMPORTANT: The bearing on these machines is staked into the thrust plate. The bearing will have to be driven out with a mallet and a large punch. A new bearing with four retaining screws will have to be purchased to replace existing bearing.

If the driven disc bearing requires replacement, replace the bearing as follows:

1. Remove the driven disc assembly. Refer to the Section entitled "Driven Disc Replacement".
2. Remove both snap rings (A, Figure 30) that secure the rubber driven disc (B) to the thrust plate.
3. Slide the rubber driven disc hub out of the bearing.
4. Drive out the existing bearing (C).
5. Install a new bearing and secure to the thrust plate with four retaining screws. Tighten the screws securely.
6. Reassemble the components in reverse order.

NOTE: Be sure to replace the shim washer (D) when reassembling the driven disc assembly.

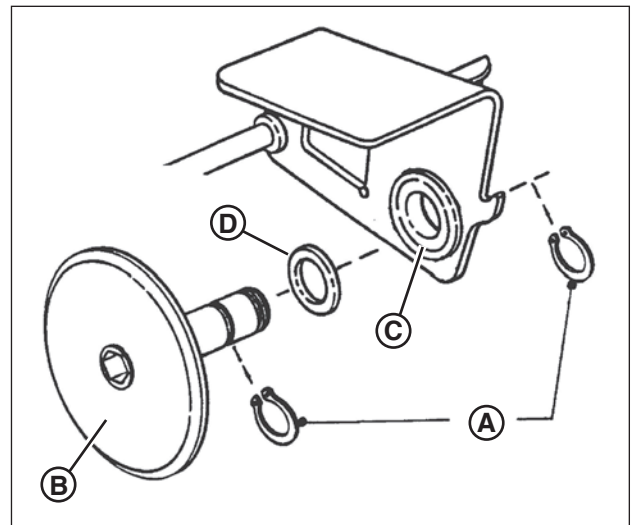


Figure 30: Replacing the driven disc

Maintenance

Replacing the Bearing On the Pulley End Of the Hex Shaft

⚠ WARNING ⚠
DO NOT attempt any maintenance, adjustments or service with engine and blade running. STOP engine and blade. Disconnect spark plug wire and secure away from spark plug. Engine and components are HOT. Avoid serious burns, allow sufficient time for all components to cool.

To replace the bearing on the pulley end of the hex shaft, proceed as follows:

1. Hold the hex shaft with an adjustable wrench held next to the pulley.
2. Remove the 3/8" hex lock nut (B, Figure 31), located on the outside of the right wheel bracket.
3. Remove the holder (A), O-ring (C) and bearing (D).
4. Install the new bearing.
5. Carefully install the new O-ring over the outside of the new bearing.
6. Install the bearing holder, and secure with screws.
7. Install the 3/8" hex lock nut.

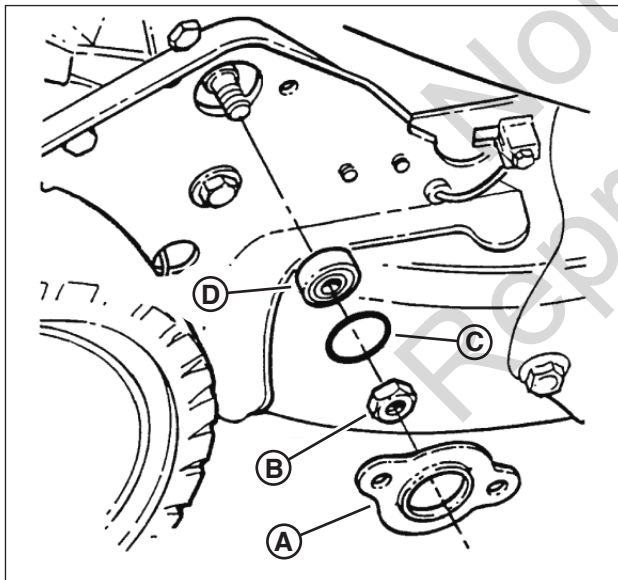


Figure 31: Replacing the hex shaft bearing

Belt Service

⚠ WARNING ⚠
DO NOT attempt any maintenance, adjustments or service with engine and blade running. STOP engine and blade. Disconnect spark plug wire and secure away from spark plug. Engine and components are HOT. Avoid serious burns, allow sufficient time for all components to cool.

On self-propelled mowers, the engine belt (A, Figure 32) transmits power from the engine pulley (B) to the drive disc (C). The drive disc powers the poly-v belt, which engages the transmission that powers the rear wheels. Should these belts become worn, they could cause slippage, which would impair mower performance. The condition of the engine belt and poly-v belt should be checked after every 25 hours of mower operation.

Engine Drive Belt Replacement (Stretch Type Belts)

1. Empty the fuel tank.
2. Note the belt routing (Figure 32). There is no idler pulley on these models to disconnect.

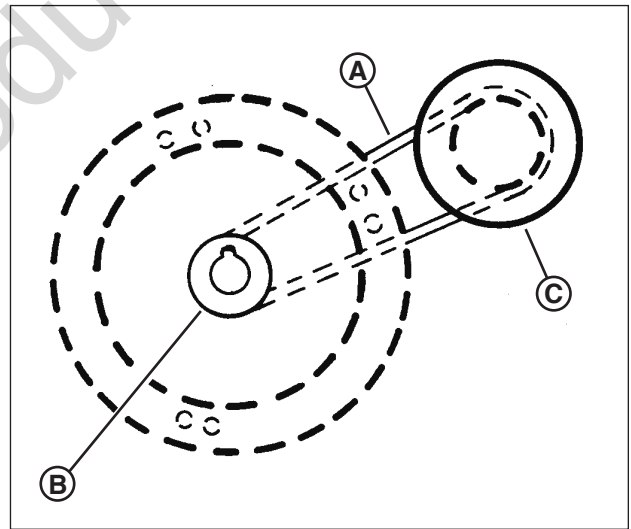


Figure 32: Engine drive belt routing

Engine Drive Belt Replacement (Stretch Type Belts - Continued)

IMPORTANT: Drain the fuel tank before tipping the mower. DO NOT tip the machine with the carburetor or spark plug down. Oil from the crankcase will saturate the air filter and cause the engine to be hard to start or not start at all. If contamination does occur, the air filter will have to be replaced.

3. Remove the driven disc. Refer to the Section entitled "Driven Disc Replacement" for driven disc removal procedure.
4. Drain the fuel tank before tipping the mower. Do not tilt the mower with the spark plug or carburetor down. Tilt the mower up on its rear wheels and remove the blade and blade hub. Assistance from another person may be necessary to hold the mower in the tilted position.
5. Hold the slotted end of the drive disc bolt (**B**, **Figure 33**) with a screwdriver and remove the nut (**G**) and internal tooth lock washer (**F**).
6. Remove the belt cover, located under the deck.
7. Lift the drive disc (**A**) up and remove the worn belt.
8. Loop one end of the new belt over the engine pulley and insert the other end through the slot in the deck.
9. Loop the belt around the pulley on the bottom of the drive disc.
10. Reinstall the drive disc and retaining hardware.

IMPORTANT: 1) The square shoulder of the drive disc bolt must fit into the square hole of the bushing. 2) The square end of bushing must fit into the bracket slot.

11. Reinstall the belt cover and tighten the bolts securely.
12. Reinstall the blade hub and cutter blade. Recommended torque for the blade cap screw is 40 lb-ft (54 N.m).

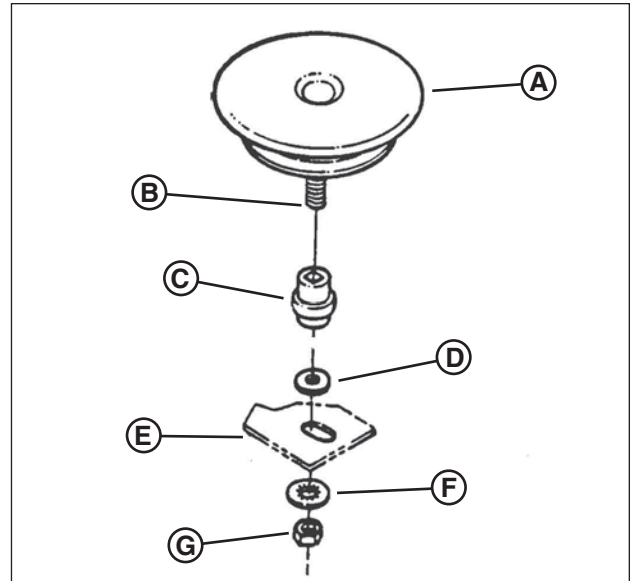


Figure 33: Removing the drive disc

Transmission Poly-V Belt Replacement

1. Remove the driven disc. Refer to the Section entitled "Replacing Driven Disc Rubber Ring".
2. Note the routing of the old belt around the three pulleys before removing it.
3. Place the new Poly-V Belt (**A**, **Figure 34**) over the end of the hex shaft (**B**) and onto the drive pulley (**C**).
4. Work the belt onto the top of the idler pulley (**D**).
5. Twist the belt sideways and pull it upward between the differential bracket (**E**) and driven pulley (**F**) and then down into the pulley groove. Make sure the Poly-V Belt is above the belt guide (**G**).

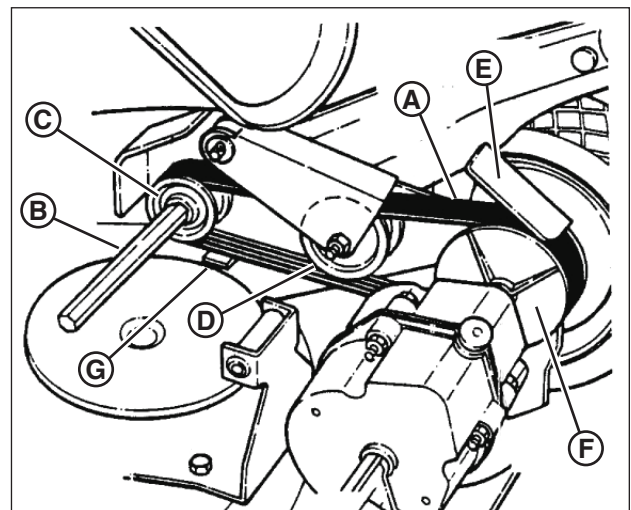


Figure 34: Poly-v belt routing

Troubleshooting

PROBLEM	PROBABLE CAUSE	CORRECTIVE ACTION
Engine Will Not Start Using Recoil Starter	1. Fuel tank empty.	1. Fill fuel tank with fresh fuel.
	2. Spark plug wire disconnected.	2. Place spark plug wire onto spark plug.
Engine Stalls or Stops After Running	1. Blade control is released or is not being held securely against handle.	1. Blade control should be held securely against handle at all times during operation of mower.
	2. Fuel tank empty.	2. Fill with fuel to proper level.
	3. Engine air pre-cleaner and or air cleaner dirty.	3. Clean free of all debris.
	4. Spark plug defective or gap set improperly.	4. Service spark plug.
	5. Water, debris or stale fuel in fuel system.	5. Drain and clean fuel system.
Engine Loses Power	1. Engine air pre-cleaner or air cleaner dirty.	1. Clean or replace filters.
	2. Spark plug faulty.	2. Service spark plug.
	3. Water, debris or stale fuel in fuel system.	3. Drain and clean fuel system.
Excessive Vibration	1. Damaged, out of balance or bent mower blade.	1. Service mower blade.
	2. Loose blade components.	2. Service and tighten loose parts.
	3. Loose or missing air lift (if equipped).	3. Replace air lifts. Tighten to proper torque.
	4. Lumpy or frayed belt.	4. Replace belt.
Mower Will Not Move Loss Of Traction	1. Build-up of debris on or around wheel drive components.	1. Clean debris.
	2. Driven disc slipping.	2. Clean or replace driven disc.
	3. Drive belt requires replacement.	3. Replace drive belt.
	4. Damaged transmission.	4. Contact authorized dealer.
Cutting Grass Improperly	1. Cutting height too low or high.	1. Adjust cutting height.
	2. Engine speed too slow.	2. Move engine speed control to 'Fast' position.
	3. Forward ground speed too fast.	3. Move ground speed control to a slower speed.
	4. Terraced cut, side to side.	4. Adjust height of cut with height adjust levers.
	5. Excessive deck pitch, front to rear.	5. Adjust height of cut with height adjust levers.
	6. Cutting blade dull or damaged.	6. Sharpen cutting edges or replace blade.
Poor Grass Discharge	1. Engine speed too fast.	1. Move engine speed control to 'Fast' position.
	2. Forward speed too fast.	2. Move ground speed control to a slower speed.
	3. Grass is wet.	3. Mow when grass is dry.
	4. Excessively worn or damaged blade.	4. Service mower blade.
	5. Build up of grass clippings and debris under deck.	5. Clean deck.
	6. Improper blade installed on deck.	6. Install proper blade.
	7. Blade installed improperly on deck.	7. Install blade properly.
Oil Leaking	1. Leaking engine case.	1. Contact authorized dealer.
		2. Check and tighten drain plug.
		3. Make sure dip stick or oil filler cap is securely in place.

BRIGGS & STRATTON ENGINE / EQUIPMENT WARRANTY POLICY

April 2012

LIMITED WARRANTY

Briggs & Stratton warrants that, during the warranty period specified below, it will repair or replace, free of charge, any part that is defective in material or workmanship or both. Transportation charges on product submitted for repair or replacement under this warranty must be borne by purchaser. This warranty is effective for and is subject to the time periods and conditions stated below. For warranty service, find the nearest Authorized Service Dealer in our dealer locator map at BRIGGSandSTRATTON.com. The purchaser must contact the Authorized Service Dealer, and then make the product available to the Authorized Service Dealer for inspection and testing.

There is no other express warranty. Implied warranties, including those of merchantability and fitness for a particular purpose, are limited to one year from purchase, or to the extent permitted by law. All other implied warranties are excluded. Liability for incidental or consequential damages are excluded to the extent exclusion is permitted by law. Some states or countries do not allow limitations on how long an implied warranty lasts, and some states or countries do not allow the exclusion or limitation of incidental or consequential damages, so the above limitation and exclusion may not apply to you. This warranty gives you specific legal rights and you may also have other rights which vary from state to state or country to country.**

WARRANTY PERIOD

Item	Consumer Use	Commercial Use
Equipment	2 years	90 days
Engine*	2 Years	90 Days
Battery	1 Year	1 Year

* Applies to Briggs & Stratton engines only. Warranty coverage of non-Briggs & Stratton engines is provided by that engine manufacturer.

** In Australia - Our goods come with guarantees that cannot be excluded under the Australian Consumer Law. You are entitled to a replacement or refund for a major failure and for compensation for any other reasonably foreseeable loss or damage. You are also entitled to have the goods repaired or replaced if the goods fail to be of acceptable quality and the failure does not amount to a major failure. For warranty service, find the nearest Authorized Service Dealer in our dealer locator map at BRIGGSandSTRATTON.COM, or by calling 1300 274 447, or by emailing or writing to salesenquires@briggsandstratton.com.au, Briggs & Stratton Australia Pty Ltd, 1 Moorebank Avenue, NSW, Australia, 2170.

The warranty period begins on the date of purchase by the first retail consumer or commercial end user, and continues for the period of time stated in the table above. "Consumer use" means personal residential household use by a retail consumer. "Commercial use" means all other uses, including use for commercial, income producing or rental purposes. Once a product has experienced commercial use, it shall thereafter be considered as a commercial use product for purposes of this warranty.

No warranty registration is necessary to obtain warranty on Briggs & Stratton products. Save your proof of purchase receipt. If you do not provide proof of the initial purchase date at the time warranty service is requested, the manufacturing date of the product will be used to determine the warranty period.

ABOUT YOUR WARRANTY

We welcome warranty repair and apologize to you for being inconvenienced. Warranty service is available only through Briggs & Stratton Authorized Service Dealers. Most warranty repairs are handled routinely, but sometimes requests for warranty service may not be appropriate. This warranty only covers defects in materials or workmanship. It does not cover damage caused by improper use or abuse, improper maintenance or repair, normal wear and tear, or stale or unapproved fuel.

Improper Use and Abuse - The proper, intended use of this product is described in the Operator's Manual. Using the product in a way not described in the Operator's Manual or using the product after it has been damaged will void your warranty. Warranty is not allowed if the serial number on the product has been removed or the product has been altered or modified in any way, or if the product has evidence of abuse such as impact damage, or water/chemical corrosion damage.

Improper Maintenance or Repair - This product must be maintained according to the procedures and schedules provided in the Operator's Manual, and serviced or repaired using genuine Briggs & Stratton parts. Damage caused by lack of maintenance or use of non-original parts is not covered by warranty.

Normal Wear - Like all mechanical devices, your unit is subject to wear even when properly maintained. This warranty does not cover repairs when normal use has exhausted the life of a part or the equipment. Maintenance and wear items such as filters, belts, cutting blades, and brake pads (except engine brake pads) are not covered by warranty due to wear characteristics alone, unless the cause is due to defects in material or workmanship.

Stale Fuel - In order to function correctly, this product requires fresh fuel that conforms to the criteria specified in the Operator's Manual. Damage caused by stale fuel (carburetor leaks, clogged fuel tubes, sticking valves, etc) is not covered by warranty.

Warranties

California, U.S. EPA, and Briggs & Stratton Corporation Emissions Control Warranty Statement Your Warranty Rights And Obligations

April 2011

The California Air Resources Board, U.S. EPA, and Briggs & Stratton (B&S) are pleased to explain the emissions control system warranty on your Model Year 2011-2012 engine/equipment. In California, new small off-road engines and large spark ignited engines less than or equal to 1.0 liter must be designed, built, and equipped to meet the State's stringent anti-smog standards. B&S must warrant the emissions control system on your engine/equipment for the periods of time listed below provided there has been no abuse, neglect, or improper maintenance of your engine or equipment.

Your emissions control system may include parts such as the carburetor or fuel injection system, fuel tank, ignition system, and catalytic converter. Also included may be hoses, belts, connectors, sensors, and other emissions-related assemblies.

Where a warrantable condition exists, B&S will repair your engine/equipment at no cost to you including diagnosis, parts, and labor.

Manufacturer's Warranty Coverage:

Small off-road engines and large spark ignited engines less than or equal to 1.0 liter are warranted for two years. If any emissions-related part on your engine/equipment is defective, the part will be repaired or replaced by B&S.

Owner's Warranty Responsibilities:

- As the engine/equipment owner, you are responsible for the performance of the required maintenance listed in your owner's manual. B&S recommends that you retain all receipts covering maintenance on your engine/equipment, but B&S cannot deny warranty solely for the lack of receipts or your failure to ensure the performance of all scheduled maintenance.
- As the engine/equipment owner, you should however be aware that B&S may deny you warranty coverage if your engine/equipment or a part has failed due to abuse, neglect, improper maintenance, or unapproved modifications.
- You are responsible for presenting your engine/equipment to a B&S distribution center, servicing dealer, or other equivalent entity, as applicable, as soon as a problem exists. The warranty repairs should be completed in a reasonable amount of time, not to exceed 30 days. If you have any questions regarding your warranty rights and responsibilities, you should contact B&S at (414) 259-5262.

Briggs & Stratton Emissions Control Warranty Provisions

The following are specific provisions relative to your Emissions Control Warranty Coverage. It is in addition to the B&S engine warranty for non-regulated engines found in the Operator's Manual.

1. Warranted Emissions Parts

Coverage under this warranty extends only to the parts listed below (the emissions control systems parts) to the extent these parts were present on the B&S engine and/or B&S supplied fuel system.

- Fuel Metering System
 - Cold start enrichment system (soft choke)
 - Carburetor and internal parts
 - Fuel pump
 - Fuel line, fuel line fittings, clamps
 - Fuel tank, cap and tether
 - Carbon canister
- Air Induction System
 - Air cleaner
 - Intake manifold
 - Purge and vent line
- Ignition System
 - Spark plug(s)
 - Magneto ignition system
- Catalyst System
 - Catalytic converter
 - Exhaust manifold
 - Air injection system or pulse valve
- Miscellaneous Items Used in Above Systems
 - Vacuum, temperature, position, time sensitive valves and switches
 - Connectors and assemblies

2. Length of Coverage

For a period of two years from date of original purchase, B&S warrants to the original purchaser and each subsequent purchaser that the engine is designed, built, and equipped so as to conform with all applicable regulations adopted by the Air Resources Board; that it is free from defects in material and workmanship that could cause the failure of a warranted part; and that it is identical in all material respects to the engine described in the manufacturer's application for certification. The warranty period begins on the date the engine is originally purchased.

The warranty on emissions-related parts is as follows:

- Any warranted part that is not scheduled for replacement as required maintenance in the owner's manual supplied, is warranted for the warranty period stated above. If any such part fails during the period of warranty coverage, the part will be repaired or replaced by B&S at no charge to the owner. Any such part repaired or replaced under the warranty will be warranted for the remaining warranty period.
- Any warranted part that is scheduled only for regular inspection in the owner's manual supplied, is warranted for the warranty period stated above. Any such part repaired or replaced under warranty will be warranted for the remaining warranty period.
- Any warranted part that is scheduled for replacement as required maintenance in the owner's manual supplied, is warranted for the period of time prior to the first scheduled replacement point for that part. If the part fails prior to the first scheduled replacement, the part will be repaired or replaced by B&S at no charge to the owner. Any such part repaired or replaced under warranty will be warranted for the remainder of the period prior to the first scheduled replacement point for the part.
- Add on or modified parts that are not exempted by the Air Resources Board may not be used. The use of any non exempted add on or modified parts by the owner will be grounds for disallowing a warranty claim. The manufacturer will not be liable to warrant failures of warranted parts caused by the use of a non exempted add on or modified part.

3. Consequential Coverage

Coverage shall extend to the failure of any engine components caused by the failure of any warranted emissions parts.

4. Claims and Coverage Exclusions

Warranty claims shall be filed according to the provisions of the B&S engine warranty policy. Warranty coverage does not apply to failures of emissions parts that are not original equipment B&S parts or to parts that fail due to abuse, neglect, or improper maintenance as set forth in the B&S engine warranty policy. B&S is not liable for warranty coverage of failures of emissions parts caused by the use of add-on or modified parts.

Look For Relevant Emissions Durability Period and Air Index Information On Your Small Off-Road Engine Emissions Label

Engines that are certified to meet the California Air Resources Board (CARB) small off-road Emissions Standard must display information regarding the Emissions Durability Period and the Air Index. Briggs & Stratton makes this information available to the consumer on our emissions labels. The engine emissions label will indicate certification information.

The **Emissions Durability Period** describes the number of hours of actual running time for which the engine is certified to be emissions compliant, assuming proper maintenance in accordance with the Operating & Maintenance Instructions. The following categories are used:

Moderate:

Engine is certified to be emissions compliant for 125 hours of actual engine running time.

Intermediate:

Engine is certified to be emissions compliant for 250 hours of actual engine running time.

Extended:

Engine is certified to be emissions compliant for 500 hours of actual engine running time. For example, a typical walk-behind lawn mower is used 20 to 25 hours per year.

Therefore, the **Emissions Durability Period** of an engine with an **intermediate** rating would equate to 10 to 12 years.

Briggs & Stratton engines are certified to meet the United States Environmental Protection Agency (USEPA) Phase 2 or Phase 3 emissions standards. The Emissions Compliance Period referred to on the Emissions Compliance label indicates the number of operating hours for which the engine has been shown to meet Federal emissions requirements.

For engines less than 225 cc displacement.

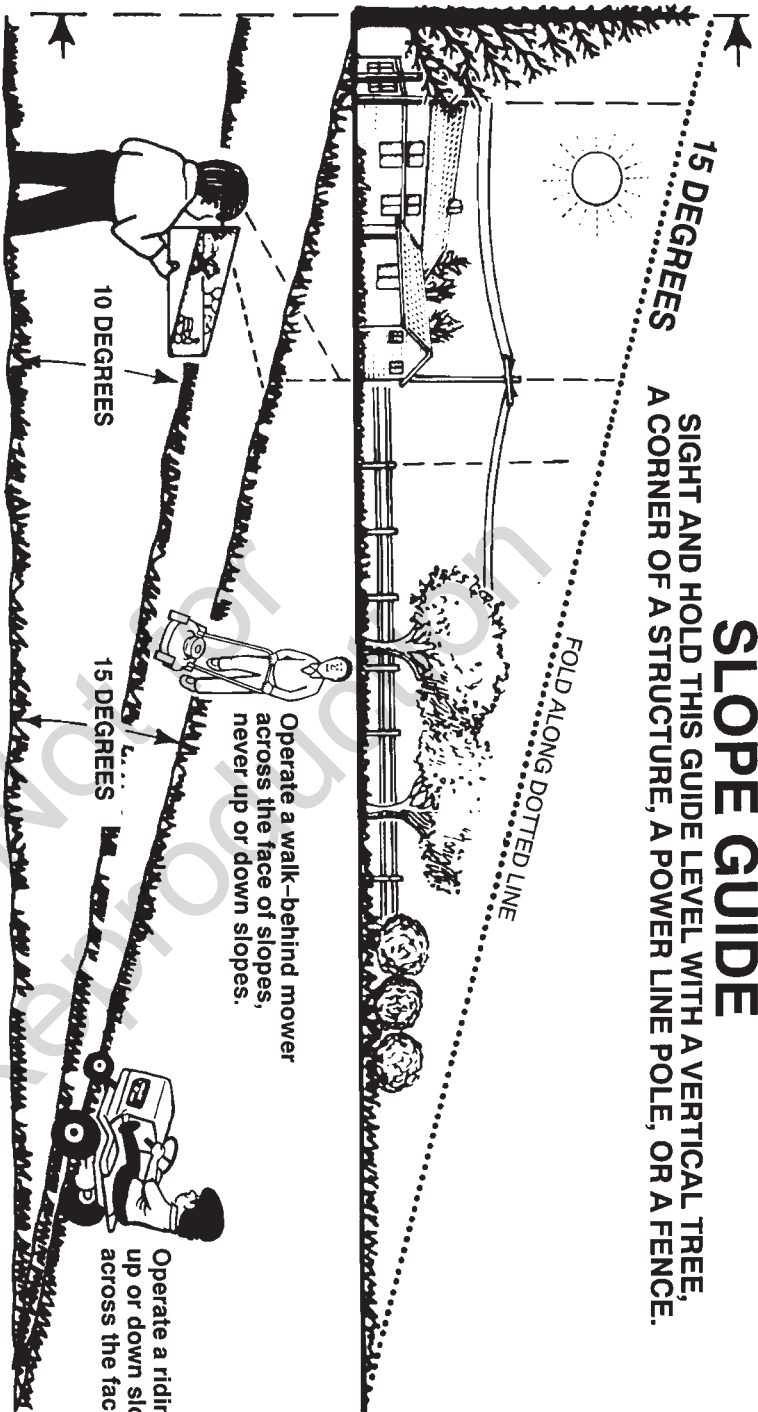
Category C = 125 hours, Category B = 250 hours, Category A = 500 hours

For engines of 225 cc or more displacement.

Category C = 250 hours, Category B = 500 hours, Category A = 1000 hours

SLOPE GUIDE

SIGHT AND HOLD THIS GUIDE LEVEL WITH A VERTICAL TREE, A CORNER OF A STRUCTURE, A POWER LINE POLE, OR A FENCE.



On a riding mower to determine if a slope is safe to mow: (1) disengage the blade(s), (2) put the unit in reverse, and (3) try to back straight up the slope. If you can back up the slope, it is generally safe to mow. However, if you do not feel safe, or if you are not completely sure, use this guide and do not mow a slope that is greater than 15 degrees. If the riding mower is used with a pull-behind or rear mounted attachment, do not operate the unit on a slope that is greater than 10 degrees.

A 15 degree slope is a hill that increases in height at approximately 2.5 feet in 10 feet.
 A 10 degree slope is a hill that increases in height at approximately 1.7 feet in 10 feet.



Use extreme care at all times, and avoid sudden turns or maneuvers. Follow other instructions in this manual for safety in mowing on slopes. Operate a riding mower up or down slopes, never across the face of slopes. Operate a walk-behind mower across the face of slopes, never up or down slopes. Use extra care when operating on or near slopes and obstructions.



21" Steel Deck Walk Mowers Series 20

Specifications	7800841	7800842 / 7800845
Mower		
Deck Size (in / cm)	21 / 53	21 / 53
Height of Cut (in / cm)	1.25 - 4 / 3,18 - 10,16	1.25 - 4 / 3,18 - 10,16
Transmission Type	---	Gear
Ground Speed (mph / kph)	---	1.2 - 4 / 1,9 - 6,4
Blade Torque (lb-ft / N.m)	40 / 54	40 / 54
Engine		
Gross Engine Power * (lb-ft)	7.25	7.25
Engine Displacement (cc)	190	190
Fuel Tank Capacity (qt / l)	1.0 / 0,95	1.0 / 0,95
Oil Capacity (oz / l)	18 - 20 / 0,54 - 0,59	18 - 20 / 0,54 - 0,59
Spark Plug Gap (in / mm)	0.020 / 0,50	0.020 / 0,50
Spark Plug Torque (lb-in / N.m)	180 / 20	180 / 20

* Power Rating

The gross power rating for individual gas engine models is labeled in accordance with SAE (Society of Automotive Engineers) code J1940 (Small Engine Power & Torque Rating Procedure), and rating performance has been obtained and corrected in accordance with SAE J1995 (Revision 2002-05). Torque values are derived at 3060 RPM; horsepower values are derived at 3600 RPM. The gross power curves can be viewed at www.BRIGGSandSTRATTON.COM. Net power values are taken with exhaust and air cleaner installed whereas gross power values are collected without these attachments. Actual gross engine power will be higher than net engine power and is affected by, among other things, ambient operating conditions and engine-to-engine variability. Given the wide array of products on which engines are placed, the gas engine may not develop the rated gross power when used in a given piece of power equipment. This difference is due to a variety of factors including, but not limited to, the variety of engine components (air cleaner, exhaust, charging, cooling, carburetor, fuel pump, etc.), application limitations, ambient operating conditions (temperature, humidity, altitude), and engine-to-engine variability. Due to manufacturing and capacity limitations, Briggs & Stratton may substitute an engine of higher rated power for this Series engine.

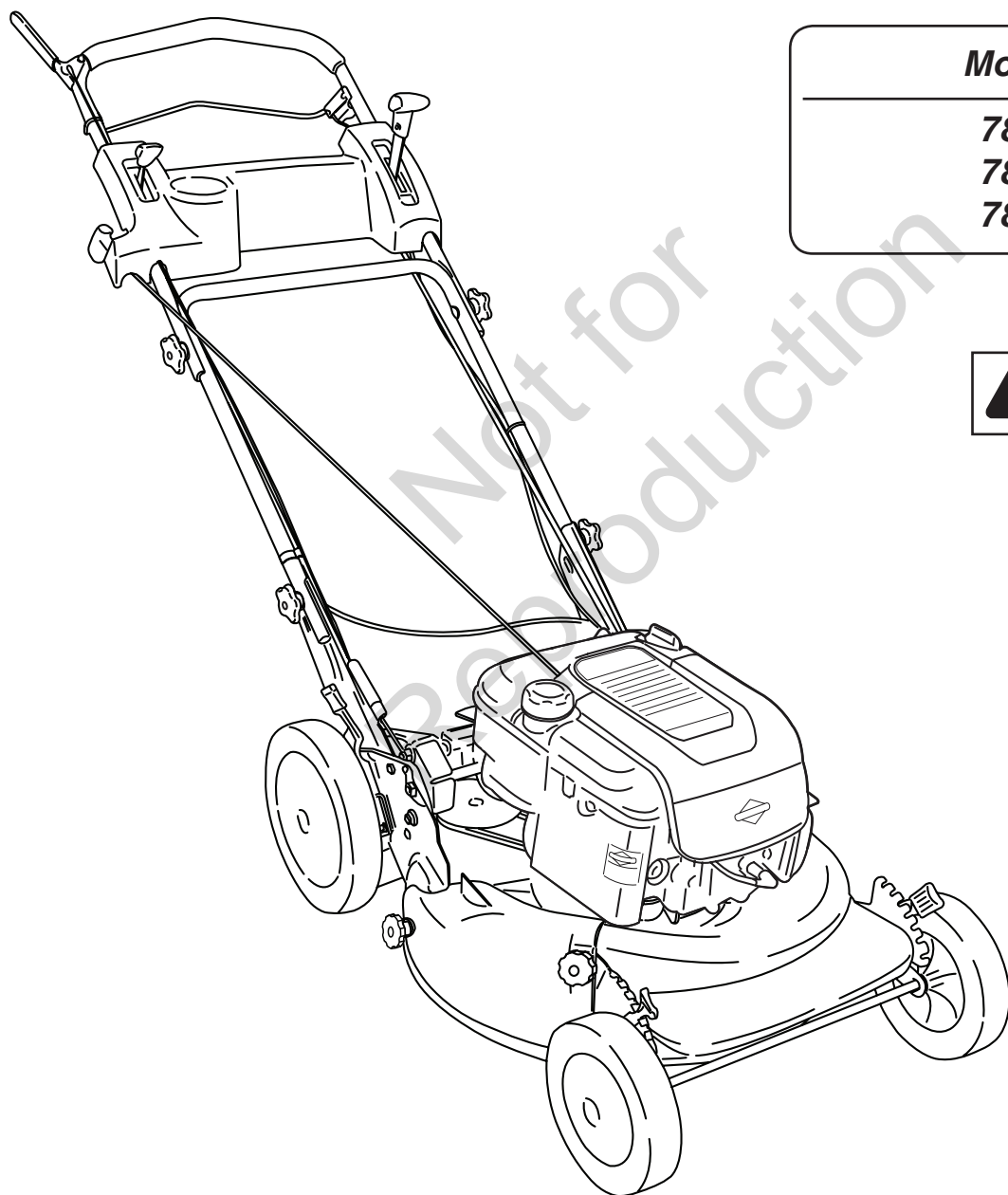


800-935-2967
www.snapper.com

Manuel d'utilisation

SNAPPER®

*Tondeuses à pousser avec plateau de coupe
en acier de 21 po (53 cm) de la série 20*



<i>Modèle N°</i>
<i>7800841</i>
<i>7800842</i>
<i>7800845</i>



Nous vous remercions d'avoir acheté ce produit de qualité Snapper. Nous sommes heureux de la confiance que vous accordez à la marque Snapper. Si elle est utilisée et entretenue selon les instructions de ce manuel, votre tondeuse Snapper vous procurera de nombreuses années de service fiable.

Ce manuel contient des informations relatives à la sécurité afin que vous connaissiez les dangers et risques qui sont liés à la machine et la façon de les éviter. Cette machine est conçue et faite uniquement pour la tonte soignée de gazons bien entretenus et elle n'est destinée à aucune autre utilisation. Il est important de lire et comprendre parfaitement ces instructions avant d'essayer de mettre en marche ou de faire fonctionner cet équipement. **Conservez ces instructions d'origine pour vous y reporter dans le futur.**

Date d'achat _____

Revendeur _____

Numéro de téléphone du détaillant _____

Machine

Numéro du modèle _____

Numéro de série _____

Moteur

Modèle _____ Type _____ Code _____

Not for
Reproduction

Copyright © 2012 Briggs & Stratton Power Products Group, LLC.
Milwaukee, WI, É.-U. Tous droits réservés.

SNAPPER est une marque commerciale de
Briggs & Stratton Power Products Group, LLC.

Table des matières

Sécurité de l'opérateur	4
Fonctions et commandes	10
Fonctionnement	11
Avant le démarrage	11
Huiles recommandées	11
Recommandations de carburant	12
Démarrer la tondeuse	12
Déplacement de la tondeuse	12
Arrêter la tondeuse	13
Réglage de la hauteur de coupe	13
Réglage de la hauteur de coupe	13
Opération de déchiquetage	14
Installation du déflecteur d'éjection	14
Installation du sac à herbe	15
Entretien	17
Tableau de maintenance	17
Changer l'huile moteur	18
Remplacer le filtre à huile (si le moteur en est équipé)	18
Entretien du filtre à air	18
Vérifier le système de verrouillage de sécurité	19
Débarassez la tondeuse de débris	19
Procédure de remisage	19
Entretien	20
Dépannage	28
Garanties	29
Guide de conduite sur les pentes	31



AVERTISSEMENT



L'utilisation ou le fonctionnement du moteur sur des terrains forestiers, broussailleux ou herbeux constitue une violation de la Section 4442 du Code des ressources publiques de Californie, à moins que le système d'échappement ne soit équipé d'un pare-étincelles, comme le définit la Section 4442, maintenu en bon état de marche. D'autres états ou juridictions fédérales peuvent avoir des lois similaires. Contacter le fabricant, détaillant ou revendeur d'origine de la machine pour obtenir un pare-étincelles conçu pour le système d'échappement installé sur ce moteur.



AVERTISSEMENT



Les relais, bornes et autres accessoires de la batterie contiennent du plomb, des composants en plomb, et produits chimiques. L'État de Californie est conscient qu'ils peuvent provoquer des maladies cancérogènes, des anomalies congénitales ou autres dangers de reproduction. Se nettoyer les mains après la manipulation.



AVERTISSEMENT



Les gaz d'échappement du moteur, certains de leurs constituants, et les composants de certains véhicules émettent ou contiennent des produits chimiques, qui selon l'État de Californie, peuvent provoquer des maladies cancérogènes ou autres dangers de reproduction.

Sécurité de l'opérateur



Sécurité de fonctionnement

Un matériel électrique est sûr tant que l'est son utilisateur. Il peut être dangereux s'il n'est pas utilisé à bon escient ou s'il n'est pas correctement entretenu ! Rappel : l'utilisateur est responsable de sa propre sécurité et de celle de ceux qui sont à ses côtés.

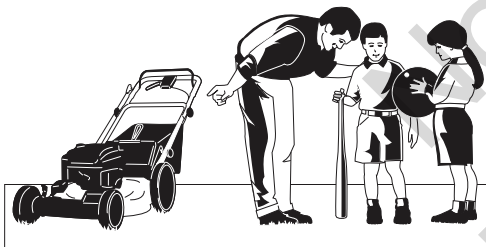
Faire preuve de bon sens et bien penser à ce que l'on fait. En cas de doute sur une opération à effectuer sans danger avec l'équipement choisi, s'adresser à un professionnel : Contacter le distributeur local homologué.

Lecture du manuel

Le manuel d'utilisation comporte d'importantes informations relatives à la sécurité qu'il faut connaître AVANT d'utiliser la machine ainsi que PENDANT son fonctionnement.

Ce manuel comporte des techniques de fonctionnement en toute sécurité, une explication des caractéristiques et des commandes de la machine et des informations relatives à l'entretien pour profiter au maximum de l'investissement dans la machine.

S'assurer de lire, dans son intégralité, la section sur les règles et informations relatives à la sécurité figurant dans les pages suivantes. Lire également la section sur le fonctionnement dans son intégralité.



Enfants

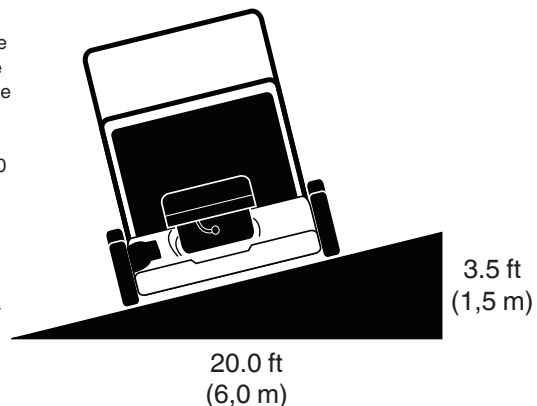
Des accidents tragiques peuvent se produire avec des enfants. Ne jamais leur permettre de se tenir à proximité de la zone d'opération. Les enfants sont souvent attirés par la machine et l'activité de tonte. Ne jamais supposer que les enfants resteront là où ils ont été vus pour la dernière fois. S'il existe un risque que des enfants puissent venir à proximité de l'endroit où l'on tond, demander à un autre adulte responsable de les surveiller.

Fonctionnement en pente

Il existe un danger grave de blessure, voire de mort, en cas d'utilisation de cette machine dans une pente trop raide. Utiliser la machine sur une pente trop raide ou sur laquelle la stabilité ou la traction est inadéquate peut entraîner la perte de contrôle ou la chute et glissade.

Vous ne devez pas utiliser la machine sur des pentes de déclivité supérieure 10 degrés, ce qui est 1,5 m (3,5 pi) d'élévation pour 6,0 m (20,0 pi). Toujours tondre les pentes en travers et jamais de haut en bas.

Noter également que la surface que vous êtes entrain de tondre peut considérablement affecter le contrôle. De l'herbe mouillée ou des feuilles peuvent gravement affecter votre stabilité et traction sur une pente. En cas de doute sur l'utilisation de l'unité sur un plan incliné, ne pas l'utiliser. Ça ne vaut pas le coup.



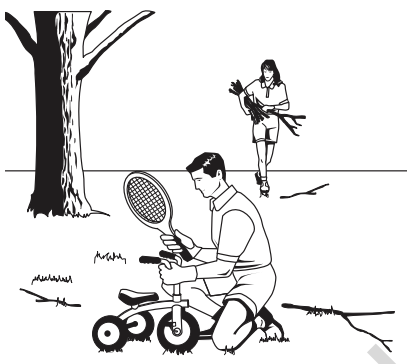
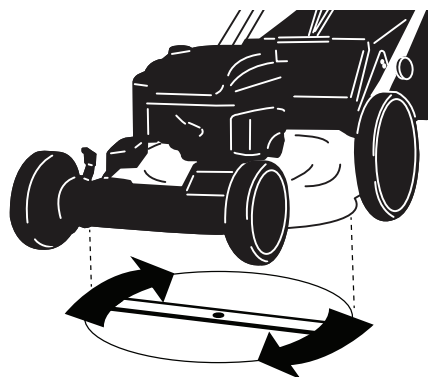
Sécurité de l'opérateur

Pièces en mouvement

Cette machine comporte des pièces en mouvement qui peuvent blesser l'utilisateur ou autrui. Néanmoins si vous vous tenez derrière la poignée correctement et suivez scrupuleusement toutes les règles figurant dans ce manuel, il n'y a aucun danger à se servir de cette machine.

Le plateau de coupe de la tondeuse comporte une lame de tondeuse rotative susceptible d'amputer les mains et les pieds. Ne jamais laisser qui que ce soit près de la machine quand elle est en marche !

Pour vous aider, vous l'utilisateur, à utiliser ce matériel en toute sécurité, il est équipé d'un système de sécurité détectant la présence du conducteur. **NE PAS** tenter d'altérer ni de contourner le dispositif. Consulter le distributeur immédiatement si le dispositif ne réussit pas tous les tests du système de verrouillage de sécurité figurant dans ce manuel.



Objets projetés

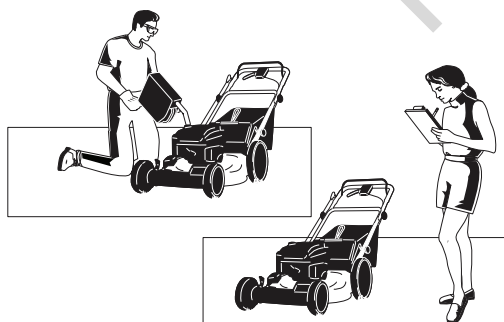
Cette unité comporte une lame de tondeuse rotative. Cette lame peut ramasser et projeter des débris susceptibles de gravement blesser un spectateur. S'assurer de bien nettoyer la zone à tondre **AVANT** de commencer à tondre.

Ne pas utiliser cette unité avant d'avoir mis le bac de ramassage complet ou la protection d'évacuation (déflecteur) en place.

En outre, ne jamais laisser qui que ce soit près de la machine quand elle est en marche ! Si quelqu'un se trouve dans la zone, arrêter immédiatement la machine et attendre que cette personne parte.

Accumulation de débris

L'accumulation d'herbe et de débris peut provoquer un incendie. S'assurer de nettoyer toute accumulation d'herbe et de débris avec une brosse ou de l'air comprimé, avant et après utilisation.



Carburant et entretien

L'essence est extrêmement inflammable. Ses vapeurs sont également extrêmement inflammables et peuvent se déplacer vers des sources de combustion à distance. Utiliser l'essence uniquement comme carburant, non pas comme solvant ou nettoyant. Ne jamais remiser l'essence dans des endroits où ses vapeurs peuvent s'accumuler ou se déplacer vers une source de combustion telle qu'une veilleuse. Le carburant doit être remisé dans des bidons en plastique, hermétiques et homologués, ou dans le réservoir d'essence du tracteur, le bouchon étant bien fermé. Essuyer immédiatement toute éclaboussure d'essence.

Un entretien adéquat est essentiel à la sécurité et à la performance de la machine. S'assurer d'effectuer les procédures d'entretien indiquées dans ce manuel et surtout, de tester périodiquement le dispositif de sécurité.

Sécurité de l'opérateur



AVERTISSEMENT : Cette machine très puissante peut provoquer l'amputation d'une main ou d'un pied ou le jet d'objets pouvant causer des blessures ou détériorations! Le fait de ne pas satisfaire les instructions de SECURITÉ suivantes pourrait causer des blessures graves ou la mort de l'opérateur ou d'autres personnes. Le propriétaire de cette machine doit comprendre ces instructions et doit permettre uniquement que des personnes qui les comprennent puissent opérer la machine. Toute personne utilisant cette machine doit être saine d'esprit et de corps et ne doit pas être sous l'influence d'une substance quelconque pouvant modifier sa vision, sa dextérité ou sa capacité de jugement.

PROTECTION DES ENFANTS

Des accidents tragiques peuvent se produire lorsque l'opérateur n'est pas averti de la présence d'enfants. Les enfants sont souvent attirés par la machine et l'activité de tonte. Ne jamais supposer que les enfants resteront là où ils ont été vus pour la dernière fois.

1. Les enfants **DOIVENT** être éloignés de la zone de tonte et sous la stricte vigilance d'un adulte autre que l'opérateur.
2. **NE JAMAIS** autoriser que les enfants restent sur le terrain à tondre lorsque la machine est en fonctionnement. Éteindre cette dernière si quelqu'un rentre dans la zone de tonte.
3. **NE PERMETTEZ PAS** à des adolescents d'utiliser la machine.
4. **PERMETTEZ** uniquement aux adultes responsables et aux adolescents faisant preuve de maturité dans leur jugement sous étroite supervision d'un adulte d'utiliser la machine.
5. **NE JAMAIS** tirer la tondeuse vers l'arrière à moins que ce ne soit vraiment nécessaire. **REGARDEZ** partout pour **VOIR** s'il y a des enfants, des animaux ou des obstacles avant et pendant la marche arrière.
6. Faire preuve **DE PRUDENCE** à l'approche d'angles morts, d'arbustes, d'arbres et d'autres objets susceptibles de masquer la vision.

UTILISATION SUR TERRAIN PENTU

1. Les pentes sont une des raisons principales des accidents liés aux chutes ou glissades. Ils peuvent causer des blessures graves. Faire preuve de prudence supplémentaire sur toutes les pentes. Si vous ne vous sentez pas à l'aise sur une pente, **NE LA TONDEZ PAS**.
2. Tondre les pentes en travers et jamais de haut en bas. Faire preuve d'extrême **PRUDENCE** lorsque vous changez la direction de la machine sur une pente. **NE JAMAIS** tondre des pentes raides ou sur toute autre surface qui a un effet négatif sur la traction ou stabilité de la machine. Rapportez-vous au guide pour les pentes au dos de ce manuel.
3. Faites extrêmement attention lors de l'utilisation de bac à herbes ou d'autres accessoires ; ils affectent la conduite et la stabilité de la machine.

PRÉPARATION

1. Il est important que vous lisiez, compreniez et suiviez les instructions de ce manuel et se trouvant sur la machine, le moteur et les accessoires. Veuillez vous familiariser avec les commandes de la machine et apprendre à l'utiliser de manière adéquate avant de la mettre en marche.
2. Seules les personnes responsables et mûres peuvent opérer cette machine et uniquement après qu'elles aient été formées de manière adéquate.
3. Les données indiquent que les utilisateurs, âgés d'au moins 60 ans, sont impliqués dans un fort pourcentage des blessures associées à la tondeuse. Ces utilisateurs doivent évaluer leur capacité à faire fonctionner la machine de manière suffisamment sûre pour se protéger et protéger autrui de toute blessure grave.

PRÉPARATION

(Suite de la colonne précédente)

4. Veuillez manipuler l'essence avec la plus grande des précautions. Les carburants sont inflammables et les vapeurs sont explosives. Utilisez uniquement un récipient à essence homologué. **NE PAS** enlever le bouchon du réservoir de carburant ou ajouter de l'essence lorsque le moteur est en fonctionnement. Ajouter de l'essence lorsque la machine est à l'extérieur et uniquement si le moteur est arrêté et froid. Veuillez essuyer les éclaboussures de carburant sur la machine. **NE PAS** fumer.
5. Vérifier la zone à tondre et enlever tous les objets, tels que les jouets, les câbles, les branches, les cailloux, et autres objets qui pourraient causer des blessures s'ils étaient projetés par une lame ou s'ils interféraient avec la tonte. Veuillez également observer l'emplacement des trous, des obstacles et d'autres possibles dangers.
6. Veuillez maintenir les personnes et les animaux en dehors de la zone de tonte. Veuillez immédiatement **ARRÊTER** les lames, le moteur et la machine si quelqu'un rentre dans la zone de tonte.
7. Veuillez vérifier fréquemment les commandes des protecteurs, déflecteurs, interrupteurs, et autres dispositifs de sécurité.
8. Veuillez vérifier que les étiquettes de sécurité sont toutes clairement lisibles. Remplacez-les si elles sont endommagées.
9. Protégez-vous quand vous tondez et portez des lunettes de protection, des pantalons longs et de solides chaussures. **NE TONDEZ** pas pieds nus ou avec des sandales.
10. Apprenez comment **ARRÊTER** les lames et le moteur rapidement afin d'être prêt à toute urgence.
11. Faire très attention lors du chargement ou du déchargement de la machine sur une remorque ou un camion.
12. Vérifiez les composants du bac à ramassage afin de contrôler leur usure ou détérioration. Remplacez-les si nécessaire afin d'empêcher que des objets projetés, passant à travers des trous endommagés ou usés, ne blessent quelqu'un.

MANIPULATION D'ESSENCE EN TOUTE SÉCURITÉ

Afin d'éviter toute blessure ou d'endommager un bien, veuillez manipuler l'essence avec précaution extrême. L'essence est extrêmement inflammable et ses vapeurs sont explosives.

1. Éteindre cigarettes, cigares, pipes et autres sources de combustion.
2. Utilisez uniquement un récipient à essence homologué.
3. **NE PAS** enlever le bouchon du réservoir de carburant ou ajouter de l'essence lorsque le moteur est en fonctionnement. Laisser le moteur refroidir avant de faire le plein.
4. **NE PAS** remplir le réservoir d'essence alors que la machine se trouve à l'intérieur d'un espace.
5. **NE PAS** remiser la machine ou le bidon de carburant où il y a une flamme nue, une étincelle ou une veilleuse, comme près d'un chauffe-eau ou de tout autre appareil ménager.
6. **NE remplissez PAS** des récipients à l'intérieur d'un véhicule, d'un camion ou d'une remorque avec une bâche en plastique. Toujours placer les bidons sur le sol, éloignés de tout véhicule, avant de les remplir.

MANIPULATION D'ESSENCE EN TOUTE SÉCURITÉ

(Suite de la page précédente)

7. Retirer tout équipement à essence du camion ou de la remorque et faire le plein sur le sol. Quand cela n'est pas possible, faire le plein de la machine avec un bidon portable plutôt qu'avec un distributeur d'essence.
8. **NE PAS** démarrer des équipements à essence près des véhicules ou des remorques.
9. Garder le bec en contact avec le bord du réservoir d'essence ou de l'ouverture du bidon à tout moment jusqu'à obtention du plein. **NE PAS** utiliser de dispositif à ouverture bloquée de bec.
10. En cas d'éclaboussures d'essence sur les vêtements, en changer immédiatement.
11. **NE JAMAIS REMPLIR** en excès le réservoir de carburant. Remettre le bouchon d'essence en place et bien serrer.

FONCTIONNEMENT

1. **NE JAMAIS** placer les mains ou les pieds près ou en-dessous des pièces en mouvement. Veuillez maintenir la zone de décharge libre de toute personne lorsque le moteur est en fonctionnement.
2. **ARRÊTER** le moteur lorsque vous traversez des chemins, routes, allées en gravier, et chaque fois que la machine peut projeter des objets.
3. N'utiliser la machine qu'à la lumière du jour ou dans une lumière artificielle de bonne qualité.
4. **NE PAS** utiliser la machine sous l'emprise de l'alcool ou de drogues.
5. Si vous avez cogné un obstacle ou si la tondeuse vibre de manière anormale, **ARRÊTEZ** le moteur, et déconnectez en toute sécurité le câble de la bougie. Contrôlez si la tondeuse a été endommagée et réparez-la avant de la faire fonctionner de nouveau.
6. **NE PAS** tondre à proximité d'à-pics, de fossés ou de talus. L'opérateur peut perdre l'équilibre.
7. **FAITES ATTENTION** aux trous et autres obstacles dangereux. L'herbe haute peut cacher des obstacles. Maintenir éloigné des fossés, des caniveaux, des clôtures et des objets en saillie.
8. **NE PAS** tondre de l'herbe mouillée. Maintenir toujours l'équilibre. Tenir fermement la poignée et marcher, ne jamais courir. Les glissades peuvent être source de blessures graves.
9. **RESTER TOUJOURS** derrière la poignée lorsque le moteur est en fonctionnement.
10. **NE JAMAIS** quitter la machine si le moteur est en fonctionnement. **ARRÊTER LA LAME** et **LE MOTEUR** avant de quitter le siège de l'opérateur, quel qu'en soit la raison.
11. Lors du nettoyage, des réparations ou des inspections, s'assurer que le moteur, la lame et toutes les pièces en mouvement sont arrêtés. Débrancher en toute sécurité le câble de la bougie afin d'empêcher le démarrage accidentel de la machine.
12. **ARRÊTER** le moteur et attendre que la lame se soit totalement **ARRÊTÉE** avant d'enlever le sac à herbe et/ou de nettoyer l'herbe.
13. **NE PAS** utiliser la tondeuse sans que le sac à herbe complet, la protection arrière ou d'autres dispositifs de sécurité ne soient installés et fonctionnent. **NE PAS** orienter la décharge vers des personnes, des voitures, des fenêtres ou des portes.

FONCTIONNEMENT

(Suite de la colonne précédente)

14. **NE PAS** décharger du matériel contre un mur ou une obstruction. Le matériau risque de ricocher vers l'opérateur.
15. Ralentir avant de tourner.
16. Surveiller la circulation lors de l'utilisation à proximité des routes ou en les traversant.
17. **NE PAS** faire fonctionner le moteur dans des espaces fermés. Les gaz d'échappement du moteur contiennent du monoxyde de carbone qui est un poison mortel.
18. Utilisez uniquement des accessoires approuvés par le fabricant. Voir les instructions du fabricant pour le bon fonctionnement et l'installation des accessoires.

ENTRETIEN ET REMISAGE

1. **NE PAS** remiser la machine ou le bidon de carburant dans un espace où les fumées peuvent atteindre une flamme nue, une étincelle ou une veilleuse, comme près d'un chauffe-eau, une chaudière, un sèche-linge ou tout autre appareil à gaz. Laisser le moteur refroidir avant de remiser la machine dans un endroit clos. Remiser les récipients de carburant dans un endroit où les enfants ne peuvent pas les atteindre, et qui soit bien aéré et inhabité.
2. Veuillez enlever le gazon, les feuilles et tout excès de graisse du moteur afin d'éviter les incendies et la surchauffe de ce dernier.
3. Lorsque vous réalisez la vidange du réservoir de carburant, videz l'essence dans un récipient approuvé et au sein d'un espace ouvert loin de toute flamme nue.
4. Veuillez bien serrer tous les boulons (en particulier les boulons de la lame), écrous et vis. Vérifier que toutes les goupilles fendues soient en bonne position.
5. Contrôler que le moteur soit bien aéré lors du fonctionnement. Les gaz d'échappement du moteur contiennent du monoxyde de carbone qui est un poison mortel.
6. Réparer le moteur et réaliser des réglages uniquement lorsque ce dernier est à l'arrêt. Enlever le câble de la bougie de cette dernière et placez-le dans un endroit éloigné de la bougie afin d'empêcher tout démarrage accidentel.
7. **NE PAS** changer les paramètres du régulateur de vitesse du moteur ni emballer le moteur.
8. Vérifier le sac à herbe fréquemment afin de voir s'il est usé ou détérioré et éviter que des objets ne soient projetés et l'exposition aux pièces en mouvement. Remplacer avec un nouveau sac si vous observez que les jonctions sont desserrées ou des déchirures. Remplacer la glissière ou l'adaptateur du sac s'il est cassé ou fêlé.
9. Les lames de la tondeuse sont aiguisées et peuvent couper. Emballez les lames ou portez des gants résistants, et faites preuve de la plus grande des **PRECAUTIONS** lorsque vous les manipulez.
10. **NE PAS** essayer l'étincelle avec une mise à terre proche des puits de bougie ; la bougie d'allumage pourrait enflammer les gaz sortant du moteur.
11. Faites réviser la machine par un revendeur agréé au moins une fois par an et faites installer par le revendeur tout nouveau dispositif de sécurité.
12. Utilisez uniquement des pièces de rechange d'origine homologuées ou similaires lors de réparations.

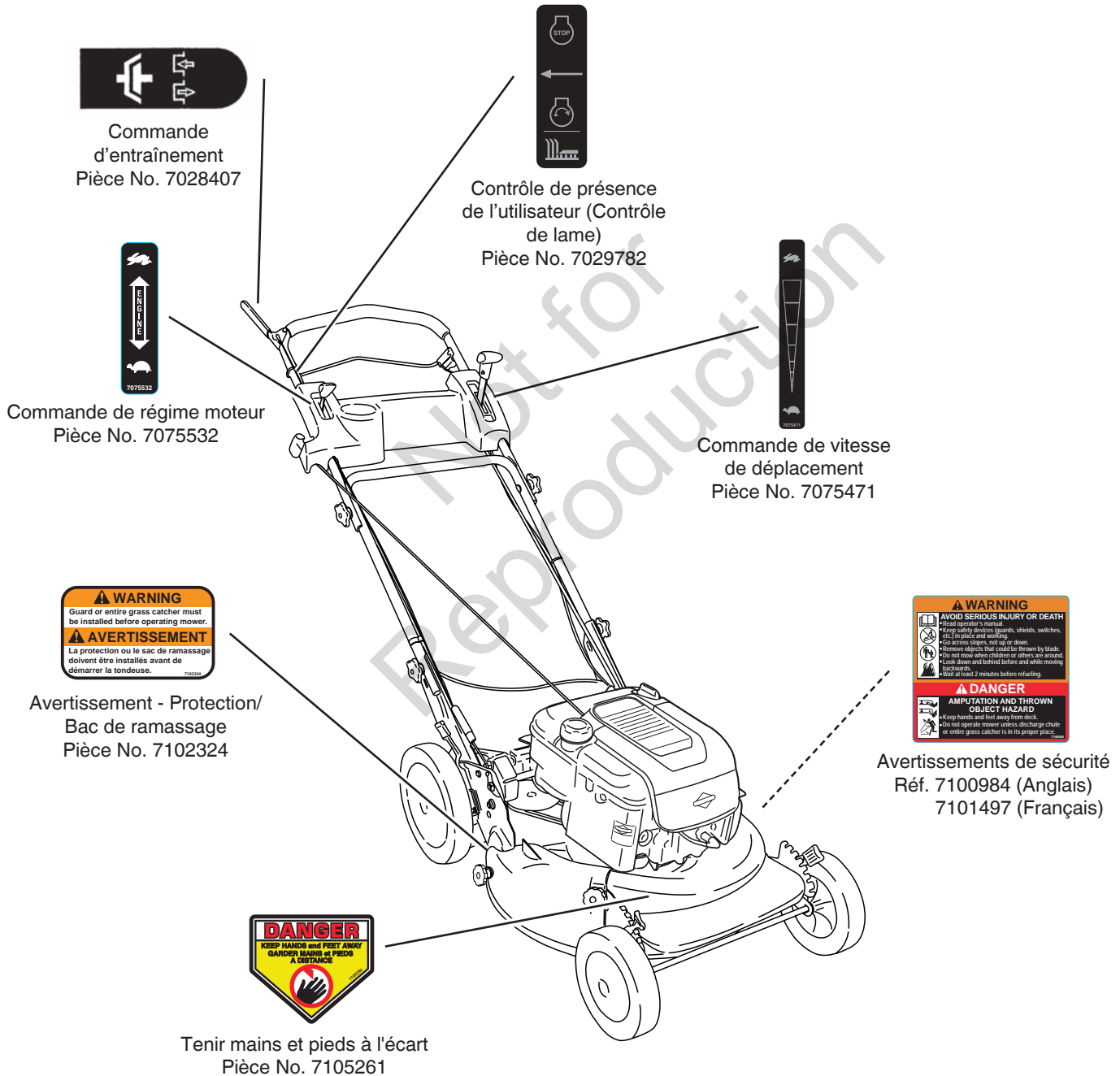
Sécurité de l'opérateur

Étiquettes de sécurité et de fonctionnement

La lecture de ce manuel et des instructions de sécurité qu'il contient vous fournira les connaissances nécessaires à l'utilisation de cette tondeuse en toute sécurité et efficacité. Cependant, plusieurs étiquettes autocollantes concernant la sécurité et l'utilisation ont également été placées sur la tondeuse pour vous rappeler ces informations importantes pendant l'utilisation.

Les étiquettes autocollantes indiquées ci-dessous se trouvent sur la tondeuse. Les avertissements de sécurité et les instructions d'utilisation qu'elles contiennent doivent être lus attentivement, compris et suivis. **Le fait de ne pas suivre ces avertissements et ces instructions importants peut entraîner de graves blessures corporelles, voire la mort.**

Si l'une des étiquettes autocollantes est perdue ou endommagée, remplacez-la immédiatement. Contactez votre revendeur pour obtenir des étiquettes autocollantes de remplacement.



Explication des étiquettes autocollantes de sécurité



A. AVERTISSEMENT : Évitez les blessures graves ou la mort



Lisez le manuel d'utilisateur avant de mettre la tondeuse en marche.



Tondez en travers des pentes et non vers le haut ou vers le bas.



Afin d'éviter de blesser les autres, ne tondez pas lorsque des personnes, en particulier des enfants, sont autour de vous.



Afin de réduire les risques d'incendie, attendez au moins 2 minutes avant de faire l'appoint en carburant.

B. DANGER : Risques d'amputation et d'objets projetés



Pour éviter de graves blessures, voire la mort, gardez en permanence les mains et les pieds éloignés du plateau de coupe de la tondeuse pendant l'utilisation.

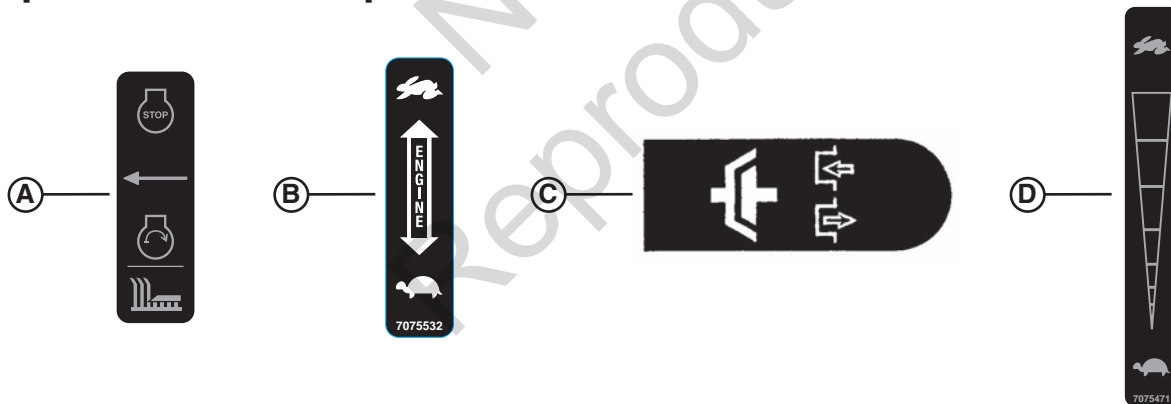


Afin d'éviter d'être blessé par des objets projetés, n'utilisez pas la tondeuse à moins que les composants de déchetage, d'éjection ou de ramassage d'herbe ne soient convenablement installés.

C. DANGER : Tenez les mains et les pieds à l'écart.

D. AVERTISSEMENT : La protection ou le sac à herbe en entier doivent être installés avant d'utiliser la tondeuse.

Explication des étiquettes autocollantes d'utilisation



A. Contrôle de présence de l'utilisateur (Contrôle de lame)

- Serrez le contrôle de lame pour démarrer le moteur et actionner la lame.
- Relâchez le contrôle de lame pour arrêter le moteur et la lame.

B. Commande de régime du moteur

- Déplacez la commande de régime du moteur dans le sens indiqué pour augmenter ou diminuer le régime du moteur.

C. Commande d'entraînement

- Serrez la commande d'entraînement contre la poignée pour engager l'entraînement des roues.

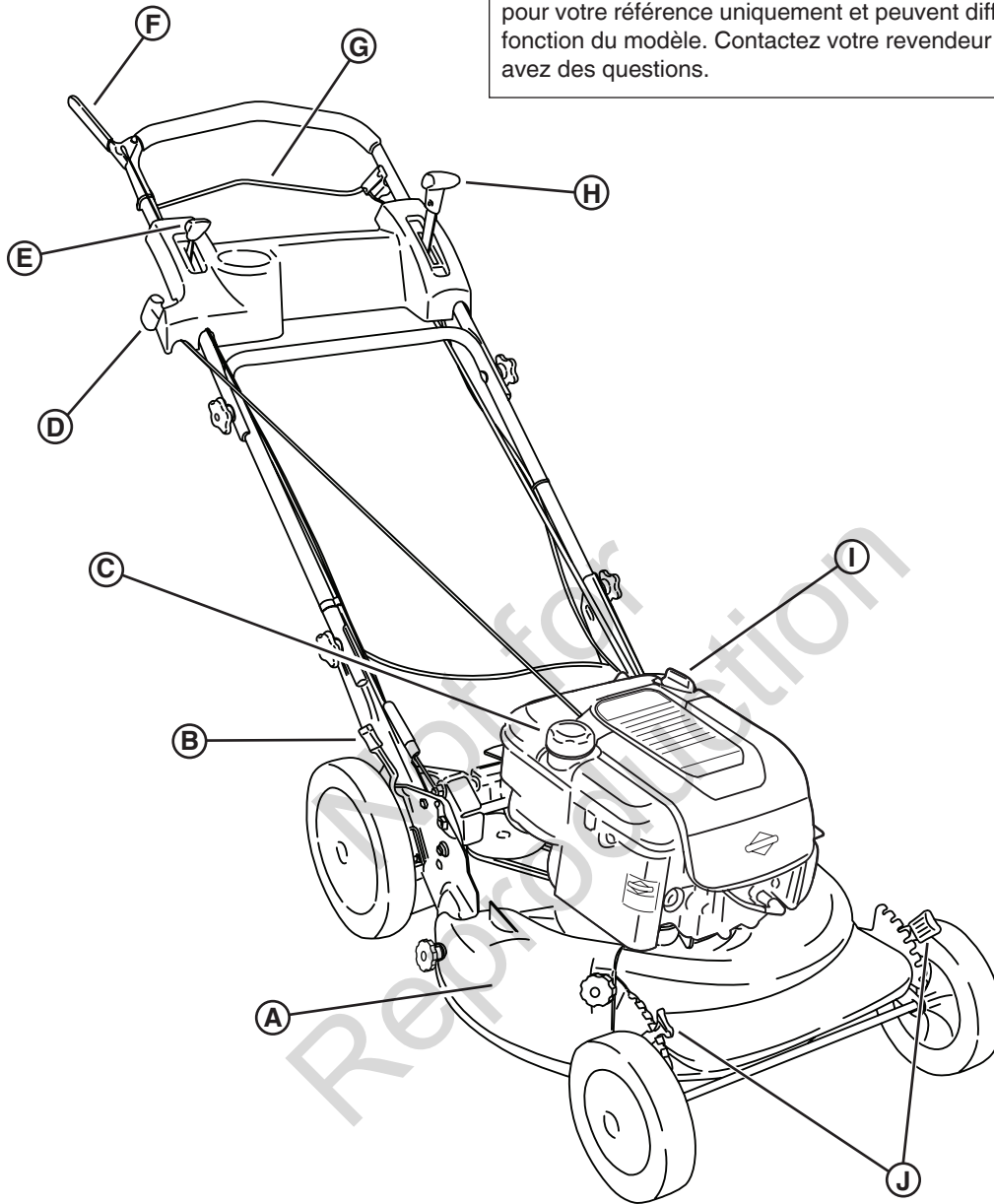
D. Commande de vitesse de déplacement

- Déplacez la commande de vitesse de déplacement vers la position rapide (lapin) pour augmenter la vitesse de déplacement.
- Déplacez la commande de vitesse de déplacement vers la position lente (tortue) pour augmenter la vitesse de déplacement.

Fonctions et commandes

IMPORTANT

Les données et illustrations de ce manuel sont fournies pour votre référence uniquement et peuvent différer en fonction du modèle. Contactez votre revendeur si vous avez des questions.



- | | | | |
|----|---|----|---|
| A. | Capot de déchetage | G. | Commande de la lame |
| B. | Fixation de réglage de la hauteur arrière (2) | H. | Commande de vitesse de déplacement |
| C. | Bouchon de remplissage de carburant | I. | Bouchon de remplissage d'huile et jauge |
| D. | Poignée à corde du démarreur | J. | Fixation de réglage de la hauteur avant (2) |
| E. | Commande de régime moteur | | |
| F. | Commande d'entraînement | | |

Avant le démarrage

1. Vérifiez les protections, les déflecteurs, le sac à herbe et les capots pour vous assurer qu'ils soient tous en place et solidement attachés.
2. Vérifiez le contrôle de lame (**A, Figure 1**), la commande d'entraînement (**B**), ainsi que la commande de vitesse de déplacement (**C**) pour vous assurer qu'elles fonctionnent librement.

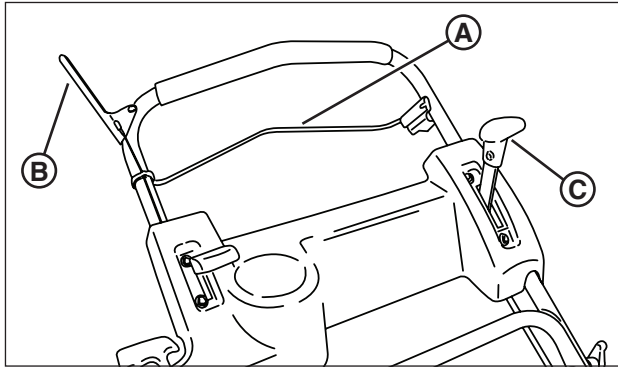


Figure 1: Commandes de tondeuse

3. Vérifiez la hauteur de coupe. Réglez à la hauteur voulue. Reportez-vous à la section intitulée 'Réglage de hauteur de coupe'.
4. Vérifiez le niveau d'huile du moteur :
 - Assurez-vous que la tondeuse repose sur une surface plane.
 - Débarrassez la zone de remplissage d'huile des débris.
 - Retirez la jauge d'huile (**A, Figure 2**) et essuyez-la avec un chiffon propre.
 - Insérez la jauge d'huile et serrez-la.
 - Retirez la jauge d'huile et vérifiez le niveau d'huile. Il devrait atteindre le haut de la marque « plein » **B** sur la jauge d'huile.
 - Si le niveau est bas, ajoutez lentement de l'huile dans l'orifice de remplissage du moteur. Reportez-vous à la section intitulée « Recommandations d'huile ». **Ne pas trop remplir.** Après avoir ajouté de l'huile, attendez une minute, puis vérifiez à nouveau le niveau d'huile.
 - Remplacez la jauge d'huile et serrez-la.

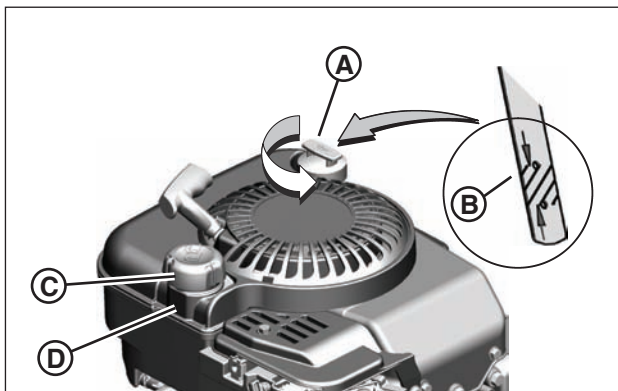


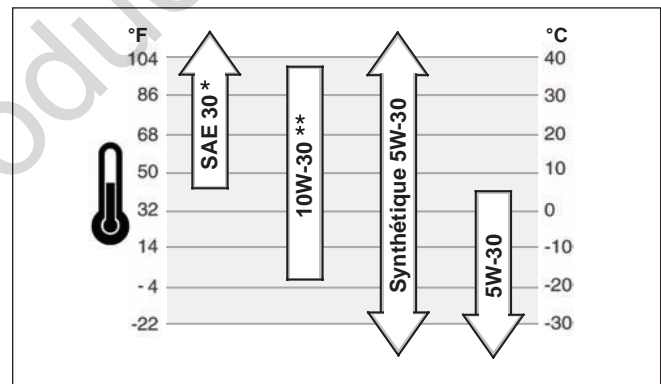
Figure 2: Remplissage d'huile et de carburant

5. Ajoutez de l'essence dans le réservoir :
 - Assurez-vous que la tondeuse soit à l'extérieur pour que les fumées puissent se dissiper en toute sécurité.
 - Retirez le bouchon du réservoir d'essence (**C, Figure 2**).
 - Remplissez le réservoir avec du carburant. Reportez-vous à la section intitulée 'Recommandations pour le carburant'. Pour permettre à l'essence de se détendre, ne dépassez pas la base du col du réservoir de carburant (**D**) en le remplissant.
 - Remplacez le bouchon du réservoir.
6. Nettoyez les surfaces extérieures du plateau de coupe et du moteur pour les débarrasser de toute accumulation de carburant renversé, de poussière, d'herbe, d'huile, etc. Veillez à ce que le filtre de prise d'air et les ailettes de refroidissement du moteur soient en permanence libres de toute obstruction.

Huiles recommandées

Nous recommandons l'utilisation d'huiles garanties et certifiées Briggs & Stratton pour obtenir les meilleures performances. D'autres huiles détergentes de haute qualité sont acceptables si elles sont de catégorie SF, SG SH, SJ ou supérieure. Ne pas utiliser d'additifs spéciaux.

Les températures extérieures déterminent la viscosité de l'huile convenant au moteur. Utiliser le tableau pour sélectionner la meilleure viscosité pour la fourchette de températures extérieures prévues.



* En-dessous de 40° F (4° C), il sera difficile de démarrer le SAE 30.

** Au-dessus de 27° C (80° F), l'utilisation d'huile 10W-30 peut augmenter la consommation d'huile. Vérifier le niveau d'huile plus fréquemment.

Fontionnement

Recommandations de carburant

Le carburant doit répondre aux critères suivants :

- Essence sans plomb, propre et fraîche avec
- un minimum de 87 octanes/87AKI (90 RON).
- Une essence contenant jusqu'à 10 % d'éthanol (carburant) ou jusqu'à 15 % d'éther méthyl-tertiobutylique est acceptable.
- **MISE EN GARDE** :N'utilisez pas d'essence non approuvée telle que l'E85. Ne mélangez pas de l'huile à l'essence et ne modifiez pas le moteur afin qu'ils puissent fonctionner avec d'autres carburants. Ce qui endommagerait les composants du moteur et **annulerait la garantie du moteur**.

Le moteur sur cette machine est certifié pour fonctionner à l'essence. Le système de contrôle des émissions pour ce moteur est EM (Modifications du moteur).

Haute altitude

À des altitudes supérieures à 1 524 mètres (5 000 pieds), de l'essence d'au minimum 85 octanes/85 AKI (89 RON) est acceptable. Pour rester en conformité avec les normes d'émissions, un réglage pour les hautes altitudes est nécessaire. Faire fonctionner le moteur sans ce réglage donnera lieu à des performances moindres, une consommation de carburant supérieure et une augmentation des émissions.

Il n'est pas recommandé de faire fonctionner le moteur à des altitudes inférieures à 762 mètres (2 500 pieds) avec le kit haute altitude.

Démarrer la tondeuse

Le moteur de votre tondeuse est équipé du système Ready Start^{MD} de Briggs & Stratton. Avec volet de départ automatique thermo-commandé. Aucune étape supplémentaire n'est nécessaire pour démarrer un moteur froid.

1. Déplacez la commande de régime du moteur (**A**, **Figure 3**) à la position rapide (lapin).
2. Serrez le contrôle de lame (**B**) contre la poignée.
3. Démarrez la tondeuse : Tirez la poignée de la corde de lancement (**C**) pour démarrer le moteur.
4. Pour arrêter le moteur (et la lame), relâchez la commande de lame.
5. Une fois que le moteur a démarré, laissez-le se réchauffer brièvement jusqu'à ce qu'il tourne doucement avant de commencer la tonte.

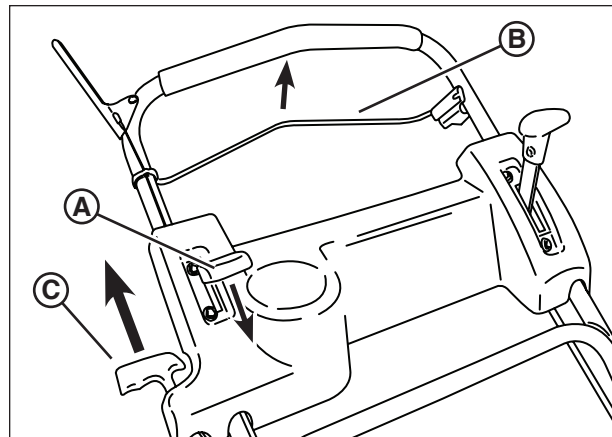


Figure 3: Démarrer la tondeuse

Déplacement de la tondeuse

1. Démarrez la tondeuse.
2. Déplacez la commande de régime de moteur (**A**, **Figure 4**) à la position de vitesse désirée.
3. Serrez la commande d'entraînement (**B**) contre la poignée pour embrayer l'entraînement de roue et propulser la tondeuse en avant. La vitesse avant peut être réglée pendant que la tondeuse se déplace en changeant la position de la commande de vitesse de déplacement.

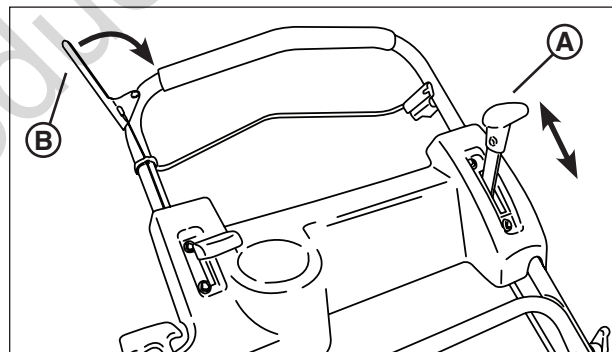


Figure 4: Commandes d'entraînement de la tondeuse

Arrêter la tondeuse

1. Arrêtez le déplacement de la tondeuse en marche avant en relâchant la commande d'entraînement de roue.
2. Arrêtez le moteur et la lame en relâchant la commande de lame.

Réglage de la hauteur de coupe

⚠ AVERTISSEMENT ⚠

NE PAS essayer de faire de l'entretien, des réglages ou des réparations quand le moteur et la lame tournent. ARRÊTEZ le moteur et la lame. Débranchez les câbles de la bougie d'allumage et éloignez-les de la bougie. Le moteur et ses composants sont CHAUDS. Évitez de graves brûlures en laissant suffisamment de temps aux composants pour qu'ils se refroidissent.

La hauteur de poignée de la tondeuse peut être réglée de la façon suivante :

1. Desserrez les écrous inférieurs (**A**, **Figure 5**) se trouvant sur chaque poignée inférieure.
2. Déplacez la poignée (**B**) vers le haut ou vers le bas jusqu'à la position voulue.
3. Serrez les écrous du bas sur les poignées inférieures afin de maintenir la position voulue.

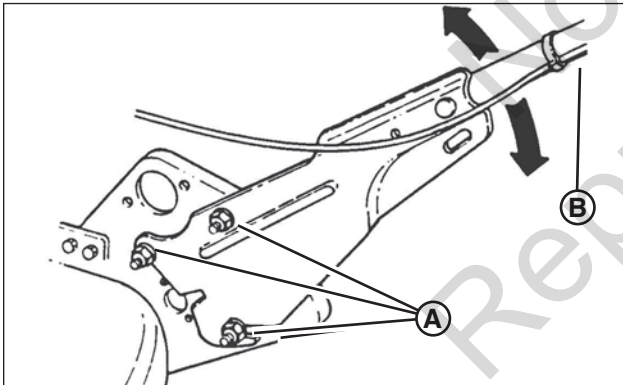


Figure 5: Réglage de la hauteur de poignée

Réglage de la hauteur de coupe

⚠ AVERTISSEMENT ⚠

NE PAS essayer de faire de l'entretien, des réglages ou des réparations quand le moteur et la lame tournent. ARRÊTEZ le moteur et la lame. Débranchez les câbles de la bougie d'allumage et éloignez-les de la bougie. Le moteur et ses composants sont CHAUDS. Évitez de graves brûlures en laissant suffisamment de temps aux composants pour qu'ils se refroidissent.

1. Tirez le levier de réglage de hauteur de coupe (**A**, **Figure 6**) vers l'extérieur et déplacez-le jusqu'à la hauteur de coupe voulue.

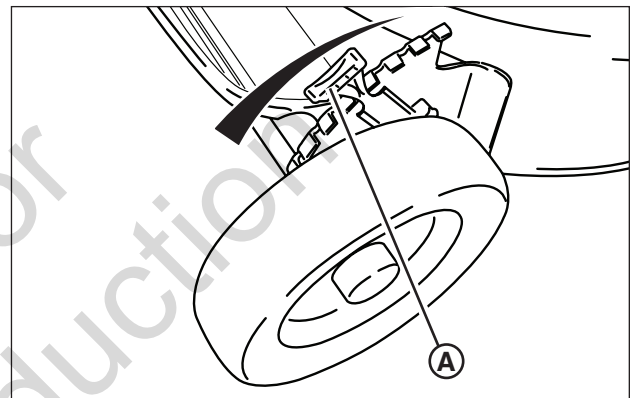


Figure 6: Réglage de hauteur de coupe

2. Réglez toutes les roues à la même hauteur de coupe. La position de hauteur de coupe la plus haute correspond au cran d'arrêt 7 (**Figure 7**). La position de hauteur de coupe la plus basse correspond au cran d'arrêt 1.

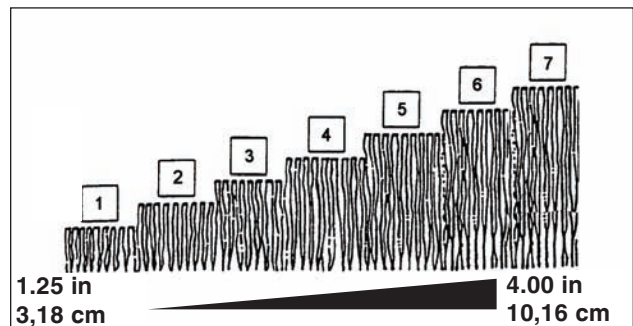


Figure 7: Réglages de hauteur de coupe (approximatifs)

Fontionnement

Opération de déchiquetage

Pour de meilleurs résultats de déchiquetage, coupez l'herbe au maximum au tiers de sa hauteur et recyclez **UNIQUEMENT** quand l'herbe est sèche.

1. Réglez toutes les roues à la position de hauteur de coupe la plus haute (cran d'arrêt 7). Reportez-vous à la section intitulée « Réglage de hauteur de coupe ».
2. Déplacez la commande de régime du moteur à la position rapide (lapin).
3. Déplacez la commande de vitesse de déplacement au réglage de vitesse la plus lente.
4. Commencez à tondre lentement. Si l'herbe est très dense, abaissez les leviers des roues arrière d'un cran d'arrêt inférieur à ceux des roues avant afin d'améliorer la performance de déchiquetage.

REMARQUE : Le couvercle de déchiquetage doit demeurer en tout temps sur la machine, à moins que l'utilisation d'une méthode alternative d'éjection est souhaitée, telle qu'une éjection latérale ou un ramassage latéral.

Dépose du couvercle de déchiquetage

(Accessoire facultatif sur certains modèles)

AVERTISSEMENT

NE PAS essayer de faire de l'entretien, des réglages ou des réparations quand le moteur et la lame tournent. **ARRÊTEZ** le moteur et la lame. Débranchez les câbles de la bougie d'allumage et éloignez-les de la bougie. Le moteur et ses composants sont **CHAUDS**. Évitez de graves brûlures en laissant suffisamment de temps aux composants pour qu'ils se refroidissent.

1. Retirez les écrous bouton (**A, Figure 8**) et les rondelles frein internes et externes (**B**) fixant le couvercle de déchiquetage (**C**) au plateau de coupe.
2. Retirer le couvercle.

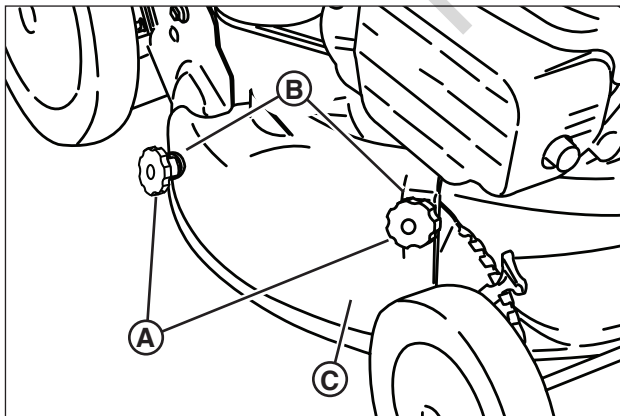


Figure 8: Dépose du couvercle de déchiquetage

Installation du déflecteur d'éjection

AVERTISSEMENT

NE PAS essayer de faire de l'entretien, des réglages ou des réparations quand le moteur et la lame tournent. **ARRÊTEZ** le moteur et la lame. Débranchez les câbles de la bougie d'allumage et éloignez-les de la bougie. Le moteur et ses composants sont **CHAUDS**. Évitez de graves brûlures en laissant suffisamment de temps aux composants pour qu'ils se refroidissent.

1. Enlevez le couvercle de déchiquetage. Reportez-vous à la section intitulée « Fonctionnement de déchiquetage ».
2. Posez le déflecteur (**A, Figure 9**) sur le plateau à la place du couvercle de déchiquetage en vous assurant que :
 - Le trou (**B**) à l'avant du déflecteur soit placé sur le goujon, là où l'avant du couvercle de déchiquetage était fixé auparavant;
 - La fente (**C**) sur le dessus du déflecteur se glisse sous l'écrou de retenue sur le dessus du plateau (sous le coin inférieur droit du moteur);
 - La fente (**D**) à l'arrière de l'intérieur du déflecteur se glisse sur le goujon derrière l'arrière de l'ouverture d'éjection, là où l'arrière du couvercle de déchiquetage était fixé auparavant.
3. Posez les rondelles frein internes et externes ainsi que les écrous bouton sur les goujons et serrez fermement.

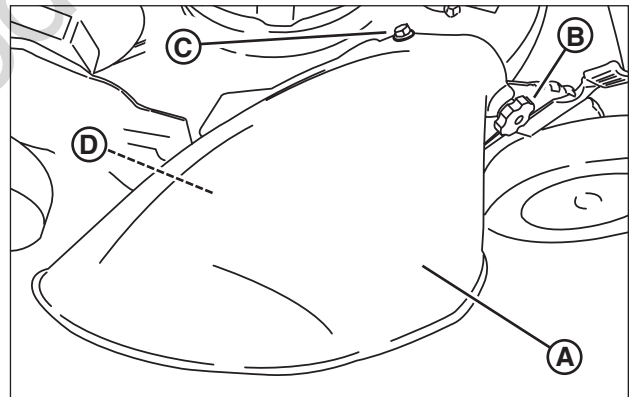


Figure 9: Installation de la goulotte de déflecteur

AVERTISSEMENT

N'UTILISEZ PAS si le sac à herbe complet ou la protection ne sont pas installés. Les composants du sac à herbe sont susceptibles à la détérioration pendant l'utilisation normale. Inspectez régulièrement et remplacez immédiatement les composants endommagés ou usés.

Pose de l'adaptateur du sac à herbe

(Accessoire facultatif sur certains modèles)

⚠ AVERTISSEMENT ⚠

NE PAS essayer de faire de l'entretien, des réglages ou des réparations quand le moteur et la lame tournent. ARRÊTEZ le moteur et la lame. Débranchez les câbles de la bougie d'allumage et éloignez-les de la bougie. Le moteur et ses composants sont CHAUDS. Évitez de graves brûlures en laissant suffisamment de temps aux composants pour qu'ils se refroidissent.

1. Enlevez le couvercle de déchiquetage. Reportez-vous à la section intitulée « Fonctionnement de déchiquetage ».
2. Posez l'adaptateur (**A, Figure 10**) sur le plateau à la place du couvercle de déchiquetage en vous assurant que :
 - Le trou (**B**) à l'avant de l'adaptateur soit placé sur le goujon, là où l'avant du couvercle de déchiquetage était fixé auparavant;
 - La fente (**C**) sur le dessus de l'adaptateur se glisse sous l'écrou de retenue sur le dessus du plateau (sous le coin inférieur droit du moteur);
 - La fente (**D**) à l'arrière de l'adaptateur se glisse sur le goujon derrière l'arrière de l'ouverture d'éjection, là où l'arrière du couvercle de déchiquetage était fixé auparavant.
3. Posez les rondelles frein internes et externes ainsi que les écrous bouton sur les goujons et serrez fermement.
4. Acheminez la corde de lancement autour de l'extérieur de la poulie de guidage (**E**).

REMARQUE : Il peut être nécessaire de donner du mou à la corde de lancement. Reportez-vous à la section intitulée « Démarrage de la tondeuse ».

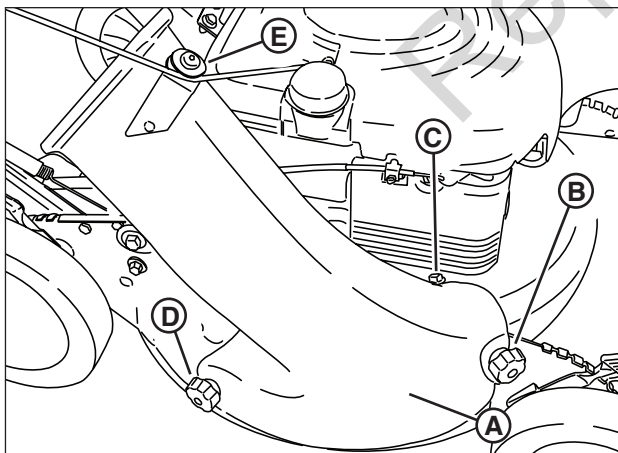


Figure 10: Pose de l'adaptateur de sac à herbe

Pose de la fiche de déchiquetage

(Accessoire facultatif sur certains modèles)

⚠ AVERTISSEMENT ⚠

NE PAS essayer de faire de l'entretien, des réglages ou des réparations quand le moteur et la lame tournent. ARRÊTEZ le moteur et la lame. Débranchez les câbles de la bougie d'allumage et éloignez-les de la bougie. Le moteur et ses composants sont CHAUDS. Évitez de graves brûlures en laissant suffisamment de temps aux composants pour qu'ils se refroidissent.

1. Posez la fiche de déchiquetage (**A, Figure 11**) si un déchiquetage est souhaité après que l'adaptateur de sac soit installé. Posez la fiche de déchiquetage entièrement et solidement sur l'adaptateur de sac (**B**).
2. Posez le sac à herbe comme protection.
3. Reportez-vous à la section intitulée « Fonctionnement de déchiquetage ».

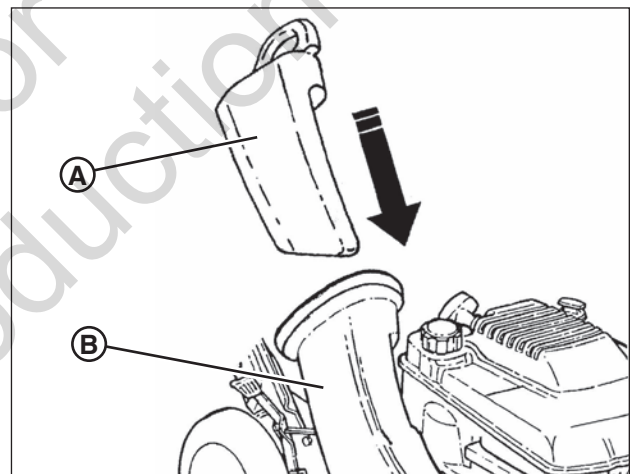


Figure 11: Pose de la fiche de déchiquetage

Fontionnement

Installation du sac à herbe

(Accessoire facultatif sur certains modèles)

⚠ AVERTISSEMENT ⚠

NE PAS essayer de faire de l'entretien, des réglages ou des réparations quand le moteur et la lame tournent. ARRÊTEZ le moteur et la lame. Débranchez les câbles de la bougie d'allumage et éloignez-les de la bougie. Le moteur et ses composants sont CHAUDS. Évitez de graves brûlures en laissant suffisamment de temps aux composants pour qu'ils se refroidissent.

1. Posez l'adaptateur de sac à herbe. Reportez-vous à la section intitulée « Pose de l'adaptateur de sac à herbe ».
2. Posez le sac à herbe en glissant le connecteur **(A)**, **Figure 12** par-dessus la bride de l'adaptateur.
3. Fixez les crochets du sac à herbe **(B)** par-dessus la barre transversale mitoyenne.

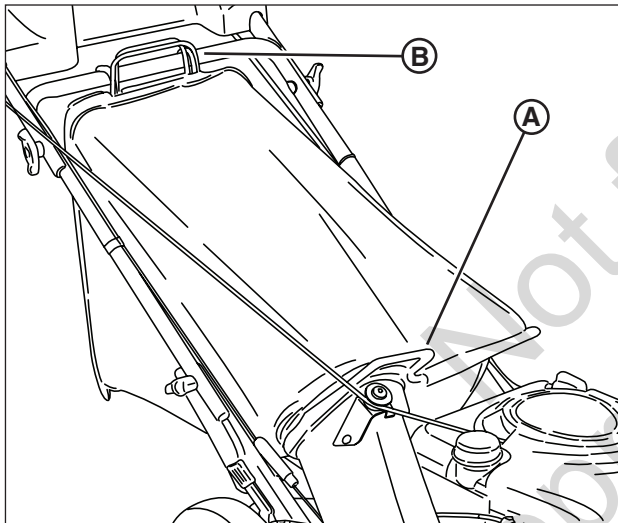


Figure 12: Installation du sac à herbe

⚠ AVERTISSEMENT ⚠

Les sacs à herbe sont en tissu et se détériorent et s'usent quand on en fait une utilisation normale. Vérifiez l'état du sac avant chaque utilisation. Remplacez immédiatement les sacs à herbe endommagés ou usés uniquement par des sacs de rechange d'origine. Le sac à herbe est un équipement en option sur certains modèles.

Tableau de maintenance

⚠ AVERTISSEMENT ⚠

NE PAS essayer de faire de l'entretien, des réglages ou des réparations quand le moteur et la lame tournent. ARRÊTEZ le moteur et la lame. Débranchez les câbles de la bougie d'allumage et éloignez-les de la bougie. Le moteur et ses composants sont CHAUDS. Évitez de graves brûlures en laissant suffisamment de temps aux composants pour qu'ils se refroidissent. Portez des gants de cuir épais quand vous manipulez les lames coupantes ou travaillez autour. Les lames sont extrêmement aiguisées et peuvent être cause de graves blessures.

TONDEUSE
Toutes les 8 heures ou chaque jour
Contrôler le système de verrouillage de sécurité
Nettoyer les débris de la tondeuse
Toutes les 25 heures ou chaque année *
Vérifiez la tondeuse pour qu'il n'y ait pas d'éléments desserrés
Voir le concessionnaire chaque année pour
Lubrifier la tondeuse
Vérifiez la lame de la tondeuse **
Contrôle du temps d'arrêt des lames de tondeuse
Vérifiez la courroie d'entraînement
Nettoyer la batterie et les câbles

* Selon la première éventualité

** Vérifiez les lames plus souvent dans les régions aux sols sablonneux ou quand il y a beaucoup de poussière.

Contrôle d'émission

La maintenance, le remplacement ou la réparation des dispositifs et systèmes de contrôle des émissions peuvent être effectués par tout établissement de réparation de moteurs non-routiers ou particulier. Cependant, pour obtenir un service après-vente « gratuit » du contrôle des émissions, le travail doit être effectué par un revendeur agréé de l'usine. Voir la Garantie concernant le contrôle des émissions.

MOTEUR
Premières 5 heures
Changement de l'huile moteur
Toutes les 8 heures ou chaque jour
Contrôler le niveau d'huile moteur
Toutes les 25 heures ou chaque année *
Nettoyez le filtre à air du moteur et le dépoussiéreur (si la tondeuse en est équipée)**
Toutes les 50 heures ou chaque année *
Changement de l'huile moteur
Remplacez le filtre à air (si la tondeuse en est équipée)
Chaque année
Changer le filtre à air
Remplacez le dépoussiéreur (si la tondeuse en est équipée)
Voir le concessionnaire chaque année pour
Inspectez le silencieux et le pare-étincelles (si la tondeuse en est équipée)
Changer les bougies d'allumage
Remplacez le filtre à essence (si la tondeuse en est équipée)
Nettoyer le système de refroidissement à air du moteur

* Selon la première éventualité

** Nettoyer plus souvent dans les atmosphères poussiéreuses ou en présence d'impuretés en suspension dans l'air.

Entretien

Changer l'huile moteur

⚠ AVERTISSEMENT ⚠

NE PAS essayer de faire de l'entretien, des réglages ou des réparations quand le moteur et la lame tournent. ARRÊTEZ le moteur et la lame. Débranchez les câbles de la bougie d'allumage et éloignez-les de la bougie. Le moteur et ses composants sont CHAUDS. Évitez de graves brûlures en laissant suffisamment de temps aux composants pour qu'ils se refroidissent.

1. Vidangez complètement le réservoir d'essence.
2. Retirez la jauge d'essence (A, Figure 13), puis renversez la tondeuse sur son côté. Laissez l'huile se vidanger en la faisant passer du tube du graisseur dans un récipient approprié. Éliminer l'huile usagée de façon appropriée.
3. Mettez la tondeuse debout, puis remplissez le moteur d'huile moteur jusqu'au niveau 'plein' sur la jauge. Reportez-vous à la section intitulée « Recommandations d'huile ». **Ne pas trop remplir.**

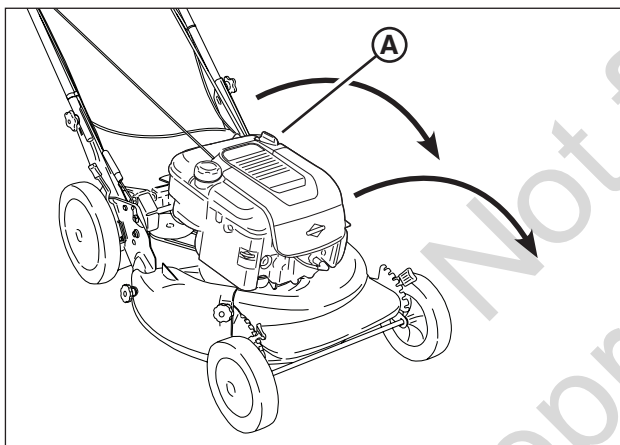


Figure 13: Vidanger l'huile du moteur

IMPORTANT : Vidangez le réservoir de carburant avant de basculer la machine. NE PAS renverser la tondeuse avec le carburateur ou la bougie d'allumage en bas. L'huile du carter du moteur saturera le filtre à air et rendra le démarrage du moteur difficile, voire impossible. Si le filtre à air est saturé, il faudra le remplacer.

Entretien du filtre à air

⚠ AVERTISSEMENT ⚠

Ne jamais démarrer ou faire fonctionner le moteur si l'épurateur d'air (si équipé) ou le filtre à air est enlevé.

REMARQUE : Ne pas utiliser de l'air comprimé ou solvants pour nettoyer le filtre. L'air comprimé peut endommager le filtre, les solvants le dissoudre.

1. Desserrer l'attache (A, Figure 14) retenant le couvercle(B).
2. Ouvrir le couvercle et retirer le dépoussiéreur (C) et le filtre (D).
3. Pour faire tomber les débris, tapoter doucement le filtre sur une surface dure. Si le filtre est trop sale, le remplacer par un nouveau filtre.
4. Laver le pré-dépoussiéreur au détergent liquide et à l'eau. Ensuite le laisser sécher complètement à l'air. Ne pas lubrifier le dépoussiéreur.
5. Attacher le dépoussiéreur sec au filtre à l'aide de la lèvre (E) du dépoussiéreur sur la partie inférieure des éléments plissés du filtre.
6. Installer le filtre.
7. Installer les pattes (F) du couvercle dans les (G).
8. Fermer le couvercle et le fixer à l'aide de l'attache.

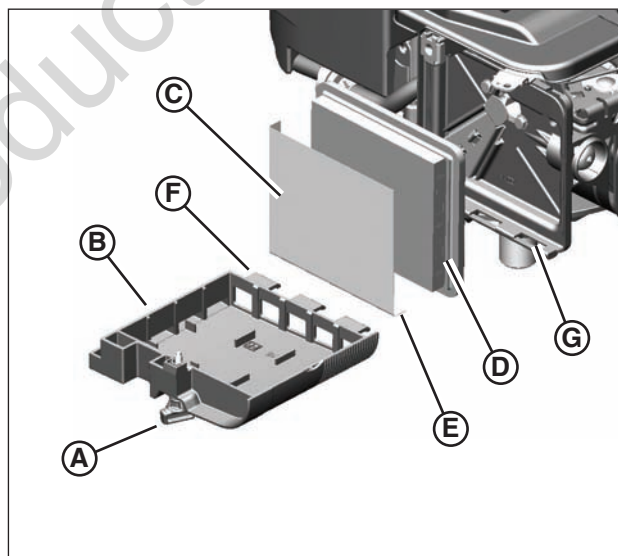


Figure 14: Filtre à air et dépoussiéreur

Vérifier le système de verrouillage de sécurité

1. Démarrez la tondeuse.
2. Relâchez la commande de lame. **Le moteur doit s'arrêter dans les 3 secondes.**

Si le moteur ne s'arrête pas en moins de 3 secondes, **n'utilisez pas la tondeuse**. Amenez la tondeuse chez un revendeur agréé pour la dépanner.

Débarrassez la tondeuse de débris



AVERTISSEMENT



NE PAS essayer de faire de l'entretien, des réglages ou des réparations quand le moteur et la lame tournent. **ARRÊTEZ** le moteur et la lame. Débranchez les câbles de la bougie d'allumage et éloignez-les de la bougie. Le moteur et ses composants sont **CHAUDS**. Évitez de graves brûlures en laissant suffisamment de temps aux composants pour qu'ils se refroidissent. Portez des gants de cuir épais quand vous manipulez les lames coupantes ou travaillez autour. Les lames sont extrêmement aiguisées et peuvent être cause de graves blessures.

1. Nettoyez la poussière et les débris sur le dessus du plateau de coupe de la tondeuse.
2. Nettoyez toutes les accumulations de débris sur le moteur ou autour, etc.

Pendant le nettoyage, vérifiez l'usure des composants.

Remplacez immédiatement les composants usés ou endommagés.

Procédure de remisage



AVERTISSEMENT



NE PAS essayer de faire de l'entretien, des réglages ou des réparations quand le moteur et la lame tournent. **ARRÊTEZ** le moteur et la lame. Débranchez les câbles de la bougie d'allumage et éloignez-les de la bougie. Le moteur et ses composants sont **CHAUDS**. Évitez de graves brûlures en laissant suffisamment de temps aux composants pour qu'ils se refroidissent. Portez des gants de cuir épais quand vous manipulez les lames coupantes ou travaillez autour. Les lames sont extrêmement aiguisées et peuvent être cause de graves blessures.

Préparez la tondeuse pour son remisage de « fin de saison » comme suit :

1. Débrancher le fil de la bougie et l'écarter de la bougie.
2. vidangez le réservoir d'essence et laissez tourner le moteur jusqu'à ce que toute l'essence soit sortie du carburateur.

REMARQUE : Si vous utilisez un stabilisateur de carburant, il n'est pas nécessaire de vidanger le réservoir d'essence. Reportez-vous à la section intitulée 'Recommandations pour le carburant'.

3. Utilisez une brosse ou de l'air comprimé pour retirer les débris épars, puis utilisez un chiffon humide pour essuyer la machine.
4. Renversez la tondeuse sur ses roues arrière et inspectez le dessous du plateau (ne renversez pas la tondeuse avec la bougie d'allumage ou le carburateur en bas). Grattez les accumulations rebelles d'herbe avec un couteau à mastic et/ou une brosse métallique.
5. Lubrifiez toutes les parties métalliques exposées avec une légère couche d'huile pour éviter la corrosion.
6. Pliez les poignées avec précaution en fléchissant les câbles de commande pour éviter de les endommager.
7. Remisez la tondeuse dans une remise ou tout autre endroit sec, protégé des intempéries.

Système d'alimentation

Le carburant peut devenir vicié quand il est stocké plus de 30 jours. Le carburant vicié entraîne la formation de dépôts d'acide et de gomme dans le circuit d'alimentation ou sur les pièces essentielles du carburateur. Pour que le carburant conserve toutes ses propriétés, utiliser le **stabilisateur et agent de traitement de carburant à formule avancée Briggs & Stratton®**, disponible partout où les pièces de rechange d'origine Briggs & Stratton sont vendues.

Pour les moteurs équipés d'un bouchon de réservoir de carburant FRESH START®, utiliser **FRESH START®** de Briggs & Stratton, disponible sous forme de cartouche compte-gouttes de concentré.

Il n'est pas nécessaire de purger l'essence du moteur si un stabilisateur de carburant a été ajouté selon les instructions. Avant son remisage, faire tourner le moteur pendant 2 minutes pour faire circuler le stabilisateur dans le circuit d'alimentation.

Si le carburant dans le moteur n'a pas été traité avec un stabilisateur de carburant, il doit être purgé dans un récipient approuvé. Faire fonctionner le moteur jusqu'à ce qu'il s'arrête par manque de carburant. L'utilisation d'un stabilisateur de carburant dans le récipient de remisage est recommandée pour que le carburant conserve toutes ses propriétés.

Entretien

Entretien

AVERTISSEMENT

NE PAS essayer de faire de l'entretien, des réglages ou des réparations quand le moteur et la lame tournent. ARRÊTEZ le moteur et la lame. Débranchez les câbles de la bougie d'allumage et éloignez-les de la bougie. Le moteur et ses composants sont CHAUDS. Évitez de graves brûlures en laissant suffisamment de temps aux composants pour qu'ils se refroidissent. Portez des gants de cuir épais quand vous manipulez les lames coupantes ou travaillez autour. Les lames sont extrêmement aiguisées et peuvent être cause de graves blessures.

Vérification du niveau de graisse de la transmission

1. Enlevez le bouchon de remplissage de la transmission (**A, Figure 15**). Poussez la machine vers l'avant ou vers l'arrière tout en regardant dans l'orifice du bouchon.
2. Si de la graisse liquide n'est pas visible sur l'engrenage d'entrée (petit engrenage sous l'orifice de bouchon), ajoutez une quantité de graisse Snapper « 00 » afin de recouvrir l'engrenage.

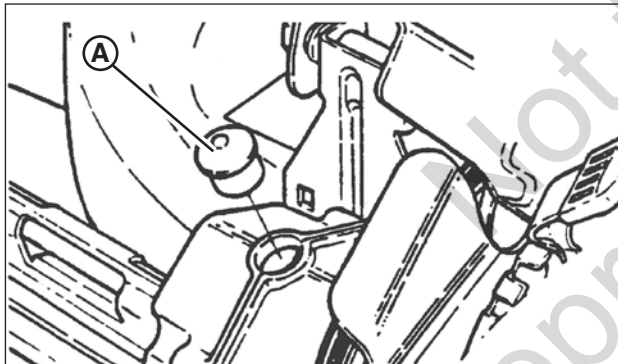


Figure 15: Dépose du bouchon de remplissage de transmission

REMARQUE :La graisse Snapper « 00 » (Réf. 7029443) est offerte chez votre détaillant.

REMARQUE :Ne renversez pas de graisse ou d'huile sur la surface du disque d'entraînement (**A, Figure 16**).

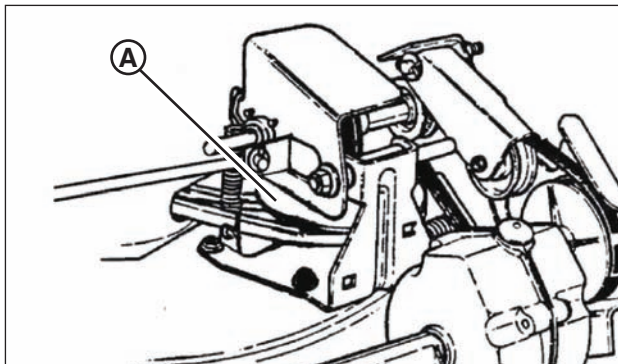


Figure 16: Emplacement du disque d'entraînement

3. Posez à nouveau le bouchon de transmission.
4. Vérifiez le niveau de graisse toutes les 25 heures d'utilisation.

Vérifiez la lame de la tondeuse

1. Débranchez le fil de la bougie et placez-le à l'écart de la bougie.
2. Basculez la tondeuse vers le haut sur ses roues arrière afin d'accéder à la vis d'assemblage de lame (**A, Figure 17**). Ne renversez pas la tondeuse avec la bougie d'allumage ou le carburateur en bas.

IMPORTANT :Vidangez le réservoir de carburant avant de basculer la tondeuse. NE PAS renverser la tondeuse avec le carburateur ou la bougie d'allumage en bas. L'huile du carter du moteur saturera le filtre à air et rendra le démarrage du moteur difficile, voire impossible. Si le filtre à air est saturé, il faudra le remplacer.

3. Vérifiez le couple de serrage de la vis d'assemblage de lame. Le couple de serrage recommandé est de 40 lb-pi (54 N.m).
4. Vérifier que la lame soit bien aiguisée, qu'elle ne soit ni usée ni endommagée. Reportez-vous à la section intitulée « Limites d'usure de lame ».

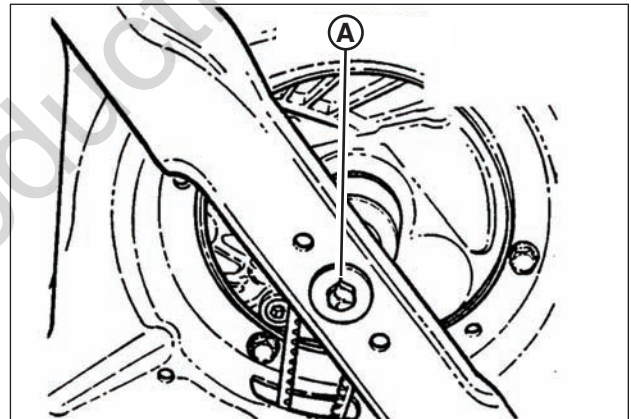


Figure 17: Serrage de la vis d'assemblage de lame

Vérifiez la courroie d'entraînement du moteur

- Vérifiez s'il y a des fissures, des effiloches, des brins exposés ou cassés sur la courroie d'entraînement du moteur. Si usée ou endommagée, remplacez la courroie avant d'utiliser la tondeuse.

Vérification de la courroie en V de transmission

- Vérifiez s'il y a des fissures, des effiloches, des brins exposés ou cassés sur la courroie en V. Si usée ou endommagée, remplacez la courroie avant d'utiliser la tondeuse.

Remplacement de lame de tondeuse

⚠ AVERTISSEMENT ⚠

NE PAS essayer de faire de l'entretien, des réglages ou des réparations quand le moteur et la lame tournent. ARRÊTEZ le moteur et la lame. Débranchez les câbles de la bougie d'allumage et éloignez-les de la bougie. Le moteur et ses composants sont CHAUDS. Évitez de graves brûlures en laissant suffisamment de temps aux composants pour qu'ils se refroidissent. Portez des gants de cuir épais quand vous manipulez les lames coupantes ou travaillez autour. Les lames sont extrêmement aiguisées et peuvent être cause de graves blessures.

Limite d'usure de lame standard

1. Inspectez régulièrement la lame (**Figure 18**) pour déceler d'éventuels signes d'usure excessive ou des dommages :

- (A) Nouvelle lame
- (B) Limite d'usure (des encoches commencent)
- (C) Conditions dangereuses! Ne pas utiliser sur la tondeuse! Remplacez par une lame neuve.

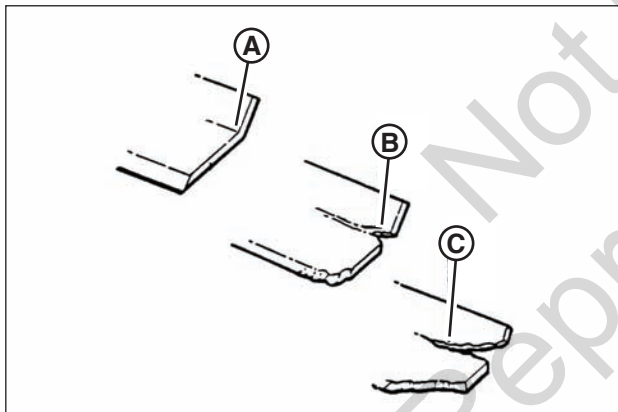


Figure 18: Limites d'usure de lame standard

Limite d'usure de lame Ninja

1. Inspectez régulièrement la lame (**Figure 19**) pour déceler d'éventuels signes d'usure excessive ou des dommages :

- (A) Nouvelle lame
- (B) Limite d'usure (des encoches et des fissures apparaissent sur la pointe)
- (C) Conditions dangereuses! Ne pas utiliser sur la tondeuse! Remplacez par une lame neuve.

⚠ AVERTISSEMENT ⚠

NE PAS utiliser une lame présentant des signes d'usure excessive ou endommagée. Reportez-vous à la section intitulée « REMPLACEMENT DE LAME DE TONDEUSE » pour les procédures appropriées d'inspection et d'intervention.

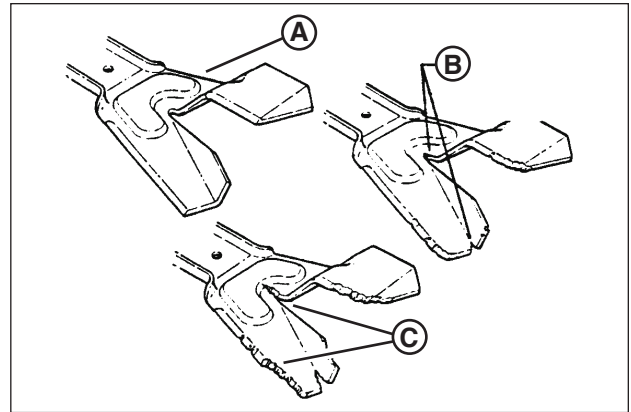


Figure 19: Limites d'usure de lame Ninja

Aiguisage de lame

1. Débranchez le fil de la bougie et placez-le à l'écart de la bougie.
2. Basculez la tondeuse vers le haut sur ses roues arrière. Ne renversez pas la tondeuse avec la bougie d'allumage ou le carburateur en bas.

IMPORTANT : Vidangez le réservoir de carburant avant de basculer la tondeuse. NE PAS renverser la tondeuse avec le carburateur ou la bougie d'allumage en bas. L'huile du carter du moteur saturera le filtre à air et rendra le démarrage du moteur difficile, voire impossible. Si le filtre à air est saturé, il faudra le remplacer.

3. Enlevez la lame (**B, Figure 20**).

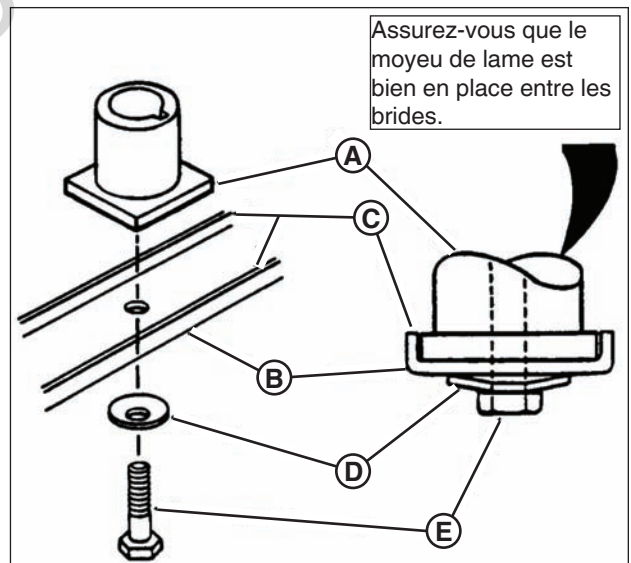


Figure 20: Déposer la lame de tondeuse

Entretien

Aiguisage de lame (suite)

4. Aiguissez la lame sur une meule à un angle de 22 à 28 degrés (B, Figure 21). N'AIGUISEZ PAS au-delà du bord de coupe d'origine (A).

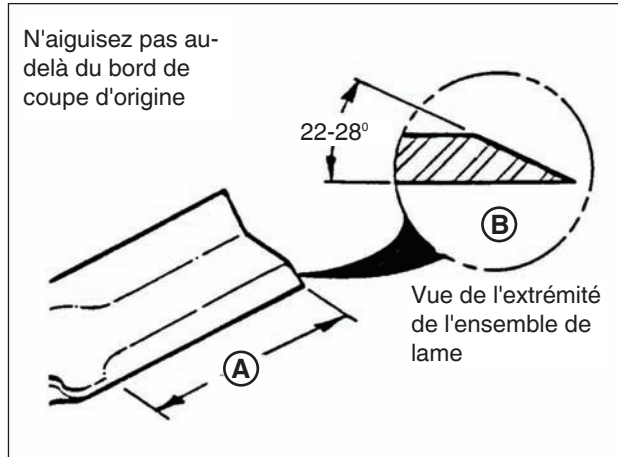


Figure 21: Aiguiser la lame de tondeuse

5. Vérifiez l'équilibre de la lame. Au besoin, corrigez l'équilibre de la lame en meulant l'extrémité lourde de la lame.
6. Posez à nouveau la lame (B, Figure 20). Prenez en note le bon ordre d'assemblage :
 - (A) Moyeu de lame
 - (B) Lame
 - (C) Bride de lame (face en haut)
 - (D) Rondelle conique (côté concave en haut)
 - (E) Vis d'assemblage
7. Vérifiez le couple de serrage de la vis d'assemblage de retenue de lame. Le couple de serrage recommandé est de 40 lb-pi (54 N.m).

Réglage de la commande d'entraînement de roue

⚠ AVERTISSEMENT ⚠

NE PAS essayer de faire de l'entretien, des réglages ou des réparations quand le moteur et la lame tournent. ARRÊTEZ le moteur et la lame. Débranchez les câbles de la bougie d'allumage et éloignez-les de la bougie. Le moteur et ses composants sont CHAUDS. Évitez de graves brûlures en laissant suffisamment de temps aux composants pour qu'ils se refroidissent.

1. La commande d'entraînement de roue est bien réglée lorsqu'un dégagement de 1/16 po (1,58 mm) à 1/8 po (3,18 mm) (G, Figure 22) existe (entre l'intérieur du crochet à ressort (E) et l'intérieur de l'œil du câble d'embranchage (C) avec la commande d'entraînement de roue relâchée.

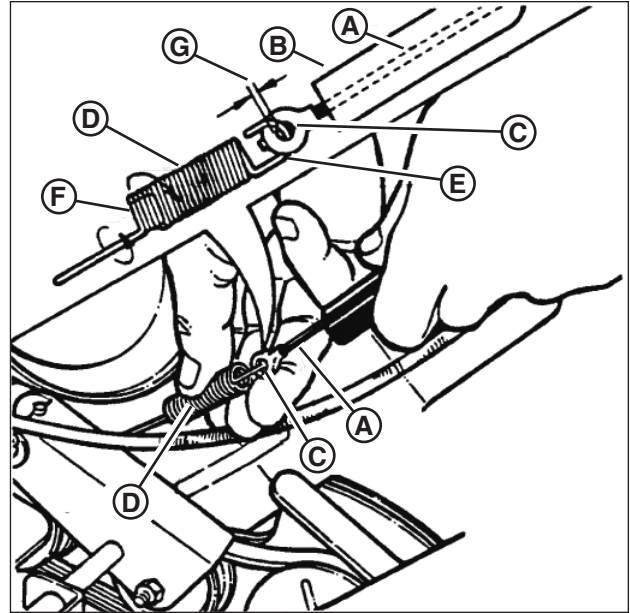


Figure 22: Réglages de la commande d'entraînement de roue

2. Pour régler, décrochez le ressort supérieur (D) de l'œil du câble et tournez le ressort dans le sens requis afin d'allonger ou de raccourcir la longueur du ressort.
3. Remplacez le ressort supérieur dans l'œil du câble et vérifiez le dégagement. Répétez la procédure le cas échéant.

REMARQUE : La gaine en vinyle du ressort (B) doit recouvrir le ressort en tout temps sauf pour les réglages.

4. Si la commande d'entraînement de roue ne revient pas à la position « ARRÊT » lorsqu'elle est relâchée, vérifiez s'il y a un accroc dans les retenues de câble sur le côté de la poignée droite. L'étrier supérieur doit être à 2 po (50 mm) sous le bouton supérieur et l'étrier inférieur doit être à 4 po (100 mm) au dessus du bouton inférieur. Le câble doit glisser librement avec ces étriers installés à ces emplacements.

Réparation du disque d'entraînement et du disque entraîné

⚠ AVERTISSEMENT ⚠

NE PAS essayer de faire de l'entretien, des réglages ou des réparations quand le moteur et la lame tournent. ARRÊTEZ le moteur et la lame. Débranchez les câbles de la bougie d'allumage et éloignez-les de la bougie. Le moteur et ses composants sont CHAUDS. Évitez de graves brûlures en laissant suffisamment de temps aux composants pour qu'ils se refroidissent.

Si la tondeuse ne se propulse pas d'elle-même correctement, vérifiez les causes possibles suivantes :

1. De la graisse sur le disque d'entraînement (A, Figure 23) provoquant un glissement.
2. Ressort d'entraînement déconnecté ou brisé (B).
3. Le disque entraîné (C) est dérégulé.
4. Le caoutchouc du disque entraîné est usé - ne contacte pas correctement le disque d'entraînement.
5. Courroie en V (D) ou courroie d'entraînement du moteur (E) usée.

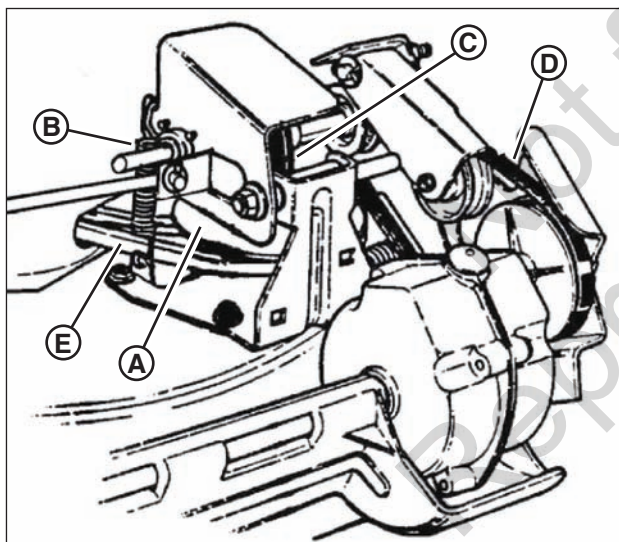


Figure 23: Composants d'entraînement de roue

Si une des situations ci-haut (1 à 5) est la cause du problème, réparez comme suit :

Nettoyage du disque d'entraînement et du disque entraîné

Si de la graisse ou de l'huile sur le disque d'entraînement ou sur le disque entraîné provoque le glissement, nettoyez les disques comme suit :

1. Essuyez toute graisse ou huile avec un chiffon propre.
2. Utilisez soit un dissolvant à graisse approuvé ou de l'eau chaude savonneuse pour nettoyer le disque d'entraînement ou le disque entraîné.
3. Rincez les composants à l'eau propre.
4. Asséchez les composants avec un chiffon propre.

Réparation ou remplacement du ressort d'entraînement

Si le ressort d'entraînement (A, Figure 24) est détaché, raccordez-le. Si le ressort est brisé, remplacez-le par un ressort neuf.

REMARQUE : Utilisez une paire de pinces à bec pointu pour installer le ressort d'entraînement.

IMPORTANT : Si le système d'entraînement glisse toujours, reportez-vous à la section intitulée « Dépannage ».

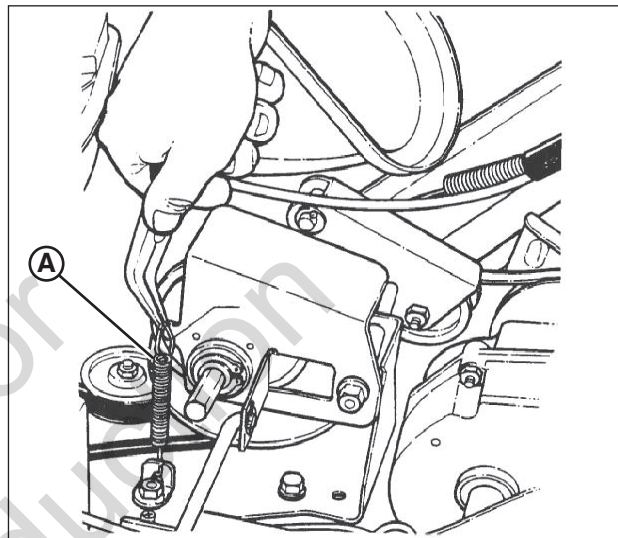


Figure 24: Remplacement du ressort d'entraînement

Réglage du disque entraîné

Si le disque d'entraînement et le disque entraîné sont propres et que l'entraînement de la tondeuse glisse toujours, réglez le disque entraîné comme suit :

1. Déplacez la commande de vitesse de déplacement (A, Figure 25) à la position « rapide ».

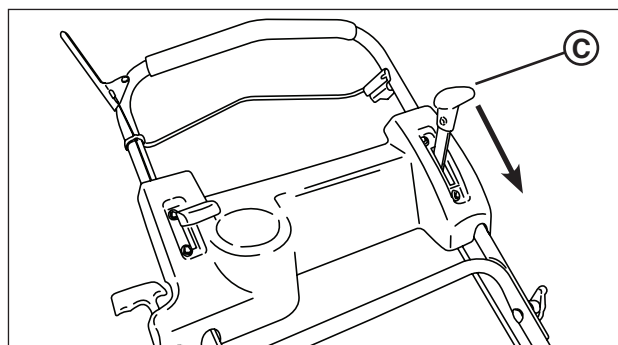


Figure 25: La commande de vitesse de déplacement

Entretien

- Retirez le ressort de disque entraîné (**A**, **Figure 26**) de l'ensemble du disque entraîné (**B**). Retirez également la goupille et la rondelle (**C**) de la tige de transfert (**D**), puis retirez l'extrémité de tige de transfert de l'orifice dans l'ensemble du disque entraîné.

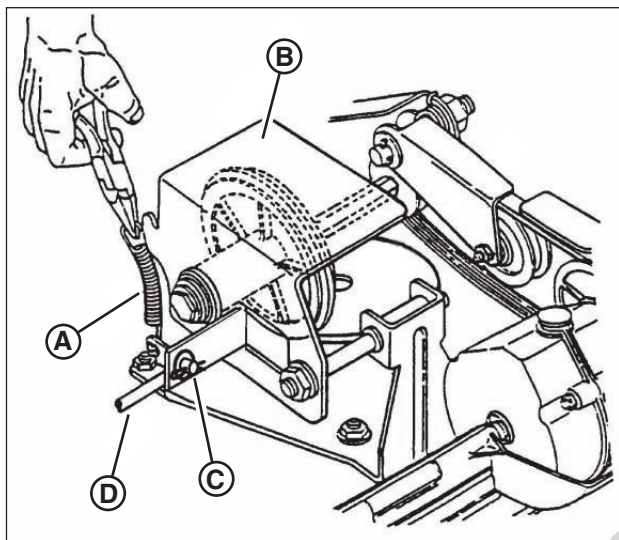


Figure 26: Réglage du disque entraîné

- Glissez l'ensemble du disque entraîné à 1/8 po (3,18 mm) (**A**, **Figure 27**) du bord externe du disque d'entraînement (**B**).
- Desserrez le contre-écrou (**A**, **Figure 28**) fixant la tige de transfert (**B**) au joint à rotule (**C**) sur le support d'articulation (**D**).
- Tournez la tige afin qu'elle rentre et qu'elle sorte du joint à rotule jusqu'à ce que l'extrémité de la tige soit alignée avec l'orifice (**E**) dans le disque entraîné d'où on a retiré la tige.

IMPORTANT : Ne déplacez pas le support d'articulation.

- Posez à nouveau la tige comme elle a été retirée à l'étape 2. Déplacez la commande de vitesse de déplacement à la position « lente » puis à la position « rapide ». Vérifiez à nouveau la mesure de 1/8 po (3,18 mm) telle que décrite précédemment. Réglez le cas échéant. Serrez l'écrou lorsque terminé.
- Posez à nouveau le ressort de disque entraîné sur l'ensemble du disque d'entraînement.

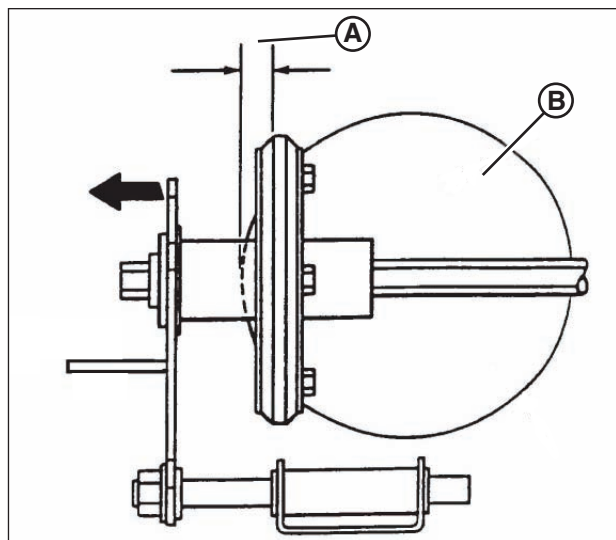


Figure 27: Bon réglage du disque entraîné

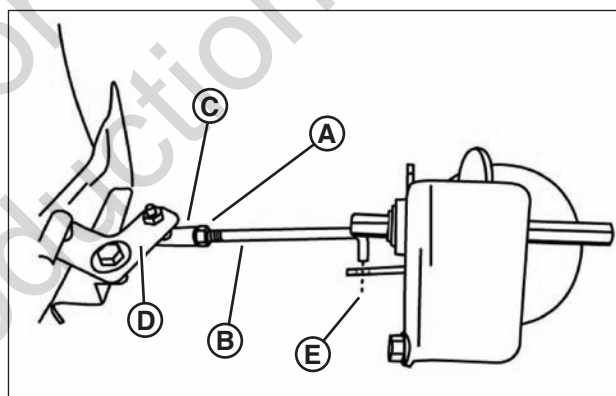


Figure 28: Réglage de la tige de transfert

Remplacement du disque entraîné

⚠ AVERTISSEMENT ⚠

NE PAS essayer de faire de l'entretien, des réglages ou des réparations quand le moteur et la lame tournent. ARRÊTEZ le moteur et la lame. Débranchez les câbles de la bougie d'allumage et éloignez-les de la bougie. Le moteur et ses composants sont CHAUDS. Évitez de graves brûlures en laissant suffisamment de temps aux composants pour qu'ils se refroidissent.

Si le caoutchouc sur le disque entraîné est fortement morcelé ou usé, il doit être remplacé. Posez un disque entraîné neuf comme suit :

- Retirez la goupille et la rondelle (**C**, **Figure 26**) de la tige de transfert (**D**), puis retirez l'extrémité de tige de transfert de l'orifice dans l'ensemble du disque entraîné.

Remplacement du disque entraîné (suite)

2. À l'aide de pinces à becs pointus, décrochez le ressort d'entraînement (**A**, **Figure 29**) et glissez l'ensemble du disque entraîné hors de l'arbre hexagonal.
3. Enlevez les deux anneaux de retenue (**A**, **Figure 30**) qui fixent le caoutchouc du disque entraîné (**B**) à l'ensemble du disque entraîné.
4. Posez un caoutchouc neuf sur le disque entraîné et fixez-le avec les anneaux de retenue.
5. Inversez les procédures précédentes pour assembler et poser l'ensemble du disque entraîné.

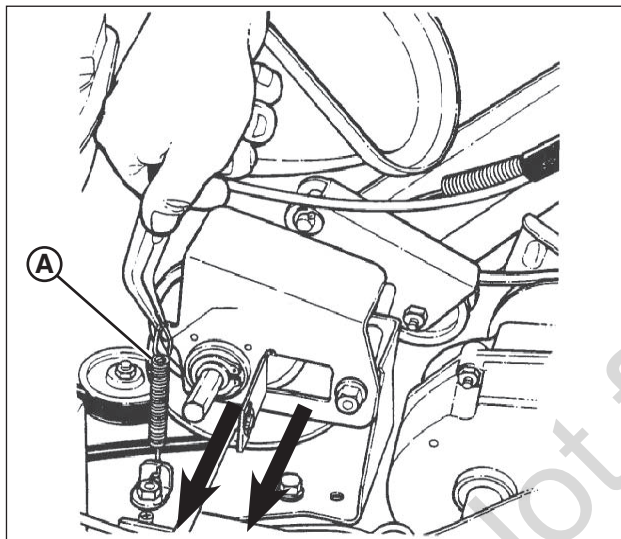


Figure 29: Dépose de l'ensemble du disque entraîné

Remplacement du roulement du disque entraîné



AVERTISSEMENT



NE PAS essayer de faire de l'entretien, des réglages ou des réparations quand le moteur et la lame tournent. ARRÊTEZ le moteur et la lame. Débranchez les câbles de la bougie d'allumage et éloignez-les de la bougie. Le moteur et ses composants sont CHAUDS. Évitez de graves brûlures en laissant suffisamment de temps aux composants pour qu'ils se refroidissent.

IMPORTANT : Le roulement sur ces machines est jalonné dans le plateau de pression. Le roulement doit être retiré avec un maillet et un gros poinçon. Un roulement neuf avec quatre (4) vis de retenue doivent être achetés pour remplacer le roulement existant.

Si le roulement du disque entraîné doit être remplacé, remplacez-le comme suit :

1. Déposez l'ensemble du disque entraîné. Reportez-vous à la section intitulée « Remplacement du disque entraîné ».
2. Retirez les deux anneaux de retenue (**A**, **Figure 30**) qui fixent le caoutchouc du disque entraîné (**B**) au plateau de pression.
3. Glissez le moyeu de disque entraîné en caoutchouc hors du roulement.
4. Retirez le roulement existant (**C**).
5. Posez un roulement neuf et fixez-le au plateau de pression avec les quatre (4) vis de retenue. Serrez fermement les vis.
6. Assemblez les composants dans l'ordre inverse.

REMARQUE : Assurez-vous de reposer la rondelle de réglage (**D**) lors de l'assemblage du disque entraîné.

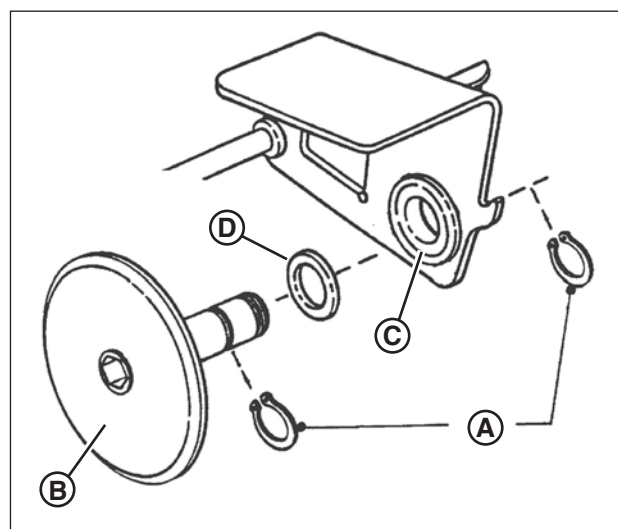


Figure 30: Remplacement du disque entraîné

Entretien

Remplacement du roulement à l'extrémité de poulie de l'arbre hexagonal

AVERTISSEMENT

NE PAS essayer de faire de l'entretien, des réglages ou des réparations quand le moteur et la lame tournent. ARRÊTEZ le moteur et la lame. Débranchez les câbles de la bougie d'allumage et éloignez-les de la bougie. Le moteur et ses composants sont CHAUDS. Évitez de graves brûlures en laissant suffisamment de temps aux composants pour qu'ils se refroidissent.

Pour remplacer le roulement à l'extrémité de poulie de l'arbre hexagonal, procédez comme suit :

1. Maintenez l'arbre hexagonal avec une clé à molette près de la poulie.
2. Enlevez l'écrou freiné 3/8 po (9,52 mm) (**B**, **Figure 31**) se trouvant sur le côté externe du support de roue droite.
3. Enlevez le support (**A**), le joint torique (**C**) et le roulement (**D**).
4. Posez le roulement neuf.
5. Posez soigneusement le joint torique neuf par-dessus l'extérieur du roulement neuf.
6. Posez le support de roulement et fixez-le avec les vis.
7. Vissez l'écrou freiné 3/8 po (9,52 mm).

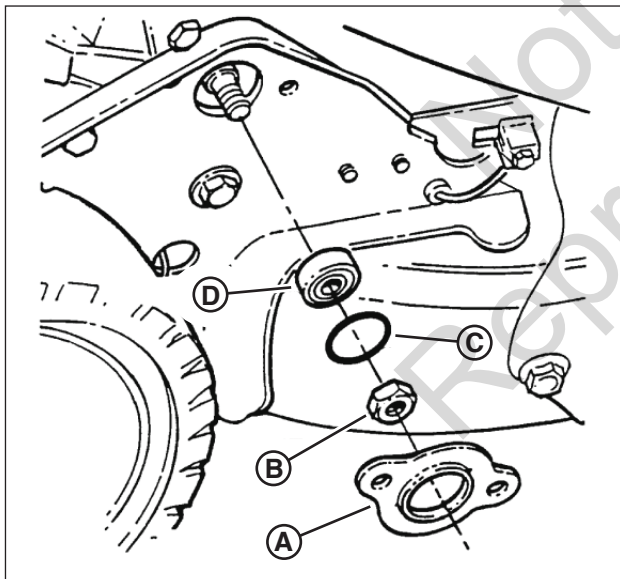


Figure 31: Remplacement du roulement sur l'arbre hexagonal

Entretien de la courroie

AVERTISSEMENT

NE PAS essayer de faire de l'entretien, des réglages ou des réparations quand le moteur et la lame tournent. ARRÊTEZ le moteur et la lame. Débranchez les câbles de la bougie d'allumage et éloignez-les de la bougie. Le moteur et ses composants sont CHAUDS. Évitez de graves brûlures en laissant suffisamment de temps aux composants pour qu'ils se refroidissent.

Sur les modèles autopropulsés, la courroie moteur (**A**, **Figure 32**) transmet la puissance de la poulie du moteur (**B**) au disque d'entraînement (**C**). Le disque d'entraînement alimente la courroie en V laquelle engage la transmission qui alimente les roues arrière. Si ces courroies s'usent, elles peuvent glisser et affecter la performance de la tondeuse. L'état de la courroie moteur ainsi que la courroie en V doit être vérifié toutes les 25 heures d'utilisation de la tondeuse.

Remplacement de la courroie d'entraînement du moteur (courroies à tension)

1. Vidangez le réservoir de carburant.
2. Remarquez le parcours de la courroie (**Figure 32**). Il n'y a pas de galet tendeur sur ces modèles.

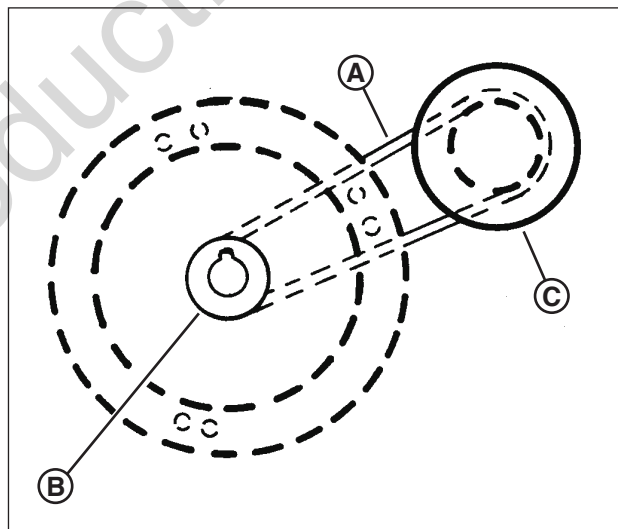


Figure 32: Parcours de la courroie d'entraînement du moteur

Remplacement de la courroie d'entraînement du moteur (courroies à tension - suite)

IMPORTANT : Vidangez le réservoir de carburant avant de basculer la tondeuse. NE PAS renverser la tondeuse avec le carburateur ou la bougie d'allumage en bas. L'huile du carter du moteur saturera le filtre à air et rendra le démarrage du moteur difficile, voire impossible. Si le filtre à air est saturé, il faudra le remplacer.

- Déposez le disque entraîné. Reportez-vous à la section intitulée « Remplacement du disque entraîné » pour la procédure de la dépose du disque entraîné.
- Vidangez le réservoir de carburant avant d'incliner la tondeuse. Ne renversez pas la tondeuse avec la bougie d'allumage ou le carburateur en bas. Basculez la tondeuse sur ses roues arrière, puis enlevez la lame et le moyeu de lame. L'aide d'une personne peut être requise afin de maintenir la tondeuse en position inclinée.
- Tenez l'extrémité fendue du boulon du disque d'entraînement (**B, Figure 33**) à l'aide d'un tournevis et enlevez l'écrou (**G**) et la rondelle frein interne (**F**).
- Retirez le couvre-courroie se trouvant sous le plateau.
- Soulevez le disque d'entraînement (**A**) vers le haut et enlevez la courroie usée.
- Passez une extrémité de la courroie neuve autour de la poulie du moteur et insérez l'autre extrémité par la fente dans le plateau.
- Passez la courroie autour de la poulie au bas du disque d'entraînement.
- Reposez le disque d'entraînement et les fixations.

IMPORTANT : 1) L'épaulement carré du boulon du disque d'entraînement doit s'insérer dans le trou carré de la bague.
2) L'extrémité carrée de la bague doit s'insérer dans la fente du support.

- Reposez le couvre-courroie et serrez fermement les boulons.
- Reposez le moyeu de lame ainsi que la lame de coupe. Le couple de serrage recommandé pour la vis d'assemblage de lame est de 40 lb-pi (54 N.m).

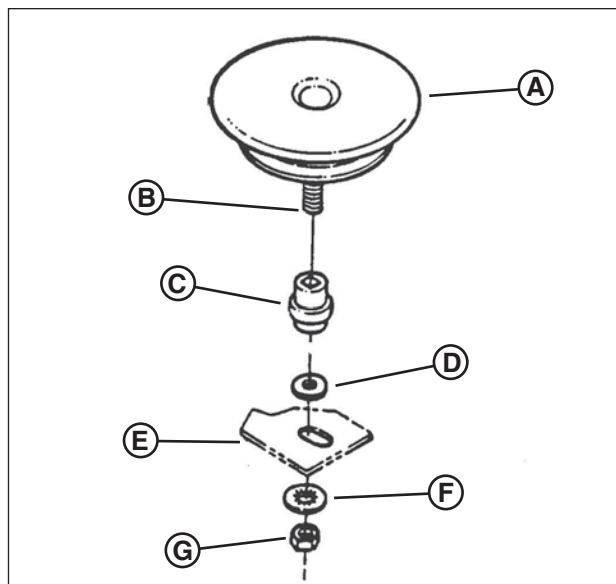


Figure 33: Dépose du disque d'entraînement

Remplacement de la courroie en V de transmission

- Déposez le disque d'entraînement. Reportez-vous à la section intitulée « Remplacement de l'anneau de caoutchouc du disque entraîné ».
- Prenez en note le parcours de l'ancienne courroie autour des trois poulies avant de la retirer.
- Placez la courroie en V (**A, Figure 34**) autour de l'arbre hexagonal (**B**) puis sur la poulie d'entraînement (**C**).
- Acheminez la courroie sur le dessus du galet tendeur (**D**).
- Tournez la courroie sur son côté et tirez-la vers le haut entre le support de différentiel (**E**) et la poulie entraînée, (**F**) puis vers le bas dans la gorge de la poulie. Assurez-vous que la courroie en V est au-dessus du guide de la courroie (**G**).

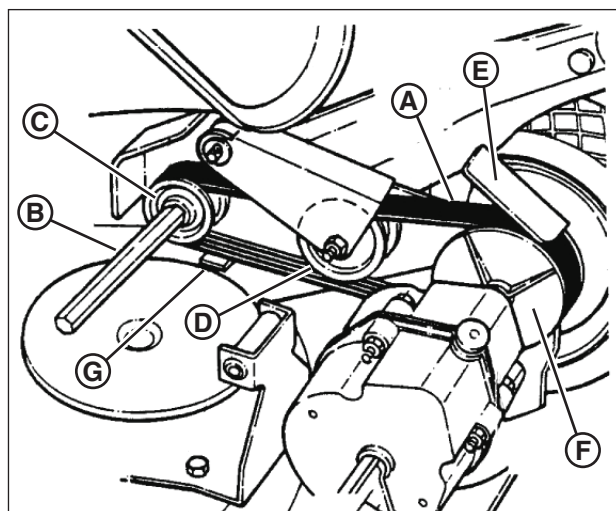


Figure 34: Parcours de la courroie en V

Dépannage

PROBLÈME	CAUSE PROBABLE	ACTION CORRECTIVE
Le moteur ne veut pas démarrer quand on utilise un lanceur à rappel.	1. Le réservoir d'essence est vide.	1. Remplissez le réservoir d'essence avec du carburant frais.
	2. Bougie débranchée.	2. Placez le câble de bougie d'allumage sur la bougie.
Le moteur cale ou s'arrête après avoir fonctionné	1. La commande de lame est relâchée ou n'est pas maintenue contre la poignée.	1. La commande de lame doit être maintenue en permanence contre la poignée pendant l'utilisation de la tondeuse.
	2. Le réservoir d'essence est vide.	2. Remplissez avec du carburant jusqu'au niveau approprié.
	3. Le dépoussiéreur et/ou le filtre à air du moteur sont sales.	3. Débarrassez-les de tous les débris.
	4. Bougie d'allumage encrassée ou écartement des électrodes mal réglé.	4. Réglez la bougie d'allumage.
	5. Eau, débris ou carburant éventé dans le circuit de carburant.	5. Vidangez ou nettoyez le circuit de carburant.
Le moteur perd de sa puissance.	1. Le dépoussiéreur ou le filtre à air du moteur est sale.	1. Nettoyer ou remplacer les filtres.
	2. Bougie d'allumage en panne	2. Réglez la bougie d'allumage.
	3. Eau, débris ou carburant éventé dans le circuit de carburant.	3. Vidangez ou nettoyez le circuit de carburant.
Vibrations excessives	1. Lame de tondeuse endommagée, déséquilibrée ou tordue.	1. Faire réparer la lame de tondeuse.
	2. Composants de lame desserrés.	2. Faire réparer et resserrer les pièces desserrées.
	3. Pompe à émulsion d'air desserrée ou manquante (si la tondeuse en est équipée).	3. Remplacer les pressostats. Serrer au bon couple.
	4. Courroie défoncée ou effilochée.	4. Remplacez la courroie.
La tondeuse ne veut pas se mouvoir/perte de traction	1. Accumulation de débris sur les éléments d'entraînement ou autour.	1. Nettoyez les débris.
	2. Glissement du disque entraîné	2. Nettoyez ou remplacez le disque entraîné.
	3. La courroie d'entraînement doit être remplacée.	3. Changer la courroie.
	4. Transmission endommagée.	4. Contactez un revendeur agréé.
L'herbe est mal coupée.	1. Hauteur de coupe trop basse ou trop haute.	1. Réglez la hauteur de coupe.
	2. Régime moteur trop bas.	2. Déplacez la commande de régime moteur à la position « rapide ».
	3. Vitesse de déplacement avant trop rapide.	3. Déplacez la commande de régime moteur à un régime plus lent.
	4. Coupe superposée, transversale.	4. Réglez la hauteur de coupe avec les leviers de réglage de hauteur.
	5. Inclinaison excessive du plateau de coupe, d'avant en arrière.	5. Réglez la hauteur de coupe avec les leviers de réglage de hauteur.
	6. Lame de coupe émoussée ou endommagée.	6. Aiguiser les bords de lame ou remplacez la lame.
Médiocre éjection d'herbe	1. Régime du moteur trop rapide.	1. Déplacez la commande de régime moteur à la position « rapide ».
	2. Marche avant trop rapide.	2. Déplacez la commande de régime moteur à un régime plus lent.
	3. L'herbe et mouillée.	3. Tondez quand l'herbe est sèche.
	4. Lame excessivement usée ou endommagée.	4. Faire réparer la lame de tondeuse.
	5. Accumulation de boules d'herbe et de débris sous le plateau.	5. Nettoyez le plateau.
	6. Lame inappropriée installée sur le plateau	6. Posez une lame appropriée.
	7. Lame incorrectement installée sur le plateau.	7. Posez la lame correctement.
Fuite d'huile.	1. Fuite du carter moteur.	1. Contactez un revendeur agréé.
		2. Vérifiez et serrez le bouchon de vidange.
		3. Assurez-vous que la jauge et/ou le bouchon de remplissage soient bien en place.

POLITIQUE DE GARANTIE SUR LES MOTEURS/ÉQUIPEMENTS BRIGGS & STRATTON

Avril 2012

GARANTIE LIMITÉE

Briggs & Stratton garantit la réparation ou le remplacement gratuit, pendant la période de garantie spécifiée ci-dessous, de toute pièce présentant des vices matériels ou de fabrication. Les frais de transport du produit devant faire l'objet d'une réparation ou d'un remplacement couvert par cette garantie sont à la charge de l'acheteur. Cette garantie est valable pendant les durées stipulées, en fonction des conditions énoncées ci-dessous. Pour trouver le distributeur autorisé le plus proche et bénéficier des services couverts par la garantie, veuillez consulter notre carte des distributeurs sur BRIGGSandSTRATTON.com. L'acheteur doit contacter le distributeur autorisé, puis lui amener le produit à des fins d'inspection et de test.

Aucune autre garantie explicite n'est fournie pour ce produit. Les garanties implicites, y compris les garanties de qualité marchande et d'adéquation à un usage particulier, sont limitées à un an à compter de la date d'acquisition, ou à une durée conforme à la législation. Toutes les autres garanties implicites sont exclues. Les responsabilités relatives aux dommages accessoires et indirects sont exclues dès lors que cette exclusion est autorisée par la loi. Certains États ou pays n'autorisent pas les limitations de durée de la garantie implicite. Certains États ou pays n'autorisent pas l'exclusion ou la limitation des dommages accessoires ou indirects. Le cas échéant, la limitation sus-mentionnée peut ne pas s'appliquer à votre situation. La présente garantie vous offre des droits légaux spécifiques, mais vous pouvez bénéficier d'autres droits en fonction de l'état ou du pays dans lequel vous vous trouvez.**

PÉRIODE DE GARANTIE

Élément	Utilisation par le consommateur	Utilisation commerciale
Machine	2 ans	90 jours
Moteur*	2 ans	90 jours
Batterie	1 an	1 an

* Concerne les moteurs Briggs et Stratton uniquement. La couverture des réclamations au titre de la garantie relatives aux moteurs tiers est assurée par le fabricant du moteur en question.

** En Australie : nos produits sont accompagnés de garanties ne pouvant être exclues, conformément à la loi australienne de protection du consommateur (Australian Consumer Law). Vous pouvez obtenir un remplacement ou un remboursement en cas de défaillance majeure ou en compensation de toute perte ou de tout dommage survenu dans le cadre des conditions raisonnablement prévisibles d'utilisation du produit. Vous pouvez également bénéficier de la réparation ou du remplacement des produits si la qualité de ces derniers n'est pas acceptable et si le défaut n'entraîne pas de défaillance majeure. Pour trouver le distributeur autorisé le plus proche et bénéficier des services couverts par la garantie, veuillez consulter notre carte des distributeurs sur BRIGGSandSTRATTON.COM, appeler le 1300 274 447 ou envoyer une demande par voie électronique à l'adresse salesenquires@briggsandstratton.com.au, ou par voie postale à l'adresse : Briggs & Stratton Australia Pty Ltd, 1 Moorebank Avenue, NSW, Australie, 2170.

La garantie commence à la date d'acquisition du produit par le consommateur ou l'entité commerciale, et continue tout au long de la période indiquée dans le tableau ci-dessus. « Utilisation par le consommateur » signifie que le produit sert dans le cadre d'une utilisation privée. « Utilisation commerciale » indique toutes les autres utilisations possibles, notamment à des fins commerciales, génératrices de revenus ou locatives. Une fois l'équipement utilisé à des fins commerciales, il est considéré comme un produit d'utilisation commerciale dans le cadre de cette garantie.

Aucun enregistrement de garantie n'est nécessaire pour jouir de la garantie sur les produits Briggs & Stratton. Conservez le reçu de votre achat. Si, lors d'une demande d'intervention couverte par la garantie, la date initiale d'achat ne peut être fournie, la date de fabrication du produit sert de référence pour déterminer le début de la période de garantie.

À PROPOS DE LA GARANTIE

Nous nous tenons à votre disposition pour les réparations au titre de la garantie et nous nous excusons des éventuels désagréments occasionnés. Les services couverts par la garantie sont fournis par les distributeurs autorisés Briggs & Stratton uniquement. La plupart des réparations au titre de la garantie sont prises en charge, mais il arrive que des demandes de réparation n'entrent pas dans le cadre de la garantie. Cette garantie couvre uniquement les vices matériels ou de fabrication. Elle ne couvre pas les dommages causés par une utilisation impropre ou abusive, un entretien ou des réparations impropres, l'usure normale ou du carburant vicié ou non approuvé.

Utilisation impropre et abusive - L'utilisation prévue et appropriée de ce produit est décrite dans le manuel de l'utilisateur. L'utilisation du produit de façon autre que celle décrite dans le manuel de l'utilisateur ou son utilisation après son endommagement annulent la garantie. Vous ne pourrez vous prévaloir de la garantie si le numéro de série du produit a été retiré, si le produit a été modifié d'une manière quelconque ou s'il présente des preuves d'utilisation abusive, telles que des marques de coups ou de corrosion par l'eau ou des produits chimiques.

Entretien ou réparation impropre - Ce produit doit être entretenu selon les procédures et les programmes d'entretien décrits dans le manuel de l'utilisateur. En outre, il doit être dépanné ou réparé en utilisant des pièces d'origine Briggs & Stratton. Les dommages causés par un défaut d'entretien ou l'utilisation de pièces n'étant pas d'origine ne sont pas couverts par la garantie.

Usure normale - Comme tous les appareils mécaniques, votre machine est sujette à l'usure même en cas d'entretien approprié. La présente garantie ne couvre pas les réparations lorsque l'équipement ou l'un de ses composants arrive en fin de vie après une utilisation normale. Les composants devant faire l'objet d'un entretien et sujets à l'usure tels que les filtres, courroies, lames et plaquettes de frein (les plaquettes de frein moteur sont couvertes) ne sont pas couverts par la garantie lorsque leur usure constitue la cause unique de la demande, à moins que les dommages ne soient dus à des vices matériels ou de fabrication.

Carburant vicié - Pour fonctionner correctement, ce produit exige l'utilisation de carburant neuf conforme aux critères spécifiés dans le manuel de l'utilisateur. Les dommages causés par un carburant vicié (fuites de carburant, conduites bouchées, soupapes collées, etc.) ne sont pas couverts par la garantie.

Déclaration de garantie du système de contrôle des émissions de l'État de Californie, de l'U.S. EPA et de Briggs & Stratton Droits et obligations du propriétaire au titre de la garantie

avril 2011

Le California Air Resources Board (CARB), l'U.S. EPA et Briggs & Stratton (B&S) ont le plaisir de vous expliquer la garantie du système de contrôle des émissions pour votre moteur/équipement fabriqué 2011-2012. En Californie, les petits moteurs à usage non routier et les gros moteurs à explosion d'un litre ou moins, neufs, doivent être conçus, fabriqués et équipés pour répondre aux normes sévères anti-effet de serre de l'État. B&S doit garantir le système de contrôle des émissions de votre moteur/équipement pendant les durées indiquées ci-après, en supposant que le moteur ou l'équipement n'ait pas fait l'objet d'abus, de négligence ou d'un mauvais entretien.

Le système de contrôle des émissions peut comprendre des pièces comme le carburateur ou le système d'injection de carburant, le réservoir de carburant, le système d'allumage et le convertisseur catalytique. Des durites, des courroies, des connecteurs, des capteurs et d'autres assemblages impliqués dans les émissions peuvent aussi en faire partie.

Si la condition de garantie est remplie, B&S réparera gratuitement votre moteur/équipement y compris le diagnostic, les pièces et la main-d'œuvre.

Couverture de la garantie du fabricant:

Les petits moteurs à usage non routier et les gros moteurs à explosion d'un litre ou moins sont garantis pendant une période de deux (2) ans. Si une pièce liée aux émissions de votre moteur/équipement est défectueuse, Briggs & Stratton la réparera ou la remplacera.

Dispositions de la garantie du système de contrôle des émissions de Briggs & Stratton

Suivent les dispositions particulières de la couverture de la garantie du système de contrôle des émissions. Elles viennent en complément de la garantie des moteurs B&S pour les moteurs non réglementés qui se trouve dans le manuel d'utilisation.

1. Pièces relatives au contrôle des émissions garanties

La couverture au titre de cette garantie ne s'étend qu'aux pièces énumérées ci-dessous (celles du système de contrôle des émissions) dans la mesure où ces pièces étaient présentes sur le moteur B&S et/ou le circuit d'alimentation prévu par B&S.

- Système de dosage du carburant
 - Système d'enrichissement pour démarrages à froid (starter)
 - Carburateur et pièces internes
 - Pompe à carburant
 - Durite et raccords de carburant, colliers
 - Réservoir de carburant, bouchon et câble d'attache
 - Réservoir à charbon actif
- Système d'admission d'air
 - Filtre à air
 - Collecteur d'admission
 - Conduite de vidange et de mise à l'air
- Système d'allumage
 - Bougie(s)
 - Système d'allumage par volant magnétique
- Système catalytique
 - Convertisseur catalytique
 - Collecteur d'échappement
 - Système d'injection d'air ou soupape d'impulsion
- Pièces diverses utilisées dans les systèmes ci-dessus
 - Soupapes et contacteurs de dépression, de température, de position et de durée
 - Raccords et assemblages

2. Durée de la couverture

Pendant une période de deux (2) ans à compter de la date de l'achat initial, B&S garantit à l'acheteur initial et à chaque acheteur suivant que le moteur est conçu, fabriqué et équipé de manière à être en conformité avec toutes les réglementations applicables adoptées par l'Air Resources Board, qu'il est exempt de tout défaut de matière ou de construction susceptible d'entraîner la défaillance d'une pièce garantie et qu'il est matériellement identique en tous points au moteur décrit dans la demande de certification du fabricant. La période de garantie démarre à la date de l'achat initial du moteur.

Responsabilités du propriétaire au titre de la garantie:

- En tant que propriétaire d'un moteur/équipement, vous êtes responsable de l'entretien nécessaire indiqué dans le manuel d'utilisation. B&S recommande de conserver toutes les factures de maintenance de votre moteur/équipement mais B&S ne peut renier la garantie uniquement à cause de l'absence de factures ou parce que tous les entretiens n'ont pas été effectués en temps prévu.
- En tant que propriétaire d'un moteur/équipement, vous devez néanmoins savoir que B&S peut refuser d'appliquer la garantie si la défectuosité de votre moteur/équipement ou d'une partie de celui-ci est due à un abus, une négligence, un entretien non correct ou des modifications non approuvées.
- Vous avez la responsabilité de confier votre moteur/équipement à un centre de distribution, un Réparateur Agréé ou toute entité équivalente de B&S, selon la solution applicable, dès que le problème apparaît. Les réparations effectuées sous garantie doivent l'être en un temps raisonnable qui ne doit pas excéder trente (30) jours. Si vous avez des questions concernant vos droits et vos responsabilités au titre de la garantie, contactez B&S au (414) 259-5262.

La garantie sur les pièces liées aux émissions est comme suit:

- Toute pièce garantie dont le remplacement n'est pas prévu dans le cadre de la maintenance obligatoire indiquée dans le manuel d'utilisation fourni est garantie pendant la période susmentionnée. Si cette pièce se révélait être défectueuse au cours de la période de garantie, elle serait réparée ou remplacée par B&S sans aucun frais pour le propriétaire. La pièce ainsi réparée ou remplacée sera garantie pour la période restante.
 - Toute pièce garantie dont seule une inspection régulière est prévue dans le manuel d'utilisation fourni est garantie pendant la période susmentionnée. La pièce réparée ou remplacée dans le cadre de la garantie sera garantie pour la période restante.
 - Toute pièce garantie dont le remplacement est prévu dans le cadre de la maintenance obligatoire indiquée dans le manuel d'utilisation fourni est garantie pendant la période précédant le premier remplacement prévu de cette pièce. Si cette pièce se révélait être défectueuse avant le premier remplacement prévu, elle serait réparée ou remplacée par B&S sans aucun frais pour le propriétaire. La pièce ainsi réparée ou remplacée sera garantie pour la période restante précédant le premier remplacement prévu de ladite pièce.
 - Les pièces ajoutées ou modifiées qui ne sont pas exemptées par l'Air Resources Board ne peuvent être utilisées. L'utilisation par le propriétaire de pièces ajoutées ou modifiées non exemptées sera un motif de rejet de toute réclamation. Le fabricant ne peut en aucun cas être tenu de garantir les défaillances de pièces garanties dues à l'utilisation de pièces non exemptées ajoutées ou modifiées.
- Couverture des conséquences
 - Reclamations et exclusions de garantie

La présente couverture s'étend à la défaillance de tout composant du moteur due à la défaillance d'une pièce liée aux émissions garantie.

Les réclamations sous garantie seront présentées selon les dispositions de la police de garantie des moteurs de B&S. La garantie ne couvre pas les défaillances de pièces liées aux émissions qui ne sont pas des pièces B&S d'origine ou les défaillances de pièces qui ont fait l'objet d'abus, de négligence ou d'un mauvais entretien ainsi qu'indiqué dans la police de garantie des moteurs de B&S. B&S n'est pas tenu de couvrir la garantie des défaillances des pièces liées aux émissions dues à l'utilisation de pièces rajoutées ou modifiées.

Consultez les informations sur la période de durabilité des émissions et l'indice d'air sur l'étiquette d'émissions du petit moteur à usage non routier

Les moteurs qui sont certifiés conformes à la norme d'émissions relatives aux petits moteurs à usage non routier du California Air Resources Board (CARB) doivent afficher l'information concernant la période de durabilité des émissions et l'indice d'air. Cette information est indiquée sur les étiquettes apposées sur les moteurs par Briggs & Stratton. L'étiquette du moteur indique les informations de certification.

La **période de durabilité des émissions** indique le nombre d'heures d'utilisation normale pour lequel le moteur est certifié conforme aux normes d'émissions sous réserve d'un entretien approprié tel qu'indiqué dans le manuel d'utilisation et d'entretien. Les catégories suivantes sont utilisées:

Modéré:

le moteur est certifié conforme pour 125 heures d'utilisation normale.

Intermédiaire:

le moteur est certifié conforme pour 250 heures d'utilisation normale.

Étendu:

le moteur est certifié conforme pour 500 heures d'utilisation normale. Par exemple, une tondeuse à conducteur marchant classique est utilisée 20 à 25 heures par an. Par conséquent, la **période de durabilité des émissions** d'un moteur de catégorie **intermédiaire** équivaudrait à une douzaine d'années.

Les moteurs Briggs & Stratton sont certifiés conformes aux normes environnementales d'émissions de la United States Environmental Protection Agency (U.S. EPA) Phase 2 ou Phase 3. La période de conformité d'émissions mentionnée sur les étiquettes indique le nombre d'heures d'utilisation pour lequel le moteur est en conformité avec les normes fédérales.

Pour les moteurs de cylindrée inférieure à 225 cm³.

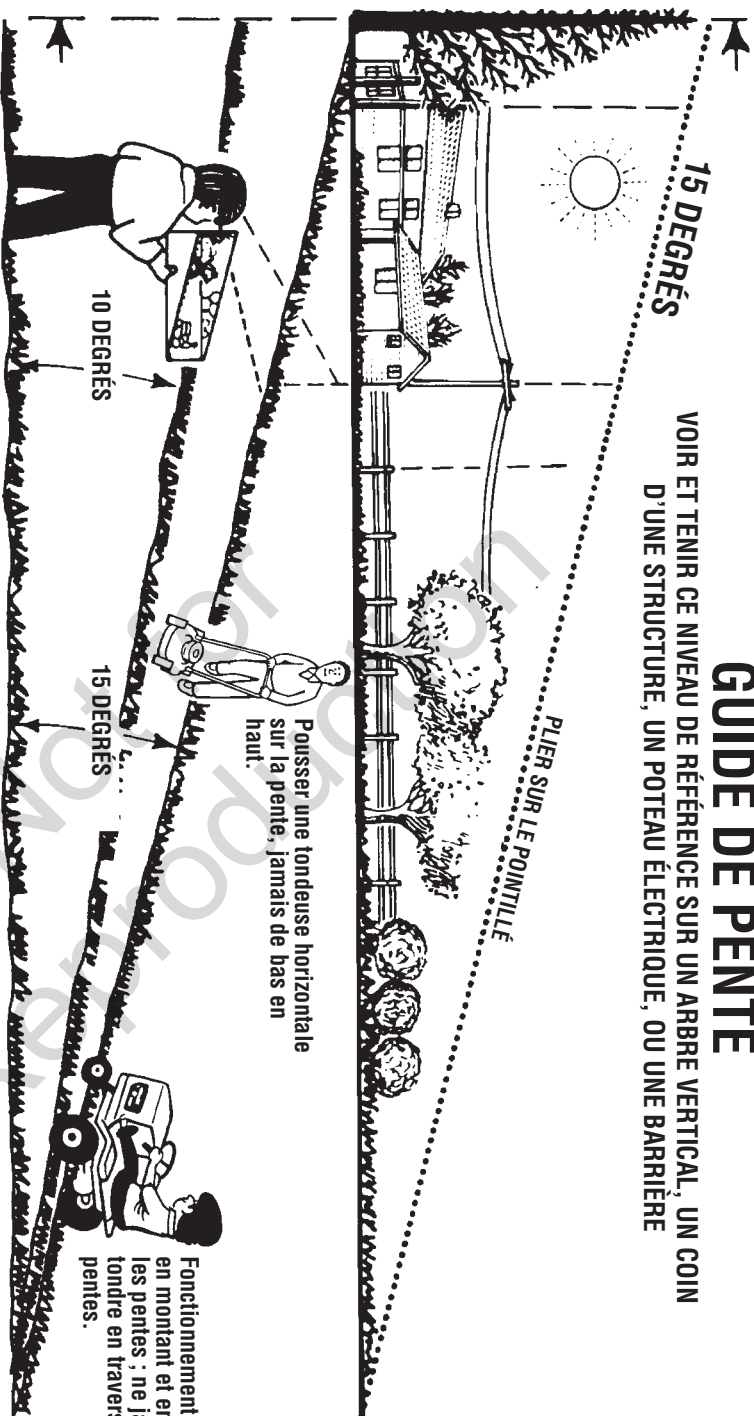
Catégorie C = 125 heures, catégorie B = 250 heures et catégorie A = 500 heures.

Pour les moteurs de plus de 225 cm³.

Catégorie C = 250 heures, catégorie B = 500 heures et catégorie A = 1000 heures.

GUIDE DE PENTE

VOIR ET TENIR CE NIVEAU DE RÉFÉRENCE SUR UN ARBRE VERTICAL, UN COIN D'UNE STRUCTURE, UN POTEAU ÉLECTRIQUE, OU UNE BARRIÈRE



Avec une tondeuse autoportée, pour déterminer si une pente peut être tondue : (1) désengager la (les) lame(s), (2) embrayer l'unité en marche arrière, (3) essayer de prendre la pente en marche arrière et de rester bien droit. Si vous pouvez reculer sur la pente, c'est qu'elle est généralement sécuritaire. Toutefois, si vous ne vous sentez pas en sécurité ou si vous n'êtes pas complètement certain, utilisez ce guide et ne pas tondre une pente supérieure à 15 degrés. Si la tondeuse autoportée est utilisée avec un accessoire tracté ou fixé à l'arrière, ne pas conduire l'unité sur une pente ayant une pente supérieure à 10 degrés.

Une pente de 15 degrés est une pente qui augmente verticalement de 76,2 cm (2,5 pi) pour une base horizontale de 304,8 cm (10 pi) approximativement.
 Une pente de 10 degrés est une pente qui augmente verticalement de 51,8 cm (1,7 pi) pour une base horizontale de 304,8 cm (10 pi) approximativement.



Soyez prudent en tout temps et évitez les virages et les manoeuvres brusques. Suivre les autres directives de ce manuel pour tondre sécuritairement sur les pentes. Fonctionnement autoporté en montant et en descendant les pentes : ne jamais tondre en travers des pentes. Pousser une tondeuse horizontale sur la pente, jamais de bas en haut. Soyez toujours prudent lorsque vous tondez près des pentes ou des obstacles.



**Tondeuses à pousser avec plateau de coupe
en acier de 21 po (53 cm) de la série 20**

Spécifications	7800841	7800842 / 7800845
Tondeuse		
Dimension du plateau (po / cm)	21 / 53	21 / 53
Hauteur de coupe (po / cm)	1.25 - 4 / 3,18 - 10,16	1.25 - 4 / 3,18 - 10,16
Type de transmission	---	Engrenages
Vitesse d'avancement (mph / kph)	---	1.2 - 4 / 1,9 - 6,4
Couple de serrage de lame (lb-pi / N.m)	40 / 54	40 / 54
Moteur		
Puissance brute du moteur * (lb-pi)	7.25	7.25
Cylindrée du moteur (cc)	190	190
Capacité du réservoir de carburant (pte / l)	1.0 / 0,95	1.0 / 0,95
Volume maximum d'huile (oz / l)	18 - 20 / 0,54 - 0,59	18 - 20 / 0,54 - 0,59
Écart des électrodes de bougie (po / mm)	0.020 / 0,50	0.020 / 0,50
Couple de serrage de bougie (lb-po / N.m)	180 / 20	180 / 20

*** Puissance nominale**

Les étiquettes de puissance nominale brute pour les modèles de moteurs à essence individuels répondent au code J1940 (Small Engine Power & Torque Rating Procedure) de la SAE (Society of Automotive Engineers) ; et la performance nominale a été obtenue et corrigée conformément à SAE J1995 (Révision 2002-05). Les valeurs de couple sont dérivées à 3 060 tr/min ; les valeurs de puissance sont dérivées à 3 600 tr/min. Les courbes de puissance brute peuvent être consultées sur le site www.BRIGGSandSTRATTON.COM. Les valeurs données pour la puissance nette sont mesurées avec l'échappement ou le filtre à air installé tandis que les valeurs données pour la puissance brute sont recueillies sans ces accessoires. La puissance brute du moteur sera plus élevée que la puissance nette du moteur et elle affectée, entre autres, par les conditions atmosphériques de fonctionnement et les variations entre les moteurs. Étant donné la gamme étendue de produits sur lesquels les moteurs sont placés, il se peut que le moteur à essence ne développe pas la puissance nominale brute quand il est utilisé sous une version spécifique d'alimentation électrique. Cette différence est due à différents facteurs, y compris, mais sans toutefois s'y limiter, la diversité des composants du moteur (filtre à air, échappement, chargement, refroidissement, carburateur, pompe à carburant, etc.), la limite des applications, les conditions atmosphériques de fonctionnement (température, humidité, altitude) et les variations entre les moteurs. En raison des limites de fabrication et de capacité, Briggs & Stratton peut substituer un moteur d'une puissance nominale supérieure pour le moteur de cette série.



800-935-2967
www.snapper.com