

# ATTACHMENT OPERATOR'S MANUAL



## Rear Engine Rider for Single Bag Catcher

Mfg. No.	Description
7600101	Single Bag Catcher
107.249820	

For answers to your questions about this product, call:

**1-800-935-2967**

Briggs & Stratton Yard Power Products  
8 am - 4 pm, Monday - Friday



CAUTION: Read and follow all instructions

7104048 -  
Rev.: A  
Rev. Date: 01/2010

Not for  
Reproduction

# Table of Contents

<b>Operator Safety .....</b>	<b>4</b>
General Warnings .....	4
Safety Decals .....	4
<b>Assembly.....</b>	<b>5</b>
Bag Rod Installation.....	5
Frame Assembly .....	5
Dust Skirt Installation .....	5
Cover Assembly .....	6
Muffler Shield Installation.....	6
Attach Cover and Frame Assembly to Tractor .....	6
Tube Assembly.....	7
Attach Bagger Adapter .....	7
Attach Handle to Tube.....	7
Tube Installation.....	8
Final Installation.....	8
<b>Operation.....</b>	<b>9</b>
<b>Parts List.....</b>	<b>10</b>
<b>Warranty.....</b>	<b>11</b>

*NOTE:* In these instructions, “left” and “right” are referenced from the operating position.

Not for  
Reproduction

## Operator Safety

**⚠ Read these safety rules and follow them closely. Failure to obey these rules could result in loss of control of unit, severe personal injury or death to you, or bystanders, or damage to property or equipment. The ⚠ triangle in text signifies important cautions or warnings which must be followed.**

### **⚠ General Warnings**

- Know the unit's controls and how to stop quickly. **READ THE OPERATOR'S MANUALS.**
- Read and obey all safety decals.
- Only allow responsible adults, who are familiar with the instructions, to operate the unit.
- Disengage the PTO. Shut off the engine and wait for all moving parts to stop before attaching, adjusting, or disconnecting any part of the collection system.
- Check the collection system to make sure it is bolted tightly to the unit.
- **DO NOT** operate the unit without either the entire grass catcher or the deflector in place.
- Turn off the PTO to disengage the blades when not mowing.
- **DO NOT** mow in reverse unless absolutely necessary. Always look down and behind before and while travelling in reverse.
- **DO NOT** turn sharply when travelling alongside a building or any object. Slow down before turning.
- **DO NOT** carry passengers.
- When collection system is removed from the mower deck, the deflector must be properly installed.
- Collector bags are subject to deterioration and wear during normal use. Inspect the bag periodically for tears, holes, or weak spots and replace with a new bag that meets manufacturer's durability standards.
- For added stability and to prevent tipping or loss of control:
  - a. Use reduced speed on uneven ground and when turning corners.
  - b. Reduce loads on hillsides. It is recommended that the collection system be kept only half full when negotiating any slopes. Start mowing on slopes when the collection system is empty.
  - c. Mow up and down the face of slopes; never across the face of any slope.
- **Never operate on slopes greater than 17.6% (10°).**

### **Safety Decals**

Several safety labels are installed on the unit to remind you of important information while you are operating your unit.

All **DANGER, WARNING, CAUTION** and instructional messages on your rider, attachments and mower should be carefully read and obeyed. Personal bodily injury can result when these instructions are not followed. The safety decals below are on your product.

If any decals are lost or damaged, replace them at once. See your local dealer for replacements.

These labels are easily applied and will act as a constant visual reminder to you, and others who may use the equipment, to follow the safety instructions necessary for safe, effective operation.

### **Attachment Decal**



**Decal - WARNING Chute / Deflector Decal**  
Part Number 7046720

*NOTE:* In this manual, “left” and “right” are always defined from the standpoint of the operator position facing forward from seat.

**⚠ WARNING:** Before beginning any service work turn off the PTO, set the parking brake, turn off the ignition, and disconnect the spark plug wires).

## Bag Rod Installation

1. Slide bag rod (A, Figure 1) through sleeve on upper edge of grass bag (B).

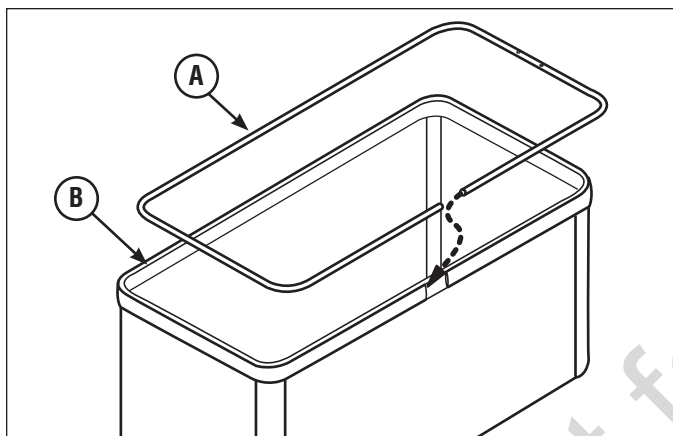


Figure 1

2. Stand grass bag assembly (A, Figure 2) on end.
3. Secure rod ends (B) with connector (C).

*NOTE:* Use of a rubber mallet may be necessary to carefully tap rod ends tightly into the connector.

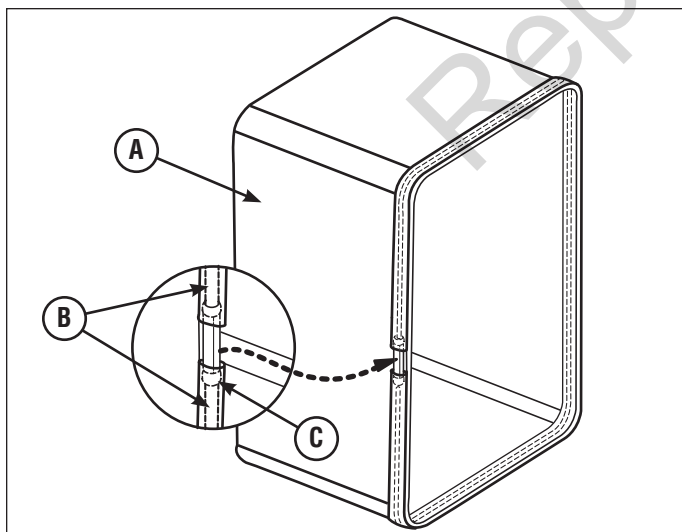


Figure 2

## Frame Assembly

1. Insert capscrew (A, Figure 3) through hole of catcher latch (B) and grass catcher frame (C). Secure with locknut (D).

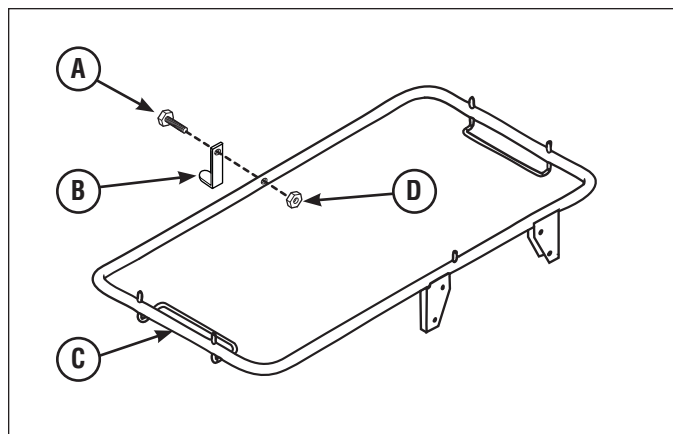


Figure 3

## Dust Skirt Installation

1. Place dust skirt (A, Figure 4) over catcher frame (B).

*NOTE:* Short side of dust skirt wraps around to the inside of catcher frame.

2. Insert all frame pegs (C) through all holes (D) of dust skirt.

*NOTE:* Elongated holes (E) in dust skirt extend to holes of frame brackets (F).

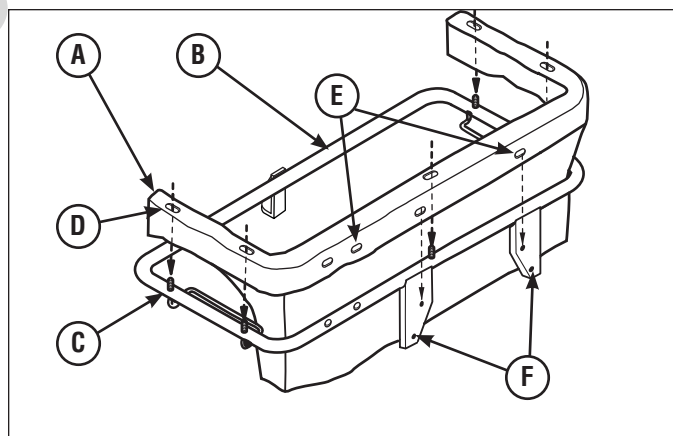


Figure 4

# Assembly

## Cover Assembly

1. Place cover (A, Figure 5) over top of grass catcher assembly (B) and insert frame pegs (C) through holes (D) of cover.
2. Using a 1/2" socket wrench, secure frame pegs with faceted washers (E).

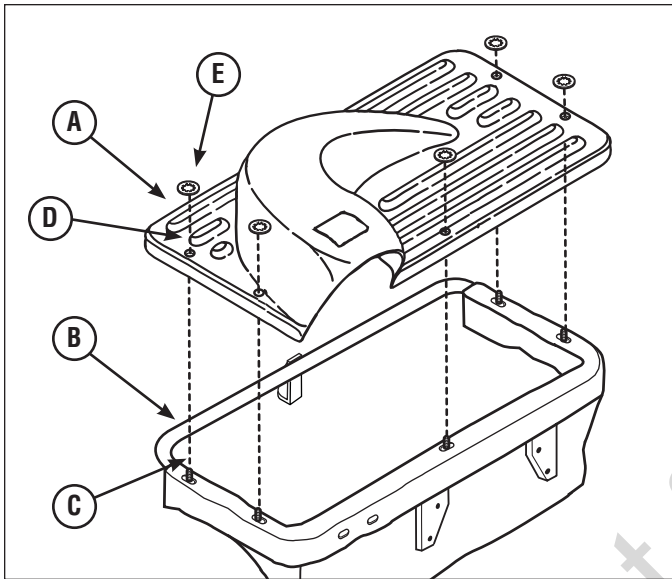


Figure 5

## Muffler Shield Installation

1. Remove the two screws (A, Figure 6) securing the right side rear bumper (B).

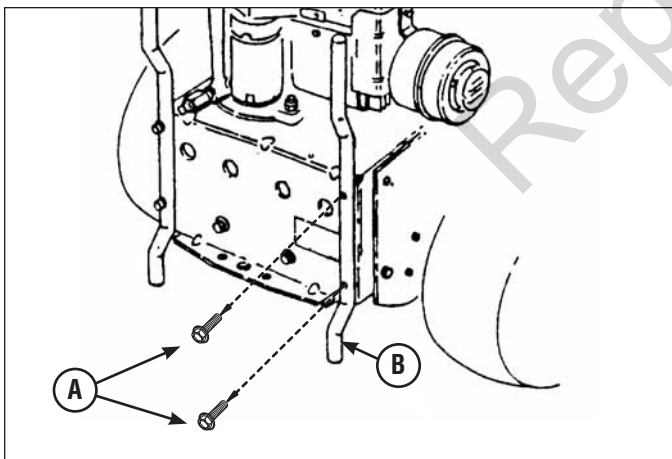


Figure 6

2. Install shield (C, Figure 7) to right side rear bumper (B) and secure with existing screws (A).

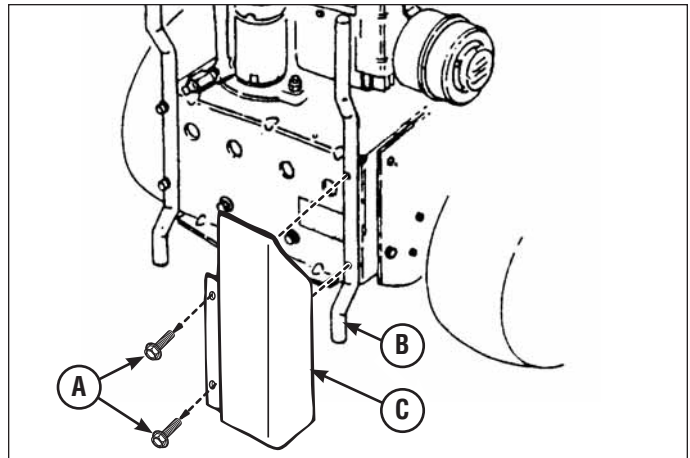


Figure 7

## Attach Cover / Frame Assembly to Tractor

1. Position bagger frame brackets (A, Figure 8) onto bumper posts (B).
2. Insert clevis pins (C) through bottom holes on each side of bagger frame brackets and secure with hairpins (D).

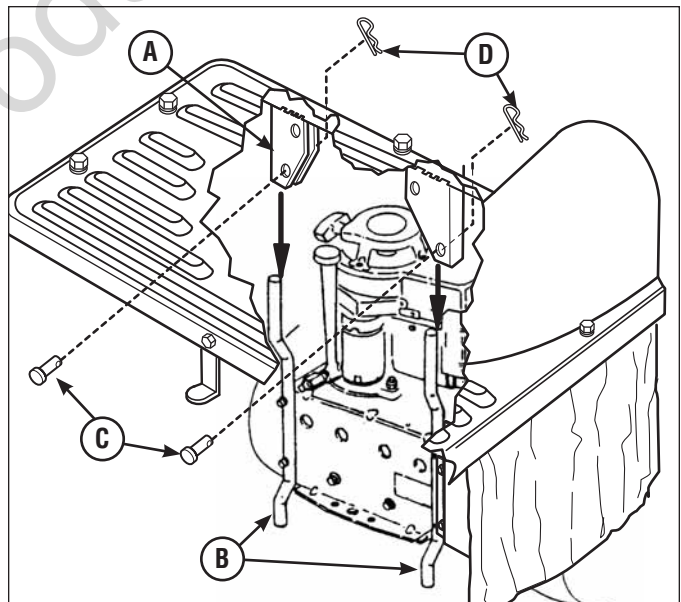


Figure 8

## Tube Assembly

1. Place tube latch (A, Figure 9) on bagger adapter assembly (B).
2. Insert carriage bolt (C) through top hole (D) and secure with washer (E) and nut (F).

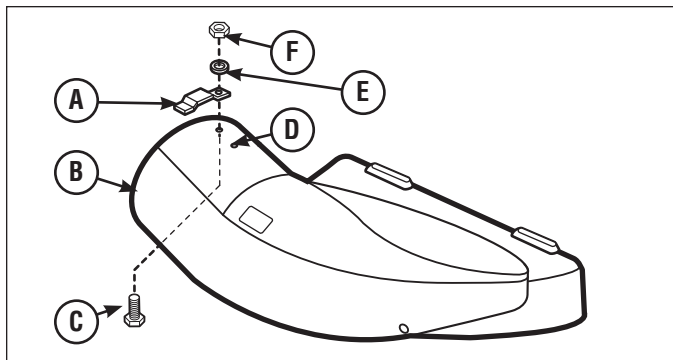


Figure 9

## Attach Bagger Adapter

1. Remove existing bolts and wing nuts from deflector chute.
2. Rotate deflector (A, Figure 10) up to expose inside of bagger adapter hinge (B).
3. Position adapter (C) and align the lugs (D) with hinge lug retainers (E).

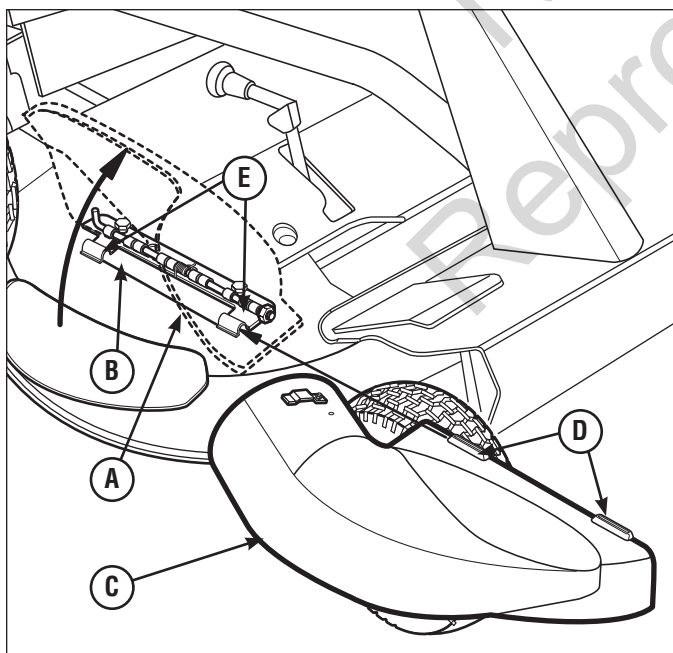


Figure 10

4. Slide lugs (D, Figure 11) into hinge lug retainers (E) to secure (A) on deflector hinge (B).
5. Secure adapter to the deck with bolt (F) and wing nut (G).

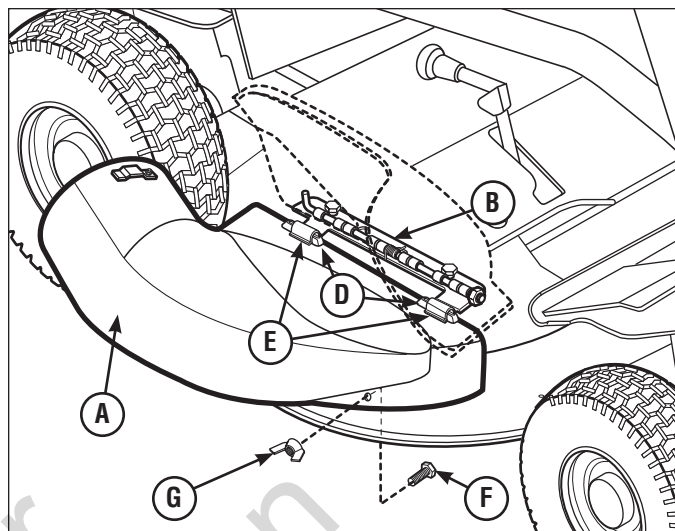


Figure 11

## Attach Handle to Tube

1. Insert bolts (A, Figure 12) through handle base (B), catcher tube (C) and handle (D).
2. Secure with locking washers (E) and hexnuts (F).

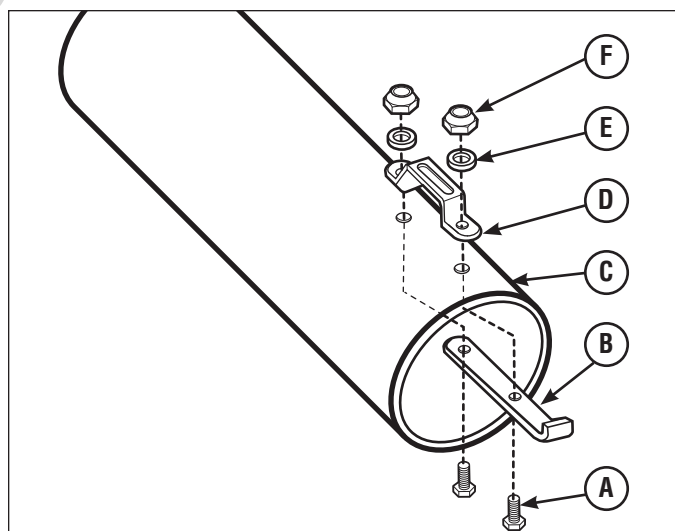


Figure 12

# Assembly

## Tube Installation

1. Insert catcher tube (A, Figure 13) in opening of grass catcher cover (B).

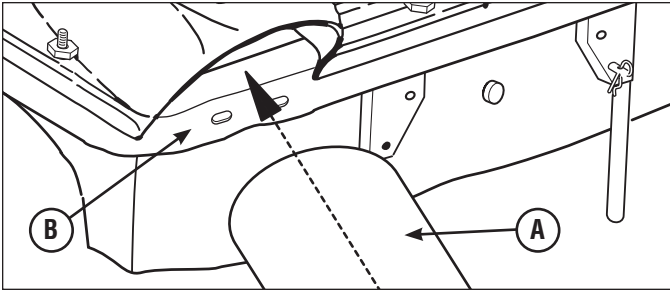


Figure 13

2. Slide lower end of tube (A, Figure 14) over adapter end (B)
3. Rotate tube towards mower to secure handle hook (C) under latch (D).

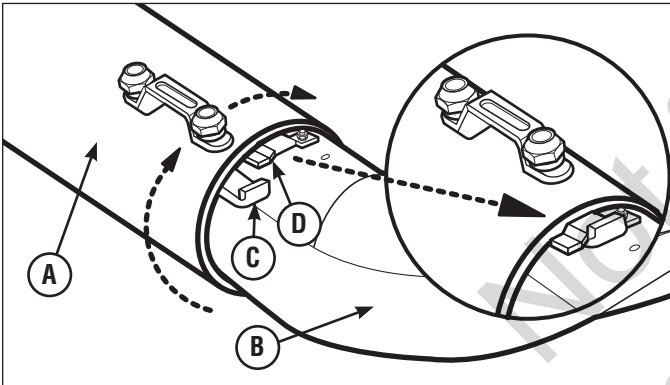


Figure 14

2. Place debris shield (A, Figure 15) under the catcher tube (B) with the offset hole pattern towards the center of the tractor

*Note:* If there are no holes in the dust skirt for mounting the debris shield, CAREFULLY puncture two holes to accommodate assembly.

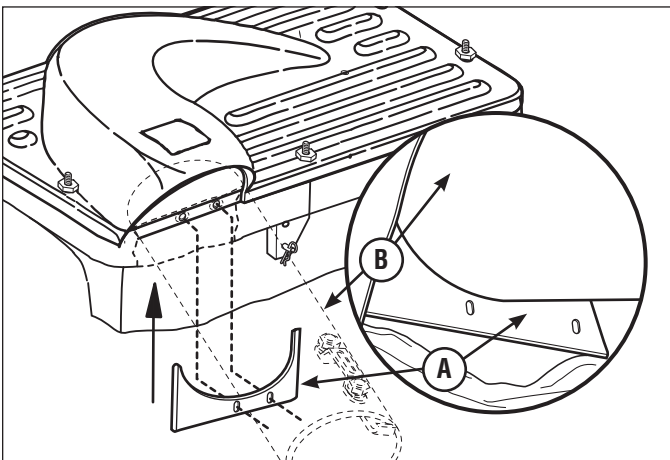


Figure 15

3. Insert bolts (A, Figure 16) through debris shield (B), holes of dust skirt and catcher frame.

*Note:* Debris shield need to be positioned close enough to catcher tube in order to prevent any gap between tube and shield. DO NOT squeeze catcher tube.

4. Secure debris shield with washers (C) and locknuts (D).

*Note:* Tube must slide freely between catcher and debris shield. If the tube does not slide freely, repeat Step 4.

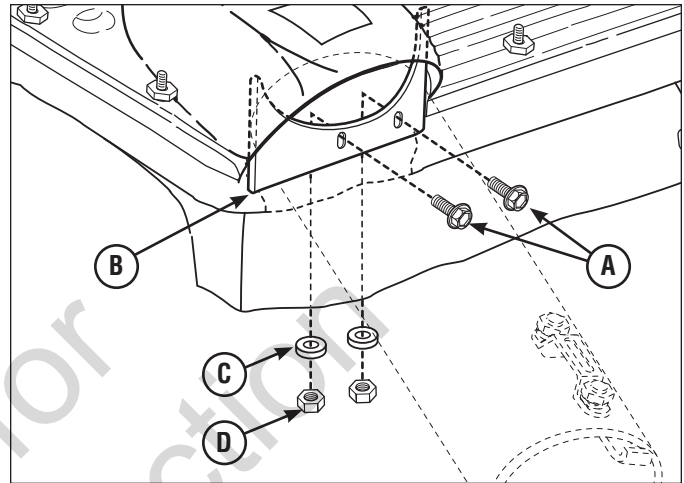


Figure 16

## Final Installation

1. Rotate latch up (A, Figure 17) on catcher frame (B) to a horizontal position.
2. Slide grass bag assembly (C) into brackets (D) catcher frame

*Note:* Mesh side of catcher bag should face away from tractor.

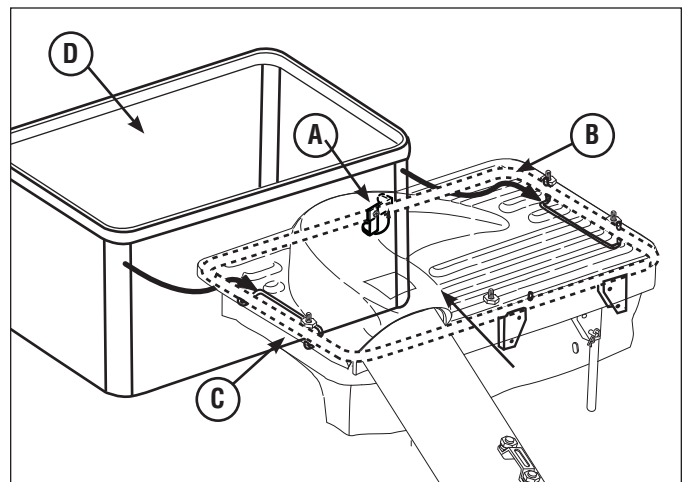


Figure 17



## Before Operation

Clear the lawn of all sticks, stones, wire and other debris which may be caught or thrown by the mower blades.

Check grass condition. If wet, wait until later in the day. If grass is wet, the grass catcher is likely to become plugged.

For efficient bagging, air circulation under the mower deck, through the chute and into the bag is very important.

For this reason, **BEFORE YOU BEGIN MOWING** you should make certain the underside of the mower and the underside of the catcher lid are free from grass and debris.

Make sure that there is a snug fit between mower deck, blower housing, tubes, and grass catcher cover.



## Mowing with the Catcher

Always operate with throttle at full speed when mowing.

Grass should be cut often, and not too short. If grass is too long or lush it may be necessary to keep ground speed to a minimum or to cut only half the width of the mower to prevent clogging. If grass is long, operate with mower in high cutting position for first pass, cutting again in a lower position on a second pass.

### Do not open the cover with mower engaged.

If a large amount of cut grass is spilling out from under deck, the tube may be plugged or the bags may be full—discontinue mowing, stop the unit, disengage the PTO, shut off the engine and then empty the catcher or clear the tube.

**WARNING:** ALWAYS shut off the tractor. Disengage the PTO, and allow all moving parts to stop **BEFORE** disconnecting or clearing tube, or emptying catcher. Before leaving the operator's position for any reason, engage the parking brake, disengage the PTO, stop the engine and remove the key.

To reduce fire hazard, keep the engine, rider and mower free of grass, leaves and excess grease. Do not stop or park rider over dry leaves, grass or combustible materials.

**CAUTION:** Before you begin operating the unit be certain you have read all of the safety and operational information of this instruction sheet, as well as the Operator's Manual for the tractor and any other attachments.

**NOTE:** Never operate on slopes greater than 17.6% (10°).

## After Operation

Remove any debris from the screen on the underside of the lid.

The blower housing and tube should be removed for cleaning.

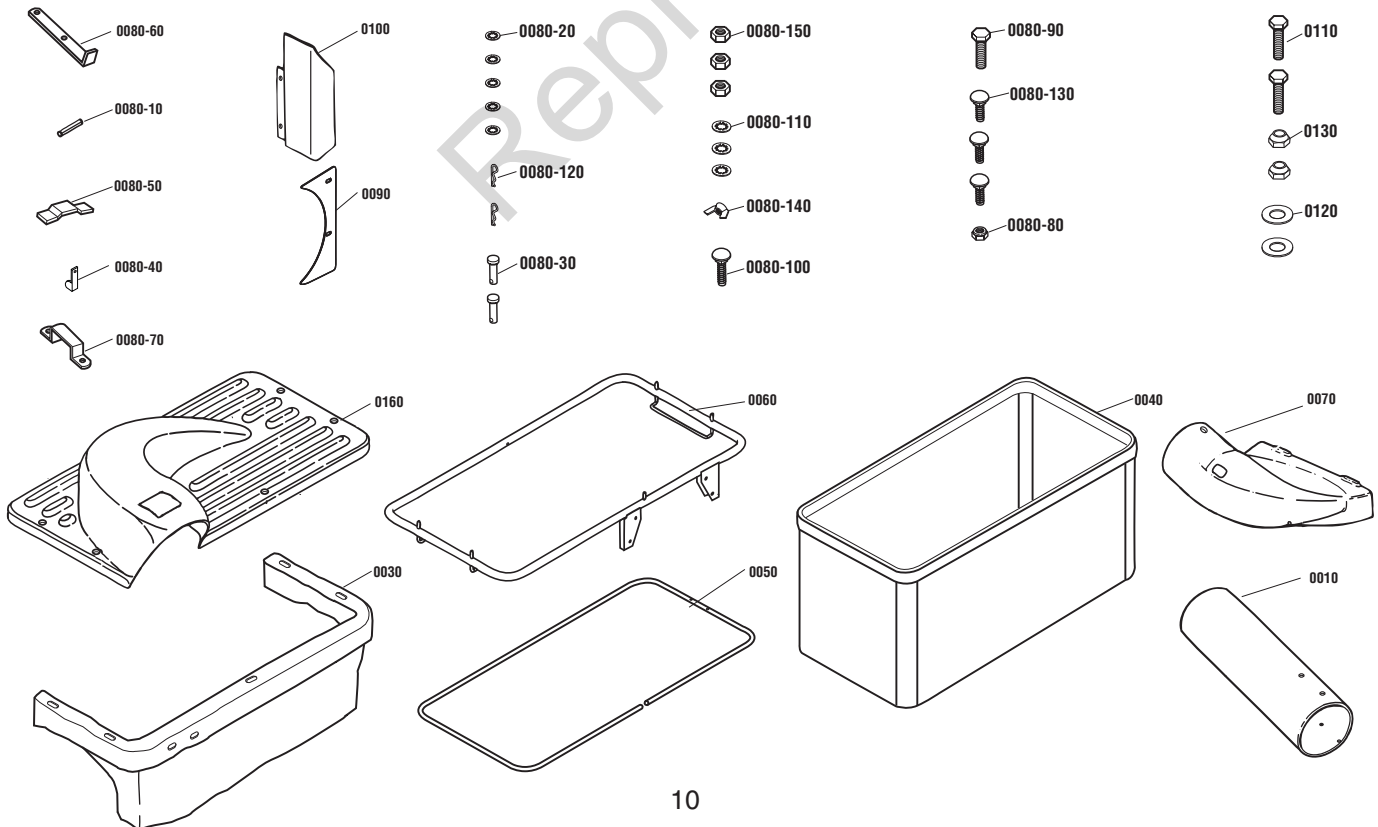
Inspect the grass bags for wear or damage. Make sure that there is a snug fit between mower deck, blower housing, tubes, and grass catcher cover.

**CAUTION:** Do not leave grass in bagger containers. Empty containers after each use and before storing. Failure to do so may result in spontaneous combustion which could develop into a fire.

# Parts List

## Kit Contents:

Level	Item	Number	Object Description	Quantity
1	0010	7014517	GRASS TUBE, 28-33	1
1	0030	7016108	SKIRT, Dust	1
1	0040	7019251	GRASS BAG, Single	1
1	0050	7037758	ROD, Bag	1
1	0060	7047973	FRAME , Grass Bag	1
1	0070	7057816	ADAPTER ASSEMBLY, Bagger	1
1	0080	7060313	HARDWARE BAG	1
2	0010	7012556	CONNECTOR, 1/2 x 3	1
2	0020	7029840	PALNUT, Washer, Faceted, 5/16	5
2	0030	7029841	CLEVIS PIN, 5/16 x 1-11/16	2
2	0040	7031725	LATCH, Grass Catcher	1
2	0050	7031951	LATCH, Tube	1
2	0060	7031952	BASE, TUBE HANDLE, YELLOW	1
2	0070	7037745	HANDLE, Tube	1
2	0080	7090376	NUT, Hex, Locking, #10	1
2	0090	7090532	CAPSCREW, Hex Head, Machine, #10 x 1-3/8, G2	1
2	0100	7091303	BOLT, Carriage, 5/16 x1, GR5	1
2	0110	7090053	WASHER, Locking, 1/4 (prev. 7091314)	3
2	0120	7091503	HAIRPIN, 3/32 x 1-1/2	2
2	0130	7091530	BOLT, Carriage. 1/4 x 3/4, G5	3
2	0140	7091537	WINGNUT, 5/16	1
2	0150	7091576	NUT, Hex, 1/4, GR5	3
1	0090	7063287	SHIELD, Grasscatcher	1
1	0100	7071677	MUFFLER GUARD, Grass Catcher	1
1	0110	7090909	CAPSCREW, Hex Head, 1/4 x 1-1/2, G2	2
1	0120	7091294	WASHER, Flat, 9/32 x 5/8	2
1	0130	7091705	NUT, Hex, Locking, Tapere d, 1/4	2
1	0160	7501833	GRASS CONTAINER ASSEMBLY, Top	1



## BRIGGS & STRATTON POWER PRODUCTS GROUP, L.L.C. OWNER WARRANTY POLICY

### LIMITED WARRANTY

Briggs & Stratton Power Products Group, LLC will repair and/or replace, free of charge, any part(s) of the equipment that is defective in material or workmanship or both. Briggs & Stratton Corporation will repair and/or replace, free of charge, any part(s) of the Briggs and Stratton engine\* (if equipped) that is defective in material or workmanship or both. Transportation charges on product submitted for repair or replacement under this warranty must be borne by purchaser. This warranty is effective for the time periods and subject to the conditions stated below. For warranty service, find the nearest Authorized Service Dealer using our dealer locator at [www.BriggsandStratton.com](http://www.BriggsandStratton.com).

There is no other express warranty. Implied warranties, including those of merchantability and fitness for a particular purpose, are limited to one year from purchase or to the extent permitted by law. Liability for incidental or consequential damages are excluded to the extent exclusion is permitted by law.

Some states or countries do not allow limitations on how long an implied warranty lasts, and some states or countries do not allow the exclusion or limitation of incidental or consequential damages, so the above limitation and exclusion may not apply to you. This warranty gives you specific legal rights and you may also have other rights which vary from state to state or country to country.

### WARRANTY PERIOD

Item	Consumer Use	Commercial Use:
Equipment	1 Years	N/A

The warranty period begins on the date of purchase by the first retail consumer or commercial end user, and continues for the period of time stated above. "Consumer use" means personal residential household use by a retail consumer. "Commercial use" means all other uses, including use for commercial, income producing or rental purposes. Once product has experienced commercial use, it shall thereafter be considered as commercial use for purposes of this warranty.

No warranty registration is necessary to obtain warranty on Briggs & Stratton products. Save your proof of purchase receipt. If you do not provide proof of the initial purchase date at the time warranty service is requested, the manufacturing date of the product will be used to determine warranty eligibility.

### ABOUT YOUR WARRANTY

We welcome warranty repair and apologize to you for being inconvenienced. Warranty service is available only through servicing dealers authorized by Briggs & Stratton or BSPPG, LLC.

Most warranty repairs are handled routinely, but sometimes requests for warranty service may not be appropriate. This warranty only covers defects in materials or workmanship. It does not cover damage caused by improper use or abuse, improper maintenance or repair, normal wear and tear, or stale or unapproved fuel.

**Improper Use and Abuse** - The proper, intended use of this product is described in the Operator's Manual. Using the product in a way not described in the Operator's Manual or using the product after it has been damaged will void your warranty. Warranty is not allowed if the serial number on the product has been removed or the product has been altered or modified in any way, or if the product has evidence of abuse such as impact damage, or water/chemical corrosion damage.

**Improper Maintenance or Repair** - This product must be maintained according to the procedures and schedules provided in the Operator's Manual, and serviced or repaired using genuine Briggs & Stratton parts. Damage caused by lack of maintenance or use of non-original parts is not covered by warranty.

**Normal Wear** - Like all mechanical devices, your unit is subject to wear even when properly maintained. This warranty does not cover repairs when normal use has exhausted the life of a part or the equipment. Maintenance and wear items such as filters, belts, cutting blades, and brake pads (engine brake pads are covered) are not covered by warranty due to wear characteristics alone, unless the cause is due to defects in material or workmanship.

**Stale Fuel** - In order to function correctly, this product requires fresh fuel that conforms to the criteria specified in the Operator's Manual. Damage caused by stale fuel (carburetor leaks, clogged fuel tubes, sticking valves, etc) is not covered by warranty.

\* Applies to Briggs and Stratton engines only. Warranty coverage of non-Briggs and Stratton engines is provided by the engine manufacturer.

Not for  
Reproduction