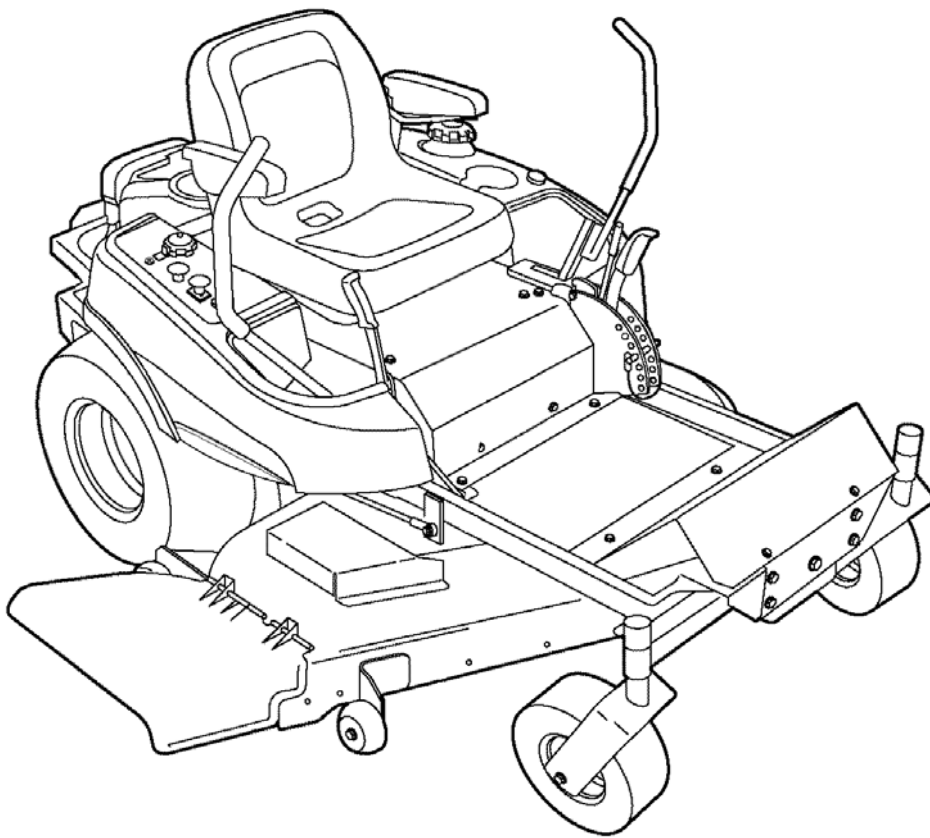


Parts Manual for

SNAPPER®

26HP HYDRO DRIVE MID-MOUNT ZTR DLR 355Z

MODEL
355ZB2654 DLR (5900768)



Briggs & Stratton Yard Power Products Group

535 Macon Road
McDonough, GA, 30253 U.S.A.
800-935-2967

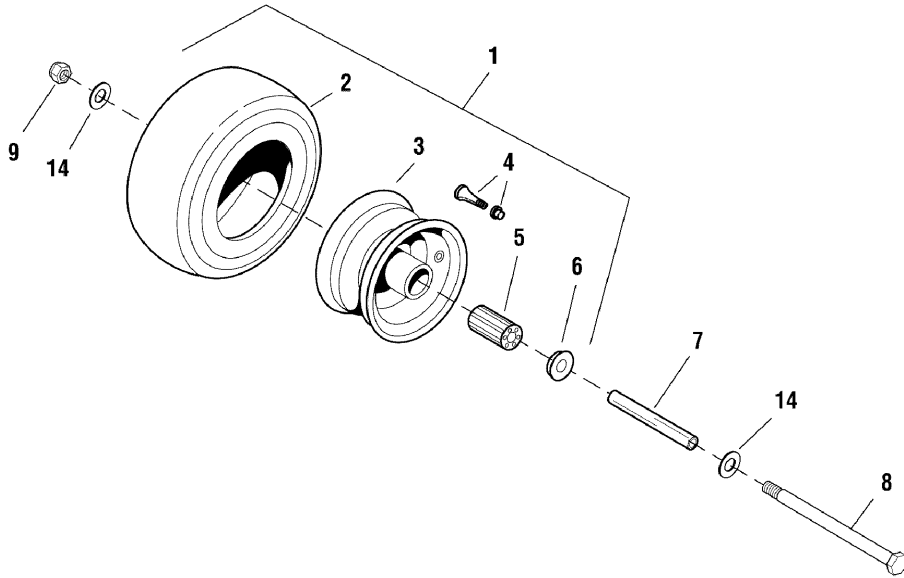
Revision A, 7/3/2008

Manual No. 5101613

TP 400-5404-A-HZ-N

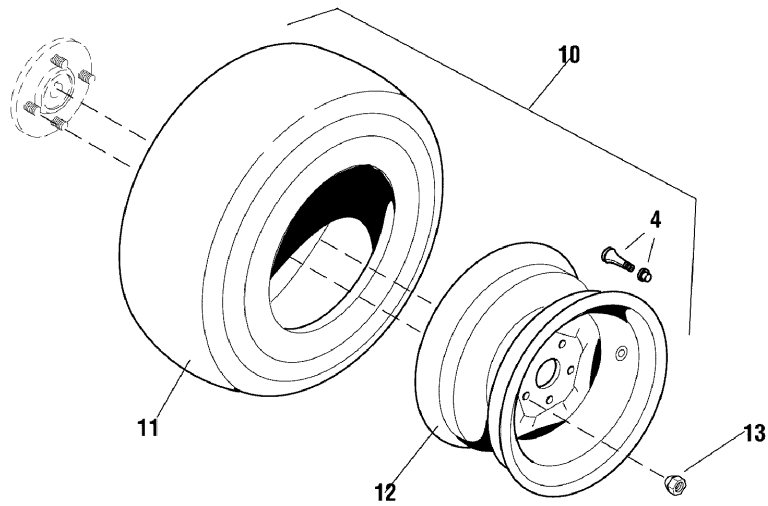
PAGE	GROUP
4	Wheel & Tire Group
6	Main Frame & Front Suspension
8	Seat Mount & Floor Group
10	Fuel Tank & Mount Group
12	Engine & PTO Group
14	Motion Control Group
18	Parking Brake Group
20	Pump Drive Group
22	Hydraulic Group
24	Transmission Service Parts
26	Rear Bumper Group
28	Decals - Brand & Model
30	Decals - Safety & Operation
32	Deck Lift Group
36	54" Mower Deck - Pulleys, Belt & Idler Arm
38	54" Mower Deck - Housing, Cover & Spindles
42	54" Mower Deck - Rollers & Casters
44	Instrument & Control Panel
46	Electrical Group
48	Wiring Schematics - 26HP Briggs & Stratton

Front Wheels & Tires



Inflate to 25 PSI (1,72 bar)

Rear Wheels & Tires

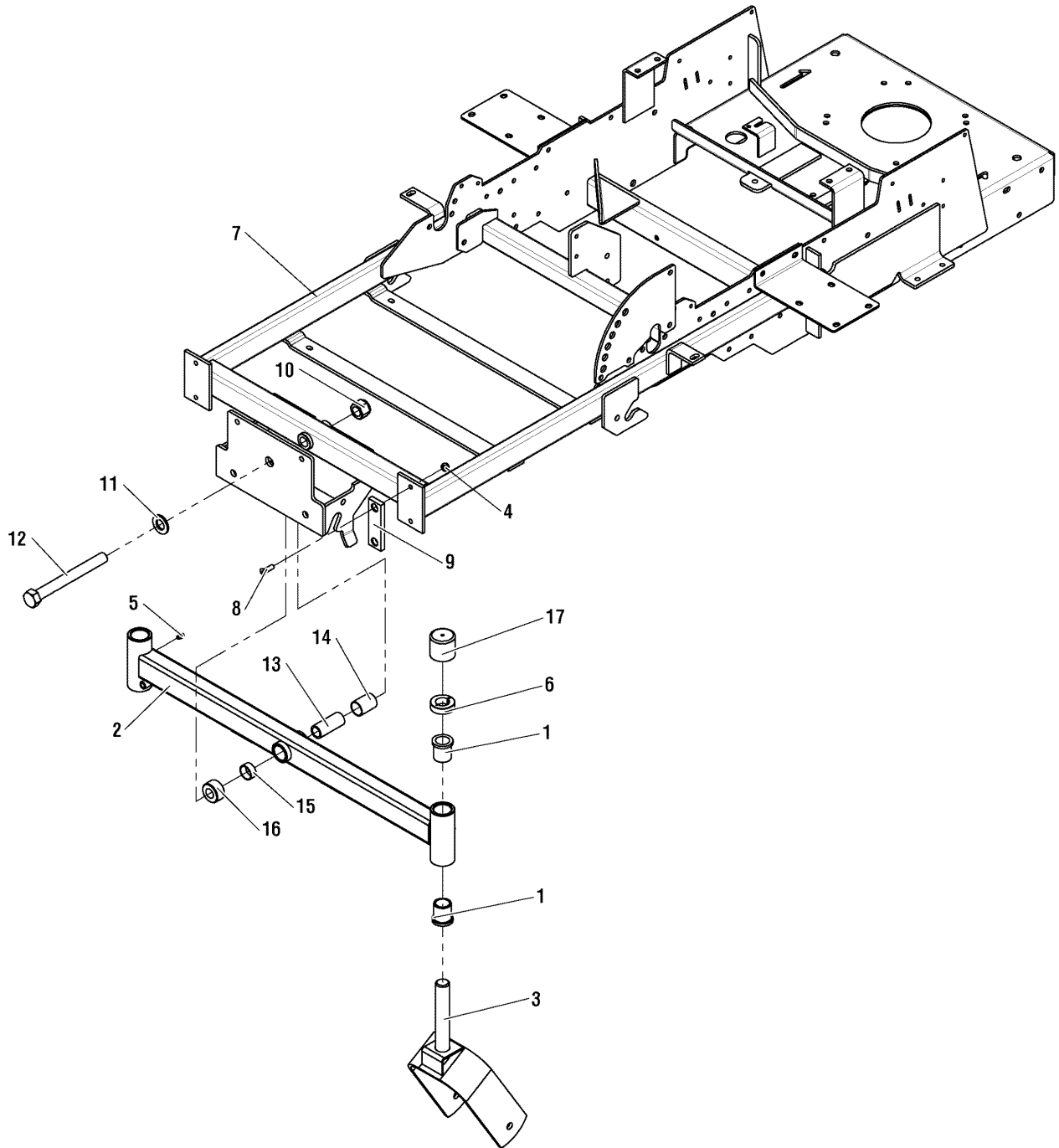


Inflate to 15 PSI (1,03 bar)

Wheel & Tire Group

Item	Part No	Qty	Description	Note
1	5101418	2	WHEEL, CASTER, 11 X 4.0-5 SILVER BEAD LO	(INCLUDES REF NO. 2 - 6)
2	5022433X1	2	TIRE, Front, 11 X 4.0 - 5 (SV)	
3	-	2	WHEEL ASSEMBLY, Complete (SV)	(INCLUDES REF NO. 4 & 5)
4	2172353	4	VALVE STEM & CAP ASSEMBLY (SV)	
5	5022579	4	BEARING, Roller	(2 PER TIRE)
6	5021043	4	BEARING, Retainer	(2 PER TIRE)
7	5045996	2	CASTER AXLE DDSH	
8	5025017X52	2	BOLT, 1/2-13 X 6-1/2 GD8 YZ	
9	5025056	2	NUT, 1/2-13 HEX NYLON LOCK	
10	5023095	2	WHEEL+TIRE ASMY REAR 20/8.00-10	(INCLUDES REF NO. 4, 11 & 12)
11	5023095X1	2	TIRE, Rear 20 X 8.0 X 10 (SV)	
12	5023095X2	2	WHEEL ASSEMBLY, For 20 X 8.0 X 10 Tire (SV)	
13	5020601	8	NUT, 1/2-20, FOR WHEEL BOLT SILVER	
14	5025158	4	WASHER, 1/2 SAE	

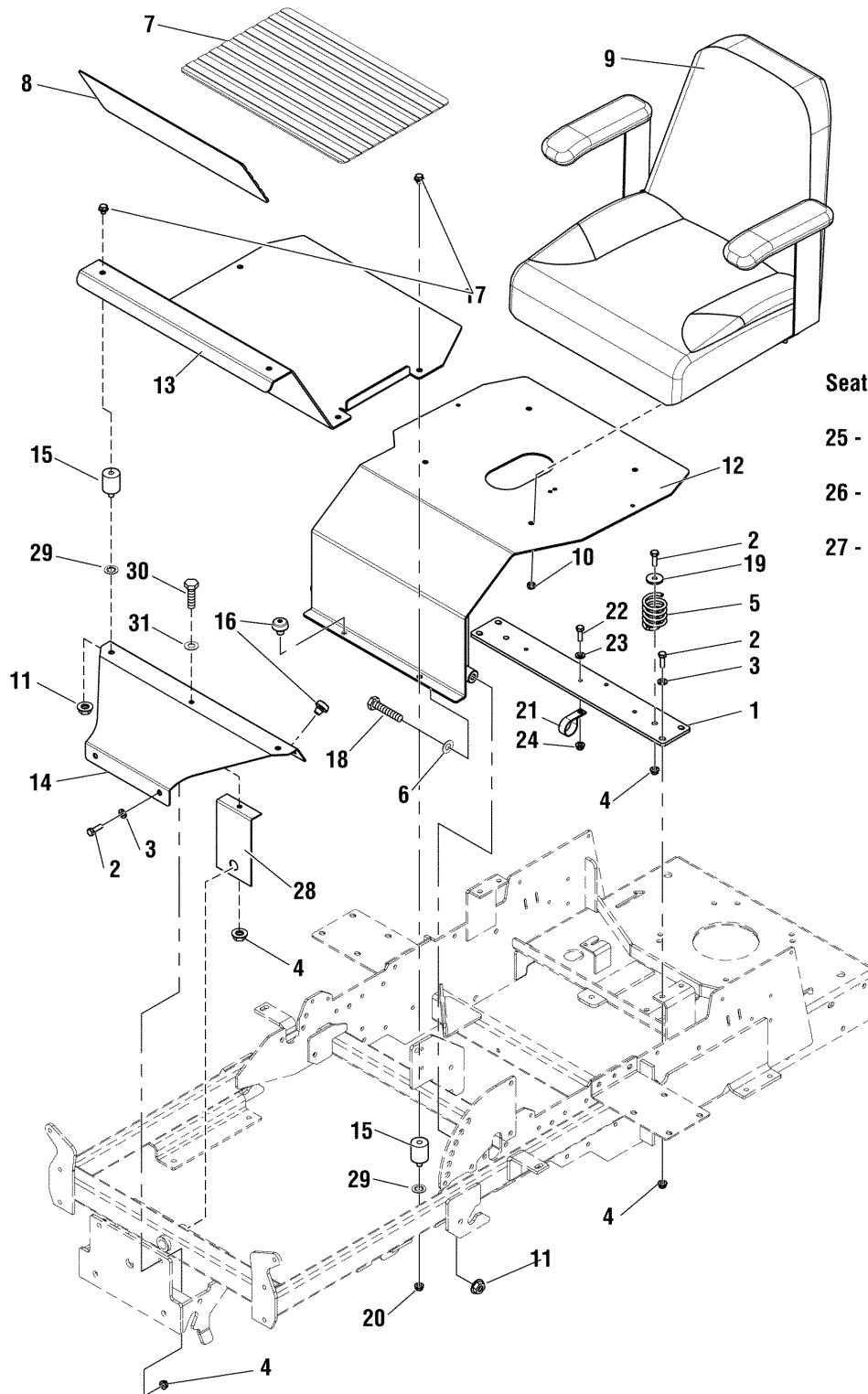
Footnotes:



Main Frame & Front Suspension

Item	Part No	Qty	Description	Note
1	5021541	4	BUSHING, FLANGE	
2	5400405D	1	WELD, PIVOTING FRONT END	
3	5048775D	2	WELD, CASTER YOKE	
4	5025057	4	NUT, 5/16-18 HEX NYLON LOCK	
5	5020095	2	GREASE FITTING, 1/4-28 STRAIGHT	
6	5020602	2	COLLAR, 1" SPLIT	
7	5402896D	1	WELD, MAINFRAME, SNAPPER ZT - RED	
8	5025303	4	SCREW, 5/16-18 X 1 FLAT HD SC	
9	5100930	2	PAD, FRICTION, .375 X 1.25 X 4.00	
10	5025284	1	NUT, 3/4-16 HEX NYLON LOCK	
11	5025160	1	WASHER, 3/4 SAE	
12	5025265X56	1	BOLT, 3/4-16 X 7" YZ GD5	
13	5047489	1	SPACER, .75 X 1.00 X 2.38	
14	5022852	1	PIVOT BEARING, 1.00" X 1.125" OD X 1.50"	
15	5100358	1	PIVOT BEARING, 1.00 X 1.125 OD X .50	
16	5400756	1	SPACER, .76X 1.50 X .79	
17	5023214	2	CAP, VINYL 1.687 X 1-1/2	

Footnotes:



Seat Replacement Parts

25 - "Arm Rest (Set of Two)"

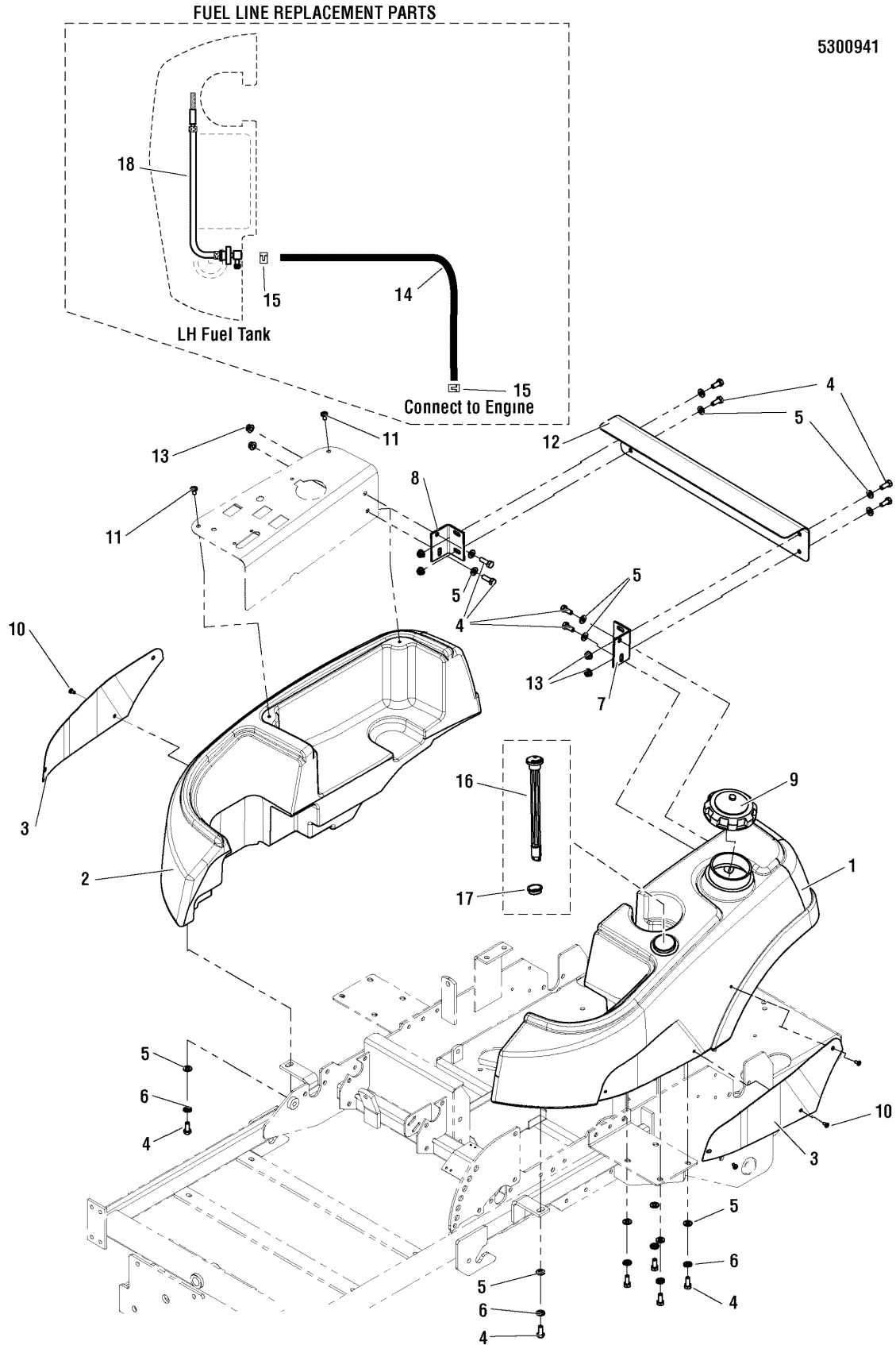
26 - "Spring, Seat Adjustment"

27 - "Kit, Seat Rails, Complete"

Seat Mount & Floor Group

Item	Part No	Qty	Description	Note
1	5402937D	1	PLATE, SEAT SUPPORT, CONS Z - RED	
2	5025011X8	8	BOLT, 5/16-18 X 1 GD5 YZ	
3	5025292	6	WASHER, 5/16 GD.9 FLAT	
4	5025392	7	NUT, 5/16-18 HEX NYLOCK FLANGE	
5	7078299	2	SPRING, SEAT SUPPORT	
6	5025156	2	WASHER, 3/8 SAE	
7	5100999	1	SAFETY WALK, FLOOR PLATE, 17.13 X 11.50	
8	5101007	1	SAFETY WALK, FLOOR REST, 17.13 X 6.00	
9	5061599	1	SEAT, XB-180, NO LOGO, BLACK	
10	5025057	4	NUT, 5/16-18 HEX NYLON LOCK	
11	5025394	4	NUT, 3/8-16 HEX NYLOCK FLANGE	
12	5402946D	1	WELD, SEAT PLATE - RED	
13	5403893D	1	PLATE, FLOOR, SNAPPER ZTR - RED	
14	5403044D	1	PLATE, FLOOR, FRONT, CONS Z - RED	
15	35097	6	MNT, VBRTN, 30 DURO	
16	197546	4	MNT, VBRTN, RBBR	
17	5025481	6	BOLT, 3/8-16 X 5/8, SERRATED UNDER HEAD	
18	5025013X28	2	BOLT, 3/8-16 X 3-1/2 GD5 YZ	
19	5044617	2	WASHER, .34 X 1.25 X 10 GA	
20	5025128	4	NUT, 3/8-16 HEX SERRATED FLANGE	
21	5021500	1	CLAMP, VINYL INSULATED	
22	5025010X6	1	BOLT, 1/4-20 X 3/4 GD5 YZ	
23	5025154	1	WASHER, 1/4 SAE	
24	5025391	1	NUT, 1/4-20 HEX NYLOCK FLANGE	
25	1686907	1	ARM REST, SET OF TWO (SV)	
26	5100636	1	SPRING, SEAT ADJUSTMENT (SV)	
27	5061599X1	1	KIT, SEAT RAILS. COMPLETE (SV)	
28	5403372D	1	PLATE, SUPPORT, FRONT FLOOR - RED	
29	5025480	6	WASHER, 3/8" ID, INTERNAL TOOTH	
30	5025011X6	1	BOLT, 5/16-18 X 3/4 GD5	
31	5025155	1	WASHER, 5/16 SAE	

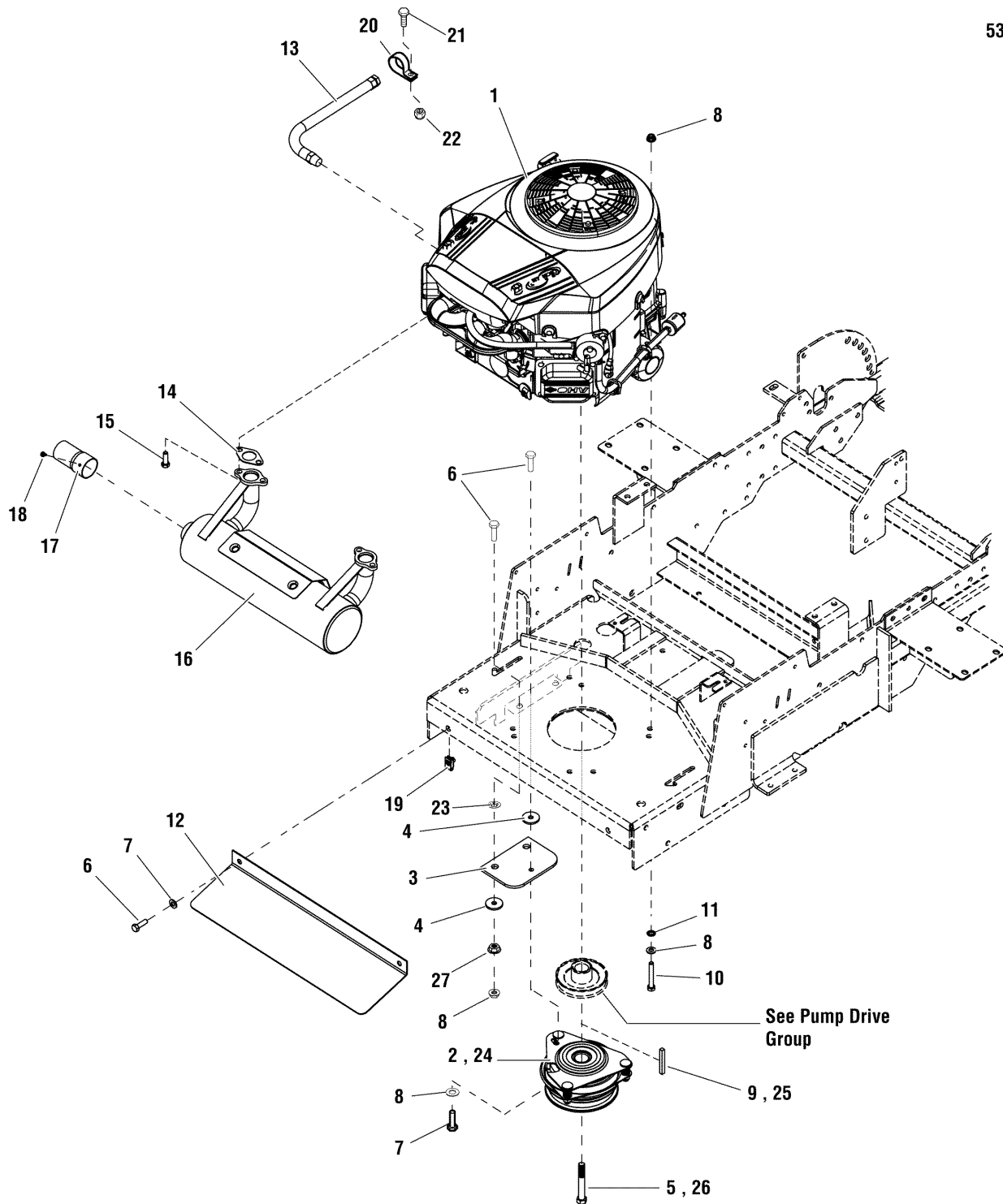
Footnotes:



Fuel Tank & Mount Group

Item	Part No	Qty	Description	Note
1	5101181	1	TANK, FUEL, LH	(INCLUDES REF. NOS. 16 - 18)
2	5048752	1	TANK, FUEL, RH	
3	5048909D	2	PLATE, FUEL TANK BADGE	
4	5025011X6	18	BOLT, 5/16-18 X 3/4 GD5	
5	5025155	18	WASHER, 5/16 SAE	
6	5025170	10	WASHER, 5/16 LOCK YZ	
7	5400836D	1	BRACKET, REAR SUPPORT - LH - RED	
8	5048763D	1	BRACKET, REAR SUPPORT - RH	
9	5101272	1	FUEL CAP, 3.5", VENTED	
10	5025386	6	SCREW, #10-24 X 3/8 ALLEN BHBZ	
11	5025299X4	2	SCREW, 1/4-20 X 1/2 ALLEN BH	
12	5403004D	1	PLATE, SUPPORT, REAR TANK - SNP RED	
13	5025392	4	NUT, 5/16-18 HEX NYLOCK FLANGE	
14	5050831X28	1	HOSE, 1/4 FUEL 28" LONG	
15	5020835	2	CLAMP, HOSE, EXTERNAL, 1/2 - RED	
16	5023197	1	FUEL GAUGE (SV)	
17	5022917X1	1	GROMMET (SV)	
18	5101190	1	PICK UP TUBE ASSM, FUEL TANK (SV)	

Footnotes:

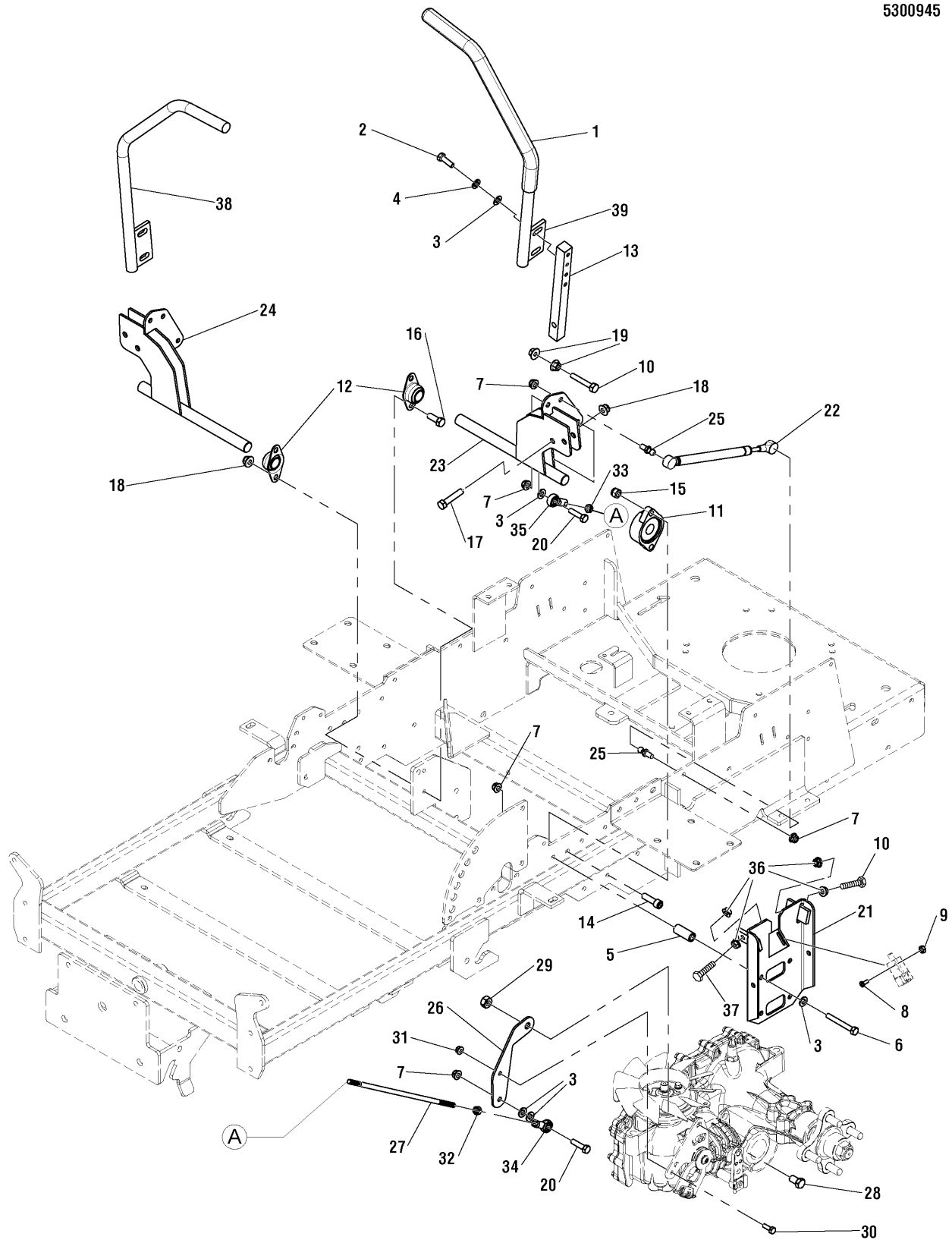


Engine & PTO Group

Item	Part No	Qty	Description	Note
1	-	1	* ENGINE, 26HP ELS BRIGGS, Mod. 44P777-0133-G1	
2	7075672	1	CLUTCH, ELECTRIC, OGURA GT2.5, NZM	
3	5043636	1	CLUTCH ANCHOR PAD	
4	5044617	3	WASHER, .34 X 1.25 X 10 GA	
5	5047632	1	BOLT, CRANKSHAFT, 7/16X2-3/4, PATCH YZ	
6	5025011X8	5	BOLT, 5/16-18 X 1 GD5 YZ	
7	5025155	6	WASHER, 5/16 SAE	
8	5025392	9	NUT, 5/16-18 HEX NYLOCK FLANGE	
9	5050407X24	1	KEY, 1/4" SQ. X 3.00	
10	5025011X18	4	BOLT, 5/16-18 X 2-1/4" GD5 YZ	
11	5025188	4	WASHER, 5/16" INT. TOOTH LOCK	
12	5403059D	1	PLATE, HEAT SHIELD - RED	
13	5048681	1	HOSE, OIL DRAIN	
14	273485	2	GASKET, EXHAUST	
15	690341	4	SCREW-HEX SEMS LOCK WSHR 5/16-18X0.875	
16	5100907	1	MUFFLER, B&S-ELS 22-26HP	
17	5100969	1	EXTENSION, TAILPIPE, 3"	
18	5021808X8	2	SCREW	
19	5022308	2	BODY CLIP, 5/16-18 X 1/2 DEEP	
20	5021500	1	CLAMP, VINYL INSULATED	
21	5025010X6	1	BOLT, 1/4-20 X 3/4 GD5 YZ	
22	5025391	1	NUT, 1/4-20 HEX NYLON FLANGE	
23	5025498	2	5/16" PUSH-ON NUT RETAINER, STL, CZ	
24	5101529	1	CLUTCH, WARNER ELECTRIC, I-5219-104	
25	5050407X8	1	KEY, 1/4 SQ. X 1.00	
26	5025055X16	1	BOLT, 5/16-18 X 2 GD5 TFL	
27	5025139	1	NUT, 5/16-18 HEX SERRATED FLANGE (LARGE)	

Footnotes:

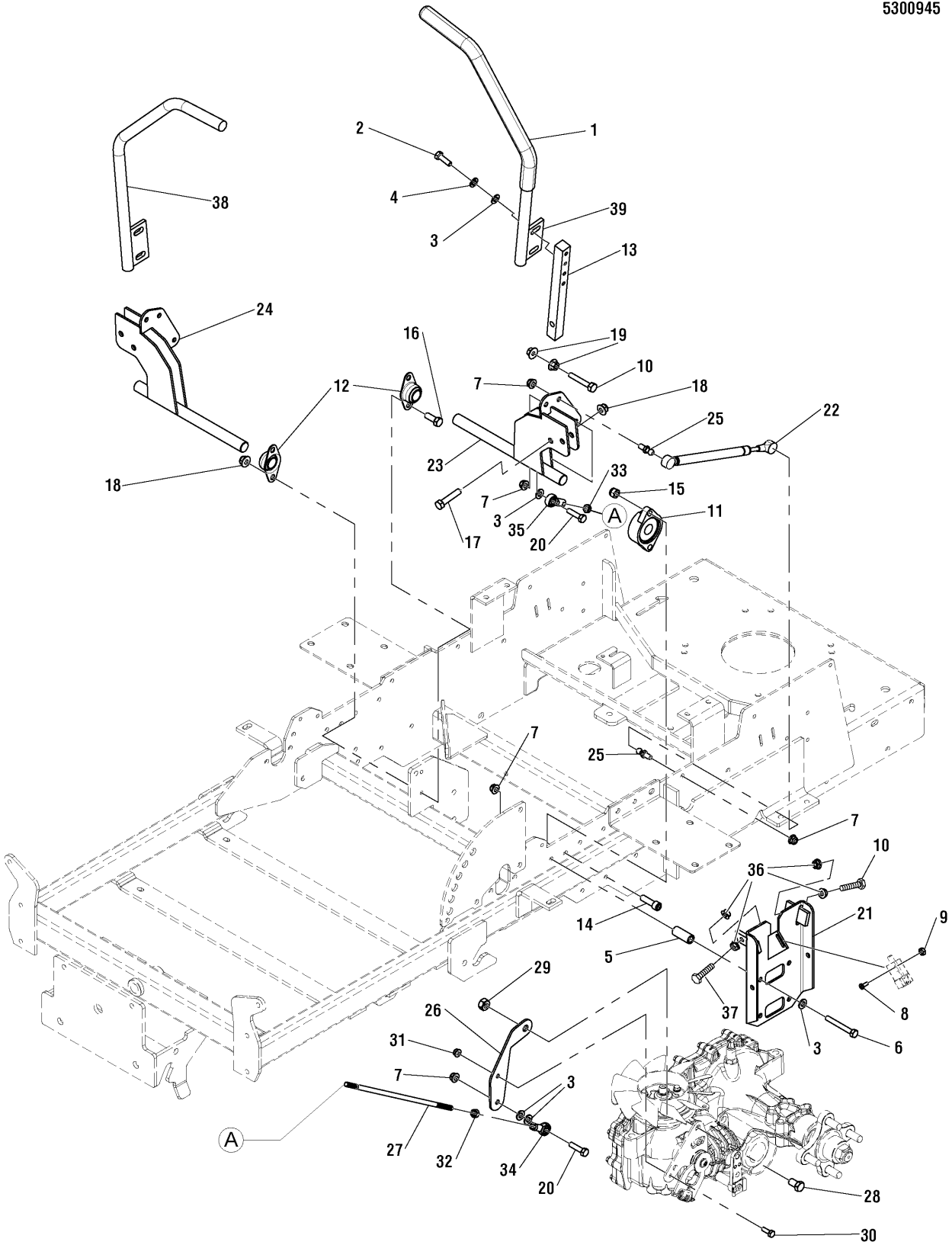
NOTE* Purchase engine parts from engine manufacturer dealer.



Motion Control Group

Item	Part No	Qty	Description	Note
1	5022068	2	GRIP, FOAM, 3/4 ID, 16 LONG	1
2	5025011X8	4	BOLT, 5/16-18 X 1 GD5 YZ	1
3	5025155	18	WASHER, 5/16 SAE	1
4	5025170	4	WASHER, 5/16 LOCK YZ	1
5	5048264	8	SPACER, .39 X .63 X 1.50	1
6	5025011X20	8	BOLT, 5/16-18 X 2-1/2" GD5 YZ	1
7	5025392	16	NUT, 5/16-18 HEX NYLOCK FLANGE	1
8	5025179X4	4	SCREW, #10-24 X 1/2 ROUND PHILLIPS	1
9	5025029	4	NUT, #10-24 HEX	1
10	5025055X16	4	BOLT, 5/16-18 X 2 GD5 TFL	1
11	5021499	2	BEARING, FLANGE	1
12	5021098	2	BEARING, BRONZE FLANGE, 3/4	1
13	5047004	2	MOUNT, CONTROL ARM	1
14	5025327	4	BOLT, 3/8-16 X 1-1/4 SHCS	1
15	5025096	4	NUT, 3/8-16 HEX NYLON LOCK	1
16	5025013X8	2	BOLT, 3/8-16 X 1 GD5 YZ	1
17	5025013X14	4	BOLT, 3/8-16 X 1-3/4 GD5	1
18	5025394	6	NUT, 3/8-16 HEX NYLOCK FLANGE	1
19	5025139	4	NUT, 5/16-18 HEX SERRATED FLANGE (LARGE)	1
20	5025011X10	4	BOLT, 5/16-18 X 1-1/4 GD5 YZ	1
21	5402852D	2	WELD, PLATE, NEUTRAL - RED	1
22	5100940	2	DAMPENER, CONTROL,#(P6709/P3610)	1
23	5402851D	1	WELD, CONTROL SHAFT, LH - RED	1
24	5402850D	1	WELD, CONTROL SHAFT, RH - RED	1
25	5100941	4	BALL STUD, 5/16 X .50,# PC-477-2)	1
26	5402872D	2	PLATE, CONTROL LINK, TRANSAXLE - RED	1
27	5101057	2	ROD, HYDRO LINKAGE - CONZ - YZ	1
28	5025015X6	2	BOLT, 7/16-14 X 3/4, GD 5 YZ	1
29	5025044	2	NUT, 7/16-14 HEX TOP LOCK	1
30	5025010X6	2	BOLT, 1/4-20 X 3/4 GD5 YZ	1
31	5025391	2	NUT, 1/4-20 HEX NYLOCK FLANGE	1
32	5023212	2	NUT, 5/16-24 HEX, LH	1
33	5023216	2	NUT, 5/16-24 JAM	1
34	5022628	2	BALL JOINT, 5/16-24, LH FEMALE	1
35	5021146	2	BALL JOINT, 5/16-24, FEMALE	1
36	5025127	8	NUT, 5/16-18 HEX SERRATED FLANGE (SMALL)	1
37	5025055X12	2	BOLT, 5/16-18 X 1-1/2" GD5 TFL	1

Footnotes:



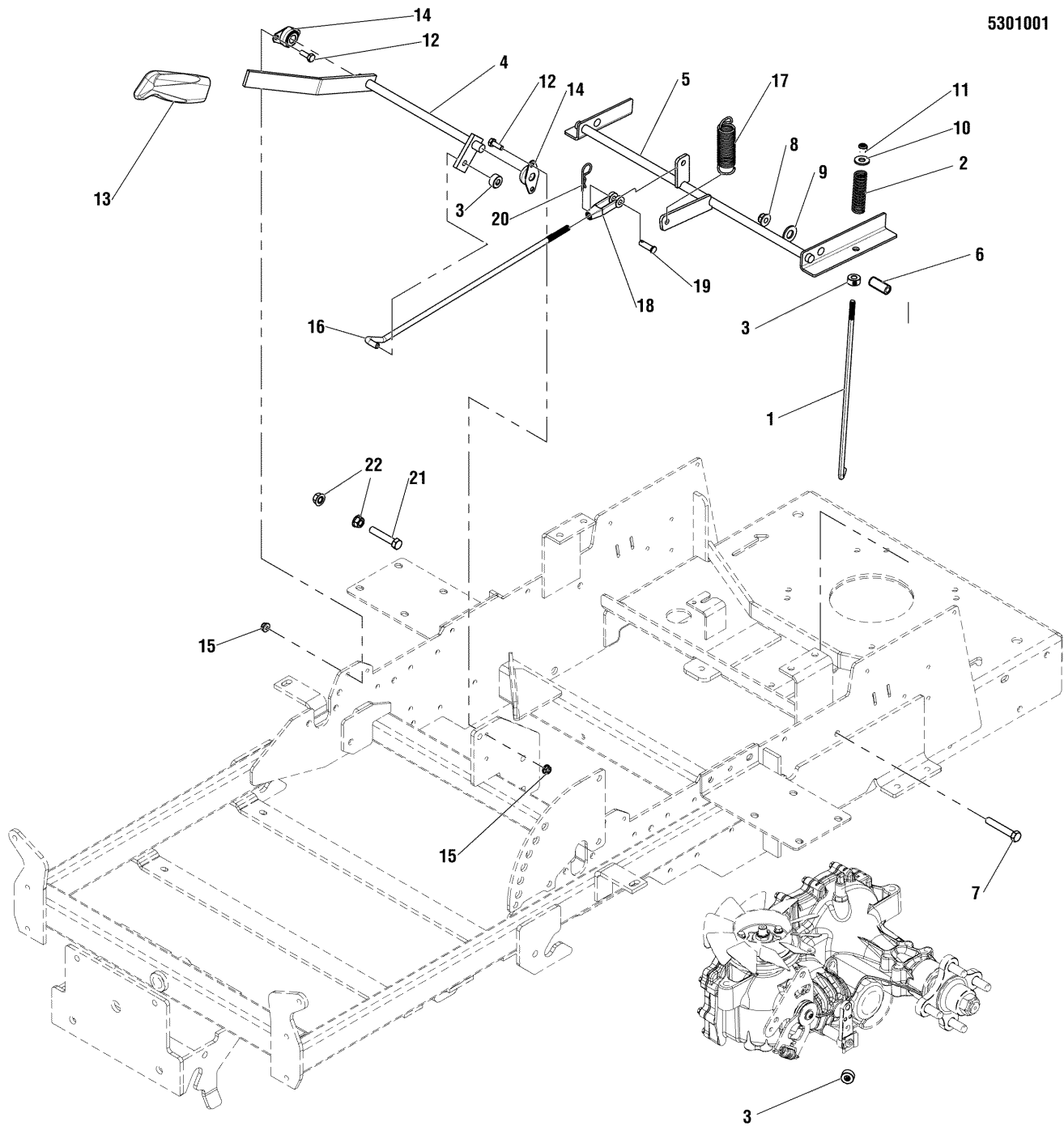
Motion Control Group

Item	Part No	Qty	Description	Note
38	5047055D	1	WELD, HANDLE MOTION CONTROL-LH	1
39	5047056D	1	WELD, HANDLE MOTION CONTROL-RH	1

Footnotes:

Parking Brake Group

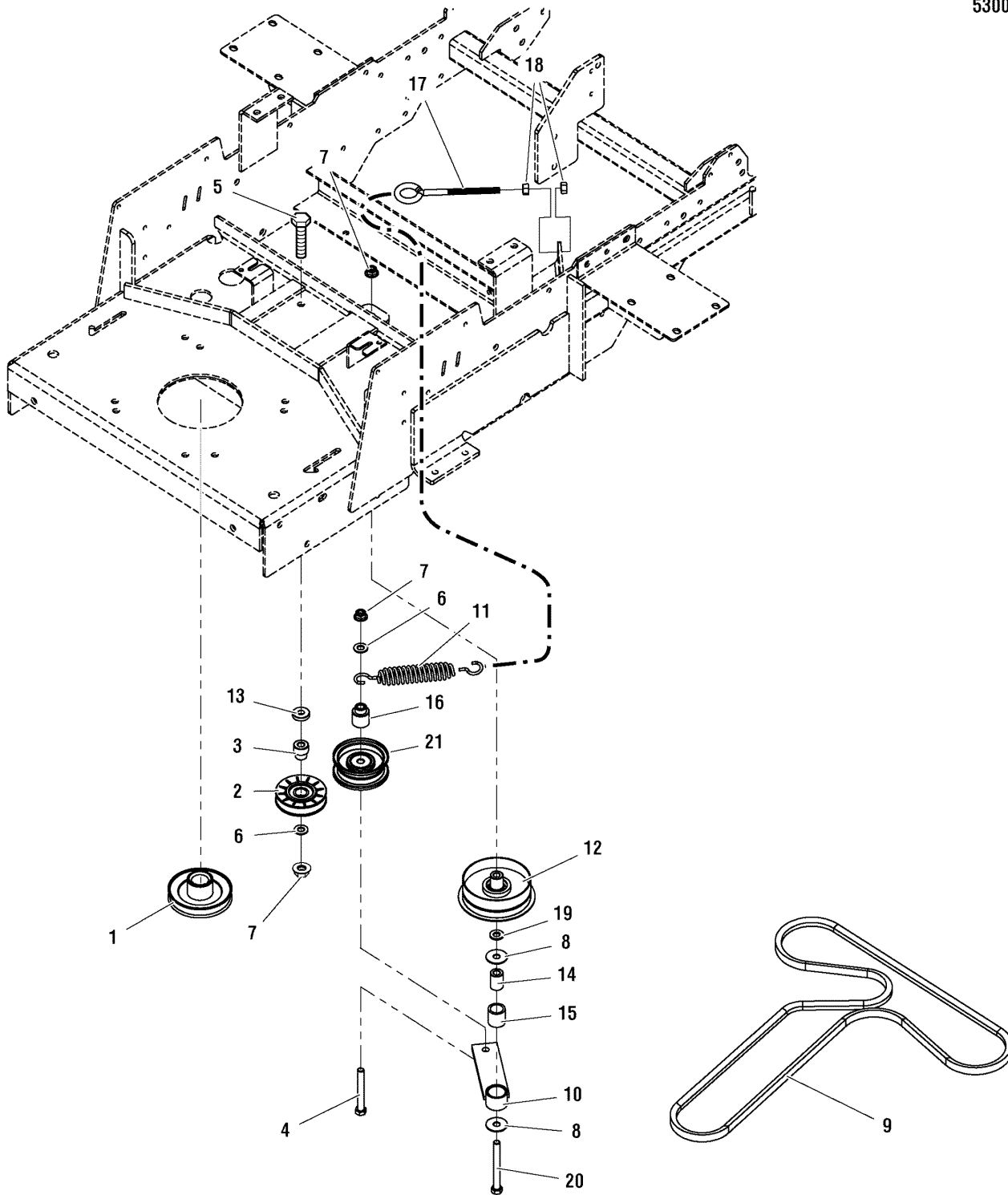
5301001



Parking Brake Group

Item	Part No	Qty	Description	Note
1	5101058	2	ROD, BRAKE CTRL, LOWER - CONZ	
2	5021102	2	SPRING, COMPRESSION	
3	5020047	5	COLLAR, 5/16" SET	
4	5402883D	1	WELD, SHAFT, BRAKE HANDLE - RED	
5	5402884D	1	WELD, BRAKE SHAFT - RED	
6	5044992	2	SPACER, .38 X .50 X 1.56	
7	5025013X18	2	BOLT, 3/8-16 X 2-1/4 GD5 YZ	
8	5025394	2	NUT, 3/8-16 HEX NYLOCK FLANGE	
9	5025158	2	WASHER, 1/2 SAE	
10	5025337	2	WASHER, 5/16 USS	
11	5025045	2	NUT, 5/16-24 HEX NYLON LOCK	
12	5025010X6	4	BOLT, 1/4-20 X 3/4 GD5 YZ	
13	5100171	1	GRIP, BLACK FLEXIBLE	
14	5101123	2	BEARING, 1/2" FLANGED	
15	5025391	4	NUT, 1/4-20 HEX NYLOCK FLANGE	
16	5101116	1	ROD, PULLER ROD	
17	1608395	1	SPRING-EXTN 1.040ODX 04.000LG .105WIRE D	
18	5023323	1	CLEVIS, 5/16-24, STEEL	
19	5025213X8	1	PIN, CLEVIS, 5/16 X 1 YZ	
20	5025210	1	PIN, HAIR, .0915 X 1-7/8	
21	5025013X16	1	BOLT, 3/8-16 X 2 GD5 YZ	
22	5025128	2	NUT, 3/8-16 HEX SERRATED FLANGE	

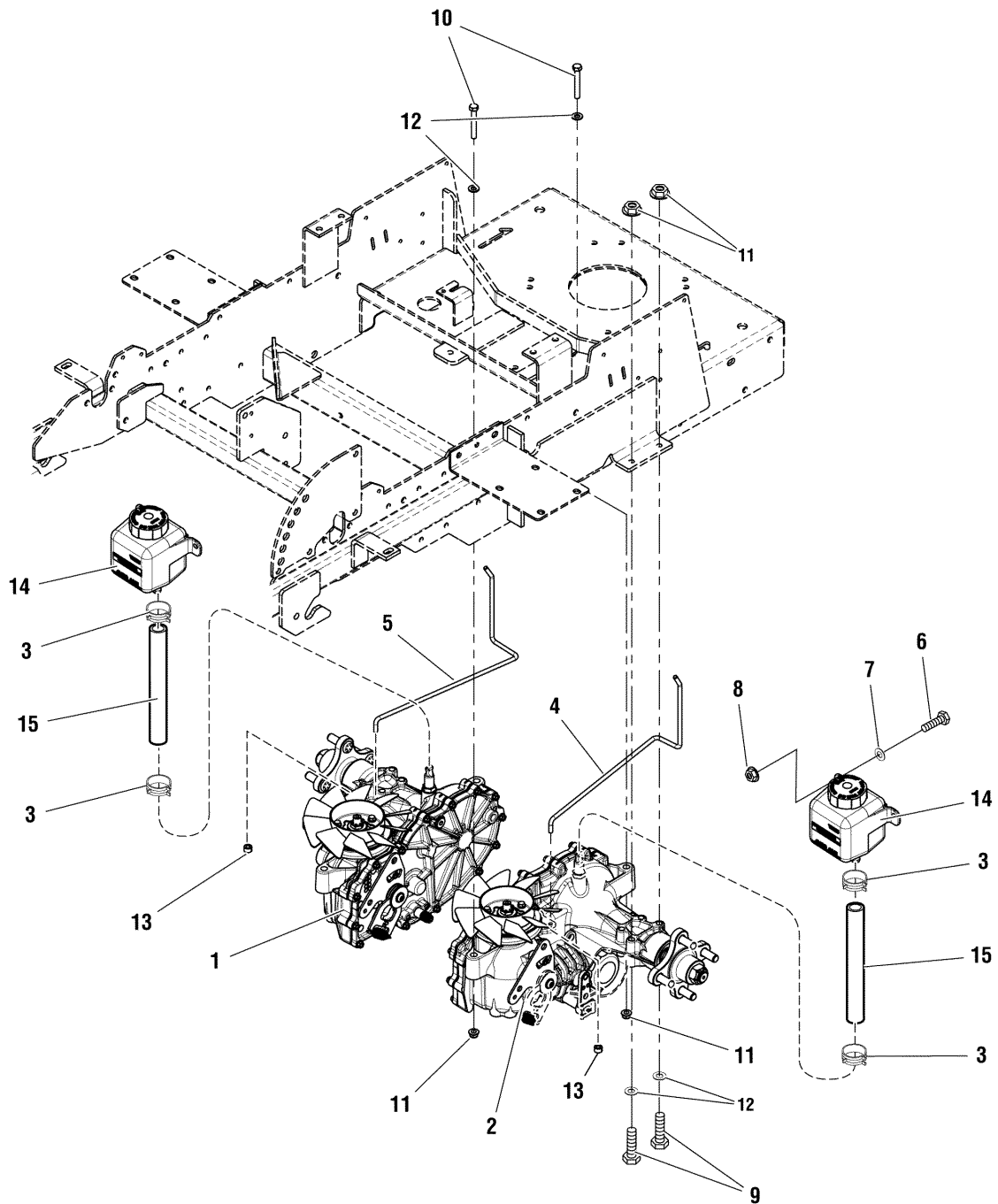
Footnotes:



Pump Drive Group

Item	Part No	Qty	Description	Note
1	5101296	1	PULLEY, CRANKSHAFT	
2	5021079	1	IDLER PULLEY	
3	5049184	1	SPACER, HYDRO PULLEY	
4	5025013X24	1	BOLT, 3/8-16 X 3 GD5 YZ	
5	5025013X16	1	BOLT, 3/8-16 X 2 GD5 YZ	
6	5025156	2	WASHER, 3/8 SAE	
7	5025394	3	NUT, 3/8-16 HEX NYLOCK FLANGE	
8	5025165	2	WASHER, 3/8 FENDER	
9	5101033	1	BELT, 79.46 EL, HYDRO DRIVE 7-9584	
10	5402847D	1	WELD, IDLER, PUMP DRIVE - RED	
11	5022847	1	SPRING, EXTENSION, SWIVEL END	
12	5101080	1	PULLEY, IDLER, SINGLE FLANGE, 4" OD	
13	5044960	1	SPACER, .39 X 1.00 X .25	
14	5042658	1	SPACER, .39 X .75 X 1.06	
15	5020876B	1	BUSHING, BRASS, 3/4 X 1 X 1	
16	5045943	1	SPACER, SHOULDER	
17	5021812	1	EYE BOLT, 3/8-16 X 4-1/4", 1" EYE	
18	5025034	2	NUT, 3/8-16 HEX	
19	5025293	1	WASHER, 3/8 GD.9 FLAT	
20	5025013X28	1	BOLT, 3/8-16 X 3-1/2 GD5 YZ	
21	5101105	1	PULLEY, IDLER, FLAT, 2.75 DIA X .376 ID	

Footnotes:

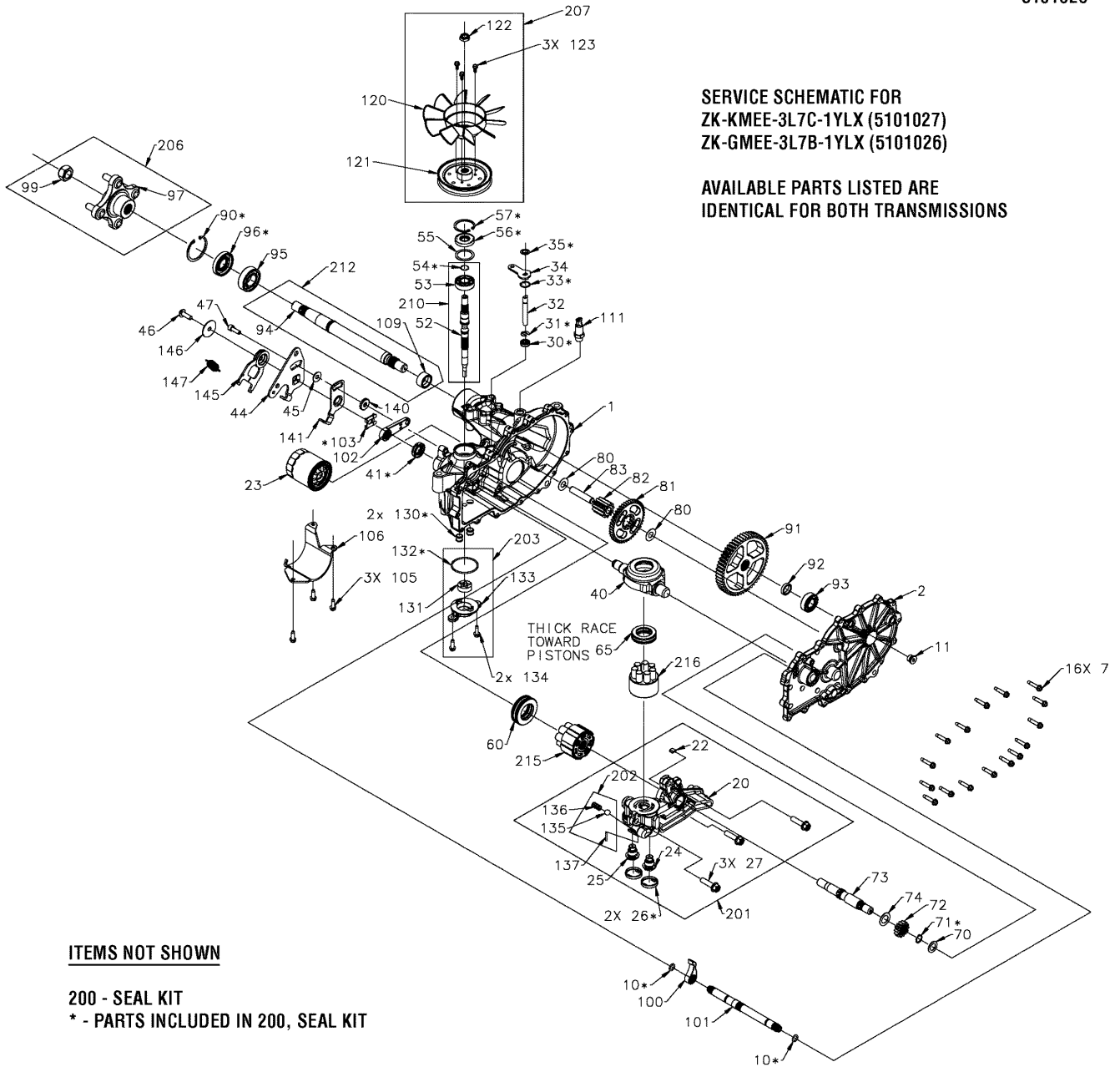


Hydraulic Group

Item	Part No	Qty	Description	Note
1	5101026	1	TRANSMISSION, RH HYDRO-GEAR	
2	5101027	1	TRANSMISSION, LH, HYDRO-GEAR	
3	5025474	4	CLAMP, HOSE, .75 FREE DIA.	
4	5101060	1	ROD, DUMP VALVE, LH - CONZ	
5	5101061	1	ROD, DUMP VALVE, RH - CONZ	
6	5025010X6	2	BOLT, 1/4-20 X 3/4 GD5 YZ	
7	5025154	2	WASHER, 1/4 SAE	
8	5025391	2	NUT, 1/4-20 HEX NYLOCK FLANGE	
9	5025011X24	4	BOLT, 5/16-18 X 3" GD5 YZ	
10	5025011X18	4	BOLT, 5/16-18 X 2-1/4" GD5 YZ	
11	5025392	8	NUT, 5/16-18 HEX NYLOCK FLANGE	
12	5025155	8	WASHER, 5/16 SAE	
13	5020047	2	COLLAR, 5/16" SET	
14	5100473	2	RESERVOIR, HYDRO OIL, 350 ML	
15	5050857X9	2	HOSE, 1/2" PUSH-ON	

Footnotes:

5101026



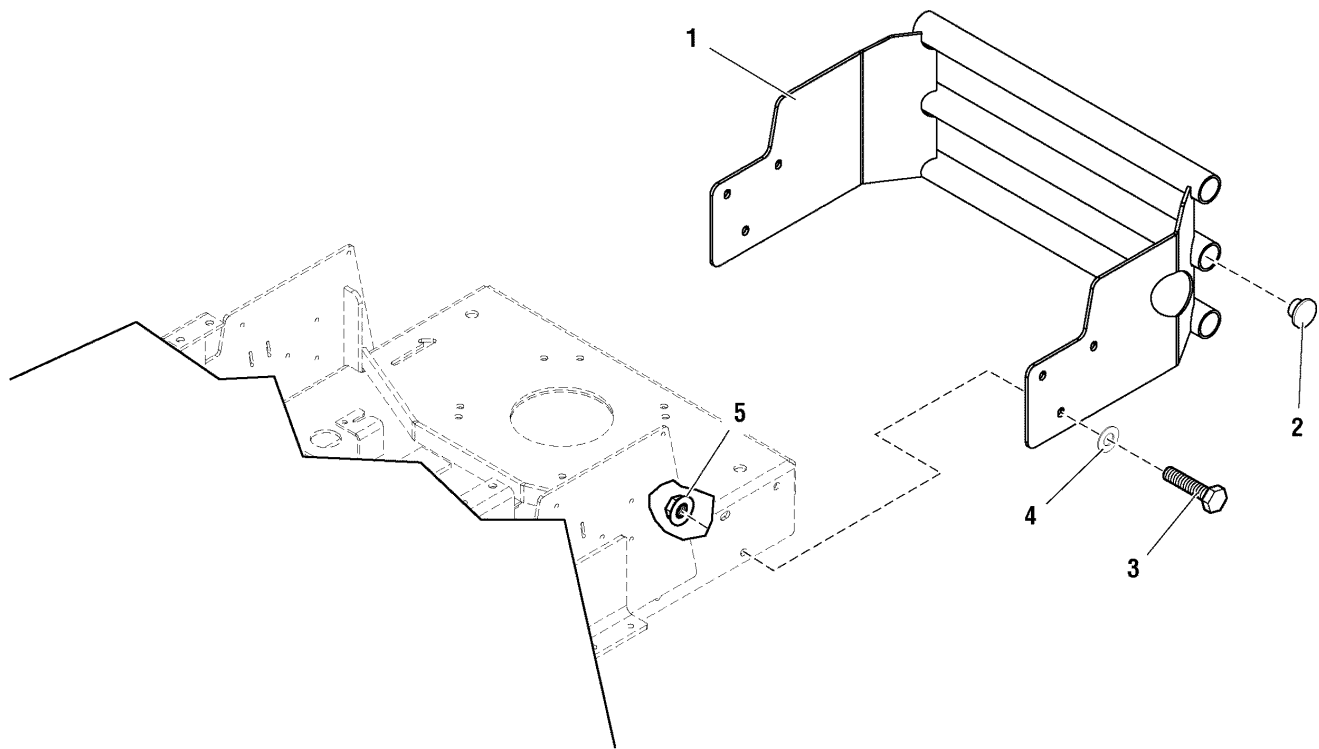
Transmission Service Parts

Item	Part No	Qty	Description	Note
23	5101026X1	1	OIL FILTER	
41	5101026X2	1	SEAL, LIP, 18 X 32 X 7	
56	5101026X3	1	SEAL, LIP, 17 X 40 X 7	
57	5101026X4	1	RING, RET 2.06 INT	
95	5101026X5	1	BEARING, BALL, 1.0 X 52 X 15 OPEN 6205M	
120	5101026X6	1	FAN, 7", 10 BLADE	
121	5101026X7	1	PULLEY, 4.5 INCH	
200	5101026X8	1	KIT SEAL	
210	5101026X9	1	KIT, INPUT SHAFT	

Footnotes:

Rear Bumper Group

5300993

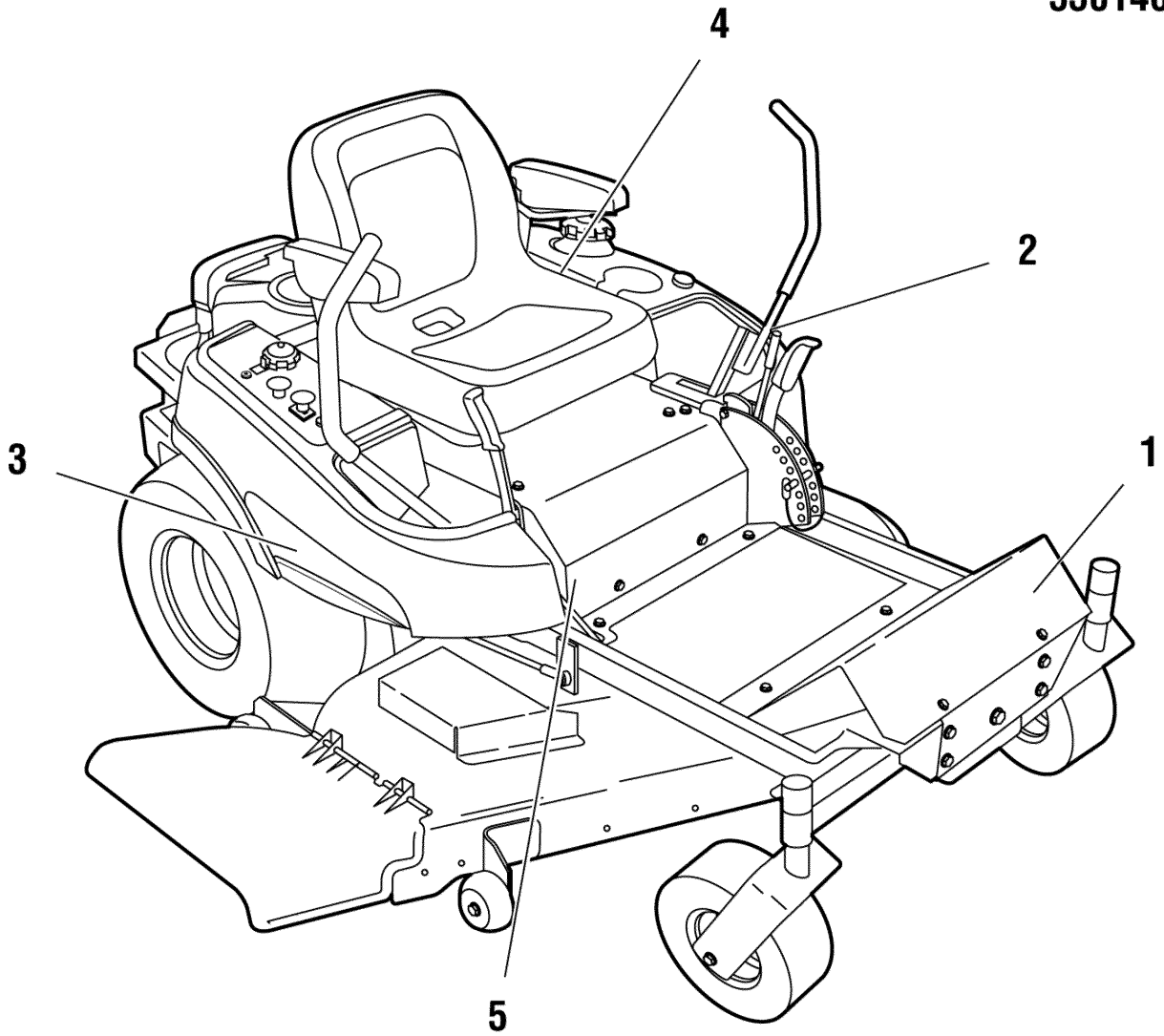


Rear Bumper Group

Item	Part No	Qty	Description	Note
1	5402844D	1	WELD, BUMPER - CONS Z - SNP RED	
2	5023484	6	PLUG, PANEL, 1.25 - BLACK	
3	5025013X8	6	BOLT, 3/8-16 X 1 GD5 YZ	
4	5025156	6	WASHER, 3/8 SAE	
5	5025394	6	NUT, 3/8-16 HEX NYLOCK FLANGE	

Footnotes:

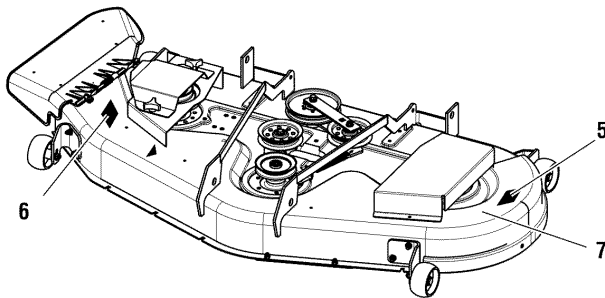
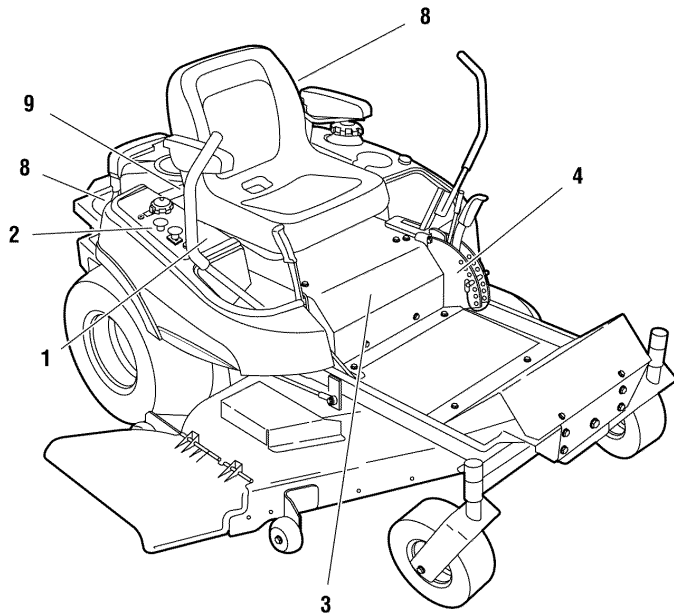
5301462



Decals - Brand & Model

Item	Part No	Qty	Description	Note
1	5101445	1	DECAL, SNAPPER, FRONT	
2	5101443	1	DECAL, LOGO, STRIPE - LH	
3	5101442	1	DECAL, LOGO, STRIPE - RH	
4	1725072	1	DECAL, TOUCH UP PAINT SNAPPER/MASSEY	
5	5101444	1	DECAL, 355Z 26HP MODEL	

Footnotes:



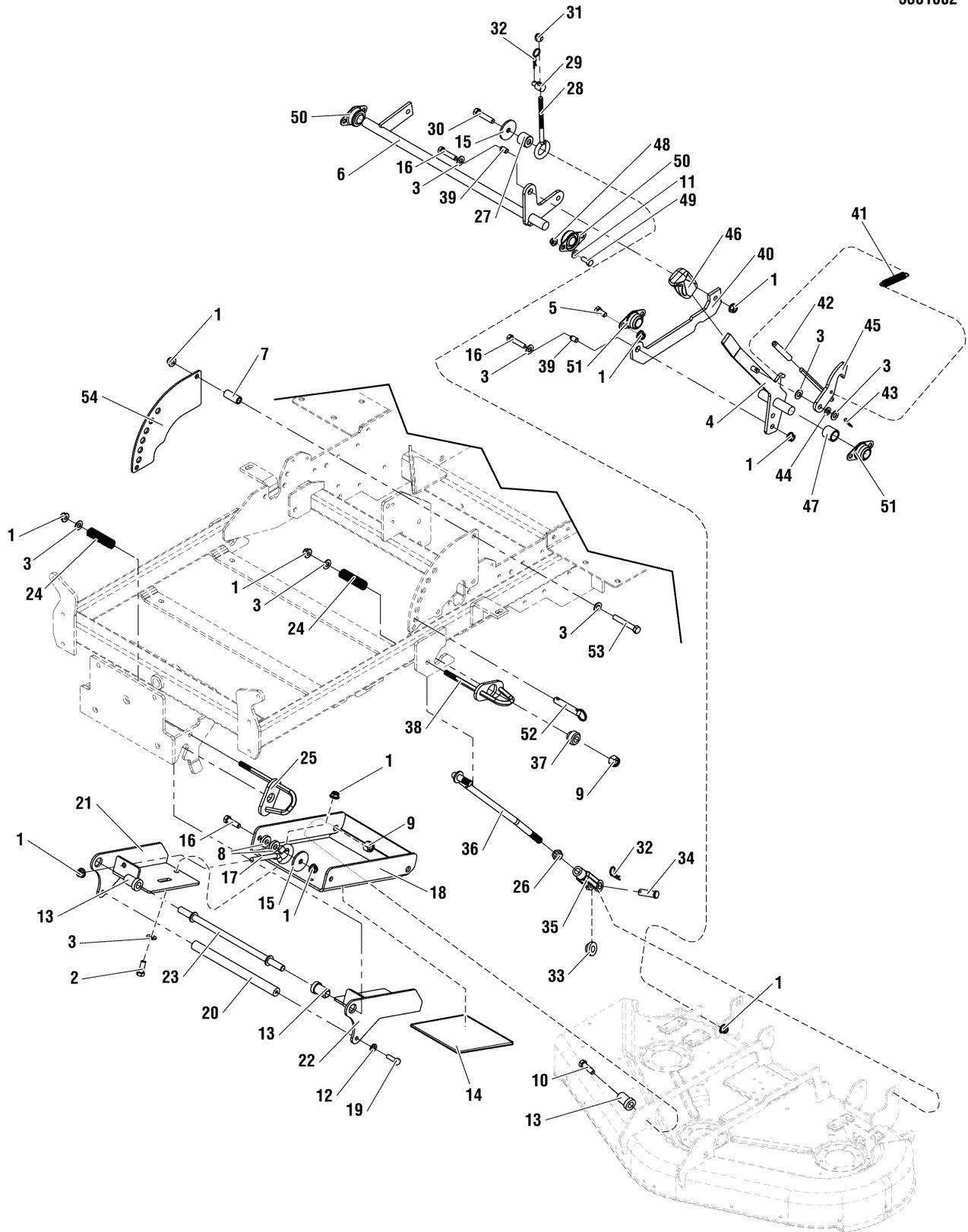
- 1 5301463
- 2
- 3
- 4
- 5
- 6
- 7
- 8
- 9

Belts & Blades	
Tractor	
Pump Drive Belt	5101033
44" Mower	
Deck Drive Belt	5023056
Mower Blade	1704100
52" Mower	
Deck Drive Belt	5023056
Mower Blade	1708229
54" Mower	
Deck Drive Belt	5101400
Center Mower Blade	1726044
Outside Mower Blade	1726043
- 10
- 11

Decals - Safety & Operation

Item	Part No	Qty	Description	Note
1	5100280	1	DECAL, THROTTLE CONTROL	
2	5048970	1	DECAL, IGNITION SWITCH	
3	5100710	1	DECAL, MAIN	
4	1725703	1	DECAL, HEIGHT OF CUT	
5	5100136	1	DECAL, DANGER, MOWER	
6	5100137	1	DECAL, DANGER, MOWER DISCHARGE	
7	5101450	1	DECAL, 54"	
8	5101062	2	DECAL, TRANSAXLE RELEASE	
9	5101420	1	DECAL, BELT & BLADE SNAPPER	
10	5020337	1	DECAL, WARNING	
11	5100957	1	DECAL, HYDRAULIC OIL, SAE 20W50	

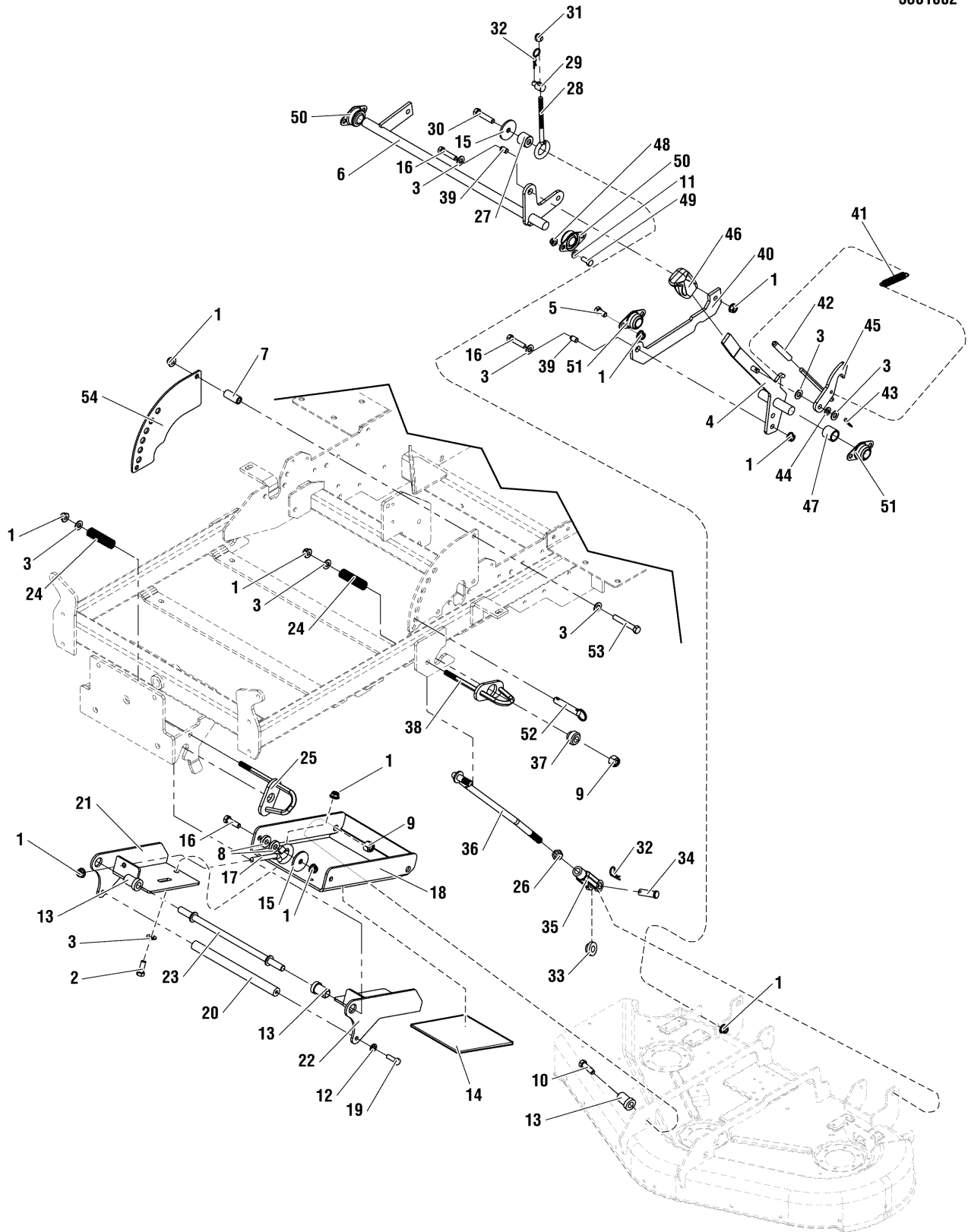
Footnotes:



Deck Lift Group

Item	Part No	Qty	Description	Note
1	5025394	22	NUT, 3/8-16 HEX NYLOCK FLANGE	
2	5025013X8	4	BOLT, 3/8-16 X 1 GD5 YZ	
3	5025156	8	WASHER, 3/8 SAE	
4	5403057D	1	WELD, HANDLE, DECK LIFT - RED	
5	5025013X6	4	BOLT, 3/8-16 X 3/4 GD5 YZ	
6	5403041D	1	WELD, SHAFT, REAR DECK LIFT - RED	
7	5048264	2	SPACER, .39 X .63 X 1.50	
8	5044960	4	SPACER, .39 X 1.00 X .25	
9	5025098	4	NUT, 1/2-20 HEX NYLON LOCK	
10	5025018X20	2	BOLT, 1/2-20 X 2-1/2" GD5 YZ	
11	5025155	4	WASHER, 5/16 SAE	
12	5025170	2	WASHER, 5/16 LOCK YZ	
13	5100144	4	SPACER, .53 X 1.00 X 1.00	
14	5101008	1	SAFETY WALK, 4.50 X 3.50	
15	5025305	4	WASHER, .41 X 1.75 X .14	
16	5025013X10	4	BOLT, 3/8-16 X 1-1/4 GD5	
17	5023497	2	EYE BOLT, 3/8-16 X 5", 1 EYE	
18	5403965D	1	WELD, DECK HANGER SUPPORT, 26/54 - RED	
19	5025011X8	4	BOLT, 5/16-18 X 1 GD5 YZ	
20	5100135	1	SHAFT, HANDLE, DECK MOUNT	
21	5400392D	1	WELD, DECK HANGER, LH	
22	5400391D	1	WELD, DECK HANGER, RH	
23	5100177	1	SHAFT, HANGER	
24	5021102	4	SPRING, COMPRESSION	
25	5400401D	2	WELD, QUICK RELEASE HANDLE - RED	
26	5025089	2	NUT, 1/2-20 HEX JAM	
27	5047125	2	SPACER, .39 X 1.00 X .88	
28	5025489	2	EYE BOLT, 3/8-16 X 6", 3" THRDS, WELDED	
29	5100985	1	ADJUSTER, BRAKE LINKAGE	
30	5025013X14	2	BOLT, 3/8-16 X 1-3/4 GD5	
31	5025096	2	NUT, 3/8-16 HEX NYLON LOCK	
32	5025210	4	PIN, HAIR, .0915 X 1-7/8	
33	5048258	2	BUSHING, DECK SUPPORT	
34	5025328X12	2	PIN, CLEVIS, 1/2 X 1 1/2, YZP	
35	5023174	2	CLEVIS, 1/2-20, STEEL	
36	5100170	2	ROD, DECK LIFT LINKAGE	
37	5100351	2	BUSHING, REAR QUICK TACH	

Footnotes:



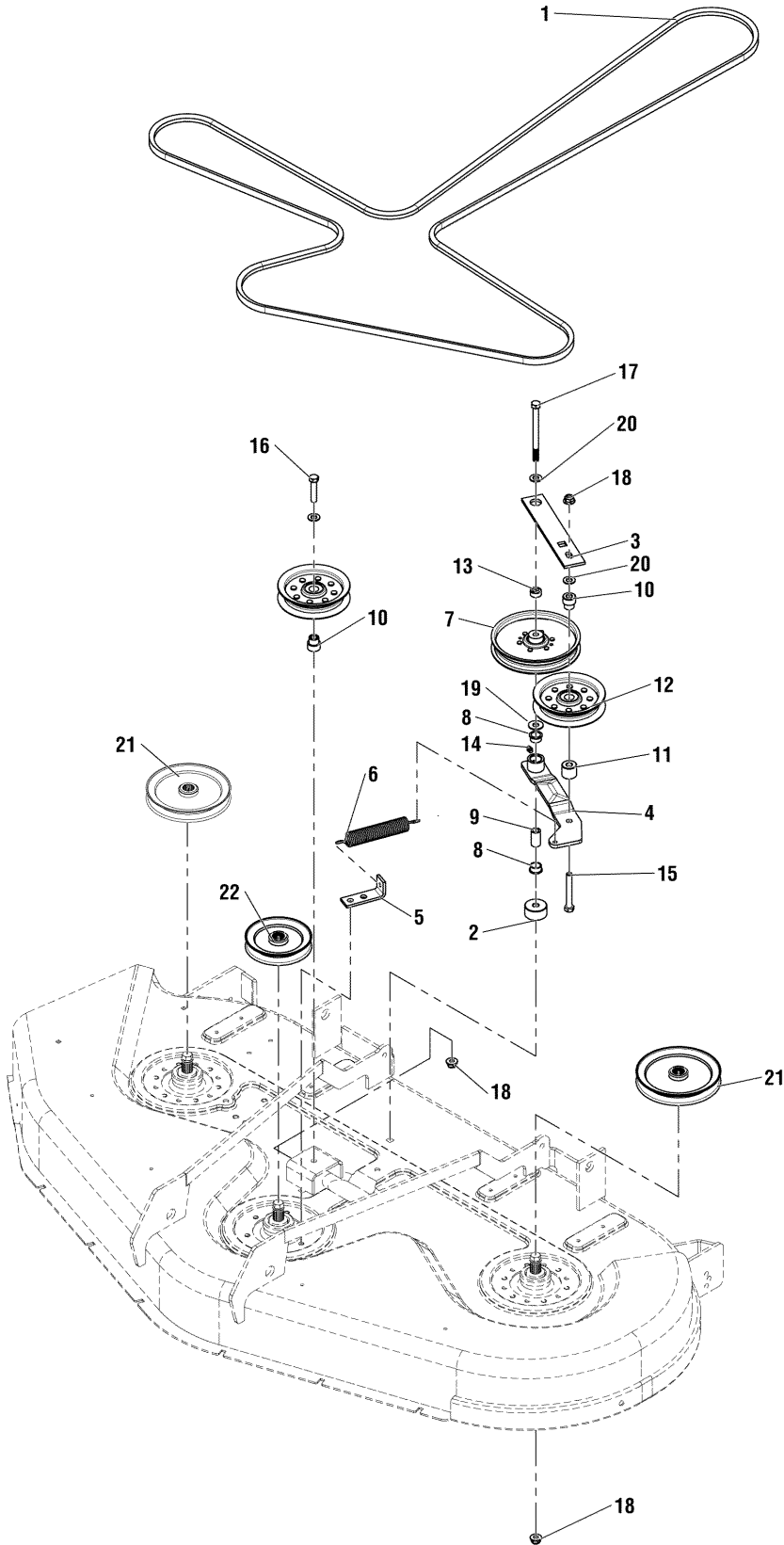
Deck Lift Group

Item	Part No	Qty	Description	Note
38	5400839D	2	WELD, QUICK RELEASE HANDLE, REAR - RED	
39	5101448	2	SPACER, .38 X .50 X .38, YZ	
40	5048733D	1	LINK, DECK LIFT SHAFT	
41	5020639	1	SPRING, EXTENSION	
42	5023198	1	COVER, VINYL HANDLE	
43	5025203X6	1	PIN, COTTER, 1/8" X 3/4	
44	5023202	1	WASHER, WAVE, M10	
45	5048884D	1	WELD, DECK LOCK	
46	5100171	1	GRIP, BLACK FLEXIBLE	
47	5048335	1	SPACER, .76 X 1.00 X 1.00	
48	5025392	4	NUT, 5/16-18 HEX NYLOCK FLANGE	
49	5025011X6	4	BOLT, 5/16-18 X 3/4 GD5	
50	5100561	2	BEARING, BRONZE FLANGE, 3/4"	
51	5021098	2	BEARING, BRONZE FLANGE, 3/4"	
52	5100179	1	HITCH PIN ASSEMBLY, 1/2" X 2.50"	
53	5025013X20	2	BOLT, 3/8-16 X 2-1/2 GD5 YZ	
54	5400370D	1	PLATE, DECK HEIGHT- INNER -RED	

Footnotes:

54" Mower Deck - Pulleys, Belt & Idler Arm

5301464

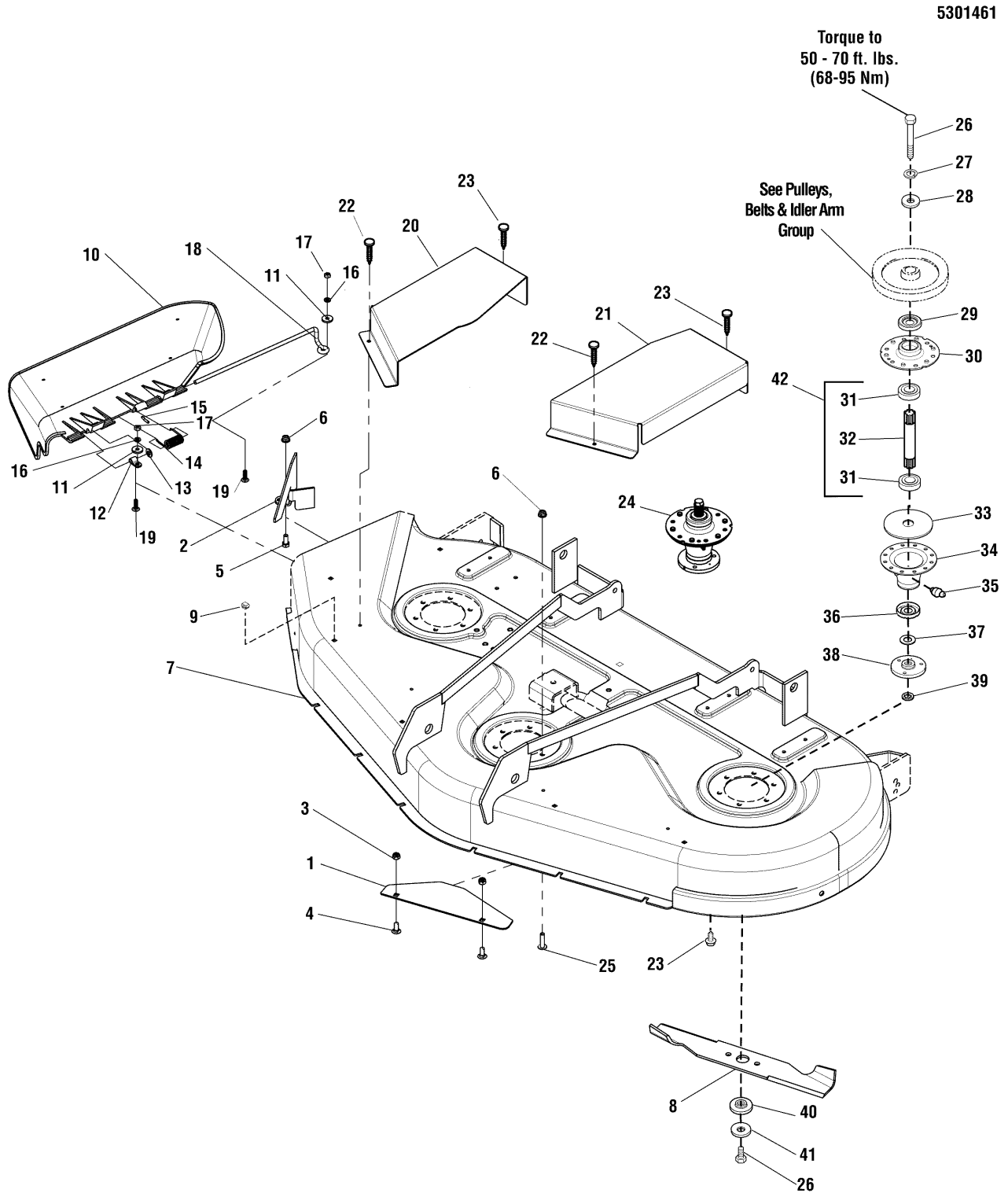


54" Mower Deck - Pulleys, Belt & Idler Arm

Item	Part No	Qty	Description	Note
1	1687399	1	BELT KIT, A SECTION, 163.00 EL (5101405)	
2	5101412	1	SPACER, .39 X 1.50 X .75 - YZ	
3	5403889D	1	MOUNT, IDLER TENSION - 54 - RED	
4	5403895D	1	WELD, DECK IDLER ARM, CON/SNP Z - RED	
5	5403898D	1	BRACKET, SPRING ANCHOR - SNP/CON Z - RED	
6	1715435	1	SPRING, EXTENSION, 1.00	
7	5101193	1	PULLEY, FLAT IDLER, 5" W/KOYO	
8	1676148	2	BUSHING, 0.628IDX0.751ODX0.400LG PWDR MTL	
9	1674669	1	SPACER, 0.39 IDX0.625ODX1.15 LG CASE HARD	
10	5049184	2	SPACER, HYDRO PULLEY	
11	5047125	1	SPACER, .39 X 1.00 X .88	
12	5021002	2	PULLEY, IDLER	
13	5044933	1	SPACER, .39 X .75 X .38	
14	5020095	1	GREASE FITTING, 1/4-28 STRAIGHT	
15	5025013X22	1	BOLT, 3/8-16 X 2-3/4" GD5 YZ	
16	5025013X14	1	BOLT, 3/8-16 X 1-3/4 GD5	
17	5025013X36	1	BOLT, 3/8-16 X 4-1/2" GD5 YZ	
18	5025394	3	NUT, 3/8-16 HEX NYLOCK FLANGE	
19	5025401	1	WASHER, 3/8" USS	
20	5025156	3	WASHER, 3/8 SAE	
21	5101410	2	WELD, PULLEY, DECK DRIVE -4.477OB -PLAIN	
22	5101411	1	WELD, PULLEY, DECK DRIVE -5.70 OB -PLAIN	

Footnotes:

54" Mower Deck - Housing, Cover & Spindles

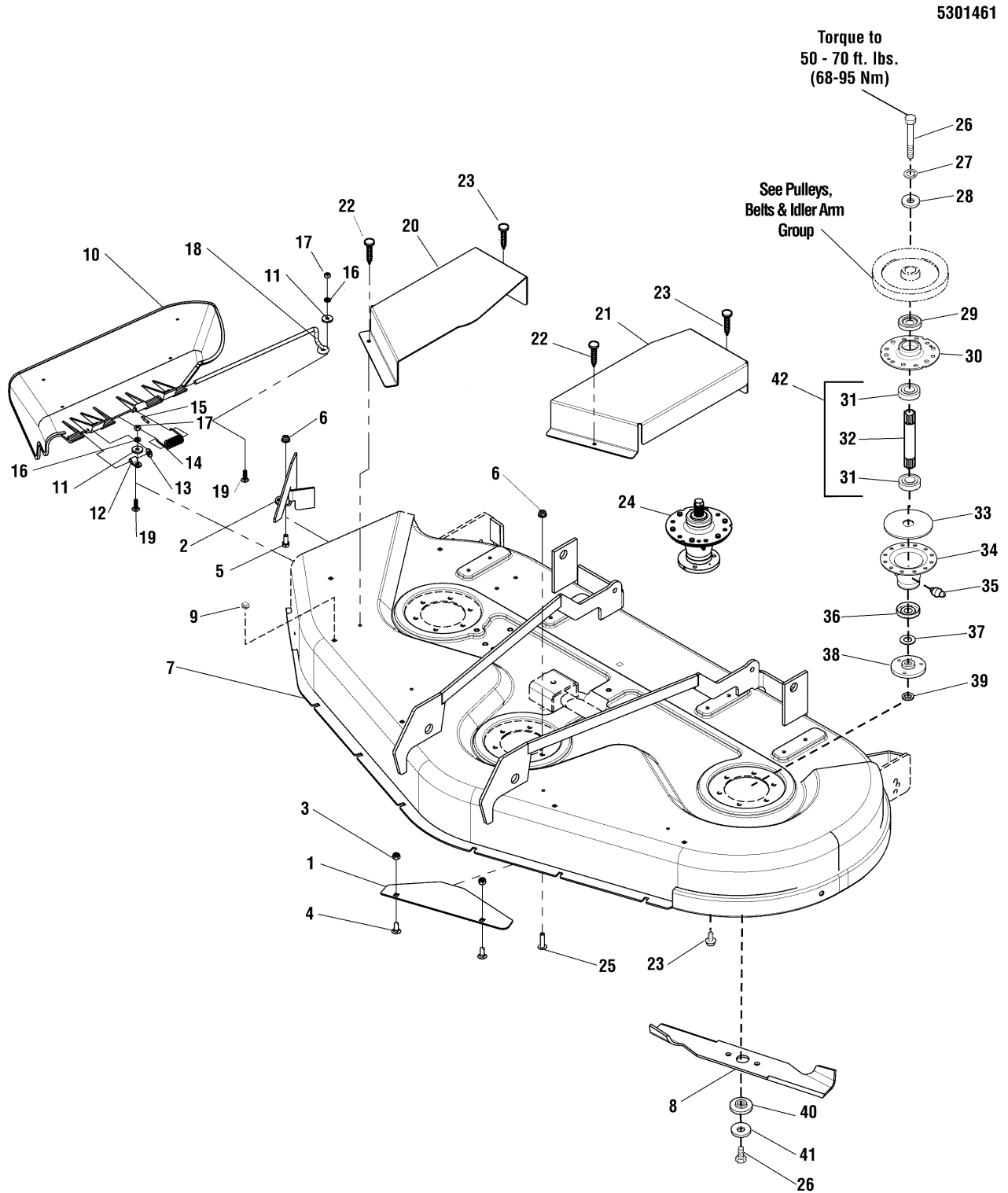


54" Mower Deck - Housing, Cover & Spindles

Item	Part No	Qty	Description	Note
1	1720962A	1	BAFFLE, FRONT BLO-BLACK	
2	1724976A	1	BAFFLE, DISCHARGE 10GA 54" MWR-BLACK	
3	5025392	2	NUT, 5/16-18 HEX NYLOCK FLANGE	
4	1931333	2	BOLT, RD HD SH SQ NK 5/16-18X0.750 G5 BLK	
5	5025011X6	1	BOLT, 5/16-18 X 3/4 GD5	
6	5025057	2	NUT, 5/16-18 HEX NYLON LOCK	
7	5403656D	1	WELD, MOWER DECK, 54 - SNP 2654 - RED	
8	1687398	1	KIT, 54" MOWER BLADES (1736043 - 2; 1736044 - 1)	
9	1705115	4	PLUG, BUTTON FOR 0.344SQ HOLE BLACK POLY	
10	1705449	1	DEFLECTOR, BLACK	
11	1960353	2	WASHER, 0.250(0.26IDX0.84ODX.12THK) BLK	
12	1704873	1	CLAMP, WIRE, .312DIA . (1) .281 HOLE BLK	
13	1919326	1	WASHER, 0.312 (0.34IDX0.75ODX.06THK) BLK	
14	7101082	1	SPRING, TORSION CHUTE 44/50" BLK	
15	1723323	1	CAP, VINYL	
16	1916964	2	LOCKWASHER, SPRING .250 BLK	
17	5025030	2	NUT, 1/4-20 HEX	
18	5049245	1	ROD, DEFLECTOR	
19	1931318	2	BOLT, RD HD SH SQ NK 1/4-20X0.875 G5 BLK	
20	5403906D	1	PLATE, GUARD, MOWER DECK, 54", RH - RED	
21	5403894D	1	PLATE, GUARD, MOWER DECK, 54", LH - RED	
22	1929000	2	SCREW, HEX WSHR HD TAPTT 1/4-20X0.375 .56	
23	1664847	19	SCREW, HEX WSHR HD TAPTT5/16-18X0.750BLK	
24	5101446	3	SPINDLE ASSM, - STAMP STEEL LG SHAFT	(Includes Ref. No. 26 - 41)
25	5023156	1	BOLT, 5/16-18 X 1 1/4 FLANGE	
26	2823471	6	CAPSCREW, HEX HEAD 7/16-14x1-1/4 G8 YELLO (SV)	
27	1918199	3	LOCKWSHER, SPRING .438 BLK (SV)	
28	1933263	3	WASHER, 0.438(0.45IDX1.25ODX.25THK) BLK (SV)	
29	1657969	3	SHIELD, BEARING,MOWER ARBOR UPPER HT TR (SV)	
30	1655729A	3	HOUSING, ARBOR TOP - BLACK (SV)	
31	2108202	6	BEARING, BALL 0.750ID 1.780OD 0.610LG (SV)	
32	5101357	3	SHAFT, ARBOR 1.000DIA (SV)	
33	1707335	3	GASKET, FOAM POLY (SV)	
34	1703273A	3	HOUSING & FITTING ASMY-LOWER BLACK (SV)	
35	1704314	3	FITTING, LUBE .250 DRIVE .25SH BL CHK YEL (SV)	
36	1700229	3	SHIELD, BEARING, MOWER ARBOR LOWER HT TR (SV)	
37	1700230	3	WASHER, SHIM, .75 0.7535IDX1.388ODX0.30T (SV)	

Footnotes:

54" Mower Deck - Housing, Cover & Spindles



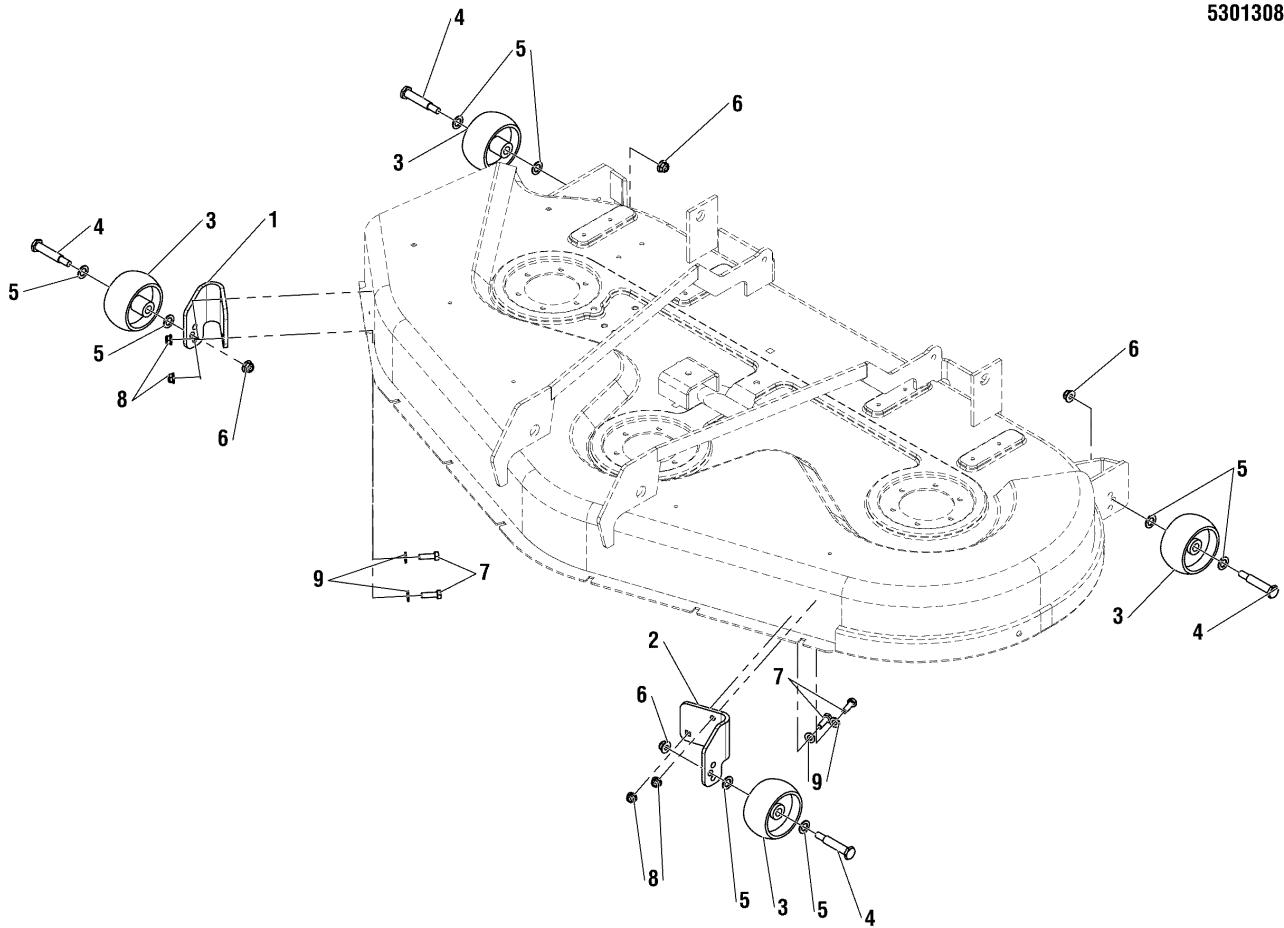
54" Mower Deck - Housing, Cover & Spindles

Item	Part No	Qty	Description	Note
38	1655777	3	ADAPTER, BLADE 3.375OD INT SPLINE PWD MTL (SV)	
39	1657528	3	RETAINING RING, EXT, #75 0.750 SELF LOCK (SV)	
40	1656927	3	WASHER, SPLINE (SV)	
41	1679711	3	WASHER, SPLN.6134IDX2.00OD.390TH SINTERPS (SV)	
42	5101358	3	SHAFT & BEARING ASSM. (SV)	

Footnotes:

54" Mower Deck - Rollers & Casters

5301308

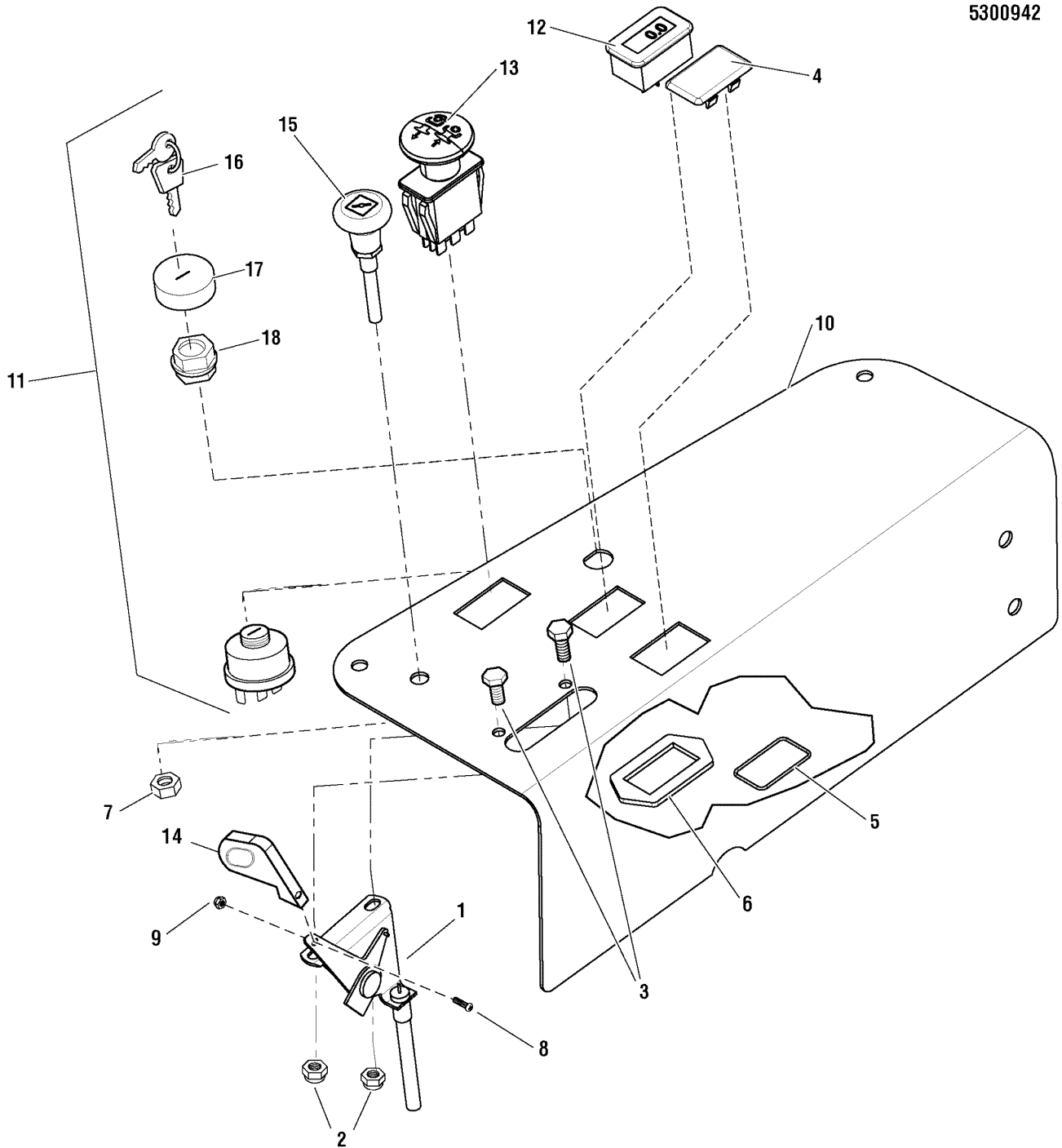


54" Mower Deck - Rollers & Casters

Item	Part No	Qty	Description	Note
1	5403772D	1	BRACKET, GAUGE WHEEL, RH - RED	
2	5403773D	1	BRACKET, GAUGE WHEEL, LH - RED	
3	1714760	4	WHEEL- 2.00 WIDE 3.92 DIA 0.531ID POLY	
4	2108765	4	BOLT - WHEEL 3/8-16X2.781 .750 THRD YELLOW	
5	1960027	8	WASHER, 0500(0.51IDX0.87ODX.06THK) BLK	
6	5025394	4	NUT, 3/8-16 HEX NYLOCK FLANGE	
7	5025011X8	4	BOLT, 5/16-18 X 1 GD5 YZ	
8	5025392	4	NUT, 5/16-18 HEX NYLOCK FLANGE	
9	5025155	4	WASHER, 5/16 SAE	

Footnotes:

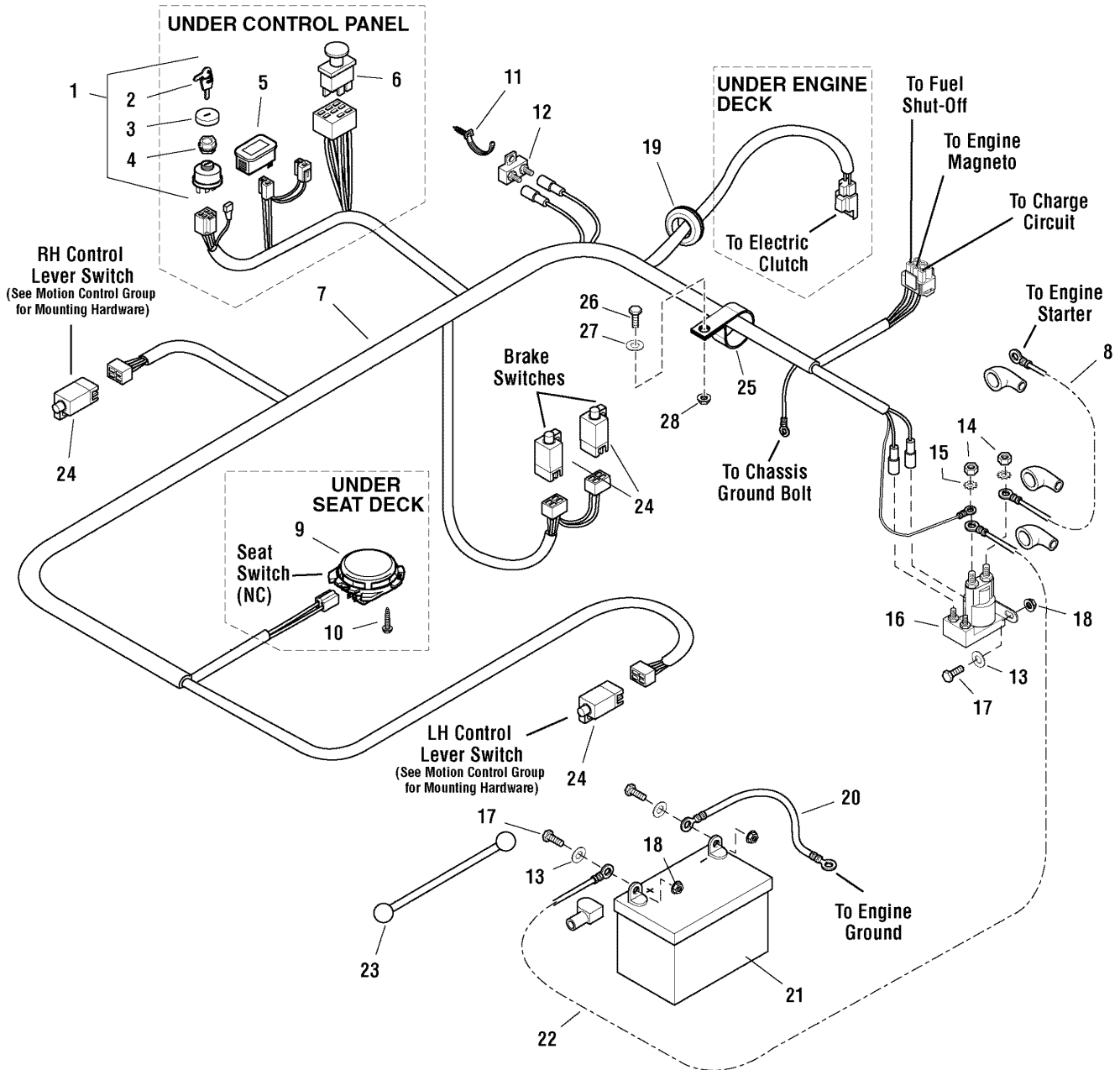
5300942



Instrument & Control Panel

Item	Part No	Qty	Description	Note
1	5100182	1	CABLE, THROTTLE CONTROL, 36"	
2	5025095	2	NUT, 1/4-20 HEX NYLON LOCK	
3	5025010X6	2	BOLT, 1/4-20 X 3/4 GD5 YZ	
4	1709188	1	PLUG, .820X1.44 HOLE, BLACK PLASTIC	
5	5022269	1	O-RING, 7/8 ID X 1/16 W	
6	5022222	1	RING, SWITCH RETAINER	
7	5025035	1	NUT, 3/8-24 HEX	
8	5025270	1	SCREW, #10-24 X 1" RS, CZ	
9	5025271	1	NUT, #10-24 HEX NYLON LOCK	
10	5402842A	1	PLATE, CONTROL PANEL - BLACK	
11	5020927	1	SWITCH, IGNITION, 6 POST	
12	5100996	1	HOUR METER, W/ SUPPRESSOR	
13	5022180	1	SWITCH, BLADE ENGAGEMENT	
14	1725337	1	KNOB-SLOTTED THROTTLE	
15	5047779	1	CABLE, CHOKE CONTROL, 51 (Z)	
16	5022789	1	KEY, IGNITION, MOLDED SET (SV) (SET OF TWO)	
17	5022790	1	COVER (SV)	
18	5022791	1	PLASTIC NUT (SV)	

Footnotes:



Electrical Group

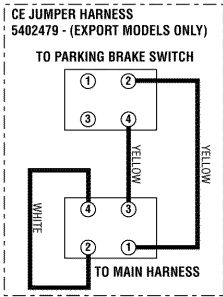
Item	Part No	Qty	Description	Note
1	5020927	1	SWITCH, IGNITION	(Includes Ref No. 2-4)
2	5022789	1	KEY, IGNITION MOLDED (SV)	(Set of 2)
3	5022790	1	COVER (SV)	
4	5022791	1	PLASTIC NUT (SV)	
5	5100996	1	HOUR METER W/SUPPRESSOR	(Includes Retaining Ring)
6	5022180	1	SWITCH, PTO	
7	5402849	1	WIRE HARNESS, MAIN, CONSUMER Z	
8	5023488	1	BATTERY CABLE, POSITIVE, 22	
9	1716368	1	SWITCH, SEAT, GRAY, NC (BOLT IN)	
9	5100541	1	SWITCH, SEAT, GRAY, NC (TWIST IN)	
10	1960536	2	BOLT, HEX WASHER HEAD PLASTITE, 1/4 X 1/2	
11	5021199	1	CABLE TIE-PUSH MOUNT	
12	5023222	1	CIRCUIT BREAKER, 20A	
13	5025154	4	WASHER, 1/4 SAE	
14	5023216	2	NUT, 5/16-24 JAM	
15	5023217	2	WASHER, 5/16 LIGHT LOCK	
16	1724815	1	SOLENOID-4 POLE 12 VOLT DC (TROMBETTA)	
17	5025010X6	4	BOLT, 1/4-20 X 3/4 GD5 YZ	
18	5025126	4	NUT, 1/4-20 HEX SERR. FLANGE	
19	5021379	1	GROMMET, 7/8	
20	5047690	1	BATTERY CABLE, NEGATIVE, 14"	
21	-	1	BATTERY, WET 12V (BCIU1, 340 CCA)	
22	5047136	1	BATTERY CABLE, POSITIVE, 15	
23	1722009	1	STRAP, BLACK RUBB	
24	5022095	4	SWITCH, PLUNGER, N.O./N.C.	
25	5023263	1	CLAMP, VINYL	
26	5025013X8	1	BOLT, 3/8-16 X 1 GD5 YZ	
27	5025156	1	WASHER, 3/8 SAE	
28	5025394	1	NUT, 3/8-16 HEX NYLOCK FLANGE	

Footnotes:

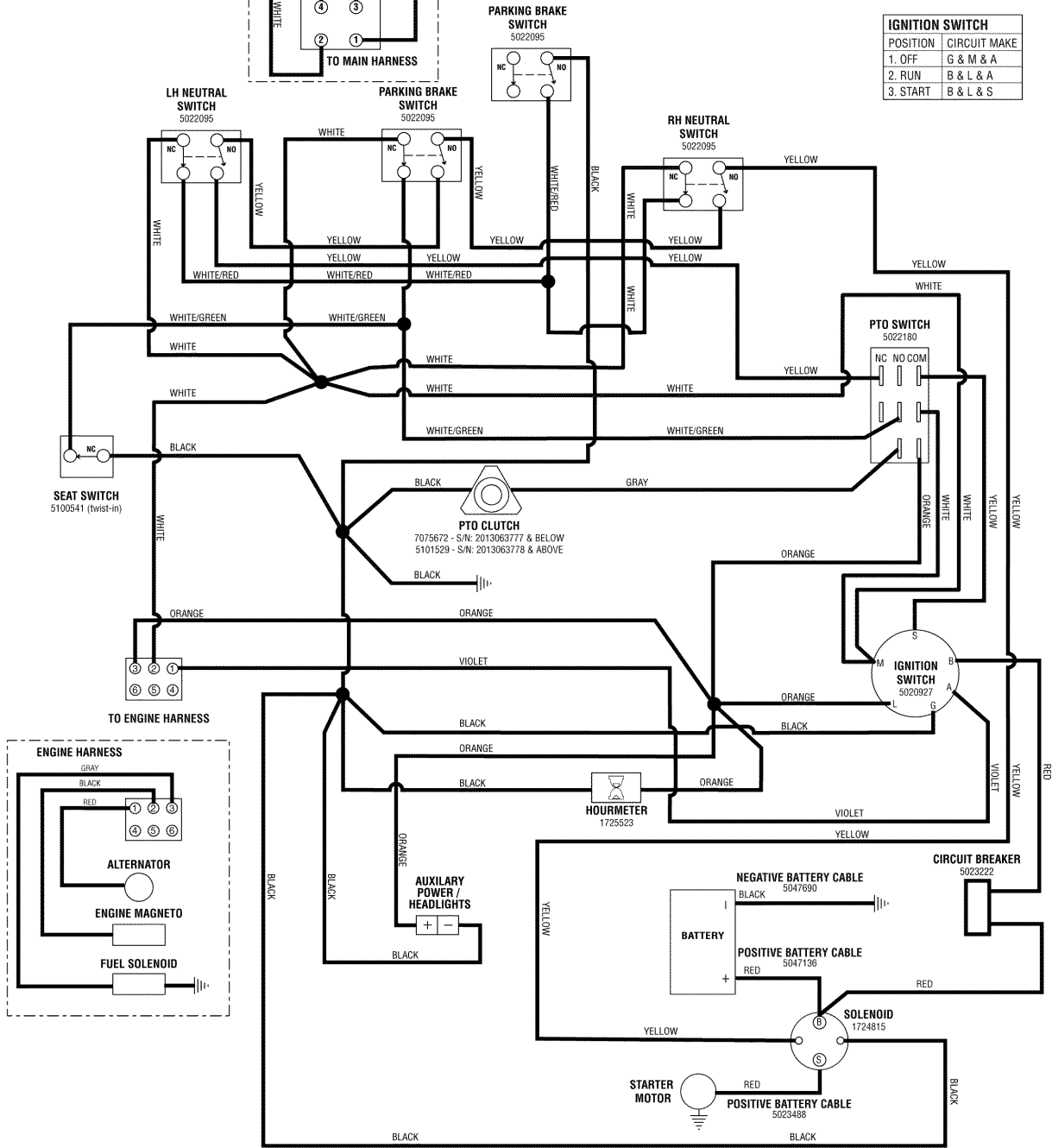
Wiring Schematics - 26HP Briggs & Stratton

MAIN HARNESS PART NO.:

- 1 - 5402849
- 2 - 5404074



IGNITION SWITCH	
POSITION	CIRCUIT MAKE
1. OFF	G & M & A
2. RUN	B & L & A
3. START	B & L & S



Wiring Schematics - 26HP Briggs & Stratton

Item	Part No	Qty	Description	Note
1	-	1	WIRING SCHEMATIC INCLUDES HARNESS # 5402849	(S/N: 2013063778 & ABOVE)
2	-	1	WIRING SCHEMATIC INCLUDES HARNESS # 5404074	(S/N: 2013063778 & ABOVE)

Footnotes:

Parts Manual for

SNAPPER®

**26HP HYDRO DRIVE MID-MOUNT ZTR
DLR 355Z**

IT IS THE POLICY OF BRIGGS & STRATTON CORP. TO IMPROVE ITS
PRODUCTS WHENEVER IT IS POSSIBLE AND PRACTICAL TO DO SO.
WE RESERVE THE RIGHT TO MAKE CHANGES OR ADD
IMPROVEMENTS AT ANY TIME WITHOUT INCURRING ANY OBLIGATION
TO MAKE SUCH CHANGES ON PRODUCTS MANUFACTURED

Briggs & Stratton Yard Power Products Group

535 Macon Road
McDonough, GA, 30253 U.S.A.
800-935-2967

www.snapper.com

Copyright © 2008 Briggs & Stratton Corporation
Milwaukee, WI USA. All Rights Reserved

**Manual No. 5101613
Revision A, 7/3/2008
TP 400-5404-A-HZ-N**