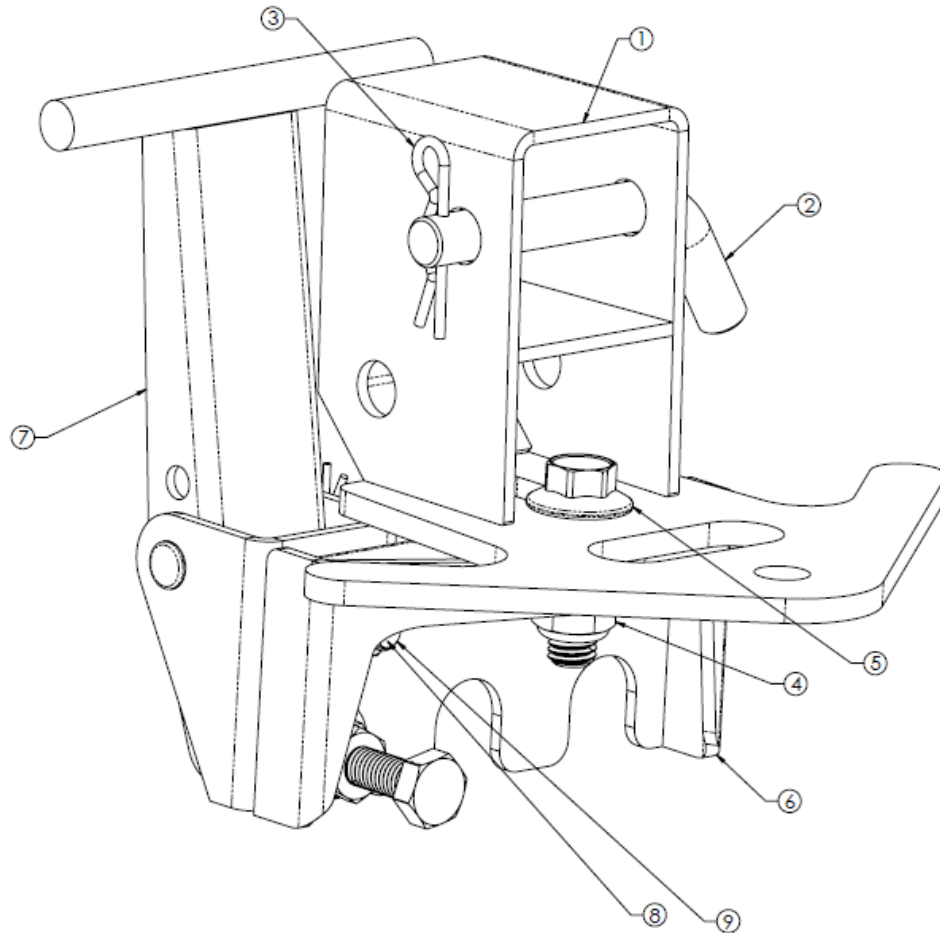


MoJack HITCH⁺ PLUS[™]

MULTI-USE HITCH

Customer Service Phone:
1-877-575-3173.
www.themojack.com



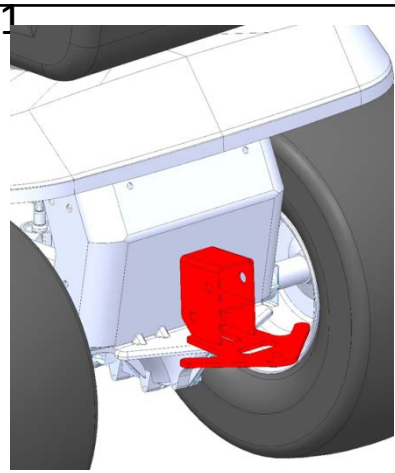
Parts List

ITEM NO.	QTY.	DESCRIPTION
1	1	WLD, MULTI-HITCH - 701-0002
2	1	PIN, HITCH - 001-0051
3	1	PIN, HAIR - 001-0010
4	1	NUT, FLHNI M12 - 002-0002
5	1	SCREW, FLHCS M12 - 003-0063
6	1	WLD, HITCH SUPPORT - 701-0008
7	1	ASM, REACTION BAR - 701-0012
8	1	NUT, FLHNI M10 - 002-0001
9	1	SCREW, CARRAIGE M10 - 003-0062

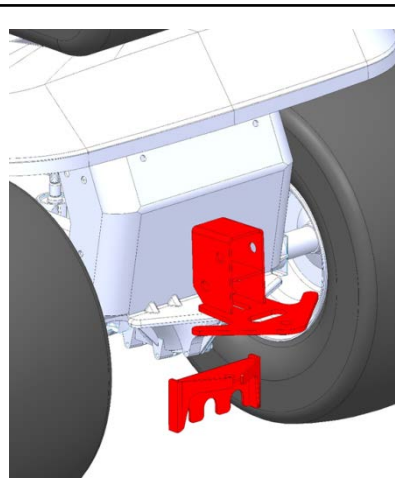
Tools Required:
16 mm wrench
17 mm wrench
19 mm wrench

-OVER-

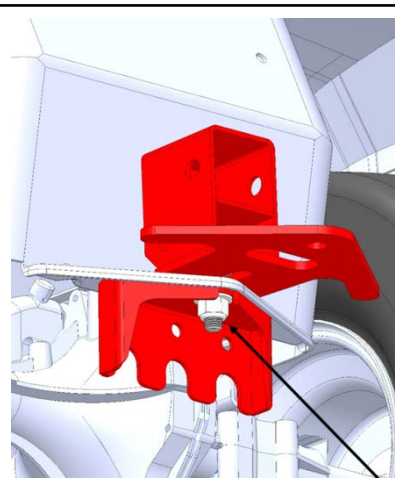
Assembly Instructions



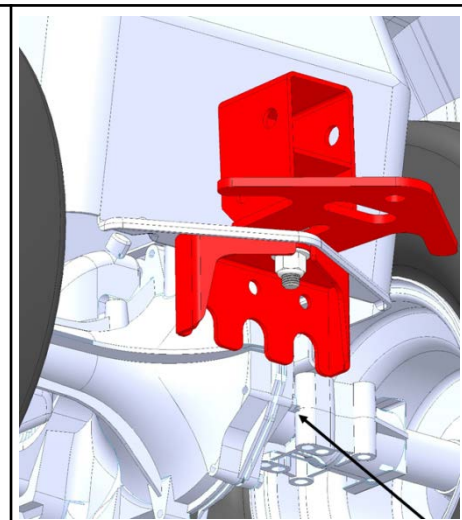
1. Install 701-0002 Multi Hitch Weldment on top of tractor hitch plate.



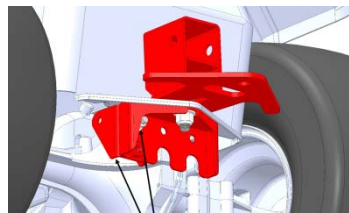
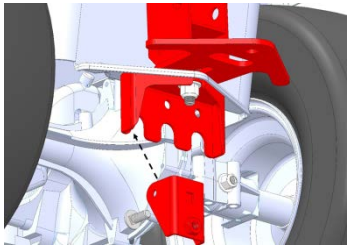
2. Install 701-0008 Hitch Support Weldment under tractor hitch plate



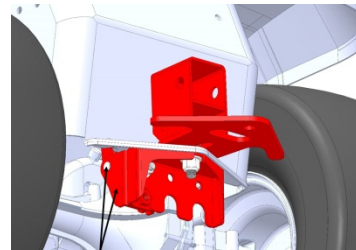
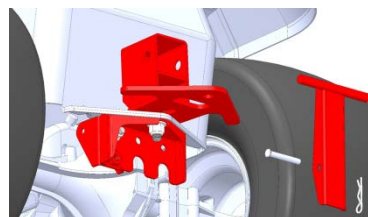
3. Secure using (1) 003-0063 M12 x 40mm screw and (1) 002-0002 M12 Nut



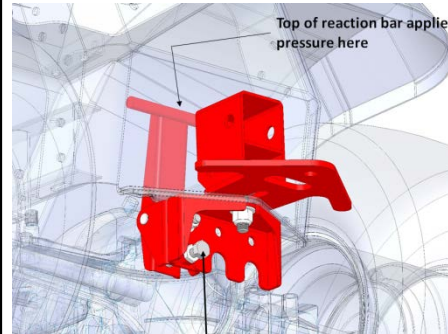
4. Determine which side of the mower the transmission main housing is located on.



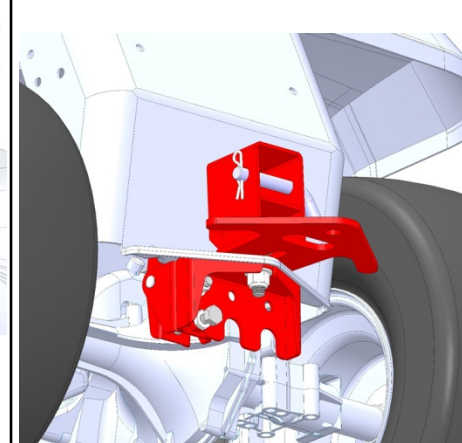
5. Using (1) 003-0062 M10 x 25 Carriage Screw and (1) 002-0001 M10 Nut, install 701-0013 Pivot Bracket Weldment on the opposite side of the tractor from the transmission main housing



6. Install 701-0015 Reaction Bar Weldment into Pivot Bracket using (1) 001-0059 Clevis Pin and (1) 001-0010 Hair Pin



7. Install (1) 003-0061 M10 x 50mm Screw and (1) 002-0026 M10 Jam Nut into welded nut on Hitch Support Weldment. Tighten 003-0061 M10 Screw so that top of reaction applies pressure to inside of tractor frame and tighten Jam Nut



8. Install 001-0051 Hitch Pin and 001-0010 Hair Pin to complete assembly

Customer Service Phone: 1-877-575-3173. www.themojack.com. This produce has a 30 day limited warranty. For questions call the listed phone number or submit your question through the website.