



# Power Max Heavy Duty 1128 OXE Snowthrower

Model No. 38680—Serial No. 313000001 and Up

Form No. 3373-565 Rev A

## Operator's Manual

## Introduction

This machine is intended to be used by residential homeowners or professional, hired operators. It is designed for removing snow from paved surfaces, such as driveways and sidewalks, and other surfaces for traffic on residential or commercial properties. It is not designed for removing materials other than snow, nor is a model with a pivoting scraper designed for clearing off gravel surfaces.

Read this information carefully to learn how to operate and maintain your machine properly and to avoid injury and machine damage. You are responsible for operating the machine properly and safely.

You may contact Toro directly at [www.Toro.com](http://www.Toro.com) for machine and accessory information, help finding a dealer, or to register your machine.

Whenever you need service, genuine Toro parts, or additional information, contact an Authorized Service Dealer or Toro Customer Service and have the model and serial numbers of your machine ready. Figure 1 identifies the location of the model and serial numbers on the machine. Write the numbers in the space provided.

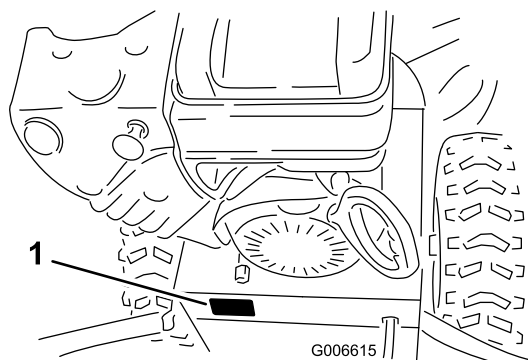


Figure 1

1. Model and serial number location

Model No. _____
Serial No. _____

This manual identifies potential hazards and has safety messages identified by the safety alert symbol (Figure 2),

which signals a hazard that may cause serious injury or death if you do not follow the recommended precautions.



Figure 2

1. Safety alert symbol

This manual uses 2 words to highlight information.

**Important** calls attention to special mechanical information and **Note** emphasizes general information worthy of special attention.

### WARNING

#### CALIFORNIA Proposition 65 Warning

**The engine exhaust from this product contains chemicals known to the State of California to cause cancer, birth defects, or other reproductive harm.**

This spark ignition system complies with Canadian ICES-002.

The enclosed *Engine Owner's Manual* is supplied for information regarding the US Environmental Protection Agency (EPA) and the California Emission Control Regulation of emission systems, maintenance, and warranty. Replacements may be ordered through the engine manufacturer.

## Contents

Introduction .....	1
Training .....	2
Preparation.....	2
Operation.....	3
Clearing a Clogged Discharge Chute .....	3
Maintenance and Storage.....	3
Toro Snowthrower Safety .....	3
Safety and Instructional Decals .....	4
Setup .....	7
1 Installing the Upper Handle.....	8
2 Installing the Wheel Clutch Cable Ends .....	8
3 Installing the Traction Control Linkage .....	9
4 Installing the Chute Control Rod .....	10



5 Connecting the Wire to the Headlight.....	11
6 Filling the Engine with Oil.....	11
7 Checking the Tire Pressure.....	12
8 Checking the Skids and Scraper.....	12
9 Checking the Traction Drive Operation.....	12
Product Overview .....	14
Operation .....	14
Freewheeling or Using the Self-propel Drive.....	14
Filling the Fuel Tank .....	15
Starting the Engine.....	16
Stopping the Engine .....	17
Operating the Traction Drive .....	17
Using the Wheel Clutch Levers.....	18
Operating the Speed Selector .....	18
Operating the Auger/Impeller Drive.....	18
Operating the Quick Stick™.....	19
Unclogging the Discharge Chute .....	20
Preventing Freeze-up.....	20
Operating Tips .....	20
Maintenance .....	21
Recommended Maintenance Schedule(s) .....	21
Preparing for Maintenance.....	21
Checking the Engine Oil Level .....	21
Checking and Adjusting the Skids .....	22
Checking and Adjusting the Traction Cable .....	22
Checking and Adjusting the Auger/Impeller Cable .....	23
Checking the Auger Gearbox Oil Level.....	24
Changing the Engine Oil .....	24
Lubricating the Hex Shaft.....	25
Replacing the Spark Plug .....	25
Adjusting the Discharge Chute Latch .....	26
Replacing the Drive Belts.....	27
Replacing the Headlight Bulb .....	27
Storage .....	28
Preparing the Machine for Storage .....	28
Removing the Machine from Storage.....	28
Troubleshooting .....	29

## Safety

**This machine meets or exceeds the B71.3 specifications of the American National Standards Institute in effect at the time of production.**

**Read and understand the contents of this manual before the engine is ever started.**

**▲ This is the safety alert symbol. It is used to alert you to potential personal injury hazards. Obey all safety messages that follow this symbol to avoid possible injury or death.**

**Improperly using or maintaining this machine could result in injury or death. To reduce this potential, comply with the following safety instructions.**

## Training

- Read, understand and follow all instructions on the machine and in the manual(s) before operating this machine. Be thoroughly familiar with the controls and the proper use of the machine. Know how to stop the machine and disengage the controls quickly.
- Never allow children to operate the machine. Never allow adults to operate the machine without proper instruction.
- Keep the area of operation clear of all persons, particularly small children.
- Exercise caution to avoid slipping or falling, especially when operating the machine in reverse.

## Preparation

- Thoroughly inspect the area where the machine is to be used and remove all doormats, sleds, boards, wires, and other foreign objects.
- Disengage all clutches and shift into neutral before starting the engine.
- Do not operate the machine without wearing adequate winter garments. Avoid loose fitting clothing that can get caught in moving parts. Wear footwear that will improve footing on slippery surfaces.
- Handle fuel with care; it is highly flammable.
  - Use an approved fuel container.
  - Never add fuel to a running engine or hot engine.
  - Fill fuel tank outdoors with extreme care. Never fill fuel tank indoors.
  - Never fill containers inside a vehicle or on a truck or trailer bed with a plastic liner. Always place containers on the ground, away from your vehicle, before filling.
  - When practical, remove gas-powered machinery from the truck or trailer and refuel it on the ground. If this is not possible, then refuel such machinery on a trailer with a portable container, rather than from a gasoline dispenser nozzle.
  - Keep the nozzle in contact with the rim of the fuel tank or container opening at all times, until refueling is complete. Do not use a nozzle lock-open device.
  - Replace gasoline cap securely and wipe up spilled fuel.
  - If fuel is spilled on clothing, change clothing immediately.
- Use extension cords and receptacles as specified by the manufacturer for all machines with electric starting motors.
- Adjust the collector housing to clear gravel or crushed rock surface.
- Never attempt to make any adjustments while the engine is running (except when specifically recommended by manufacturer).
- Always wear safety glasses or eye shields during operation or while performing an adjustment or repair to protect

eyes from foreign objects that may be thrown from the machine.

## Operation

- Do not put hands or feet near or under rotating parts. Keep clear of the discharge opening at all times.
- Exercise extreme caution when operating on or crossing gravel drives, walks, or roads. Stay alert for hidden hazards or traffic.
- After striking a foreign object, stop the engine, remove the ignition key, thoroughly inspect the machine for any damage, and repair the damage before restarting and operating the machine.
- If the machine should start to vibrate abnormally, stop the engine and check immediately for the cause. Vibration is generally a warning of trouble.
- Stop the engine whenever you leave the operating position, before unclogging the auger/impeller housing or discharge chute, and when making any repairs, adjustments or inspections.
- When cleaning, repairing or inspecting the machine, stop the engine and make certain the auger/impeller and all moving parts have stopped. Disconnect the spark plug wire and keep the wire away from the plug to prevent someone from accidentally starting the engine.
- Do not run the engine indoors, except when starting the engine and for transporting the machine in or out of the building. Open the outside doors; exhaust fumes are dangerous.
- Exercise extreme caution when operating on slopes.
- Never operate the machine without proper guards, and other safety protective devices in place and working.
- Never direct the discharge toward people or areas where property damage can occur. Keep children and others away.
- Do not overload the machine capacity by attempting to clear snow at too fast a rate.
- Never operate the machine at high transport speeds on slippery surfaces. Look behind and use care when operating in reverse.
- Disengage power to the auger/impeller when machine is transported or not in use.
- Use only attachments and accessories approved by the manufacturer of the machine (such as wheel weights, counterweights, or cabs).
- Never operate the machine without good visibility or light. Always be sure of your footing, and keep a firm hold on the handles. Walk; never run.
- Never touch a hot engine or muffler.

## Clearing a Clogged Discharge Chute

### ▲ WARNING

**Hand contact with the rotating rotor blades inside the discharge chute is the most common cause of injury associated with machines. Never use your hand to clean out the discharge chute.**

To clear the chute:

- **Shut the engine off!**
- Wait 10 seconds to be sure the rotor blades have stopped rotating.
- Always use the cleanout tool mounted on the snowthrower, not your hands.

## Maintenance and Storage

- Check all fasteners at frequent intervals for proper tightness to be sure the machine is in safe working condition.
- Never store the machine with fuel in the fuel tank inside a building where ignition sources are present such as hot water heaters, space heaters, or clothes dryers. Allow the engine to cool before storing in any enclosure.
- Always refer to the *Operator's Manual* for important details if the machine is to be stored for an extended period.
- Maintain or replace safety and instruction labels, as necessary.
- Run the machine a few minutes after throwing snow to prevent freeze-up of the rotor blades.

## Toro Snowthrower Safety

The following list contains safety information specific to Toro machines or other safety information that you must know.

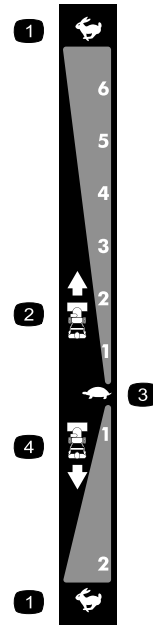
- **Rotating auger/impeller can cut off or injure fingers or hands.** Stay behind the handles and away from the discharge opening while operating the machine. **Keep your face, hands, feet, and any other part of your body or clothing away from moving or rotating parts.**
- Before adjusting, cleaning, inspecting, troubleshooting, or repairing the machine, **stop the engine, remove the key, and wait for all moving parts to stop. Disconnect the wire from the spark plug and keep it away from the spark plug to prevent someone from accidentally starting the engine.**
- **Before** leaving the operating position, stop the engine, remove the key, and wait for all moving parts to stop.
- To unclog the discharge chute, stay in the operating position and release the left hand (traction) lever. While running the auger/impeller, push down on the handles to raise the front of the machine a few inches (centimeters) off the pavement. Then lift the handles quickly to bump

the front of the machine on the pavement. Repeat if necessary until a stream of snow comes out the discharge chute.

- If you cannot unclog the discharge chute by bumping the front of the machine, **stop the engine, wait for all moving parts to stop, and use the cleanout tool; never use your hand.**
- If a shield, safety device, or decal is damaged, illegible, or lost, repair or replace it before beginning operation.
- **Do not** smoke while handling gasoline.
- **Do not** use the machine on a roof.
- Do not touch the engine while it is running or soon after it has stopped because the engine may be hot enough to cause a burn.
- Perform only those maintenance instructions described in this manual. Before performing any maintenance, service, or adjustment, stop the engine, remove the key, and disconnect the wire from the spark plug. If major repairs are ever needed, contact your Authorized Service Dealer.
- Do not change the governor settings on the engine.
- When storing the machine for more than 30 days, drain the fuel from the fuel tank to prevent a potential hazard. Store fuel in an approved fuel container. Remove the key from the ignition switch before storing the machine.
- Purchase only genuine Toro replacement parts and accessories.

## Safety and Instructional Decals

**Important:** Safety and instruction decals are located near areas of potential danger. Replace damaged decals.



106-4525

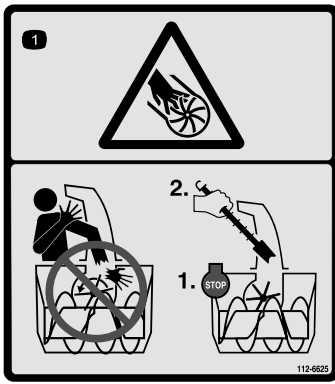
Reorder part no. 112-6633

- |                   |                   |
|-------------------|-------------------|
| 1. Fast           | 3. Slow           |
| 2. Forward speeds | 4. Reverse speeds |



107-3040

1. Cutting dismemberment, impeller and cutting dismemberment, auger hazards—keep bystanders a safe distance from the snowthrower.



**112-6625**

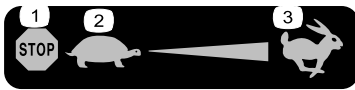
Reorder part no. 112-6629

1. Cutting/dismemberment hazard, impeller—do not place your hand in the chute; stop the engine before leaving the operator's position, use the tool to clear the chute.



**112-6627**

- |  |   |  |  |
|--|---|--|--|
| 1. Left turn control   | 3. Warning—read the <i>Operator's Manual</i> .  | 5. Cutting/dismemberment hazard, impeller—keep away from moving parts; remove the ignition key and read the instructions before servicing or performing maintenance. | 7. Auger/impeller drive—squeeze the lever to engage; release the lever to disengage. |
| 2. Traction drive—squeeze the lever to engage; release the lever to disengage. | 4. Cutting/dismemberment hazard, impeller—do not place your hand in the chute; stop the engine before leaving the operator's position, use the tool to clear the chute. | 6. Thrown object hazard—keep bystanders a safe distance from the snowthrower.  | 8. Right turn control  |



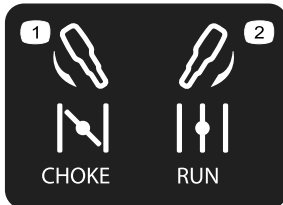
**Briggs & Stratton Part No. 273676**

- |         |         |
|---------|---------|
| 1. Stop | 3. Fast |
| 2. Slow |         |



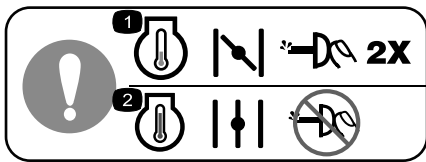
**Briggs & Stratton Part No. 276925**

- |  |   |
|--|---|
| 1. Warning—read the <i>Operator's Manual</i> . | 3. Warning—toxic gas inhalation hazard. |
| 2. Warning—fire hazard.                        | 4. Warning—hot surface/burn hazard.     |



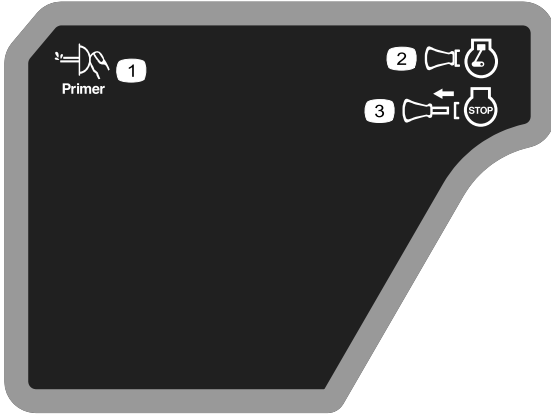
**Briggs & Stratton Part No. 275949**

- |                     |                    |
|---------------------|--------------------|
| 1. Choke on (Choke) | 2. Choke off (Run) |
|---------------------|--------------------|



**Briggs & Stratton Part No. 277566**

1. When starting a cold engine, close the choke and press the primer two times.
2. When starting a warm engine, open the choke and do not press the primer.



**Briggs & Stratton Part No. 277588**

1. Primer
2. Ignition key in (Engine—Run)
3. Ignition key out (Engine—Stop)



**Briggs & Stratton Part No. 278866**

1. Fuel—On
2. Fuel—Off

# Setup

## Loose Parts

Use the chart below to verify that all parts have been shipped.

Procedure	Description	Qty.	Use
<b>1</b>	Handle bolts Curved washers Locknuts	4 4 4	Install the upper handle.
<b>2</b>	No parts required	–	Install the wheel clutch cable ends
<b>3</b>	No parts required	–	Install the traction control linkage.
<b>4</b>	Carriage bolts Locknuts	2 2	Install the chute control rod.
<b>5</b>	Cable tie	1	Connect the wire to the headlight.
<b>6</b>	No parts required	–	Fill the engine with oil.
<b>7</b>	No parts required	–	Check the tire pressure.
<b>8</b>	No parts required	–	Check the skids and scraper.
<b>9</b>	No parts required	–	Check the operation of the traction drive.

# 1

## Installing the Upper Handle

### Parts needed for this procedure:

4	Handle bolts
4	Curved washers
4	Locknuts

### Procedure

**Note:** Do not remove the rubber band on the cables until you have installed the upper handle.

1. Lift and rotate the upper handle and position it over the lower handle (Figure 3).

**Important:** Route the cables attached to the Quick Stick inside the upper handle legs and ensure that the cables and the wire for the headlight are not pinched between the handle sections.

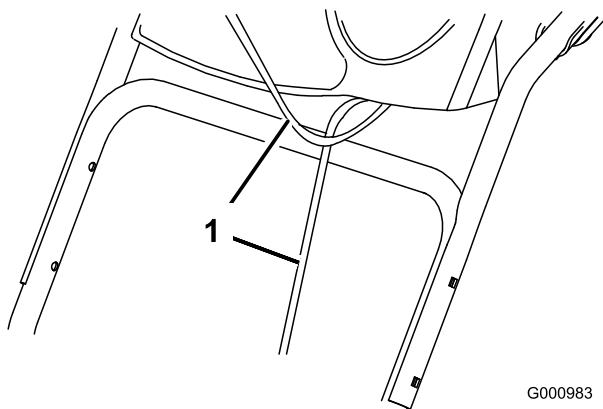
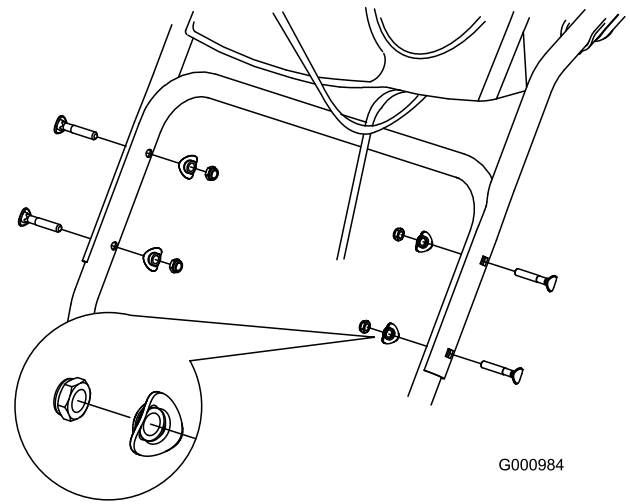


Figure 3

G000983

1. Cables



G000984

Figure 4

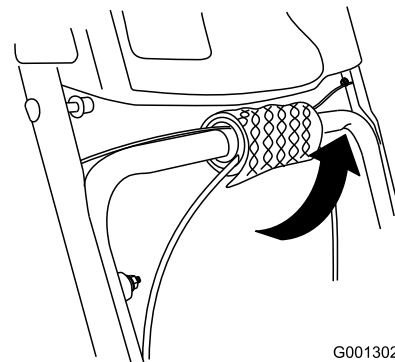
# 2

## Installing the Wheel Clutch Cable Ends

### No Parts Required

### Procedure

1. Unwrap the cable ends from the lower handle (Figure 5).

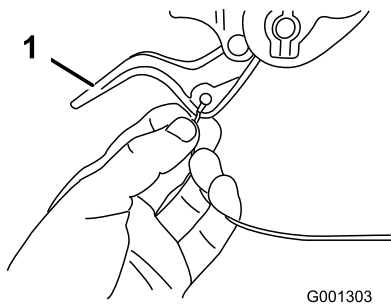


G001302

Figure 5

2. Route either the left or right cable end over the lower handle and insert the cable end into the hole in the corresponding wheel clutch lever (Figure 6).

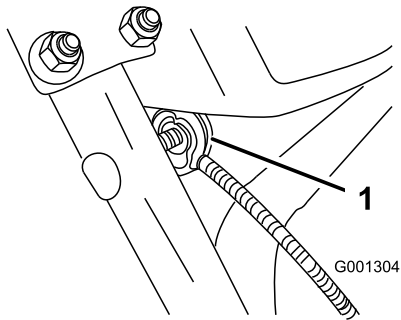




**Figure 6**

1. Wheel clutch lever

3. Remove the nut and washer from the handle, attach the cable clamp on the cable to the handle, install the washer and the nut, and hand tighten the nut (Figure 7).

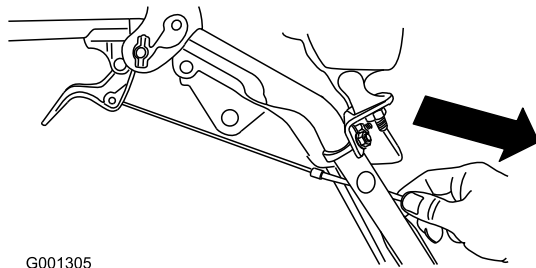


**Figure 7**

1. Cable clamp (2)

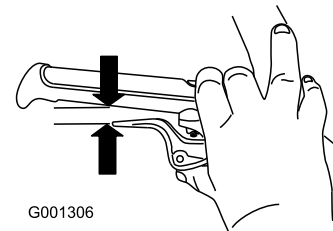
**Important:** Ensure that the curved side of the cable clamp is against the handle and that the cable is routed below the clamp bolt. The cable must be in a straight line from the cable clamp to the point where it attaches to the wheel clutch lever.

4. Pull the cable jacket down gently until the wheel clutch lever is down and the slack is out of the cable, then tighten the cable clamp nut securely (Figure 8).



**Figure 8**

5. Squeeze the lever fully, then check the gap between the bottom of the handle and the wheel clutch lever end (Figure 9).



**Figure 9**

**Note:** The gap should be approximately the thickness of a pencil (1/4 inch or 6 mm). If it is greater, loosen the cable clamp nut, slide the cable jacket up slightly, tighten the cable clamp nut, and check the gap again.

6. Repeat steps 2 through 5 for the other cable.

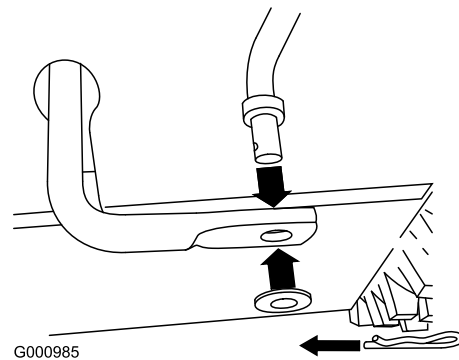
# 3

## Installing the Traction Control Linkage

### No Parts Required

### Procedure

1. Remove the hairpin cotter and washer from the lower end of the speed control rod and insert the lower end of the rod into the lower link arm so that the bent end of the speed control rod faces rearward (Figure 10).



**Figure 10**

2. Secure the lower end of the speed control rod with the washer and hairpin cotter that you previously removed.
3. Remove the hairpin cotter and the outer washer from the trunnion on the upper end of the speed control rod (Figure 11).

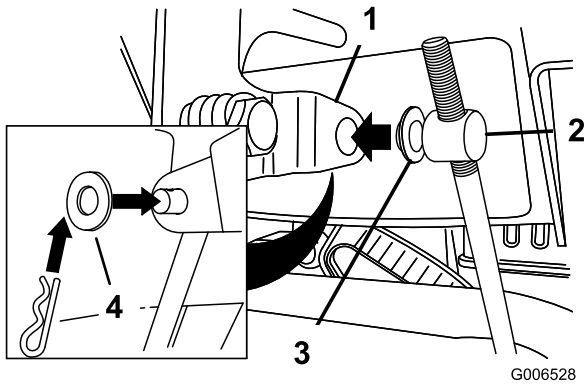


Figure 11

- 1. Speed selector lever
- 2. Trunnion
- 3. Inner washer
- 4. Outer washer

**Note:** To make installation easier, leave the flat washer on the trunnion (Figure 11).

- 4. Shift the speed selector lever into Position R2.
- 5. Rotate the lower link arm fully upward (counterclockwise) (Figure 12).

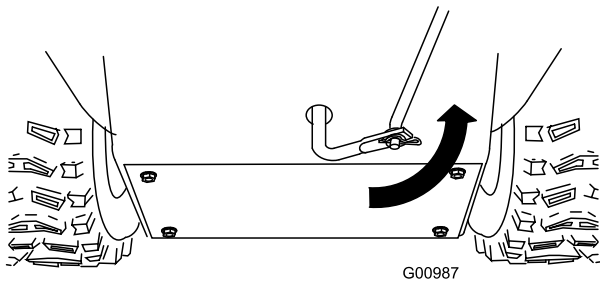


Figure 12

- 6. Lift up on the speed control rod and insert the trunnion into the hole in the speed selector lever (Figure 11).

**Note:** If the trunnion does not fit into the hole when you lift up on the speed control rod, rotate the trunnion upward or downward on the speed control rod until it fits.

- 7. Secure the trunnion and upper end of the speed control rod with the outer washer and a hairpin cotter you previously removed.

**Note:** For easier installation, look down through the opening in the speed selector (Figure 13).

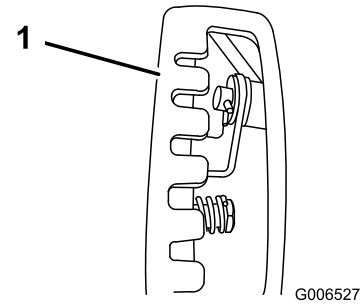


Figure 13

- 1. Speed selector

# 4

## Installing the Chute Control Rod

### Parts needed for this procedure:

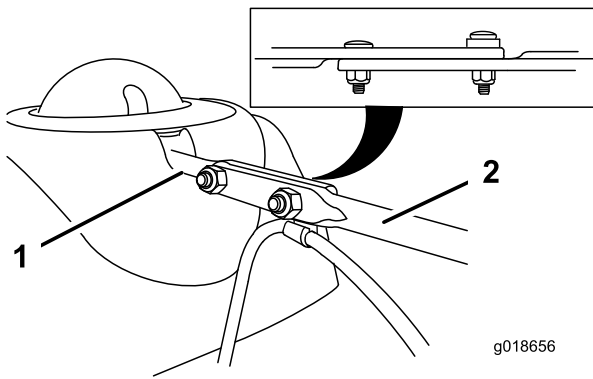
2	Carriage bolts
2	Locknuts

### Procedure

- 1. Unwrap the Quick Stick and rotate it so that it is upright and in the center.
- 2. Hold the blue trigger cap down and pull the lever fully rearward.

**Note:** The discharge chute and deflector should face forward. If they do not, hold the blue trigger cap down (but do not move the Quick Stick) and rotate the discharge chute until they do.

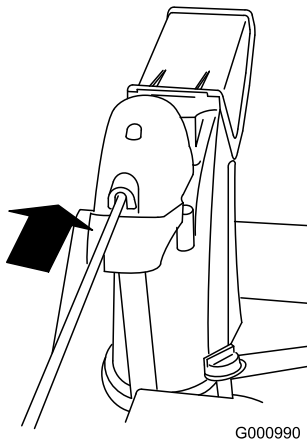
- 3. Align the flattened back end of the long chute control rod with the flattened front end of the short rod that extends from the control panel so that they nest together (Figure 14).



**Figure 14**

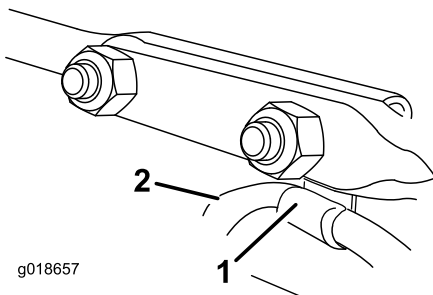
1. Short rod
2. Long chute control rod

4. Insert the front end of the rod into the opening in the back of the chute gear cover until it slides into the chute gear (Figure 15).



**Figure 15**

5. Align the holes in the nested ends of the rods and insert 2 carriage bolts (in the loose parts bag) through the short rod from the left side of the machine (from the operating position).
6. Insert the cable clip that supports the deflector cable onto the forward carriage bolt, and secure the carriage bolts with locknuts from the loose parts bag (Figure 16).



**Figure 16**

1. Cable clip
2. Deflector cable

7. Hold the blue trigger cap down and rotate the Quick Stick in a circle to ensure that the chute and deflector operate smoothly.

# 5

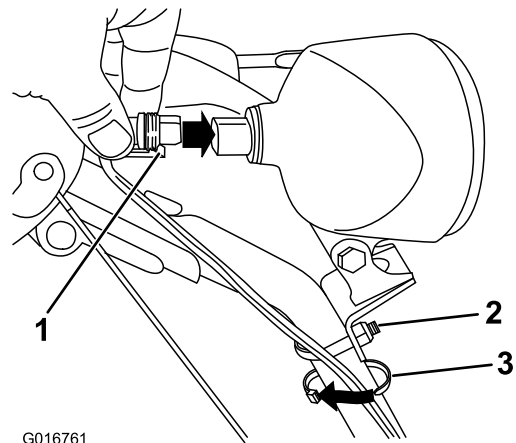
## Connecting the Wire to the Headlight

### Parts needed for this procedure:

1	Cable tie
---	-----------

### Procedure

1. Insert the wire connector on the loose end of the wire straight into the back of the headlight until it is securely in place (Figure 17).



**Figure 17**

1. Plastic clip on wire connector
2. U-bolt
3. Cable tie

**Note:** Ensure that the plastic clip on the wire connector is on the bottom (Figure 17).

2. Secure a cable tie (from the loose parts bag) around the wire and the handle about an inch (2.5 cm) below the U-bolt (Figure 17).

# 6

## Filling the Engine with Oil

### No Parts Required

### Procedure

Your machine comes with oil in the engine crankcase.

**Note:** Before starting the engine, check the oil level and add oil if necessary.

Use automotive detergent oil with an API service classification of SF, SG, SH, SJ, SL, or higher. Refer to your engine owner's manual.

Use Figure 18 below to select the best oil viscosity for the outdoor temperature range expected:

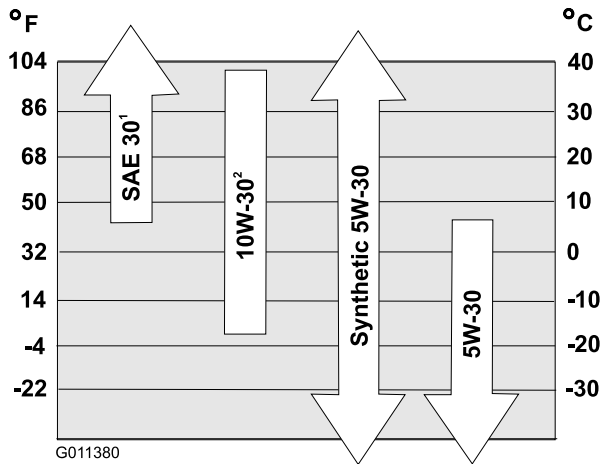


Figure 18

1. Using SAE 30 at outdoor temperatures below 40°F (4°C) will result in hard starting.
2. Using 10W-30 at outdoor temperatures above 80°F (27°C) may result in increased oil consumption; therefore, check the oil level more frequently in these circumstances.

### Engine Oil Capacities

Model	Engine Oil Capacity
38680	26 to 28 oz. (0.77 to 0.83 l)

1. Remove the dipstick and **slowly** pour oil into the oil fill tube to raise the oil level to the Full mark on the dipstick. **Do not overfill.** (Figure 19).

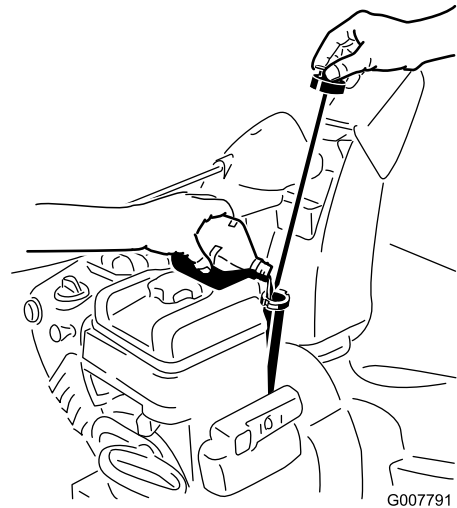


Figure 19

2. Install the dipstick securely.

**Note:** Do not spill oil around the oil fill tube; oil could leak onto traction parts and cause the traction to slip.

# 7

## Checking the Tire Pressure

### No Parts Required

### Procedure

The tires are overinflated at the factory for shipping. Reduce the pressure equally in both tires to between 17 and 20 psi (116 and 137 kPa).

# 8

## Checking the Skids and Scraper

### No Parts Required

### Procedure

Refer to Checking and Adjusting the Skids and Scraper in Maintenance.

# 9

## Checking the Traction Drive Operation

### No Parts Required

### Procedure

#### ⚠ CAUTION

If the traction drive is not properly adjusted, the machine may move in the direction opposite of what you intended, causing injury and/or property damage.

Carefully check the traction drive and adjust it properly, if necessary.

**Note:** To check the traction drive operation, the self-propel feature must be engaged by ensuring the wheels are pinned in the axle. Refer to Freewheeling or Using the Self-propel Drive (page 14).

1. Start the engine; refer to Starting the Engine.
2. Move the speed selector to Position R1; refer to Operating the Speed Selector.
3. Squeeze the left hand (traction) lever to the hand-grip (Figure 20).

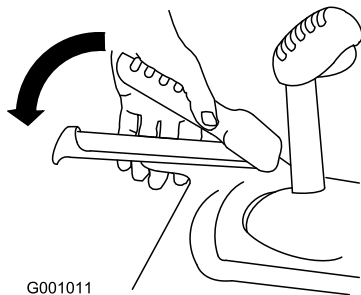


Figure 20

4. Release the traction lever.
5. Move the speed selector to the Position 1; refer to Operating the Speed Selector.
6. Squeeze the left hand (traction) lever to the hand-grip (Figure 20).

The machine should move forward. If the machine does not move or moves rearward, complete the following:

- A. Release the traction lever and stop the engine.
  - B. Disconnect the trunnion from the speed selector lever (Figure 11).
  - C. Turn the trunnion upward (counterclockwise) on the speed control rod (Figure 11).
  - D. Connect the trunnion to the speed selector lever (Figure 11).
7. If you made any adjustments, repeat this procedure until no adjustments are required.

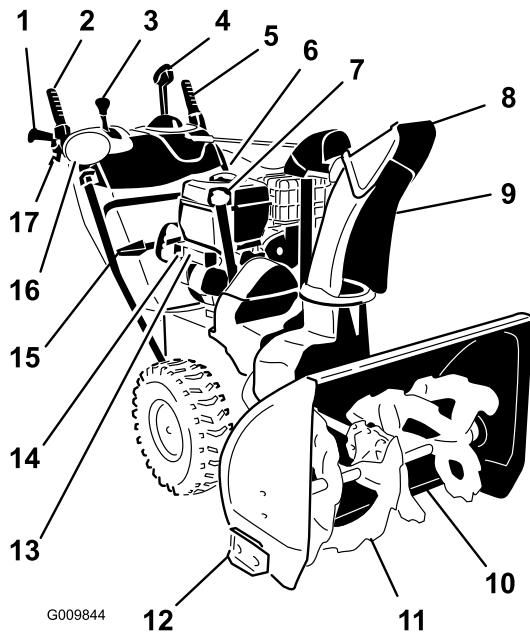
**Important:** If the machine moves when the traction lever is in the released position, check the traction cable (refer to Checking and Adjusting the Traction Cable) or take the machine to an Authorized Service Dealer for service.

---

The machine should move rearward. If the machine does not move or moves forward, complete the following:

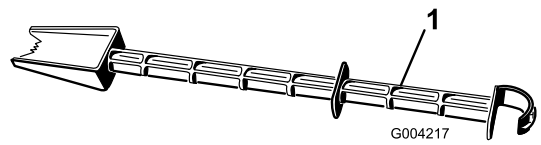
- A. Release the traction lever and stop the engine.
- B. Disconnect the trunnion from the speed selector lever (Figure 11).
- C. Turn the trunnion downward (clockwise) on the speed control rod (Figure 11).
- D. Connect the trunnion to the speed selector lever (Figure 11).

# Product Overview



**Figure 21**

- |   |                              |
|---|------------------------------|
| 1. Hand-grip (2)                        | 10. Scraper                  |
| 2. Auger/impeller lever                 | 11. Auger                    |
| 3. Speed selector lever                 | 12. Skid (2)                 |
| 4. Quick Stick™ discharge chute control | 13. Electric starter button  |
| 5. Traction lever                       | 14. Electric starter plug-in |
| 6. Fuel tank cap                        | 15. Snow cleanout tool       |
| 7. Engine oil fill tube/dipstick        | 16. Headlight                |
| 8. Chute deflector                      | 17. Wheel clutch lever (2)   |
| 9. Discharge chute                      |                              |



**Figure 23**

1. Snow cleanout tool (attached to the handle)

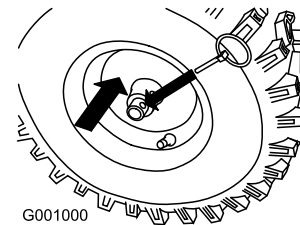
## Operation

**Note:** Determine the left and right sides of the machine from the normal operating position.

### Freewheeling or Using the Self-propel Drive

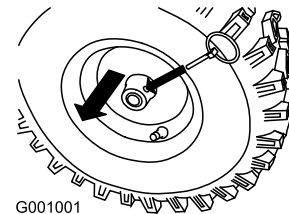
You can operate the snowthrower with the self-propel feature engaged or disengaged (freewheeling).

To freewheel, slide the wheels inward and insert the axle pins through the axle holes, but not through the wheel hubs (Figure 24).

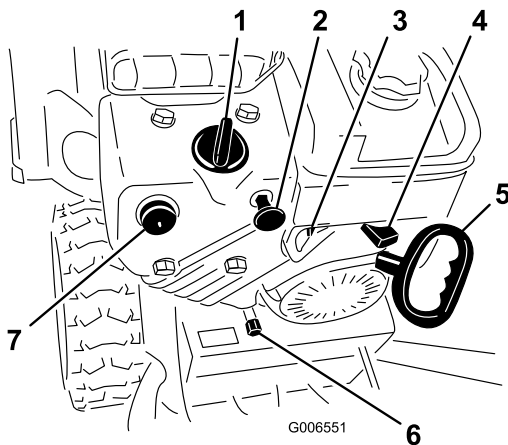


**Figure 24**

To self-propel, slide the wheels outward and insert the axle pins through the holes in the wheel hubs and the axle holes (Figure 25).



**Figure 25**



**Figure 22**

- |                       |                   |
|-----------------------|-------------------|
| 1. Choke              | 5. Recoil starter |
| 2. Ignition switch    | 6. Oil drain plug |
| 3. Fuel shutoff valve | 7. Primer         |
| 4. Throttle           |                   |

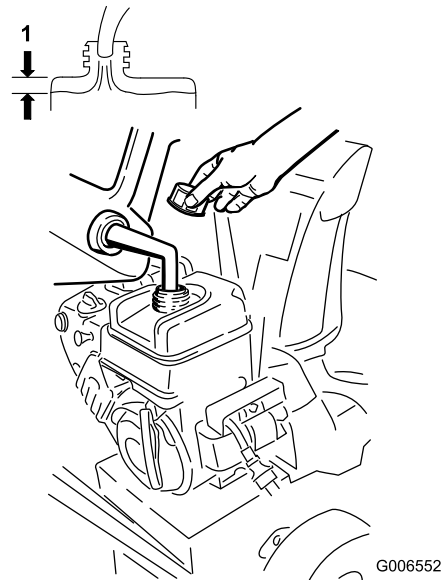
# Filling the Fuel Tank

## **⚠ DANGER**

Gasoline is extremely flammable and explosive. A fire or explosion from gasoline can burn you and others.

- To prevent a static charge from igniting the gasoline, place the container and/or machine on the ground before filling, not in a vehicle or on an object.
- Fill the tank outdoors when the engine is cold. Wipe up spills.
- Do not handle gasoline when smoking or around an open flame or sparks.
- Store gasoline in an approved fuel container, out of the reach of children.
- For best results, use only clean, fresh, unleaded gasoline with an octane rating of 87 or higher ((R+M)/2 rating method).
- Oxygenated fuel with up to 10% ethanol or 15% MTBE by volume is acceptable.
- **Do Not** use ethanol blends of gasoline (such as E15 or E85) with more than 10% ethanol by volume. Performance problems and/or engine damage may result which may not be covered under warranty.
- **Do Not** use gasoline containing methanol.
- **Do Not** store fuel either in the fuel tank or fuel containers over the winter unless a fuel stabilizer is used.
- **Do Not** add oil to gasoline.

**Important:** To reduce starting problems, add fuel stabilizer to the fuel all season, mixing it with gasoline less than 30 days old. *Do not add oil to the gasoline.*



**Figure 26**

1. Do not fill above the bottom of the tank neck
-

# Starting the Engine

1. Check the engine oil level. Refer to Checking the Engine Oil Level in Maintenance.
2. Turn the fuel shutoff valve 1/4 turn counterclockwise to open it (Figure 27).

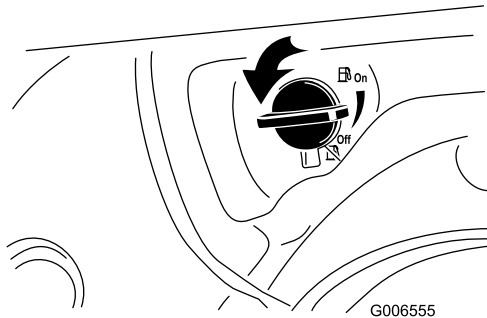


Figure 27

G006555

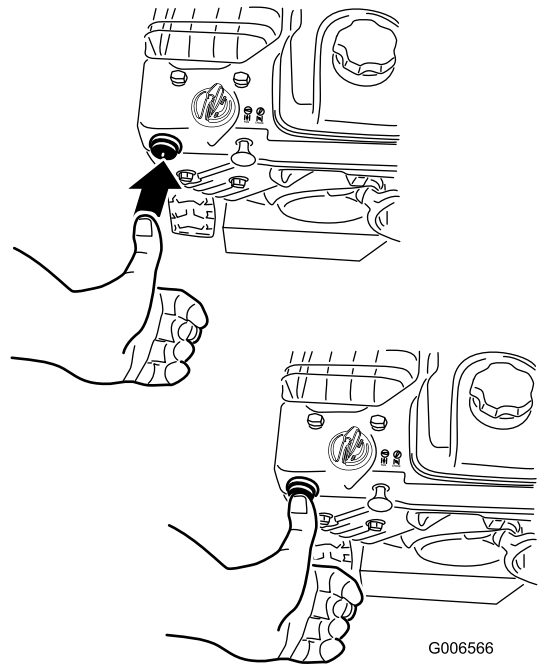


Figure 29

G006566

3. Insert the ignition key (Figure 28).

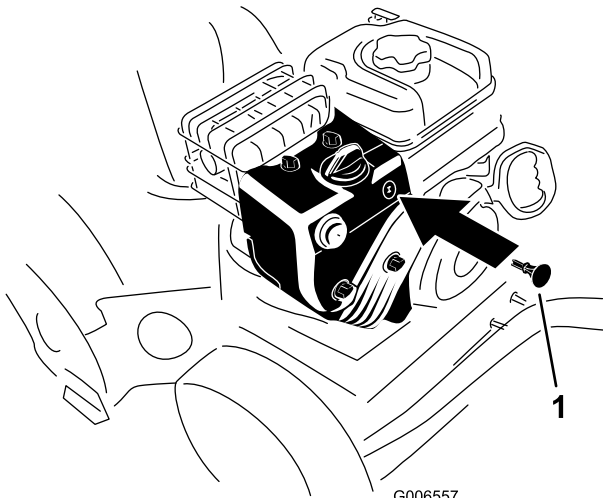


Figure 28

G006557

1. Ignition key

4. Firmly push in the primer with your thumb 2 times (15°F or -9°C or above) or 4 times (below 15°F or -9°C), holding the primer in for a second before releasing it each time (Figure 29).

5. Rotate the choke to the Choke position (Figure 30).

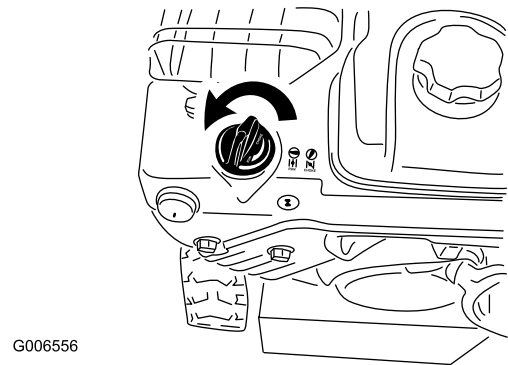


Figure 30

G006556

6. Move the throttle to the Fast position (Figure 31).

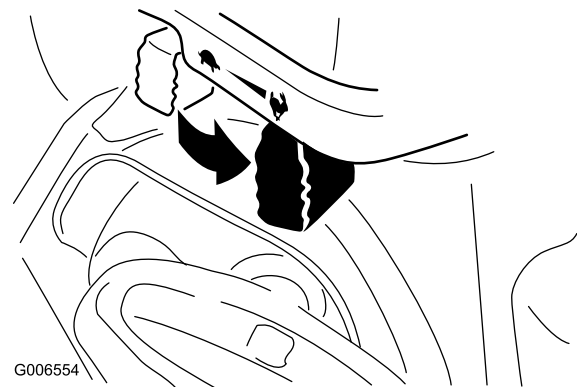
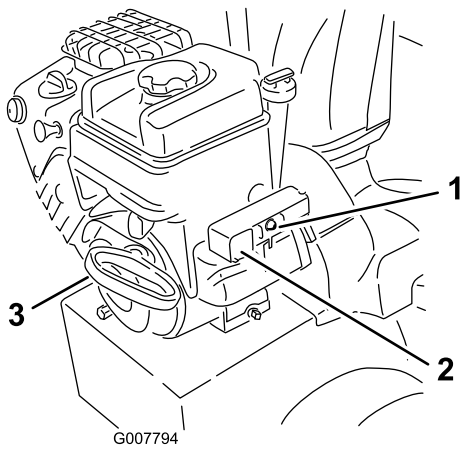


Figure 31

G006554

7. Start the machine pulling the recoil starter or pressing the electric-starter button (Figure 32).





**Figure 32**

1. Electric-starter button
2. Electric starter plug-in
3. Recoil starter

**Note:** To use the electric starter, connect a power cord to the electric starter plug-in first and then to a power outlet. Use only a UL-listed, 16-gauge extension cord recommended for outdoor use that is not longer than 50 feet (15 m).

### **⚠ WARNING**

The electrical cord can become damaged, causing a shock or fire.

Thoroughly inspect the electrical cord before using the machine. If the cord is damaged, do not operate the machine. Replace or repair the damaged cord immediately. Contact an Authorized Service Dealer for assistance.

**Important:** To prevent damaging the electric starter, run it in short cycles (5 seconds maximum, then wait one minute before trying to start it again). If the engine still does not start, take the machine to an Authorized Service Dealer for service.

8. Disconnect the power cord from the power outlet first and then from the machine (electric start only).
9. Allow the engine to warm up for several minutes, move the choke toward the Run position. Wait for the engine to run smoothly before each choke adjustment.

### **⚠ CAUTION**

If you leave the machine plugged into a power outlet, someone can inadvertently start the machine and injure people or damage property.

Unplug the power cord whenever you are not starting the machine.

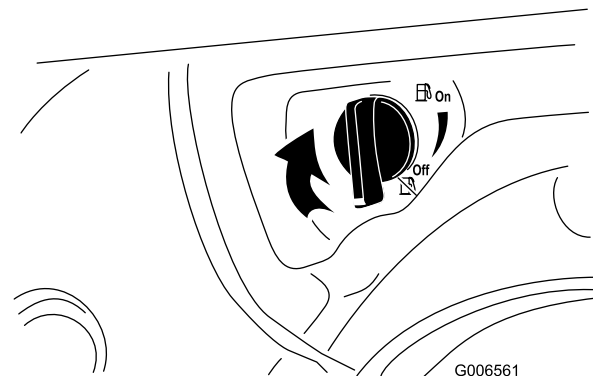
## Stopping the Engine

1. Move the throttle to the Slow position, and then to the Stop position (Figure 33).



**Figure 33**

2. Wait for all moving parts to stop before leaving the operating position.
3. Remove the ignition key.
4. Close the fuel shutoff valve by rotating it clockwise (Figure 34).



**Figure 34**

5. Pull the recoil starter 3 or 4 times. This helps prevent the recoil starter from freezing up.

## Operating the Traction Drive

### **⚠ CAUTION**

If the traction drive is not properly adjusted, the machine may move in the direction opposite of what you intended, causing injury and/or property damage.

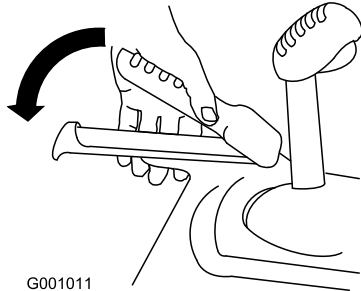
Carefully check the traction drive and adjust it properly, if necessary; refer to Checking the Traction Drive Operation in Setup for more information.

**Important:** If the machine moves when the traction lever is in the released position, check the traction cable (refer to Checking and Adjusting the Traction Cable) or

take the machine to an Authorized Service Dealer for service.

**Important:** To operate the traction drive, you must operate the machine with the self-propel feature engaged. Refer to Freewheeling or Using the Self-propel Drive.

1. To engage the traction drive, squeeze the left hand (traction) lever to the handgrip (Figure 35).



**Figure 35**

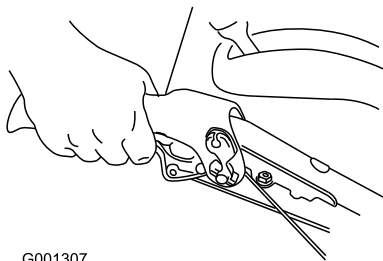
2. To stop the traction drive, release the traction lever.

## Using the Wheel Clutch Levers

The wheel clutch levers allow you to momentarily disengage the drive to one or both wheels with the traction drive lever still engaged. This enables you to turn and maneuver the machine easily.

**Note:** Holding down the traction lever against the handle engages the traction drive to both wheels.

To turn the machine to the right, lift up on the right wheel clutch lever and squeeze it toward the handle (Figure 36).

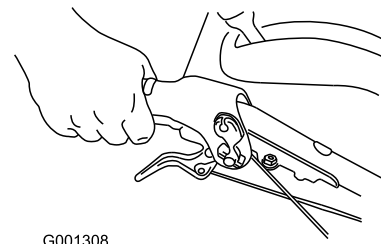


**Figure 36**

**Note:** This disengages the drive to the right wheel while the left wheel continues driving, and the machine turns to the right.

**Note:** Similarly, squeezing the left wheel clutch lever turns the machine to the left.

When you complete the turn, release the wheel clutch lever, and the drive re-engages both wheels (Figure 37).



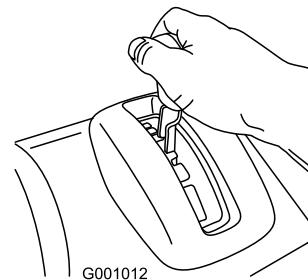
**Figure 37**

Momentarily squeezing and releasing the left or right wheel clutch lever also allows for steering adjustments to keep the machine going in a straight line, especially in deep snow.

Squeezing both wheel clutch levers simultaneously disengages the drive to both wheels. This enables you to manually move the machine backward without stopping to shift it into a reverse gear. It also allows you to maneuver and transport the machine more easily when the engine is not running.

## Operating the Speed Selector

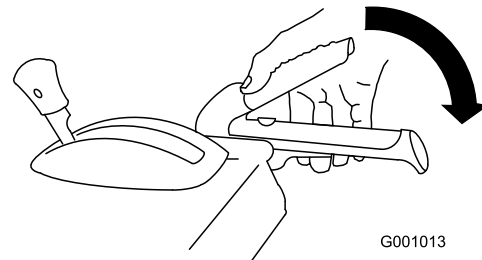
The speed selector has 6 forward and 2 reverse gears. To change speeds, release the traction lever and shift the speed selector lever to the desired position (Figure 38). The lever locks in a notch at each speed selection.



**Figure 38**

## Operating the Auger/Impeller Drive

1. To engage the auger/ impeller drive, squeeze the right hand (auger/ impeller) lever to the handgrip (Figure 39).



**Figure 39**

- To stop the auger and impeller, release the right hand lever.

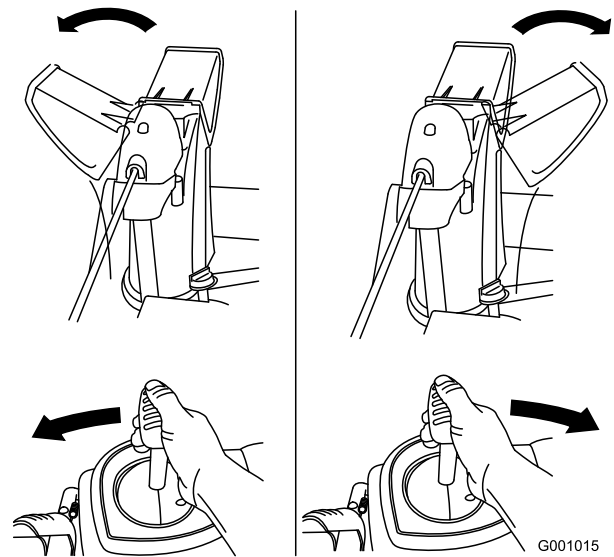
**Important:** When you engage both the auger/impeller lever and the traction lever, the traction lever locks the auger/impeller lever down, freeing your right hand. To release both levers, simply release the left hand (traction) lever.

- If the auger and impeller continue to rotate when you release the auger/impeller lever, do not operate the machine. Check the auger/impeller cable (refer to Checking and Adjusting the Auger/Impeller Cable) and adjust it if necessary. Otherwise, take the machine to an Authorized Dealer for service.

### **⚠ WARNING**

If the auger and impeller continue to rotate when you release the auger/impeller lever, you could seriously injure yourself or others.

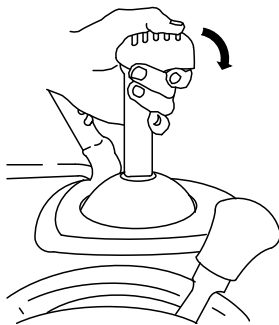
**Do not operate the machine. Take it to an Authorized Service Dealer for service.**



**Figure 41**

## Operating the Quick Stick™

Hold the blue trigger cap down to use the Quick Stick to move the discharge chute and the chute deflector. Release the trigger cap to lock the discharge chute and chute deflector into position (Figure 40).



G001014

**Figure 40**

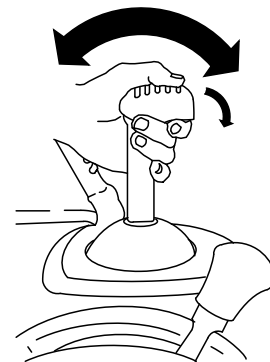
## Moving the Discharge Chute

Hold the blue trigger cap down and move the Quick Stick to the left to move the discharge chute to the left; move the Quick Stick to the right to move the discharge chute to the right (Figure 41).

- If the chute does not move, refer to Adjusting the Discharge Chute Latch.
- If the chute does not turn as far to the left as it does to the right, ensure that the cable is routed to the inside of the handles. Refer to Installing the Upper Handle.
- If the chute does not lock into place when you release the trigger cap, refer to Adjusting the Discharge Chute Latch.

## Moving the Chute Deflector

Hold the blue trigger cap down and move the Quick Stick forward to lower the chute deflector; move it rearward to raise the chute deflector (Figure 42).



G001016

**Figure 42**

# Unclogging the Discharge Chute

## ⚠ WARNING

If the auger/impeller is running but there is no snow coming out of the discharge chute, the discharge chute may be clogged.

Never use your hands to clear a clogged discharge chute. This could result in personal injury.

- To unclog the discharge chute, stay in the operating position and release the left hand (traction) lever. While running the auger/impeller, push down on the handles to raise the front of the machine a few inches (centimeters) off the pavement. Then lift the handles quickly to bump the front of the machine on the pavement. Repeat if necessary until a stream of snow comes out the discharge chute.
- If you cannot unclog the discharge chute by bumping the front of the machine, **stop the engine, wait for all moving parts to stop, and use the snow cleanout tool; never use your hand.**

**Important:** Unclogging the discharge chute by bumping the front of the machine on the pavement may cause the skids to move. Adjust the skids and tighten the skid bolts securely.

# Preventing Freeze-up

- In snowy and cold conditions, some controls and moving parts may freeze. **Do not use excessive force when trying to operate frozen controls.** If you have difficulty operating any control or part, start the engine and let it run for a few minutes.
- After using the machine, let the engine run for a few minutes to prevent moving parts from freezing. Engage the auger/impeller to clear any remaining snow from inside the housing. Rotate the Quick Stick to prevent it from freezing. Stop the engine, wait for all moving parts to stop, and remove all ice and snow from the machine.
- With the engine off, pull the recoil starter handle several times and push the electric-starter button once to prevent the recoil and electric starters from freezing up.

# Operating Tips

## ⚠ DANGER

When the machine is in operation, the impeller and auger can rotate and cut off or injure hands and feet.

- Before adjusting, cleaning, inspecting, troubleshooting, or repairing the machine, stop the engine and wait for all moving parts to stop. Disconnect the wire from the spark plug and keep it away from the plug to prevent someone from accidentally starting the engine.
- **Remove an obstruction from the discharge chute; refer to Unclogging the Discharge Chute. If necessary, use the snow cleanout tool, not your hands, to remove an obstruction from the discharge chute.**
- Stay behind the handles and away from the discharge opening while operating the machine.
- Keep face, hands, feet, and any other part of your body or clothing away from concealed, moving, or rotating parts.

## ⚠ WARNING

The impeller can throw stones, toys, and other foreign objects and cause serious personal injury to the operator or to bystanders.

- **Keep the area to be cleared free of all objects that the auger could pick up and throw.**
- **Keep all children and pets away from the area of operation.**
- Always set the throttle to the Fast position when throwing snow.
- If the engine slows down under a load or the wheels slip, shift the machine into a lower gear.
- If the front of the machine rides up, shift the machine into a lower gear. If the front continues to ride up, lift up on the handles.
- The pivoting scraper on the machine is not recommended for use on gravel surfaces. But if you must use the machine on a gravel surface, adjust the skids further down to prevent the pivoting scraper from picking up rocks.

# Maintenance

**Note:** Determine the left and right sides of the machine from the normal operating position.

## Recommended Maintenance Schedule(s)

Maintenance Service Interval	Maintenance Procedure
After the first 2 hours	<ul style="list-style-type: none"><li>• Inspect the traction cable and adjust it if necessary.</li><li>• Inspect the auger/impeller cable and adjust it if necessary.</li></ul>
After the first 5 hours	<ul style="list-style-type: none"><li>• Change the engine oil.</li></ul>
Before each use or daily	<ul style="list-style-type: none"><li>• Check the engine oil level and add oil if necessary.</li></ul>
Every 25 hours	<ul style="list-style-type: none"><li>• Change the engine oil.</li></ul>
Every 100 hours	<ul style="list-style-type: none"><li>• Replace the spark plug.</li></ul>
Yearly	<ul style="list-style-type: none"><li>• Check the skids and adjust them if necessary.</li><li>• Inspect the traction cable and adjust or replace it if necessary.</li><li>• Inspect the auger/impeller cable and adjust or replace it if necessary.</li><li>• Check the auger gearbox oil and add oil if necessary.</li><li>• Lubricate the hex shaft.</li></ul>
Yearly or before storage	<ul style="list-style-type: none"><li>• Check the air pressure in the tires and inflate them to 17–20 psi (116–137 kPa).</li><li>• Drain the gasoline and run the engine to dry out the fuel tank and the carburetor at the end of the season.</li><li>• Have an Authorized Service Dealer inspect and replace the traction drive belt and/or the auger/impeller drive belt, if necessary.</li></ul>

**Important:** You can find more information about maintaining and servicing your machine at [www.Toro.com](http://www.Toro.com).

**Important:** Refer to your engine operator's manual for additional maintenance procedures. For engine adjustments, repairs, or warranty service not covered in this manual, contact an Authorized Briggs & Stratton Servicing Dealer.

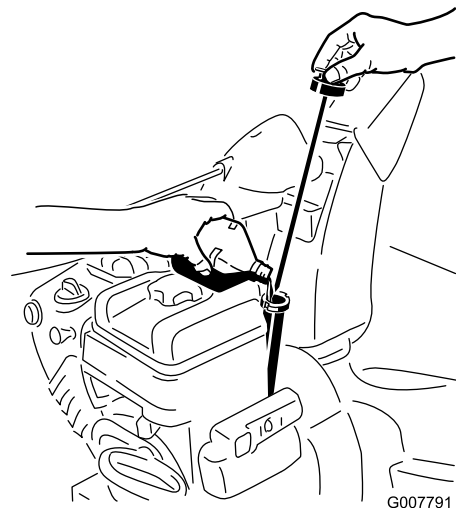
## Preparing for Maintenance

1. Move the machine to a level surface.
2. Stop the engine and wait for all moving parts to stop.
3. Disconnect the spark plug wire. Refer to Replacing the Spark Plug.

## Checking the Engine Oil Level

**Service Interval:** Before each use or daily—Check the engine oil level and add oil if necessary.

1. Remove the dipstick, wipe it clean, then fully install the dipstick.
2. Remove the dipstick and check the oil level (Figure 43). If the oil level is below the Add mark on the dipstick, add oil. Refer to Filling the Engine with Oil.



**Figure 43**

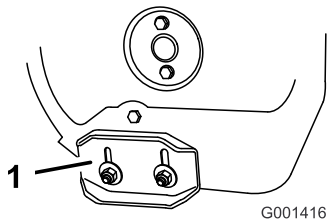
G007791

# Checking and Adjusting the Skids

**Service Interval:** Yearly—Check the skids and adjust them if necessary.

Check the skids to ensure that the auger does not contact the paved or gravel surface. Adjust the skids as needed to compensate for wear.

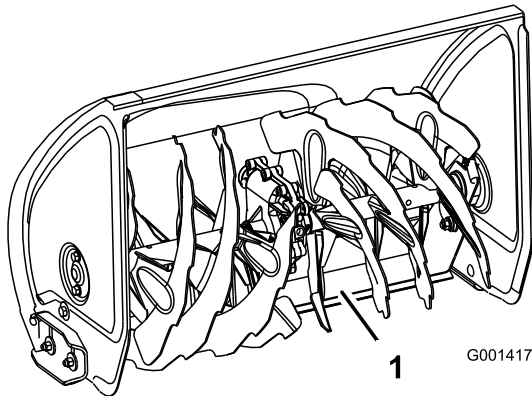
1. Check the tire pressure. Refer to Checking the Tire Pressure.
2. Move the machine to a level surface.
3. Loosen the nuts that secure both skids to the auger sides until the skids slide up and down easily (Figure 44).



**Figure 44**

1. Skid

4. Push down on the handles to allow the pivoting scraper to move fully forward, then set the front of the machine down so that the front edge of the pivoting scraper contacts the ground (Figure 45).



**Figure 45**

1. Pivoting scraper

5. Move the skids down until they are even with the ground.

**Note:** For a smooth surface, you can set the skids slightly higher to increase the scraping action, but set the skids far enough down to prevent the auger blades from contacting the ground.

**Note:** The pivoting scraper on the machine is not recommended for use on gravel surfaces. But if you must use the machine on a gravel surface, adjust the

skids further down to prevent the pivoting scraper from picking up rocks.

6. Firmly tighten the nuts that secure both skids to the auger sides.

**Note:** If the skids become excessively worn, you can turn them over and set the unused side toward the pavement.

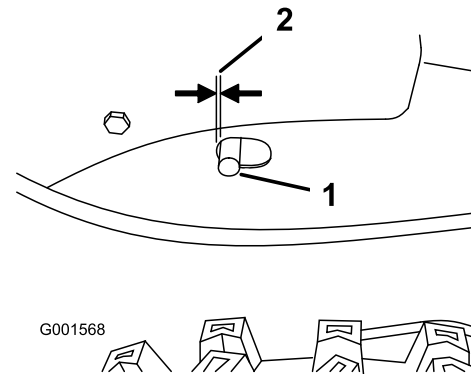
# Checking and Adjusting the Traction Cable

**Service Interval:** After the first 2 hours—Inspect the traction cable and adjust it if necessary.

Yearly—Inspect the traction cable and adjust or replace it if necessary.

If the machine does not drive in the forward or reverse speeds or it drives when you release the traction lever, adjust the traction cable.

With the traction lever disengaged, check the pin in the elongated slot in the left side of the machine above the tire. There should be a gap of 1/32 to 1/16 inch (1 to 1.5 mm) from the front of the slot to the front edge of the pin (Figure 46).

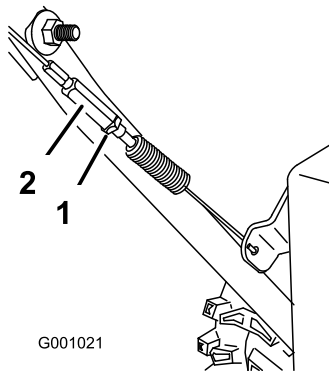


**Figure 46**

1. Pin
2. 1/32 to 1/16 inch (1 to 1.5 mm)

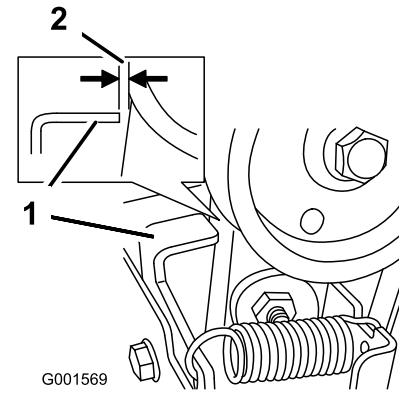
If the left hand (traction) cable is not properly adjusted, do the following steps:

1. Loosen the jam nut.
2. Loosen or tighten the turnbuckle to adjust the pin until it is the proper gap from the front edge of the slot.
3. Tighten the jam nut (Figure 47).



**Figure 47**

1. Jam nut
2. Turnbuckle



**Figure 49**

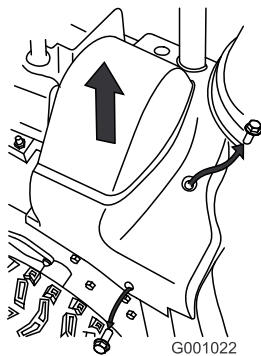
1. Tab
2. 1/16 inch (1.5 mm)

## Checking and Adjusting the Auger/Impeller Cable

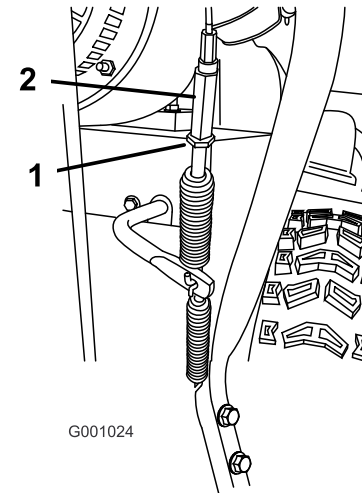
**Service Interval:** After the first 2 hours—Inspect the auger/impeller cable and adjust it if necessary.

Yearly—Inspect the auger/impeller cable and adjust or replace it if necessary.

1. Remove the 2 screws from the right side of the belt cover as shown.
2. Lift up the right side of the belt cover (Figure 48).



**Figure 48**



**Figure 50**

1. Jam nut
2. Turnbuckle

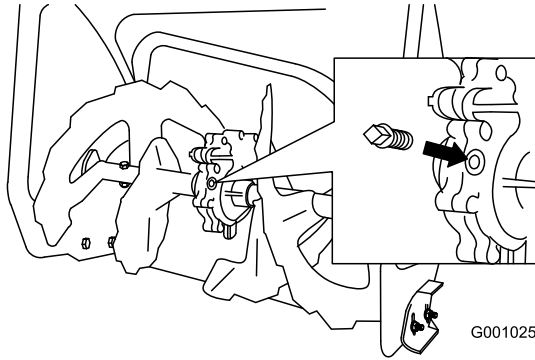
3. With the auger/impeller lever disengaged, ensure that the gap between the auger clutch assembly and the tab is 1/16 inch (1.5 mm) (Figure 49).

4. If the auger/impeller cable is not properly adjusted, do the following steps:
5. Loosen the jam nut (Figure 50).
6. Loosen or tighten the turnbuckle that adjusts the tension on the cable (Figure 50).
7. Adjust the turnbuckle until you obtain the proper gap.
8. Tighten the jam nut.
9. Insert the 2 screws you previously removed on the belt cover.
10. If the auger/impeller cable is properly adjusted but a problem remains, contact an Authorized Service Dealer.

# Checking the Auger Gearbox Oil Level

**Service Interval:** Yearly—Check the auger gearbox oil and add oil if necessary.

1. Move the machine to a level surface.
2. Clean the area around the pipe plug (Figure 51).



**Figure 51**

3. Remove the pipe plug from the gearbox.
4. Check the oil level in the gearbox. The oil should be at the point of overflowing at the filler opening.
5. If the oil level is low, add GL-5 or GL-6, SAE 85-95 EP gear oil lubricant to the gearbox until the point of overflow.

**Note:** Do not use synthetic oil.

6. Install the pipe plug in the gearbox.

# Changing the Engine Oil

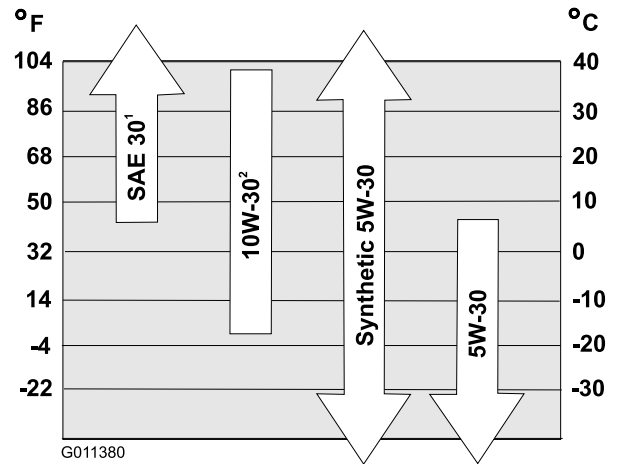
**Service Interval:** After the first 5 hours

Every 25 hours/Yearly (whichever comes first)

If possible, run the engine just before changing the oil because warm oil flows better and carries more contaminants.

Use automotive detergent oil with an API service classification of SF, SG, SH, SJ, SL, or higher. Refer to your engine owner's manual.

Use Figure 52 below to select the best oil viscosity for the outdoor temperature range expected:



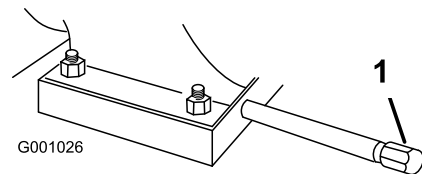
**Figure 52**

1. Using SAE 30 at outdoor temperatures below 40°F (4°C) will result in hard starting.
2. Using 10W-30 at outdoor temperatures above 80°F (27°C) may result in increased oil consumption; therefore, check the oil level more frequently in these circumstances.

## Engine Oil Capacities

Model	Engine Oil Capacity
38680	26 to 28 oz. (0.77 to 0.83 l)

1. Clean the area around the oil drain cap (Figure 53).



**Figure 53**

1. Oil drain cap
2. Slide an oil drain pan under the drain extension and remove the oil drain cap.
3. Drain the oil.

**Note:** Dispose of the used oil properly at a local recycling center.

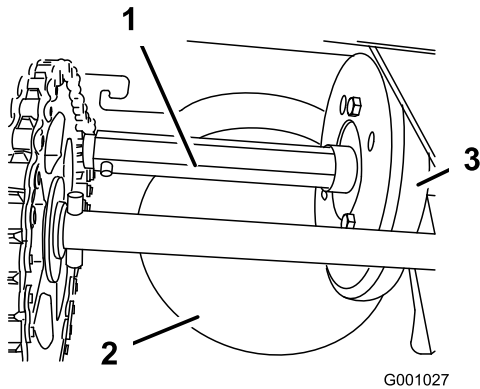


4. Install the oil drain cap.
5. Fill the crankcase with oil. Refer to Filling the Engine Crankcase with Oil.

## Lubricating the Hex Shaft

**Service Interval:** Yearly—Lubricate the hex shaft.

Lightly lubricate the hex shaft yearly with automotive engine oil (Figure 54).

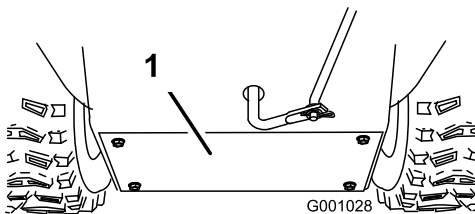


**Figure 54**

- |                            |                 |
|----------------------------|-----------------|
| 1. Hex shaft               | 3. Rubber wheel |
| 2. Aluminum friction plate |                 |

**Important:** Do not get oil on the rubber wheel or the aluminum friction drive plate because the traction drive will slip (Figure 54).

1. Drain the gasoline from the fuel tank.
2. Tip the machine forward onto its auger housing and block it so that it cannot fall.
3. Remove the back cover (Figure 55).



**Figure 55**

1. Back cover

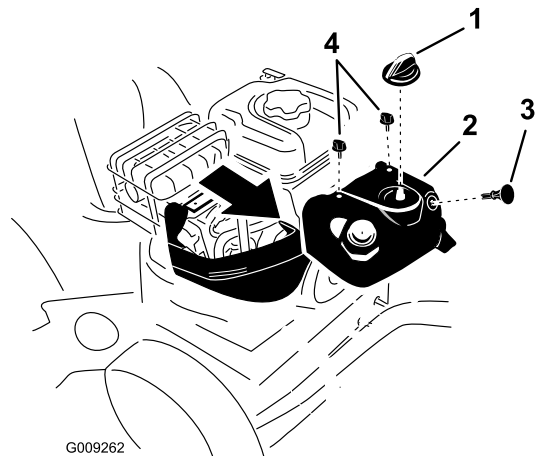
4. Move the speed selector lever to Position R2.
5. Dip your finger in automotive engine oil and **lightly** lubricate hex shaft.
6. Move the speed selector lever to Position 6.
7. Lubricate the other end of the hex shaft.
8. Move the speed selector lever forward and rearward a few times.
9. Install the back cover and return the machine to the operating position.

## Replacing the Spark Plug

**Service Interval:** Every 100 hours—Replace the spark plug.

Use a **Champion QC12YC** or equivalent spark plug.

**Note:** To access the spark plug, you must first remove the upper snow hood (Figure 56).



**Figure 56**

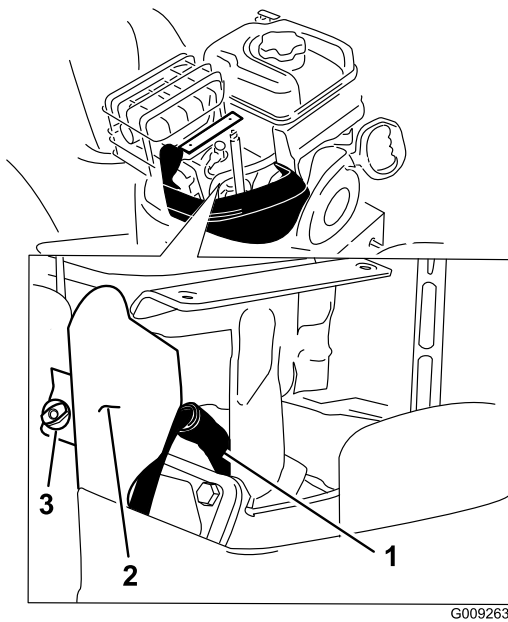
- |                    |                 |
|--------------------|-----------------|
| 1. Choke knob      | 3. Ignition key |
| 2. Upper snow hood | 4. Screw (2)    |

1. Remove the choke knob and the ignition key (Figure 56).
2. Remove the 2 screws that secure the upper snow hood to the machine (Figure 56).
3. **Slowly** remove the upper snow hood, ensuring that the primer bulb hose and the ignition wire remain connected.
4. Remove the bracket thumb screw and the bracket (Figure 57).

# Adjusting the Discharge Chute Latch

If the discharge chute does not lock into the desired position or does not unlock so that you can move it to another position, adjust the discharge chute latch.

1. Remove the fastener on the gear cover (Figure 59), lift the front of the cover up, and slide it back and out of the way.



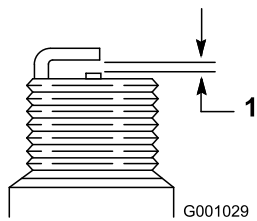
**Figure 57**

1. Spark-plug wire
2. Bracket
3. Thumb screw

5. Clean around the base of the spark plug (Figure 57).
6. Remove and discard the old spark plug.

**Note:** You will need a ratchet wrench extension to remove the spark plug.

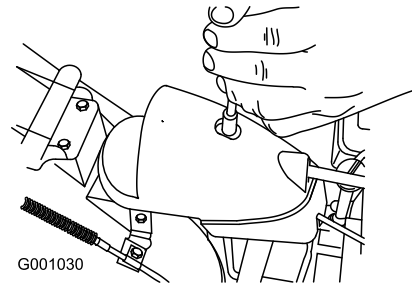
7. Set the gap between the electrodes on a new spark plug at 0.030 inch (0.76 mm) (Figure 58).



**Figure 58**

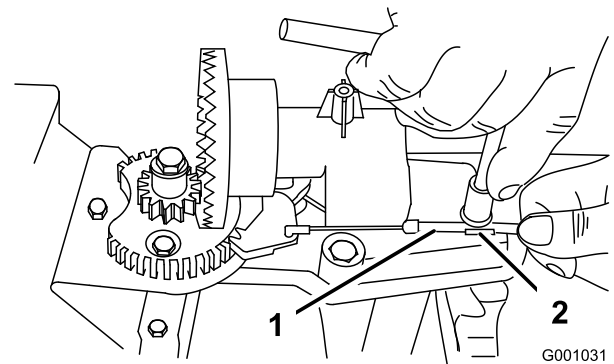
1. 0.030 inch (0.76 mm)

8. Install the new spark plug, tighten it firmly, and attach the ignition wire to the spark plug.
9. Install the bracket with the thumb screw that you removed in step 4.
10. Ensure that the primer bulb hose and the ignition wire are connected and clear of the carburetor bracket.
11. Secure the upper snow hood to the machine with the 2 screws that you previously removed.
12. Align the tab on the choke control knob with the slot on the upper snow hood.
13. Connect the choke control knob to the choke shaft on the carburetor.



**Figure 59**

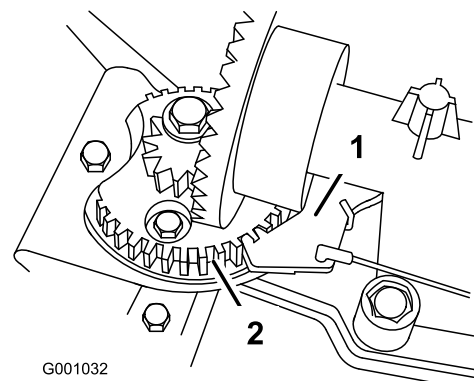
2. Loosen the bolt on the cable clamp (Figure 60).



**Figure 60**

1. Cable conduit
2. Cable clamp

3. Grasp the cable conduit and move it toward the front of the machine until the discharge chute latch fully engages the gear teeth (Figure 60 and Figure 61).



**Figure 61**

1. Discharge chute latch
2. Gear teeth

**Note:** The latch is spring loaded and will naturally move into the teeth of the gear (Figure 61).

4. Remove any slack in the cable by pulling the cable conduit rearward.
5. Tighten the bolt on the cable clamp.
6. Install and secure the gear cover.

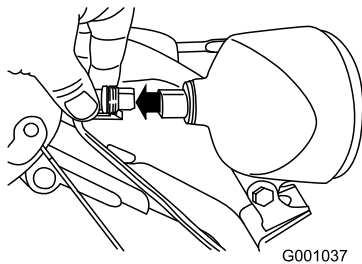
## Replacing the Drive Belts

If the auger/impeller drive belt or the traction drive belt becomes worn, oil-soaked, or otherwise damaged, have an Authorized Service Dealer replace the belt.

## Replacing the Headlight Bulb

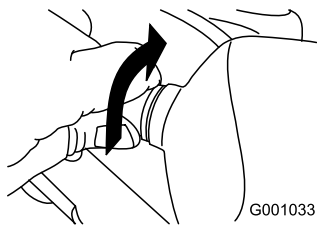
Use a **GE 892 16W halogen light bulb**. Do not touch the bulb with your hands or allow dirt or moisture to come into contact with the bulb.

1. Remove the wire connector from the back of the headlight (Figure 62).



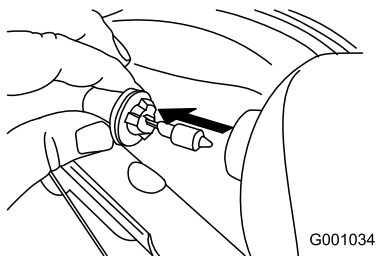
**Figure 62**

2. Turn the base of the bulb counterclockwise until it stops (Figure 63).



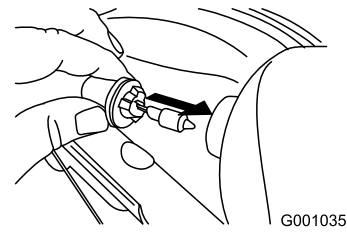
**Figure 63**

3. Remove the bulb straight out from the back of the headlight (Figure 64).



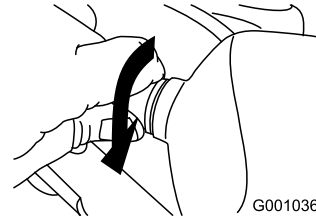
**Figure 64**

4. Insert a new bulb into the back of the headlight (Figure 65).



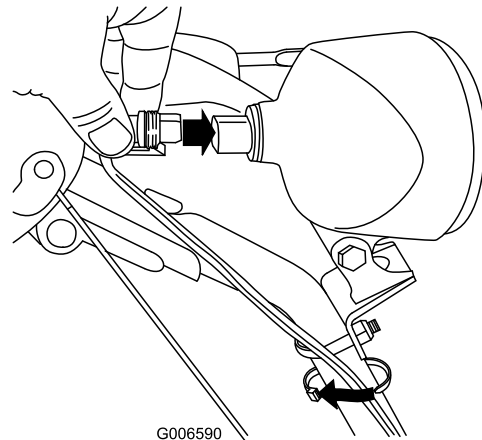
**Figure 65**

5. Turn the base of the bulb clockwise until it is snug (Figure 66).



**Figure 66**

6. Insert the wire connector straight into the back of the headlight until it is securely in place (Figure 67).



**Figure 67**

# Storage

## **⚠ WARNING**

- Gasoline vapors can explode.
- Do not store gasoline more than 30 days.
- Do not store the machine in an enclosure near an open flame.
- Allow the engine to cool before storing it.

## Preparing the Machine for Storage

1. On the last refueling of the year, add fuel stabilizer to fresh fuel as directed by the engine manufacturer.  
**Note:** Fuel should not be stored longer than suggested by the fuel stabilizer manufacturer.
2. Run the engine for 10 minutes to distribute the conditioned fuel through the fuel system.
3. Run the machine until the engine runs out of fuel.
4. Prime the engine and start it again.
5. Allow the engine to run until it stops. When you can no longer start the engine, it is sufficiently dry.
6. Stop the engine and allow it to cool.
7. Remove the ignition key.
8. Clean the machine thoroughly.
9. Touch up chipped surfaces with paint available from an Authorized Service Dealer. Sand affected areas before painting, and use a rust preventative to prevent the metal parts from rusting.
10. Tighten all loose screws, bolts, and locknuts. Repair or replace any damaged parts.
11. Cover the machine and store it in a clean, dry place out of the reach of children.

## Removing the Machine from Storage

1. Remove the spark plug and spin the engine rapidly using the starter to blow the excess oil from the cylinder.
2. Install the spark plug and tighten it firmly.
3. Connect the spark plug wire.
4. Perform the annual maintenance procedures as given in the Recommended Maintenance Schedule.

# Troubleshooting

Problem	Possible Cause	Corrective Action
Electric starter does not turn (electric-start models only)	<ol style="list-style-type: none"> <li>1. The power cord is disconnected at the outlet or the machine.</li> <li>2. The power cord is worn, corroded, or damaged.</li> <li>3. The power outlet is not energized.</li> </ol>	<ol style="list-style-type: none"> <li>1. Connect the power cord to the outlet and/or the machine.</li> <li>2. Replace the power cord.</li> <li>3. Have a qualified electrician energize the outlet.</li> </ol>
Engine does not start or starts hard	<ol style="list-style-type: none"> <li>1. The key is not in the ignition or is in the Stop position.</li> <li>2. The choke is in the Off position and the primer has not been pressed.</li> <li>3. The fuel shutoff valve is not open.</li> <li>4. The throttle is not in the Fast position.</li> <li>5. The fuel tank is empty or the fuel system contains stale fuel.</li> <li>6. The spark plug wire is loose or disconnected.</li> <li>7. The spark plug is pitted, fouled, or the gap is incorrect.</li> <li>8. The fuel vent cap is restricted.</li> <li>9. The engine oil level in the engine crankcase is too low or too high.</li> </ol>	<ol style="list-style-type: none"> <li>1. Insert the key into the ignition and turn it to the On position.</li> <li>2. Move the choke to the On position and press the primer 3 times.</li> <li>3. Open the fuel shutoff valve.</li> <li>4. Move the throttle to the Fast position.</li> <li>5. Drain and/or fill the fuel tank with fresh gasoline (not more than 30 days old). If the problem persists, contact an Authorized Service Dealer.</li> <li>6. Connect the wire to the spark plug.</li> <li>7. Check the spark plug and adjust the gap if necessary. Replace the spark plug if it is pitted, fouled, or cracked.</li> <li>8. Remove the vent restriction or replace the fuel cap.</li> <li>9. Add or drain oil to adjust the oil level in the engine crankcase to the Full mark on the dipstick.</li> </ol>
Engine runs rough	<ol style="list-style-type: none"> <li>1. The choke is in the On position.</li> <li>2. The fuel shutoff valve is not completely open.</li> <li>3. The fuel tank is nearly empty or contains stale fuel.</li> <li>4. The spark plug wire is loose.</li> <li>5. The spark plug is pitted, fouled, or the gap is incorrect.</li> <li>6. The engine oil level in the engine crankcase is too low or too high.</li> </ol>	<ol style="list-style-type: none"> <li>1. Move the choke to the Off position.</li> <li>2. Open the fuel shutoff valve.</li> <li>3. Drain and fill the fuel tank with fresh gasoline (not more than 30 days old). If the problem persists, contact an Authorized Service Dealer.</li> <li>4. Connect the wire to the spark plug.</li> <li>5. Check the spark plug and adjust the gap if necessary. Replace the spark plug if it is pitted, fouled, or cracked.</li> <li>6. Add or drain oil to adjust the oil level in the engine crankcase to the Full mark on the dipstick.</li> </ol>

Problem	Possible Cause	Corrective Action
Engine runs, but the machine discharges snow poorly or not at all	<ol style="list-style-type: none"> <li>1. The throttle is not in the Fast position when throwing snow.</li> <li>2. The machine is moving too fast to clear the snow.</li> <li>3. You are trying to remove too much snow per swath.</li> <li>4. You are trying to remove extremely heavy or wet snow.</li> <li>5. The discharge chute is plugged.</li> <li>6. The auger/impeller drive belt is loose or is off the pulley.</li> <li>7. The auger/impeller drive belt is worn or broken.</li> </ol>	<ol style="list-style-type: none"> <li>1. Move the throttle to the Fast position.</li> <li>2. Shift the machine into a lower gear.</li> <li>3. Reduce the amount of snow removed per swath.</li> <li>4. Don't overload the machine with extremely heavy or wet snow.</li> <li>5. Unclog the discharge chute.</li> <li>6. Install and/or adjust the auger/impeller drive belt; refer to <a href="http://www.Toro.com">www.Toro.com</a> for servicing information or take the machine to an Authorized Service Dealer.</li> <li>7. Replace the auger/impeller drive belt; refer to <a href="http://www.Toro.com">www.Toro.com</a> for servicing information or take the machine to an Authorized Service Dealer.</li> </ol>
Discharge chute either does not lock into place or does not move	<ol style="list-style-type: none"> <li>1. The discharge chute latch is not properly adjusted.</li> </ol>	<ol style="list-style-type: none"> <li>1. Adjust the discharge chute latch.</li> </ol>
The machine does not properly clear the snow off the surface	<ol style="list-style-type: none"> <li>1. The skids and/or scraper are not properly adjusted.</li> <li>2. The pressure in the tires is not equal.</li> </ol>	<ol style="list-style-type: none"> <li>1. Adjust the skids and/or the scraper.</li> <li>2. Check and adjust the pressure in one or both tires.</li> </ol>

**Notes:**

# The Toro Total Coverage Guarantee

A Three-Year Limited Warranty (45 Day Limited Warranty for Commercial Use)

Power Max HD and  
Power Max  
Two-Stage Snowthrowers

## Conditions and Products Covered

The Toro Company and its affiliate, Toro Warranty Company, pursuant to an agreement between them, jointly promise to repair the Toro Product listed below if used for residential purposes\*, if defective in materials or workmanship or if it stops functioning due to the failure of a component for the period listed below.

This warranty covers the cost of parts and labor, but you must pay transportation costs.

The following time periods apply from the date of purchase:

Products	Warranty Period*
Power Max HD and Power Max Snowthrowers and Attachments	3 years
— Power Max HD and Power Max Chute	Guaranteed for Life Warranty (original owner only)
— Power Max HD and Power Max Deflector	Guaranteed for Life Warranty (original owner only)
— Power Max HD and Power Max Anti-Clogging System	Guaranteed for Life Warranty (original owner only)

(Plastic Impeller Housing cover)

## Limited Warranty for Commercial Use

Gas-powered Toro Products used for commercial, institutional, or rental use, are warranted for 45 days against defects in materials or workmanship. Components failing due to normal wear are not covered by this warranty.

## Instructions for Obtaining Warranty Service

If you think that your Toro Product contains a defect in materials or workmanship, follow this procedure:

1. Contact any Authorized Toro Service Dealer to arrange service at their dealership. To locate a dealer convenient to you, refer to the *Yellow Pages* of your telephone directory (look under "Lawn Mowers") or access our web site at [www.Toro.com](http://www.Toro.com). You may also call the numbers listed in item #3 to use the 24-hour Toro Dealer locator system.
2. Bring the product and your proof of purchase (sales receipt) to the Service Dealer. The dealer will diagnose the problem and determine if it is covered under warranty.
3. If for any reason you are dissatisfied with the Service Dealer's analysis or with the assistance provided, contact us at:

Customer Care Department, Consumer Division  
The Toro Company  
8111 Lyndale Avenue South  
Bloomington, MN 55420-1196  
Toll free at 866-336-5205 (U.S. customers)  
Toll free at 866-854-9033 (Canadian customers)

## Countries Other than the United States or Canada

Customers who have purchased Toro products exported from the United States or Canada should contact their Toro Distributor (Dealer) to obtain guarantee policies for your country, province, or state. If for any reason you are dissatisfied with your Distributor's service or have difficulty obtaining guarantee information, contact the Toro importer. If all other remedies fail, you may contact us at Toro Warranty Company.

## Australian Consumer Law

Australian customers will find details relating to the Australian Consumer Law either inside the box or at your local Toro Dealer.

\*Residential purposes means use of the product on the same lot as your home. Use at more than one location, or institutional or rental use, is considered commercial use, and the commercial use warranty would apply.

## Owner Responsibilities

You must maintain your Toro Product by following the maintenance procedures described in the *Operator's Manual*. Such routine maintenance, whether performed by a dealer or by you, is at your expense.

## Items and Conditions Not Covered

There is no other express warranty except for special emission system coverage and engine warranty coverage on some products. This express warranty does not cover the following:

- Cost of regular maintenance service or replacement of wear parts, such as rotor blades (paddles), scraper blades, belts, fuel, lubricants, oil changes, spark plugs, cable/linkage or brake adjustments
- Any product or part which has been altered or misused and requires replacement or repair due to accidents or lack of proper maintenance
- Repairs necessary due to failure to use fresh fuel (less than one month old), or failure to properly prepare the unit prior to any period of non-use over one month
- Pickup and delivery charges
- Operational misuse, neglect, or accidents
- Repairs or attempted repairs by anyone other than an Authorized Toro Service Dealer

## General Conditions

All repairs covered by these warranties must be performed by an Authorized Toro Service Dealer using Toro approved replacement parts. Repair by an Authorized Toro Service Dealer is your sole remedy under this warranty.

**Neither The Toro Company nor Toro Warranty Company is liable for indirect, incidental, or consequential damages in connection with the use of the Toro Products covered by these warranties, including any cost or expense of providing substitute equipment or service during reasonable periods of malfunction or non-use pending completion of repairs under these warranties.**

All implied warranties of merchantability (that the product is fit for ordinary use) and fitness for use (that the product is fit for a particular purpose) are limited to the duration of the expressed warranty.

Some states do not allow exclusions of incidental or consequential damages, or limitations on how long an implied warranty lasts, so the above exclusions may not apply to you.

This warranty gives you specific legal rights, and you may also have other rights which vary from state to state.