



SERVICE PARTS LIST

BULLETIN NO.
54-24-2490

SPECIFY CATALOG NO. AND SERIAL NO. WHEN ORDERING PARTS		REVISED BULLETIN	DATE
Cordless M12™ 3/8" Hammer-Drill			Sept. 2014
CATALOG NO. 2408-20	STARTING SERIAL NO. F11A	WIRING INSTRUCTION SEE PAGE 3	

EXAMPLE:
00 0 Component Parts (Small #)
Are Included When Ordering
The Assembly (Large #).

***** Original Design 42-70-0055
Improved Design 42-70-0058
M12™ tools utilize two different Housing Connection Clip designs depending on the Handle Set. See page two for details.

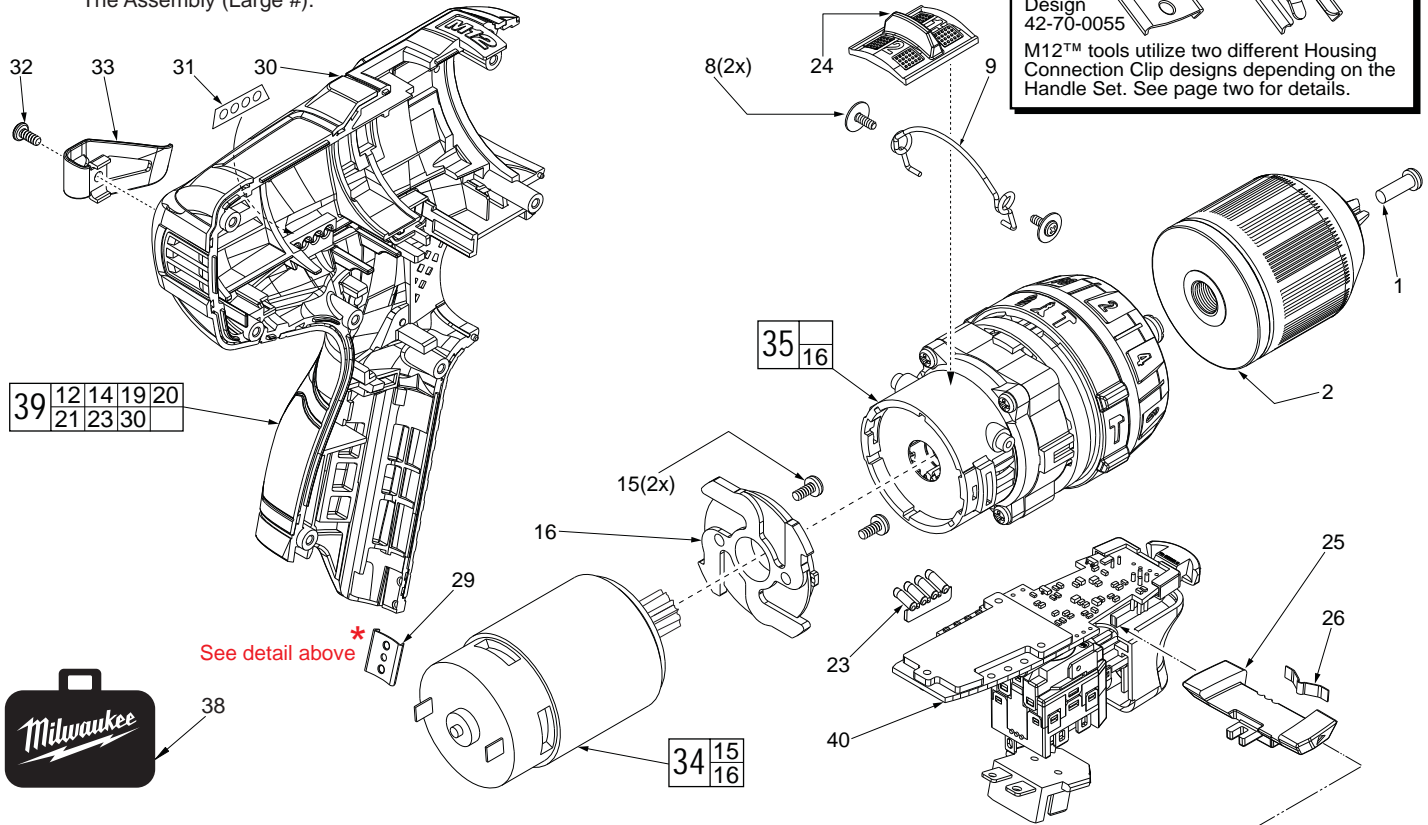
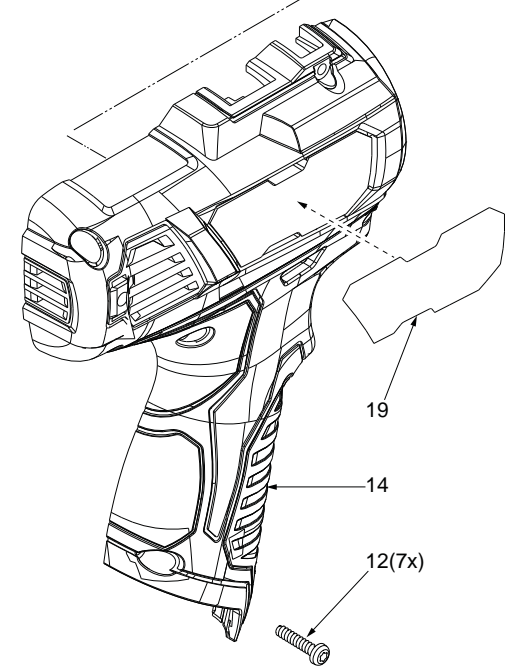
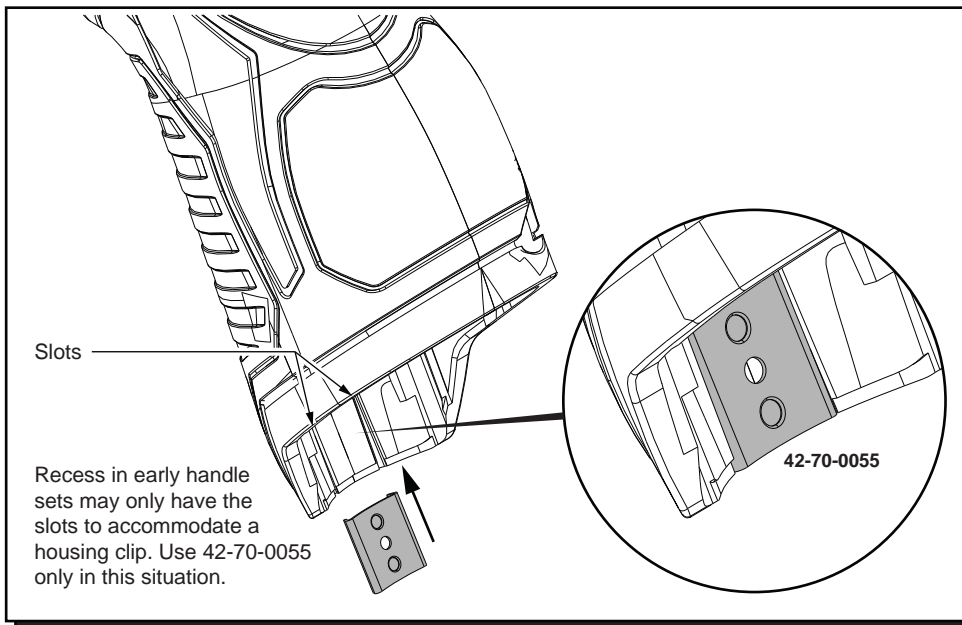


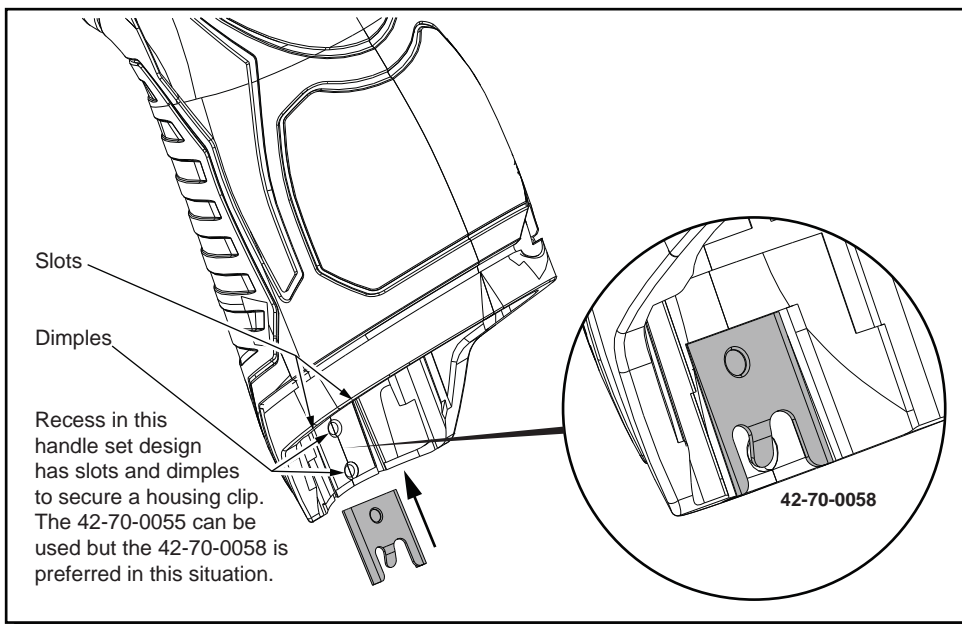
FIG.	PART NO.	DESCRIPTION OF PART	NO. REQ.
1	05-88-1680	M5 x 0.8 x 18.5mm LH Chuck Screw	(1)
2	42-66-0530	3/8" Keyless Chuck	(1)
8	05-81-0542	M2.3 x 4.5mm ST Screw	(2)
9	44-10-0710	Speed Selector Lever	(1)
12	06-82-1080	M3.0 x 14mm Pan Hd. T-10 ST Screw	(7)
14	-----	Housing Cover (Right Handle Halve)	(1)
15	-----	M3 x 6mm Screw	(2)
16	44-66-1585	Motor Mount Plate	(1)
19	12-20-2407	Service Nameplate	(1)
20	10-20-2810	Warning Label (Not Shown)	(1)
23	31-01-0003	Light Pipe	(1)
24	45-24-0325	Speed Selector Slide Button	(1)
25	42-42-0820	Forward/Reverse Shuttle	(1)
26	40-50-1135	Shuttle Spring Plate	(1)
29	42-70-0055	Housing Connection Clip	(1)
30	-----	Housing Support (Left Handle Halve)	(1)
31	-----	Fuel Gauge Label	(1)
32	05-88-1010	M2.5 x 6mm Pan Hd. Phillips Screw	(1)
33	42-70-0580	Belt Clip	(1)
34	14-50-2435	Service Motor Assembly with Pinion	(1)
35	14-29-0935	Service Gearcase Assembly	(1)
38	42-55-2105	Carrying Case	(1)
39	14-38-0250	Service Housing Set	(1)
40	23-66-1795	Service Switch/Electronics Assembly	(1)

FIG. NOTES:
16,34,35 Service replacement gearcase assembly (35) comes with a motor mount plate (16) that must be removed and discarded when servicing. A motor mount plate already exists on the motor assembly (34).

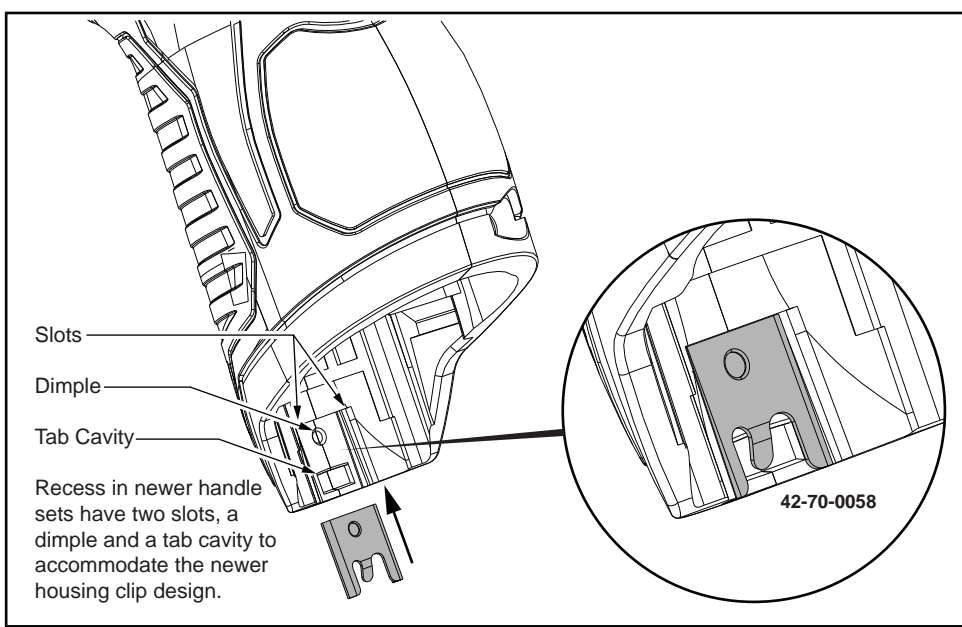




Early M12™ Handle Sets utilize **Housing Connection Clip No. 42-70-0055**. Install this clip design by aligning the side rails of the clip with the two slots in the handle set. Gently push into place with the aid of a small flat blade screwdriver or a similar instrument. Be sure that the clip is properly seated in both slots and that the clip is flush to sub-flush to the end of the handle set. To remove the clip, use the same small flat blade screwdriver or a similar instrument and push the clip out of the handle set. If the clip is loose or will not stay in place, a needle nose pliers can be used to gently bend/pinch the side rails of the clip. If the clip is damaged do not use, replace with a new 42-70-0055 housing clip.

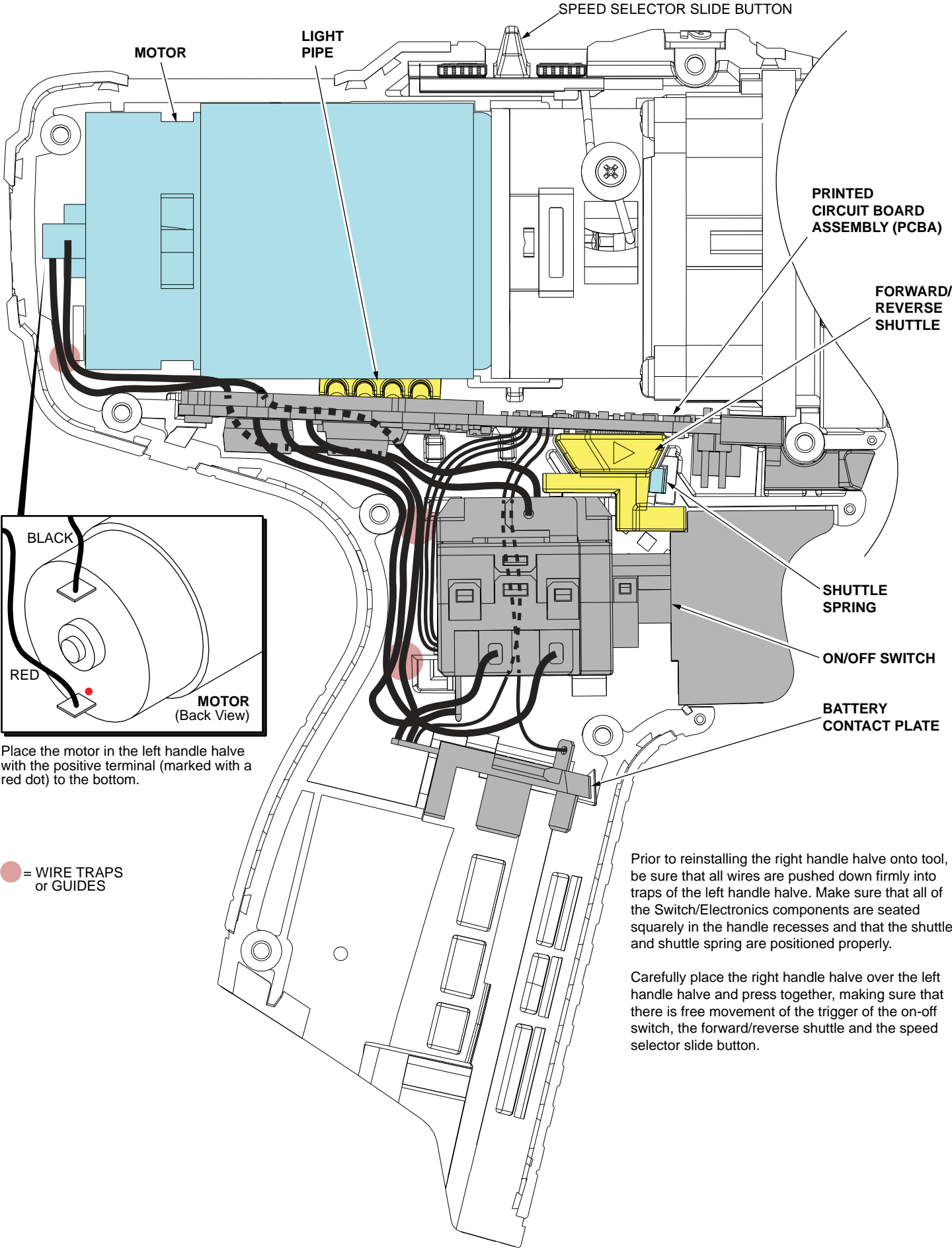


Updated M12™ Handle Sets utilize **Housing Connection Clips No. 42-70-0055 and 42-70-0058. (The 42-70-0058 is a preferred upgrade)**. Install this clip design by aligning the side rails of the clip with the two slots in the handle set. Gently push into place with the aid of a small flat blade screwdriver or a similar instrument. Be sure that the clip is properly seated in both slots and that the tab of the clip snaps down in the round dimpled cavity of the handle set. Be sure that the clip is flush to sub-flush to the end of the handle set. To remove the clip, use the same small flat blade screwdriver or a similar instrument and lift up on the clip tab while pushing the clip out of the handle set. Use a needle nose pliers to gently rebend the clip tab if necessary. If the tab on the clip is damaged during this process and is loose or will not stay in place, replace with a new 42-70-0058 clip.



Newer M12™ Handle Sets utilize **Housing Connection Clip No. 42-70-0058**. Install this clip design by aligning the side rails of the clip with the two slots in the handle set. Gently push into place with the aid of a small flat blade screwdriver or a similar instrument. Be sure that the clip is properly seated in both slots and that the tab of the clip snaps down in the rectangular cavity of the handle set. Be sure that the clip is flush to sub-flush to the end of the handle set. To remove the clip, use the same small flat blade screwdriver or a similar instrument and lift the clip tab out of the cavity while pushing the clip out of the handle set. Use a needle nose pliers to gently rebend the clip tab if necessary. If the tab on the clip is damaged during this process and is loose or will not stay in place, replace with a new 42-70-0058 clip.

AS AN AID TO REASSEMBLY, TAKE NOTICE OF WIRE ROUTING AND POSITION IN WIRE GUIDES AND TRAPS WHILE DISMANTLING TOOL



Place the motor in the left handle halve with the positive terminal (marked with a red dot) to the bottom.

● = WIRE TRAPS or GUIDES

Prior to reinstalling the right handle halve onto tool, be sure that all wires are pushed down firmly into traps of the left handle halve. Make sure that all of the Switch/Electronics components are seated squarely in the handle recesses and that the shuttle and shuttle spring are positioned properly.

Carefully place the right handle halve over the left handle halve and press together, making sure that there is free movement of the trigger of the on-off switch, the forward/reverse shuttle and the speed selector slide button.